



PARTS MANUAL

ASHLAND 2411-3413E GEN2 SCRAPER

MODEL: 002
VERSION: 1.05

TABLE OF CONTENTS

- | | | | | | | |
|--------------------------------------|-------------------------------------|------------------------------------|--------------------------------------|-----------------------------|----------------------------|-------------------------------------|
| 1
Structural
Components | 2
Hydraulic
Components | 3
Hydraulic
Cylinders | 4
Electrical
Components | 5
Decal
Layout | 6
Spiral
Wrap | 7
Cutting Edge
Options |
|--------------------------------------|-------------------------------------|------------------------------------|--------------------------------------|-----------------------------|----------------------------|-------------------------------------|

2411E
2811E
3013E
3413E

SECTION 1.00

BOLT TORQUE SPECIFICATIONS

Recommended Torque Specifications Unless Otherwise Specified.

STANDARD/PLOW/CARRIAGE BOLTS

BOLT SIZE	THREAD PER INCH	GRADE 2				GRADE 5				GRADE 8			
		DRY		LUBRICATED		DRY		LUBRICATED		DRY		LUBRICATED	
		ft/lbs	Nm	ft/lbs	Nm	ft/lbs	Nm	ft/lbs	Nm	ft/lbs	Nm	ft/lbs	Nm
1/4	20	5.5	7.4	4.1	5.6	9.5	12.9	7.2	9.7	12	16.2	9	12.1
1/4	28	6.3	8.5	4.7	6.4	10.9	14.8	8.2	11.1	14	18.5	10	13.9
5/16	18	11	15.3	8	11.5	20	26.6	15	20.0	25	33.3	18	25.0
5/16	24	13	17.0	9	12.7	22	29.5	16	22.1	27	36.9	20	27.6
3/8	16	20	27.2	15	20.4	35	47.3	26	35.5	44	59.1	33	44.3
3/8	24	23	30.8	17	23.1	40	53.6	30	40.2	49	67.0	37	50.2
7/16	14	32	43.5	24	32.6	56	75.7	42	56.7	70	94.6	52	70.9
7/16	20	36	48.6	27	36.4	62	84.5	47	63.4	78	105.6	58	79.2
1/2	13	49	66.4	37	49.8	85	115.4	64	86.6	106	144.3	80	108.2
1/2	20	55	74.8	41	56.1	96	130.1	72	97.6	120	162.6	90	121.9
5/8	11	97	132.1	73	99.1	170	229.8	127	172.4	212	287.3	159	215.4
5/8	18	110	149.7	83	112.3	192	260.3	144	195.2	240	325.4	180	244.0
3/4	10	173	234.3	130	175.8	301	407.6	225	305.7	376	509.4	282	382.1
3/4	16	193	261.7	145	196.3	336	455.1	252	341.4	420	568.9	315	426.7
7/8	9	243	328.9	182	246.6	485	657.7	364	493.3	606	822.1	455	616.6
7/8	14	267	362.3	200	271.7	534	724.6	401	543.5	668	905.8	501	679.3
1	8	364	493.0	273	369.7	636	862.7	477	647.0	909	1232.4	682	924.3
1	12	398	539.3	298	404.5	696	943.9	522	707.9	995	1348.4	746	1011.3
1 1/4	7	727	985.3	545	739.0	1272	1724.3	954	1293.3	1817	2463.4	1363	1847.5
1 1/4	12	805	1091.1	604	818.3	1408	1909.4	1056	1432.1	2012	2727.7	1509	2045.8
1 1/2	6	1265	1714.4	948	1285.8	2213	3000.3	1660	2250.2	3161	4286.1	2371	3214.6
1 1/2	12	1423	1929.2	1067	1446.9	2490	3376.1	1868	2532.1	3557	4823.0	2668	3617.2
2	4.5	3000	4067.5	2250	3050.6	5250	7118.0	3938	5338.5	7500	10168.6	5625	7626.5
2	8	3324	4506.7	2493	3380.1	3878	5257.9	2909	3943.4	8310	11266.8	6233	8450.1

SOCKET HEAD BOLTS

BOLT SIZE	THREAD PER INCH	GRADE 8			
		DRY		LUBRICATED	
		ft/lbs	Nm	ft/lbs	Nm
1/4	20	14	19.0	10	13.6
1/4	28	16	21.7	12	16.3
5/16	18	29	39.3	22	29.8
5/16	24	32	43.4	24	32.5
3/8	16	51	69.1	28	38.0
3/8	24	58	78.6	43	58.3
7/16	14	81	109.8	61	82.7
7/16	20	91	123.4	68	92.2
1/2	13	124	168.1	93	126.1
1/2	20	140	189.8	105	142.4
5/8	11	238	322.7	179	242.7
5/8	18	270	366.1	202	273.9
3/4	10	423	573.5	317	429.8
3/4	16	472	639.9	354	480.0

LAG BOLTS

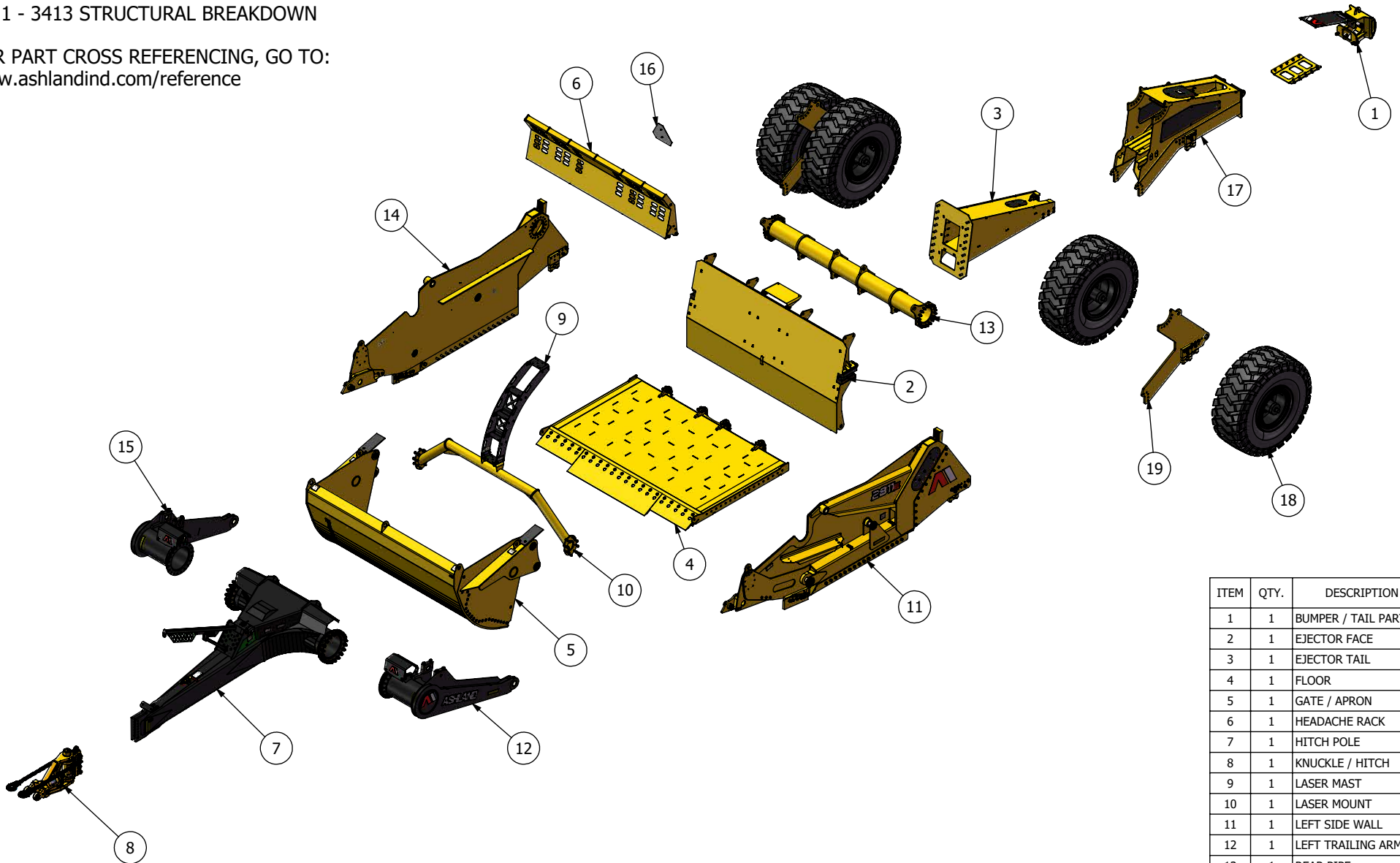
BOLT SIZE	THREAD PER INCH	GRADE 2	
		DRY	
		ft/lbs	Nm
5/8	5	50	67.8

SECTION 1.00

STRUCTURAL

2411 - 3413 STRUCTURAL BREAKDOWN

FOR PART CROSS REFERENCING, GO TO:
www.ashlandind.com/reference



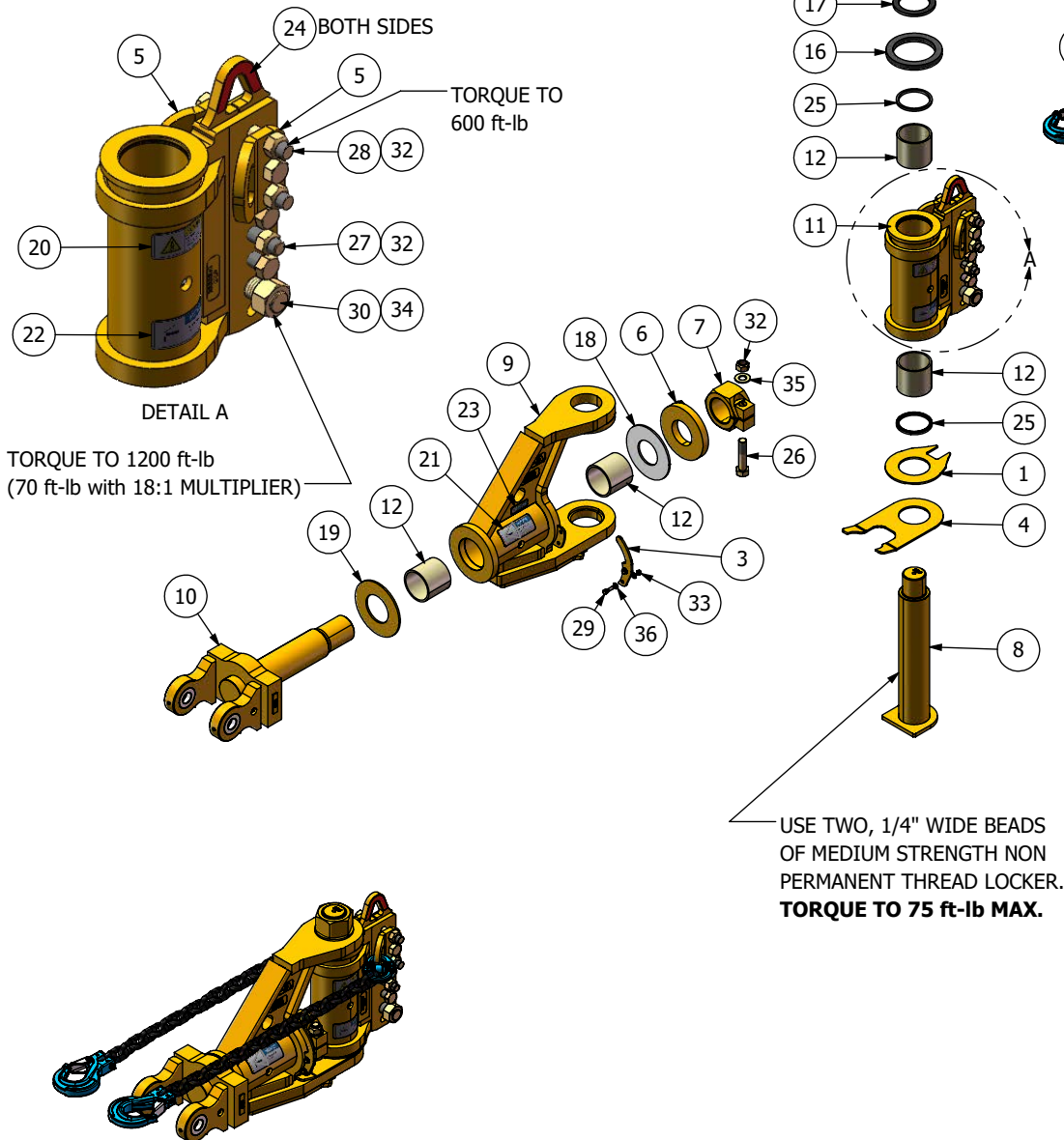
SHOWING OVERALL SCRAPER COMPONENTS.
 BE SURE TO REFERENCE YOUR MODEL SPECIFIC ASSEMBLY.

ITEM	QTY.	DESCRIPTION
1	1	BUMPER / TAIL PARTS
2	1	EJECTOR FACE
3	1	EJECTOR TAIL
4	1	FLOOR
5	1	GATE / APRON
6	1	HEADACHE RACK
7	1	HITCH POLE
8	1	KNUCKLE / HITCH
9	1	LASER MAST
10	1	LASER MOUNT
11	1	LEFT SIDE WALL
12	1	LEFT TRAILING ARM
13	1	REAR PIPE
14	1	RIGHT SIDE WALL
15	1	RIGHT TRAILING ARM
16	1	SMV SIGN
17	1	TAIL
18	4	TIRE AND RIM
19	2	WHEEL TRUSS

SECTION 1.01

STRUCTURAL

2411-3413 KNUCKLE/HITCH
(311100035-R1 KIT)



ITEM	QTY.	PART NUMBER	ALT. P.N.	DESCRIPTION
1	1	101000106_cm_K		GREASE THRUST WASHER, VERTICAL PIN, K-TEC HITCH
2	1	101001956_c_K-CY		VERTICAL PIN WASHER, K-TEC HITCH
3	2	101009913_c_K-CY		CHAIN KEEPER, K-TEC HITCH
4	1	101009914_cb_K-CY		KNUCKLE THRUST WASHER, K-TEC HITCH
5	2	101010052_cvb_H-CY		SAFE CHAIN EAR, K-TEC HITCH
6	1	301000053_w_K-CY		WASHER WITH NUT KEEPER, K-TEC HITCH
7	1	301000054_wms_K-CY		YOKE NUT, K-TEC HITCH
8	1	301002676_w_K-CY		VERTICAL PIN, K-TEC HITCH
9	1	301002712_wm2K-CY		BODY, K-TEC HITCH
10	1	301003258_w_K-CY		AI SPACING / 1.5" YOKE, K-TEC HITCH
11	1	301004503_wm-CY		HITCH BRACKET, K-TEC HITCH AI YOKE
12	4	404000009		POLY BUSHING: 4.00" ID X 4.50" OD X 4.00"
13	2	405500014		5/8" GR. 100 COUPLING LINK
14	2	405500015		SAFETY CHAIN HOOK, K-TEC HITCH
15	2	405500032		CHAIN GR. 100 21 LINKS, K-TEC HITCH
16	1	409000021		SEAL .75"-7.25" OD-5.50" ID
17	1	409000022		SEAL .375"- 5.50" OD- 4.06" ID
18	1	409000034		THRUST WASHER .25"- 7.75" OD - 3.50" ID
19	1	409000100		THRUST WASHER 0.250" x 8.00" OD x 4.063" ID
20	1	411000041		DECAL CAUTION LIFT POINT
21	1	411000046		DECAL NOTICE GREASE POINT
22	1	411000046		DECAL NOTICE GREASE POINT
23	1	411000102		DECAL TIE-DOWN
24	2	411000206		DECAL V
25	2	422000003		SEAL: 4" PIN
26	1	BLT8C_1x4_1-2	AFB-00194	BOLT GR. 8 UNC 1" X 4-1/2"
27	3	BLT8C_1x5_1-2		BOLT GR. 8 UNC 1" x 5-1/2"
28	3	BLT8C_1x7	AFB-00096	BOLT GR. 8 UNC 1" X 7"
29	4	BLT8C_3-8x1_1-4		BLT8C_3-8x1_1-4
30	1	BLT8F_1_1-2x5_1-2		HHCS: 1.5 NC X 5.5
31	1	NUT2C_3_m_N-CY		NUT: GR 2. UNC 3" MACHINED AND PAINTED
32	7	NUT8C_1_STL	AFN-00037	STOVER NUT: 1" UNC
33	4	NUT8C_3-8_STL		NUT: STOVER, 3/8" UNC
34	1	NUT8F_1_1-2		NUT: 1.5 NF
35	1	WSH8_1_STR	AFW-00011	1" STRUCTURAL WASHER
36	8	WSH8_3-8_STR		WASHER GR. 8 - 3/8" STRUCTURAL

SECTION 1.01 KITS



301100100-R3 Kit	
QTY	DESCRIPTION
4	Bolt Gr. 8 UNC 3/8" x 1-1/4"
2	Comp Bushing 4.00" ID x 4.50" OD x 4.00"
1	Decal - Notice Grease Daily
1	Decal - Safety Tie Down
1	Knuckle Frame
2	Knuckle, Chain Keeper
1	Knuckle, Thrust Washer
4	Nut Gr. 8 UNC 3/8" Stover Lock
1	Seal .375"- 5.50" OD- 4.06" ID
1	Seal .75"-7.25" OD-5.50" ID
1	Seal 4" Pin
8	Washer Gr. 8 - 3/8" Structural

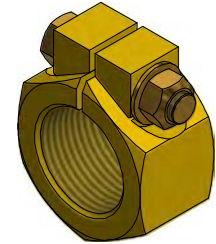


301100103 Kit	
QTY	DESCRIPTION
1	Nut Gr. 2 UNC 3" Machined and Painted
1	Pin Vertical_4" (PG shaft induction hardend)
1	Washer_knuckle_vert.pin

IF YOU HAVE SAFETY CHAINS,
USE LONGER INCLUDED BOLTS.



301100104-R4 Kit	
QTY	DESCRIPTION
6	Bolt Gr. 8 UNC 1" x 5-1/2"
3	Bolt Gr. 8 UNC 1" x 7"
1	Bolt Gr. 8 UNF 1-1/2" x 5-1/2"
2	Comp Bushing 4.00" ID x 4.50" OD x 4.00"
1	Decal - Caution Lift Point
2	Decal - Lift Hook Highlight, Knuckle
1	Decal - Notice Grease Daily
1	Grease_Thrust_Washer_Vertical .pin
9	Nut Gr. 8 UNC 1" Stover Lock
1	Nut Gr. 8 UNF 1-1/2"
1	Seal 4" Pin
1	Vertical Bushing Weldment



301100248 Kit	
QTY	DESCRIPTION
1	Bolt Gr. 8 UNC 1" x 4-1/2"
1	Nut Gr. 8 UNC 1" Stover Lock
1	Thrust Nut (Knuckle)
1	Washer Gr. 8 - 1" Structural



21 LINK SAFETY CHAINS

301100268-R1 Kit	
QTY	DESCRIPTION
2	5/8" Grade 100 Clevis Sling Hook
2	5/8" Grade 100 Coupling Link
3	Bolt Gr. 8 UNC 1" x 7"
2	Chain Grade 100 5/8" 21 Links
2	Knuckle_Safety Chain Ear
3	Nut Gr. 8 UNC 1" Stover Lock

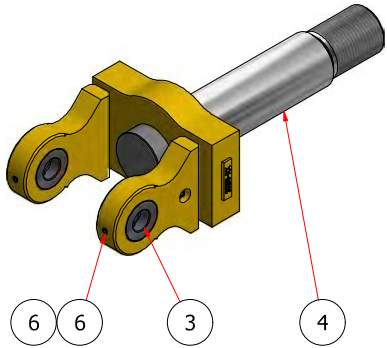


24 LINK SAFETY CHAINS

301100260-R2 Kit	
QTY	DESCRIPTION
2	5/8" Grade 100 Clevis Sling Hook
2	5/8" Grade 100 Coupling Link
3	Bolt Gr. 8 UNC 1" x 7"
2	Chain Grade 100 5/8" 24 Links
2	Knuckle_Safety Chain Ear
3	Nut Gr. 8 UNC 1" Stover Lock

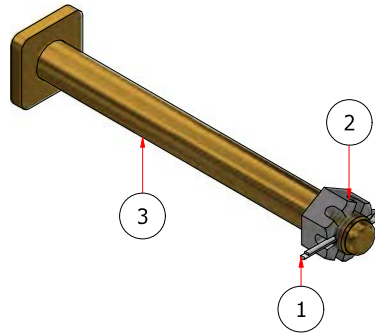
SECTION 1.01 KITS

ASHLAND YOKE

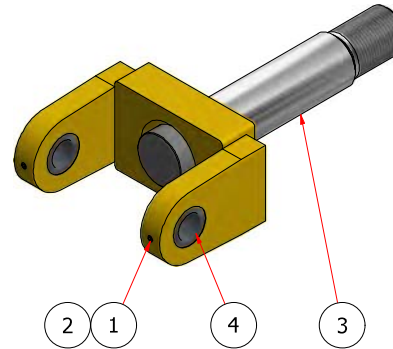


Pin Not Included, Sold Separately

STANDARD 1.5" PIN

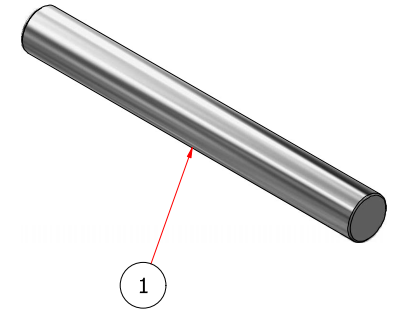


K-TEC



Pin Not Included, Sold Separately

Pin for K-Tec Yoke (ONLY USED WITH K-TEC DRAWBARS)



301003258-R2

ITEM	QTY	PART NUMBER	REV	DESCRIPTION
4	1	201004500_sm_K	3	Shaft for AI Spaced K-Tec Yoke
3	2	211000217_smh_K	0	Yoke, Bushing 1.5" ID 3" OD
6	4	405000121	0	SSS CN 1/2-13 UNC x 5/8"

311100010 Kit

ITEM	QTY	PART NUMBER	REV	DESCRIPTION
1	1	405000002	0	Cotter Pin 1/4" x 3"
2	1	NUT5C_1_1-2 CSTL	0	Nut Gr. 5 UNF 1-1/2" Castle
3	1	311000171_w_PIN	0	PIN ASSY, HITCH 4-EAR

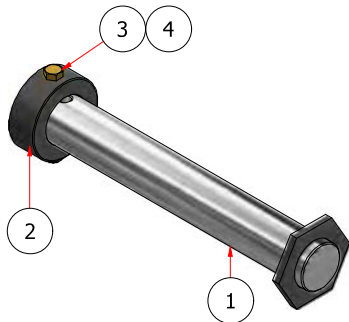
301004500-R2

ITEM	QTY	PART NUMBER	REV	DESCRIPTION
1	2	405000121	0	SSS CN 1/2-13 UNC x 5/8"
2	2	405000122	0	SetScrew 1/2-13 UNC x 3/4" L
3	1	201004500_sm_K	3	Shaft_knuckle longitudinal
4	2	201004041_smh_K	0	Yoke, K-Tec Bushing

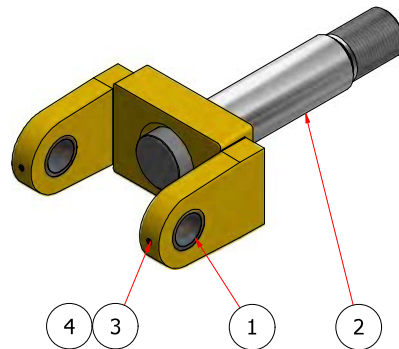
205001668

ITEM	QTY	PART NUMBER	REV	DESCRIPTION
1	1	205001668_s	1	Pin K-Tec Yoke 2" x 17.25"

HITCH PIN, JD 60MM

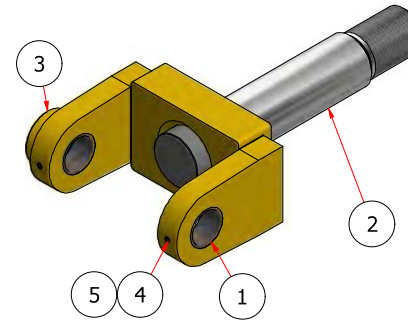


JD 60mm



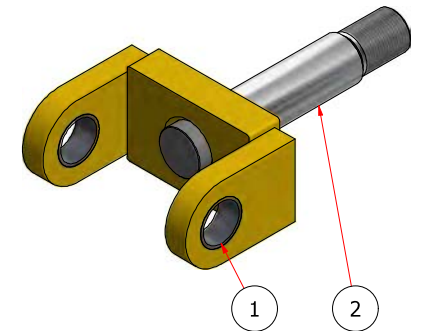
Pin Not Included, Supplied By Customer

JD 65mm



Pin Not Included, Supplied By Customer

E-Ject



Pin Not Included, Supplied By Customer

311100022 Kit

ITEM	QTY	PART NUMBER	REV	DESCRIPTION
1	1	311000465_w_PIN	0	WELDMENT, HITCH PIN
2	1	211000072_sm-CG	0	KEEPER, PIN
3	1	BLT8C_1-2x4_1-2	0	Bolt Gr. 8 UNC 1/2" x 4-1/2"
4	1	NUT8C_1-2_STL	0	Nut Gr. 8 UNC 1/2" Stover Lock

301003261-R1

ITEM	QTY	PART NUMBER	REV	DESCRIPTION
1	2	201001950_smh3K	2	Yoke, JD 60mm Bushings
2	1	201004500_sm_K	3	Shaft_knuckle longitudinal
3	2	405000121	0	SSS CN 1/2-13 UNC x 5/8"
4	2	405000122	0	SetScrew 1/2-13 UNC x 3/4" L

301100249-R1 Kit (301003260 Yoke)

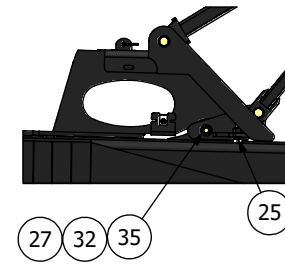
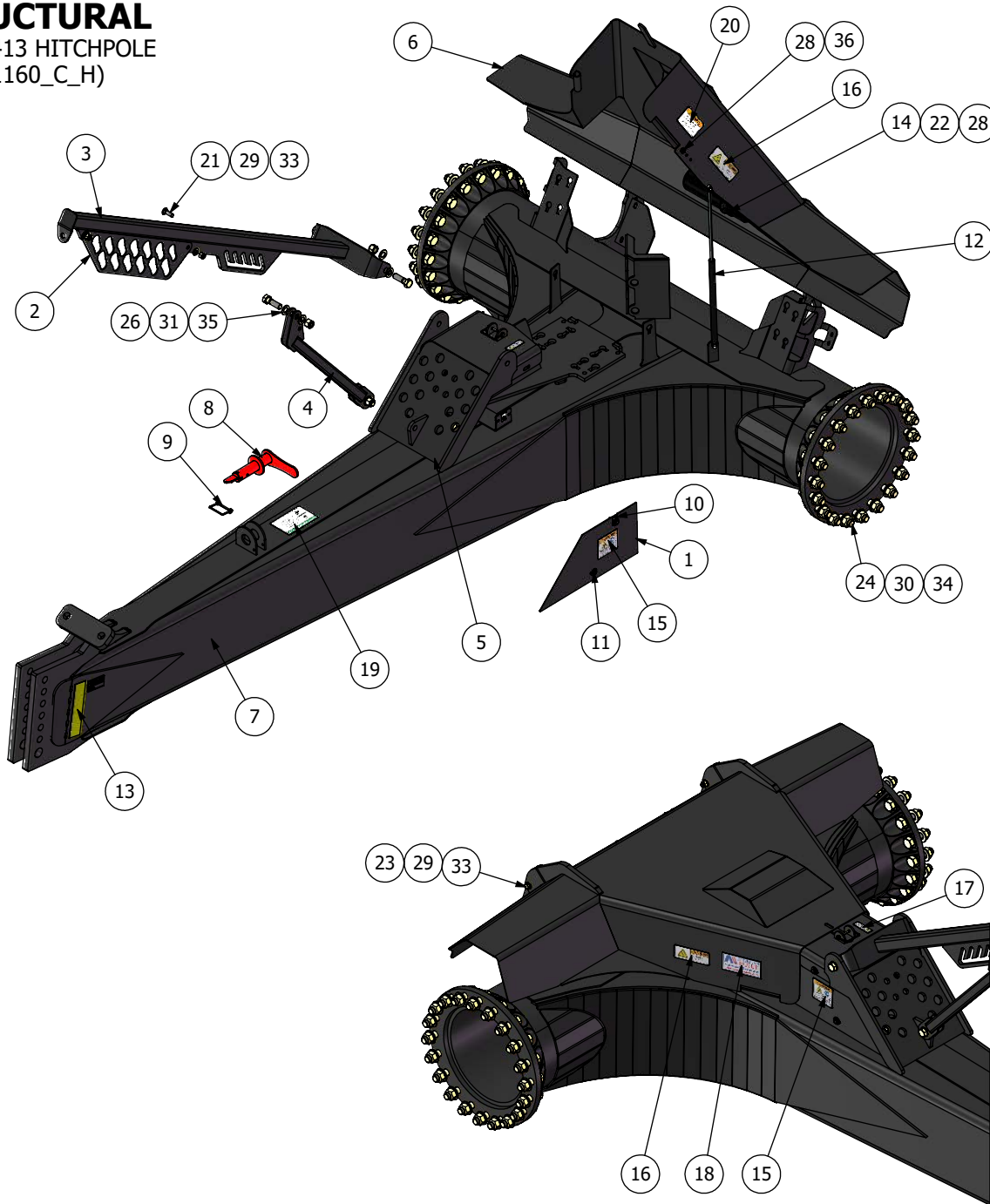
ITEM	QTY	PART NUMBER	REV	DESCRIPTION
1	2	201001939_smh3K	2	Yoke, JD 65mm Bushings
2	1	201004500_sm_K	3	Shaft_knuckle longitudinal
3	1	205050002_sm-CY	1	J.D 65mm pin spacer
4	2	405000121	0	SSS CN 1/2-13 UNC x 5/8"
5	2	405000122	0	SetScrew 1/2-13 UNC x 3/4" L

301003259

ITEM	QTY	PART NUMBER	REV	DESCRIPTION
1	2	201002114_smh_K	1	HT Wear Bushing Eject Yoke
2	1	201004500_sm_K	3	Shaft_knuckle longitudinal

SECTION 1.02

STRUCTURAL 2411-3413 HITCHPOLE (311001160_C_H)

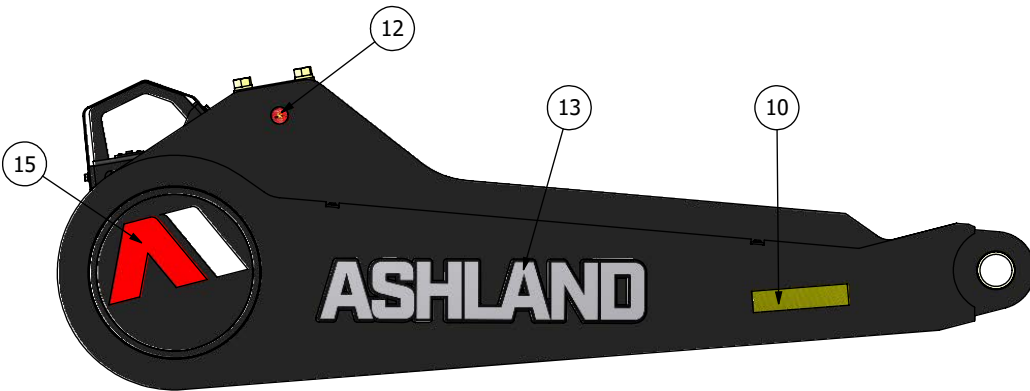
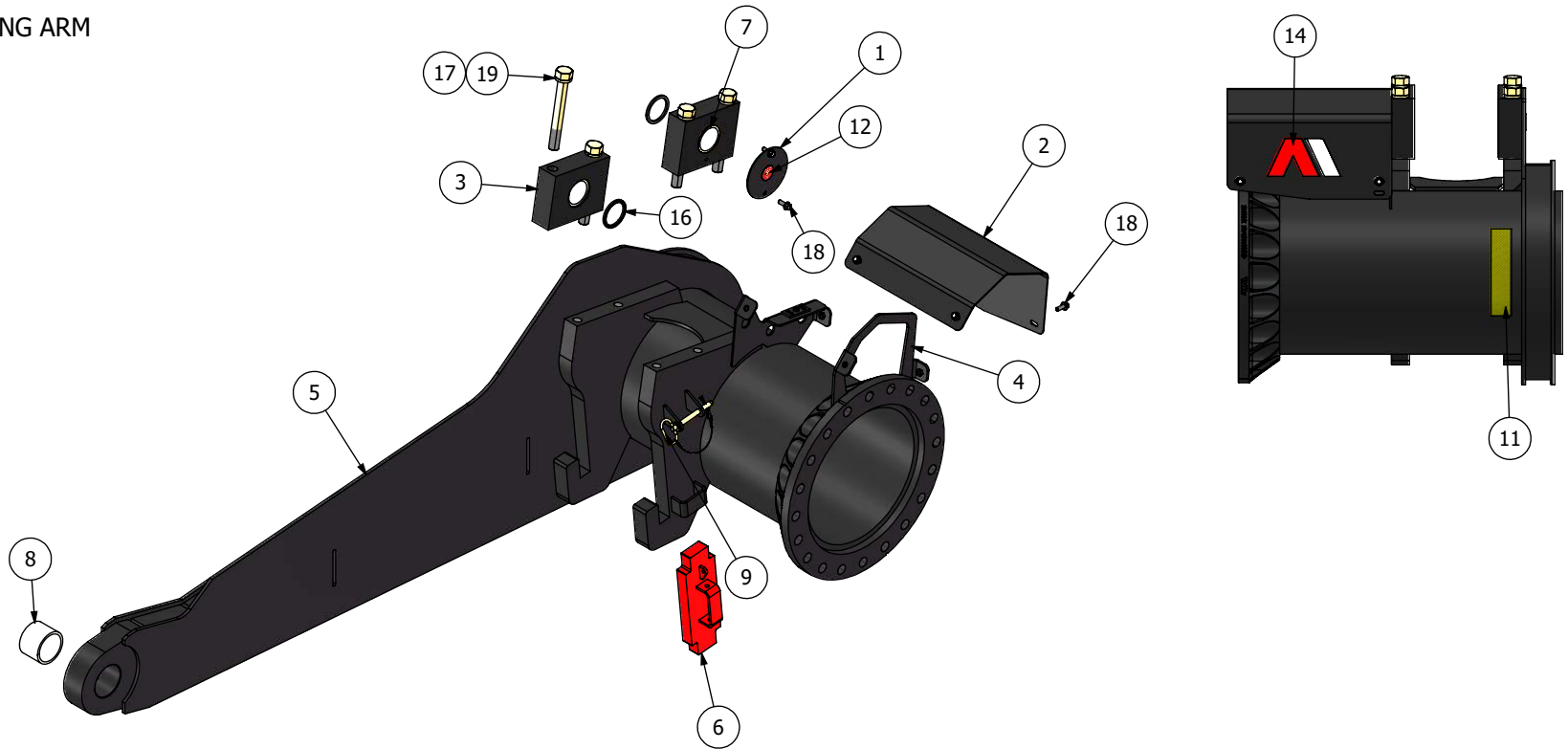


ITEM	QTY.	PART NUMBER	ALT. P.N.	DESCRIPTION
1	2	101010072_c_H-CG		SIDE HYDRAULIC COVER, 1812+
2	1	111002790_c_H-CG		UNIVERSAL HOSE STORAGE PLATE, 1812+
3	1	301003667_w_H-CG		HOSE HANGER
4	1	301003668_w_H-CG		HOSE HANGER BRACE
5	1	301004120_w_H-CG		COVER ASM HYD. FOR COMMON POLE
6	1	301004122_w_H-CG		HITCHPOLE - HYD. VALVE COVER
7	1	301004126_w_H-CG		POLE, 2411+
8	1	311000220_a_PIN		APRON LOCK PIN
9	2	405000012		SQR SNAPPER PIN, 1/4" (2.5" USEABLE)
10	4	405000041		EXTRUDED U NUT, 3/8"-16
11	4	405000101		3/8-16 X 1-1/2 HEX HEAD BODY BOLT
12	1	405220003		150LB GAS SPRING
13	2	411000004		DECAL - REFLECTIVE TAPE, YELLOW
14	1	411000029		MANUAL HOLDER
15	2	411000040	750464	DECAL - WARNING HIGH-PRESSURE HYD
16	2	411000064		DECAL WARNING - FALL HAZARD
17	1	411000097		DECAL PINCH HAZARD
18	1	411000277	ADS-00069	DECAL AMERICAN BUILT
19	1	411000355	ADS-00047	DECAL SAFETY LOCK INSTRUCTIONS
20	1	411000413		DECAL - RUNAWAY MACHINE
21	2	BLT5C_1-2x1_1-2_CRG		BOLT GR. 5 UNC 1/2" X 1-1/2" CARRIAGE
22	3	BLT5C_5-16x3-4_CRG	AFB-00216	BLT5C_5-16x3-4_CRG
23	2	BLT8C_1-2x2_1-4	AFB-00100	BOLT GR. 8 UNC 1/2" X 2-1/4"
24	40	BLT8C_1x3_1-2	AFB-00086	BOLT GR. 8 UNC 1" X 3-1/2"
25	2	BLT8C_3-4x2	AFB-00037	BOLT GR. 8 UNC 3/4" X 2
26	4	BLT8C_3-4x2_1-2	AFB-00005	BOLT GR. 8 UNC 3/4" X 2-1/2"
27	1	BLT8C_3-4x3	AFB-00064	BOLT GR. 8 UNC 3/4" X 3"
28	5	NUT5C_5-16_NYL		NUT GR. 5 UNC 5/16" NYLON LOCK
29	4	NUT8C_1-2_NYL	AFN-00078	NUT GR. 8 UNC 1/2" NYLON LOCK
30	40	NUT8C_1_STL	AFN-00037	STOVER NUT: 1" UNC
31	4	NUT8C_3-4_NYL	AFN-00046	NUT: GR 8.3/4" NYLOCK
32	1	NUT8C_3-4_STL	AFN-00062	STOVER NUT: 3/4" UNC
33	6	WSH8_1-2_STR	AFW-00044	WASHER GR. 8 - 1/2" STRUCTURAL
34	80	WSH8_1_STR	AFW-00011	1" STRUCTURAL WASHER
35	10	WSH8_3-4_STR	AFW-00042	WASHER GR. 8 - 3/4" STRUCTURAL
36	2	WSH8_5-16_STR	AFW-00012	WSH8_5-16_STR

SECTION 1.03

STRUCTURAL

2411/2811 LEFT TRAILING ARM
(311000466_C_I)

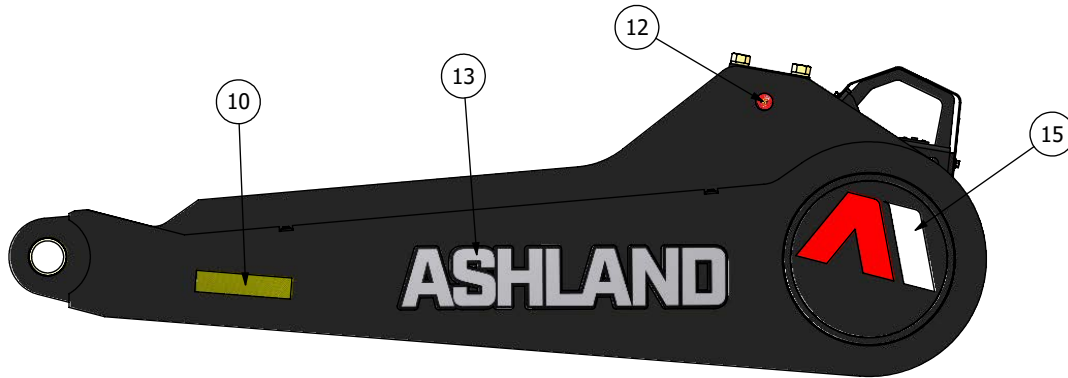
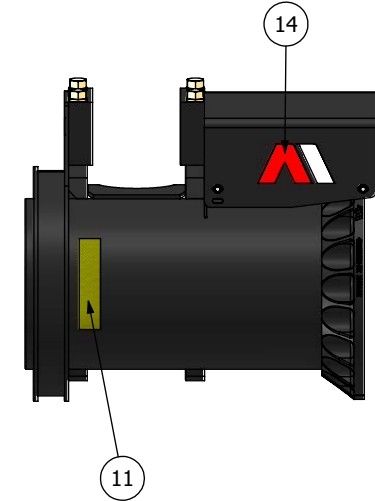
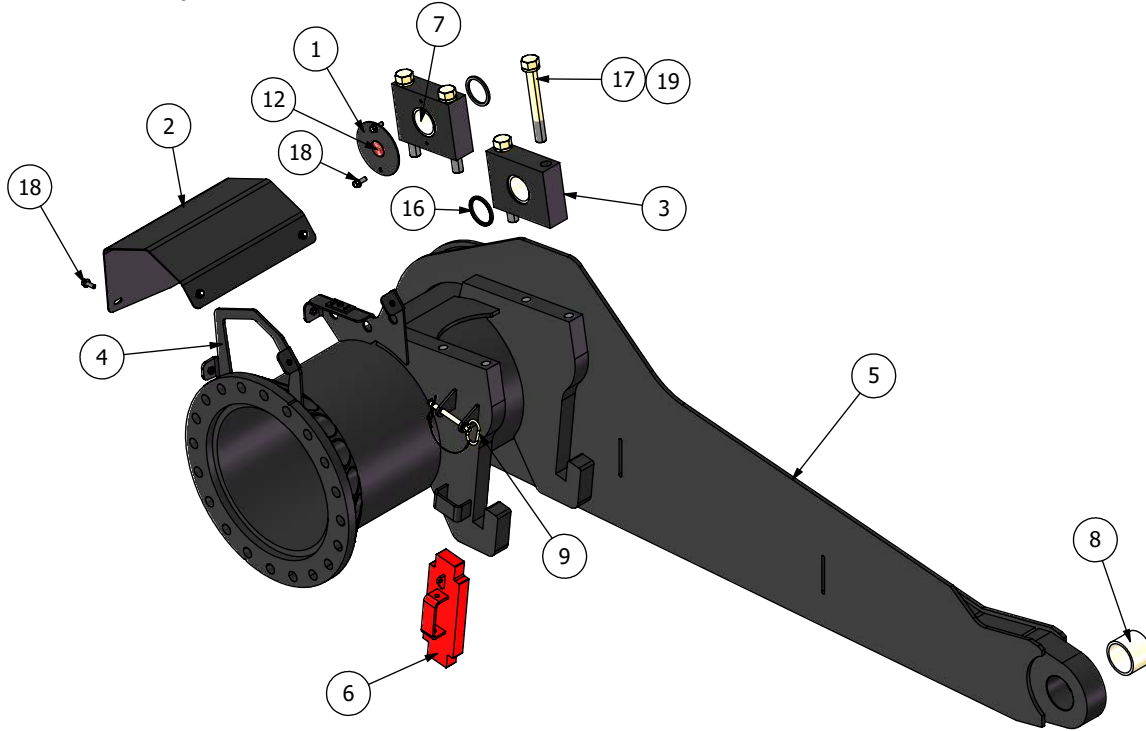


ITEM	QTY.	PART NUMBER	ALT. P.N.	DESCRIPTION
1	1	111000842_c_IJ-CG	504963	TRUNNION BLOCK COVER, 1812+
2	1	111000844_cb_I-CG		FRONT GUARD, LEFT TRAILING ARM, 2411/2811
3	2	211000151_sm_IJ-CG	504087	TRUNIUN BLOCK, TRAILING ARMS, 2411+
4	1	311000352_w_I-CG	601837	INNER GUARD MOUNT, LEFT TRAILING ARM, 1812+
5	1	311000466_w_I		LEFT TRAILING ARM, 2411/2811
6	1	311000473_w_IJ-SR		TRANSPORT LOCK, 2411+
7	2	404000130	400604	POLY BUSHING: 2.5" X 3" X 2.0625"
8	1	404000131	400603	POLY BUSHING : 3.5" X 3" X 2.5"
9	1	405000156		1/2" X 4" HITCH PIN
10	1	411000004		DECAL - REFLECTIVE TAPE, YELLOW
11	1	411000004		DECAL - REFLECTIVE TAPE, YELLOW
12	2	411000278	ADS-00083	DECAL - GREASELESS POINT ROUND
13	1	411000346		DECAL - ASHLAND WORDMARK
14	1	411000372		DECAL - AI LOGO SMALL
15	1	411000374		DECAL - AI LOGO LARGE
16	2	422000105	400605	WIPER: 2.5" ID 3" OD
17	4	BLT8C_1x8	AFB-00050	BOLT GR. 8 UNC 1" X 8"
18	6	BLT8C_3-8x1_FLG	AFB-00128	BOLT GR 5. 3/8" X 1" FLANGE
19	4	WSH8_1_LCK	AFW-00006	WASHER GR. 8 - 1" LOCK

SECTION 1.03

STRUCTURAL

2411/2811 RIGHT TRAILING ARM
(311000467_C_J)

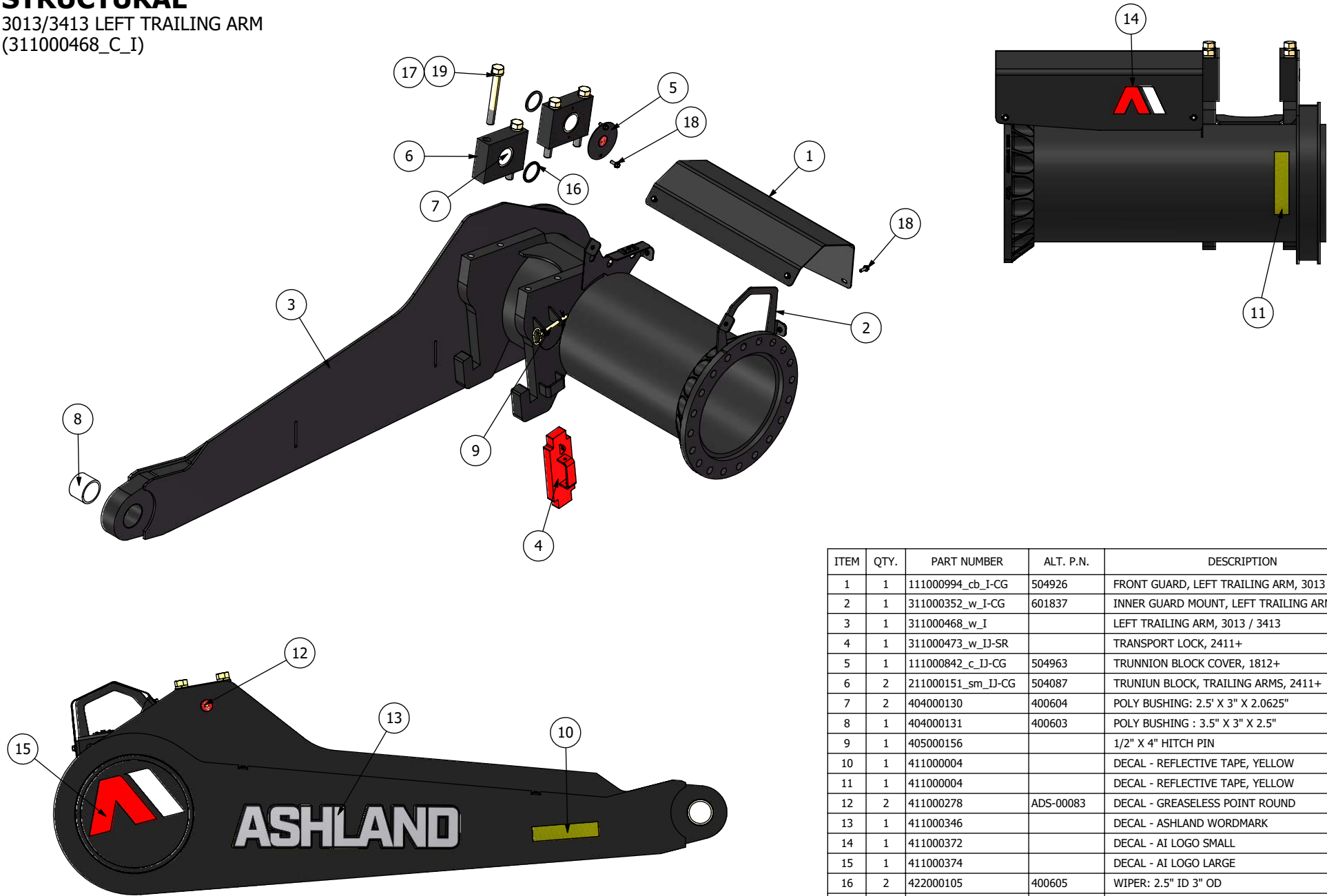


ITEM	QTY.	PART NUMBER	ALT. P.N.	DESCRIPTION
1	1	111000842_c_IJ-CG	504963	TRUNNION BLOCK COVER, 1812+
2	1	111000845_cb_J-CG		RH K-TEC ARM GUARD, 11 FT K-TEC FS
3	2	211000151_sm_IJ-CG	504087	TRUNNION BLOCK, TRAILING ARMS, 2411+
4	1	311000353_w_J-CG	601838	INNER GUARD MOUNT, RIGHT TRAILING ARM, 1812+
5	1	311000467_w_J		RIGHT TRAILING ARM, 2411/2811
6	1	311000473_w_IJ-SR		TRANSPORT LOCK, 2411+
7	2	404000130	400604	POLY BUSHING: 2.5" X 3" X 2.0625"
8	1	404000131	400603	POLY BUSHING : 3.5" X 3" X 2.5"
9	1	405000156		1/2" X 4" HITCH PIN
10	1	411000004		DECAL - REFLECTIVE TAPE, YELLOW
11	1	411000004		DECAL - REFLECTIVE TAPE, YELLOW
12	2	411000278	ADS-00083	DECAL - GREASELESS POINT ROUND
13	1	411000346		DECAL - ASHLAND WORDMARK
14	1	411000372		DECAL - AI LOGO SMALL
15	1	411000374		DECAL - AI LOGO LARGE
16	2	422000105	400605	WIPER: 2.5" ID 3" OD
17	4	BLT8C_1x8	AFB-00050	BOLT GR. 8 UNC 1" X 8"
18	6	BLT8C_3-8x1_FLG	AFB-00128	BOLT GR 5. 3/8" X 1" FLANGE
19	4	WSH8_1_LCK	AFW-00006	WASHER GR. 8 - 1" LOCK

SECTION 1.03

STRUCTURAL

3013/3413 LEFT TRAILING ARM
(311000468_C_I)

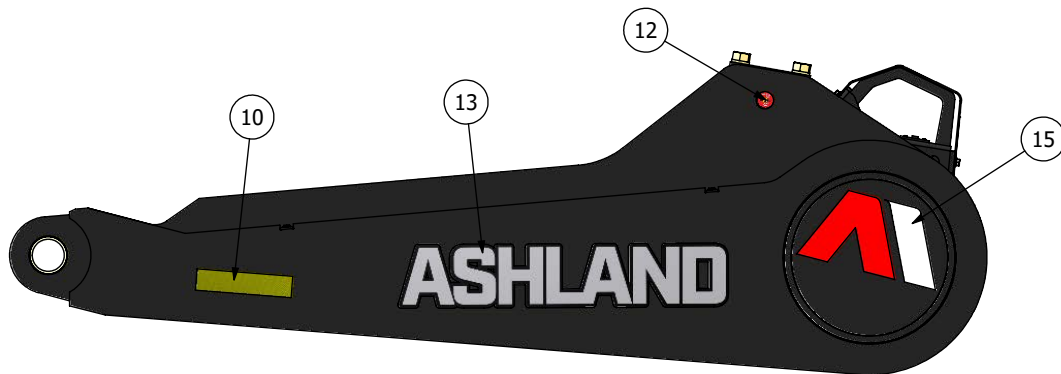
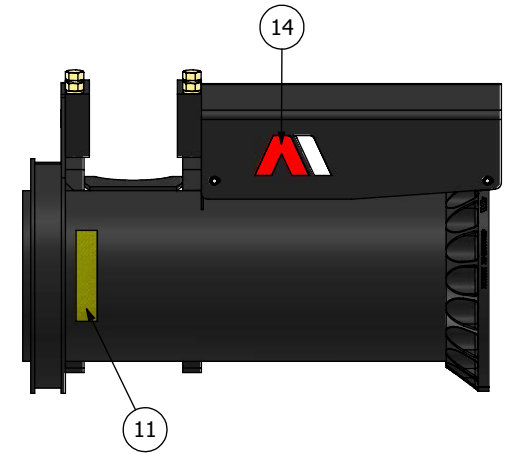
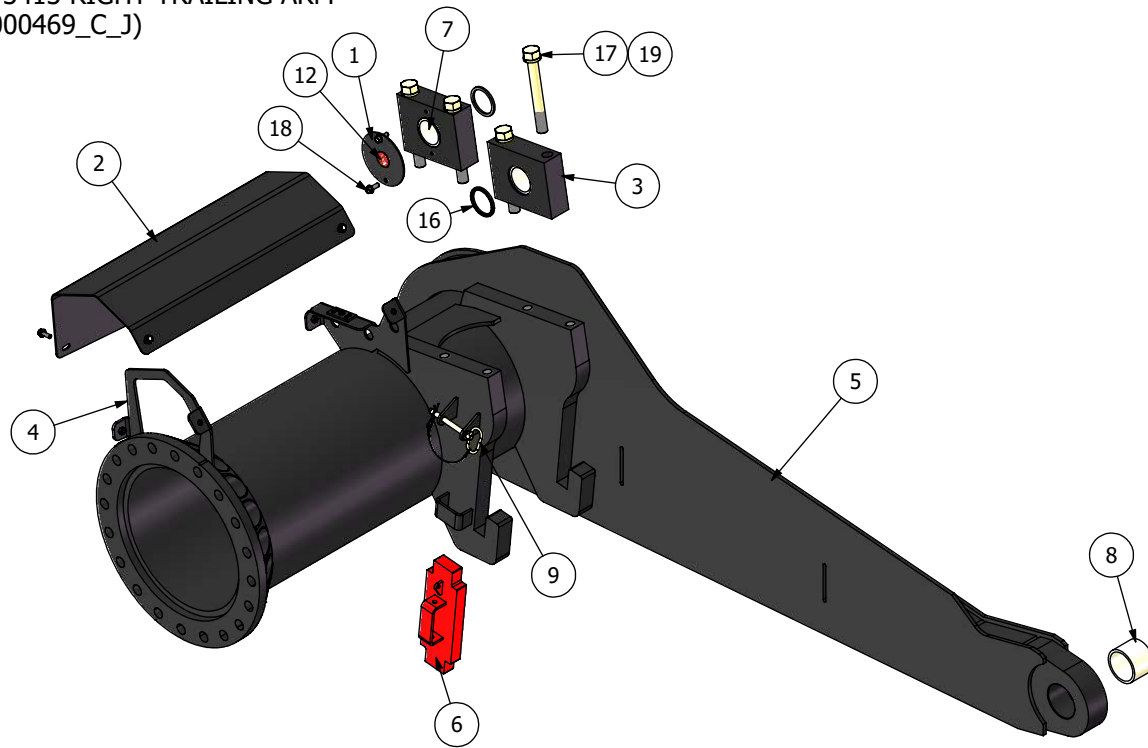


ITEM	QTY.	PART NUMBER	ALT. P.N.	DESCRIPTION
1	1	111000994_cb_I-CG	504926	FRONT GUARD, LEFT TRAILING ARM, 3013 / 3413
2	1	311000352_w_I-CG	601837	INNER GUARD MOUNT, LEFT TRAILING ARM, 1812+
3	1	311000468_w_I		LEFT TRAILING ARM, 3013 / 3413
4	1	311000473_w_IJ-SR		TRANSPORT LOCK, 2411+
5	1	111000842_c_IJ-CG	504963	TRUNNION BLOCK COVER, 1812+
6	2	211000151_sm_IJ-CG	504087	TRUNIUN BLOCK, TRAILING ARMS, 2411+
7	2	404000130	400604	POLY BUSHING: 2.5" X 3" X 2.0625"
8	1	404000131	400603	POLY BUSHING : 3.5" X 3" X 2.5"
9	1	405000156		1/2" X 4" HITCH PIN
10	1	411000004		DECAL - REFLECTIVE TAPE, YELLOW
11	1	411000004		DECAL - REFLECTIVE TAPE, YELLOW
12	2	411000278	ADS-00083	DECAL - GREASELESS POINT ROUND
13	1	411000346		DECAL - ASHLAND WORDMARK
14	1	411000372		DECAL - AI LOGO SMALL
15	1	411000374		DECAL - AI LOGO LARGE
16	2	422000105	400605	WIPER: 2.5" ID 3" OD
17	4	BLT8C_1x8	AFB-00050	BOLT GR. 8 UNC 1" X 8"
18	6	BLT8C_3-8x1_FLG	AFB-00128	BOLT GR 5. 3/8" X 1" FLANGE
19	4	WSH8_1_LCK	AFW-00006	WASHER GR. 8 - 1" LOCK

SECTION 1.03

STRUCTURAL

3013/3413 RIGHT TRAILING ARM
(311000469_C_J)

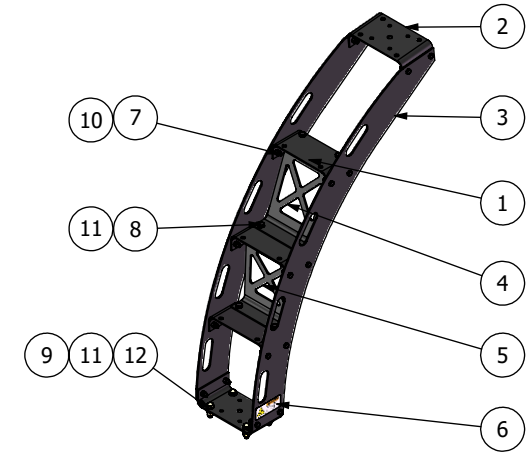
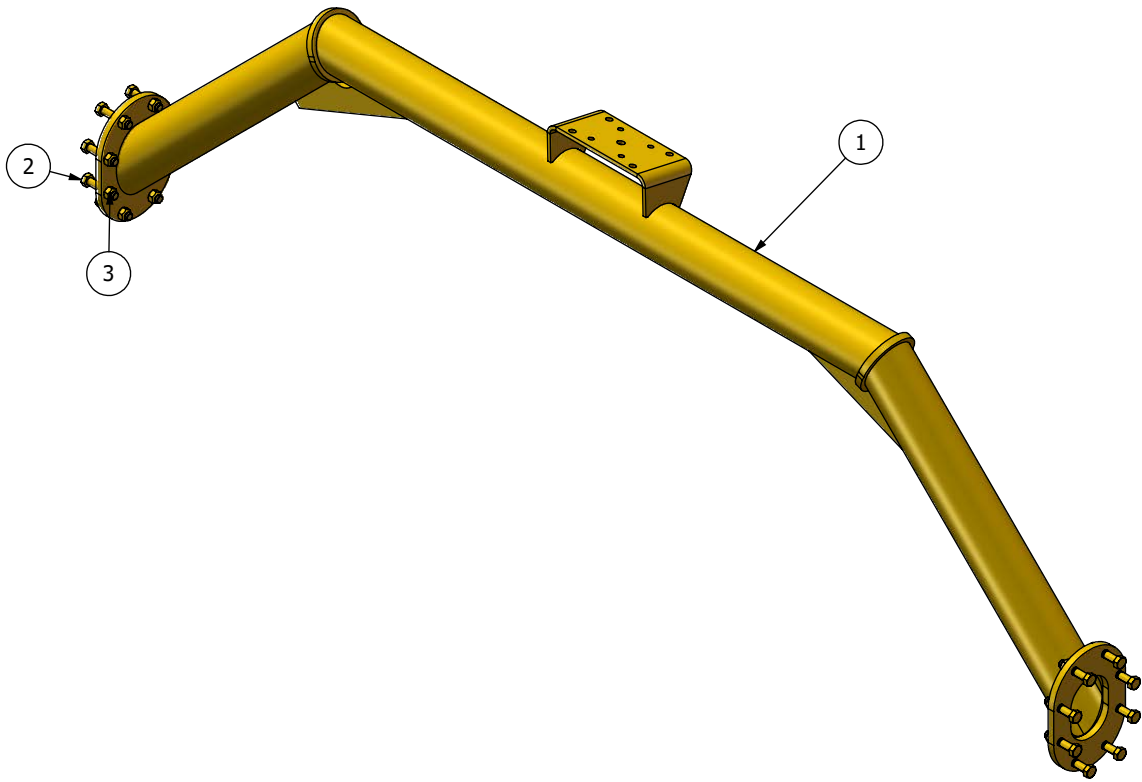


ITEM	QTY.	PART NUMBER	ALT. P.N.	DESCRIPTION
1	1	111000842_c_IJ-CG	504963	TRUNNION BLOCK COVER, 1812+
2	1	111000995_cb_J-CG	504928	RH TRAILING ARM GUARD, 3013 / 3413
3	2	211000151_sm_IJ-CG	504087	TRUNIUN BLOCK, TRAILING ARMS, 2411+
4	1	311000353_w_J-CG	601838	INNER GUARD MOUNT, RIGHT TRAILING ARM, 1812+
5	1	311000469_w_J		RIGHT TRAILING ARM, 3013/3413
6	1	311000473_w_IJ-SR		TRANSPORT LOCK, 2411+
7	2	404000130	400604	POLY BUSHING : 2.5" X 3" X 2.0625"
8	1	404000131	400603	POLY BUSHING : 3.5" X 3" X 2.5"
9	1	405000156		1/2" X 4" HITCH PIN
10	1	411000004		DECAL - REFLECTIVE TAPE, YELLOW
11	1	411000004		DECAL - REFLECTIVE TAPE, YELLOW
12	2	411000278	ADS-00083	DECAL - GREASELESS POINT ROUND
13	1	411000346		DECAL - ASHLAND WORDMARK
14	1	411000372		DECAL - AI LOGO SMALL
15	1	411000374		DECAL - AI LOGO LARGE
16	2	422000105	400605	WIPER: 2.5" ID 3" OD
17	4	BLT8C_1x8	AFB-00050	BOLT GR. 8 UNC 1" X 8"
18	6	BLT8C_3-8x1_FLG	AFB-00128	BOLT GR 5. 3/8" X 1" FLANGE
19	4	WSH8_1_LCK	AFW-00006	WASHER GR. 8 - 1" LOCK

SECTION 1.04

STRUCTURAL

2411/2811 LASER MOUNT
(311001131_S_L)



OPTIONAL LASER MAST

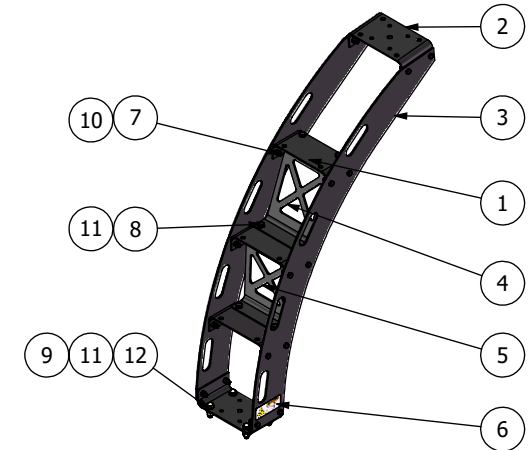
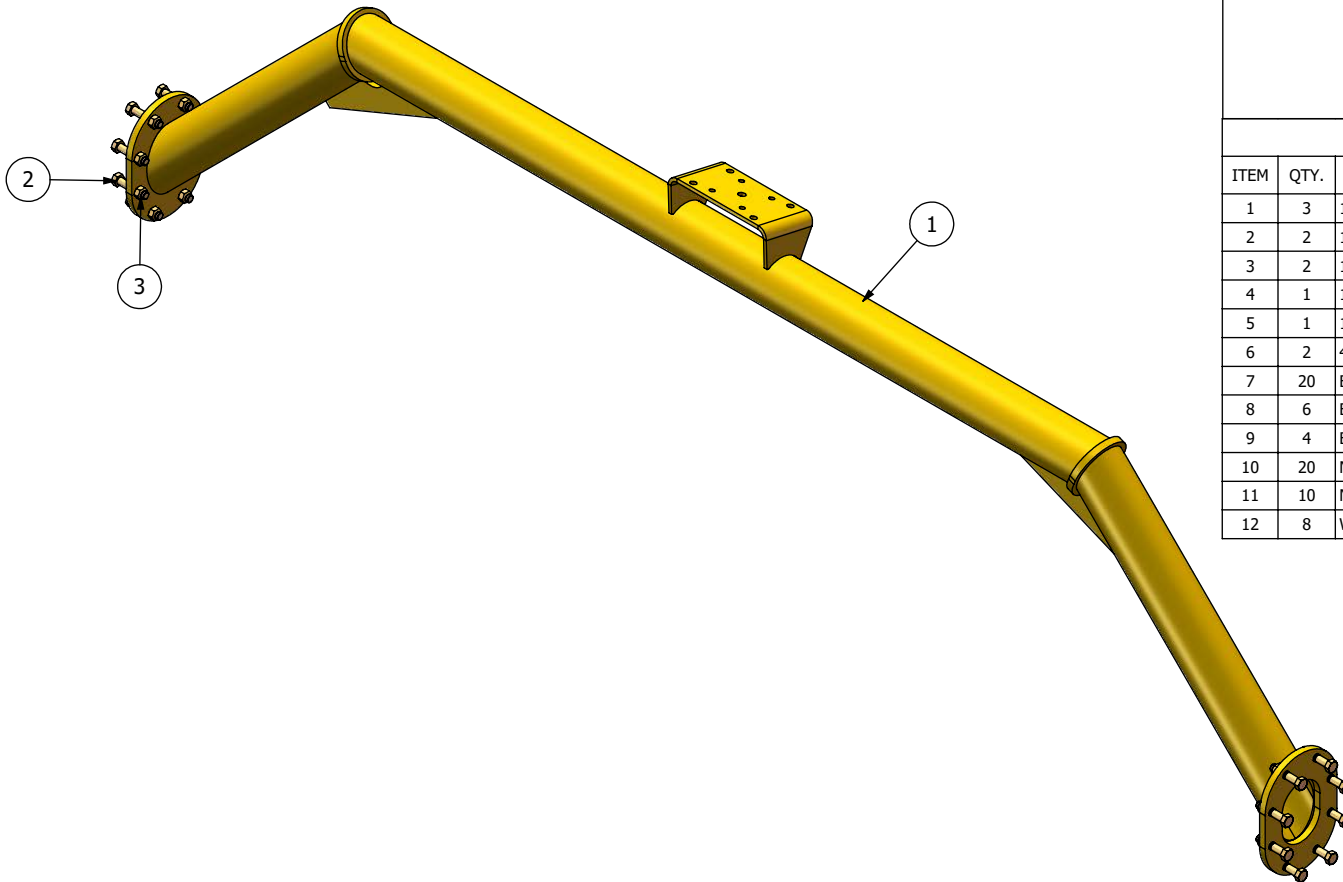
ITEM	QTY.	PART NUMBER	ALT. P.N.	DESCRIPTION
1	3	111002022_cb_L		RUNG, LASER MAST, 1812+
2	2	111002023_cb_L		MOUNTING PLATE, LASER MAST, 1812+
3	2	111002448_c_L		SIDE PLATE, LASER MAST, 2411+
4	1	111002449_cb_L		TOP STIFFENER, LASER MAST, 2411+
5	1	111002450_cb_L		BOTTOM STIFFENER 1, LASER MAST, 2411+
6	2	411000360		DECAL - WARNING FALLING HAZARD
7	20	BLT8C_1-2x1_1-2	AFB-00015	BOLT: GR 8. UNC 1/2" X 1-1/2"
8	6	BLT8C_5-8x1_1-2		BOLT GR. 8 UNC 5/8" X 1-1/2"
9	4	BLT8C_5-8x2	AFB-00047	BOLT GR. 8 UNC 5/8" X 2"
10	20	NUT8C_1-2_NYL	AFN-00078	NUT GR. 8 UNC 1/2" NYLON LOCK
11	10	NUT8C_5-8_NYL	AFN-00081	NUT: GR. 8 UNC 5/8" NYLON LOCK
12	8	WSH_5-8_STR	AFW-00043	WASHER: GR. 8 - 5/8" STRUCTURAL

ITEM	QTY.	PART NUMBER	ALT. P.N.	DESCRIPTION
1	1	311001131_w_L		LASER MOUNT, 2411 / 2811
2	16	BLT8C_3-4x3_1-2	AFB-00097	BOLT GR. 8 UNC 3/4" X 3-1/2"
3	16	NUT8C_3-4_STL	AFN-00062	STOVER NUT: 3/4" UNC

SECTION 1.04

STRUCTURAL

3013/3413 LASER MOUNT
(311000379_S_L)



OPTIONAL LASER MAST

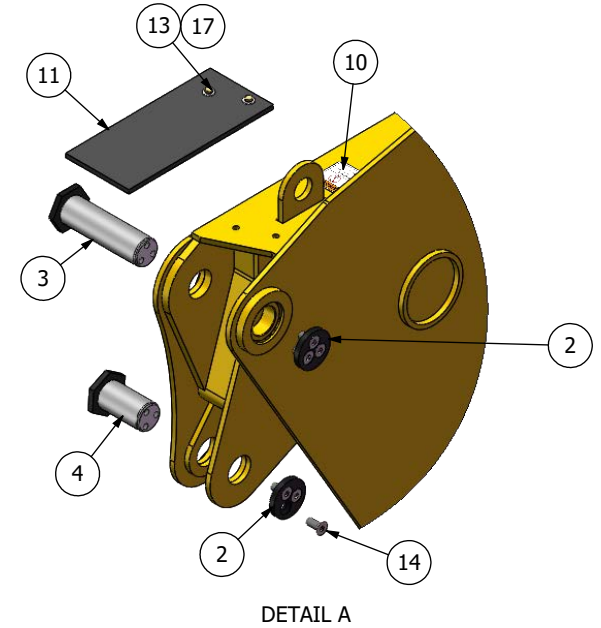
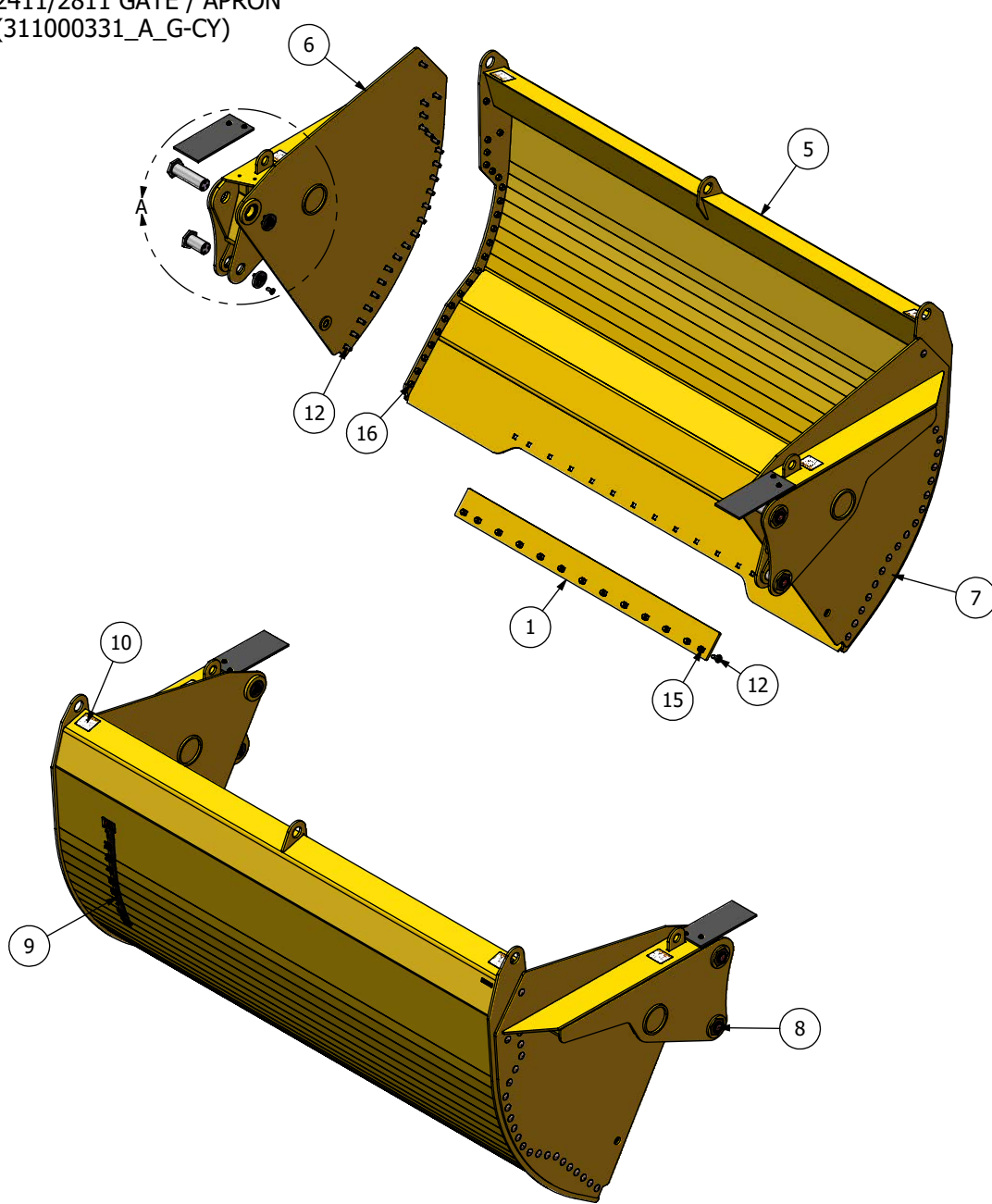
ITEM	QTY.	PART NUMBER	ALT. P.N.	DESCRIPTION
1	3	111002022_cb_L		RUNG, LASER MAST, 1812+
2	2	111002023_cb_L		MOUNTING PLATE, LASER MAST, 1812+
3	2	111002448_c_L		SIDE PLATE, LASER MAST, 2411+
4	1	111002449_cb_L		TOP STIFFENER, LASER MAST, 2411+
5	1	111002450_cb_L		BOTTOM STIFFENER 1, LASER MAST, 2411+
6	2	411000360		DECAL - WARNING FALLING HAZARD
7	20	BLT8C_1-2x1_1-2	AFB-00015	BOLT: GR 8. UNC 1/2" X 1-1/2"
8	6	BLT8C_5-8x1_1-2		BOLT GR. 8 UNC 5/8" X 1-1/2"
9	4	BLT8C_5-8x2	AFB-00047	BOLT GR. 8 UNC 5/8" X 2"
10	20	NUT8C_1-2_NYL	AFN-00078	NUT GR. 8 UNC 1/2" NYLON LOCK
11	10	NUT8C_5-8_NYL	AFN-00081	NUT: GR. 8 UNC 5/8" NYLON LOCK
12	8	WSH_5-8_STR	AFW-00043	WASHER: GR. 8 - 5/8" STRUCTURAL

ITEM	QTY.	PART NUMBER	ALT. P.N.	DESCRIPTION
1	1	311000379_w_L	601364	FRONT CROSS PIPE, 3013 / 3413
2	16	BLT8C_3-4x3_1-2	AFB-00097	BOLT GR. 8 UNC 3/4" X 3-1/2"
3	16	NUT8C_3-4_STL	AFN-00062	STOVER NUT: 3/4" UNC

SECTION 1.05

STRUCTURAL

2411/2811 GATE / APRON
(311000331_A_G-CY)

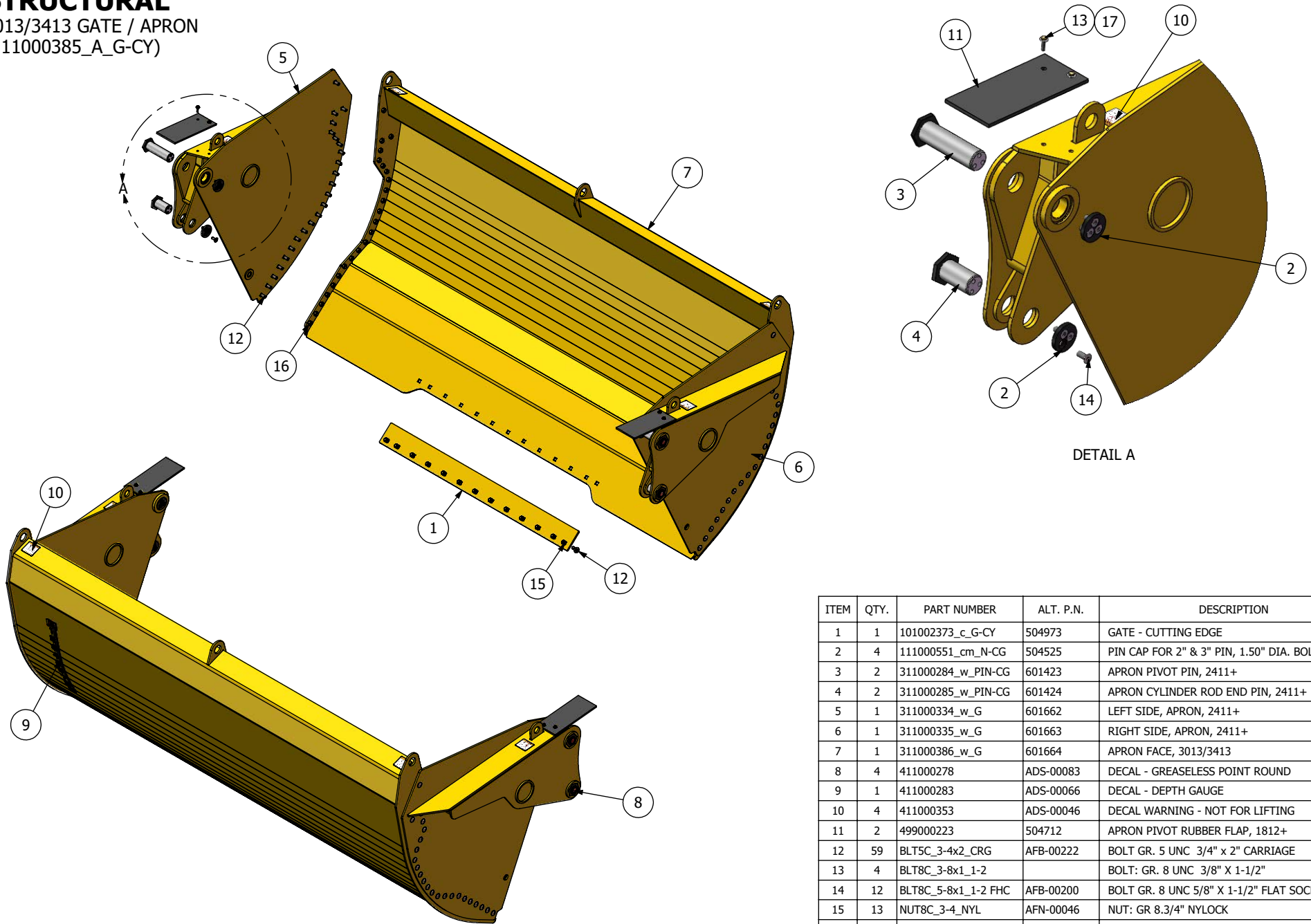


ITEM	QTY.	PART NUMBER	ALT. P.N.	DESCRIPTION
1	1	101002373_c_G-CY	504973	GATE - CUTTING EDGE
2	4	111000551_cm_N-CG	504525	PIN CAP FOR 2" & 3" PIN, 1.50" DIA. BOLT CIRCLE
3	2	311000284_w_PIN-CG	601423	APRON PIVOT PIN, 2411+
4	2	311000285_w_PIN-CG	601424	APRON CYLINDER ROD END PIN, 2411+
5	1	311000332_w_G	601661	APRON FACE, 2411/2811
6	1	311000334_w_G	601662	LEFT SIDE, APRON, 2411+
7	1	311000335_w_G	601663	RIGHT SIDE, APRON, 2411+
8	4	411000278	ADS-00083	DECAL - GREASELESS POINT ROUND
9	1	411000283	ADS-00066	DECAL - DEPTH GAUGE
10	4	411000353	ADS-00046	DECAL WARNING - NOT FOR LIFTING
11	2	499000223	504712	APRON PIVOT RUBBER FLAP, 1812+
12	59	BLT5C_3-4x2_CRG	AFB-00222	BOLT GR. 5 UNC 3/4" x 2" CARRIAGE
13	4	BLT8C_3-8x1_1-2		BOLT: GR. 8 UNC 3/8" X 1-1/2"
14	12	BLT8C_5-8x1_1-2 FHC	AFB-00200	BOLT GR. 8 UNC 5/8" X 1-1/2" FLAT SOCKET CAP
15	13	NUT8C_3-4_NYL	AFN-00046	NUT: GR 8.3/4" NYLOCK
16	46	NUT8C_3-4_STL	AFN-00062	STOVER NUT: 3/4" UNC
17	4	WSH8_3-8_FLT	AFW-00010	WASHER: GR 5 - 3/8" FLAT

SECTION 1.05

STRUCTURAL

3013/3413 GATE / APRON
(311000385_A_G-CY)

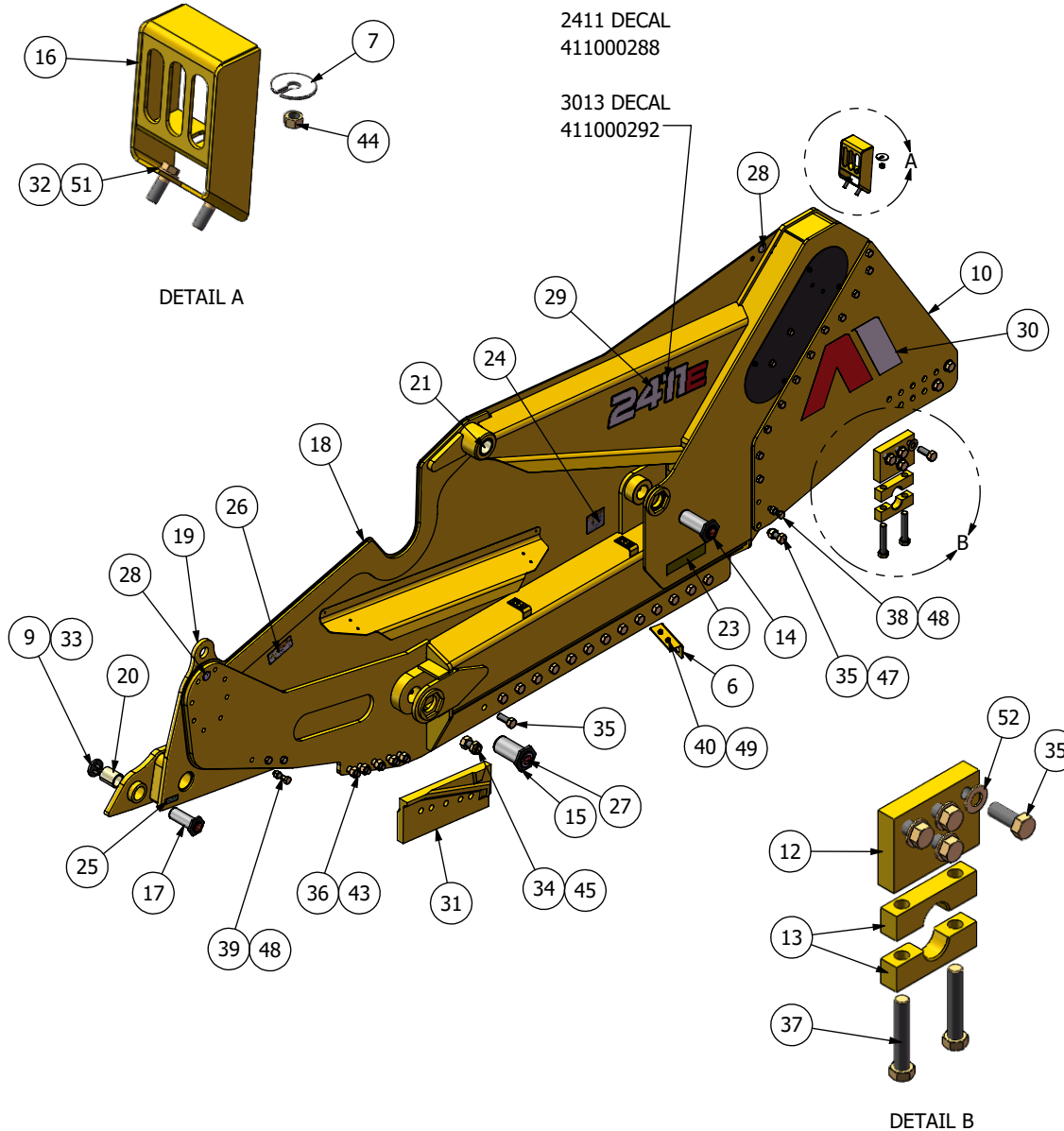


ITEM	QTY.	PART NUMBER	ALT. P.N.	DESCRIPTION
1	1	101002373_c_G-CY	504973	GATE - CUTTING EDGE
2	4	111000551_cm_N-CG	504525	PIN CAP FOR 2" & 3" PIN, 1.50" DIA. BOLT CIRCLE
3	2	311000284_w_PIN-CG	601423	APRON PIVOT PIN, 2411+
4	2	311000285_w_PIN-CG	601424	APRON CYLINDER ROD END PIN, 2411+
5	1	311000334_w_G	601662	LEFT SIDE, APRON, 2411+
6	1	311000335_w_G	601663	RIGHT SIDE, APRON, 2411+
7	1	311000386_w_G	601664	APRON FACE, 3013/3413
8	4	411000278	ADS-00083	DECAL - GREASELESS POINT ROUND
9	1	411000283	ADS-00066	DECAL - DEPTH GAUGE
10	4	411000353	ADS-00046	DECAL WARNING - NOT FOR LIFTING
11	2	499000223	504712	APRON PIVOT RUBBER FLAP, 1812+
12	59	BLT5C_3-4x2_CRG	AFB-00222	BOLT GR. 5 UNC 3/4" x 2" CARRIAGE
13	4	BLT8C_3-8x1_1-2		BOLT: GR. 8 UNC 3/8" X 1-1/2"
14	12	BLT8C_5-8x1_1-2_FHC	AFB-00200	BOLT GR. 8 UNC 5/8" X 1-1/2" FLAT SOCKET CAP
15	13	NUT8C_3-4_NYL	AFN-00046	NUT: GR 8.3/4" NYLOCK
16	46	NUT8C_3-4_STL	AFN-00062	STOVER NUT: 3/4" UNC
17	4	WSH8_3-8_FLT	AFW-00010	WASHER: GR 5 - 3/8" FLAT

SECTION 1.06

STRUCTURAL

2411/3013 LEFT SIDEWALL
(311001136_S_X)

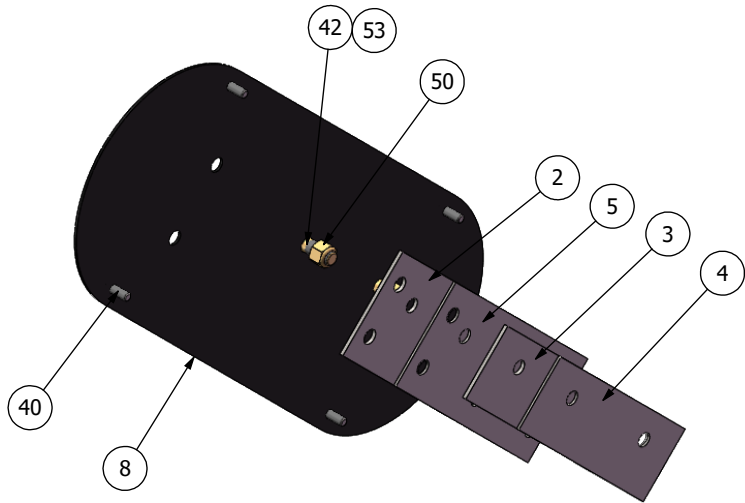


ITEM	QTY.	PART NUMBER	ALT. P.N.	DESCRIPTION
6	1	111000714_cb_X-CY	504869	APRON BULKHEAD, LEFT SIDE WALL, 2411+
7	1	111000717_c_N-CY	500836	WASHER, LIGHT MOUNT
9	1	111002009_cm_N-CG	505276	PIN CAP FOR 2" PIN, 1.25" DIA. BOLT CIRCLE
10	1	111002373_c_XY		OUTER TAIL PLATE, 2411+
12	1	211000173_sm_W-CY	504673	TAPPED AXLE MOUNT BLOCK, 2411+
13	2	211000174_sm_W-CY	504035	AXLE CLAMP BLOCK, 1509+
14	1	311000292_w_PIN-CG	601425	MULTI USE PIN, 1509+
15	1	311000294_w_PIN-CG	601547	FRONT SECTION PIVOT PIN, 2411+
16	1	311000302_w_S-CY	600909	LIGHT HOUSING, BOLT-ON
17	1	311001094_w_PIN-CG		LIFT PIN, 1509+
18	1	311001136_w_X		LEFT SIDE WALL, 2411/3013
19	1	311001148_w_X		LEFT LIFT EAR, 2411+
20	1	404000003		POLY BUSHING: 2" ID, 2.5" OD, 3" LENGTH
21	2	404000132	400374	POLY BUSHING, 2.50 X 3.00 X 2.25
23	1	411000004		DECAL - REFLECTIVE TAPE, YELLOW
24	1	411000040	750464	DECAL - WARNING HIGH-PRESSURE HYD
25	1	411000102		DECAL TIE-DOWN
26	1	411000261	ADS-00011	DECAL - CRUSHING HAZARD
27	3	411000278	ADS-00083	DECAL - GREASELESS POINT ROUND
28	2	411000281	ADS-00091	DECAL - LIFT POINT ROUND
29	1	411000288		DECAL - 2411 BADGE
30	1	411000375		DECAL - AI LOGO EXTRA LARGE
31	1	413000068	123357	CAT ROUTER BIT
32	2	BLT8C_1-2x1_1-2	AFB-00015	BOLT: GR. 8. UNC 1/2" X 1-1/2"
33	3	BLT8C_1-2x1_1-2 FHC	AFB-00185	BOLT GR. 8 UNC 1/2" X 1-1/2" FLAT SOCKET CAP
34	1	BLT8C_1_1-4x2_1-2		BOLT GR. 8 UNC 1-1/4" X 2-1/2"
35	21	BLT8C_1x2_1-2	AFB-00036	BOLT GR. 8 UNC 1" X 2-1/2"
36	5	BLT8C_1x3	AFB-00018	BOLT GR. 8 UNC 1" X 3"
37	2	BLT8C_1x5_1-2		BOLT GR. 8 UNC 1" X 5-1/2"
38	12	BLT8C_3-4x2_1-2	AFB-00005	BOLT GR. 8 UNC 3/4" X 2-1/2"
39	3	BLT8C_3-4x2_3-4	AFB-00218	BOLT: GR. 8 UNCE 3/4" X 2-3/4
40	6	BLT8C_3-8x1_FLG	AFB-00128	BOLT GR 5. 3/8" X 1" FLANGE
43	5	NUT8C_1	AFN-00012	NUT GR. 8 UNC 1"
44	1	NUT8C_1-2	AFN-00015	NUT GR. 8 UNC 1/2"
45	1	NUT8C_1_1-4_STL		NUT GR. 8 UNC 1-1/4" STOVER LOCK
47	1	NUT8C_1_STL	AFN-00037	STOVER NUT: 1" UNC
48	15	NUT8C_3-4_STL	AFN-00062	STOVER NUT: 3/4" UNC
49	2	NUT8C_3-8_NYL	AFN-00044	NUT GR. 8 NYLON LOCK 3/8" UNC
51	2	WSH8_1-2_STR	AFW-00044	WASHER GR. 8 - 1/2" STRUCTURAL
52	6	WSH8_1_STR	AFW-00011	1" STRUCTURAL WASHER

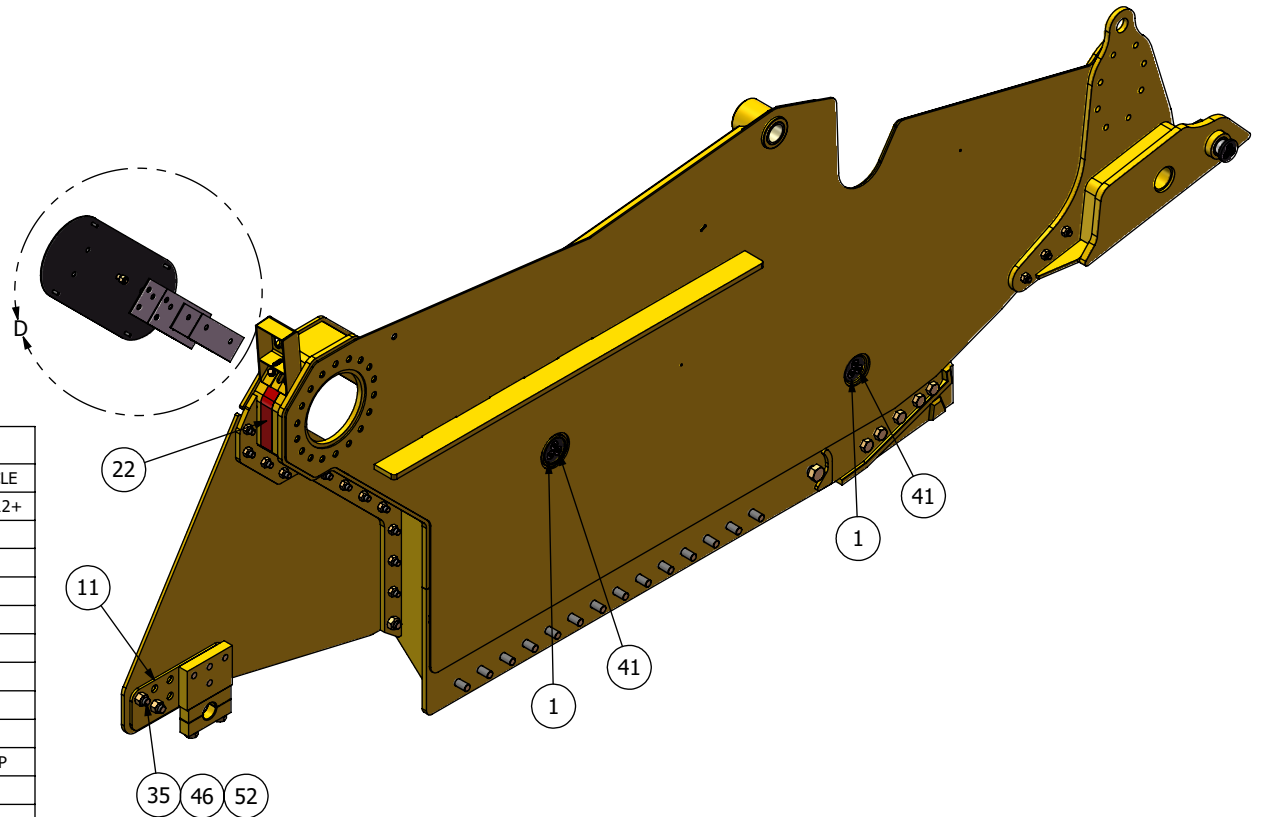
SECTION 1.06

STRUCTURAL

2411/3013 LEFT SIDEWALL
(311001136_S_X)



DETAIL D



ITEM	QTY.	PART NUMBER	ALT. P.N.	DESCRIPTION
1	2	111000551_cm_N-CG	504525	PIN CAP FOR 2" & 3" PIN, 1.50" DIA. BOLT CIRCLE
2	1	111000653_c_E	504847	3/16" TAIL SLIDER BLOCK SHIM, PUSH OFF, 1812+
3	1	111000663_c_E	504846	3/16" SLIDER BLOCK SHIM, PUSH OFF, 1812+
4	1	111000711_c_E	504263	SLIDER BLOCK SHIM, PUSH OFF, 1812+
5	1	111000712_c_E	504677	TAIL SLIDER BLOCK SIM, PUSH OFF, 1812+
8	1	111001043_c_XY-CG		HYDRAULIC COVER, SIDE WALLS, 1509+
11	1	111002374_c_XY-CY		TAIL SPACER PLATE, SIDE WALLS, 2411+
22	1	411000003		DECAL RED STRIP (REFLECTIVE LIGHT)
35	21	BLT8C_1x2_1-2	AFB-00036	BOLT GR. 8 UNC 1" X 2-1/2"
40	6	BLT8C_3-8x1_FLG	AFB-00128	BOLT GR 5. 3/8" X 1" FLANGE
41	6	BLT8C_5-8x1_1-2 FHC	AFB-00200	BOLT GR. 8 UNC 5/8" X 1-1/2" FLAT SOCKET CAP
42	2	BLT8C_5-8x1_3-4		BOLT GR. 8 UNC 5/8" X 1-3/4"
46	2	NUT8C_1_NYL	AFN-00077	NUT GR. 8 UNC 1" NYLON LOCK
50	2	NUT8C_5-8_NYL	AFN-00081	NUT: GR. 8 UNC 5/8" NYLON LOCK
52	6	WSH8_1_STR	AFW-00011	1" STRUCTURAL WASHER
53	2	WSH8_5-8_STR	AFW-00043	WASHER GR. 8 - 5/8" STRUCTURAL

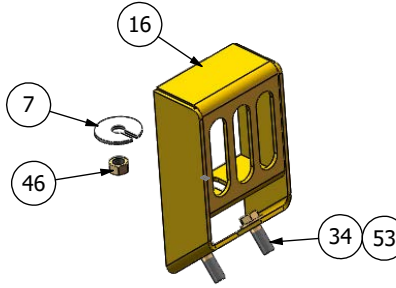
SECTION 1.06

STRUCTURAL

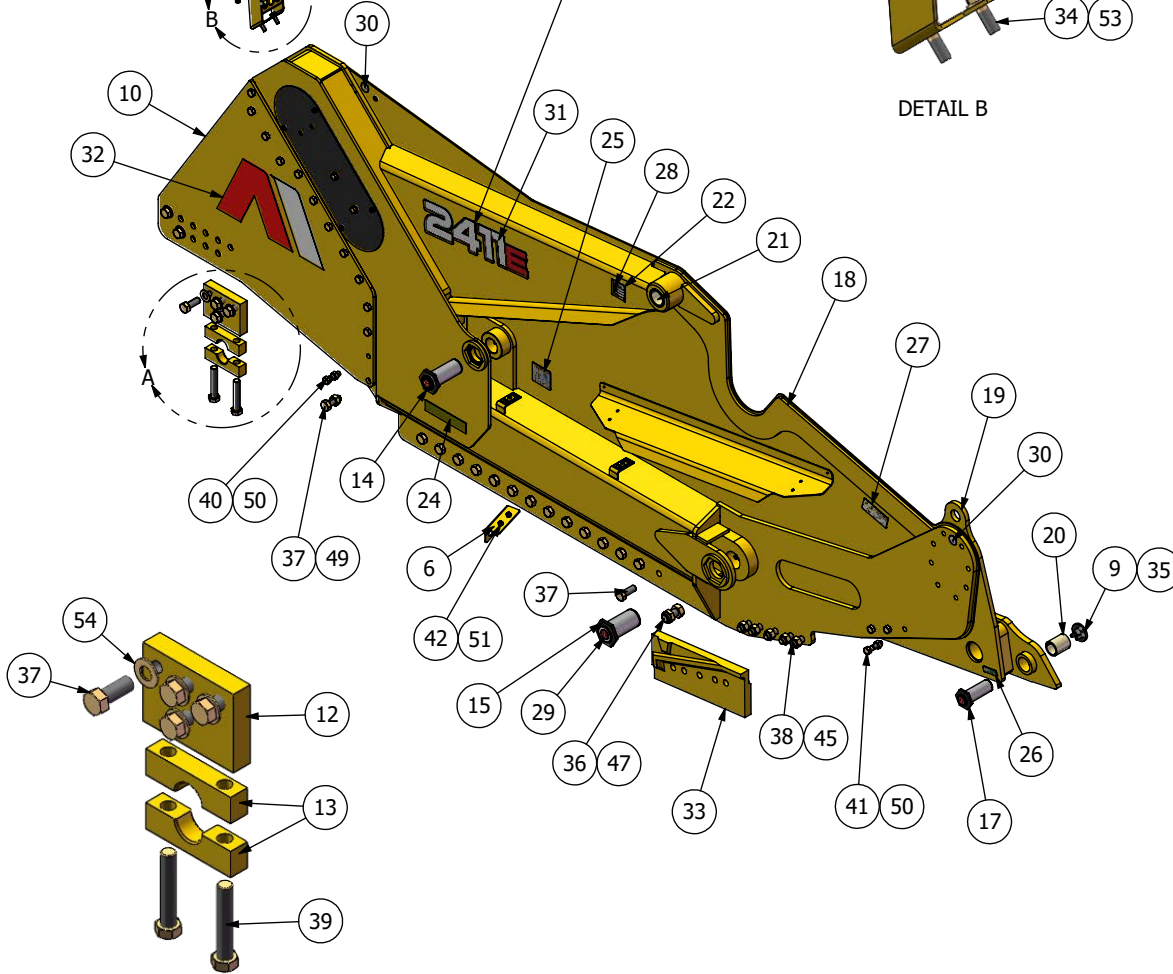
2411/3013 RIGHT SIDE WALL
(311001137_S_X)

2411 DECAL
411000288

3013 DECAL
411000292



DETAIL B



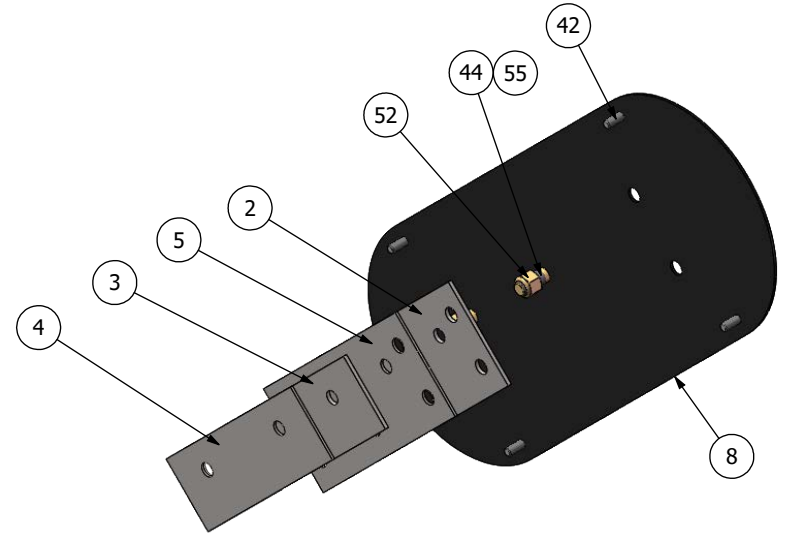
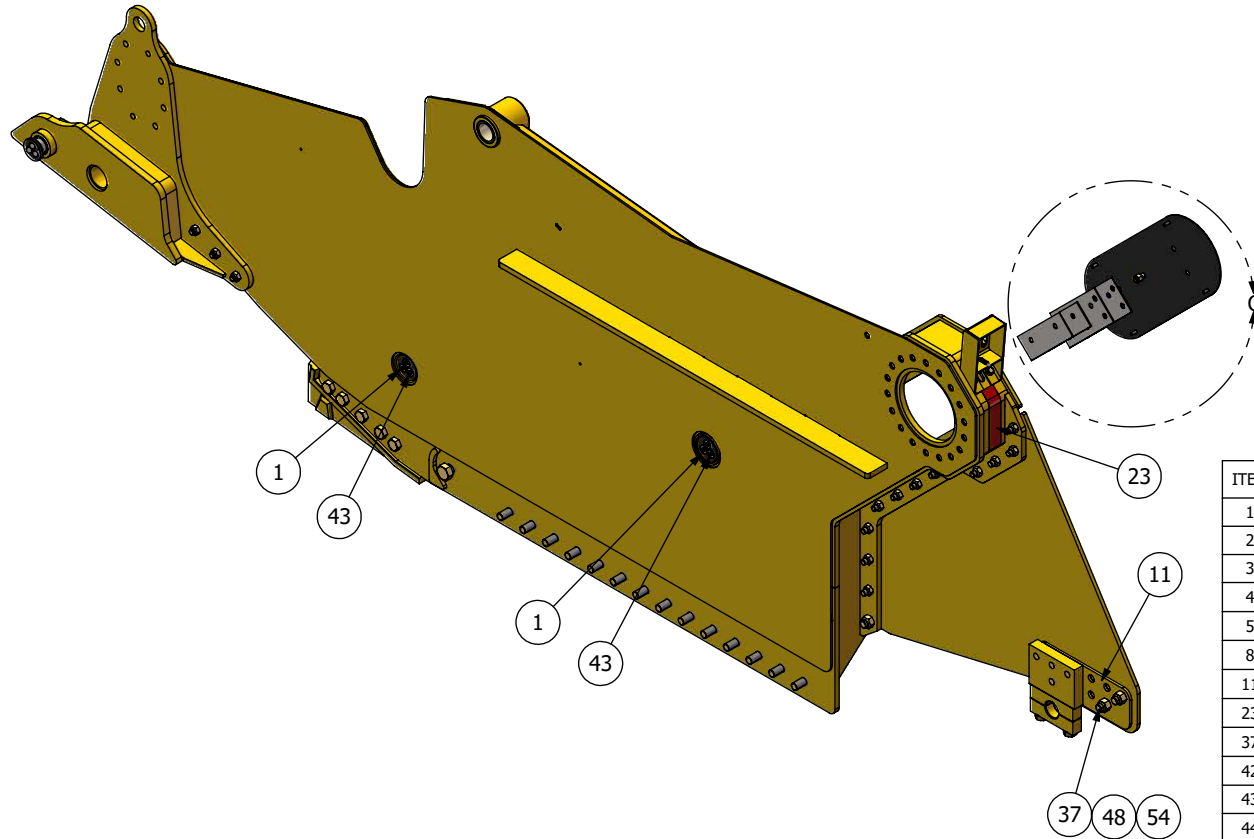
DETAIL A

ITEM	QTY.	PART NUMBER	ALT. P.N.	DESCRIPTION
6	1	111000715_cb_Y-CY		APRON BULKHEAD, LEFT SIDE WALL, 2411+
7	1	111000717_c_N-CY	500836	WASHER, LIGHT MOUNT
9	1	111002009_cm_N-CG	505276	PIN CAP FOR 2" PIN, 1.25" DIA. BOLT CIRCLE
10	1	111002373_c_XY		OUTER TAIL PLATE, 2411+
12	1	211000173_sm_W-CY	504673	TAPPED AXLE MOUNT BLOCK, 2411+
13	2	211000174_sm_W-CY	504035	AXLE CLAMP BLOCK, 1509+
14	1	311000292_w_PIN-CG	601425	MULTI USE PIN, 1509+
15	1	311000294_w_PIN-CG	601547	FRONT SECTION PIVOT PIN, 2411+
16	1	311000302_w_S-CY	600909	LIGHT HOUSING, BOLT-ON
17	1	311001094_w_PIN-CG		LIFT PIN, 1509+
18	1	311001137_w_Y		RIGHT SIDE WALL, 2411/3013
19	1	311001149_w_Y		RIGHT LIFT EAR, 2411+
20	1	404000003		POLY BUSHING: 2" ID, 2.5" OD, 3" LENGTH
21	2	404000132	400374	POLY BUSHING, 2.50 X 3.00 X 2.25
22	4	405000135		#4 X 5/16" U-DRIVE SCREW, ROUND HEAD
24	1	411000004		DECAL - REFLECTIVE TAPE, YELLOW
25	1	411000040	750464	DECAL - WARNING HIGH-PRESSURE HYD
26	1	411000102		DECAL TIE-DOWN
27	1	411000261	ADS-00011	DECAL - CRUSHING HAZARD
28	1	411000263		SERIAL NUMBER PLATE
29	3	411000278	ADS-00083	DECAL - GREASELESS POINT ROUND
30	2	411000281	ADS-00091	DECAL - LIFT POINT ROUND
31	1	411000288		DECAL - 2411 BADGE
32	1	411000375		DECAL - AI LOGO EXTRA LARGE
33	1	413000068	123357	CAT ROUTER BIT
34	2	BLT8C_1-2x1_1-2	AFB-00015	BOLT: GR. 8. UNC 1/2" X 1-1/2"
35	3	BLT8C_1-2x1_1-2 FHC	AFB-00185	BOLT GR. 8 UNC 1/2" X 1-1/2" FLAT SOCKET CAP
36	1	BLT8C_1-1-4x2_1-2		BOLT GR. 8 UNC 1-1/4" X 2-1/2"
37	21	BLT8C_1x2_1-2	AFB-00036	BOLT GR. 8 UNC 1" X 2-1/2"
38	5	BLT8C_1x3	AFB-00018	BOLT GR. 8 UNC 1" X 3"
39	2	BLT8C_1x5_1-2		BOLT GR. 8 UNC 1" X 5-1/2"
40	12	BLT8C_3-4x2_1-2	AFB-00005	BOLT GR. 8 UNC 3/4" X 2-1/2"
41	3	BLT8C_3-4x2_3-4	AFB-00218	BOLT: GR. 8 UNCE 3/4" X 2-3/4
42	6	BLT8C_3-8x1_FLG	AFB-00128	BOLT GR 5. 3/8" X 1" FLANGE
45	5	NUT8C_1	AFN-00012	NUT GR. 8 UNC 1"
46	1	NUT8C_1-2	AFN-00015	NUT GR. 8 UNC 1/2"
47	1	NUT8C_1-1-4_STL		NUT GR. 8 UNC 1-1/4" STOVER LOCK
49	1	NUT8C_1_STL	AFN-00037	STOVER NUT: 1" UNC
50	15	NUT8C_3-4_STL	AFN-00062	STOVER NUT: 3/4" UNC
51	2	NUT8C_3-8_NYL	AFN-00044	NUT GR. 8 NYLON LOCK 3/8" UNC
53	2	WSH8_1-2_STR	AFW-00044	WASHER GR. 8 - 1/2" STRUCTURAL
54	6	WSH8_1_STR	AFW-00011	1" STRUCTURAL WASHER

SECTION 1.06

STRUCTURAL

2411/3013 RIGHT SIDE WALL
(311001137_S_X)



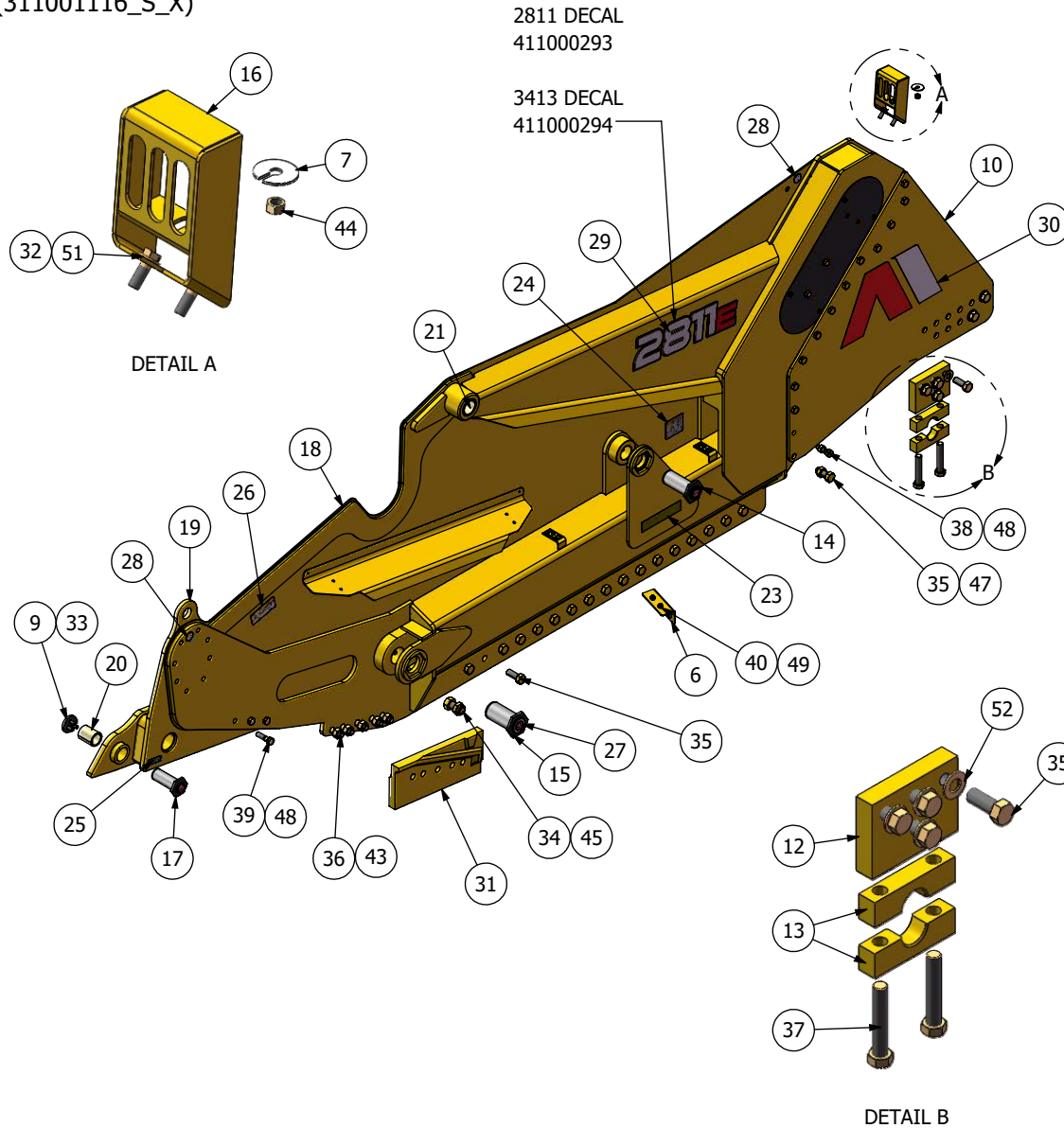
DETAIL C

ITEM	QTY.	PART NUMBER	ALT. P.N.	DESCRIPTION
1	2	111000551_cm_N-CG	504525	PIN CAP FOR 2" & 3" PIN, 1.50" DIA. BOLT CIRCLE
2	1	111000653_c_E	504847	3/16" TAIL SLIDER BLOCK SHIM, PUSH OFF, 1812+
3	1	111000663_c_E	504846	3/16" SLIDER BLOCK SHIM, PUSH OFF, 1812+
4	1	111000711_c_E	504263	TAIL SLIDER BLOCK SHIM, PUSH OFF, 1812+
5	1	111000712_c_E	504677	TAIL SLIDER BLOCK SIM, PUSH OFF, 1812+
8	1	111001043_c_XY-CG		HYDRAULIC COVER, SIDE WALLS, 1509+
11	1	111002374_c_XY-CY		TAIL SPACER PLATE, SIDE WALLS, 2411+
23	1	411000003		DECAL RED STRIP (REFLECTIVE LIGHT)
37	21	BLT8C_1x2_1-2	AFB-00036	BOLT GR. 8 UNC 1" X 2-1/2"
42	6	BLT8C_3-8x1_FLG	AFB-00128	BOLT GR 5. 3/8" X 1" FLANGE
43	6	BLT8C_5-8x1_1-2 FHC	AFB-00200	BOLT GR. 8 UNC 5/8" X 1-1/2" FLAT SOCKET CAP
44	2	BLT8C_5-8x1_3-4		BOLT GR. 8 UNC 5/8" X 1-3/4"
48	2	NUT8C_1_NYL	AFN-00077	NUT GR. 8 UNC 1" NYLON LOCK
52	2	NUT8C_5-8_NYL	AFN-00081	NUT: GR. 8 UNC 5/8" NYLON LOCK
54	6	WSH8_1_STR	AFW-00011	1" STRUCTURAL WASHER
55	2	WSH8_5-8_STR	AFW-00043	WASHER GR. 8 - 5/8" STRUCTURAL

SECTION 1.06

STRUCTURAL

2811/3413 LEFT SIDEWALL
(311001116_S_X)

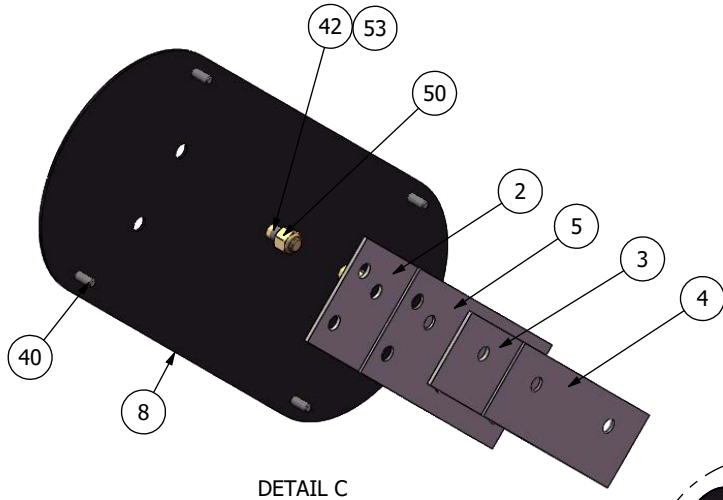


ITEM	QTY.	PART NUMBER	ALT. P.N.	DESCRIPTION
6	1	111000714_cb_X-CY	504869	APRON BULKHEAD, LEFT SIDE WALL, 2411+
7	1	111000717_c_N-CY	500836	WASHER, LIGHT MOUNT
9	1	111002009_cm_N-CG	505276	PIN CAP FOR 2" PIN, 1.25" DIA. BOLT CIRCLE
10	1	111002373_c_XY		OUTER TAIL PLATE, 2411+
12	1	211000173_sm_W-CY	504673	TAPPED AXLE MOUNT BLOCK, 2411+
13	2	211000174_sm_W-CY	504035	AXLE CLAMP BLOCK, 1509+
14	1	311000292_w_PIN-CG	601425	MULTI USE PIN, 1509+
15	1	311000294_w_PIN-CG	601547	FRONT SECTION PIVOT PIN, 2411+
16	1	311000302_w_S-CY	600909	LIGHT HOUSING, BOLT-ON
17	1	311001094_w_PIN-CG		LIFT PIN, 1509+
18	1	311001116_w_X		LEFT SIDE WALL, 2811/3413
19	1	311001148_w_X		LEFT LIFT EAR, 2411+
20	1	404000003		POLY BUSHING: 2" ID, 2.5" OD, 3" LENGTH
21	2	404000132	400374	POLY BUSHING, 2.50 X 3.00 X 2.25
23	1	411000004		DECAL - REFLECTIVE TAPE, YELLOW
24	1	411000040	750464	DECAL - WARNING HIGH-PRESSURE HYD
25	1	411000102		DECAL TIE-DOWN
26	1	411000261	ADS-00011	DECAL - CRUSHING HAZARD
27	3	411000278	ADS-00083	DECAL - GREASELESS POINT ROUND
28	2	411000281	ADS-00091	DECAL - LIFT POINT ROUND
29	1	411000293	ADS-00096	2811 DECAL
30	1	411000375		DECAL - AI LOGO EXTRA LARGE
31	1	413000068	123357	CAT ROUTER BIT
32	2	BLT8C_1-2x1_1-2	AFB-00015	BOLT: GR. 8. UNC 1/2" X 1-1/2"
33	3	BLT8C_1-2x1_1-2 FHC	AFB-00185	BOLT GR. 8 UNC 1/2" X 1-1/2" FLAT SOCKET CAP
34	1	BLT8C_1-1-4x2_1-2		BOLT GR. 8 UNC 1-1/4" X 2-1/2"
35	24	BLT8C_1x2_1-2	AFB-00036	BOLT GR. 8 UNC 1" X 2-1/2"
36	5	BLT8C_1x3	AFB-00018	BOLT GR. 8 UNC 1" x 3"
37	2	BLT8C_1x5_1-2		BOLT GR. 8 UNC 1" x 5-1/2"
38	12	BLT8C_3-4x2_1-2	AFB-00005	BOLT GR. 8 UNC 3/4" X 2-1/2"
39	3	BLT8C_3-4x2_3-4	AFB-00218	BOLT: GR. 8 UNCE 3/4" X 2-3/4
40	6	BLT8C_3-8x1_FLG	AFB-00128	BOLT GR 5. 3/8" X 1" FLANGE
43	5	NUT8C_1	AFN-00012	NUT GR. 8 UNC 1"
44	1	NUT8C_1-2	AFN-00015	NUT GR. 8 UNC 1/2"
45	1	NUT8C_1_1-4_STL		NUT GR. 8 UNC 1-1/4" STOVER LOCK
47	1	NUT8C_1_STL	AFN-00037	STOVER NUT: 1" UNC
48	15	NUT8C_3-4_STL	AFN-00062	STOVER NUT: 3/4" UNC
49	2	NUT8C_3-8_NYL	AFN-00044	NUT GR. 8 NYLON LOCK 3/8" UNC
51	2	WSH8_1-2_STR	AFW-00044	WASHER GR. 8 - 1/2" STRUCTURAL
52	6	WSH8_1_STR	AFW-00011	1" STRUCTURAL WASHER

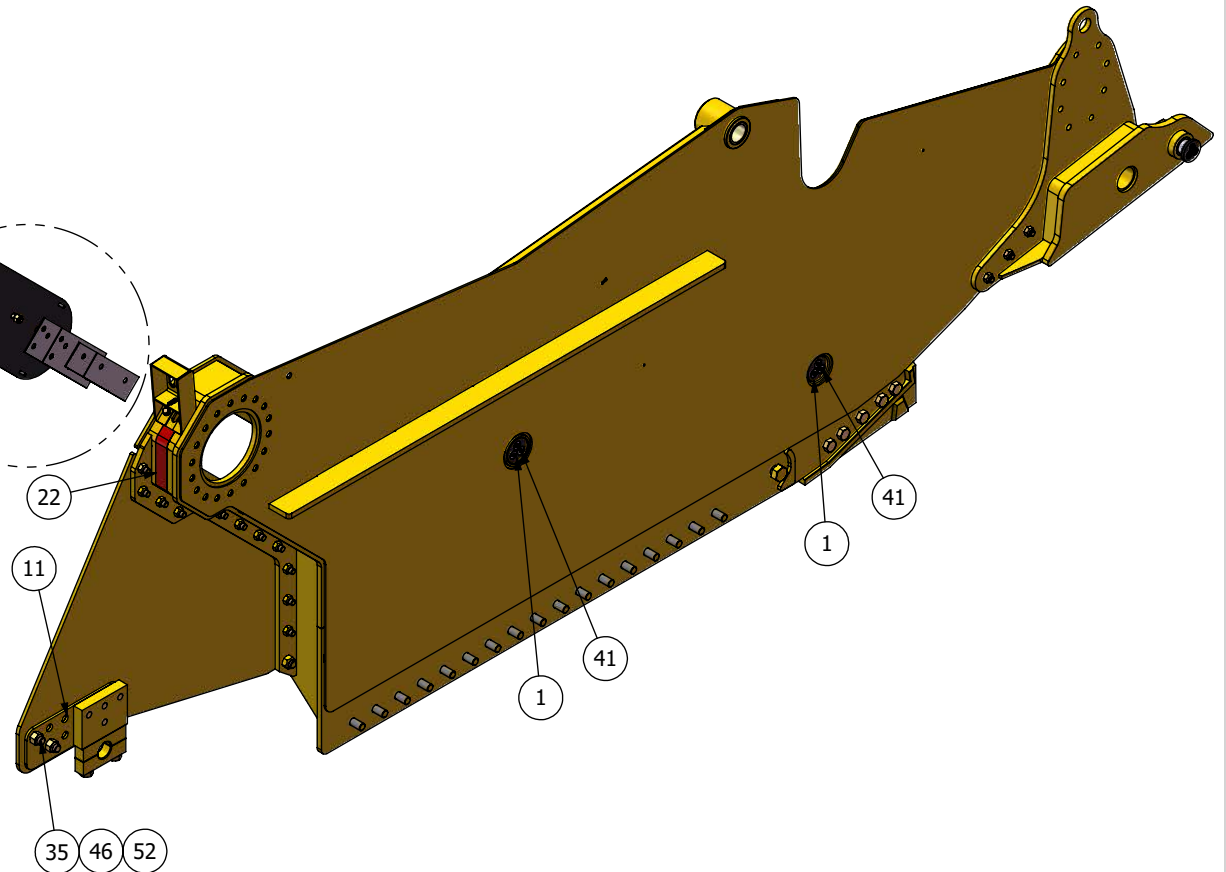
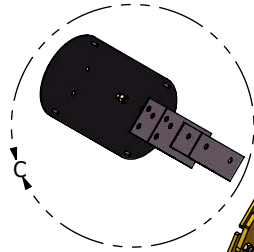
SECTION 1.06

STRUCTURAL

2811/3413 LEFT SIDEWALL
(311001116_S_X)



DETAIL C

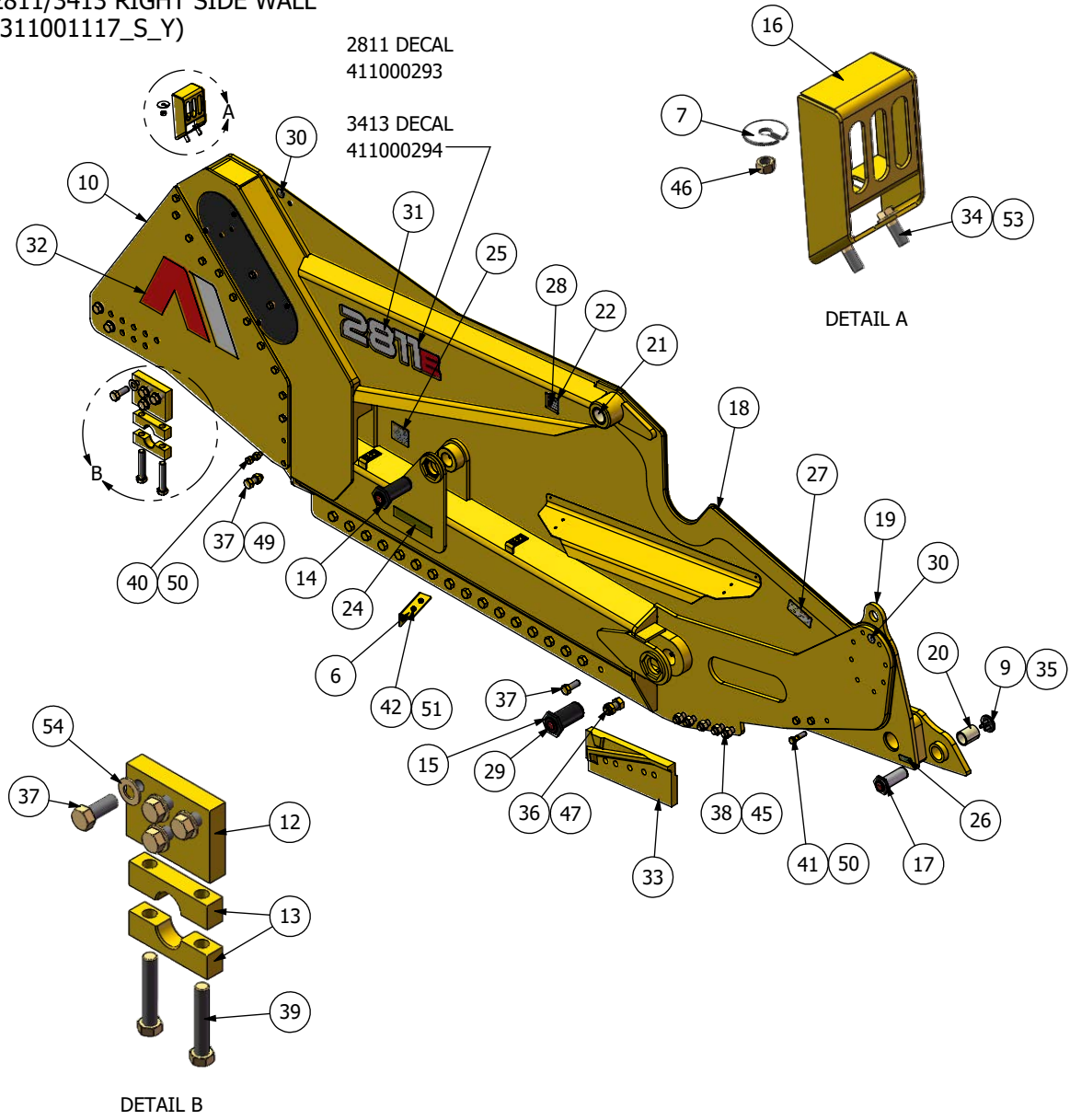


ITEM	QTY.	PART NUMBER	ALT. P.N.	DESCRIPTION
1	2	111000551_cm_N-CG	504525	PIN CAP FOR 2" & 3" PIN, 1.50" DIA. BOLT CIRCLE
2	1	111000653_c_E	504847	3/16" TAIL SLIDER BLOCK SHIM, PUSH OFF, 1812+
3	1	111000663_c_E	504846	3/16" SLIDER BLOCK SHIM, PUSH OFF, 1812+
4	1	111000711_c_E	504263	SLIDER BLOCK SHIM, PUSH OFF, 1812+
5	1	111000712_c_E	504677	TAIL SLIDER BLOCK SIM, PUSH OFF, 1812+
8	1	111001043_c_XY-CG		HYDRAULIC COVER, SIDE WALLS, 1509+
11	1	111002374_c_XY-CY		TAIL SPACER PLATE, SIDE WALLS, 2411+
22	1	411000003		DECAL RED STRIP (REFLECTIVE LIGHT)
35	24	BLT8C_1x2_1-2	AFB-00036	BOLT GR. 8 UNC 1" X 2-1/2"
40	6	BLT8C_3-8x1_FLG	AFB-00128	BOLT GR 5. 3/8" X 1" FLANGE
41	6	BLT8C_5-8x1_1-2 FHC	AFB-00200	BOLT GR. 8 UNC 5/8" X 1-1/2" FLAT SOCKET CAP
42	2	BLT8C_5-8x1_3-4		BOLT GR. 8 UNC 5/8" X 1-3/4"
46	2	NUT8C_1_NYL	AFN-00077	NUT GR. 8 UNC 1" NYLON LOCK
50	2	NUT8C_5-8_NYL	AFN-00081	NUT: GR. 8 UNC 5/8" NYLON LOCK
52	6	WSH8_1_STR	AFW-00011	1" STRUCTURAL WASHER
53	2	WSH8_5-8_STR	AFW-00043	WASHER GR. 8 - 5/8" STRUCTURAL

SECTION 1.06

STRUCTURAL

2811/3413 RIGHT SIDE WALL
(311001117_S_Y)

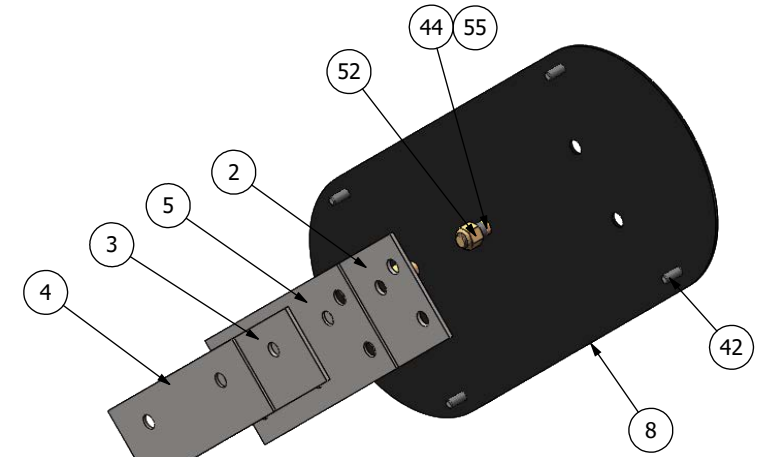
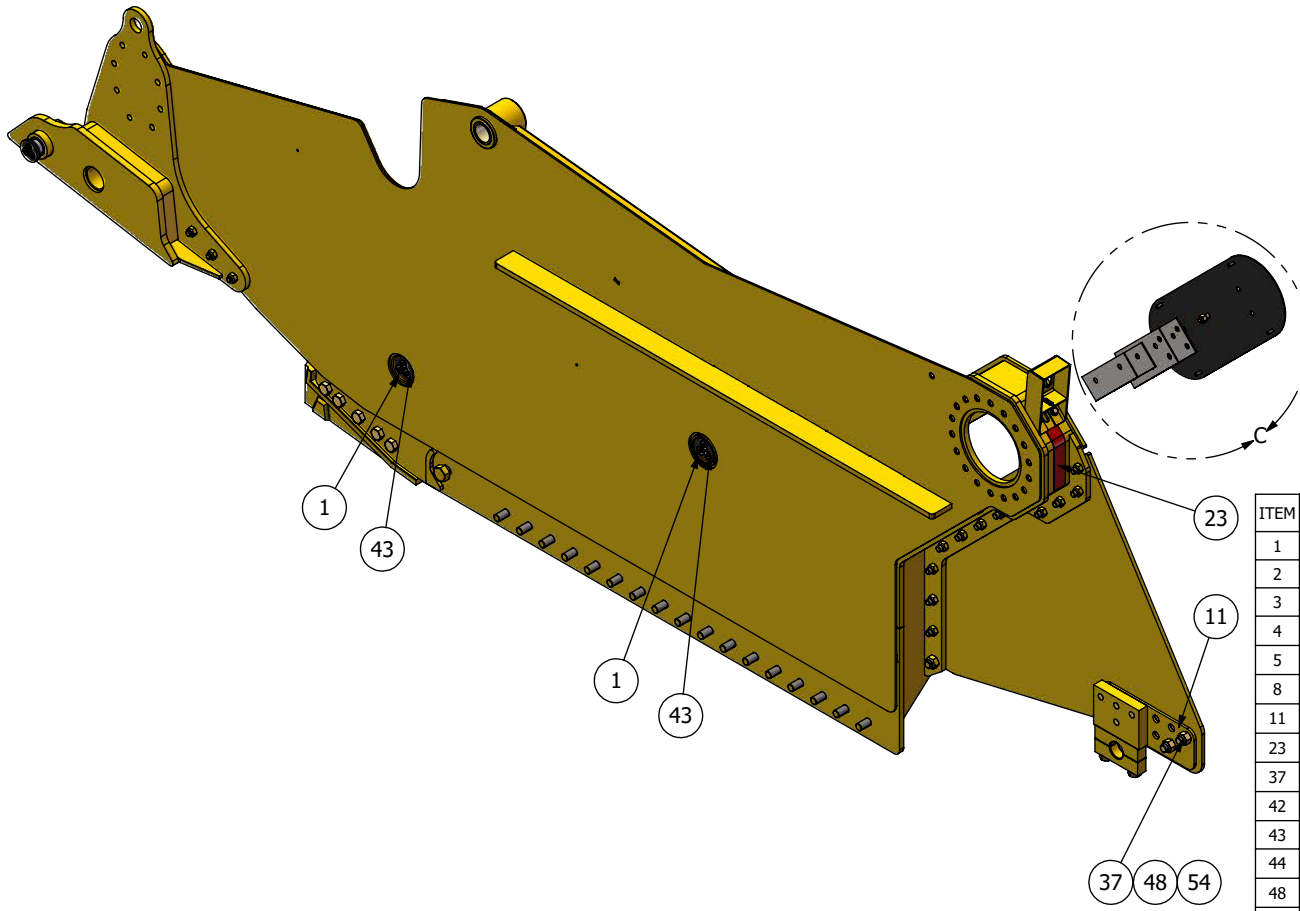


ITEM	QTY.	PART NUMBER	ALT. P.N.	DESCRIPTION
6	1	111000715_cb_Y-CY		APRON BULKHEAD, LEFT SIDE WALL, 2411+
7	1	111000717_c_N-CY	500836	WASHER, LIGHT MOUNT
9	1	111002009_cm_N-CG	505276	PIN CAP FOR 2" PIN, 1.25" DIA. BOLT CIRCLE
10	1	111002373_c_XY		OUTER TAIL PLATE, 2411+
12	1	211000173_sm_W-CY	504673	TAPPED AXLE MOUNT BLOCK, 2411+
13	2	211000174_sm_W-CY	504035	AXLE CLAMP BLOCK, 1509+
14	1	311000292_w_PIN-CG	601425	MULTI USE PIN, 1509+
15	1	311000294_w_PIN-CG	601547	FRONT SECTION PIVOT PIN, 2411+
16	1	311000302_w_S-CY	600909	LIGHT HOUSING, BOLT-ON
17	1	311001094_w_PIN-CG		LIFT PIN, 1509+
18	1	311001117_w_Y		RIGHT SIDE WALL, 2811/3413
19	1	311001149_w_Y		RIGHT LIFT EAR, 2411+
20	1	404000003		POLY BUSHING: 2" ID, 2.5" OD, 3" LENGTH
21	2	404000132	400374	POLY BUSHING, 2.50 X 3.00 X 2.25
22	4	405000135		#4 X 5/16" U-DRIVE SCREW, ROUND HEAD
24	1	411000004		DECAL - REFLECTIVE TAPE, YELLOW
25	1	411000040	750464	DECAL - WARNING HIGH-PRESSURE HYD
26	1	411000102		DECAL TIE-DOWN
27	1	411000261	ADS-00011	DECAL - CRUSHING HAZARD
28	1	411000263		SERIAL NUMBER PLATE
29	3	411000278	ADS-00083	DECAL - GREASELESS POINT ROUND
30	2	411000281	ADS-00091	DECAL - LIFT POINT ROUND
31	1	411000293	ADS-00096	2811 DECAL
32	1	411000375		DECAL - AI LOGO EXTRA LARGE
33	1	413000068	123357	CAT ROUTER BIT
34	2	BLT8C_1-2x1_1-2	AFB-00015	BOLT: GR. 8. UNC 1/2" X 1-1/2"
35	3	BLT8C_1-2x1_1-2 FHC	AFB-00185	BOLT GR. 8 UNC 1/2" X 1-1/2" FLAT SOCKET CAP
36	1	BLT8C_1_1-4x2_1-2		BOLT GR. 8 UNC 1-1/4" X 2-1/2"
37	24	BLT8C_1x2_1-2	AFB-00036	BOLT GR. 8 UNC 1" X 2-1/2"
38	5	BLT8C_1x3	AFB-00018	BOLT GR. 8 UNC 1" x 3"
39	2	BLT8C_1x5_1-2		BOLT GR. 8 UNC 1" x 5-1/2"
40	12	BLT8C_3-4x2_1-2	AFB-00005	BOLT GR. 8 UNC 3/4" X 2-1/2"
41	3	BLT8C_3-4x2_3-4	AFB-00218	BOLT: GR. 8 UNCE 3/4" X 2-3/4
42	6	BLT8C_3-8x1_FLG	AFB-00128	BOLT GR 5. 3/8" X 1" FLANGE
45	5	NUT8C_1	AFN-00012	NUT GR. 8 UNC 1"
46	1	NUT8C_1-2	AFN-00015	NUT GR. 8 UNC 1/2"
47	1	NUT8C_1_1-4_STL		NUT GR. 8 UNC 1-1/4" STOVER LOCK
49	1	NUT8C_1_STL	AFN-00037	STOVER NUT: 1" UNC
50	15	NUT8C_3-4_STL	AFN-00062	STOVER NUT: 3/4" UNC
51	2	NUT8C_3-8_NYL	AFN-00044	NUT GR. 8 NYLON LOCK 3/8" UNC
53	2	WSH8_1-2_STR	AFW-00044	WASHER GR. 8 - 1/2" STRUCTURAL
54	6	WSH8_1_STR	AFW-00011	1" STRUCTURAL WASHER

SECTION 1.06

STRUCTURAL

2811/3413 RIGHT SIDE WALL
(311001117_S_Y)



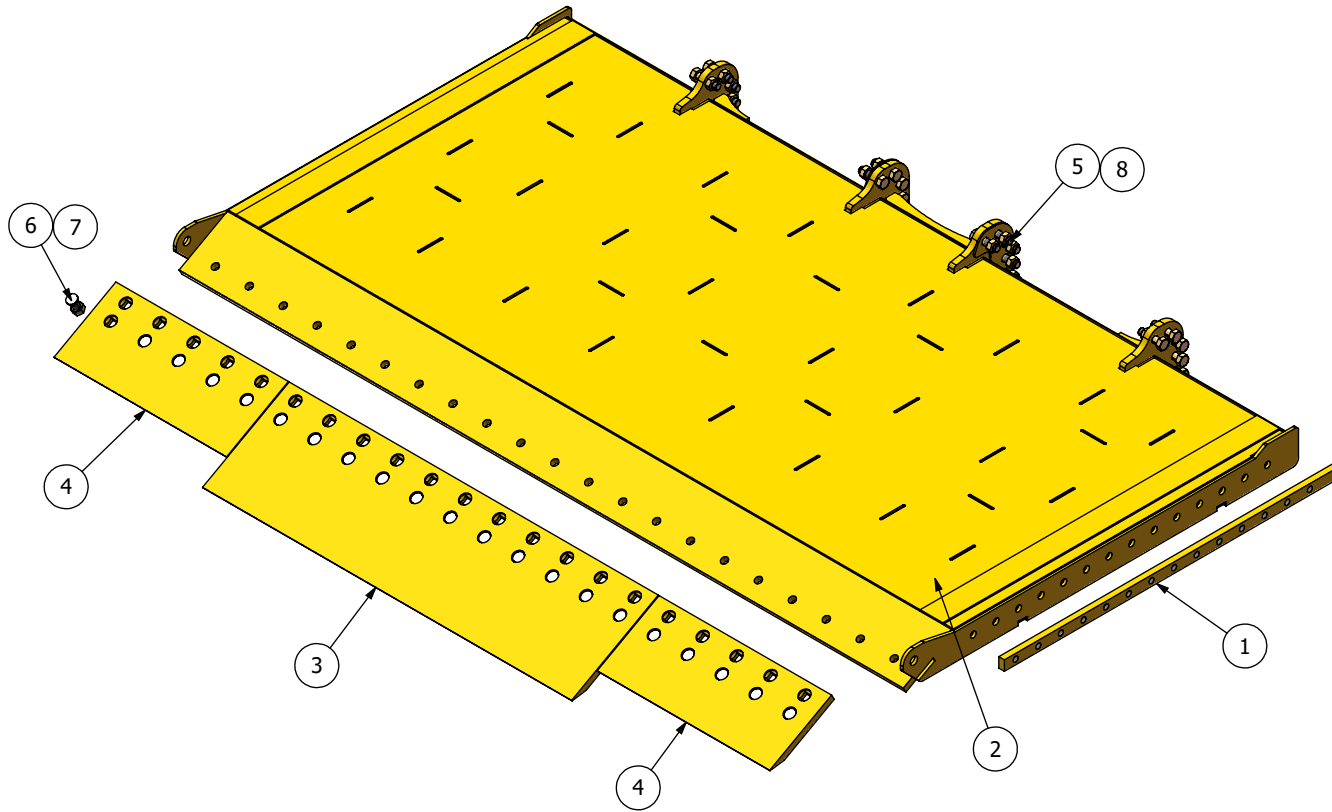
DETAIL C

ITEM	QTY.	PART NUMBER	ALT. P.N.	DESCRIPTION
1	2	111000551_cm_N-CG	504525	PIN CAP FOR 2" & 3" PIN, 1.50" DIA. BOLT CIRCLE
2	1	111000653_c_E	504847	3/16" TAIL SLIDER BLOCK SHIM, PUSH OFF, 1812+
3	1	111000663_c_E	504846	3/16" SLIDER BLOCK SHIM, PUSH OFF, 1812+
4	1	111000711_c_E	504263	SLIDER BLOCK SHIM, PUSH OFF, 1812+
5	1	111000712_c_E	504677	TAIL SLIDER BLOCK SIM, PUSH OFF, 1812+
8	1	111001043_c_XY-CG		HYDRAULIC COVER, SIDE WALLS, 1509+
11	1	111002374_c_XY-CY		TAIL SPACER PLATE, SIDE WALLS, 2411+
23	1	411000003		DECAL RED STRIP (REFLECTIVE LIGHT)
37	24	BLT8C_1x2_1-2	AFB-00036	BOLT GR. 8 UNC 1" X 2-1/2"
42	6	BLT8C_3-8x1_FLG	AFB-00128	BOLT GR 5. 3/8" X 1" FLANGE
43	6	BLT8C_5-8x1_1-2 FHC	AFB-00200	BOLT GR. 8 UNC 5/8" X 1-1/2" FLAT SOCKET CAP
44	2	BLT8C_5-8x1_3-4		BOLT GR. 8 UNC 5/8" X 1-3/4"
48	2	NUT8C_1_NYL	AFN-00077	NUT GR. 8 UNC 1" NYLON LOCK
52	2	NUT8C_5-8_NYL	AFN-00081	NUT: GR. 8 UNC 5/8" NYLON LOCK
54	6	WSH8_1_STR	AFW-00011	1" STRUCTURAL WASHER
55	2	WSH8_5-8_STR	AFW-00043	WASHER GR. 8 - 5/8" STRUCTURAL

SECTION 1.07

STRUCTURAL

2411 FLOOR
(311001261_S_F)

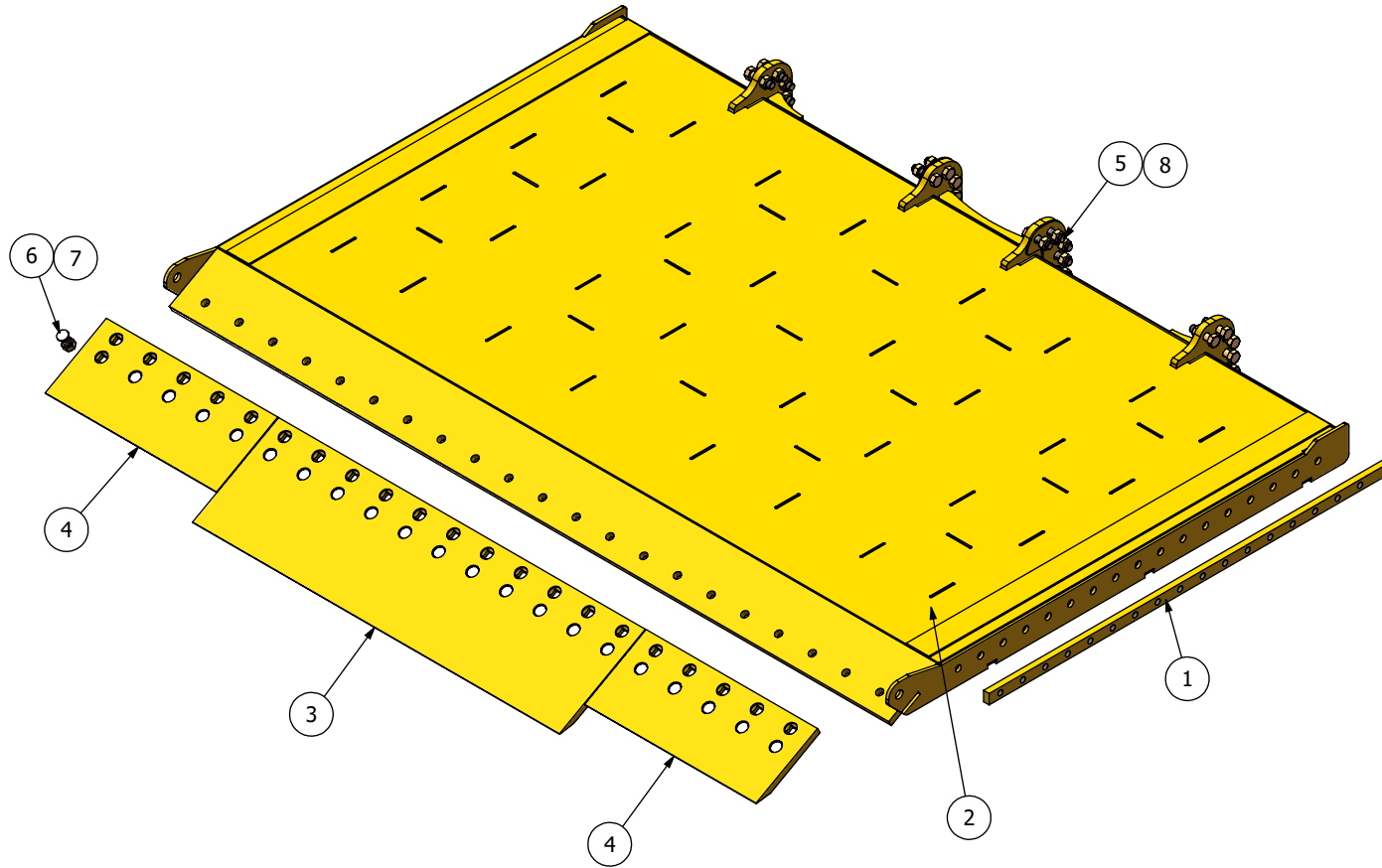


ITEM	QTY.	PART NUMBER	ALT. P.N.	DESCRIPTION
1	2	211000163_sm_F	504730	FLOOR NUT, 2411 / 3013
2	1	311001261_w_F		FLOOR, 2411
3	1	413002009	400597	CENTER BLADE, 2411+
4	2	413002010	400668	OUTER BLADE, 2411 / 2811
5	20	BLT8C_1x3_1-2	AFB-00086	BOLT GR. 8 UNC 1" X 3-1/2"
6	21	BLT8C_1x3_PLW	PB1P-NC-100-0275	BOLT GR. 8 UNC 1" X 3" PLOW
7	21	NUT8C_1	AFN-00012	NUT GR. 8 UNC 1"
8	20	NUT8C_1_STL	AFN-00037	STOVER NUT: 1" UNC

SECTION 1.07

STRUCTURAL

2811 FLOOR
(311001262_S_F)

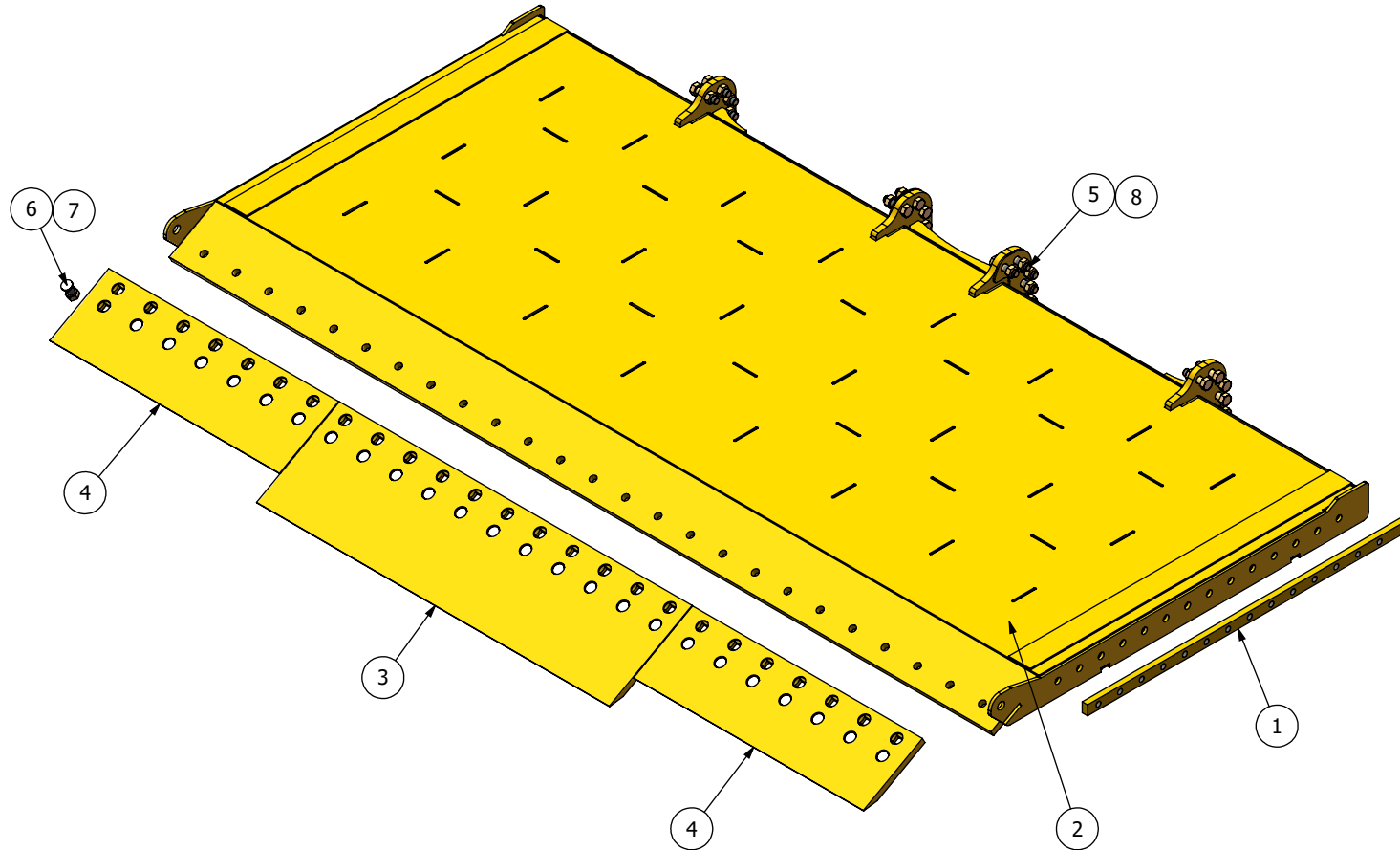


ITEM	QTY.	PART NUMBER	ALT. P.N.	DESCRIPTION
1	3	211000209_sm_F	504308	FLOOR NUT, 2811 / 3413
2	1	311001262_w_F		FLOOR, 2811
3	1	413002009	400597	CENTER BLADE, 2411+
4	2	413002010	400668	OUTER BLADE, 2411 / 2811
5	20	BLT8C_1x3_1-2	AFB-00086	BOLT GR. 8 UNC 1" X 3-1/2"
6	21	BLT8C_1x3_PLW	PB1P-NC-100-0275	BOLT GR. 8 UNC 1" X 3" PLOW
7	21	NUT8C_1	AFN-00012	NUT GR. 8 UNC 1"
8	20	NUT8C_1_STL	AFN-00037	STOVER NUT: 1" UNC

SECTION 1.07

STRUCTURAL

3013 FLOOR
(311001260_S_F)

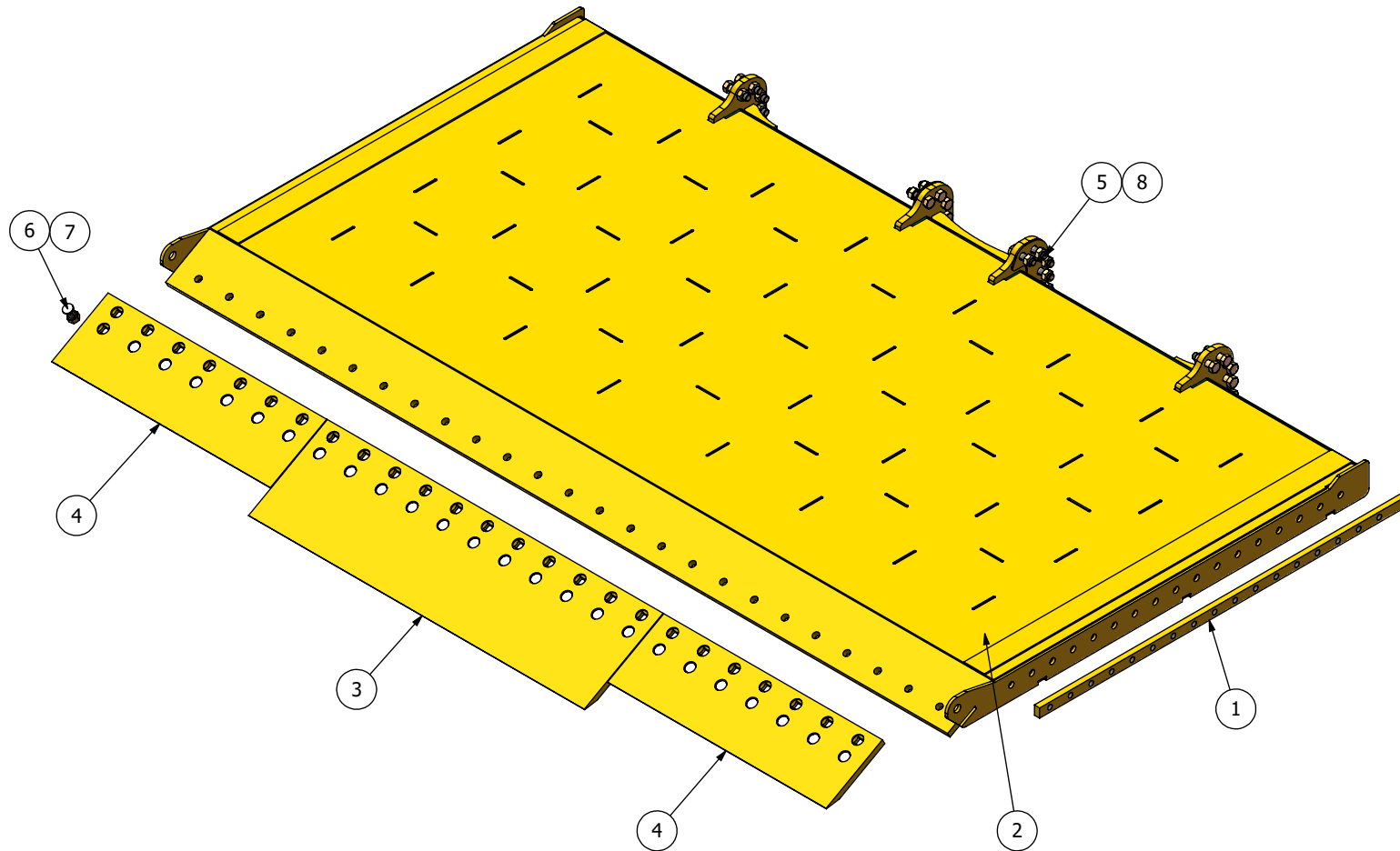


ITEM	QTY.	PART NUMBER	ALT. P.N.	DESCRIPTION
1	2	211000163_sm_F	504730	FLOOR NUT, 2411 / 3013
2	1	311001260_w_F		FLOOR, 3013
3	1	413002009	400597	CENTER BLADE, 2411+
4	2	413002014	400598	OUTER BLADE, 3013 / 3413
5	20	BLT8C_1x3_1-2	AFB-00086	BOLT GR. 8 UNC 1" X 3-1/2"
6	25	BLT8C_1x3_PLW	PB1P-NC-100-0275	BOLT GR. 8 UNC 1" X 3" PLOW
7	25	NUT8C_1	AFN-00012	NUT GR. 8 UNC 1"
8	20	NUT8C_1_STL	AFN-00037	STOVER NUT: 1" UNC

SECTION 1.07

STRUCTURAL

3413 FLOOR
(311001263_S_F)

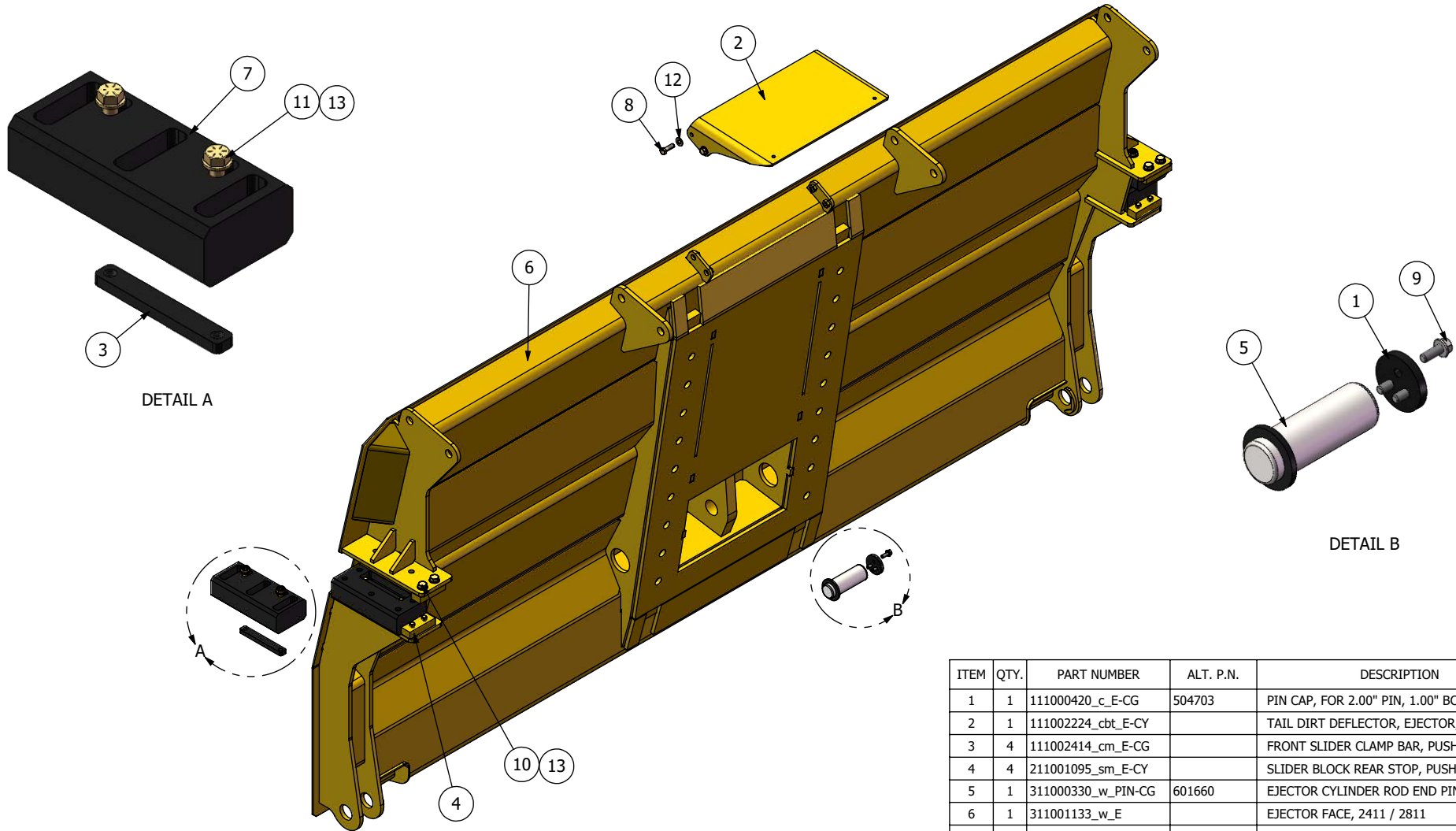


ITEM	QTY.	PART NUMBER	ALT. P.N.	DESCRIPTION
1	2	211000209_sm_F	504308	FLOOR NUT, 2811 / 3413
2	1	311001263_w_F		FLOOR, 3413
3	1	413002009	400597	CENTER BLADE, 2411+
4	2	413002014	400598	OUTER BLADE, 3013 / 3413
5	20	BLT8C_1x3_1-2	AFB-00086	BOLT GR. 8 UNC 1" X 3-1/2"
6	25	BLT8C_1x3_PLW	PB1P-NC-100-0275	BOLT GR. 8 UNC 1" X 3" PLOW
7	25	NUT8C_1	AFN-00012	NUT GR. 8 UNC 1"
8	20	NUT8C_1_STL	AFN-00037	STOVER NUT: 1" UNC

SECTION 1.08

STRUCTURAL

2411/2811 EJECTOR FACE
(311001133_E)

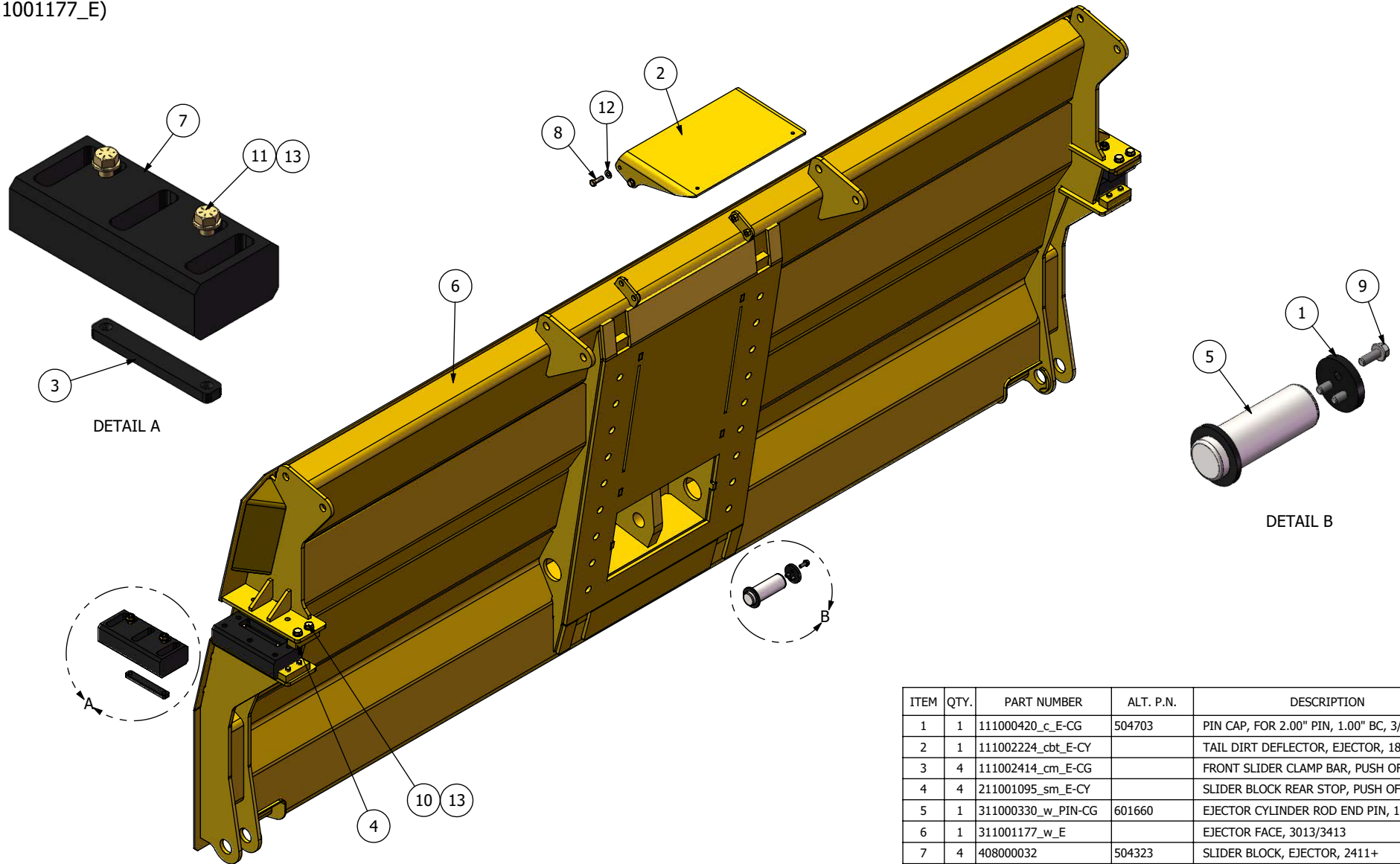


ITEM	QTY.	PART NUMBER	ALT. P.N.	DESCRIPTION
1	1	111000420_c_E-CG	504703	PIN CAP, FOR 2.00" PIN, 1.00" BC, 3/8" BOLTS
2	1	111002224_cbt_E-CY		TAIL DIRT DEFLECTOR, EJECTOR, 1812+
3	4	111002414_cm_E-CG		FRONT SLIDER CLAMP BAR, PUSH OFF, 2411+
4	4	211001095_sm_E-CY		SLIDER BLOCK REAR STOP, PUSH OFF, 2411+
5	1	311000330_w_PIN-CG	601660	EJECTOR CYLINDER ROD END PIN, 1509+
6	1	311001133_w_E		EJECTOR FACE, 2411 / 2811
7	4	408000032	504323	SLIDER BLOCK, EJECTOR, 2411+
8	4	BLT8C_1-2x1_1-2	AFB-00015	BOLT: GR 8. UNC 1/2" X 1-1/2"
9	3	BLT8C_3-8x1_FLG	AFB-00128	BOLT GR 5. 3/8" X 1" FLANGE
10	8	BLT8C_5-8x2	AFB-00047	BOLT GR. 8 UNC 5/8" X 2"
11	8	BLT8C_5-8x3_1-4		BOLT GR. 8 5/8" X 3-1/4"
12	4	WSH8_1-2_STR	AFW-00044	WASHER GR. 8 - 1/2" STRUCTURAL
13	16	WSH8_5-8_STR	AFW-00043	WASHER GR. 8 - 5/8" STRUCTURAL

SECTION 1.08

STRUCTURAL

3013/3413 EJECTOR FACE
(311001177_E)

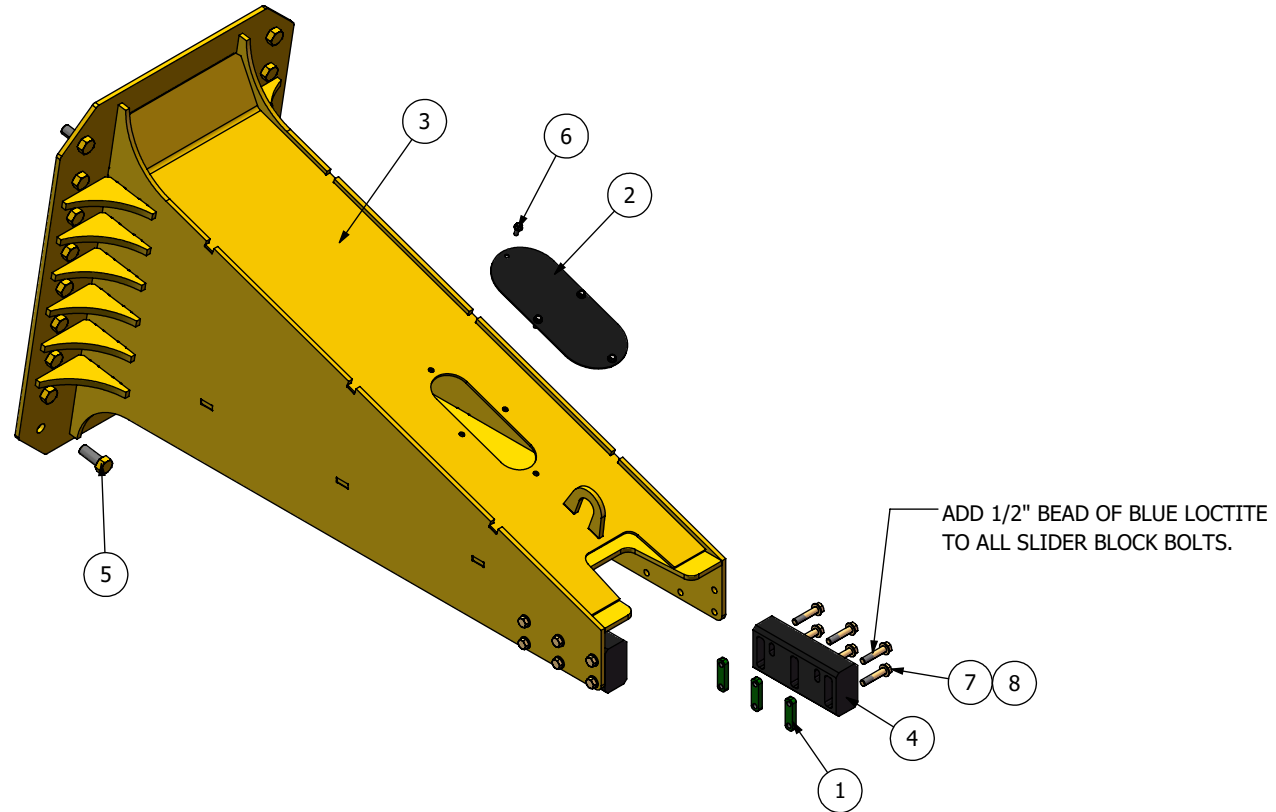


ITEM	QTY.	PART NUMBER	ALT. P.N.	DESCRIPTION
1	1	111000420_c_E-CG	504703	PIN CAP, FOR 2.00" PIN, 1.00" BC, 3/8" BOLTS
2	1	111002224_cbt_E-CY		TAIL DIRT DEFLECTOR, EJECTOR, 1812+
3	4	111002414_cm_E-CG		FRONT SLIDER CLAMP BAR, PUSH OFF, 2411+
4	4	211001095_sm_E-CY		SLIDER BLOCK REAR STOP, PUSH OFF, 2411+
5	1	311000330_w_PIN-CG	601660	EJECTOR CYLINDER ROD END PIN, 1509+
6	1	311001177_w_E		EJECTOR FACE, 3013/3413
7	4	408000032	504323	SLIDER BLOCK, EJECTOR, 2411+
8	4	BLT8C_1-2x1_1-2	AFB-00015	BOLT: GR 8. UNC 1/2" X 1-1/2"
9	3	BLT8C_3-8x1_FLG	AFB-00128	BOLT GR 5. 3/8" X 1" FLANGE
10	8	BLT8C_5-8x2	AFB-00047	BOLT GR. 8 UNC 5/8" X 2"
11	8	BLT8C_5-8x3_1-4		BOLT GR. 8 5/8" X 3-1/4"
12	4	WSH8_1-2_STR	AFW-00044	WASHER GR. 8 - 1/2" STRUCTURAL
13	16	WSH8_5-8_STR	AFW-00043	WASHER GR. 8 - 5/8" STRUCTURAL

SECTION 1.09

STRUCTURAL

2411/3013 EJECTOR TAIL
(311001168_E)

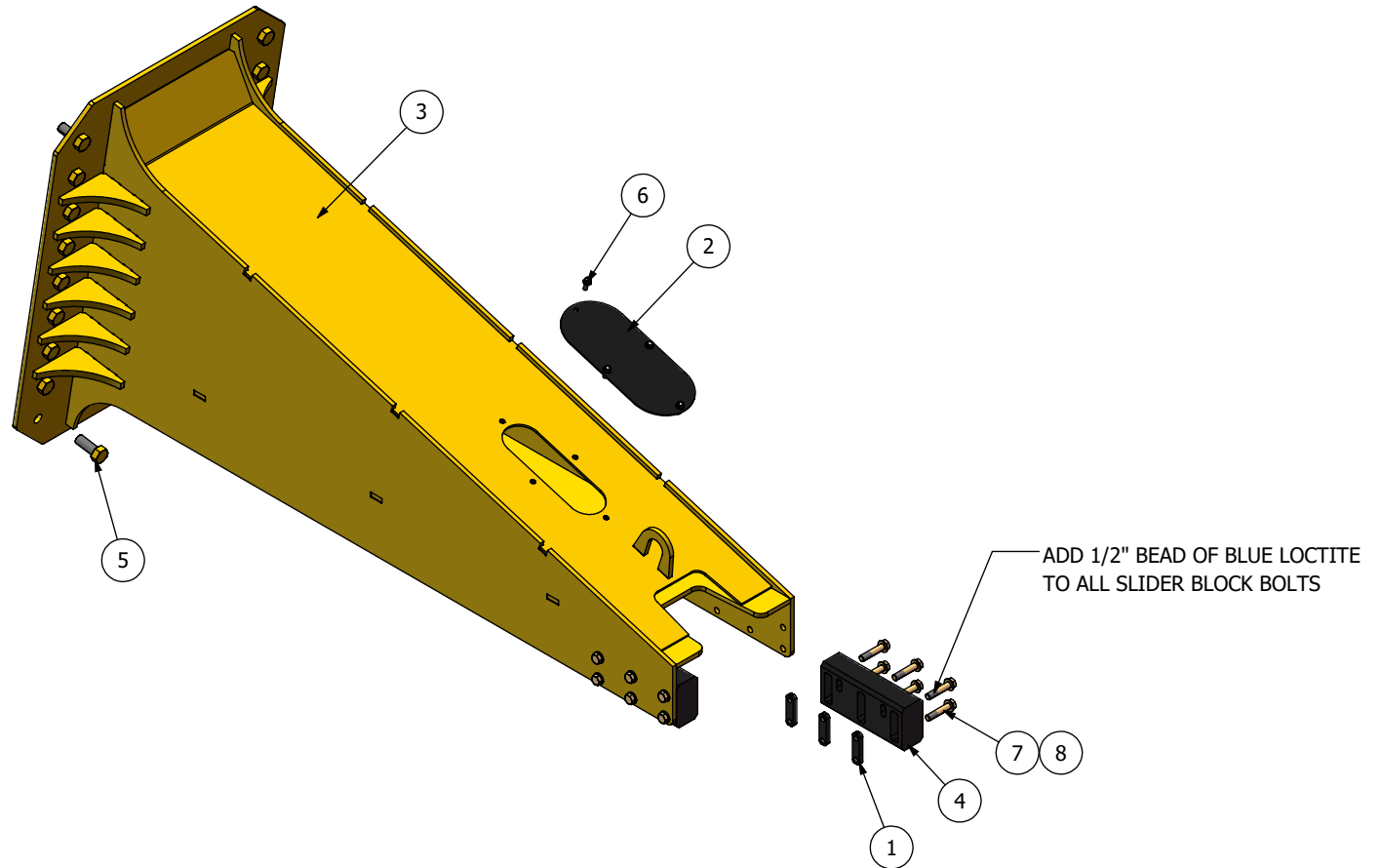


ITEM	QTY.	PART NUMBER	ALT. P.N.	DESCRIPTION
1	6	111000709_cm_E-CG	504844	SLIDER BLOCK NUT, 1812+
2	1	111000883_c_E-CG	505558	HYDRAULIC ACCESS COVER W. 3/8" BOLTS, PUSH OFF, 1812+
3	1	311001168_w_E		EJECTOR TAIL, 2411 / 3013
4	2	408000032	504323	SLIDER BLOCK, EJECTOR, 2411+
5	18	BLT8C_1x2_1-2	AFB-00036	BOLT GR. 8 UNC 1" X 2-1/2"
6	4	BLT8C_3-8x1_FLG	AFB-00128	BOLT GR 5. 3/8" X 1" FLANGE
7	12	BLT8C_5-8x3	AFB-00120	BOLT GR. 8 UNC 5/8" X 3"
8	12	WSH8_5-8_STR	AFW-00043	WASHER GR. 8 - 5/8" STRUCTURAL

SECTION 1.09

STRUCTURAL

2811/3413 EJECTOR TAIL
(311001147_E)

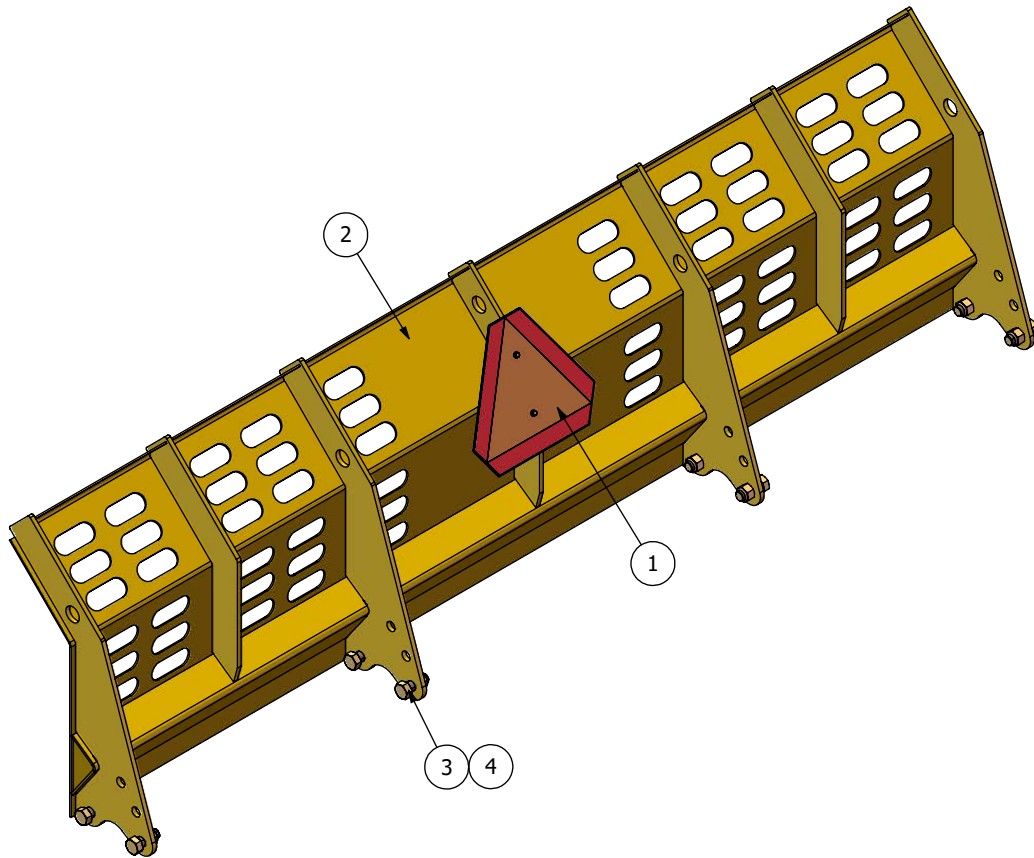
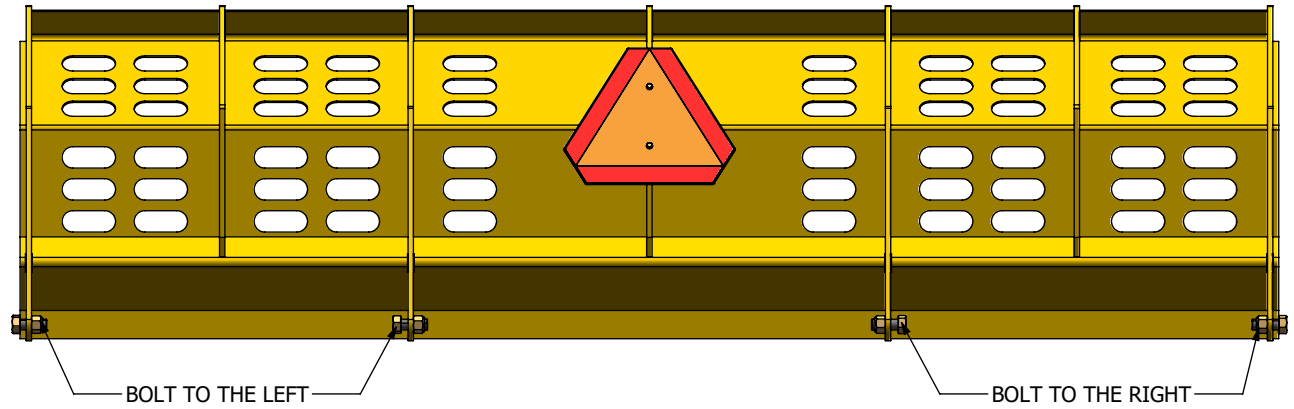


ITEM	QTY.	PART NUMBER	ALT. P.N.	DESCRIPTION
1	6	111000709_cm_E-CG	504844	SLIDER BLOCK NUT, 1812+
2	1	111000883_c_E-CG	505558	HYDRAULIC ACCESS COVER W. 3/8" BOLTS, PUSH OFF, 1812+
3	1	311001147_w_E		EJECTOR TAIL, 2811 / 3413
4	2	408000032	504323	SLIDER BLOCK, EJECTOR, 2411+
5	18	BLT8C_1x2_1-2	AFB-00036	BOLT GR. 8 UNC 1" X 2-1/2"
6	4	BLT8C_3-8x1_FLG	AFB-00128	BOLT GR 5. 3/8" X 1" FLANGE
7	12	BLT8C_5-8x3	AFB-00120	BOLT GR. 8 UNC 5/8" X 3"
8	12	WSH8_5-8_STR	AFW-00043	WASHER GR. 8 - 5/8" STRUCTURAL

SECTION 1.10

STRUCTURAL

2411/2811 HEADACHE RACK
(311000316_E_R)



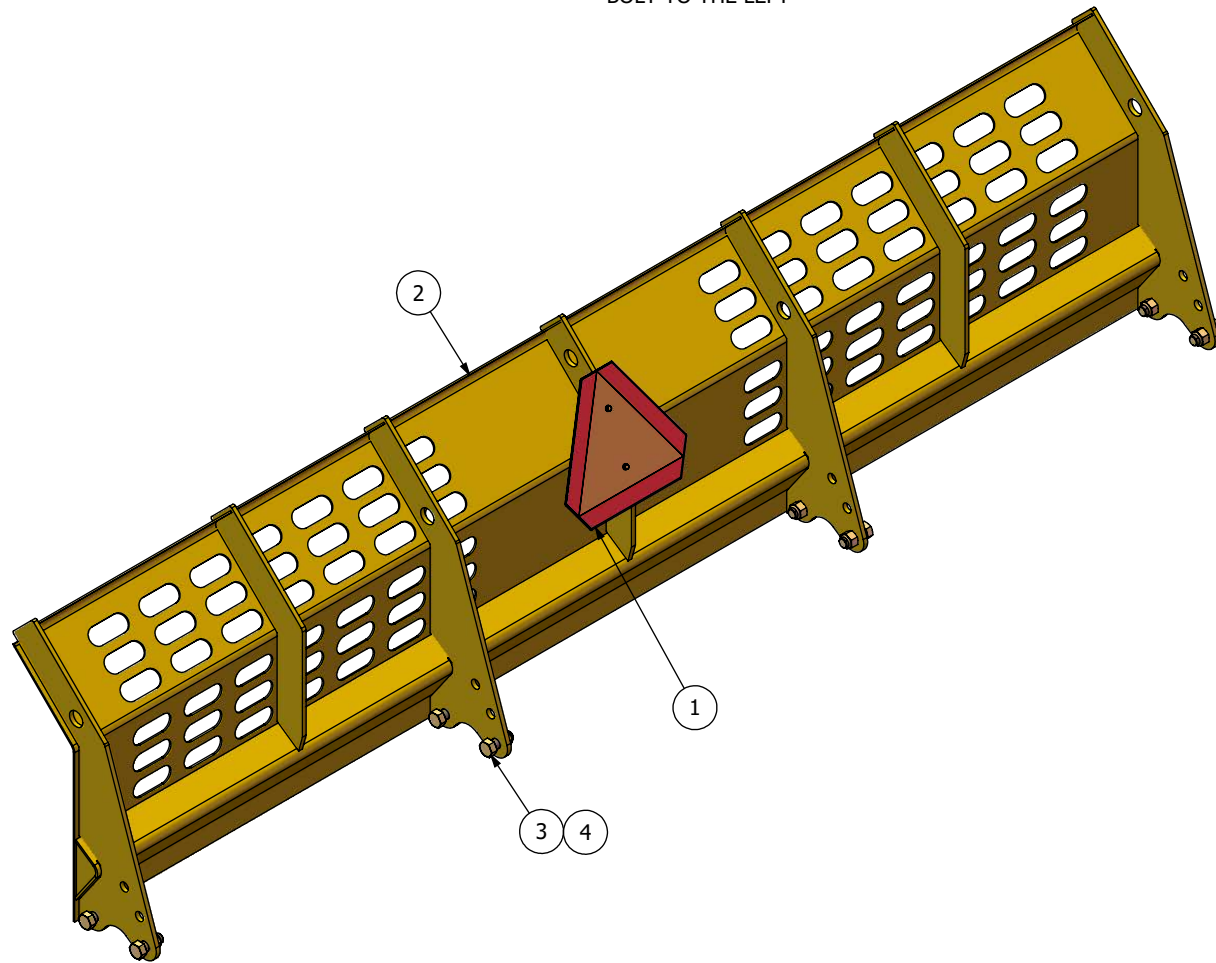
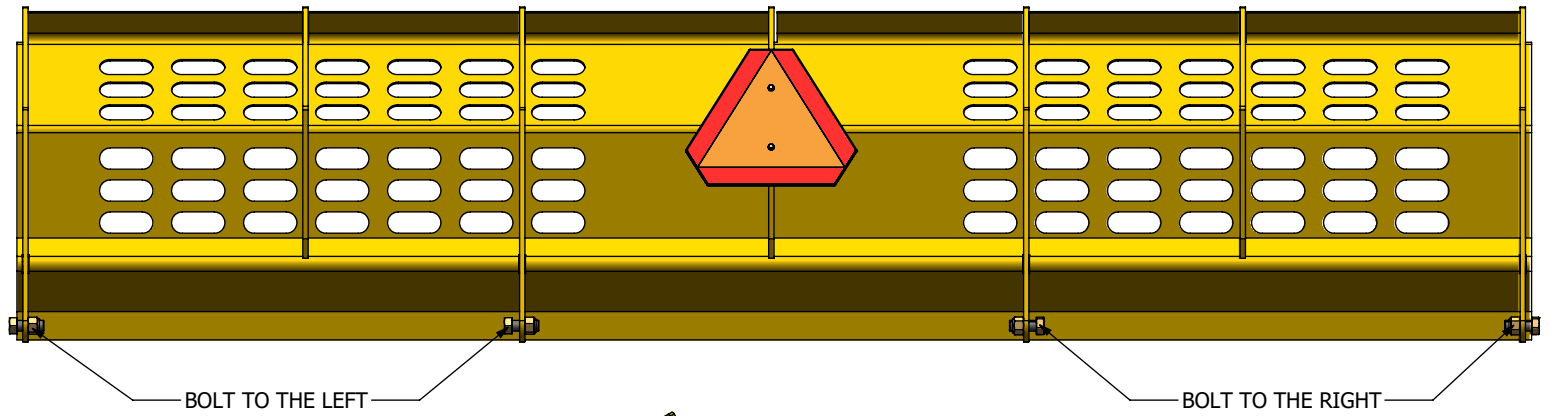
KITS	
301100314	
QTY	DESCRIPTION
1	SMV Sign
2	Bolt Gr. 8 UNC 1/4" x 3/4"
2	Nut Gr. 8 UNC 1/4" Stover Lock
2	Washer Gr. 8 - 1/4" Structural

ITEM	QTY.	PART NUMBER	ALT. P.N.	DESCRIPTION
1	1	301100314 KIT		SMV SIGN, 6" HOLE SPACING
2	1	311000316_w_R	601463	HEADACHE RACK, 2411 / 2811
3	8	BLT8C_1x2_1-2	AFB-00036	BOLT GR. 8 UNC 1" X 2-1/2"
4	8	NUT8C_1_NYL	AFN-00077	NUT GR. 8 UNC 1" NYLON LOCK

SECTION 1.10

STRUCTURAL

3013/3413 HEADACHE RACK
(311000375_E_R)



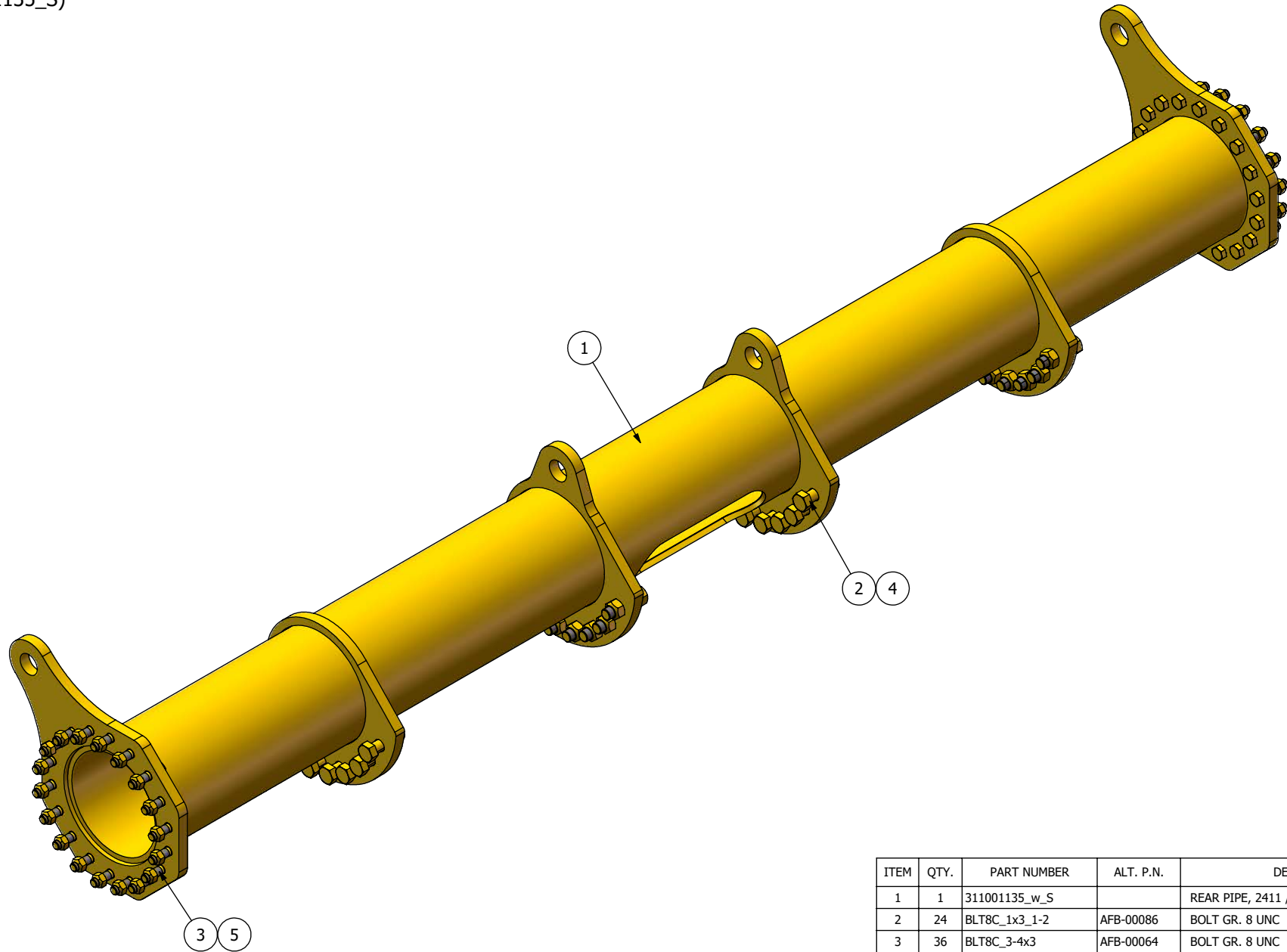
KITS	
301100314	
QTY	DESCRIPTION
1	SMV Sign
2	Bolt Gr. 8 UNC 1/4" x 3/4"
2	Nut Gr. 8 UNC 1/4" Stover Lock
2	Washer Gr. 8 - 1/4" Structural

ITEM	QTY.	PART NUMBER	ALT. P.N.	DESCRIPTION
1	1	301100314 KIT		SMV SIGN, 6" HOLE SPACING
2	1	311000375_w_R	601395	HEADACHE RACK, 3013 / 3413
3	8	BLT8C_1x2_1-2	AFB-00036	BOLT GR. 8 UNC 1" X 2-1/2"
4	8	NUT8C_1_NYL	AFN-00077	NUT GR. 8 UNC 1" NYLON LOCK

SECTION 1.11

STRUCTURAL

2411/2811 REAR PIPE
(311001135_S)

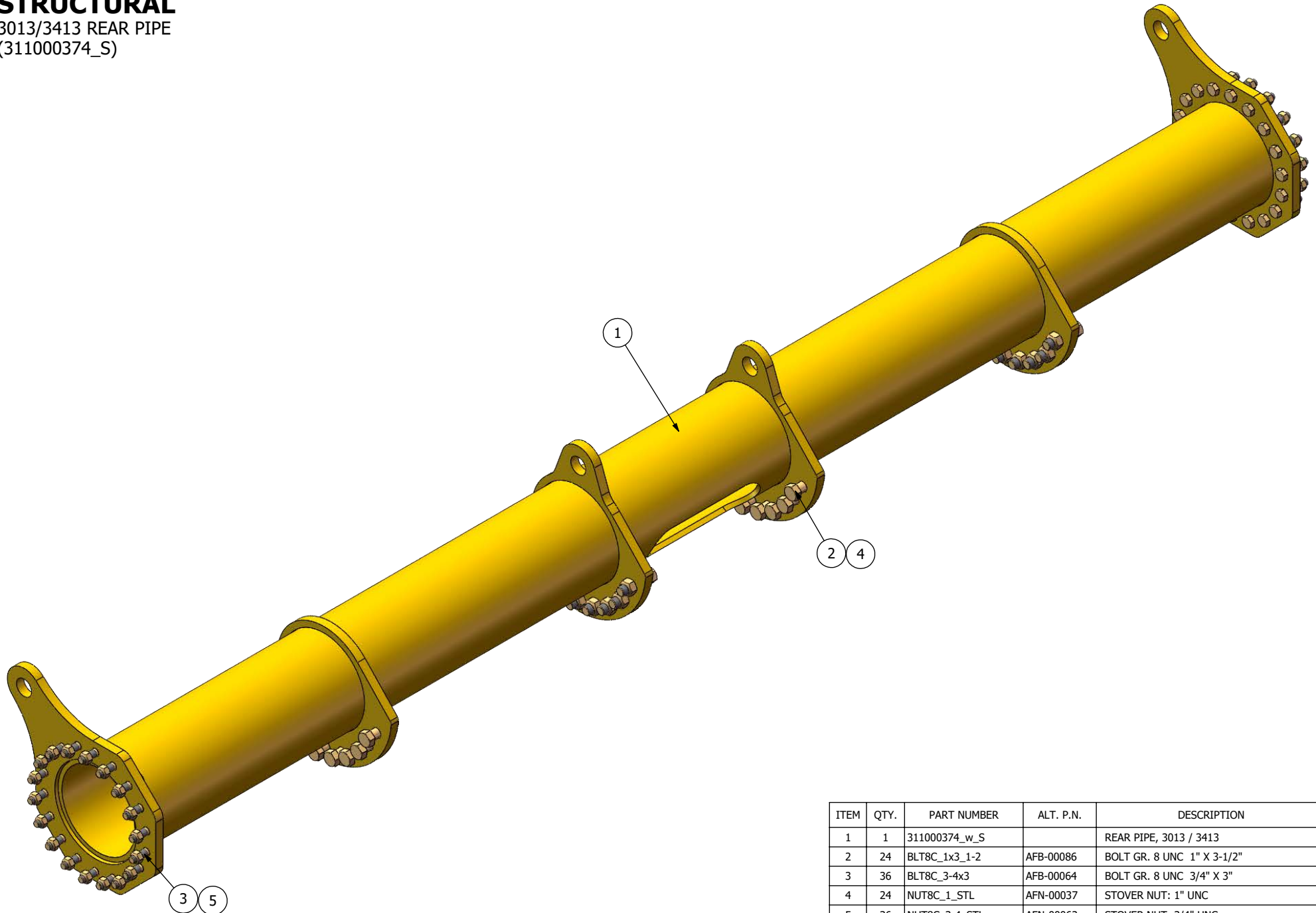


ITEM	QTY.	PART NUMBER	ALT. P.N.	DESCRIPTION
1	1	311001135_w_S		REAR PIPE, 2411 / 2811
2	24	BLT8C_1x3_1-2	AFB-00086	BOLT GR. 8 UNC 1" X 3-1/2"
3	36	BLT8C_3-4x3	AFB-00064	BOLT GR. 8 UNC 3/4" X 3"
4	24	NUT8C_1_STL	AFN-00037	STOVER NUT: 1" UNC
5	36	NUT8C_3-4_STL	AFN-00062	STOVER NUT: 3/4" UNC

SECTION 1.11

STRUCTURAL

3013/3413 REAR PIPE
(311000374_S)

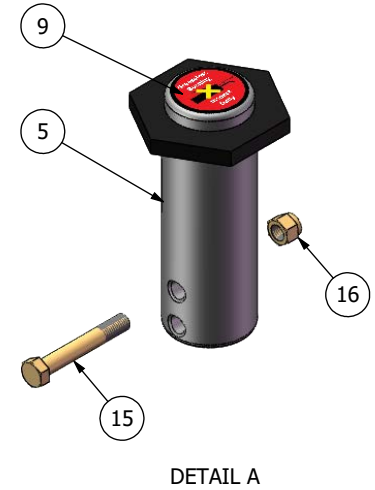
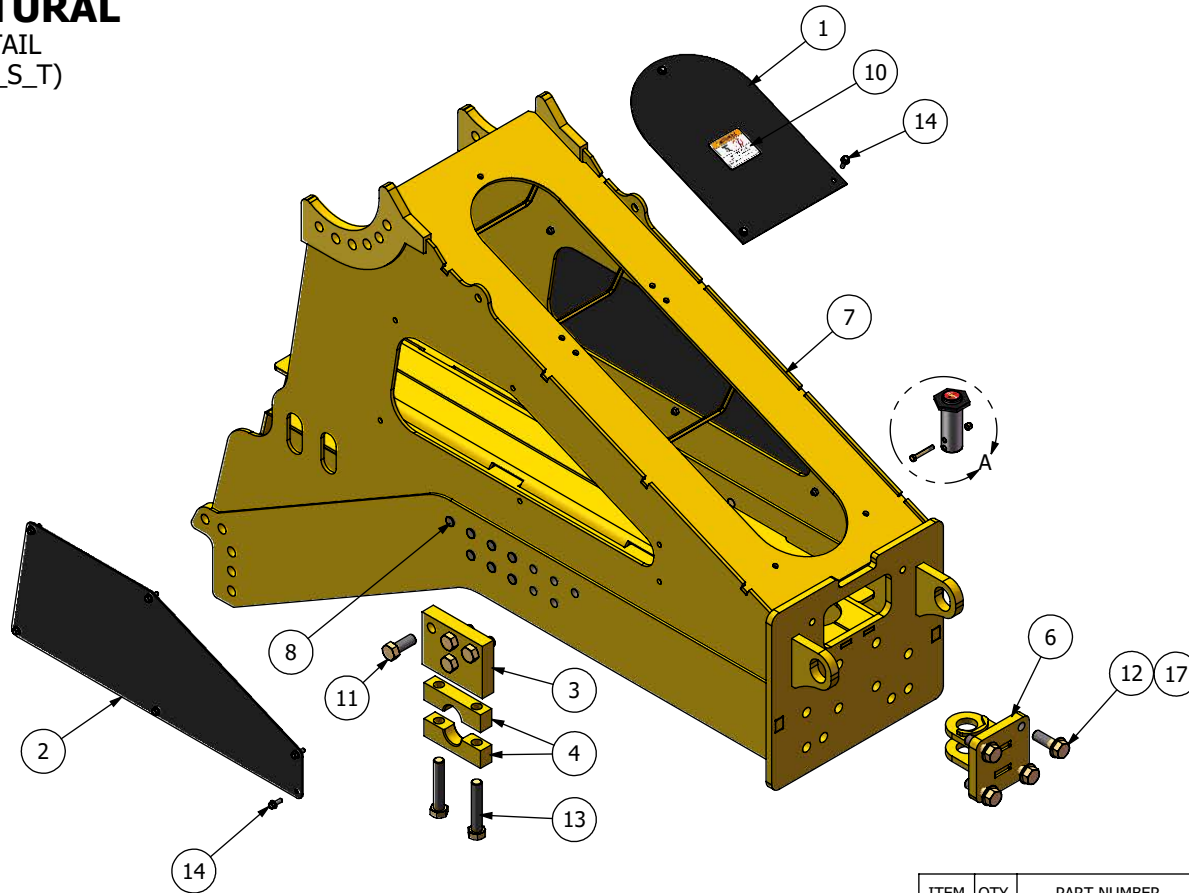


ITEM	QTY.	PART NUMBER	ALT. P.N.	DESCRIPTION
1	1	311000374_w_S		REAR PIPE, 3013 / 3413
2	24	BLT8C_1x3_1-2	AFB-00086	BOLT GR. 8 UNC 1" X 3-1/2"
3	36	BLT8C_3-4x3	AFB-00064	BOLT GR. 8 UNC 3/4" X 3"
4	24	NUT8C_1_STL	AFN-00037	STOVER NUT: 1" UNC
5	36	NUT8C_3-4_STL	AFN-00062	STOVER NUT: 3/4" UNC

SECTION 1.12

STRUCTURAL

2411/3013 TAIL
(311001146_S_T)

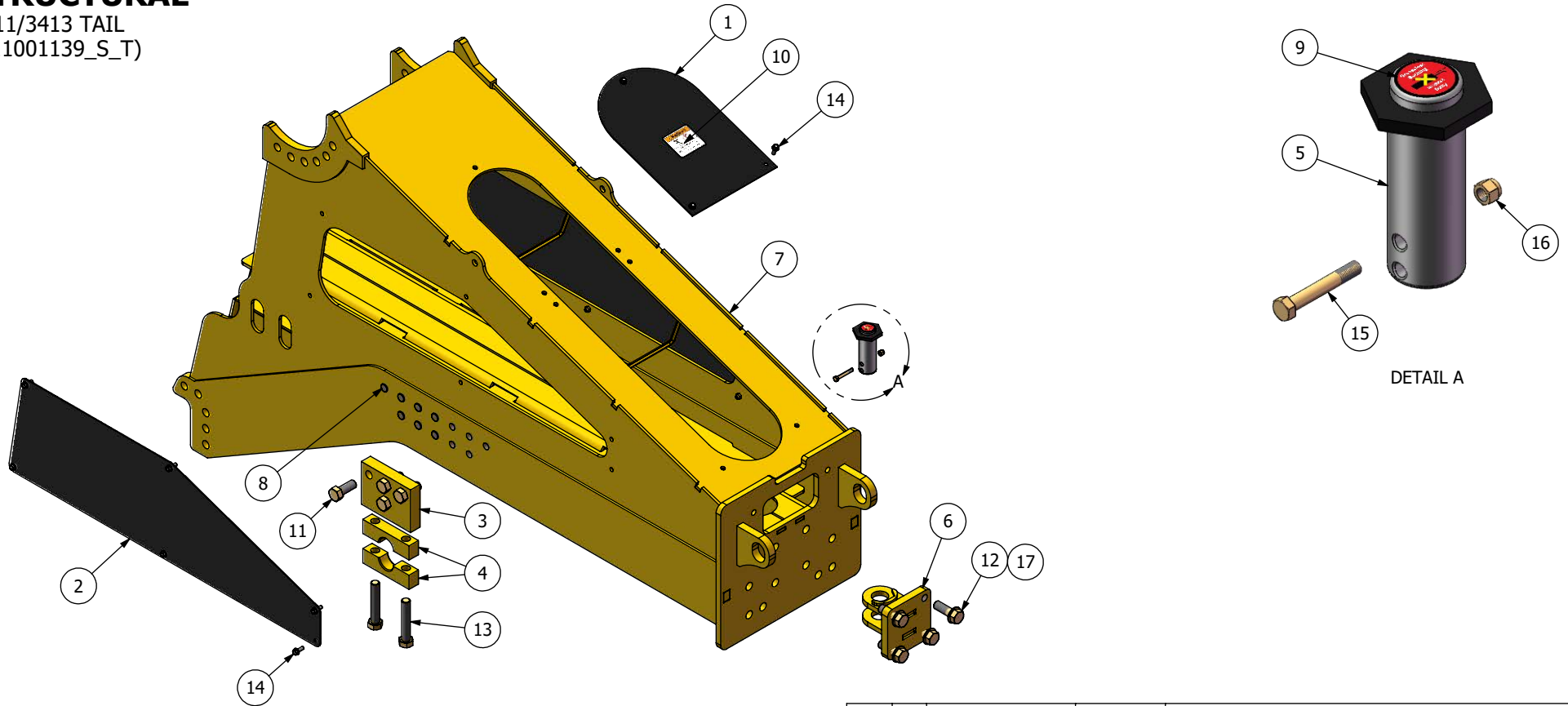


ITEM	QTY.	PART NUMBER	ALT. P.N.	DESCRIPTION
1	1	111001059_c_T-CG	505557	FRONT TAIL COVER W. 3/8" BOLTS, 1812+
2	2	111002215_c_T-CG		SIDE GUARD, HIGH CLEARANCE TAIL, 2411 / 3013
3	2	211000172_sm_W-CY	504541	AXLE BLOCK, 2411+
4	4	211000174_sm_W-CY	504035	AXLE CLAMP BLOCK, 1509+
5	1	311001007_w_PIN-CG	601844	MULTI USE PIN, 1509+
6	1	311001134_w_A-CY		EJECTOR CYLINDER EARS, 2411+
7	1	311001146_w_T		TAIL, 2411/3013
8	14	410300003	400733	POLYETHYLENE PLASTIC SNAP IN ROUND PLUG, FOR 0.84-0.95" HOLE
9	1	411000278	ADS-00083	DECAL - GREASELESS POINT ROUND
10	1	411000353	ADS-00046	DECAL WARNING - NOT FOR LIFTING
11	8	BLT8C_1x2_1-2	AFB-00036	BOLT GR. 8 UNC 1" X 2-1/2"
12	4	BLT8C_1x3	AFB-00018	BOLT GR. 8 UNC 1" X 3"
13	4	BLT8C_1x5_1-2		BOLT GR. 8 UNC 1" X 5-1/2"
14	15	BLT8C_3-8x1_FLG	AFB-00128	BOLT GR 5. 3/8" X 1" FLANGE
15	1	BLT8C_3-8x2_1-2		BOLT GR. 8 UNC 3/8" X 2-1/2"
16	1	NUT8C_3-8_NYL	AFN-00044	NUT GR. 8 NYLON LOCK 3/8" UNC
17	4	WSH8_1_STR	AFW-00011	1" STRUCTURAL WASHER

SECTION 1.12

STRUCTURAL

2811/3413 TAIL
(311001139_S_T)

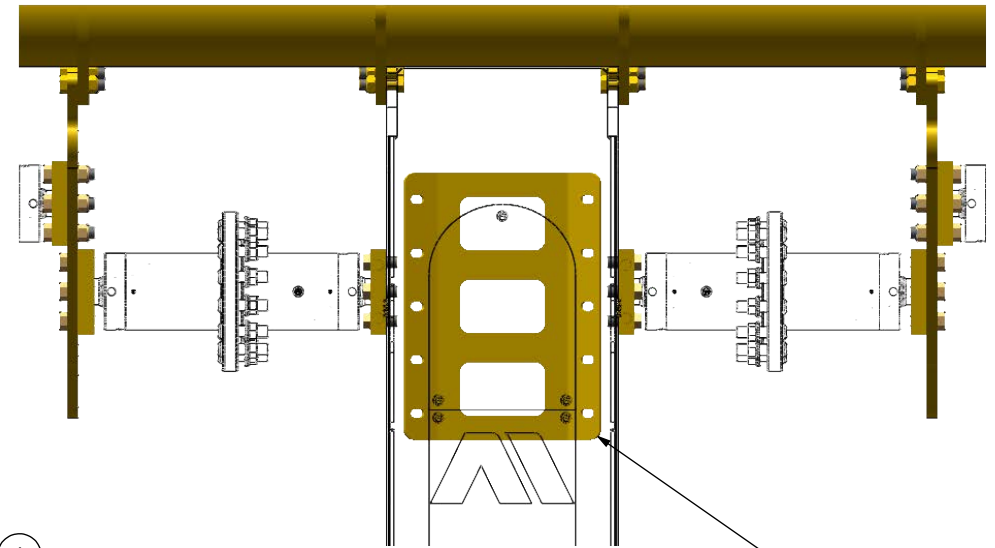
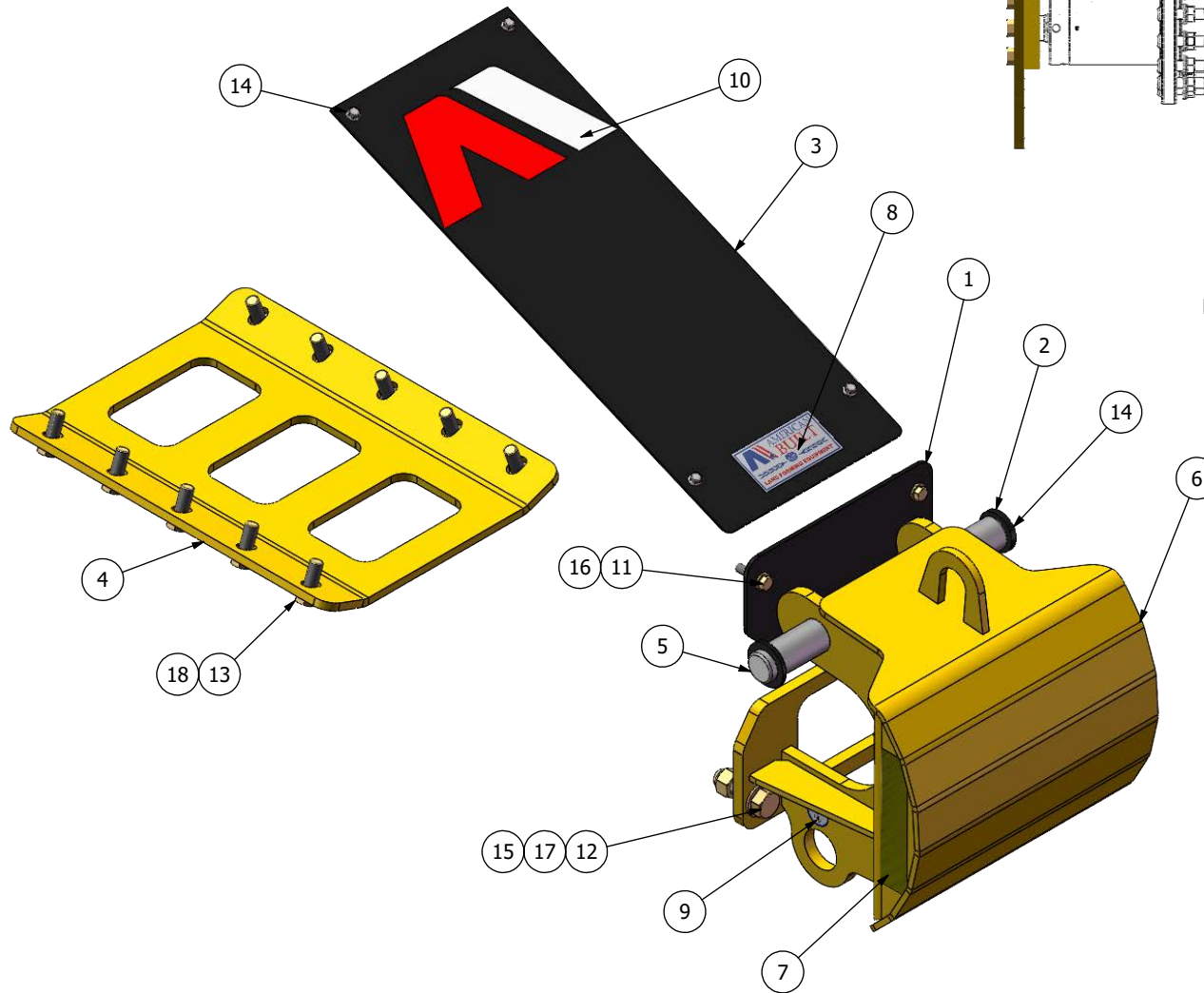


ITEM	QTY.	PART NUMBER	ALT. P.N.	DESCRIPTION
1	1	111001059_c_T-CG	505557	FRONT TAIL COVER W. 3/8" BOLTS, 1812+
2	2	111002402_c_T-CG		SIDE GUARD, HIGH CLEARANCE TAIL, 2811 / 3413
3	2	211000172_sm_W-CY	504541	AXLE BLOCK, 2411+
4	4	211000174_sm_W-CY	504035	AXLE CLAMP BLOCK, 1509+
5	1	311001007_w_PIN-CG	601844	MULTI USE PIN, 1509+
6	1	311001134_w_A-CY		EJECTOR CYLINDER EARS, 2411+
7	1	311001139_w_T		TAIL, 2811/3413
8	14	410300003	400733	POLYETHYLENE PLASTIC SNAP IN ROUND PLUG, FOR 0.84-0.95" HOLE
9	1	411000278	ADS-00083	DECAL - GREASELESS POINT ROUND
10	1	411000353	ADS-00046	DECAL WARNING - NOT FOR LIFTING
11	8	BLT8C_1x2_1-2	AFB-00036	BOLT GR. 8 UNC 1" X 2-1/2"
12	4	BLT8C_1x3	AFB-00018	BOLT GR. 8 UNC 1" X 3"
13	4	BLT8C_1x5_1-2		BOLT GR. 8 UNC 1" X 5-1/2"
14	15	BLT8C_3-8x1_FLG	AFB-00128	BOLT GR 5. 3/8" X 1" FLANGE
15	1	BLT8C_3-8x2_1-2		BOLT GR. 8 UNC 3/8" X 2-1/2"
16	1	NUT8C_3-8_NYL	AFN-00044	NUT GR. 8 NYLON LOCK 3/8" UNC
17	4	WSH8_1_STR	AFW-00011	1" STRUCTURAL WASHER

SECTION 1.13

STRUCTURAL

2411-3413 REAR UNIT TAIL PARTS
(311100041 KIT)



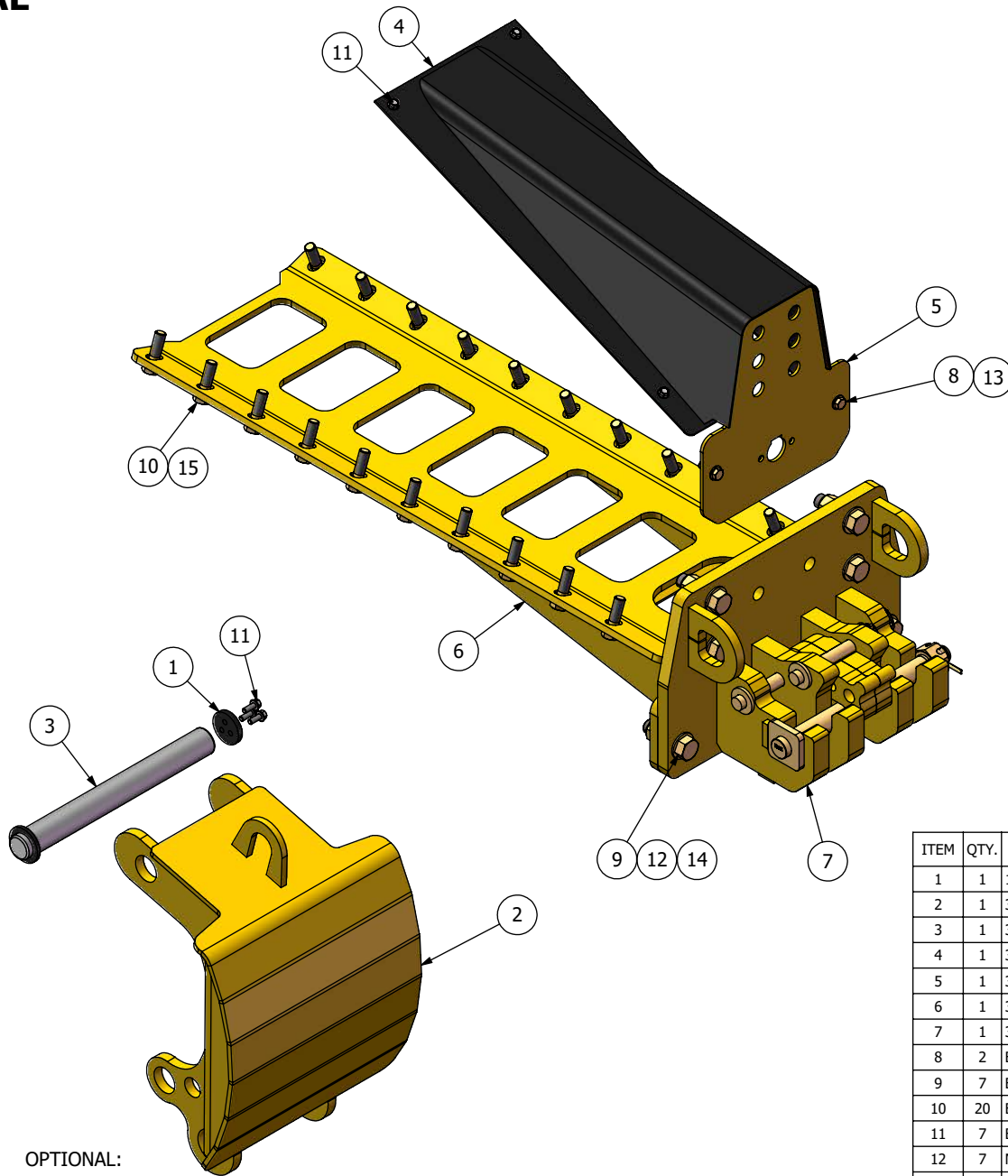
BRIDGE TO BE MOUNTED INLINE WITH THE HUBS

ITEM	QTY.	PART NUMBER	ALT. P.N.	DESCRIPTION
1	1	111000271_c_T-CG		REAR TAIL COVER
2	1	111000420_c_E-CG	504703	PIN CAP, 2.00" PIN, 1.00" BC, 3/8" BOLTS
3	1	111002026_c_T-CG	505708	REAR UNIT TAIL GUARD
4	1	111002364_cb_T-CY		AXLE BRIDGE
5	1	311001008_w_PIN-CG	601782	BUMPER LOCKING PIN
6	1	311001061_c_D-CY		BUMPER
7	2	411000004		DECAL - REFLECTIVE TAPE, YELLOW
8	1	411000277	ADS-00069	DECAL AMERICAN BUILT
9	2	411000281	ADS-00091	DECAL - LIFT POINT ROUND
10	1	411000374		DECAL - AI LOGO LARGE
11	2	BLT8C_1-2x2	AFB-00144	BOLT GR. 8 UNC 1/2" X 2"
12	2	BLT8C_1x3_1-4	AFB-00211	BOLT GR. 8 UNC 1" X 3-1/4"
13	10	BLT8C_3-4x2	AFB-00037	BOLT GR. 8 UNC 3/4" X 2"
14	7	BLT8C_3-8x1_FLG	AFB-00128	BOLT GR 5. 3/8" X 1" FLANGE
15	2	NUT8C_1_NYL	AFN-00077	NUT GR. 8 UNC 1" NYLON LOCK
16	2	WSH8_1-2_STR	AFW-00044	WASHER GR. 8 - 1/2" STRUCTURAL
17	2	WSH8_1_STR	AFW-00011	1" STRUCTURAL WASHER
18	10	WSH8_3-4_STR	AFW-00042	WASHER GR. 8 - 3/4" STRUCTURAL

SECTION 1.13

STRUCTURAL

2411 REAR HITCH
(311100051 KIT)

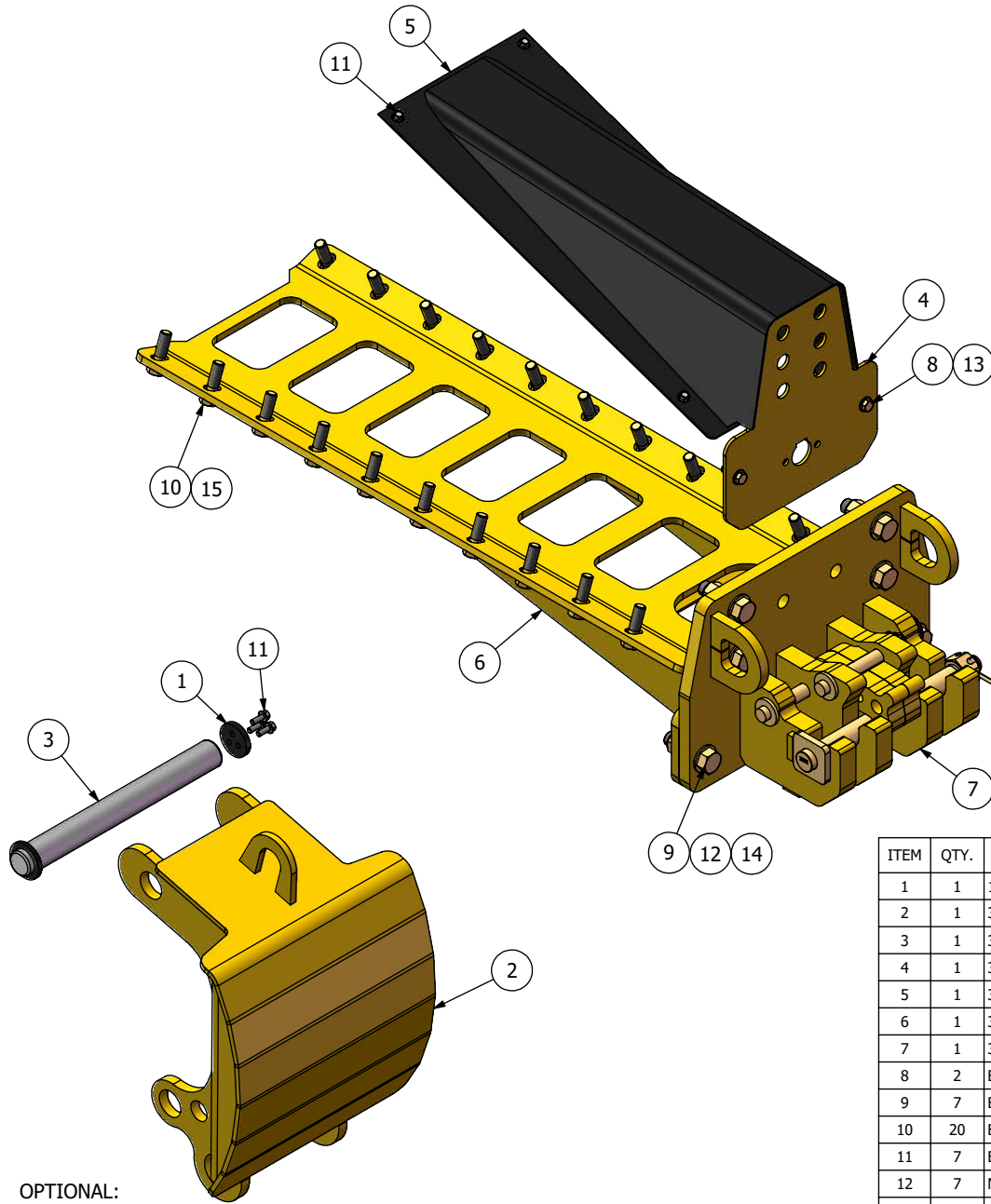


ITEM	QTY.	PART NUMBER	ALT. P.N.	DESCRIPTION
1	1	111000420_c_E-CG	504703	PIN CAP, FOR 2.00" PIN, 1.00" BC, 3/8" BOLTS
2	1	311000392_w_D-CY	601781	PIN IN REAR BUMPER, 1812+
3	1	311001008_w_PIN-CG	601782	BUMPER LOCKING PIN, 1509+
4	1	311001062_w_T-CG		REAR BULKHEAD HOOD, 2411/3013
5	1	311001063_w_T-CY		REAR BULKHEAD, 1812+
6	1	311001267_w_T-CY		HITCH BRACE, 2411+
7	1	311001268_D		ASHLAND REAR HITCH, 1.5" PIN, 2411+
8	2	BLT8C_1-2x1_1-2	AFB-00015	BOLT: GR. 8. UNC 1/2" X 1-1/2"
9	7	BLT8C_1x3_1-2	AFB-00086	BOLT GR. 8 UNC 1" X 3-1/2"
10	20	BLT8C_3-4x2_1-2	AFB-00005	BOLT GR. 8 UNC 3/4" X 2-1/2"
11	7	BLT8C_3-8x1_FLG	AFB-00128	BOLT GR 5. 3/8" X 1" FLANGE
12	7	NUT8C_1_NYL	AFN-00077	NUT GR. 8 UNC 1" NYLON LOCK
13	2	WSH8_1-2_STR	AFW-00044	WASHER GR. 8 - 1/2" STRUCTURAL
14	10	WSH8_1_STR	AFW-00011	1" STRUCTURAL WASHER
15	20	WSH8_3-4_STR	AFW-00042	WASHER GR. 8 - 3/4" STRUCTURAL

SECTION 1.13

STRUCTURAL

2811 REAR HITCH
(311100052 KIT)



OPTIONAL:

ITEM	QTY.	PART NUMBER	ALT. P.N.	DESCRIPTION
1	1	111000420_c_E-CG	504703	PIN CAP, FOR 2.00" PIN, 1.00" BC, 3/8" BOLTS
2	1	311000392_w_D-CY	601781	PIN IN REAR BUMPER, 1812+
3	1	311001008_w_PIN-CG	601782	BUMPER LOCKING PIN, 1509+
4	1	311001063_w_T-CY		REAR BULKHEAD, 1812+
5	1	311001172_w_T-CG		REAR BULKHEAD HOOD, 2811 / 3413
6	1	311001267_w_T-CY		HITCH BRACE, 2411+
7	1	311001268_D		ASHLAND REAR HITCH, 1.5" PIN, 2411+
8	2	BLT8C_1-2x1_1-2	AFB-00015	BOLT: GR 8. UNC 1/2" X 1-1/2"
9	7	BLT8C_1x3_1-2	AFB-00086	BOLT GR. 8 UNC 1" X 3-1/2"
10	20	BLT8C_3-4x2_1-2	AFB-00005	BOLT GR. 8 UNC 3/4" X 2-1/2"
11	7	BLT8C_3-8x1_FLG	AFB-00128	BOLT GR 5. 3/8" X 1" FLANGE
12	7	NUT8C_1_NYL	AFN-00077	NUT GR. 8 UNC 1" NYLON LOCK
13	2	WSH8_1-2_STR	AFW-00044	WASHER GR. 8 - 1/2" STRUCTURAL
14	10	WSH8_1_STR	AFW-00011	1" STRUCTURAL WASHER
15	20	WSH8_3-4_STR	AFW-00042	WASHER GR. 8 - 3/4" STRUCTURAL

SECTION 1.14

STRUCTURAL

2411/2811 WHEEL ASSEMBLY
(311000323_A_W)

3013/3413 WHEEL ASSEMBLY
(311000337_A_W)

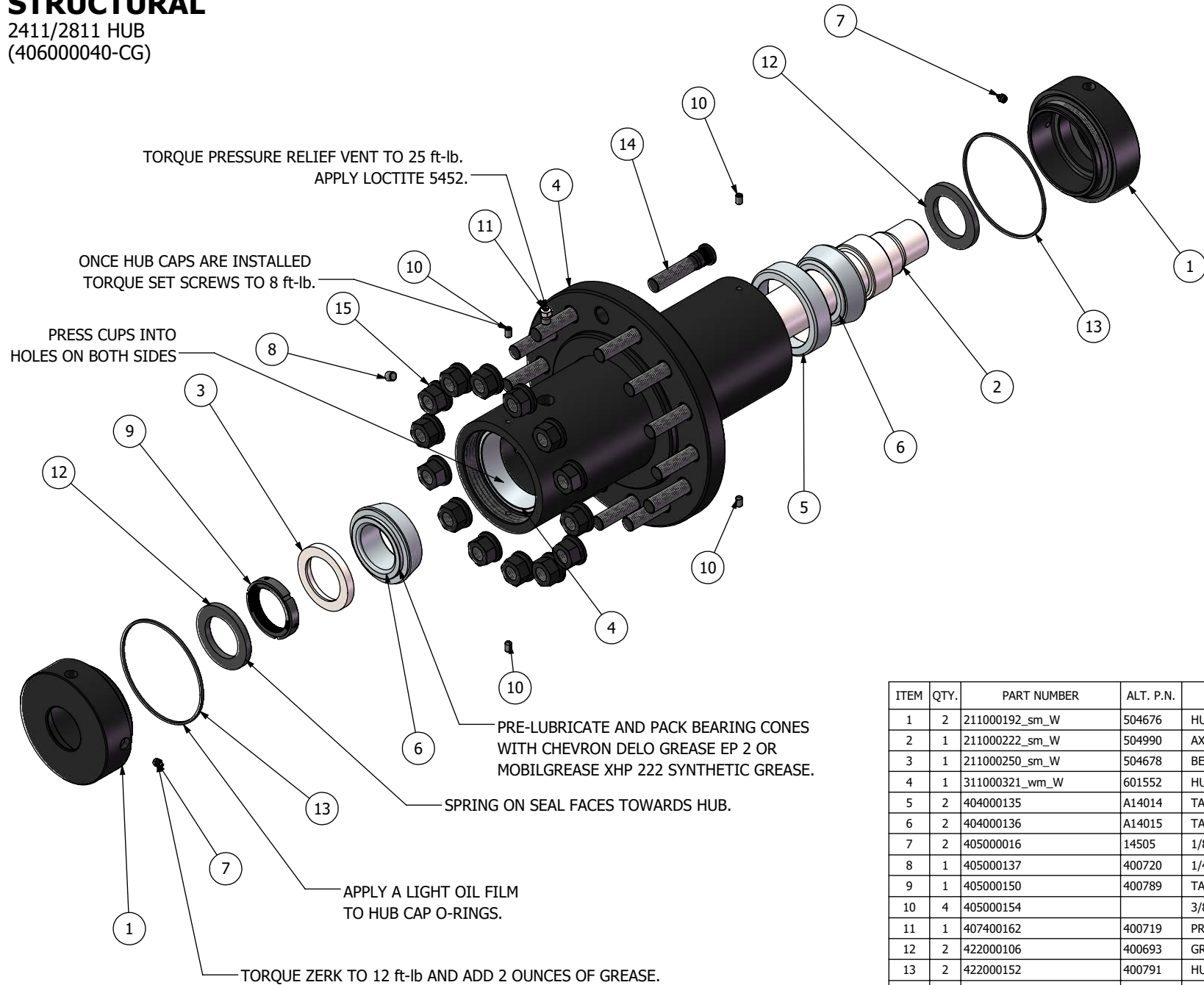


2411/2811 WHEEL ASSEMBLY COMPONENTS				
ITEM	QTY.	PART NUMBER	ALT. P.N.	DESCRIPTION
1	1	406000040-CG	601553	HUB ASSEMBLY, 1812/2411/2811
2	1	419_23.5 R25 418-0099	601554	TWA: 23.5" RADIAL TIRE, 14 HOLE
3	14	NUT8F_M22_1.5_FLG	A125229	NUT GR 8. FINE THREAD FLANGE
3013/3413 WHEEL ASSEMBLY COMPONENTS				
1	1	406000042-CG	601454	HUB ASSEMBLY, 1509/2114/3013/3413
2	1	419_26.5 R25 418-0090		TWA: 26.5R25 RADIAL W/ 14-HOLE WHEEL
3	14	NUT8F_M22_1.5_FLG	A125229	NUT GR 8. FINE THREAD FLANGE

SECTION 1.14

STRUCTURAL

2411/2811 HUB
(406000040-CG)

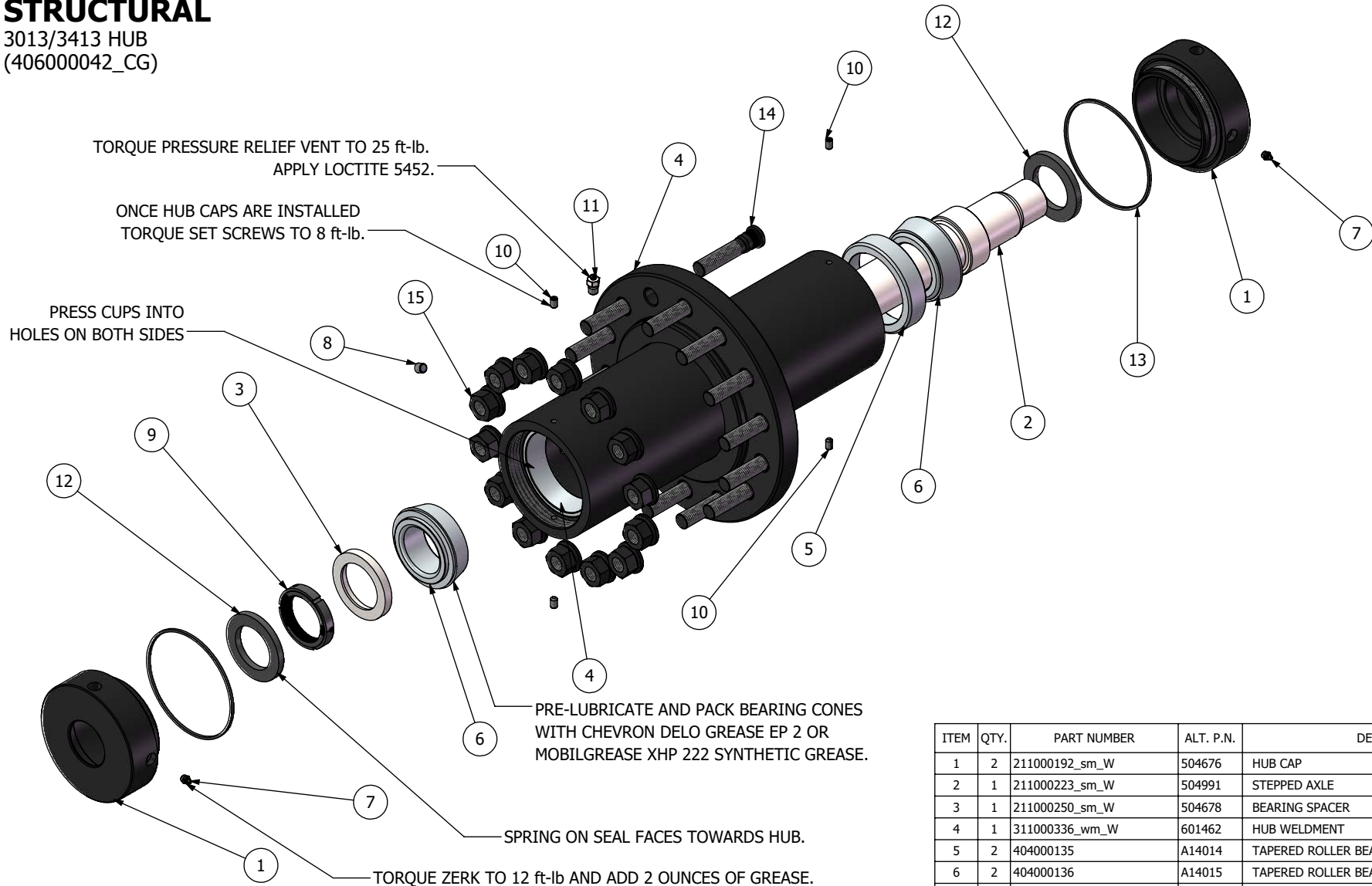


ITEM	QTY.	PART NUMBER	ALT. P.N.	DESCRIPTION
1	2	211000192_sm_W	504676	HUB CAP
2	1	211000222_sm_W	504990	AXLE
3	1	211000250_sm_W	504678	BEARING SPACER
4	1	311000321_wm_W	601552	HUB WELDMENT
5	2	404000135	A14014	TAPERED ROLLER BEARING CUP 5-3/8" OD x 1-1/4"
6	2	404000136	A14015	TAPERED ROLLER BEARING, 2-13/16" ID X 1-3/4"
7	2	405000016	14505	1/8 NPT ZERK
8	1	405000137	400720	1/4 NPT X 7/16" SET SCREW
9	1	405000150	400789	TANGENT LOCK NUT 2.751-18
10	4	405000154		3/8"-16 X 5/8" SET SCREW
11	1	407400162	400719	PRESSURE RELIEF VENT, 1/4" PTF, 15 PSI
12	2	422000106	400693	GREASE SEAL, ID: 2.625", OD: 4.003", W: 0.375"
13	2	422000152	400791	HUB SEAL, 4061T281 (6-1/4 X 6-1/2)
14	14	BLT10.9_M22x100_1.5_STUD	A125236	M22 X 100 MM GR 10.9 TP 1.5 WHEEL STUD
15	14	NUT8F_M22_1.5_FLG	A125229	NUT GR 8, FINE THREAD FLANGE

SECTION 1.14

STRUCTURAL

3013/3413 HUB
(406000042_CG)

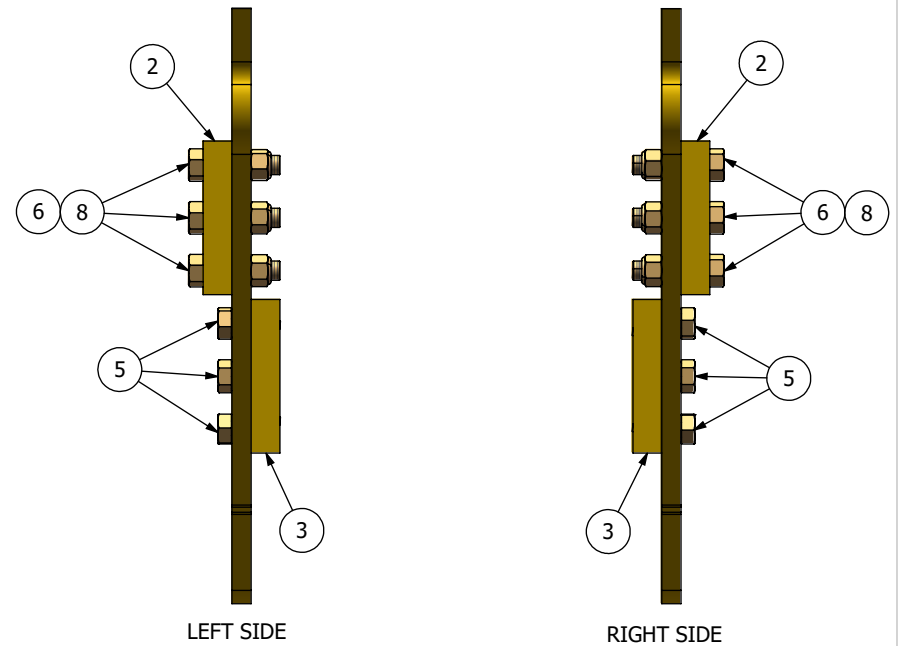
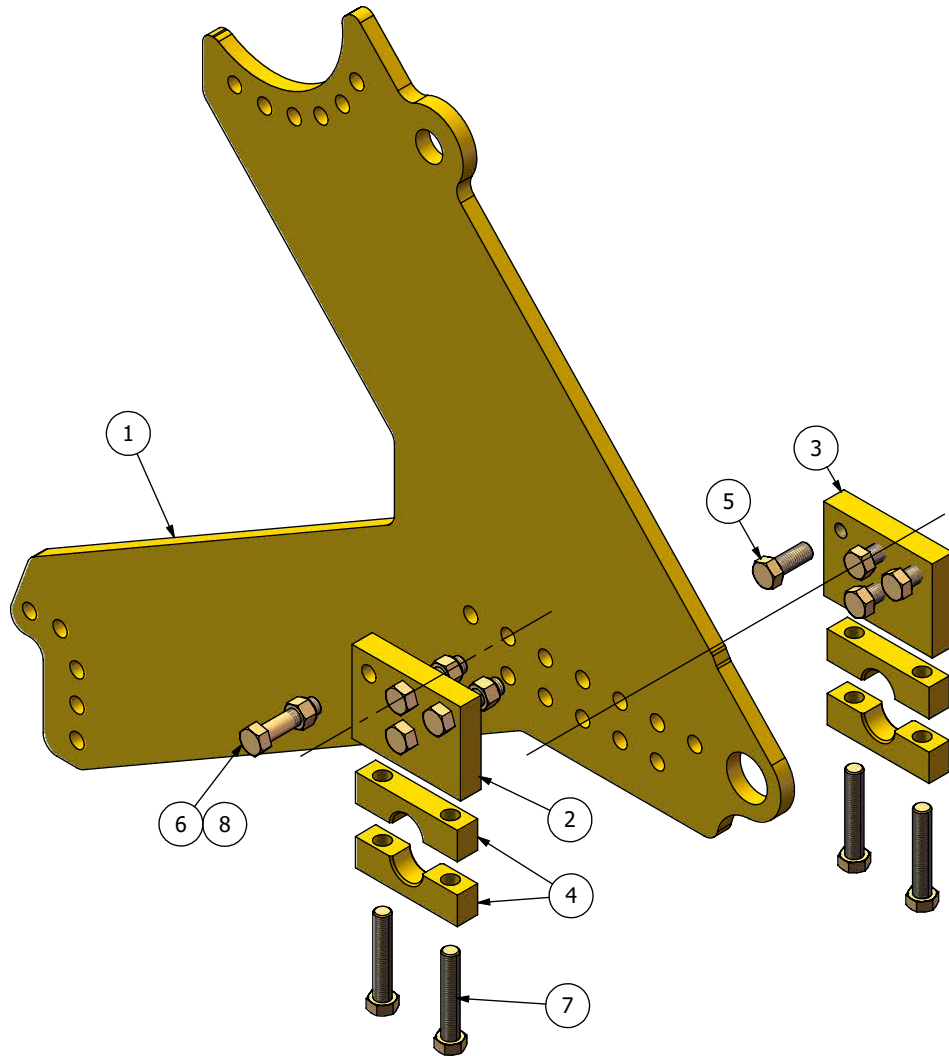


ITEM	QTY.	PART NUMBER	ALT. P.N.	DESCRIPTION
1	2	211000192_sm_W	504676	HUB CAP
2	1	211000223_sm_W	504991	STEPPED AXLE
3	1	211000250_sm_W	504678	BEARING SPACER
4	1	311000336_wm_W	601462	HUB WELDMENT
5	2	404000135	A14014	TAPERED ROLLER BEARING CUP 5-3/8" OD x 1-1/4"
6	2	404000136	A14015	TAPERED ROLLER BEARING, 2-13/16" ID X 1-3/4"
7	2	405000016	14505	1/8 NPT ZERK
8	1	405000137	400720	1/4 NPT X 7/16" SET SCREW
9	1	405000150	400789	TANGENT LOCK NUT 2.751-18
10	4	405000154		3/8"-16 X 5/8" SET SCREW
11	1	407400162	400719	PRESSURE RELIEF VENT, 1/4" PTF, 15 PSI
12	2	422000106	400693	GREASE SEAL, ID: 2.625", OD: 4.003", W: 0.375"
13	2	422000152	400791	HUB SEAL, 4061T281 (6-1/4 X 6-1/2)
14	14	BLT10.9_M22x100_1.5_STUD	A125236	M22 X 100 MM GR 10.9 TP 1.5 WHEEL STUD
15	14	NUT8F_M22_1.5_FLG	A125229	NUT GR 8, FINE THREAD FLANGE

SECTION 1.15

STRUCTURAL

2411/2811 WHEEL TRUSS
(311000314_A_W)



(TOP VIEW FROM REAR)

THIS DIAGRAM REFERENCES THE STANDARD STAGGERED WHEEL ALIGNMENT.

IF YOU CHOOSE TO SET THE WHEELS IN-LINE, USE THE LONGER BOLTS TO INSTALL THROUGH BOTH AXLE BLOCKS.

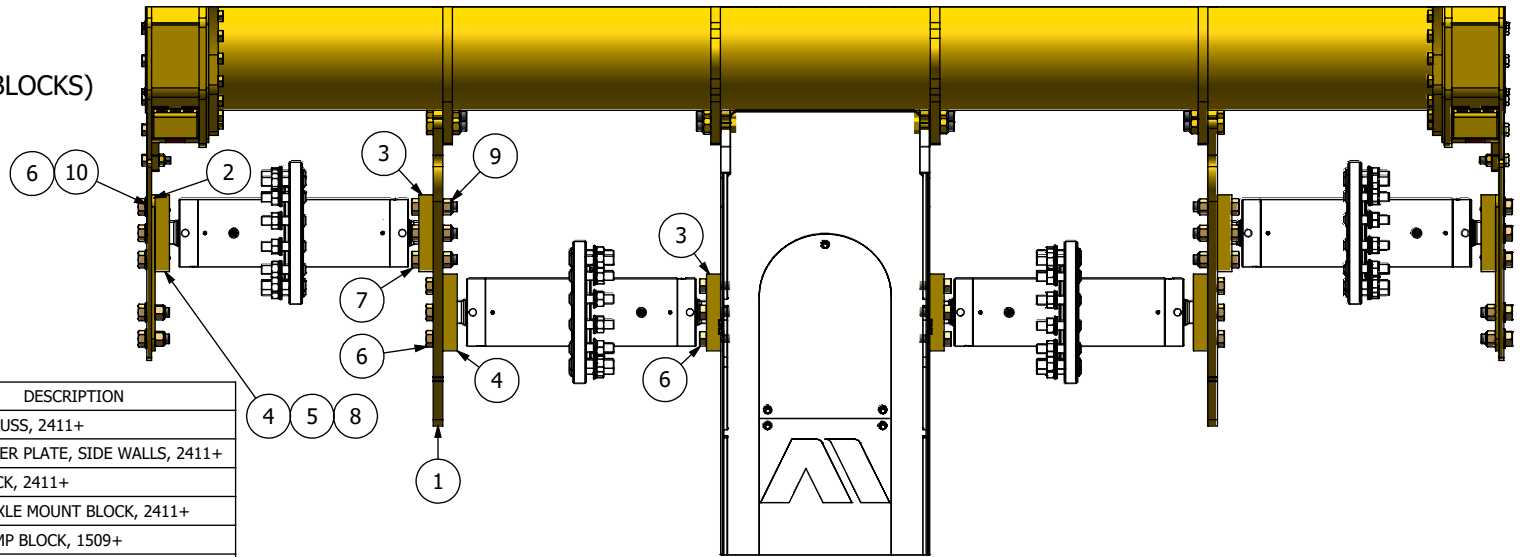
STORE THE EXCESS FASTENERS ON THE VACANT HOLES OF THE TRUSS.

ITEM	QTY.	PART NUMBER	ALT. P.N.	DESCRIPTION
1	1	111000648_c_T-CY	504665	WHEEL TRUSS, 2411+
2	1	211000172_sm_W-CY	504541	AXLE BLOCK, 2411+
3	1	211000173_sm_W-CY	504673	TAPPED AXLE MOUNT BLOCK, 2411+
4	4	211000174_sm_W-CY	504035	AXLE CLAMP BLOCK, 1509+
5	4	BLT8C_1x2_1-2	AFB-00036	BOLT GR. 8 UNC 1" X 2-1/2"
6	4	BLT8C_1x4	AFB-00187	BOLT GR. 8 UNC 1" X 4"
7	4	BLT8C_1x5_1-2		BOLT GR. 8 UNC 1" X 5-1/2"
8	4	NUT8C_1_NYL	AFN-00077	NUT GR. 8 UNC 1" NYLON LOCK

SECTION 1.15

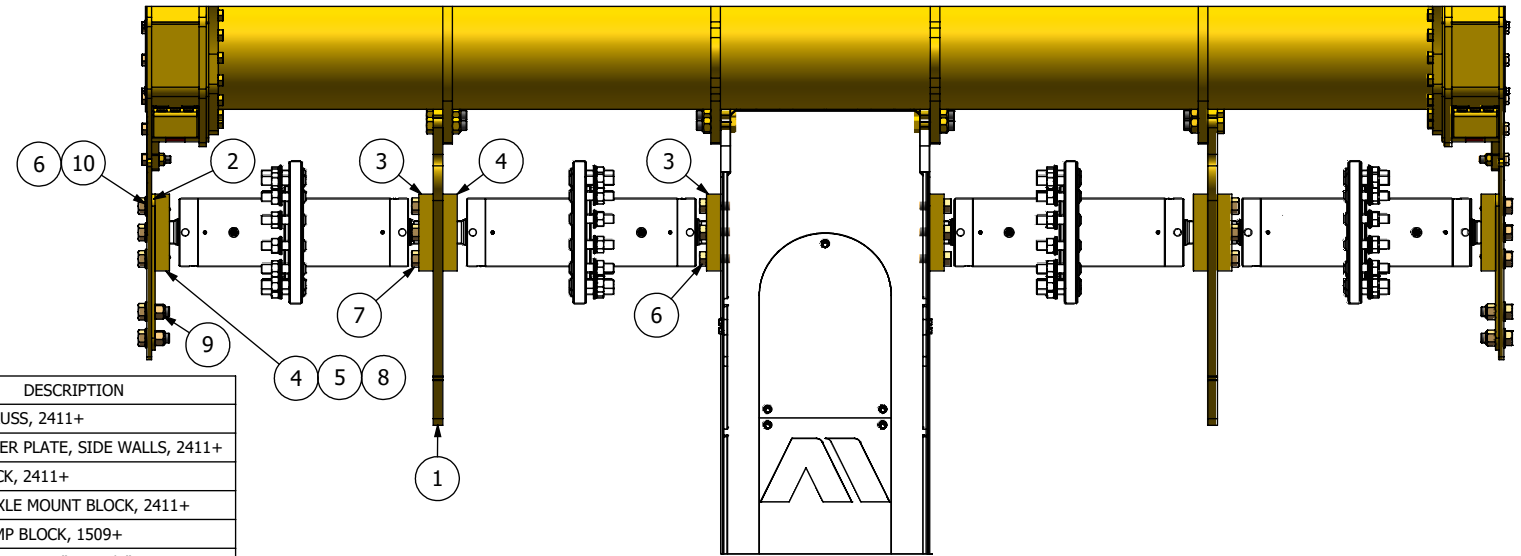
STRUCTURAL

2411/2811 WHEEL ALIGNMENT
(NOTE THE DIRECTION OF HUBS AND BLOCKS)



STAGGERED ALIGNMENT

ITEM	QTY.	PART NUMBER	ALT. P.N.	DESCRIPTION
1	2	111000648_c_T-CY	504665	WHEEL TRUSS, 2411+
2	2	111002374_c_XY-CY		TAIL SPACER PLATE, SIDE WALLS, 2411+
3	4	211000172_sm_W-CY	504541	AXLE BLOCK, 2411+
4	4	211000173_sm_W-CY	504673	TAPPED AXLE MOUNT BLOCK, 2411+
5	16	211000174_sm_W-CY	504035	AXLE CLAMP BLOCK, 1509+
6	28	BLT8C_1x2_1-2	AFB-00036	BOLT GR. 8 UNC 1" X 2-1/2"
7	8	BLT8C_1x4	AFB-00187	BOLT GR. 8 UNC 1" X 4"
8	16	BLT8C_1x5_1-2		BOLT GR. 8 UNC 1" X 5-1/2"
9	12	NUT8C_1_NYL	AFN-00077	NUT GR. 8 UNC 1" NYLON LOCK
10	12	WSH8_1_STR	AFW-00011	1" STRUCTURAL WASHER



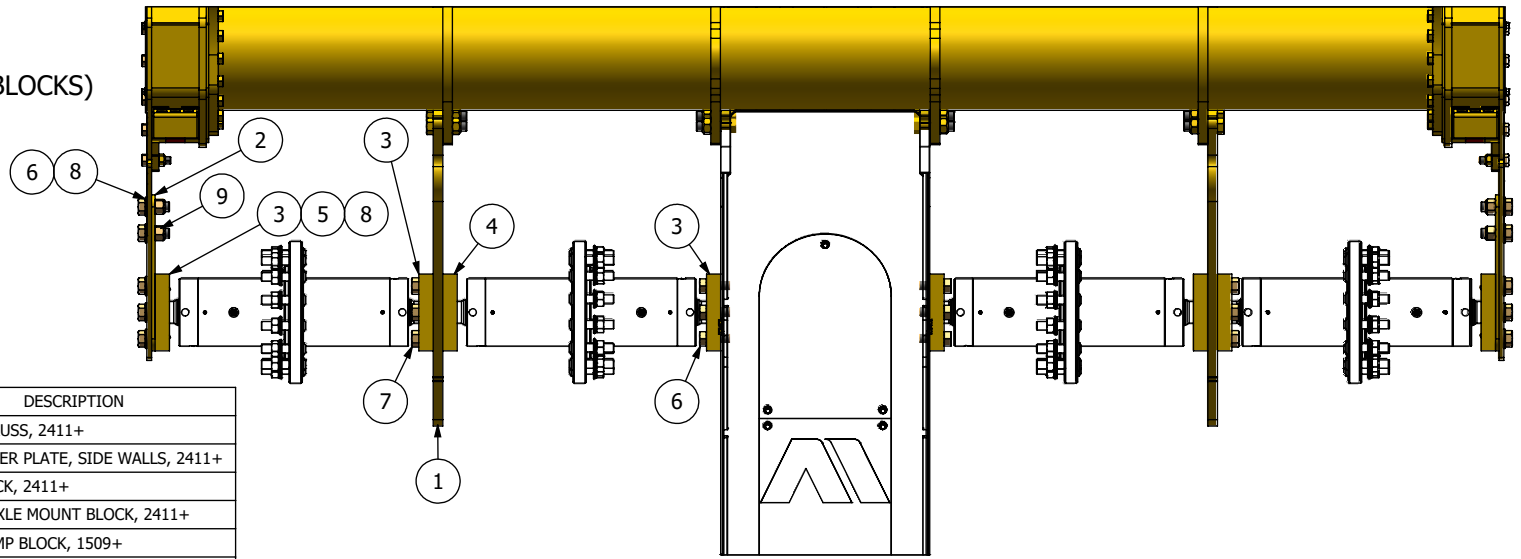
INLINE ALIGNMENT

ITEM	QTY.	PART NUMBER	ALT. P.N.	DESCRIPTION
1	2	111000648_c_T-CY	504665	WHEEL TRUSS, 2411+
2	2	111002374_c_XY-CY		TAIL SPACER PLATE, SIDE WALLS, 2411+
3	4	211000172_sm_W-CY	504541	AXLE BLOCK, 2411+
4	4	211000173_sm_W-CY	504673	TAPPED AXLE MOUNT BLOCK, 2411+
5	16	211000174_sm_W-CY	504035	AXLE CLAMP BLOCK, 1509+
6	20	BLT8C_1x2_1-2	AFB-00036	BOLT GR. 8 UNC 1" X 2-1/2"
7	8	BLT8C_1x4	AFB-00187	BOLT GR. 8 UNC 1" X 4"
8	16	BLT8C_1x5_1-2		BOLT GR. 8 UNC 1" X 5-1/2"
9	4	NUT8C_1_NYL	AFN-00077	NUT GR. 8 UNC 1" NYLON LOCK
10	12	WSH8_1_STR	AFW-00011	1" STRUCTURAL WASHER

SECTION 1.15

STRUCTURAL

2411/2811 WHEEL ALIGNMENT
(NOTE THE DIRECTION OF HUBS AND BLOCKS)



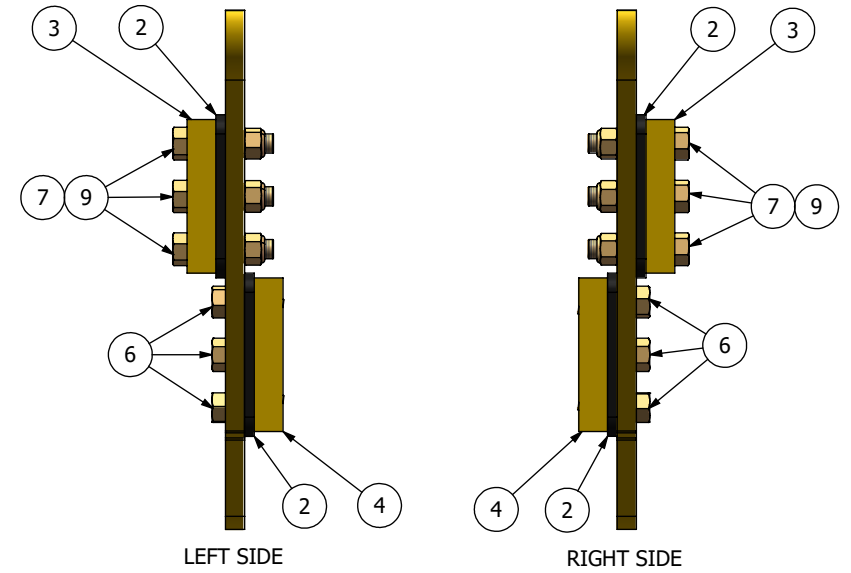
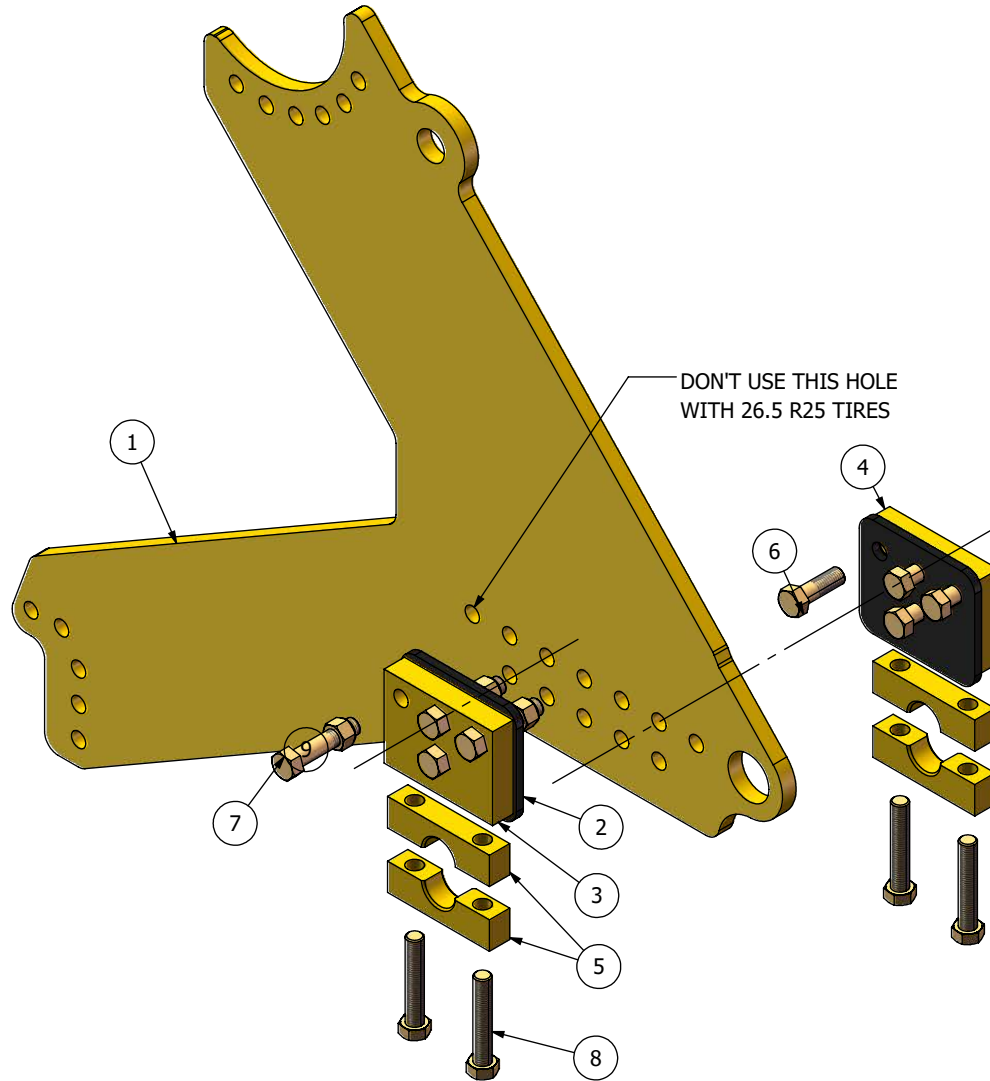
REAR INLINE ALIGNMENT

ITEM	QTY.	PART NUMBER	ALT. P.N.	DESCRIPTION
1	2	111000648_c_T-CY	504665	WHEEL TRUSS, 2411+
2	2	111002374_c_XY-CY		TAIL SPACER PLATE, SIDE WALLS, 2411+
3	6	211000172_sm_W-CY	504541	AXLE BLOCK, 2411+
4	2	211000173_sm_W-CY	504673	TAPPED AXLE MOUNT BLOCK, 2411+
5	16	211000174_sm_W-CY	504035	AXLE CLAMP BLOCK, 1509+
6	20	BLT8C_1x2_1-2	AFB-00036	BOLT GR. 8 UNC 1" X 2-1/2"
7	8	BLT8C_1x4	AFB-00187	BOLT GR. 8 UNC 1" X 4"
8	16	BLT8C_1x5_1-2		BOLT GR. 8 UNC 1" X 5-1/2"
9	4	NUT8C_1_NYL	AFN-00077	NUT GR. 8 UNC 1" NYLON LOCK
10	12	WSH8_1_STR	AFW-00011	1" STRUCTURAL WASHER

SECTION 1.15

STRUCTURAL

3013/3413 WHEEL TRUSS
(311000384_A_W)



(TOP VIEW FROM REAR)

THIS DIAGRAM REFERENCES THE STANDARD STAGGERED WHEEL ALIGNMENT.

IF YOU CHOOSE TO SET THE WHEELS IN-LINE, USE THE LONGER BOLTS TO INSTALL THROUGH BOTH AXLE BLOCKS.

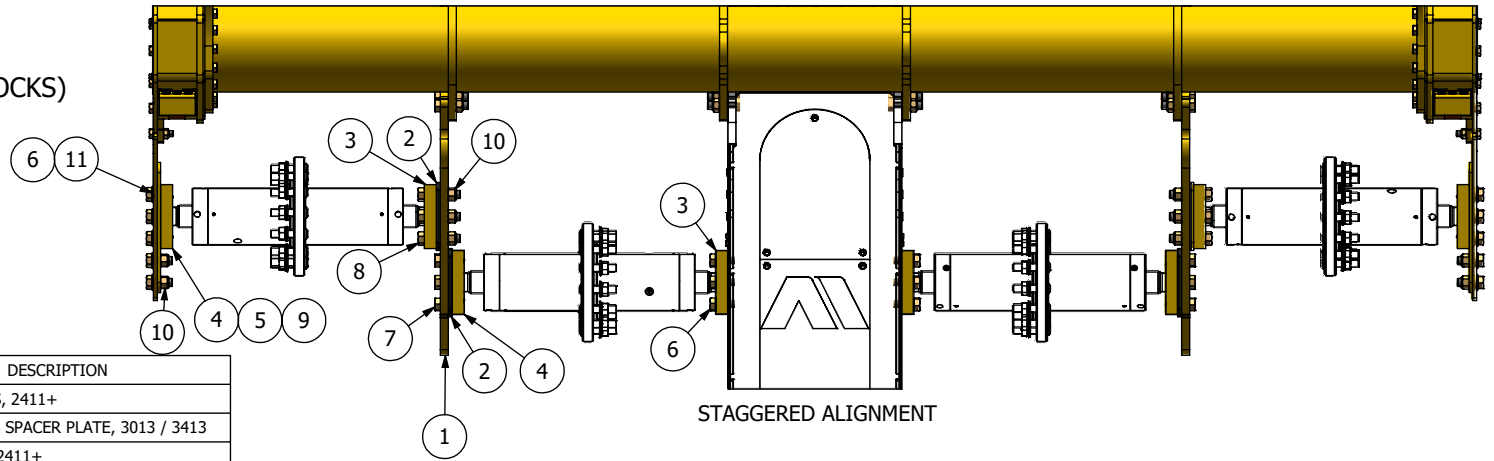
STORE THE EXCESS FASTENERS ON THE VACANT HOLES OF THE TRUSS.

ITEM	QTY.	PART NUMBER	ALT. P.N.	DESCRIPTION
1	1	111000648_c_T-CY	504665	WHEEL TRUSS, 2411+
2	2	111000979_c_W-CG	504759	OUTER TRUSS SPACER PLATE, 3013 / 3413
3	1	211000172_sm_W-CY	504541	AXLE BLOCK, 2411+
4	1	211000173_sm_W-CY	504673	TAPPED AXLE MOUNT BLOCK, 2411+
5	4	211000174_sm_W-CY	504035	AXLE CLAMP BLOCK, 1509+
6	4	BLT8C_1x3	AFB-00018	BOLT GR. 8 UNC 1" x 3"
7	4	BLT8C_1x4_1-2	AFB-00194	BOLT GR. 8 UNC 1" X 4-1/2"
8	4	BLT8C_1x5_1-2		BOLT GR. 8 UNC 1" x 5-1/2"
9	4	NUT8C_1_NYL	AFN-00077	NUT GR. 8 UNC 1" NYLON LOCK

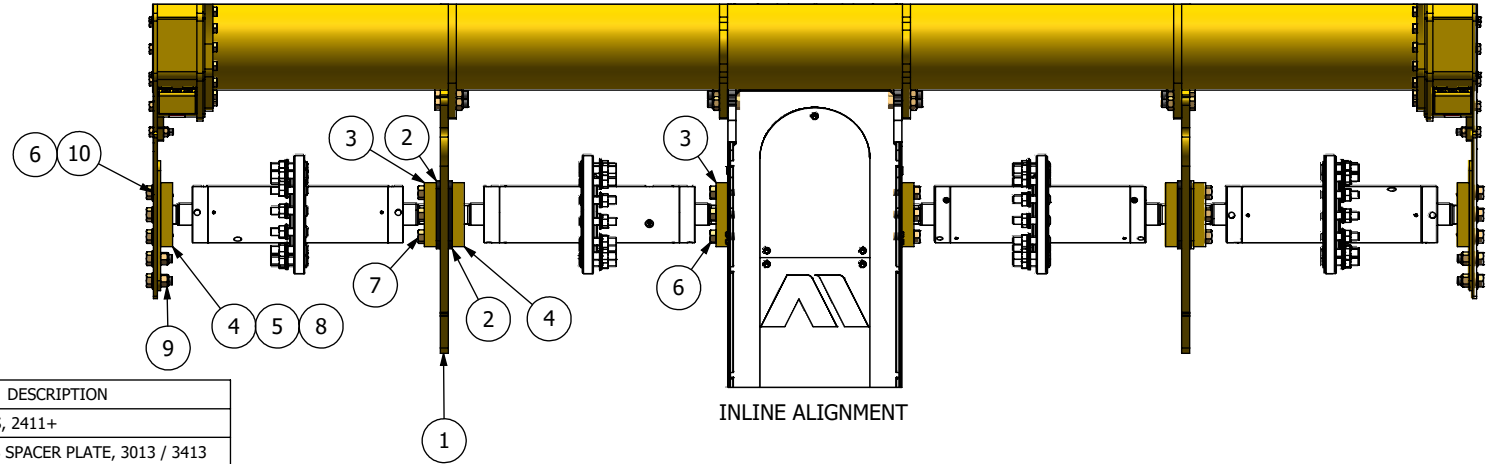
SECTION 1.15

STRUCTURAL

3013/3413 WHEEL ALIGNMENT
(NOTE THE DIRECTION OF HUBS AND BLOCKS)



ITEM	QTY.	PART NUMBER	ALT. P.N.	DESCRIPTION
1	2	111000648_c_T-CY	504665	WHEEL TRUSS, 2411+
2	4	111000979_c_W-CG	504759	OUTER TRUSS SPACER PLATE, 3013 / 3413
3	4	211000172_sm_W-CY	504541	AXLE BLOCK, 2411+
4	4	211000173_sm_W-CY	504673	TAPPED AXLE MOUNT BLOCK, 2411+
5	16	211000174_sm_W-CY	504035	AXLE CLAMP BLOCK, 1509+
6	20	BLT8C_1x2_1-2	AFB-00036	BOLT GR. 8 UNC 1" X 2-1/2"
7	8	BLT8C_1x3	AFB-00018	BOLT GR. 8 UNC 1" X 3"
8	8	BLT8C_1x4_1-2	AFB-00194	BOLT GR. 8 UNC 1" X 4-1/2"
9	16	BLT8C_1x5_1-2		BOLT GR. 8 UNC 1" X 5-1/2"
10	12	NUT8C_1_NYL	AFN-00077	NUT GR. 8 UNC 1" NYLON LOCK
11	12	WSH8_1_STR	AFW-00011	1" STRUCTURAL WASHER



ITEM	QTY.	PART NUMBER	ALT. P.N.	DESCRIPTION
1	2	111000648_c_T-CY	504665	WHEEL TRUSS, 2411+
2	4	111000979_c_W-CG	504759	OUTER TRUSS SPACER PLATE, 3013 / 3413
3	4	211000172_sm_W-CY	504541	AXLE BLOCK, 2411+
4	4	211000173_sm_W-CY	504673	TAPPED AXLE MOUNT BLOCK, 2411+
5	16	211000174_sm_W-CY	504035	AXLE CLAMP BLOCK, 1509+
6	20	BLT8C_1x2_1-2	AFB-00036	BOLT GR. 8 UNC 1" X 2-1/2"
7	8	BLT8C_1x4_1-2	AFB-00194	BOLT GR. 8 UNC 1" X 4-1/2"
8	16	BLT8C_1x5_1-2		BOLT GR. 8 UNC 1" X 5-1/2"
9	4	NUT8C_1_NYL	AFN-00077	NUT GR. 8 UNC 1" NYLON LOCK
10	12	WSH8_1_STR	AFW-00011	1" STRUCTURAL WASHER

SECTION 2.00

HYDRAULICS

HYDRAULIC FITTINGS TORQUE SPECIFICATIONS

JIC Flare Torque Values (Lubricated)

SAE No.	Tube Size O.D.	Nut Size Across Flats	Torque Value	Torque Value	F.F.F.T
	in.	in.	N.m	lb.-ft.	Flats
-04	1/4"	9/16"	15-16	11-12	2
-06	3/8"	11/16"	24-27	18-20	1 1/2
-08	1/2"	7/8"	41-53	36-39	1 1/2
-12	3/4"	1-1/4"	107-119	79-88	1 1/4
-16	1"	1-1/2"	146-153	108-113	1
-20	1 1/4"	1-7/8"	172-180	127-133	1
-24	1 1/2"	2-1/8"	214-226	158-167	1

O-Ring Boss Torque Values (Lubricated)

SAE No.	Tube Size O.D.	Nut Size Across Flats	Torque Value	Torque Value	F.F.F.T
	in.	in.	N.m	lb.-ft.	Flats
-04	1/4"	9/16"	18-20	13-15	1
-06	3/8"	11/16"	27-34	22-25	1
-08	1/2"	7/8"	54-58	40-43	1
-12	3/4"	1-1/4"	92-102	68-75	1
-16	1"	1-1/2"	152-169	112-123	3/4
-20	1 1/4"	1-7/8"	198-226	146-200	3/4
-24	1 1/2"	2-1/8"	209-291	154-215	1/2

O-Ring Face Seal Torque Values (Lubricated)

SAE No.	Tube Size O.D.	Nut Size Across Flats	Torque Value	Torque Value	F.F.F.T
	in.	in.	N.m	lb.-ft.	Flats
-04	1/4"	9/16"	14-16	10-12	1
-06	3/8"	11/16"	24-27	18-20	1
-08	1/2"	7/8"	43-47	32-35	1
-12	3/4"	1-1/4"	88-95	65-70	1
-16	1"	1-1/2"	125-136	92-100	3/4
-20	1 1/4"	1-7/8"	170-190	125-140	3/4
-24	1 1/2"	2-1/8"	203-224	150-165	3/4

Pipe Thread Torque Values

SAE No.	Tube Size O.D.	Nut Size Across Flats	Torque Value	Torque Value	F.F.F.T
	in.	in.	N.m	lb.-ft.	Flats
-04	1/4"	9/16"	34	25	3/4-1 3/4
-06	3/8"	11/16"	54	40	3/4-1 3/4
-08	1/2"	7/8"	73	54	1/2-1 1/2
-12	3/4"	1-1/4"	106	78	1/2-1 1/2
-16	1"	1-1/2"	152	112	1/2-1 1/2
-20	1 1/4"	1-7/8"	209	154	1/2-1 1/2
-24	1 1/2"	2-1/8"	286	211	1/2-1 1/2

Flats From Finger Tight (F.F.F.T)

is a **Turn Method** that counts the number of hex flats past the finger tightened position.

Assembly Steps With a Visual Check

- 1) With the tube flared, make sure the tubing and threads are clean.
- 2) Lubricate the threads with 10W hydraulic oil.
- 3) Hand tighten the nut/sleeve (approx. 30 lb-in.).
- 4) Make alignment marks on the nut and fitting.
- 5) Proceed to tighten to F.F.F.T. or lb-ft. values.
- 6) When fully tightened make a 2nd set of alignment marks at the fully tightened position.

O-Ring Boss Assembly

- 1) Inspect the components and make sure the port, O-ring, sealing surfaces, and threads are clean, and free of damage.
- 2) Install an O-ring if needed. Take special care not to cut it on the threads. We install our O-rings with special mandrels, or cones.
- 3) Lubricate the threads and O-ring with 10W hydraulic oil.
- 4) For an adjustable ORB, completely back off the locknut/washer.
- 5) Hand tighten the fitting until it contacts the port surface.
- 6) Proceed to tighten the proper specified torque value.

As the Temperature Rises • •

- + 212F = Water boils off.
- + 600F = Flux starts to bubble.
- + 800F = Flux becomes translucent.
- + 1100F = Flux melts and becomes clear and active, looks like water.
- + 1125F = Silver braze ring melts.
- + 1140F = Silver flows evenly throughout the joint allowing the braze sleeve to drop and be fully seated.
At this point the metal will take on a dark reddish look.








SECTION 2.00

HYDRAULICS

HYDRAULICS CODING BREAKDOWN

- mj - Male JIC
- fj - Female JIC
- mp - Male Pipe
- fp - Female Pipe
- mb - Male ORB
- fb - Female ORB
- x - Swivel
- mf - Male Flat Face
- ff - Female Flat Face

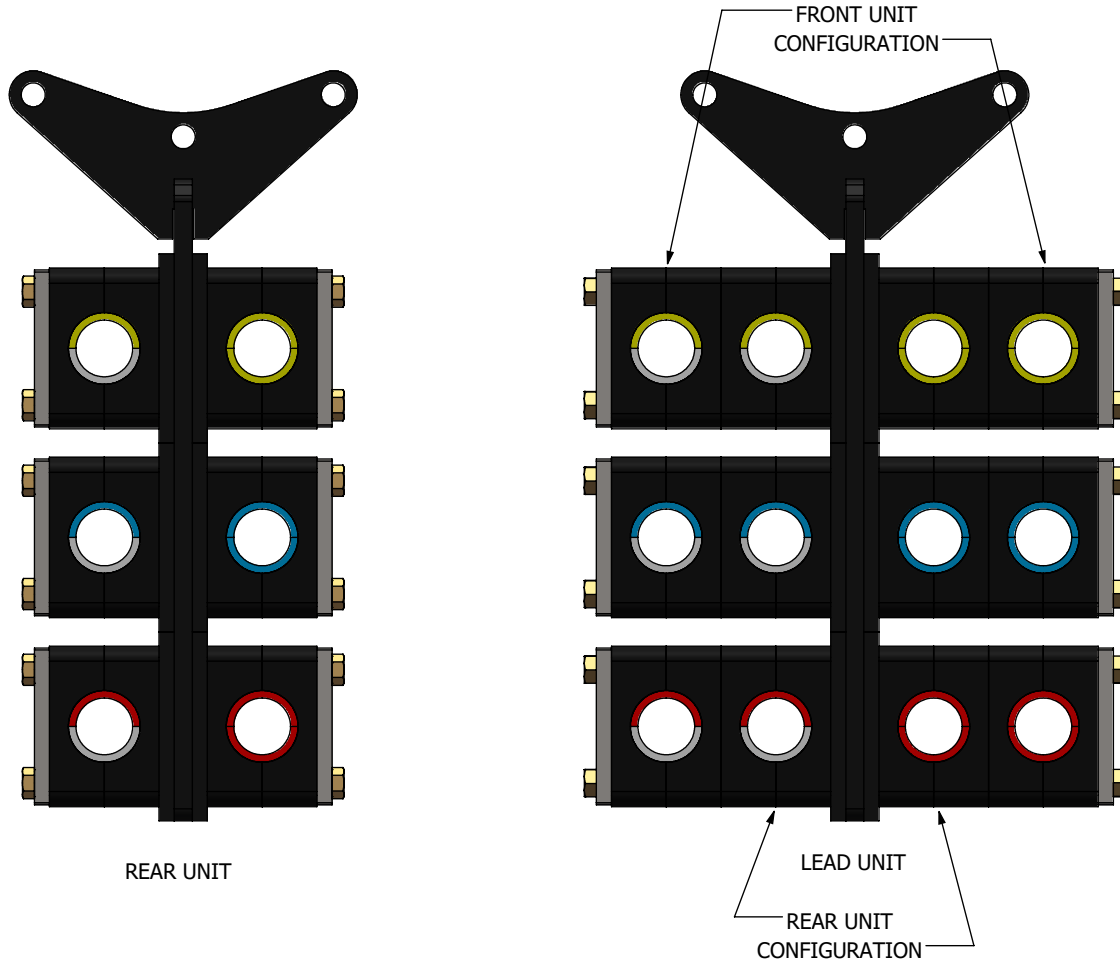
- 6 - 3/8"
- 8 - 1/2"
- 12 - 3/4"
- 16 - 1"

- | | | |
|----------|---|-----------------|
| REMOTE 1 |  | LIFT UP |
| REMOTE 1 |  | LIFT DOWN |
| REMOTE 2 |  | GATE CLOSE |
| REMOTE 2 |  | GATE OPEN |
| REMOTE 3 |  | EJECTOR RETRACT |
| REMOTE 3 |  | EJECTOR EXTEND |
| |  | CUSHION RIDE |

Hose Pressure Rating (x1000) Hose Ends Fittings

424_12_4_046.00E_12fjx 12mj

Hose Inner Diameter Hose Length (in)



VIEW FROM FRONT OF SCRAPER
(HOSE ALIGNMENT IS THE SAME AT BULKHEAD)

FACTORY RECOMMENDED CONTROL SET UP

SOLID COLOR HOSES

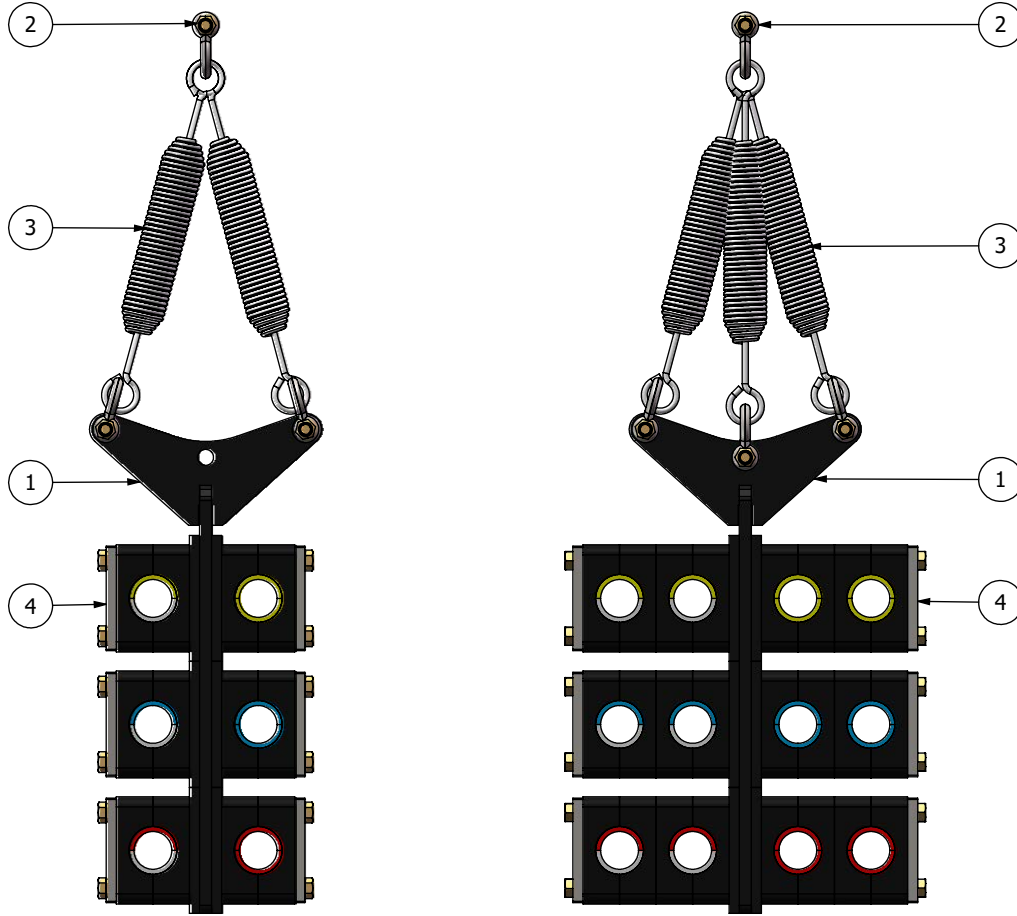
LIFT DOWN	GATE OPEN	EJECTOR EXTEND
REMOTE 1 YELLOW	REMOTE 2 BLUE	REMOTE 2 RED
LIFT UP	GATE CLOSE	EJECTOR RETRACT

DOTTED COLOR HOSES

SECTION 2.00

HYDRAULICS

HYDRAULIC HOSE HANGER



REAR UNIT

LEAD UNIT

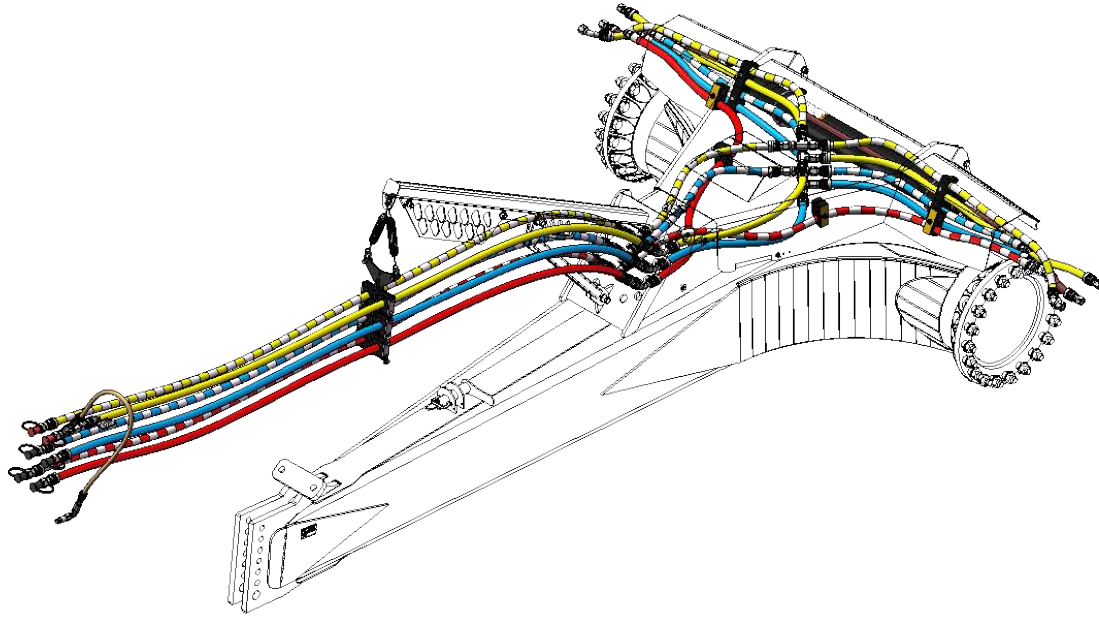
REAR UNIT HOSE HANGER				LEAD UNIT HOSE HANGER			
ITEM	QTY.	PART NUMBER	DESCRIPTION	ITEM	QTY.	PART NUMBER	DESCRIPTION
1	1	301003734_w_H-CG	CLAMP HANGER	1	1	301003734_w_H-CG	CLAMP HANGER
2	3	405100075	SHACKLE 5/16" WITH BOLT & NUT	2	4	405100075	SHACKLE 5/16" WITH BOLT & NUT
3	2	405400007	SHORT SWIVEL HOOK SPRING	3	3	405400007	SHORT SWIVEL HOOK SPRING
4	6	407610319	CLAMP ASSEMBLY 30MM	4	6	407610322	DOUBLE CLAMP ASSEMBLY 30MM

KITS	
407610319	
QTY	DESCRIPTION
1	RUBBER INSERT: 30 MM
1	COVER PLATE FOR SINGLE CLAMP 5S
2	CLAMP HALF 5S
2	BOLT GR. 8 UNC 3/8" X 2-3/4"
407610322	
QTY	DESCRIPTION
2	RUBBER INSERT: 30 MM
1	COVER PLATE FOR SINGLE CLAMP 5S
4	CLAMP HALF 5S
2	BOLT GR. 8 UNC 3/8" X 5"

SECTION 2.01

HYDRAULICS

2411-3413 POLE
(REAR/SINGLE)



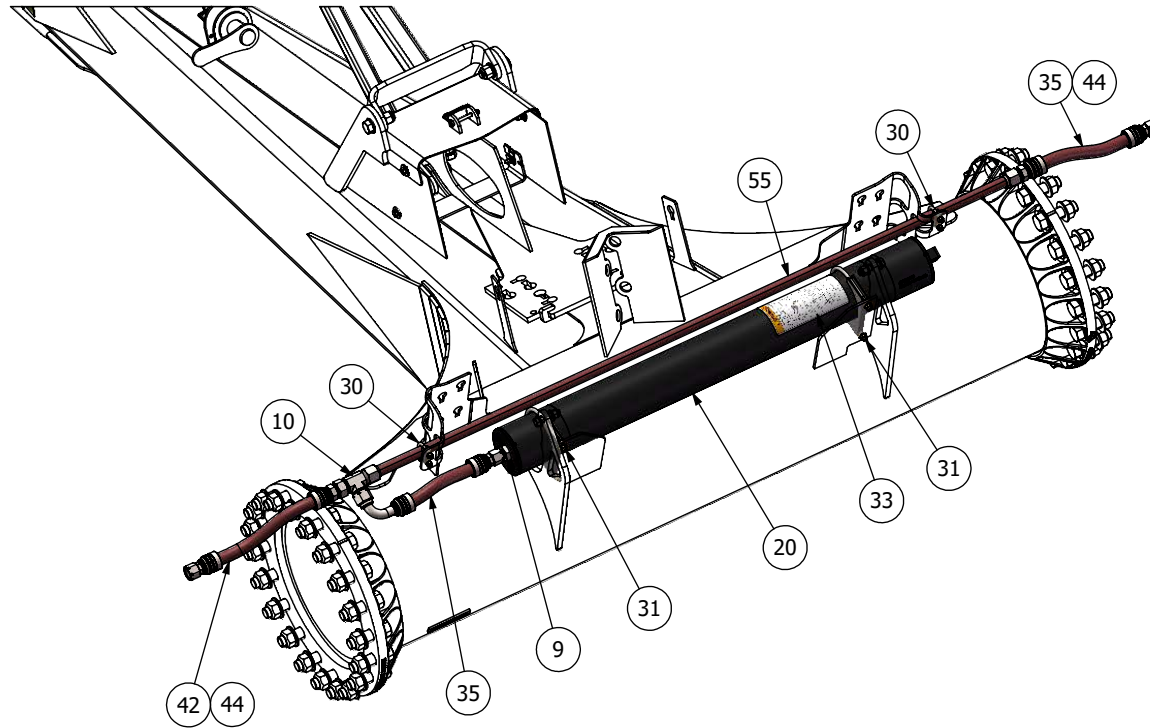
2411/2811 HYDRAULIC COMPONENTS				3013/3413 HYDRAULIC COMPONENTS			
ITEM	QTY.	PART NUMBER	DESCRIPTION	ITEM	QTY.	PART NUMBER	DESCRIPTION
36	2	424203704	HOSE - 12_058.50E_12FJX 12FJX45	49	2	424207054	HOSE - 12_5_070.50E_12FJX 12FJX45
37	2	424203706	HOSE - 12_056.50E_12FJX 12FJX	50	2	424207055	HOSE - 12_5_068.50E_12 FJX 12FJX
38	2	424203708	HOSE - 12_044.00E_12MJ 12FJX	51	2	424207056	HOSE - 12_5_029.25E_16MJ 12FJX
39	2	424203710	HOSE - 12_045.50E_12MJ 12FJX	52	2	424207057	
42	2	424203716	HOSE - 12_017.25E_16MJ 12FJX	53	2	424207058	HOSE - 12_5_057.50E_12MJ 12FJX
43	2	424203718	HOSE - 12_078.50E_12MJ 16FJX45	54	2	424207059	HOSE - 12_5_090.50E_12MJ 16FJX45

COMMON HYDRAULIC COMPONENTS				
ITEM	QTY.	PART NUMBER	ALT. P.N.	DESCRIPTION
1	1	4071_06mj_06fjx_LS		LIVE SWIVEL MJIC-06 X FJIC-06
2	1	4071_08mb_06mj90		ELBOW 90 DEG MORB-08 X MJIC-06
3	1	4071_08mj_08fj (063)		ORIFICE MJIC-08 X JIC-08 X 0.063
4	1	4071_12mb_08mj		ADAPTER 12 MJIC X 08 MJIC
5	1	4071_12mb_12fb_12fb		TEE MORB-12 X FORB-12 X FORB-12
6	1	4071_12mb_12mj_LS		ADAPTER: 12 MORB X 12 MJIC LIVE SWIVEL
7	4	4071_12mj_12mj_BH_12mj	AHA-00130	BULKHEAD TEE MJIC-12 3 WAY
8	4	4071_12mj_BH nut	AHA-00099	BULKHEAD NUT JIC 3/4"
9	1	4071_16mb_12mj		ADAPTER MORB-16 X MJIC-12
10	1	4071_16mj_16fjx_16mj		TEE MJIC-16 X FJX-16 X MJ-16
11	6	4071_16mj_16mj_BH		BULKHEAD MJIC-16 X MJIC-16
12	6	4071_16mj_BH nut		BULKHEAD NUT JIC 1"
13	24	4072_12_12fjx		CRIMP FITTING: 12 X 12 FJIC
14	4	4072_12_12fjx45		CRIMP FITTING, 12 XFJIC, 12 SWIVEL, 45 DEG
15	12	4072_12_12mj		CRIMP FITTING: 12 X MJIC 12
16	6	4072_12_16fjx45		4072_12_16fjx45
17	2	4072_12_16mj		4072_12_16mj
20	1	402000010-CB		ACCUMULATOR 2.1 GAL RBDL [4000 PSI] RAMROD
23	4	407000073	400210	DUST CAP MALE 1/2" BODY QUICK CONNECT - BLACK
24	2	407000074	400219	DUST CAP MALE 1/2" BODY QUICK CONNECT - RED
25	1	407300006		TIP FF 3/8" BODY FORB-08
26	6	407300048		MALE TIP 1/2" BODY ORB -12 (ISO 7241)
27	1	407600201		P-CLIP 1/2"
29	8	407610039 KIT		SINGLE STACK CLAMP ASSEMBLY, .75" HOSE
30	2	407610106 KIT		CLAMP ASSEMBLY, .75" TUBE
31	2	407610175		CLAMP ASSEMBLY 5" ACCUMULATOR
33	1	411000470		DECAL: ACCUMULATOR
34	1	411100038 KIT		SCRAPER CASE DRAIN NOTICE
35	1	424201225		HOSE - 12_5_013.50E_12FJX 16FJX90
40	2	424203712		HOSE - 12_5_038.50E_12FJX 16FJX45
41	2	424203714		HOSE - 12_5_040.00E_12FJX 16FJX45
44	1	424203844		HOSE - 06_039.00E_06FJX 08FJX
45	1	424203846		HOSE - 12_5_130.00E_12FJX 16FJX
46	1	424203848		HOSE - 12_5_135.00E_12MB 16FJX
47	2	424203850		HOSE - 12_5_133.00E_12MB 16FJX
48	2	424203854		HOSE - 12_5_132.00E_12MB 16FJX
55	1	426000423		RIDE CONTROL LINE

SECTION 2.01

HYDRAULICS

2411-3413 POLE, CUSHION RIDE
(REAR/SINGLE & FRONT/LEAD)



* WHEN SERVICING CYLINDERS
MAKE SURE TO RECHARGE ACCUMULATOR.

2411/2811 = 1450 psi
3013/3413 = 1650 psi

2411/2811 HYDRAULIC COMPONENTS				3013/3413 HYDRAULIC COMPONENTS			
ITEM	QTY.	PART NUMBER	DESCRIPTION	ITEM	QTY.	PART NUMBER	DESCRIPTION
42	2	424203716	HOSE - 12_017.25E_16MJ 12FJX	51	2	424207056	HOSE - 12_5_029.25E_16MJ 12FJX

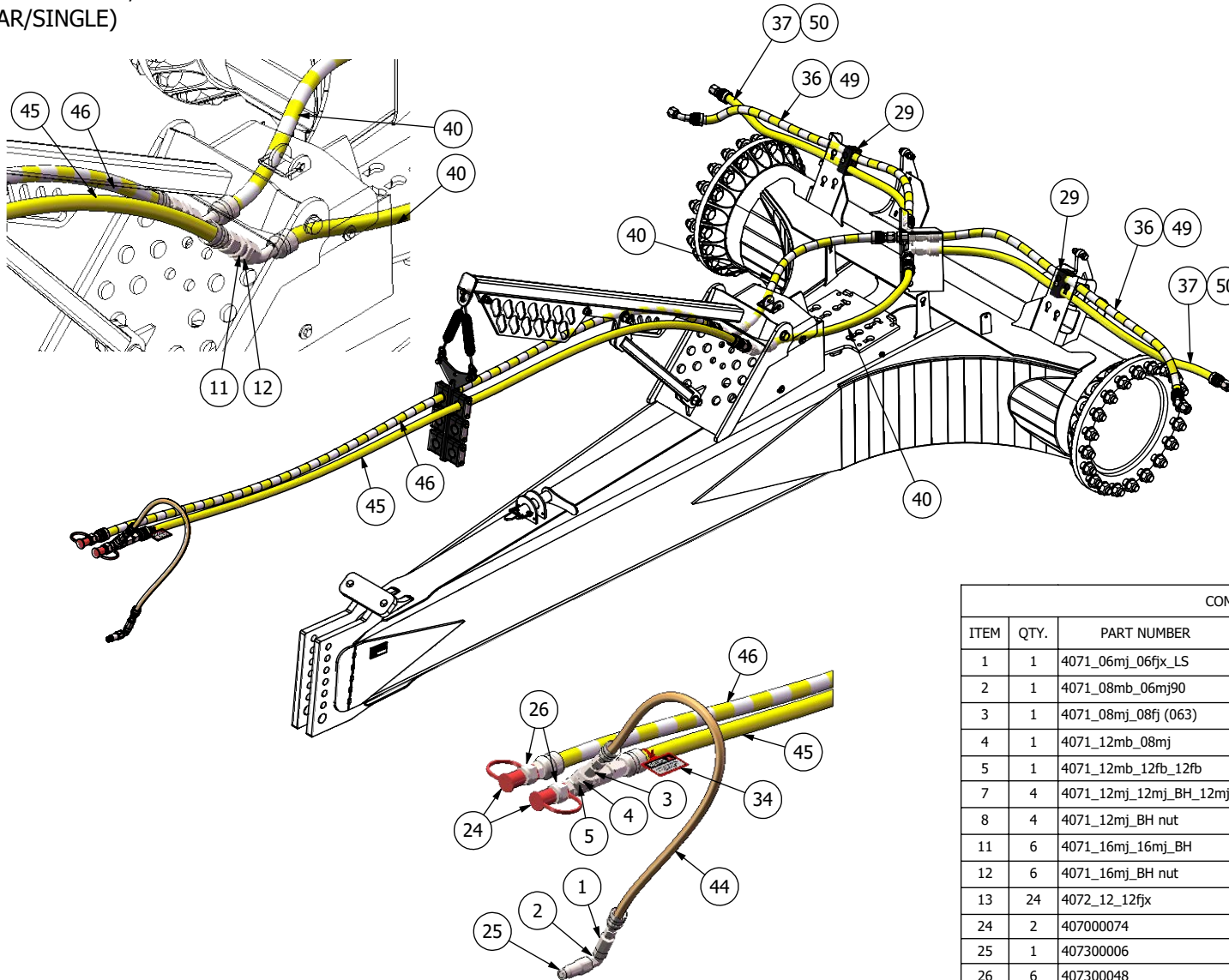
KITS	
407610106	
QTY	DESCRIPTION
2	NUT GR. 8 UNC 5/16" STOVER LOCK
1	U BOLT RETAINER FOR 1 INCH LINE
1	U BOLT FOR 1 INCH LINE
407610175	
QTY	DESCRIPTION
2	3/8" FLANGE NUT
1	U BOLT - ACCUMULATOR
1	U BOLT RETAINER

COMMON HYDRAULIC COMPONENTS			
ITEM	QTY.	PART NUMBER	DESCRIPTION
9	1	4071_16mb_12mj	ADAPTER MORB-16 X MJIC-12
10	1	4071_16mj_16fjx_16mj	TEE MJIC-16 X FJX-16 X MJ-16
20	1	40200010-CB	ACCUMULATOR 2.1 GAL RBDL [4000 PSI] RAMROD
30	2	407610106 KIT	CLAMP ASSEMBLY, .75" TUBE
31	2	407610175	CLAMP ASSEMBLY 5" ACCUMULATOR
33	1	411000470	DECAL: ACCUMULATOR
35	1	424201225	HOSE - 12_5_013.50E_12FJX 16FJX90
55	1	426000423	RIDE CONTROL LINE

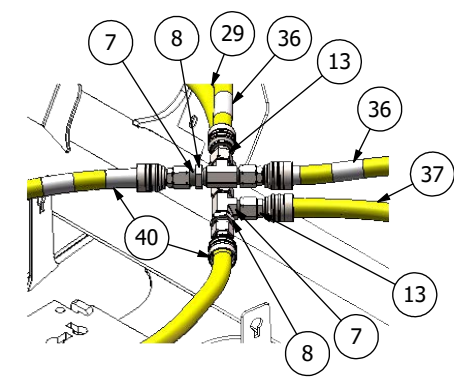
SECTION 2.01

HYDRAULICS

2411-3413 POLE, LIFT
(REAR/SINGLE)



KITS	
407610039	
QTY	DESCRIPTION
1	PLATE 1.2" TWIN CLAMP
2	CLAMP TWIN .75" HYD. HOSE
1	BOLT 3/8" x 3" UNC CARRIAGE
1	NUT: STOVER, 3/8" UNC
1	WASHER GR. 8 - 3/8" STRUCTURAL



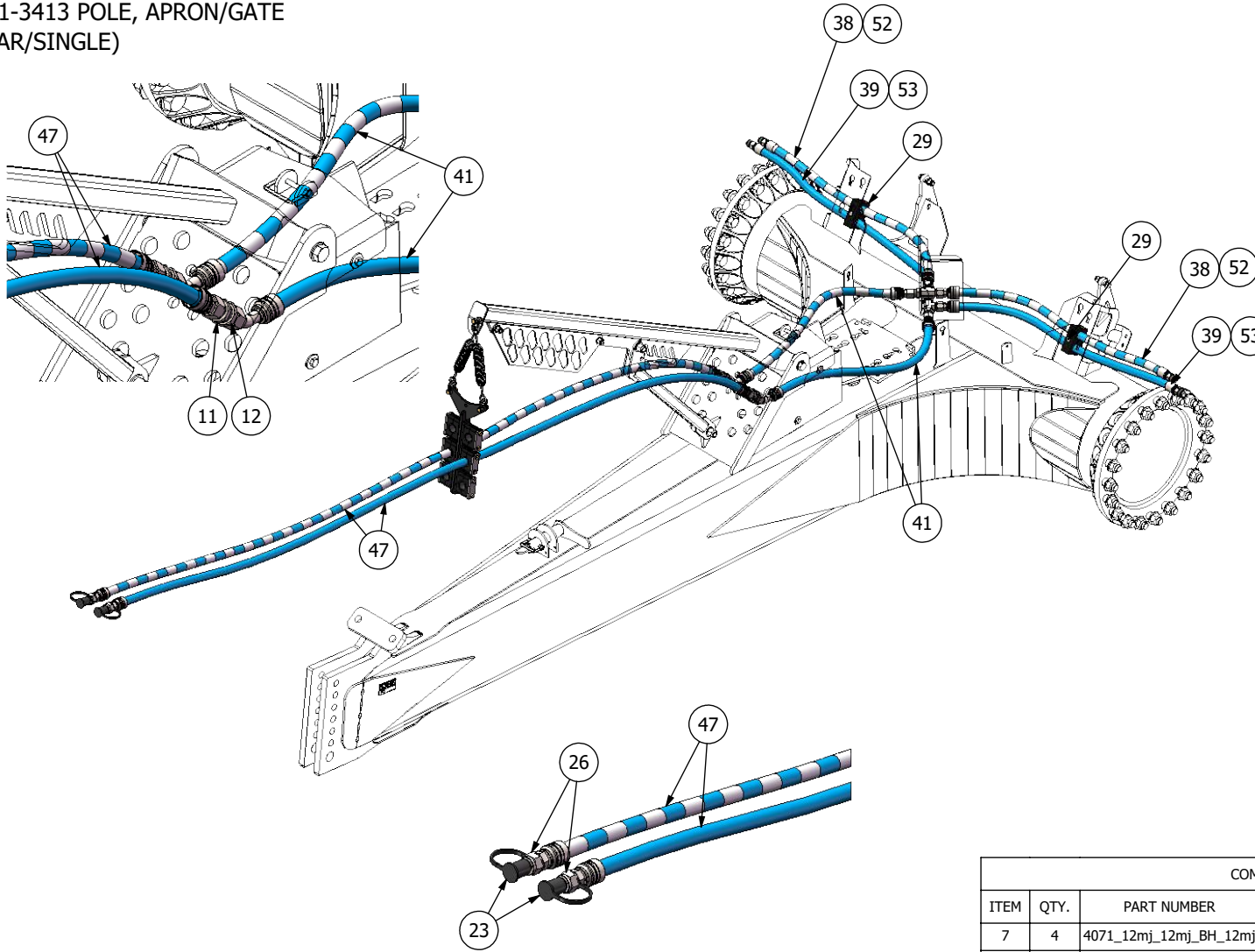
COMMON HYDRAULIC COMPONENTS				
ITEM	QTY.	PART NUMBER	ALT. P.N.	DESCRIPTION
1	1	4071_06mj_06fjx_LS		LIVE SWIVEL MJIC-06 X FJIC-06
2	1	4071_08mb_06mj90		ELBOW 90 DEG MORB-08 X MJIC-06
3	1	4071_08mj_08fj (063)		ORIFICE MJIC-08 X JIC-08 X 0.063
4	1	4071_12mb_08mj		ADAPTER 12 MJIC X 08 MJIC
5	1	4071_12mb_12fb_12fb		TEE MORB-12 X FORB-12 X FORB-12
7	4	4071_12mj_12mj_BH_12mj	AHA-00130	BULKHEAD TEE MJIC-12 3 WAY
8	4	4071_12mj_BH nut	AHA-00099	BULKHEAD NUT JIC 3/4"
11	6	4071_16mj_16mj_BH		BULKHEAD MJIC-16 X MJIC-16
12	6	4071_16mj_BH nut		BULKHEAD NUT JIC 1"
13	24	4072_12_12fjx		CRIMP FITTING: 12 X 12 FJIC
24	2	407000074	400219	DUST CAP MALE 1/2" BODY QUICK CONNECT - RED
25	1	407300006		TIP FF 3/8" BODY FORB-08
26	6	407300048		MALE TIP 1/2" BODY ORB -12 (ISO 7241)
29	8	407610039 KIT		SINGLE STACK CLAMP ASSEMBLY, .75" HOSE
34	1	411100038 KIT		SCRAPER CASE DRAIN NOTICE
40	2	424203712		
44	1	424203844		HOSE - 06_039.00E_06FJX 08FJX
45	1	424203846		HOSE - 12_5_130.00E_12FJX_16FJX
46	1	424203848		HOSE - 12_5_135.00E_12MB 16FJX

2411/2811 HYDRAULIC COMPONENTS				3013/3413 HYDRAULIC COMPONENTS			
ITEM	QTY.	PART NUMBER	DESCRIPTION	ITEM	QTY.	PART NUMBER	DESCRIPTION
36	2	424203704	HOSE - 12_058.50E_12FJX 12FJX45	49	2	424207054	HOSE - 12_5_070.50E_12FJX 12FJX45
37	2	424203706	HOSE - 12_056.50E_12FJX 12FJX	50	2	424207055	HOSE - 12_5_068.50E_12 FJX 12FJX

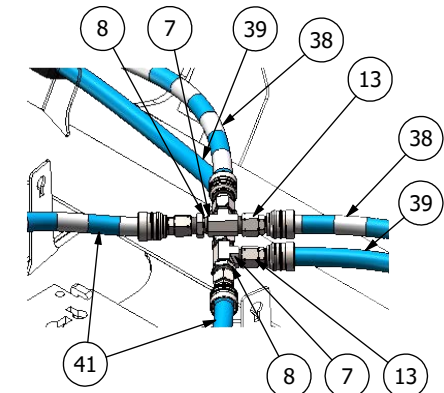
SECTION 2.01

HYDRAULICS

2411-3413 POLE, APRON/GATE
(REAR/SINGLE)



KITS	
407610039	
QTY	DESCRIPTION
1	PLATE 1.2" TWIN CLAMP
2	CLAMP TWIN .75" HYD. HOSE
1	BOLT 3/8" x 3" UNC CARRIAGE
1	NUT: STOVER, 3/8" UNC
1	WASHER GR. 8 - 3/8" STRUCTURAL



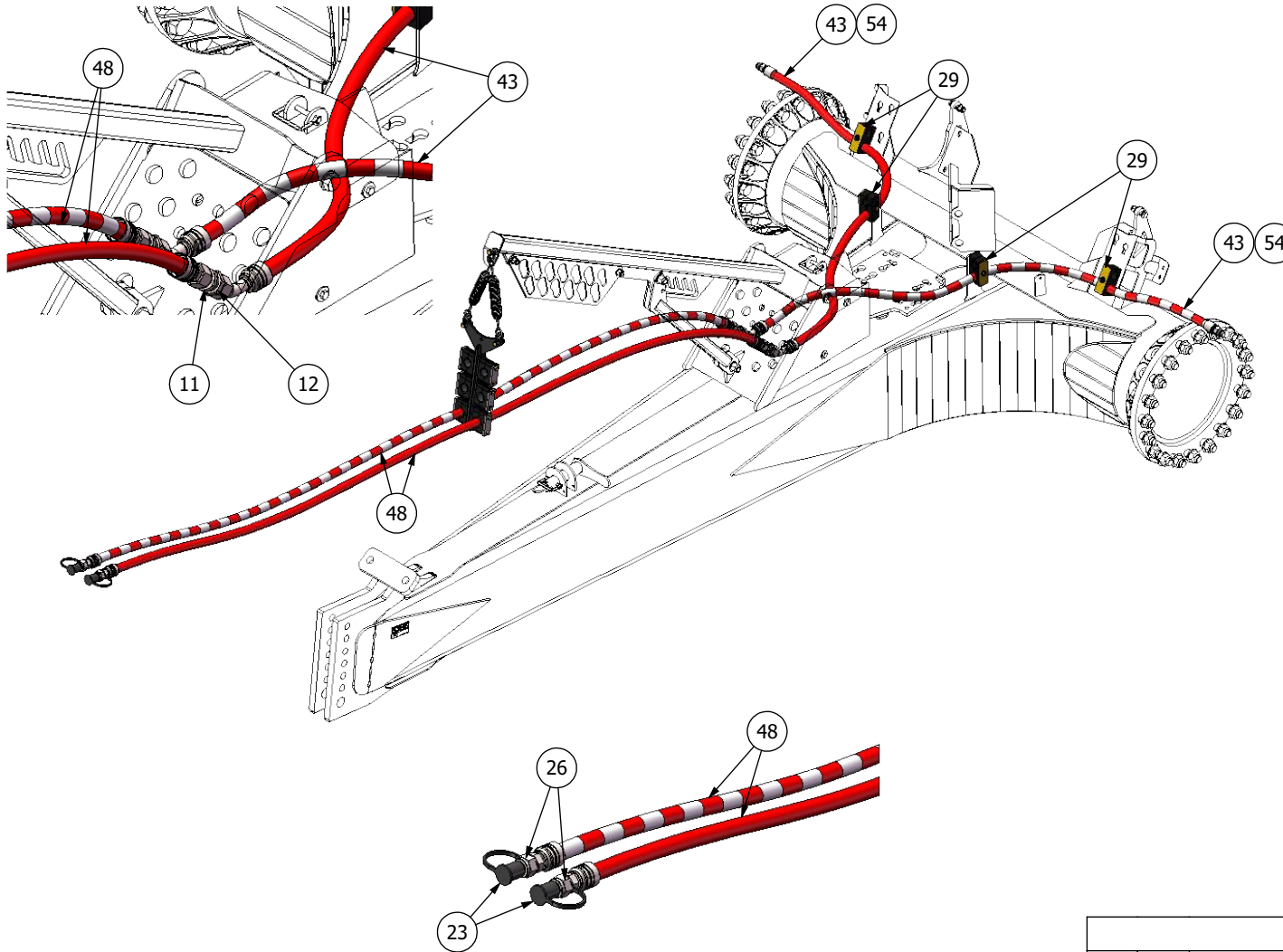
2411/2811 HYDRAULIC COMPONENTS				3013/3413 HYDRAULIC COMPONENTS			
ITEM	QTY.	PART NUMBER	DESCRIPTION	ITEM	QTY.	PART NUMBER	DESCRIPTION
38	2	424203708	HOSE - 12_044.00E_12MJ 12FJX	52	2	424207057	
39	2	424203710	HOSE - 12_045.50E_12MJ 12FJX	53	2	424207058	HOSE - 12_5_057.50E_12MJ 12FJX

COMMON HYDRAULIC COMPONENTS				
ITEM	QTY.	PART NUMBER	ALT. P.N.	DESCRIPTION
7	4	4071_12mj_12mj_BH_12mj	AHA-00130	BULKHEAD TEE MJIC-12 3 WAY
8	4	4071_12mj_BH nut	AHA-00099	BULKHEAD NUT JIC 3/4"
11	6	4071_16mj_16mj_BH		BULKHEAD MJIC-16 X MJIC-16
12	6	4071_16mj_BH nut		BULKHEAD NUT JIC 1"
13	24	4072_12_12fjx		CRIMP FITTING: 12 X 12 FJIC
23	4	407000073	400210	DUST CAP MALE 1/2" BODY QUICK CONNECT - BLACK
26	6	407300048		MALE TIP 1/2" BODY ORB -12 (ISO 7241)
29	8	407610039 KIT		SINGLE STACK CLAMP ASSEMBLY, .75" HOSE
41	2	424203714		HOSE - 12_5_040.00E_12FJX 16FJX45
47	2	424203850		HOSE - 12_5_133.00E_12MB_16FJX

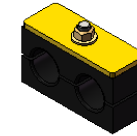
SECTION 2.01

HYDRAULICS

2411-3413 POLE, EJECTOR
(REAR/SINGLE)



KITS



407610039	
QTY	DESCRIPTION
1	PLATE 1.2" TWIN CLAMP
2	CLAMP TWIN .75" HYD. HOSE
1	BOLT 3/8" x 3" UNC CARRIAGE
1	NUT: STOVER, 3/8" UNC
1	WASHER GR. 8 - 3/8" STRUCTURAL

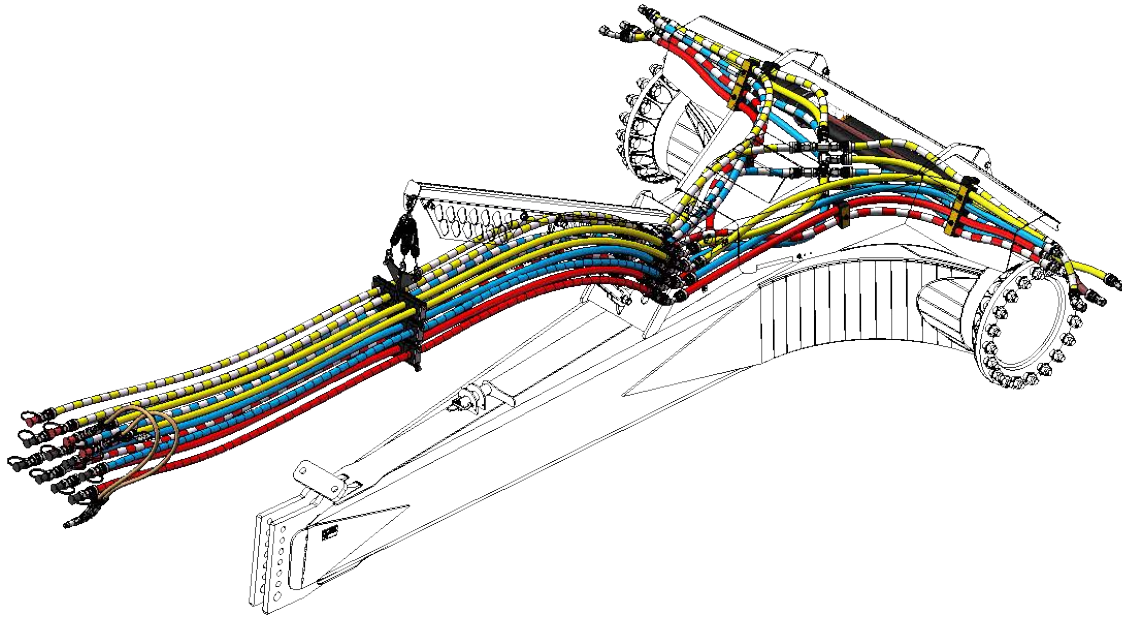
2411/2811 HYDRAULIC COMPONENTS				3013/3413 HYDRAULIC COMPONENTS			
ITEM	QTY.	PART NUMBER	DESCRIPTION	ITEM	QTY.	PART NUMBER	DESCRIPTION
43	2	424203718	HOSE - 12_078.50E_12MJ_16FJX45	54	2	424207059	HOSE - 12_5_090.50E_12MJ 16FJX45

COMMON HYDRAULIC COMPONENTS				
ITEM	QTY.	PART NUMBER	ALT. P.N.	DESCRIPTION
11	6	4071_16mj_16mj_BH		BULKHEAD MJIC-16 X MJIC-16
12	6	4071_16mj_BH nut		BULKHEAD NUT JIC 1"
23	4	407000073	400210	DUST CAP MALE 1/2" BODY QUICK CONNECT - BLACK
26	6	407300048		MALE TIP 1/2" BODY ORB -12 (ISO 7241)
29	8	407610039 KIT		SINGLE STACK CLAMP ASSEMBLY, .75" HOSE
48	2	424203854		HOSE - 12_5_132.00E_12MB_16FJX

SECTION 2.01

HYDRAULICS

2411/2811 POLE
(FRONT/LEAD)

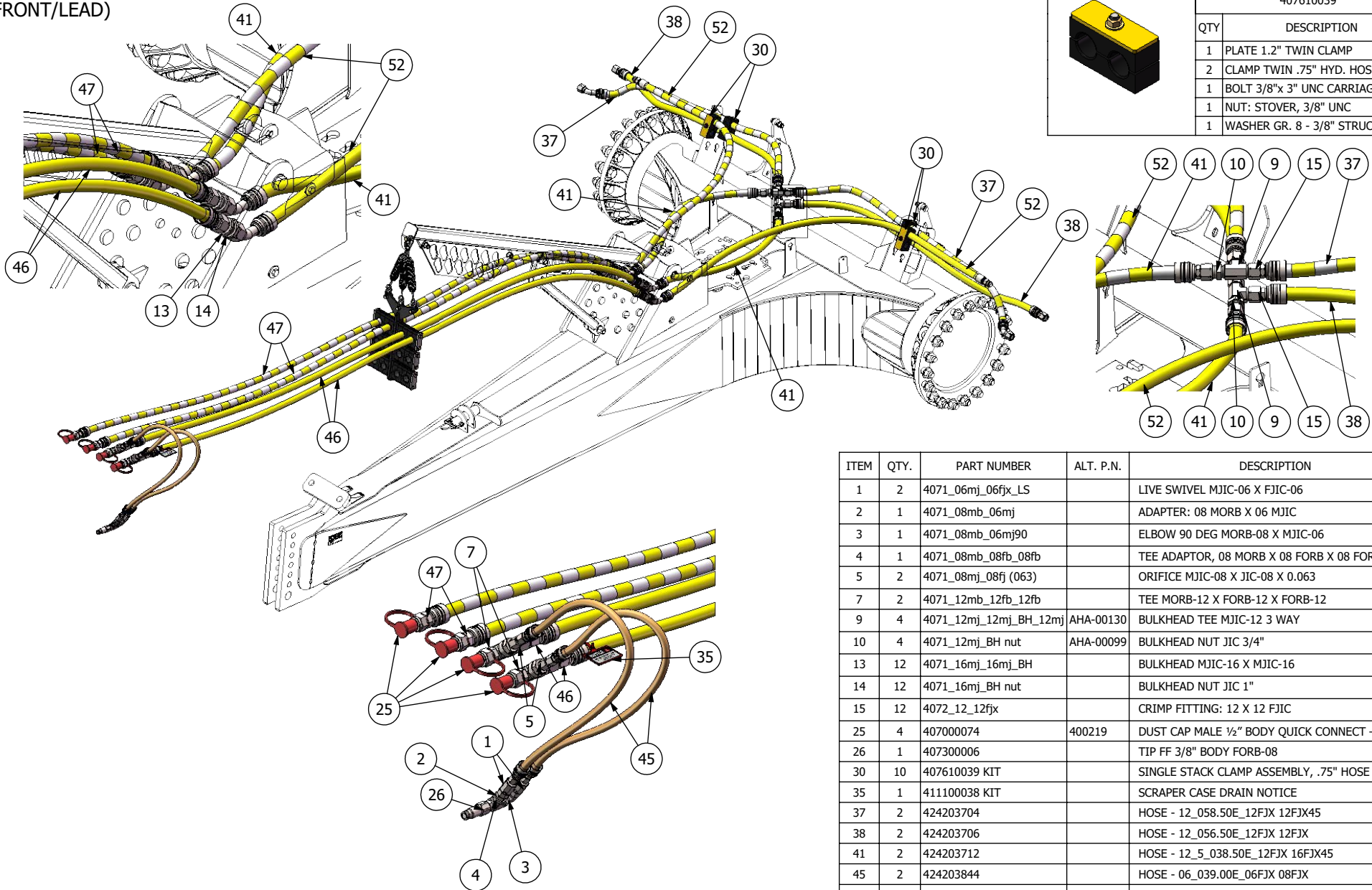


ITEM	QTY.	PART NUMBER	ALT. P.N.	DESCRIPTION
1	2	4071_06mj_06fjx_LS		LIVE SWIVEL MJIC-06 X FJIC-06
2	1	4071_08mb_06mj		ADAPTER: 08 MORB X 06 MJIC
3	1	4071_08mb_06mj90		ELBOW 90 DEG MORB-08 X MJIC-06
4	1	4071_08mb_08fb_08fb		TEE ADAPTOR, 08 MORB X 08 FORB X 08 FORB
5	2	4071_08mj_08fj (063)		ORIFICE MJIC-08 X JIC-08 X 0.063
6	2	4071_12mb_08mj		ADAPTER 12 MJIC X 08 MJIC
7	2	4071_12mb_12fb_12fb		TEE MORB-12 X FORB-12 X FORB-12
8	2	4071_12mb_12mj_LS		ADAPTER: 12 MORB X 12 MJIC LIVE SWIVEL
9	4	4071_12mj_12mj_BH_12mj	AHA-00130	BULKHEAD TEE MJIC-12 3 WAY
10	4	4071_12mj_BH nut	AHA-00099	BULKHEAD NUT JIC 3/4"
11	1	4071_16mb_12mj		ADAPTER MORB-16 X MJIC-12
12	1	4071_16mj_16fjx_16mj		TEE MJIC-16 X FJX-16 X MJ-16
13	12	4071_16mj_16mj_BH		BULKHEAD MJIC-16 X MJIC-16
14	12	4071_16mj_BH nut		BULKHEAD NUT JIC 1"
15	12	4072_12_12fjx		CRIMP FITTING: 12 X 12 FJIC
16	2	4072_12_12fjx45		CRIMP FITTING, 12 XFJIC, 12 SWIVEL, 45 DEG
17	8	4072_12_12mj		CRIMP FITTING: 12 X MJIC 12
18	6	4072_12_16fjx45		4072_12_16fjx45
21	1	402000010-CB		ACCUMULATOR 2.1 GAL RBDL [4000 PSI] RAMROD
24	8	407000073	400210	DUST CAP MALE 1/2" BODY QUICK CONNECT - BLACK
25	4	407000074	400219	DUST CAP MALE 1/2" BODY QUICK CONNECT - RED
26	1	407300006		TIP FF 3/8" BODY FORB-08
27	12	407300048		MALE TIP 1/2" BODY ORB -12 (ISO 7241)
28	1	407600201		P-CLIP 1/2"
30	10	407610039 KIT		SINGLE STACK CLAMP ASSEMBLY, .75" HOSE
31	2	407610106 KIT		CLAMP ASSEMBLY, .75" TUBE
32	2	407610175		CLAMP ASSEMBLY 5" ACCUMULATOR
34	1	411000470		DECAL: ACCUMULATOR
35	1	411100038 KIT		SCRAPER CASE DRAIN NOTICE
36	1	424201225		HOSE - 12_5_013.50E_12FJX 16FJX90
37	2	424203704		HOSE - 12_058.50E_12FJX 12FJX45
38	2	424203706		HOSE - 12_056.50E_12FJX 12FJX
39	2	424203708		HOSE - 12_044.00E_12MJ 12FJX
40	2	424203710		HOSE - 12_045.50E_12MJ 12FJX
41	2	424203712		
42	2	424203714		HOSE - 12_5_040.00E_12FJX 16FJX45
43	2	424203716		HOSE - 12_017.25E_16MJ 12FJX
44	2	424203718		HOSE - 12_078.50E_12MJ_16FJX45
45	2	424203844		
46	2	424203846		HOSE - 12_5_130.00E_12FJX_16FJX
47	2	424203848		HOSE - 12_5_135.00E_12MB 16FJX
48	4	424203850		HOSE - 12_5_133.00E_12MB_16FJX
49	4	424203854		HOSE - 12_5_132.00E_12MB_16FJX
50	2	424207053		HOSE - 12_5_75.00E_12MJ 16FJX 45
51	2	424207080		HOSE - 12_5_075.75E_12MJ 16FJX45
52	2	424207081		HOSE - 12_5_073.25E_12MJ 16FJX45
53	1	426000423		RIDE CONTROL LINE

SECTION 2.01

HYDRAULICS

2411/2811 POLE, LIFT
(FRONT/LEAD)



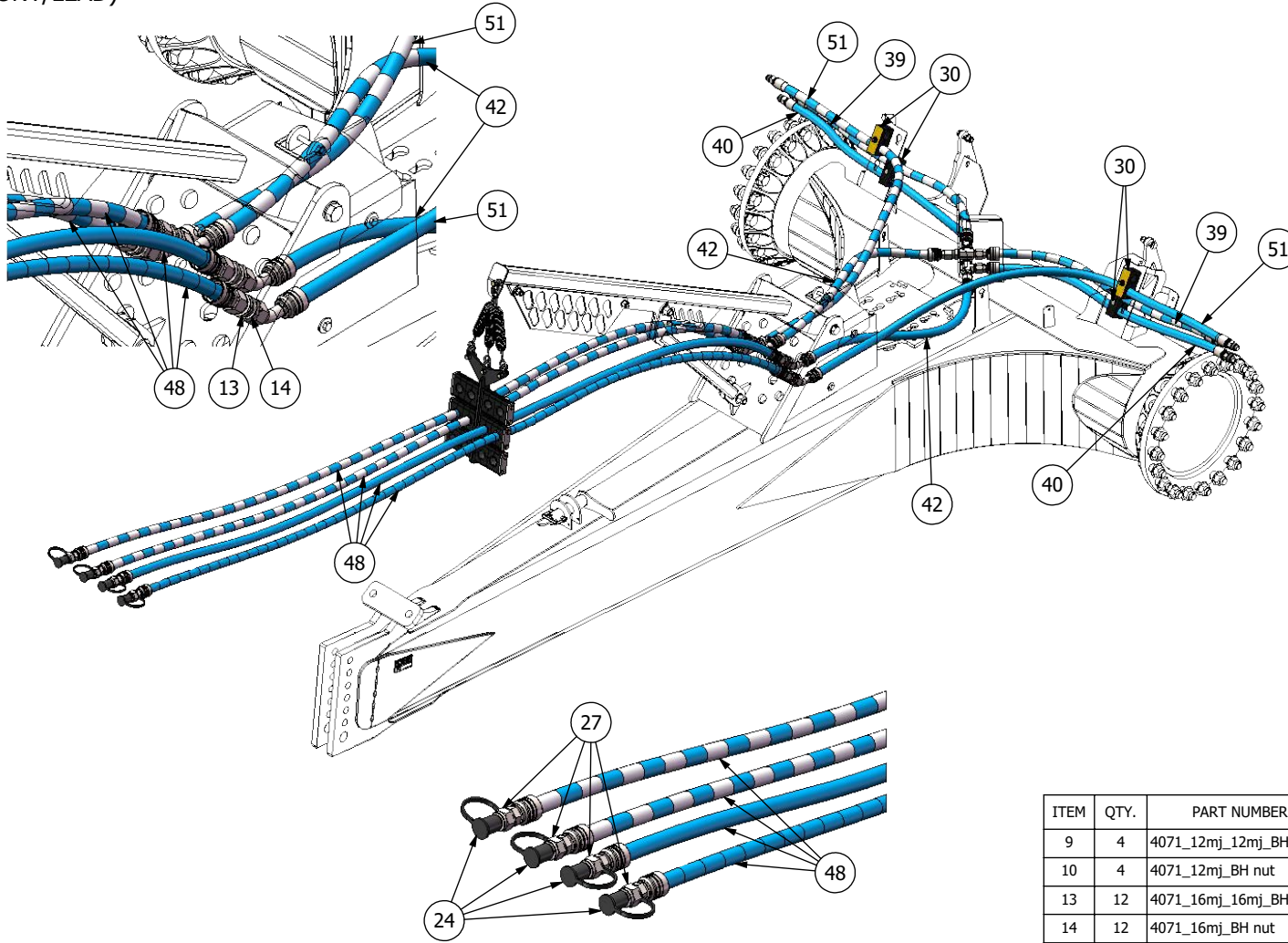
KITS	
407610039	
QTY	DESCRIPTION
1	PLATE 1.2" TWIN CLAMP
2	CLAMP TWIN .75" HYD. HOSE
1	BOLT 3/8"x 3" UNC CARRIAGE
1	NUT: STOVER, 3/8" UNC
1	WASHER GR. 8 - 3/8" STRUCTURAL

ITEM	QTY.	PART NUMBER	ALT. P.N.	DESCRIPTION
1	2	4071_06mj_06fjx_LS		LIVE SWIVEL MJIC-06 X FJIC-06
2	1	4071_08mb_06mj		ADAPTER: 08 MORB X 06 MJIC
3	1	4071_08mb_06mj90		ELBOW 90 DEG MORB-08 X MJIC-06
4	1	4071_08mb_08fb_08fb		TEE ADAPTOR, 08 MORB X 08 FORB X 08 FORB
5	2	4071_08mj_08fj (063)		ORIFICE MJIC-08 X JIC-08 X 0.063
7	2	4071_12mb_12fb_12fb		TEE MORB-12 X FORB-12 X FORB-12
9	4	4071_12mj_12mj_BH_12mj	AHA-00130	BULKHEAD TEE MJIC-12 3 WAY
10	4	4071_12mj_BH nut	AHA-00099	BULKHEAD NUT JIC 3/4"
13	12	4071_16mj_16mj_BH		BULKHEAD MJIC-16 X MJIC-16
14	12	4071_16mj_BH nut		BULKHEAD NUT JIC 1"
15	12	4072_12_12fjx		CRIMP FITTING: 12 X 12 FJIC
25	4	407000074	400219	DUST CAP MALE 1/2" BODY QUICK CONNECT - RED
26	1	407300006		TIP FF 3/8" BODY FORB-08
30	10	407610039 KIT		SINGLE STACK CLAMP ASSEMBLY, .75" HOSE
35	1	411100038 KIT		SCRAPER CASE DRAIN NOTICE
37	2	424203704		HOSE - 12_058.50E_12FJX 12FJX45
38	2	424203706		HOSE - 12_056.50E_12FJX 12FJX
41	2	424203712		HOSE - 12_5_038.50E_12FJX 16FJX45
45	2	424203844		HOSE - 06_039.00E_06FJX 08FJX
46	2	424203846		HOSE - 12_5_130.00E_12FJX_16FJX
47	2	424203848		HOSE - 12_5_135.00E_12MB 16FJX
52	2	424207081		HOSE - 12_5_073.25E_12MJ 16FJX45

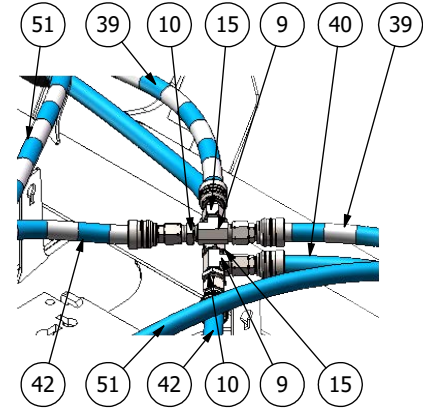
SECTION 2.01

HYDRAULICS

2411/2811 POLE, APRON/GATE
(FRONT/LEAD)



KITS	
407610039	
QTY	DESCRIPTION
1	PLATE 1.2" TWIN CLAMP
2	CLAMP TWIN .75" HYD. HOSE
1	BOLT 3/8" x 3" UNC CARRIAGE
1	NUT: STOVER, 3/8" UNC
1	WASHER GR. 8 - 3/8" STRUCTURAL

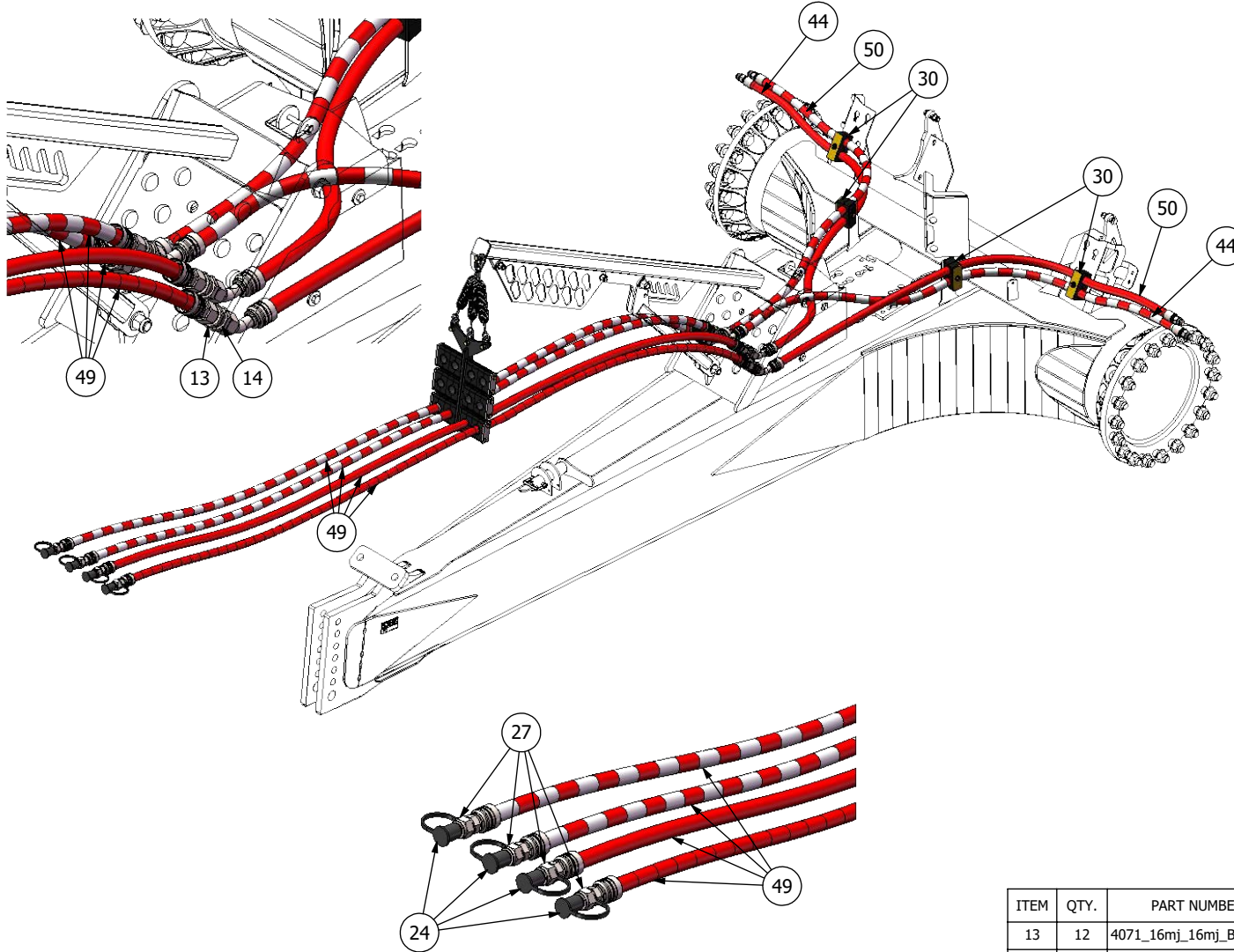


ITEM	QTY.	PART NUMBER	ALT. P.N.	DESCRIPTION
9	4	4071_12mj_12mj_BH_12mj	AHA-00130	BULKHEAD TEE MJIC-12 3 WAY
10	4	4071_12mj_BH nut	AHA-00099	BULKHEAD NUT JIC 3/4"
13	12	4071_16mj_16mj_BH		BULKHEAD MJIC-16 X MJIC-16
14	12	4071_16mj_BH nut		BULKHEAD NUT JIC 1"
15	12	4072_12_12fjx		CRIMP FITTING: 12 X 12 FJIC
24	8	407000073	400210	DUST CAP MALE 1/2" BODY QUICK CONNECT - BLACK
27	12	407300048		MALE TIP 1/2" BODY ORB -12 (ISO 7241)
30	10	407610039 KIT		SINGLE STACK CLAMP ASSEMBLY, .75" HOSE
39	2	424203708		HOSE - 12_044.00E_12MJ 12FJX
40	2	424203710		HOSE - 12_045.50E_12MJ 12FJX
42	2	424203714		HOSE - 12_5_040.00E_12FJX 16FJX45
48	4	424203850		HOSE - 12_5_133.00E_12MB_16FJX
51	2	424207080		HOSE - 12_5_075.75E_12MJ 16FJX45

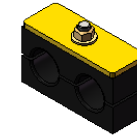
SECTION 2.01

HYDRAULICS

2411/2811 POLE, EJECTOR
(FRONT/LEAD)



KITS



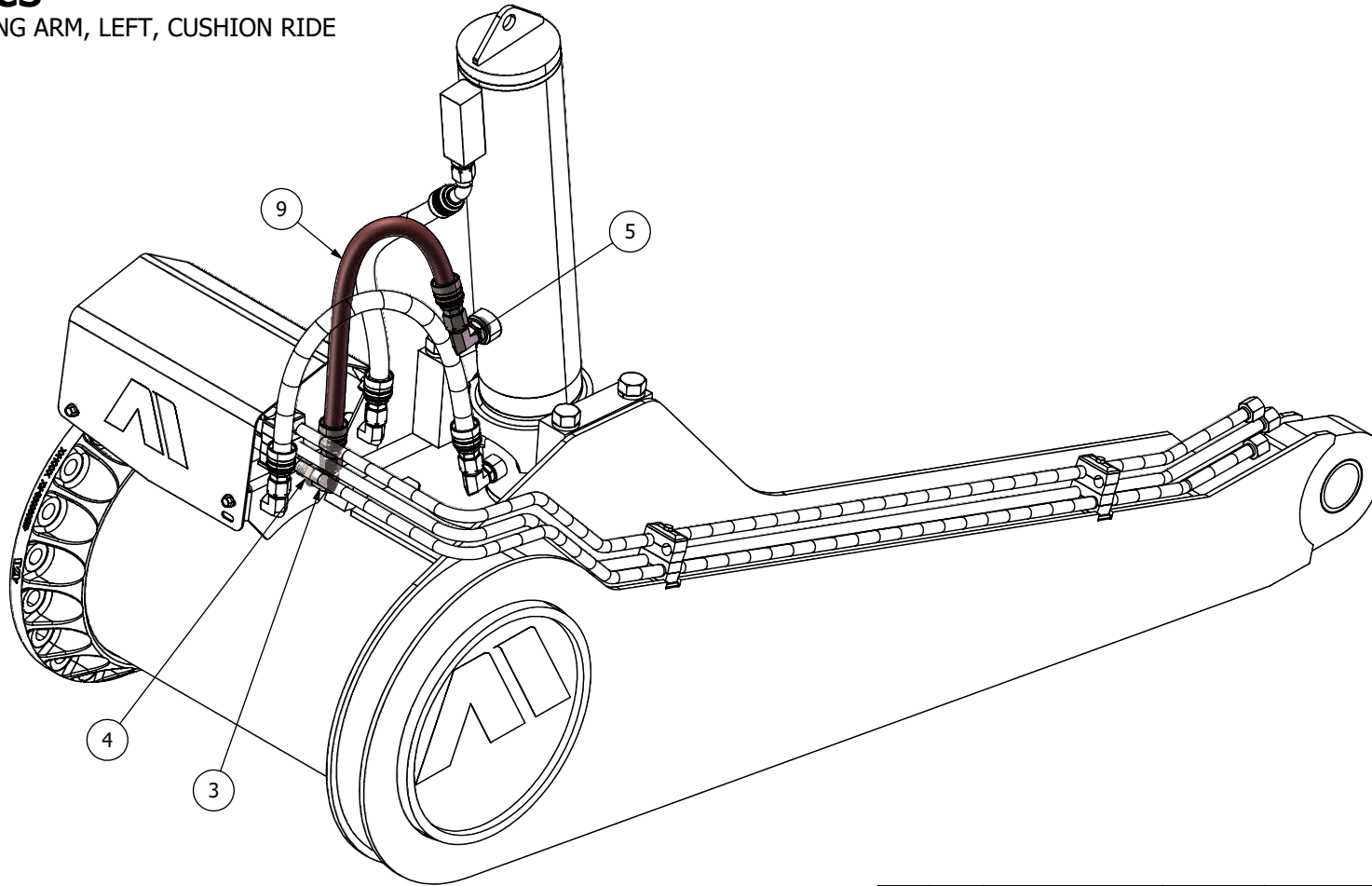
407610039	
QTY	DESCRIPTION
1	PLATE 1.2" TWIN CLAMP
2	CLAMP TWIN .75" HYD. HOSE
1	BOLT 3/8" x 3" UNC CARRIAGE
1	NUT: STOVER, 3/8" UNC
1	WASHER GR. 8 - 3/8" STRUCTURAL

ITEM	QTY.	PART NUMBER	ALT. P.N.	DESCRIPTION
13	12	4071_16mj_16mj_BH		BULKHEAD MJIC-16 X MJIC-16
14	12	4071_16mj_BH nut		BULKHEAD NUT JIC 1"
24	8	407000073	400210	DUST CAP MALE 1/2" BODY QUICK CONNECT - BLACK
27	12	407300048		MALE TIP 1/2" BODY ORB -12 (ISO 7241)
30	10	407610039 KIT		SINGLE STACK CLAMP ASSEMBLY, .75" HOSE
44	2	424203718		HOSE - 12_078.50E_12MJ_16FJX45
49	4	424203854		HOSE - 12_5_132.00E_12MB_16FJX
50	2	424207053		HOSE - 12_5_75.00E_12MJ_16FJX 45

SECTION 2.02

HYDRAULICS

2411-3413 TRAILING ARM, LEFT, CUSHION RIDE
(REAR/SINGLE)

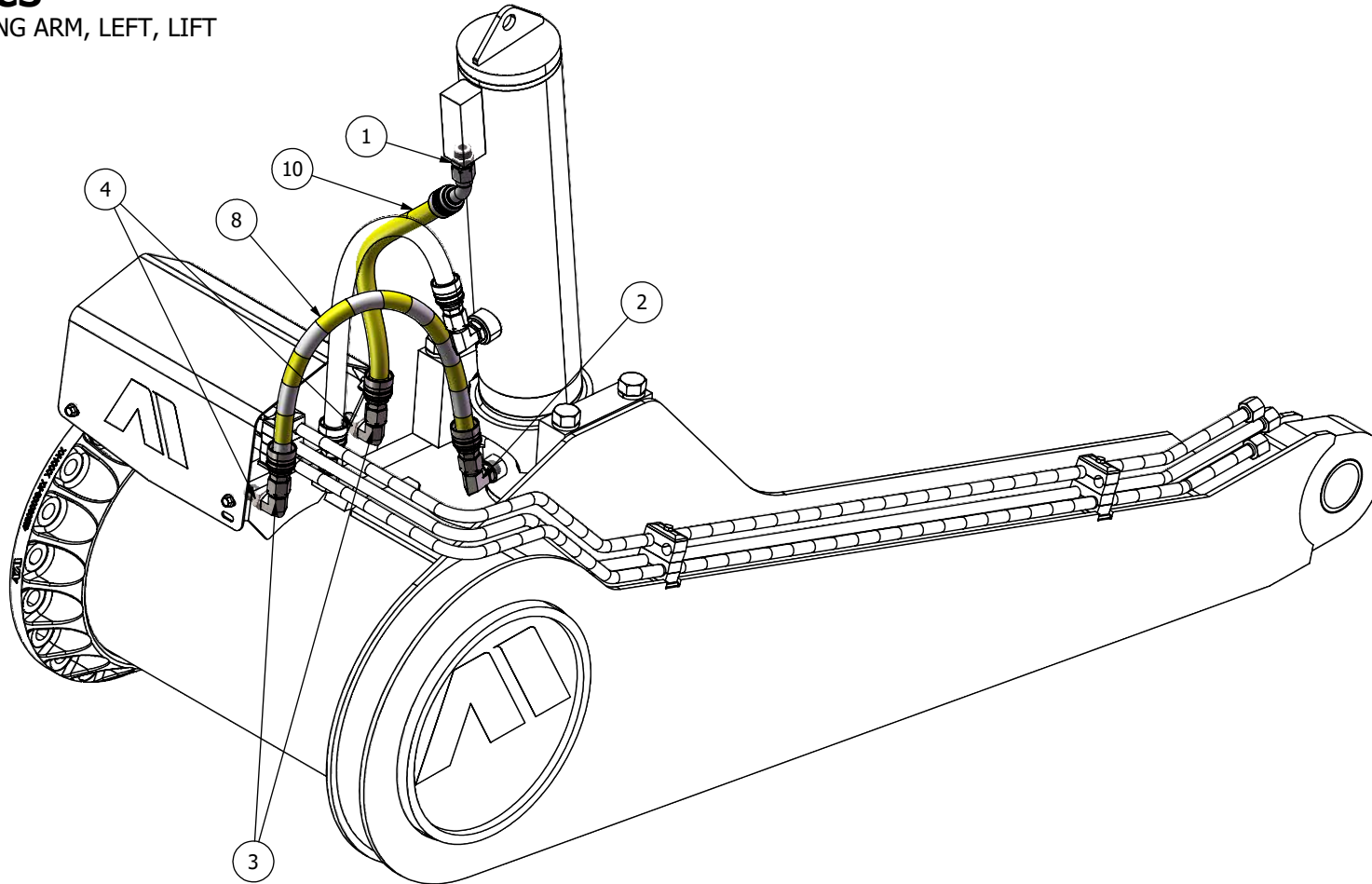


ITEM	QTY.	PART NUMBER	ALT. P.N.	DESCRIPTION
1	1	4071_12mb_12mj	AHA-00041	ADAPTER MORB-12 X MJIC-12
2	1	4071_12mb_12mj90	AHA-00044	3/4" MJIC X 3/4" ORB 90 DEG. ADAPTOR
3	3	4071_12mj_12mj90_BH	AHA-00128	BULKHEAD 90° MJIC-12 X MJIC-12
4	3	4071_12mj_BH nut	AHA-00099	BULKHEAD NUT JIC 3/4"
5	1	4071_16mb_12mj90	AHA-00136	ELBOW ADAPTER 90 DEG. MORB-12 X MJIC 16
6	2	4072_12_12fjx		CRIMP FITTING: 12 X 12 FJIC
7	3	407610401	AHL-00022	DOUBLE STACK HARD LINE CLAMP ASSEMBLY (19 MM)
8	1	424207032		HOSE - 12_5_032.00E_12FJX 12FJX
9	1	424207033		HOSE - 12_5_27.5_12FJX 12FJX
10	1	424207034		HOSE - 12_5_24.14_12FJX 12FJX45
11	1	426003631	400748	TUBE, MIDDLE INNER, FS, 2411+
12	1	426003632	400747	TUBE, LH APRON OPEN, FS, 2411+
13	1	426003633	400746	TUBE, PUSH OFF RETRACT, FS, 2411+

SECTION 2.02

HYDRAULICS

2411-3413 TRAILING ARM, LEFT, LIFT
(REAR/SINGLE)

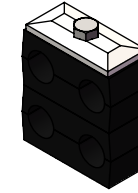
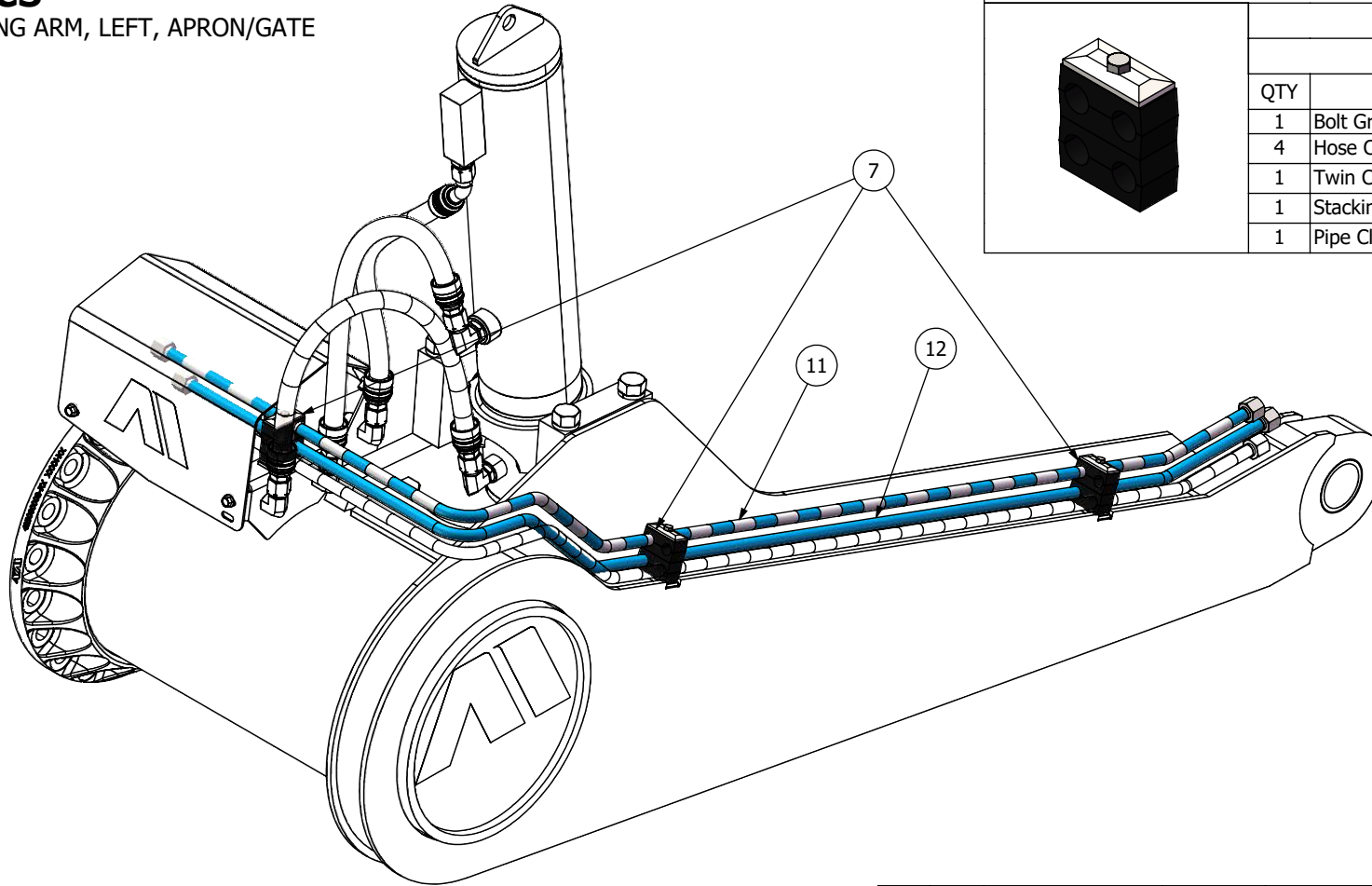


ITEM	QTY.	PART NUMBER	ALT. P.N.	DESCRIPTION
1	1	4071_12mb_12mj	AHA-00041	ADAPTER MORB-12 X MJIC-12
2	1	4071_12mb_12mj90	AHA-00044	3/4" MJIC X 3/4" ORB 90 DEG. ADAPTOR
3	3	4071_12mj_12mj90_BH	AHA-00128	BULKHEAD 90° MJIC-12 X MJIC-12
4	3	4071_12mj_BH nut	AHA-00099	BULKHEAD NUT JIC 3/4"
5	1	4071_16mb_12mj90	AHA-00136	ELBOW ADAPTER 90 DEG. MORB-12 X MJIC 16
6	2	4072_12_12fjx		CRIMP FITTING: 12 X 12 FJIC
7	3	407610401	AHL-00022	DOUBLE STACK HARD LINE CLAMP ASSEMBLY (19 MM)
8	1	424207032		HOSE - 12_5_032.00E_12FJX 12FJX
9	1	424207033		HOSE - 12_5_27.5_12FJX 12FJX
10	1	424207034		HOSE - 12_5_24.14_12FJX 12FJX45
11	1	426003631	400748	TUBE, MIDDLE INNER, FS, 2411+
12	1	426003632	400747	TUBE, LH APRON OPEN, FS, 2411+
13	1	426003633	400746	TUBE, PUSH OFF RETRACT, FS, 2411+

SECTION 2.02

HYDRAULICS

2411-3413 TRAILING ARM, LEFT, APRON/GATE
(REAR/SINGLE)



KITS

407610401

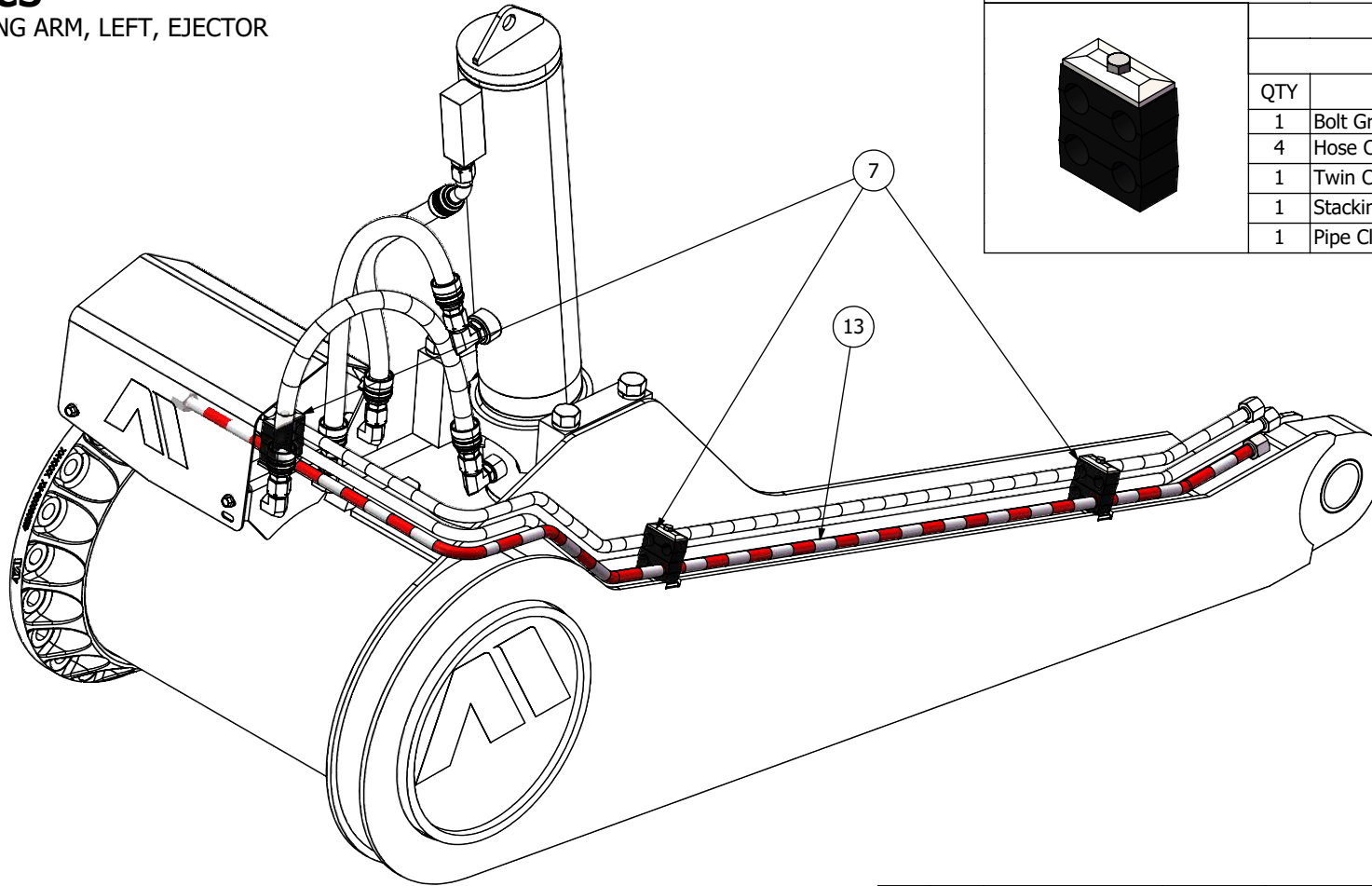
QTY	DESCRIPTION
1	Bolt Gr. 8 UNC 5/16" x 1-3/4"
4	Hose Clamp Half Twin 3D 19mm
1	Twin Clamp Safety Locking Plate 2-3D
1	Stacking Bolt 5/16-18 UNC
1	Pipe Clamps DIN 3015, Cover Plate 3D

ITEM	QTY.	PART NUMBER	ALT. P.N.	DESCRIPTION
1	1	4071_12mb_12mj	AHA-00041	ADAPTER MORB-12 X MJIC-12
2	1	4071_12mb_12mj90	AHA-00044	3/4" MJIC X 3/4" ORB 90 DEG. ADAPTOR
3	3	4071_12mj_12mj90_BH	AHA-00128	BULKHEAD 90° MJIC-12 X MJIC-12
4	3	4071_12mj_BH nut	AHA-00099	BULKHEAD NUT JIC 3/4"
5	1	4071_16mb_12mj90	AHA-00136	ELBOW ADAPTER 90 DEG. MORB-12 X MJIC 16
6	2	4072_12_12fjx		CRIMP FITTING: 12 X 12 FJIC
7	3	407610401	AHL-00022	DOUBLE STACK HARD LINE CLAMP ASSEMBLY (19 MM)
8	1	424207032		HOSE - 12_5_032.00E_12FJX 12FJX
9	1	424207033		HOSE - 12_5_27.5_12FJX 12FJX
10	1	424207034		HOSE - 12_5_24.14_12FJX 12FJX45
11	1	426003631	400748	TUBE, MIDDLE INNER, FS, 2411+
12	1	426003632	400747	TUBE, LH APRON OPEN, FS, 2411+
13	1	426003633	400746	TUBE, PUSH OFF RETRACT, FS, 2411+

SECTION 2.02

HYDRAULICS

2411-3413 TRAILING ARM, LEFT, EJECTOR
(REAR/SINGLE)



KIT

407610401

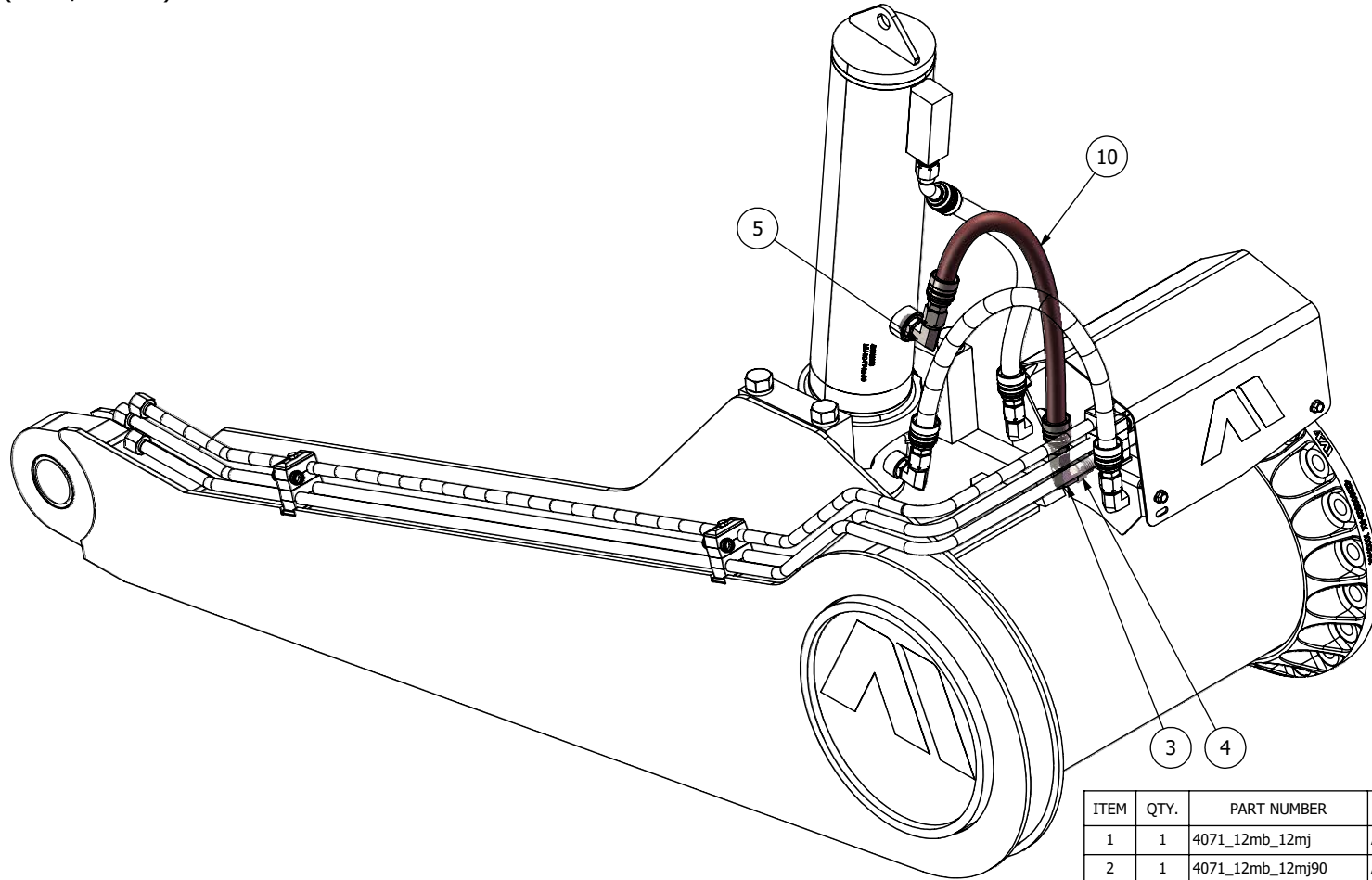
QTY	DESCRIPTION
1	Bolt Gr. 8 UNC 5/16" x 1-3/4"
4	Hose Clamp Half Twin 3D 19mm
1	Twin Clamp Safety Locking Plate 2-3D
1	Stacking Bolt 5/16-18 UNC
1	Pipe Clamps DIN 3015, Cover Plate 3D

ITEM	QTY.	PART NUMBER	ALT. P.N.	DESCRIPTION
1	1	4071_12mb_12mj	AHA-00041	ADAPTER MORB-12 X MJIC-12
2	1	4071_12mb_12mj90	AHA-00044	3/4" MJIC X 3/4" ORB 90 DEG. ADAPTOR
3	3	4071_12mj_12mj90_BH	AHA-00128	BULKHEAD 90° MJIC-12 X MJIC-12
4	3	4071_12mj_BH nut	AHA-00099	BULKHEAD NUT JIC 3/4"
5	1	4071_16mb_12mj90	AHA-00136	ELBOW ADAPTER 90 DEG. MORB-12 X MJIC 16
6	2	4072_12_12fjx		CRIMP FITTING: 12 X 12 FJIC
7	3	407610401	AHL-00022	DOUBLE STACK HARD LINE CLAMP ASSEMBLY (19 MM)
8	1	424207032		HOSE - 12_5_032.00E_12FJX 12FJX
9	1	424207033		HOSE - 12_5_27.5_12FJX 12FJX
10	1	424207034		HOSE - 12_5_24.14_12FJX 12FJX45
11	1	426003631	400748	TUBE, MIDDLE INNER, FS, 2411+
12	1	426003632	400747	TUBE, LH APRON OPEN, FS, 2411+
13	1	426003633	400746	TUBE, PUSH OFF RETRACT, FS, 2411+

SECTION 2.02

HYDRAULICS

2411-3413 TRAILING ARM, RIGHT, CUSHION RIDE
(REAR/SINGLE)

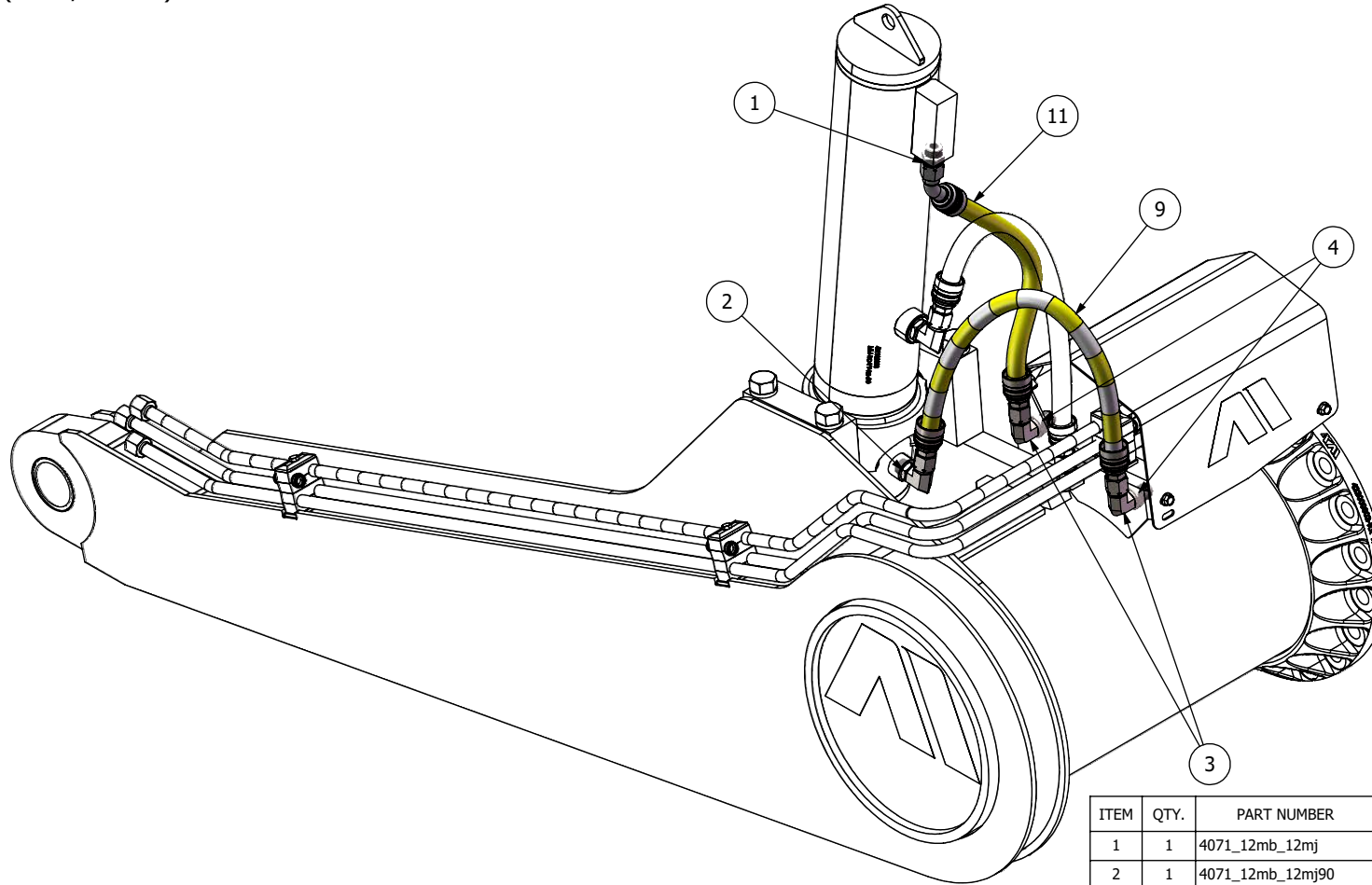


ITEM	QTY.	PART NUMBER	ALT. P.N.	DESCRIPTION
1	1	4071_12mb_12mj	AHA-00041	ADAPTER MORB-12 X MJIC-12
2	1	4071_12mb_12mj90	AHA-00044	3/4" MJIC X 3/4" ORB 90 DEG. ADAPTOR
3	3	4071_12mj_12mj90_BH	AHA-00128	BULKHEAD 90° MJIC-12 X MJIC-12
4	3	4071_12mj_BH nut	AHA-00099	BULKHEAD NUT JIC 3/4"
5	1	4071_16mb_12mj90	AHA-00136	ELBOW ADAPTER 90 DEG. MORB-12 X MJIC 16
6	2	4072_12_12fjx		CRIMP FITTING: 12 X 12 FJIC
7	3	4076_CS_0750		WIRE HARNESS PASS THROUGH
8	3	407610401	AHL-00022	DOUBLE STACK HARD LINE CLAMP ASSEMBLY (19 MM)
9	1	424207032		HOSE - 12_5_032.00E_12FJX 12FJX
10	1	424207033		HOSE - 12_5_27.5_12FJX 12FJX
11	1	424207034		HOSE - 12_5_24.14_12FJX 12FJX45
12	1	426003628	400757	TUBE, RH APRON CLOSE, FS, 2411 / 2811
13	1	426003629	400756	TUBE, PUSH OFF EXTEND, FS, 2411+
14	1	426003630	400755	TUBE, RH APRON OPEN, FS, 2411 / 2811

SECTION 2.02

HYDRAULICS

2411-3413 TRAILING ARM, RIGHT, LIFT
(REAR/SINGLE)

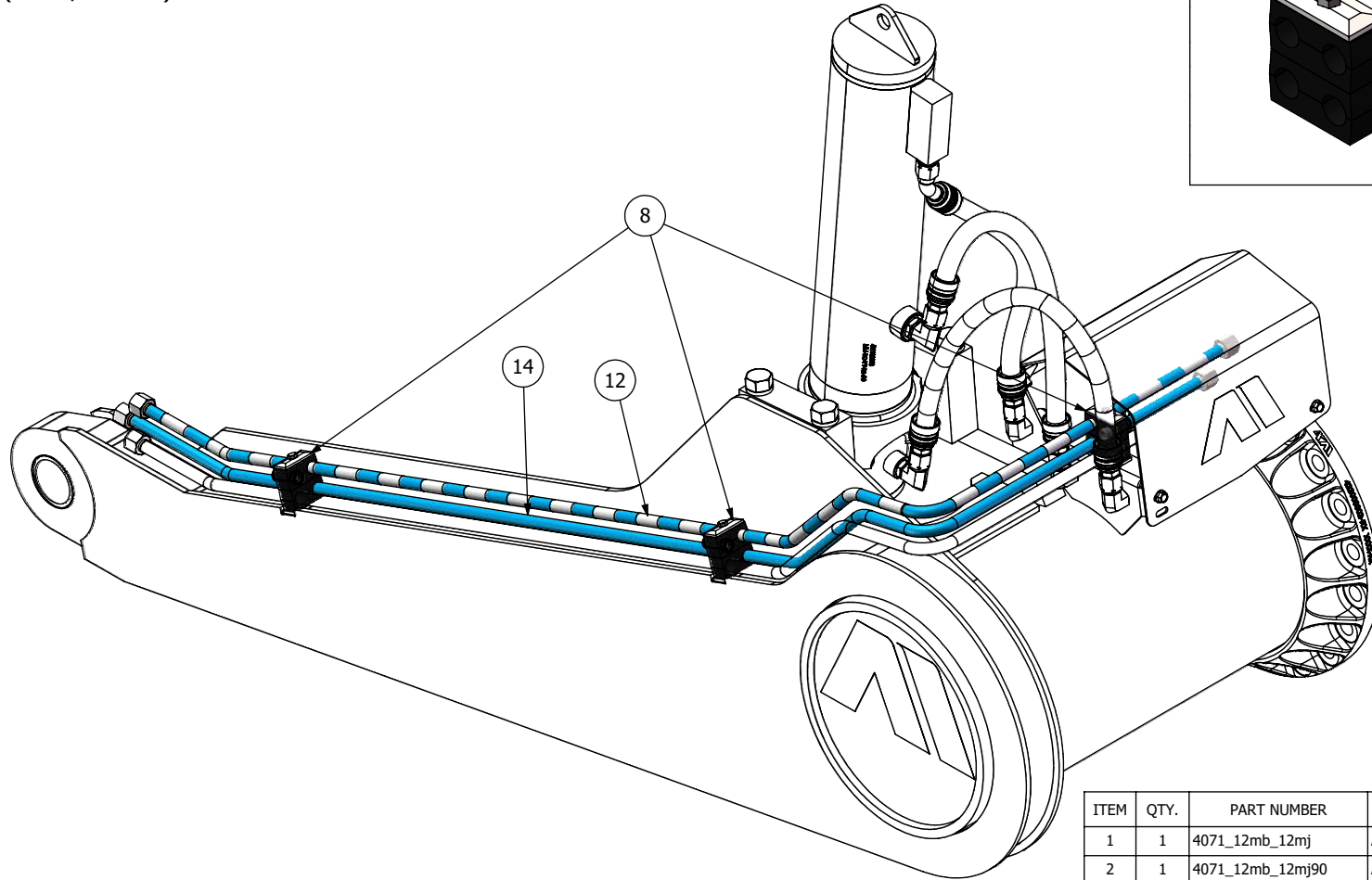


ITEM	QTY.	PART NUMBER	ALT. P.N.	DESCRIPTION
1	1	4071_12mb_12mj	AHA-00041	ADAPTER MORB-12 X MJIC-12
2	1	4071_12mb_12mj90	AHA-00044	3/4" MJIC X 3/4" ORB 90 DEG. ADAPTOR
3	3	4071_12mj_12mj90_BH	AHA-00128	BULKHEAD 90° MJIC-12 X MJIC-12
4	3	4071_12mj_BH nut	AHA-00099	BULKHEAD NUT JIC 3/4"
5	1	4071_16mb_12mj90	AHA-00136	ELBOW ADAPTER 90 DEG. MORB-12 X MJIC 16
6	2	4072_12_12fjx		CRIMP FITTING: 12 X 12 FJIC
7	3	4076_CS_0750		WIRE HARNESS PASS THROUGH
8	3	407610401	AHL-00022	DOUBLE STACK HARD LINE CLAMP ASSEMBLY (19 MM)
9	1	424207032		HOSE - 12_5_032.00E_12FJX 12FJX
10	1	424207033		HOSE - 12_5_27.5_12FJX 12FJX
11	1	424207034		HOSE - 12_5_24.14_12FJX 12FJX45
12	1	426003628	400757	TUBE, RH APRON CLOSE, FS, 2411 / 2811
13	1	426003629	400756	TUBE, PUSH OFF EXTEND, FS, 2411+
14	1	426003630	400755	TUBE, RH APRON OPEN, FS, 2411 / 2811

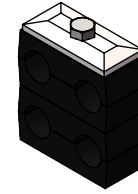
SECTION 2.02

HYDRAULICS

2411-3413 TRAILING ARM, RIGHT, APRON/GATE
(REAR/SINGLE)



KITS



407610401

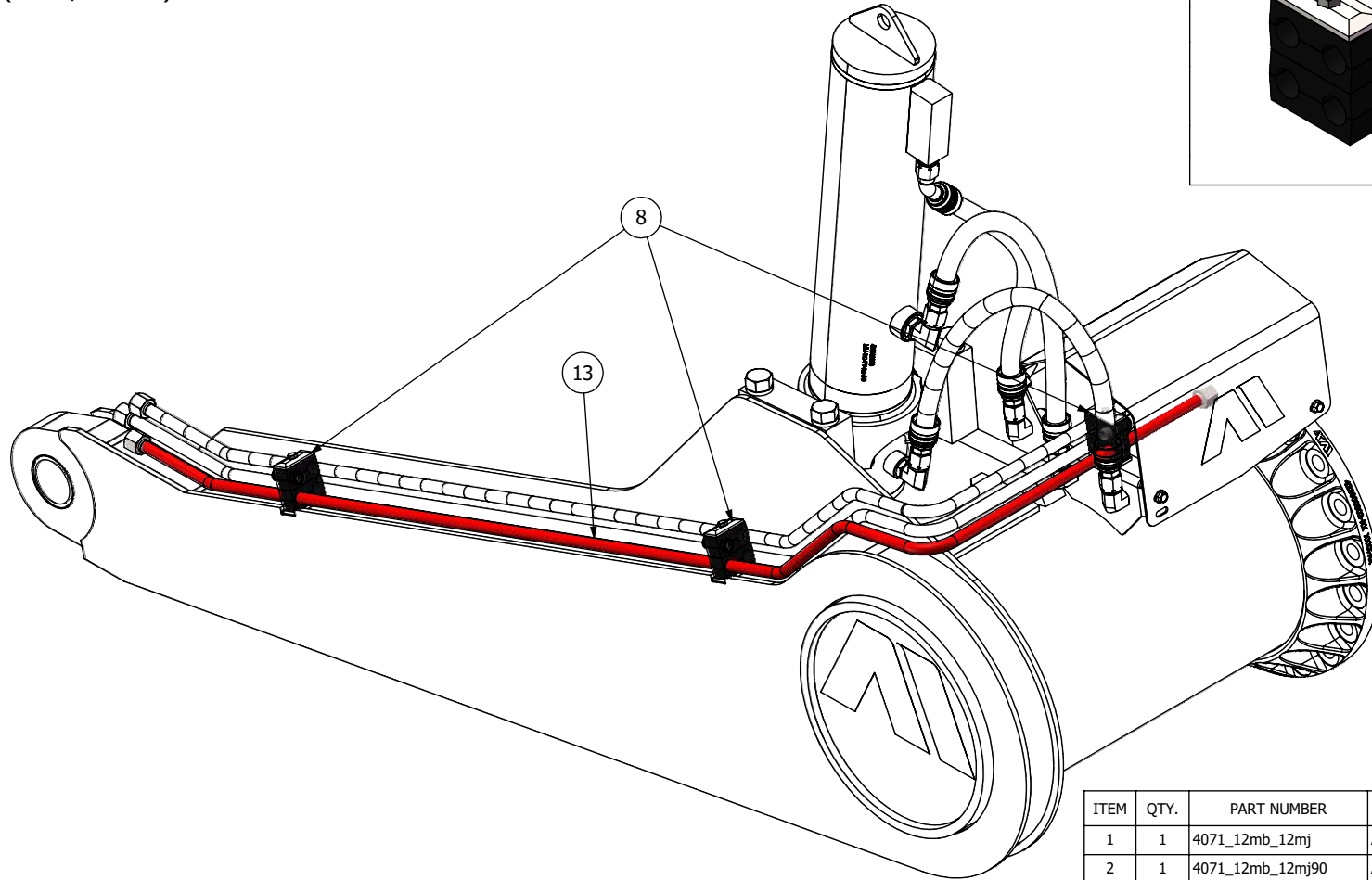
QTY	DESCRIPTION
1	Bolt Gr. 8 UNC 5/16" x 1-3/4"
4	Hose Clamp Half Twin 3D 19mm
1	Twin Clamp Safety Locking Plate 2-3D
1	Stacking Bolt 5/16-18 UNC
1	Pipe Clamps DIN 3015, Cover Plate 3D

ITEM	QTY.	PART NUMBER	ALT. P.N.	DESCRIPTION
1	1	4071_12mb_12mj	AHA-00041	ADAPTER MORB-12 X MJIC-12
2	1	4071_12mb_12mj90	AHA-00044	3/4" MJIC X 3/4" ORB 90 DEG. ADAPTOR
3	3	4071_12mj_12mj90_BH	AHA-00128	BULKHEAD 90° MJIC-12 X MJIC-12
4	3	4071_12mj_BH nut	AHA-00099	BULKHEAD NUT JIC 3/4"
5	1	4071_16mb_12mj90	AHA-00136	ELBOW ADAPTER 90 DEG. MORB-12 X MJIC 16
6	2	4072_12_12fjx		CRIMP FITTING: 12 X 12 FJIC
7	3	4076_CS_0750		WIRE HARNESS PASS THROUGH
8	3	407610401	AHL-00022	DOUBLE STACK HARD LINE CLAMP ASSEMBLY (19 MM)
9	1	424207032		HOSE - 12_5_032.00E_12FJX 12FJX
10	1	424207033		HOSE - 12_5_27.5_12FJX 12FJX
11	1	424207034		HOSE - 12_5_24.14_12FJX 12FJX45
12	1	426003628	400757	TUBE, RH APRON CLOSE, FS, 2411 / 2811
13	1	426003629	400756	TUBE, PUSH OFF EXTEND, FS, 2411+
14	1	426003630	400755	TUBE, RH APRON OPEN, FS, 2411 / 2811

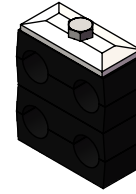
SECTION 2.02

HYDRAULICS

2411-3413 TRAILING ARM, RIGHT, CUSHION RIDE
(REAR/SINGLE)



KITS



407610401

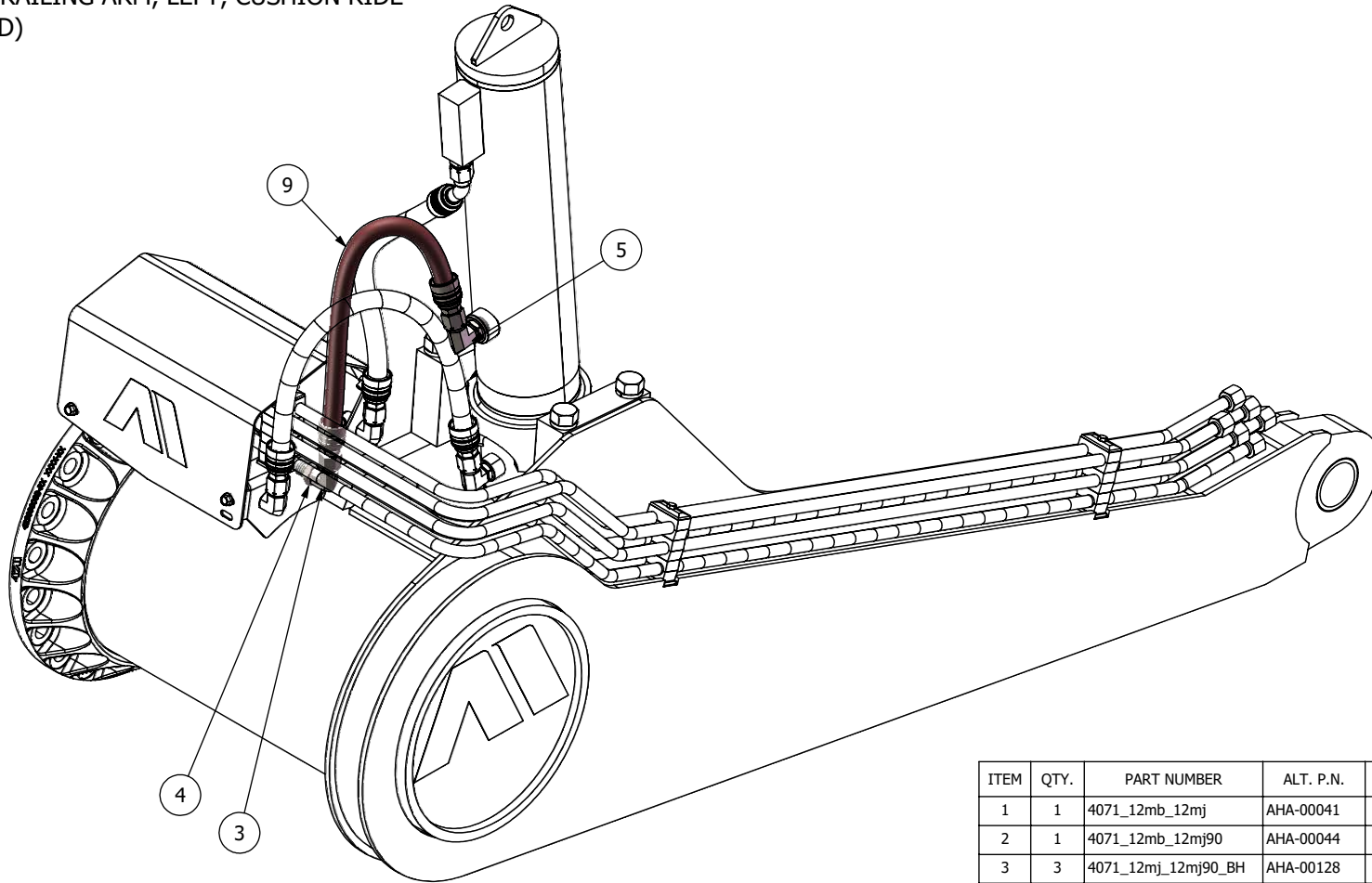
QTY	DESCRIPTION
1	Bolt Gr. 8 UNC 5/16" x 1-3/4"
4	Hose Clamp Half Twin 3D 19mm
1	Twin Clamp Safety Locking Plate 2-3D
1	Stacking Bolt 5/16-18 UNC
1	Pipe Clamps DIN 3015, Cover Plate 3D

ITEM	QTY.	PART NUMBER	ALT. P.N.	DESCRIPTION
1	1	4071_12mb_12mj	AHA-00041	ADAPTER MORB-12 X MJIC-12
2	1	4071_12mb_12mj90	AHA-00044	3/4" MJIC X 3/4" ORB 90 DEG. ADAPTOR
3	3	4071_12mj_12mj90_BH	AHA-00128	BULKHEAD 90° MJIC-12 X MJIC-12
4	3	4071_12mj_BH nut	AHA-00099	BULKHEAD NUT JIC 3/4"
5	1	4071_16mb_12mj90	AHA-00136	ELBOW ADAPTER 90 DEG. MORB-12 X MJIC 16
6	2	4072_12_12fjx		CRIMP FITTING: 12 X 12 FJIC
7	3	4076_CS_0750		WIRE HARNESS PASS THROUGH
8	3	407610401	AHL-00022	DOUBLE STACK HARD LINE CLAMP ASSEMBLY (19 MM)
9	1	424207032		HOSE - 12_5_032.00E_12FJX 12FJX
10	1	424207033		HOSE - 12_5_27.5_12FJX 12FJX
11	1	424207034		HOSE - 12_5_24.14_12FJX 12FJX45
12	1	426003628	400757	TUBE, RH APRON CLOSE, FS, 2411 / 2811
13	1	426003629	400756	TUBE, PUSH OFF EXTEND, FS, 2411+
14	1	426003630	400755	TUBE, RH APRON OPEN, FS, 2411 / 2811

SECTION 2.02

HYDRAULICS

2411/2811 TRAILING ARM, LEFT, CUSHION RIDE
(FRONT/LEAD)

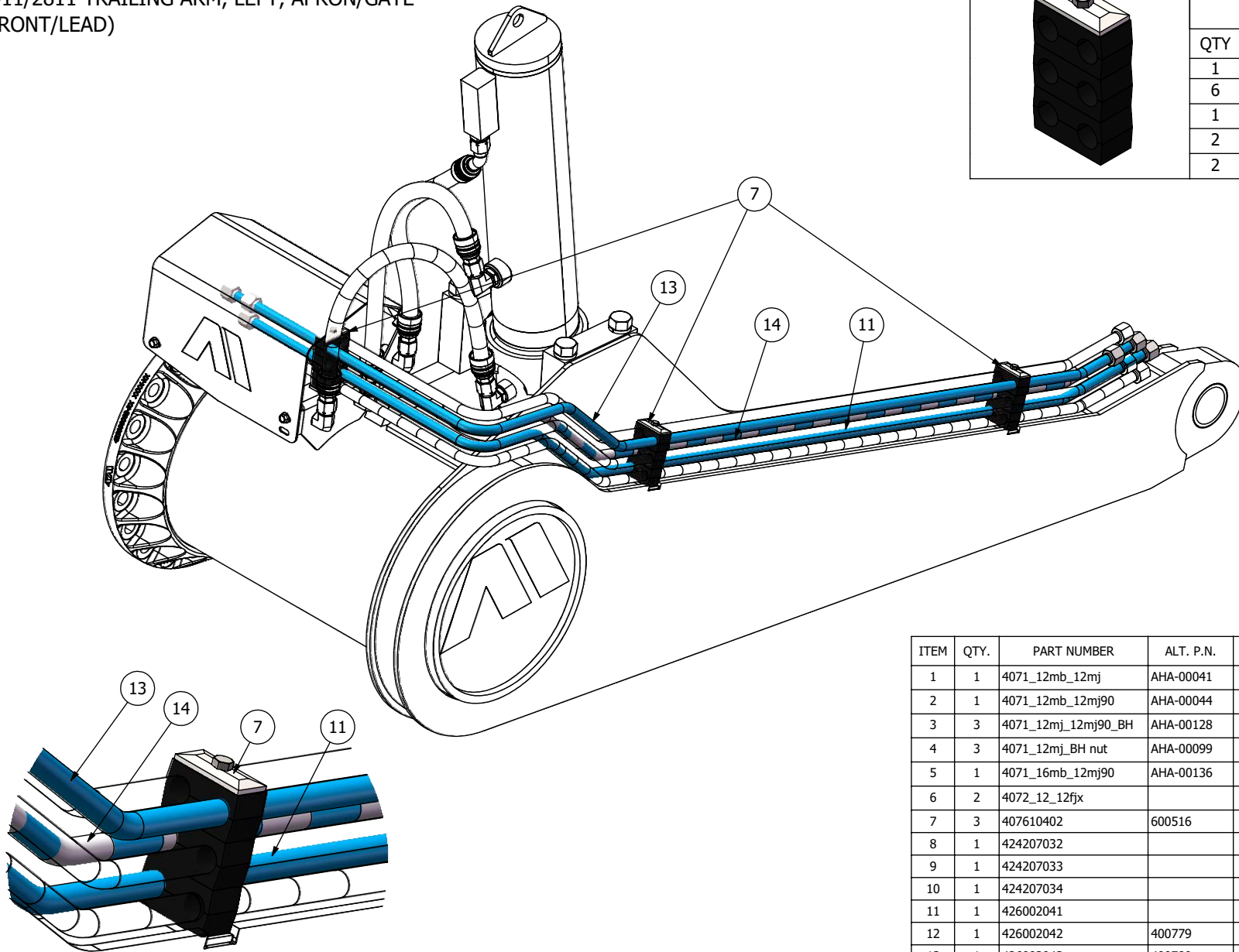


ITEM	QTY.	PART NUMBER	ALT. P.N.	DESCRIPTION
1	1	4071_12mb_12mj	AHA-00041	ADAPTER MORB-12 X MJIC-12
2	1	4071_12mb_12mj90	AHA-00044	3/4" MJIC X 3/4" ORB 90 DEG. ADAPTOR
3	3	4071_12mj_12mj90_BH	AHA-00128	BULKHEAD 90° MJIC-12 X MJIC-12
4	3	4071_12mj_BH nut	AHA-00099	BULKHEAD NUT JIC 3/4"
5	1	4071_16mb_12mj90	AHA-00136	ELBOW ADAPTER 90 DEG. MORB-12 X MJIC 16
6	2	4072_12_12fjx		CRIMP FITTING: 12 X 12 FJIC
7	3	407610402	600516	TRIPLE STACK CLAMP ASSEMBLY (19 MM)
8	1	424207032		HOSE - 12_5_032.00E_12FJX 12FJX
9	1	424207033		HOSE - 12_5_27.5_12FJX 12FJX
10	1	424207034		HOSE - 12_5_24.14_12FJX 12FJX45
11	1	426002041		TUIBE, REAR PUSH OFF EXTEND, FS, 2411 / 2811
12	1	426002042	400779	TUBE, TOP INNER, FS, 2411+
13	1	426002043	400780	TUBE, TOP OUTER, FS, 2411+
14	1	426003631	400748	TUBE, MIDDLE INNER, FS, 2411+
15	1	426003632	400747	TUBE, LH APRON OPEN, FS, 2411+
16	1	426003633	400746	TUBE, PUSH OFF RETRACT, FS, 2411+

SECTION 2.02

HYDRAULICS

2411/2811 TRAILING ARM, LEFT, APRON/GATE
(FRONT/LEAD)



KITS

407610402

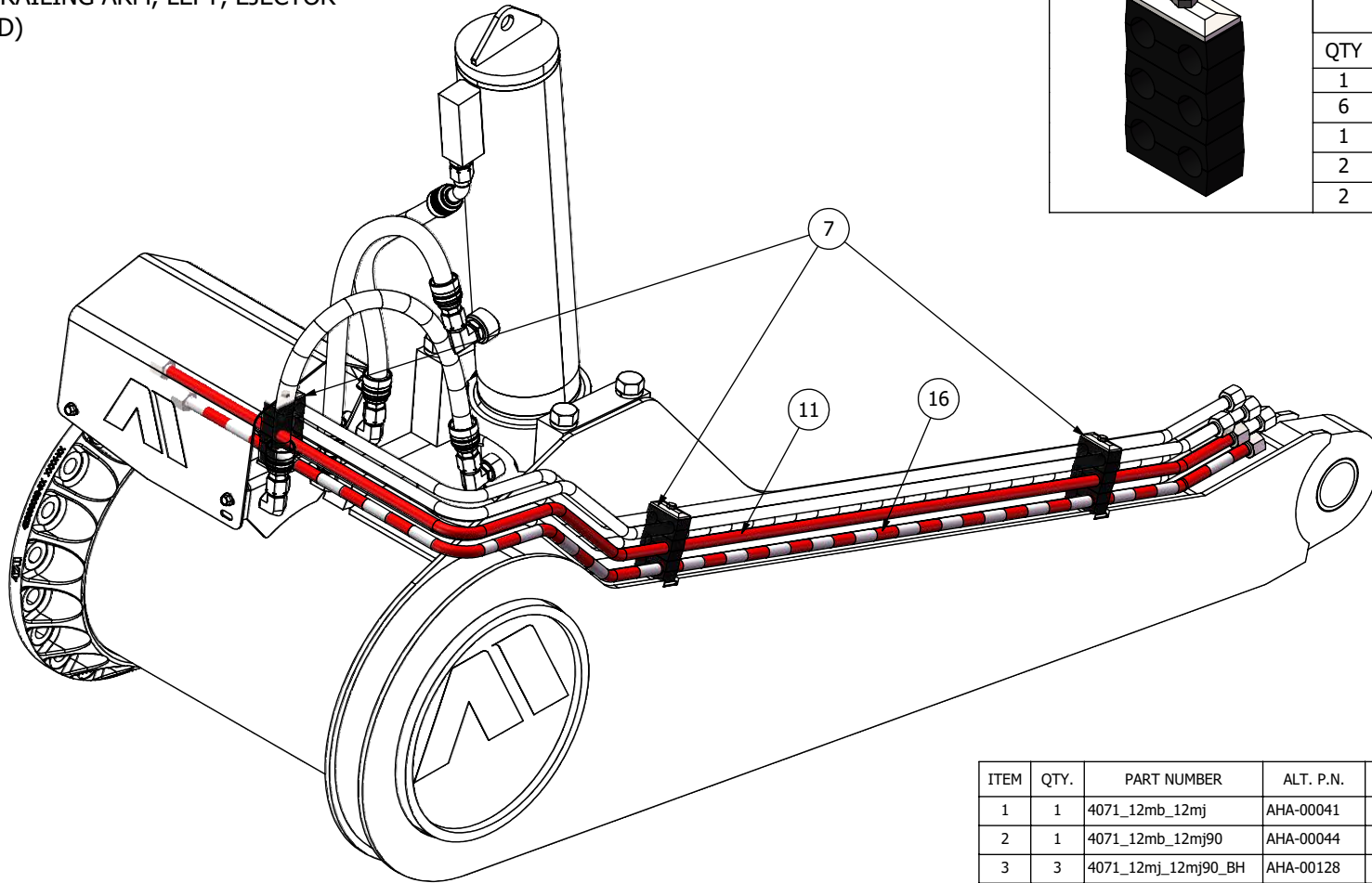
QTY	DESCRIPTION
1	Bolt Gr. 8 UNC 5/16" x 1-3/4"
6	Hose Clamp Half Twin 3D 19mm
1	Twin Clamp Safety Locking Plate 2-3D
2	Stacking Bolt 5/16-18 UNC
2	Pipe Clamps DIN 3015, Cover Plate 3D

ITEM	QTY.	PART NUMBER	ALT. P.N.	DESCRIPTION
1	1	4071_12mb_12mj	AHA-00041	ADAPTER MORB-12 X MJIC-12
2	1	4071_12mb_12mj90	AHA-00044	3/4" MJIC X 3/4" ORB 90 DEG. ADAPTOR
3	3	4071_12mj_12mj90_BH	AHA-00128	BULKHEAD 90° MJIC-12 X MJIC-12
4	3	4071_12mj_BH nut	AHA-00099	BULKHEAD NUT JIC 3/4"
5	1	4071_16mb_12mj90	AHA-00136	ELBOW ADAPTER 90 DEG. MORB-12 X MJIC 16
6	2	4072_12_12fjx		CRIMP FITTING: 12 X 12 FJIC
7	3	407610402	600516	TRIPLE STACK CLAMP ASSEMBLY (19 MM)
8	1	424207032		HOSE - 12_5_032.00E_12FJX 12FJX
9	1	424207033		HOSE - 12_5_27.5_12FJX 12FJX
10	1	424207034		HOSE - 12_5_24.14_12FJX 12FJX45
11	1	426002041		TUIBE, REAR PUSH OFF EXTEND, FS, 2411 / 2811
12	1	426002042	400779	TUBE, TOP INNER, FS, 2411+
13	1	426002043	400780	TUBE, TOP OUTER, FS, 2411+
14	1	426003631	400748	TUBE, MIDDLE INNER, FS, 2411+
15	1	426003632	400747	TUBE, LH APRON OPEN, FS, 2411+
16	1	426003633	400746	TUBE, PUSH OFF RETRACT, FS, 2411+

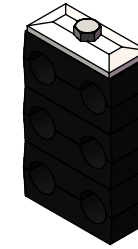
SECTION 2.02

HYDRAULICS

2411/2811 TRAILING ARM, LEFT, EJECTOR
(FRONT/LEAD)



KITS



407610402

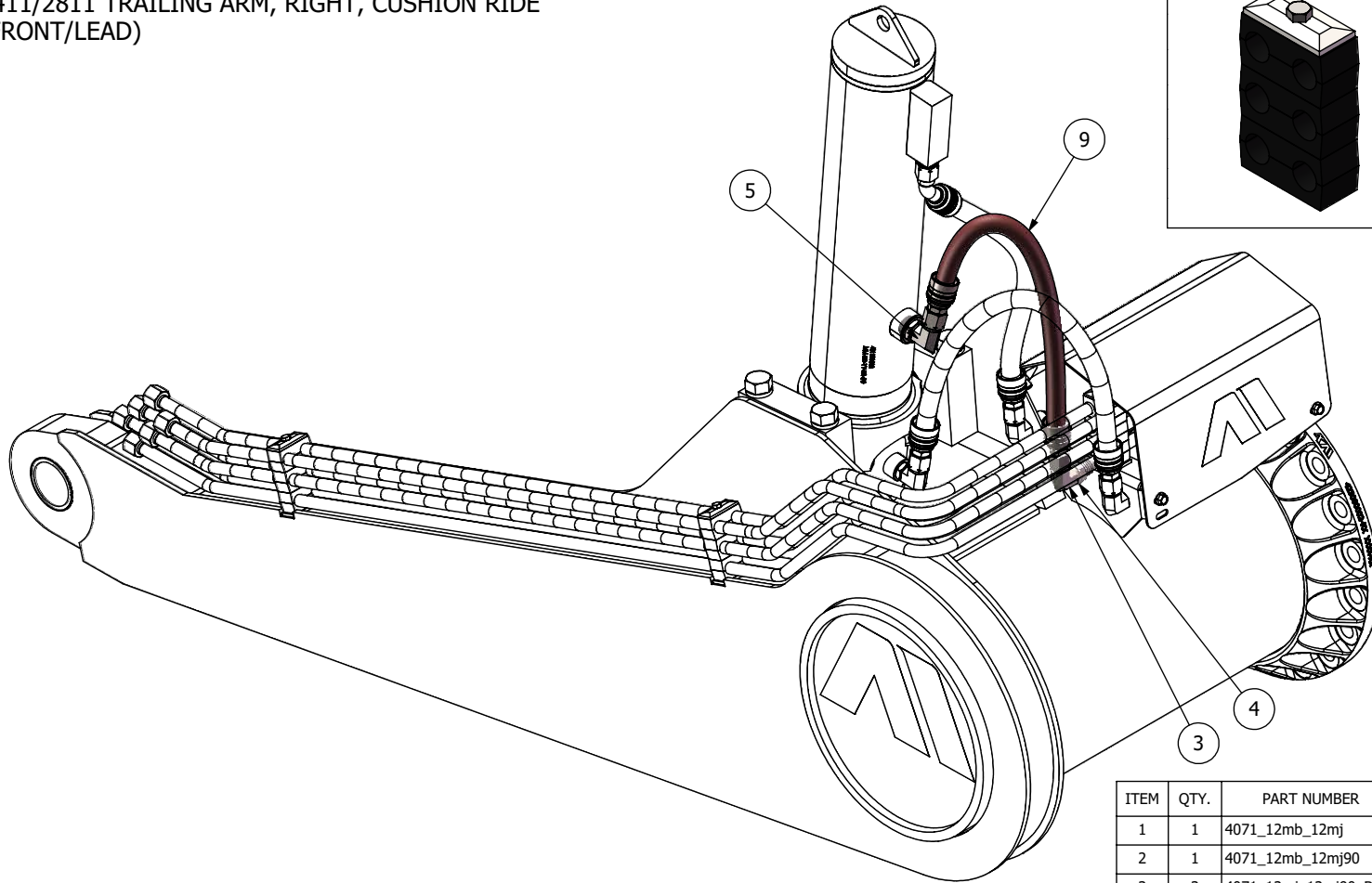
QTY	DESCRIPTION
1	Bolt Gr. 8 UNC 5/16" x 1-3/4"
6	Hose Clamp Half Twin 3D 19mm
1	Twin Clamp Safety Locking Plate 2-3D
2	Stacking Bolt 5/16-18 UNC
2	Pipe Clamps DIN 3015, Cover Plate 3D

ITEM	QTY.	PART NUMBER	ALT. P.N.	DESCRIPTION
1	1	4071_12mb_12mj	AHA-00041	ADAPTER MORB-12 X MJIC-12
2	1	4071_12mb_12mj90	AHA-00044	3/4" MJIC X 3/4" ORB 90 DEG. ADAPTOR
3	3	4071_12mj_12mj90_BH	AHA-00128	BULKHEAD 90° MJIC-12 X MJIC-12
4	3	4071_12mj_BH nut	AHA-00099	BULKHEAD NUT JIC 3/4"
5	1	4071_16mb_12mj90	AHA-00136	ELBOW ADAPTER 90 DEG. MORB-12 X MJIC 16
6	2	4072_12_12fjx		CRIMP FITTING: 12 X 12 FJIC
7	3	407610402	600516	TRIPLE STACK CLAMP ASSEMBLY (19 MM)
8	1	424207032		HOSE - 12_5_032.00E_12FJX 12FJX
9	1	424207033		HOSE - 12_5_27.5_12FJX 12FJX
10	1	424207034		HOSE - 12_5_24.14_12FJX 12FJX45
11	1	426002041		TUIBE, REAR PUSH OFF EXTEND, FS, 2411 / 2811
12	1	426002042	400779	TUBE, TOP INNER, FS, 2411+
13	1	426002043	400780	TUBE, TOP OUTER, FS, 2411+
14	1	426003631	400748	TUBE, MIDDLE INNER, FS, 2411+
15	1	426003632	400747	TUBE, LH APRON OPEN, FS, 2411+
16	1	426003633	400746	TUBE, PUSH OFF RETRACT, FS, 2411+

SECTION 2.02

HYDRAULICS

2411/2811 TRAILING ARM, RIGHT, CUSHION RIDE
(FRONT/LEAD)



KITS

407610401

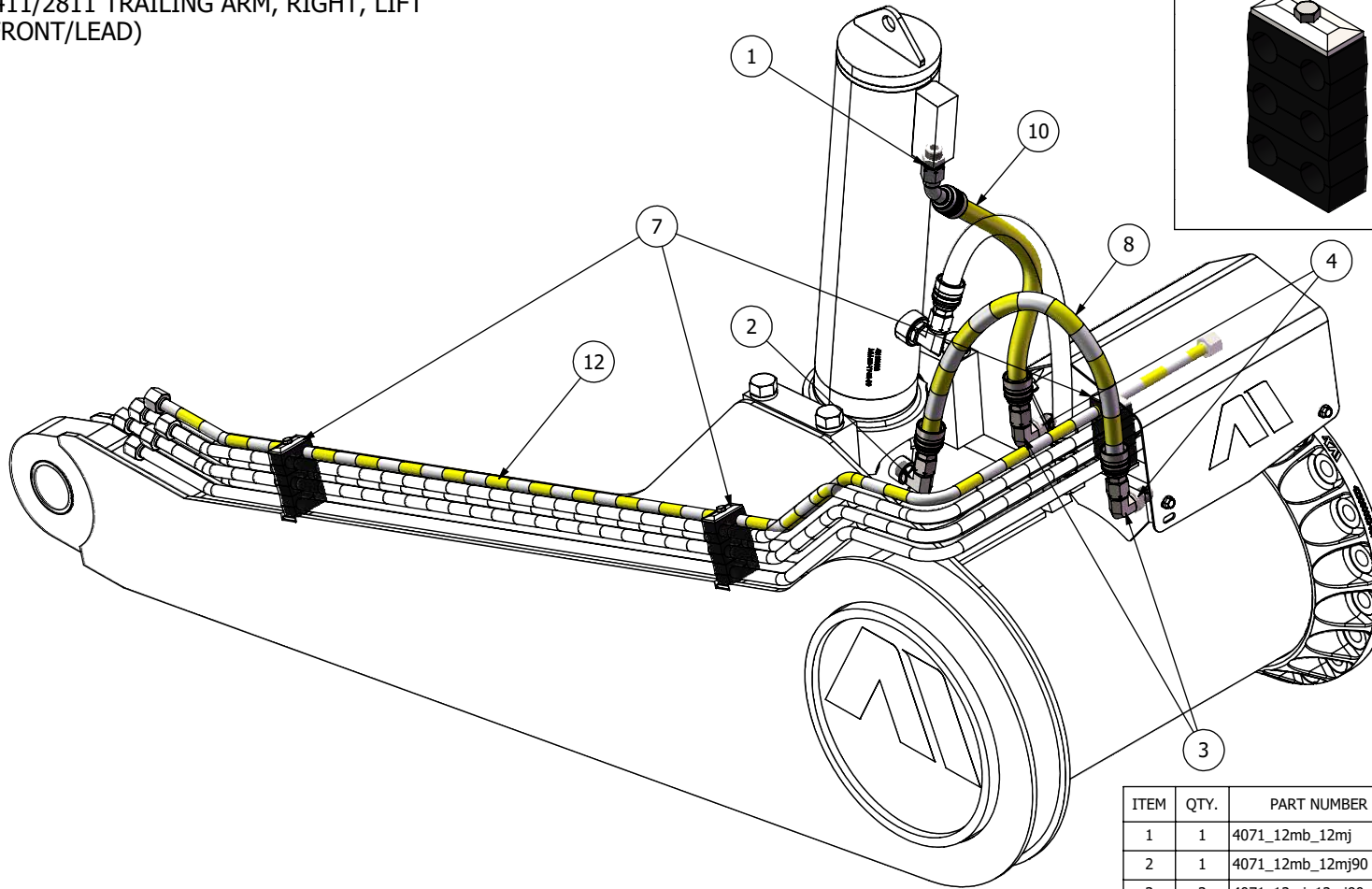
QTY	DESCRIPTION
1	Bolt Gr. 8 UNC 5/16" x 1-3/4"
4	Hose Clamp Half Twin 3D 19mm
1	Twin Clamp Safety Locking Plate 2-3D
1	Stacking Bolt 5/16-18 UNC
1	Pipe Clamps DIN 3015, Cover Plate 3D

ITEM	QTY.	PART NUMBER	ALT. P.N.	DESCRIPTION
1	1	4071_12mb_12mj	AHA-00041	ADAPTER MORB-12 X MJIC-12
2	1	4071_12mb_12mj90	AHA-00044	3/4" MJIC X 3/4" ORB 90 DEG. ADAPTOR
3	3	4071_12mj_12mj90_BH	AHA-00128	BULKHEAD 90° MJIC-12 X MJIC-12
4	3	4071_12mj_BH nut	AHA-00099	BULKHEAD NUT JIC 3/4"
5	1	4071_16mb_12mj90	AHA-00136	ELBOW ADAPTER 90 DEG. MORB-12 X MJIC 16
6	2	4072_12_12fjx		CRIMP FITTING: 12 X 12 FJIC
7	3	407610402	600516	TRIPLE STACK CLAMP ASSEMBLY (19 MM)
8	1	424207032		HOSE - 12_5_032.00E_12FJX 12FJX
9	1	424207033		HOSE - 12_5_27.5_12FJX 12FJX
10	1	424207034		HOSE - 12_5_24.14_12FJX 12FJX45
11	1	426002038		TUBE, RH REAR APRON OPEN, 2411 / 2811
12	1	426002039		TUBE, REAR LIFT UP, FS, 2411 / 2811
13	1	426002040		TUBE, REAR APRON OPEN, FS, 2411 / 2811
14	1	426003628	400757	TUBE, RH APRON CLOSE, FS, 2411 / 2811
15	1	426003629	400756	TUBE, PUSH OFF EXTEND, FS, 2411+
16	1	426003630	400755	TUBE, RH APRON OPEN, FS, 2411 / 2811

SECTION 2.02

HYDRAULICS

2411/2811 TRAILING ARM, RIGHT, LIFT
(FRONT/LEAD)



KITS

407610401

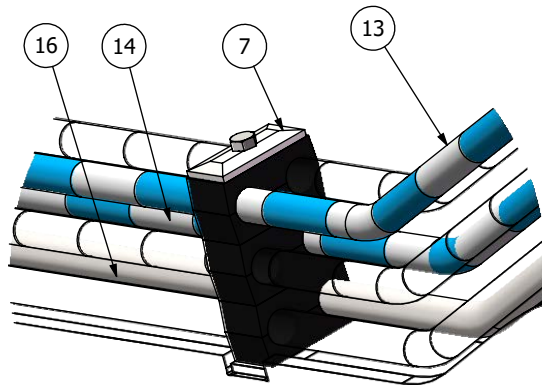
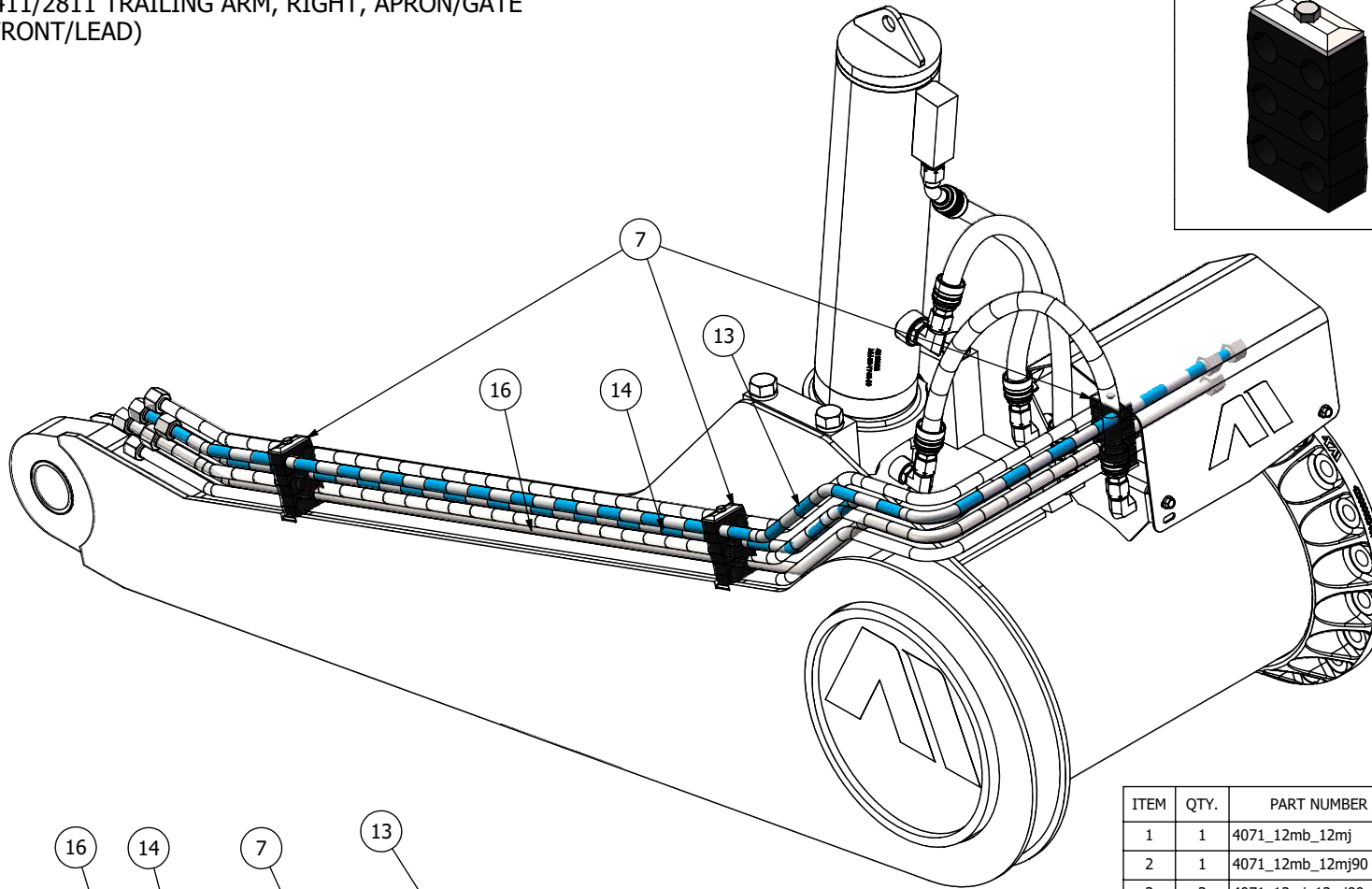
QTY	DESCRIPTION
1	Bolt Gr. 8 UNC 5/16" x 1-3/4"
4	Hose Clamp Half Twin 3D 19mm
1	Twin Clamp Safety Locking Plate 2-3D
1	Stacking Bolt 5/16-18 UNC
1	Pipe Clamps DIN 3015, Cover Plate 3D

ITEM	QTY.	PART NUMBER	ALT. P.N.	DESCRIPTION
1	1	4071_12mb_12mj	AHA-00041	ADAPTER MORB-12 X MJIC-12
2	1	4071_12mb_12mj90	AHA-00044	3/4" MJIC X 3/4" ORB 90 DEG. ADAPTOR
3	3	4071_12mj_12mj90_BH	AHA-00128	BULKHEAD 90° MJIC-12 X MJIC-12
4	3	4071_12mj_BH nut	AHA-00099	BULKHEAD NUT JIC 3/4"
5	1	4071_16mb_12mj90	AHA-00136	ELBOW ADAPTER 90 DEG. MORB-12 X MJIC 16
6	2	4072_12_12fjx		CRIMP FITTING: 12 X 12 FJIC
7	3	407610402	600516	TRIPLE STACK CLAMP ASSEMBLY (19 MM)
8	1	424207032		HOSE - 12_5_032.00E_12FJX 12FJX
9	1	424207033		HOSE - 12_5_27.5_12FJX 12FJX
10	1	424207034		HOSE - 12_5_24.14_12FJX 12FJX45
11	1	426002038		TUBE, RH REAR APRON OPEN, 2411 / 2811
12	1	426002039		TUBE, REAR LIFT UP, FS, 2411 / 2811
13	1	426002040		TUBE, REAR APRON OPEN, FS, 2411 / 2811
14	1	426003628	400757	TUBE, RH APRON CLOSE, FS, 2411 / 2811
15	1	426003629	400756	TUBE, PUSH OFF EXTEND, FS, 2411+
16	1	426003630	400755	TUBE, RH APRON OPEN, FS, 2411 / 2811

SECTION 2.02

HYDRAULICS

2411/2811 TRAILING ARM, RIGHT, APRON/GATE
(FRONT/LEAD)



KITS

407610401

QTY	DESCRIPTION
1	Bolt Gr. 8 UNC 5/16" x 1-3/4"
4	Hose Clamp Half Twin 3D 19mm
1	Twin Clamp Safety Locking Plate 2-3D
1	Stacking Bolt 5/16-18 UNC
1	Pipe Clamps DIN 3015, Cover Plate 3D

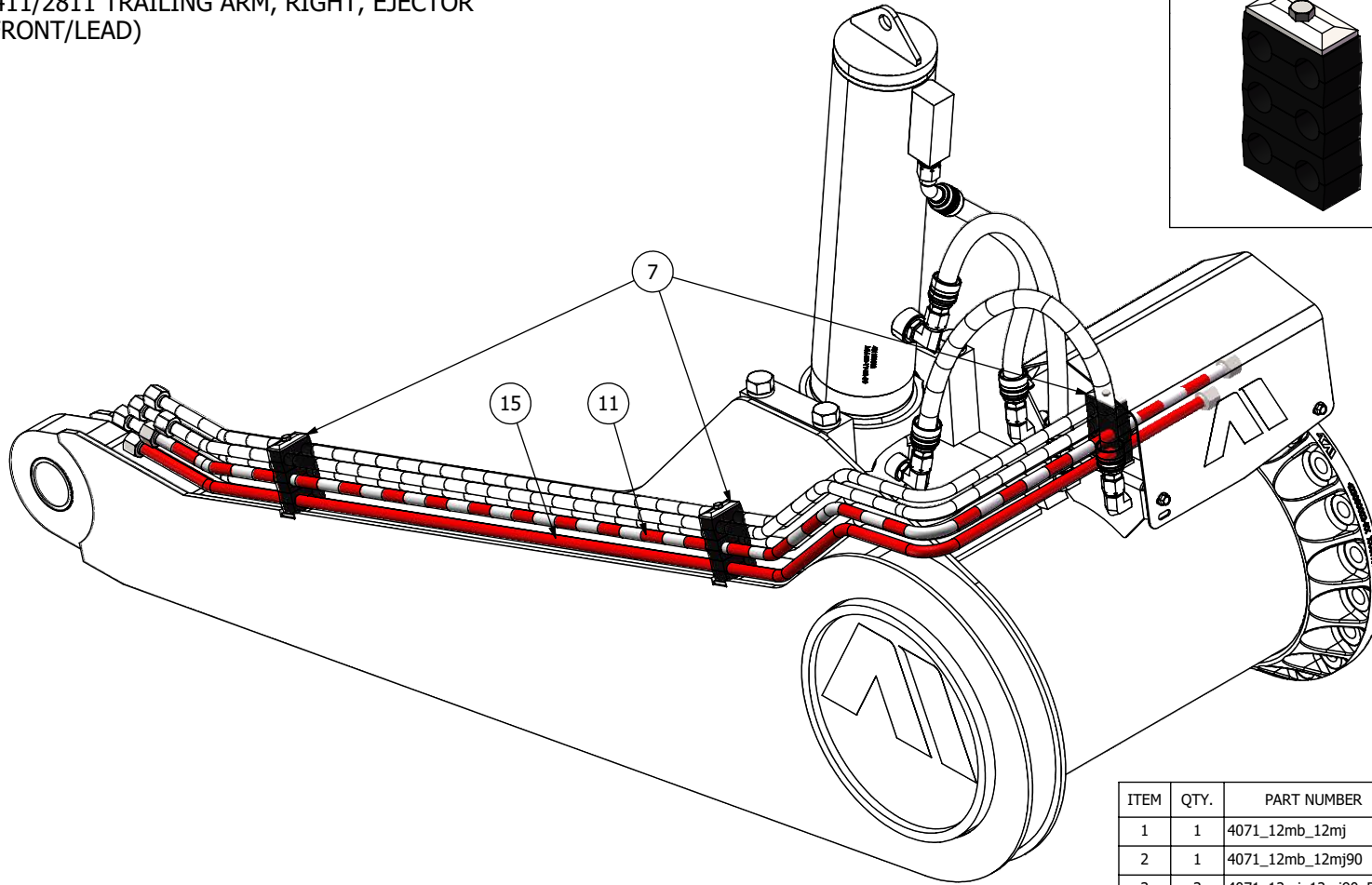


ITEM	QTY.	PART NUMBER	ALT. P.N.	DESCRIPTION
1	1	4071_12mb_12mj	AHA-00041	ADAPTER MORB-12 X MJIC-12
2	1	4071_12mb_12mj90	AHA-00044	3/4" MJIC X 3/4" ORB 90 DEG. ADAPTOR
3	3	4071_12mj_12mj90_BH	AHA-00128	BULKHEAD 90° MJIC-12 X MJIC-12
4	3	4071_12mj_BH nut	AHA-00099	BULKHEAD NUT JIC 3/4"
5	1	4071_16mb_12mj90	AHA-00136	ELBOW ADAPTER 90 DEG. MORB-12 X MJIC 16
6	2	4072_12_12fjx		CRIMP FITTING: 12 X 12 FJIC
7	3	407610402	600516	TRIPLE STACK CLAMP ASSEMBLY (19 MM)
8	1	424207032		HOSE - 12_5_032.00E_12FJX 12FJX
9	1	424207033		HOSE - 12_5_27.5_12FJX 12FJX
10	1	424207034		HOSE - 12_5_24.14_12FJX 12FJX45
11	1	426002038		TUBE, RH REAR APRON OPEN, 2411 / 2811
12	1	426002039		TUBE, REAR LIFT UP, FS, 2411 / 2811
13	1	426002040		TUBE, REAR APRON OPEN, FS, 2411 / 2811
14	1	426003628	400757	TUBE, RH APRON CLOSE, FS, 2411 / 2811
15	1	426003629	400756	TUBE, PUSH OFF EXTEND, FS, 2411+
16	1	426003630	400755	TUBE, RH APRON OPEN, FS, 2411 / 2811

SECTION 2.02

HYDRAULICS

2411/2811 TRAILING ARM, RIGHT, EJECTOR
(FRONT/LEAD)



KITS



407610401

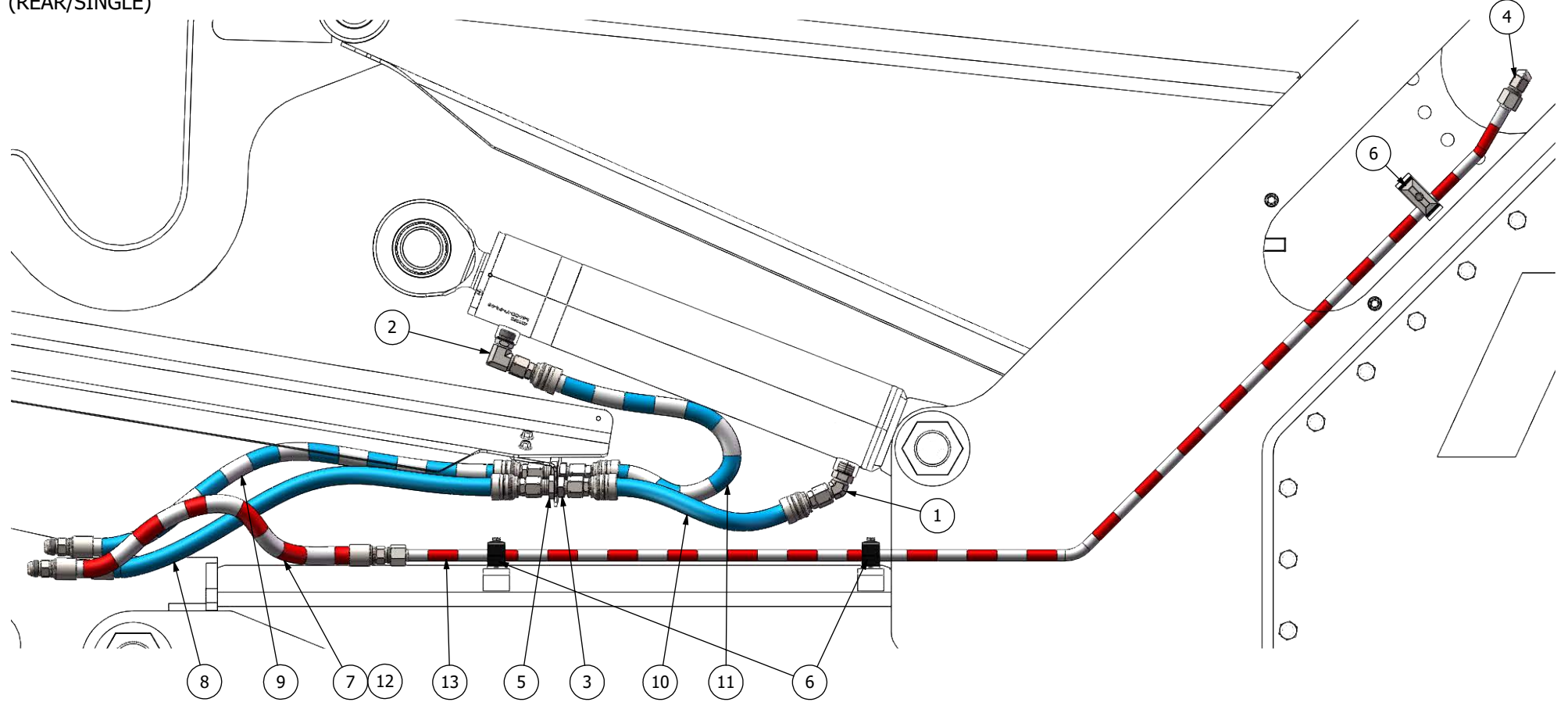
QTY	DESCRIPTION
1	Bolt Gr. 8 UNC 5/16" x 1-3/4"
4	Hose Clamp Half Twin 3D 19mm
1	Twin Clamp Safety Locking Plate 2-3D
1	Stacking Bolt 5/16-18 UNC
1	Pipe Clamps DIN 3015, Cover Plate 3D

ITEM	QTY.	PART NUMBER	ALT. P.N.	DESCRIPTION
1	1	4071_12mb_12mj	AHA-00041	ADAPTER MORB-12 X MJIC-12
2	1	4071_12mb_12mj90	AHA-00044	3/4" MJIC X 3/4" ORB 90 DEG. ADAPTOR
3	3	4071_12mj_12mj90_BH	AHA-00128	BULKHEAD 90° MJIC-12 X MJIC-12
4	3	4071_12mj_BH nut	AHA-00099	BULKHEAD NUT JIC 3/4"
5	1	4071_16mb_12mj90	AHA-00136	ELBOW ADAPTER 90 DEG. MORB-12 X MJIC 16
6	2	4072_12_12fjx		CRIMP FITTING: 12 X 12 FJIC
7	3	407610402	600516	TRIPLE STACK CLAMP ASSEMBLY (19 MM)
8	1	424207032		HOSE - 12_5_032.00E_12FJX 12FJX
9	1	424207033		HOSE - 12_5_27.5_12FJX 12FJX
10	1	424207034		HOSE - 12_5_24.14_12FJX 12FJX45
11	1	426002038		TUBE, RH REAR APRON OPEN, 2411 / 2811
12	1	426002039		TUBE, REAR LIFT UP, FS, 2411 / 2811
13	1	426002040		TUBE, REAR APRON OPEN, FS, 2411 / 2811
14	1	426003628	400757	TUBE, RH APRON CLOSE, FS, 2411 / 2811
15	1	426003629	400756	TUBE, PUSH OFF EXTEND, FS, 2411+
16	1	426003630	400755	TUBE, RH APRON OPEN, FS, 2411 / 2811

SECTION 2.03

HYDRAULICS

2411-3413 SIDE WALL, LEFT
(REAR/SINGLE)



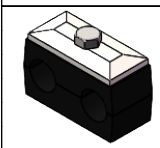
COMMON HYDRAULIC COMPONENTS

ITEM	QTY.	PART NUMBER	ALT. P.N.	DESCRIPTION
1	1	4071_12mb_12mj45	AHA-00127	ELBOW ADAPTER 45 DEG MORB-12 X MJIC-12
2	1	4071_12mb_12mj90	AHA-00044	3/4" MJIC X 3/4" ORB 90 DEG. ADAPTOR
3	2	4071_12mj_12mj_BH	AHA-00096	BULKHEAD MJIC-12 X MJIC-12
4	1	4071_12mj_12mj90	AHA-00019	ADAPTER 90° MJIC-12 X MJIC-12
5	2	4071_12mj_BH nut	AHA-00099	BULKHEAD NUT JIC 3/4"
6	3	407610400	AHL-00002	SINGLE STACK HARD LINE CLAMP ASSEMBLY (19MM)
8	1	424204432		HOSE - 12_5_033.00E_12MJ 12FJX
9	1	424204433		HOSE - 12_5_035.00E_12MJ 12FJX
10	1	424204434		HOSE - 12_5_019.00E_12FJX 12FJX
11	1	424204435		HOSE - 12_5_029.50E_12FJX 12FJX
13	1	426003604	400725	REAR PUSH OFF HARD LINE ASSEMBLY, BOWL, 2411+

ITEM		QTY.	PART NUMBER	DESCRIPTION
7	1	424204407	HOSE - 12_5_028.00E_12MJ_12MJ	
ITEM		QTY.	PART NUMBER	DESCRIPTION
12	1	424207035	HOSE - 12_5_040.50E_12MJ 12MJ	

KITS

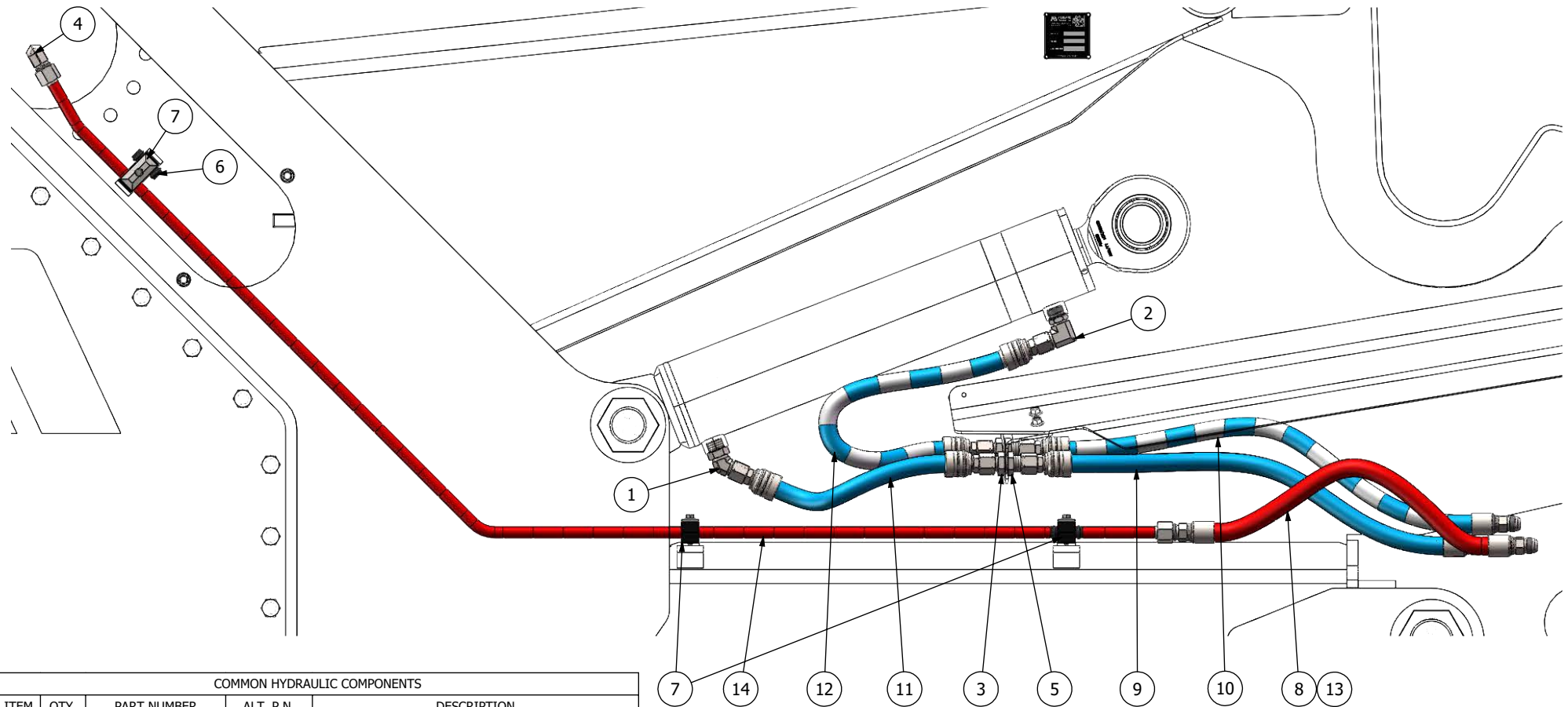
QTY		DESCRIPTION
407610400		
1	Bolt Gr. 8 UNC 5/16" x 1-3/4"	
2	Hose Clamp Half Twin 3D 19 mm	
1	Pipe Clamps Twin Series, Cover Plate	



SECTION 2.03

HYDRAULICS

2411-3413 SIDE WALL, RIGHT
(REAR/SINGLE)



COMMON HYDRAULIC COMPONENTS

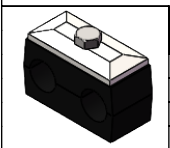
ITEM	QTY.	PART NUMBER	ALT. P.N.	DESCRIPTION
1	1	4071_12mb_12mj45	AHA-00127	ELBOW ADAPTER 45 DEG MORB-12 X MJIC-12
2	1	4071_12mb_12mj90	AHA-00044	3/4" MJIC X 3/4" ORB 90 DEG. ADAPTOR
3	2	4071_12mj_12mj_BH	AHA-00096	BULKHEAD MJIC-12 X MJIC-12
4	1	4071_12mj_12mj90	AHA-00019	ADAPTER 90° MJIC-12 X MJIC-12
5	2	4071_12mj_BH nut	AHA-00099	BULKHEAD NUT JIC 3/4"
6	2	4076_CS_0750		WIRE HARNESS PASS THROUGH
7	3	407610400	AHL-00002	SINGLE STACK HARD LINE CLAMP ASSEMBLY (19MM)
9	1	424204432		HOSE - 12_5_033.00E_12MJ 12FJX
10	1	424204433		HOSE - 12_5_035.00E_12MJ 12FJX
11	1	424204434		HOSE - 12_5_019.00E_12FJX 12FJX
12	1	424204435		HOSE - 12_5_029.50E_12FJX 12FJX
14	1	426003604	400725	REAR PUSH OFF HARD LINE ASSEMBLY, BOWL, 2411+

2411/3013 HYDRAULIC COMPONENTS

ITEM	QTY.	PART NUMBER	DESCRIPTION
8	1	424204407	HOSE - 12_5_028.00E_12MJ_12MJ
2811/3413 HYDRAULIC COMPONENTS			
ITEM	QTY.	PART NUMBER	DESCRIPTION
13	1	424207035	HOSE - 12_5_040.50E_12MJ 12MJ

KITS

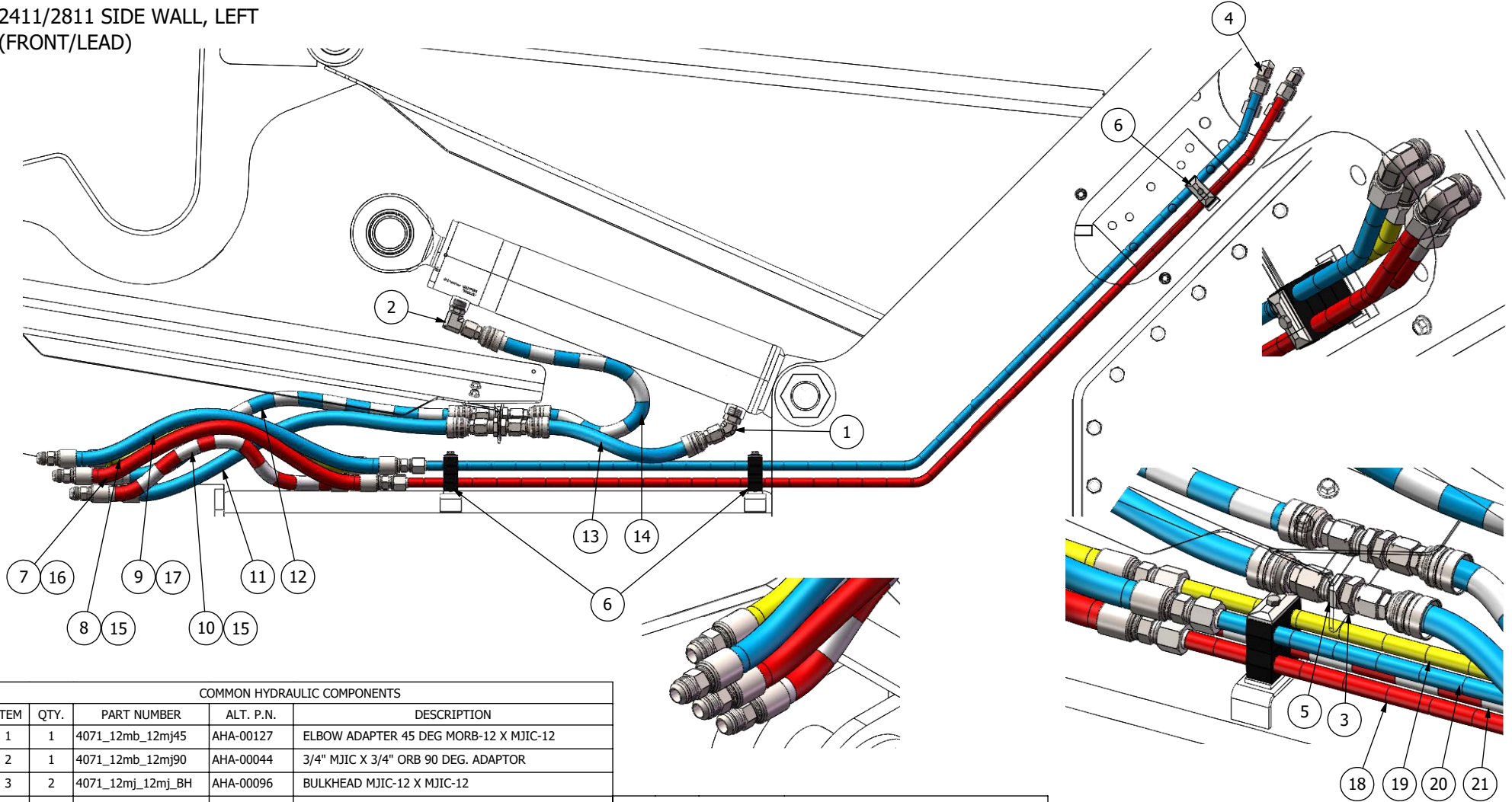
407610400	
QTY	DESCRIPTION
1	Bolt Gr. 8 UNC 5/16" x 1-3/4"
2	Hose Clamp Half Twin 3D 19 mm
1	Pipe Clamps Twin Series, Cover Plate



SECTION 2.03

HYDRAULICS

2411/2811 SIDE WALL, LEFT
(FRONT/LEAD)

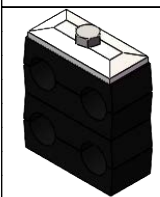


COMMON HYDRAULIC COMPONENTS				
ITEM	QTY.	PART NUMBER	ALT. P.N.	DESCRIPTION
1	1	4071_12mb_12mj45	AHA-00127	ELBOW ADAPTER 45 DEG MORB-12 X MJIC-12
2	1	4071_12mb_12mj90	AHA-00044	3/4" MJIC X 3/4" ORB 90 DEG. ADAPTOR
3	2	4071_12mj_12mj_BH	AHA-00096	BULKHEAD MJIC-12 X MJIC-12
4	4	4071_12mj_12mj90	AHA-00019	ADAPTER 90° MJIC-12 X MJIC-12
5	2	4071_12mj_BH nut	AHA-00099	BULKHEAD NUT JIC 3/4"
6	3	407610401	AHL-00022	DOUBLE STACK HARD LINE CLAMP ASSEMBLY (19 MM)
11	1	424204432		HOSE - 12_5_033.00E_12MJ 12FJX
12	1	424204433		HOSE - 12_5_035.00E_12MJ 12FJX
13	1	424204434		HOSE - 12_5_019.00E_12FJX 12FJX
14	1	424204435		HOSE - 12_5_029.50E_12FJX 12FJX
18	1	426002035	400768	BOTTOM OUTER LINE, BOWL, 2411+
19	1	426002036	400769	TOP INNER LINE, BOWL, 2411+
20	1	426002037	400770	TOP OUTER LINE, BOWL, 2411+
21	1	426003604	400725	REAR PUSH OFF HARD LINE ASSEMBLY, BOWL, 2411+

2411 HYDRAULIC COMPONENTS				
ITEM	QTY.	PART NUMBER	DESCRIPTION	
7	1	424203743	HOSE - 12_5_031.00E_12MJ 12 MJ	
8	1	424203744	HOSE - 12_5_028.00E_12MJ 12MJ	
9	1	424203745	HOSE - 12_5_033.00E_12MJ 12MJ	
10	1	424204407	HOSE - 12_5_028.00E_12MJ_12MJ	

2811 HYDRAULIC COMPONENTS				
ITEM	QTY.	PART NUMBER	DESCRIPTION	
15	2	424207035	HOSE - 12_5_040.50E_12MJ 12MJ	
16	1	424207062	HOSE - 12_5_043.00E_12MJ 12MJ	
17	1	424207063	HOSE - 12_5_045.00E_12MJ 12MJ	

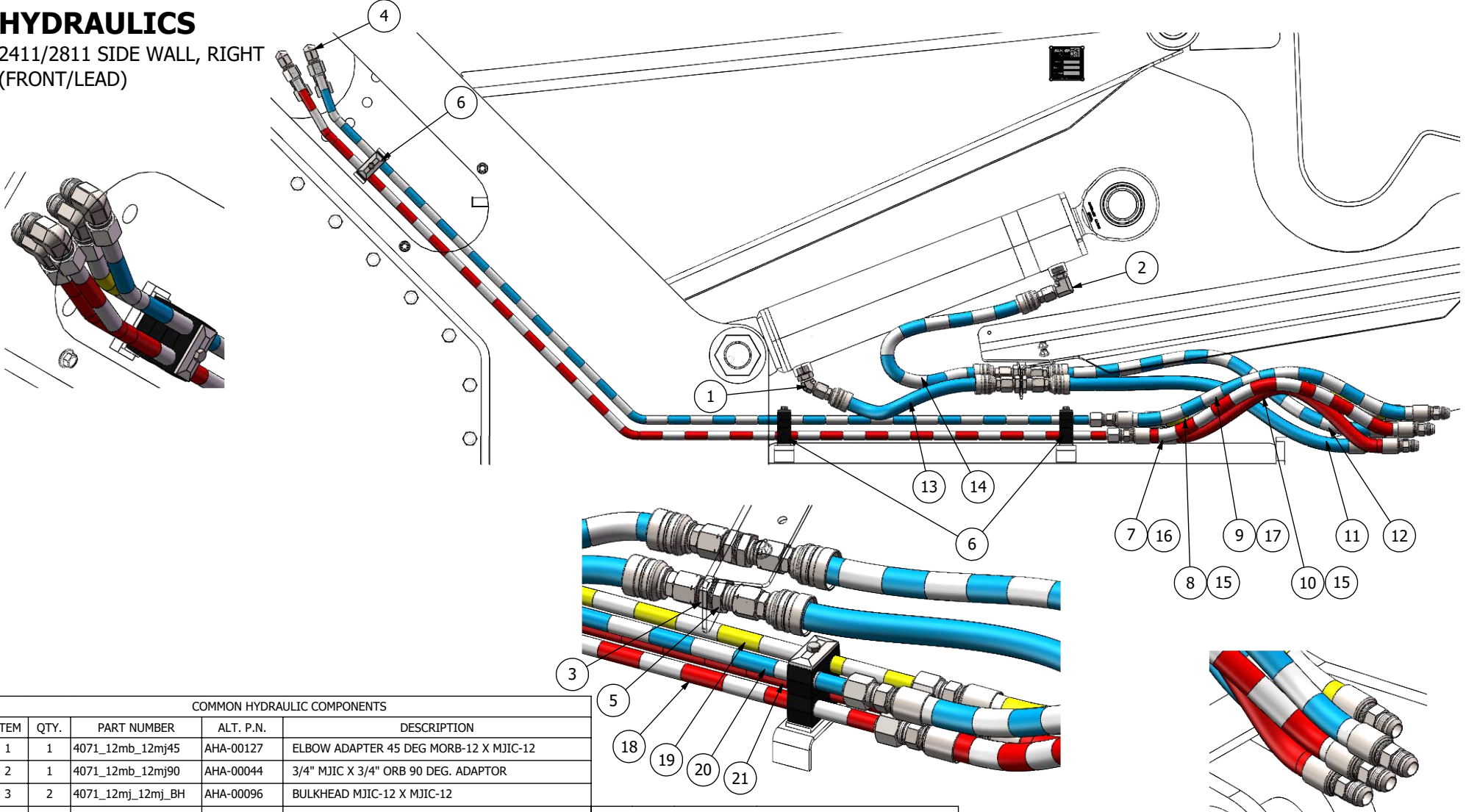
KITS		
407610401		
QTY	DESCRIPTION	
1	Bolt Gr. 8 UNC 5/16" x 1-3/4"	
4	Hose Clamp Half Twin 3D 19 mm	
1	Twin Clamp Safety Locking Plate 2-3D	
1	Stacking Bolt 5/16-18 UNC	
1	Pipe Clamps Twin Series, Cover Plate	



SECTION 2.03

HYDRAULICS

2411/2811 SIDE WALL, RIGHT
(FRONT/LEAD)

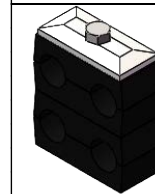


COMMON HYDRAULIC COMPONENTS

ITEM	QTY.	PART NUMBER	ALT. P.N.	DESCRIPTION
1	1	4071_12mb_12mj45	AHA-00127	ELBOW ADAPTER 45 DEG MORB-12 X MJIC-12
2	1	4071_12mb_12mj90	AHA-00044	3/4" MJIC X 3/4" ORB 90 DEG. ADAPTOR
3	2	4071_12mj_12mj_BH	AHA-00096	BULKHEAD MJIC-12 X MJIC-12
4	4	4071_12mj_12mj90	AHA-00019	ADAPTER 90° MJIC-12 X MJIC-12
5	2	4071_12mj_BH nut	AHA-00099	BULKHEAD NUT JIC 3/4"
6	3	407610401	AHL-00022	DOUBLE STACK HARD LINE CLAMP ASSEMBLY (19 MM)
11	1	424204432		HOSE - 12_5_033.00E_12MJ 12FJX
12	1	424204433		HOSE - 12_5_035.00E_12MJ 12FJX
13	1	424204434		HOSE - 12_5_019.00E_12FJX 12FJX
14	1	424204435		HOSE - 12_5_029.50E_12FJX 12FJX
18	1	426002035	400768	BOTTOM OUTER LINE, BOWL, 2411+
19	1	426002036	400769	TOP INNER LINE, BOWL, 2411+
20	1	426002037	400770	TOP OUTER LINE, BOWL, 2411+
21	1	426003604	400725	REAR PUSH OFF HARD LINE ASSEMBLY, BOWL, 2411+

2411 HYDRAULIC COMPONENTS				
ITEM	QTY.	PART NUMBER	DESCRIPTION	
7	1	424203743	HOSE - 12_5_031.00E_12MJ 12 MJ	
8	1	424203744	HOSE - 12_5_028.00E_12MJ 12MJ	
9	1	424203745	HOSE - 12_5_033.00E_12MJ 12MJ	
10	1	424204407	HOSE - 12_5_028.00E_12MJ_12MJ	
2811 HYDRAULIC COMPONENTS				
ITEM	QTY.	PART NUMBER	DESCRIPTION	
15	2	424207035	HOSE - 12_5_040.50E_12MJ 12MJ	
16	1	424207062	HOSE - 12_5_043.00E_12MJ 12MJ	
17	1	424207063	HOSE - 12_5_045.00E_12MJ 12MJ	

KITS

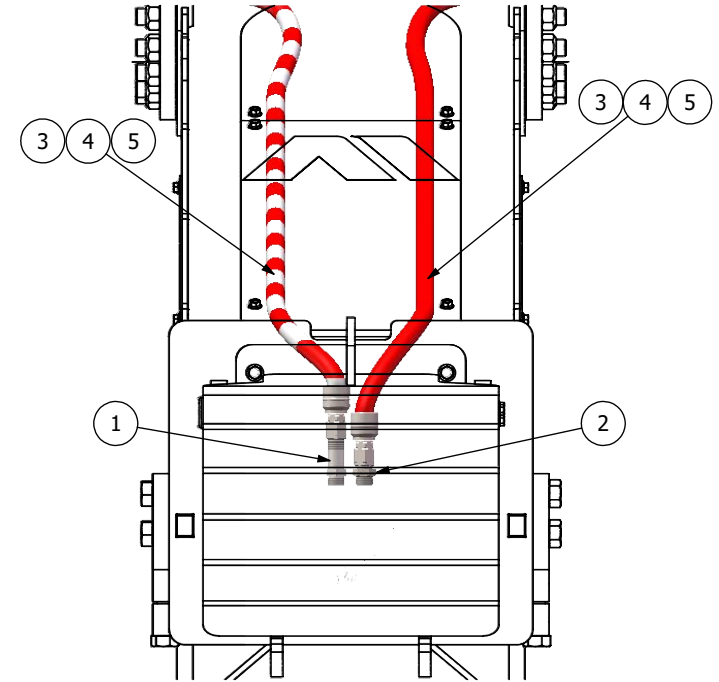
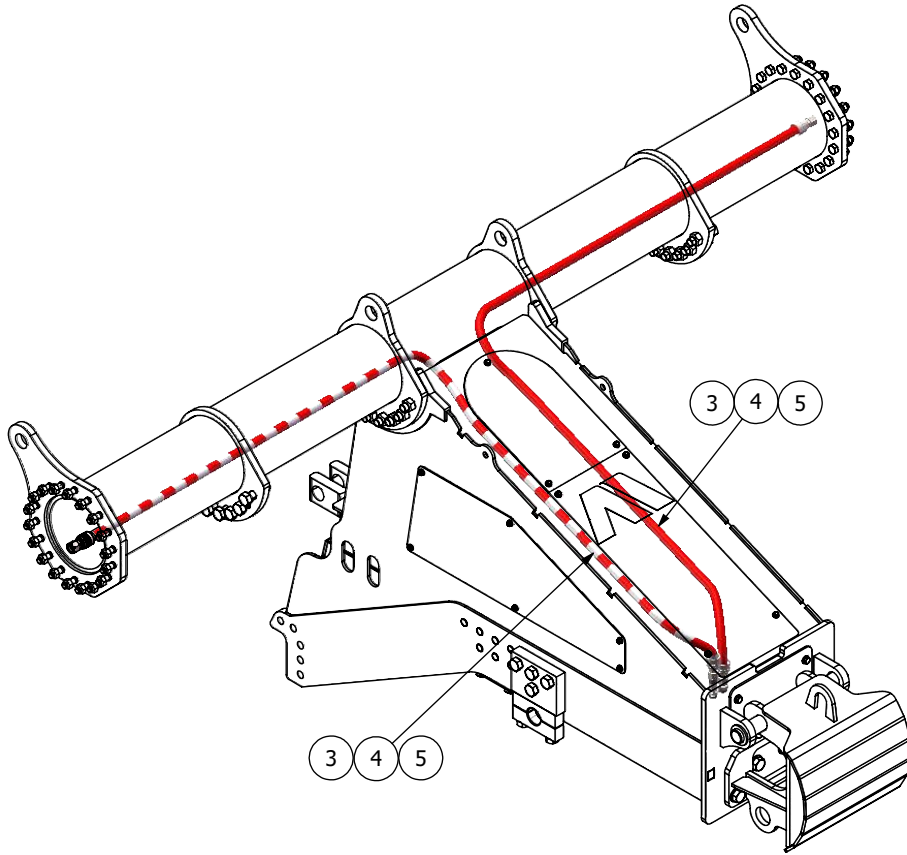


407610401	
QTY	DESCRIPTION
1	Bolt Gr. 8 UNC 5/16" x 1-3/4"
4	Hose Clamp Half Twin 3D 19 mm
1	Twin Clamp Safety Locking Plate 2-3D
1	Stacking Bolt 5/16-18 UNC
1	Pipe Clamps Twin Series, Cover Plate

SECTION 2.04

HYDRAULICS

2411-3413 TAIL
(REAR/SINGLE)



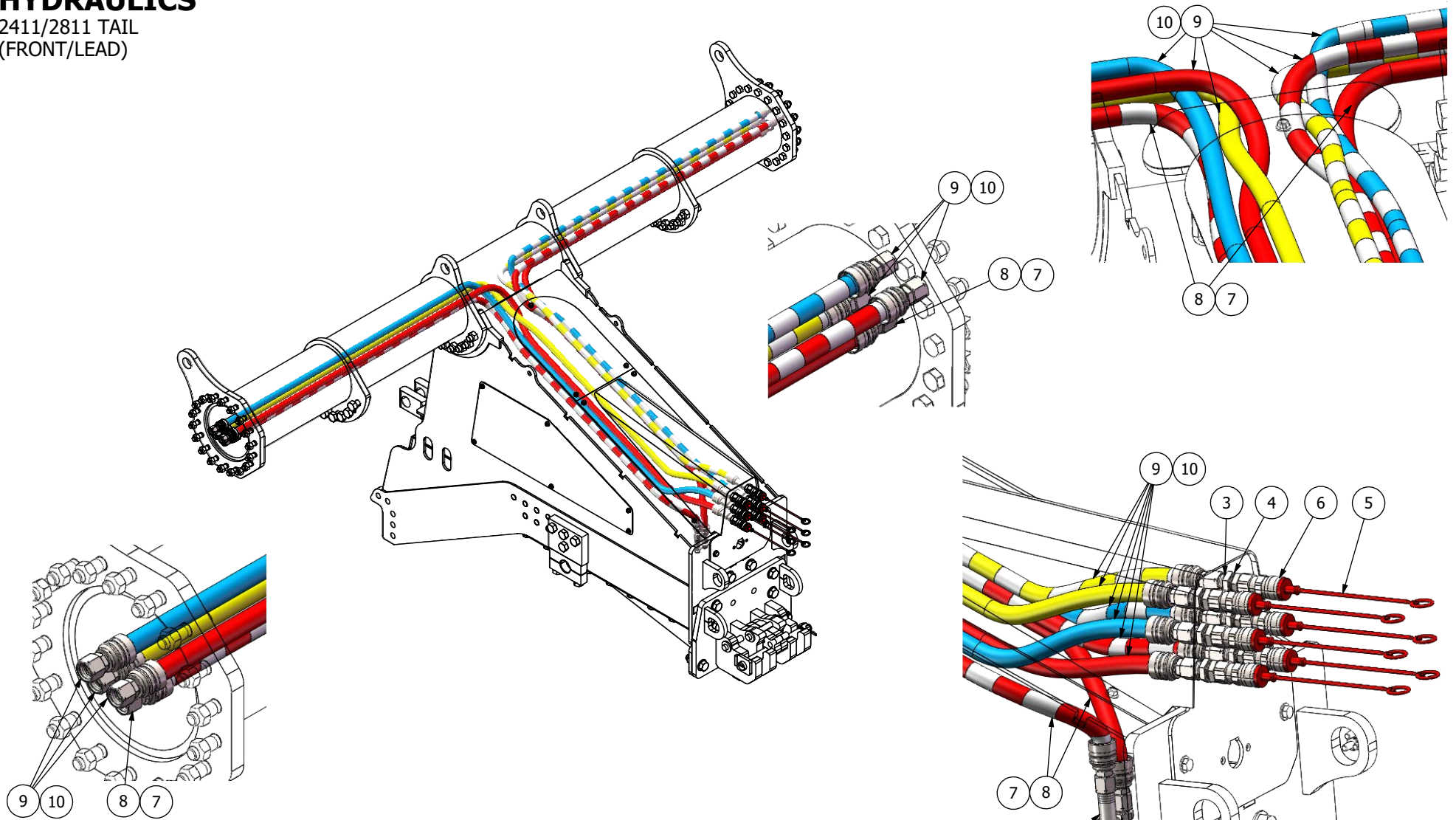
2811/3013 HYDRAULIC COMPONENTS			
ITEM	QTY.	PART NUMBER	DESCRIPTION
3	2	424207036	HOSE - 12_5_132.00E_12FJX 12FJX
2411 HYDRAULIC COMPONENTS			
ITEM	QTY.	PART NUMBER	DESCRIPTION
4	2	424207041	HOSE - 12_5_120.00E_12FJX 12FJX
3413 HYDRAULIC COMPONENTS			
ITEM	QTY.	PART NUMBER	DESCRIPTION
5	2	424207051	HOSE - 12_5_144.00E_12FJX 12FJX

COMMON HYDRAULIC COMPONENTS				
ITEM	QTY.	PART NUMBER	ALT. P.N.	DESCRIPTION
1	1	4071_12mb_12mj_L		12 MJIC X 12 MJIC STRAIGHT LONG
2	1	4071_12mb_12mj	AHA-00041	ADAPTER MORB-12 X MJIC-12

SECTION 2.04

HYDRAULICS

2411/2811 TAIL
(FRONT/LEAD)

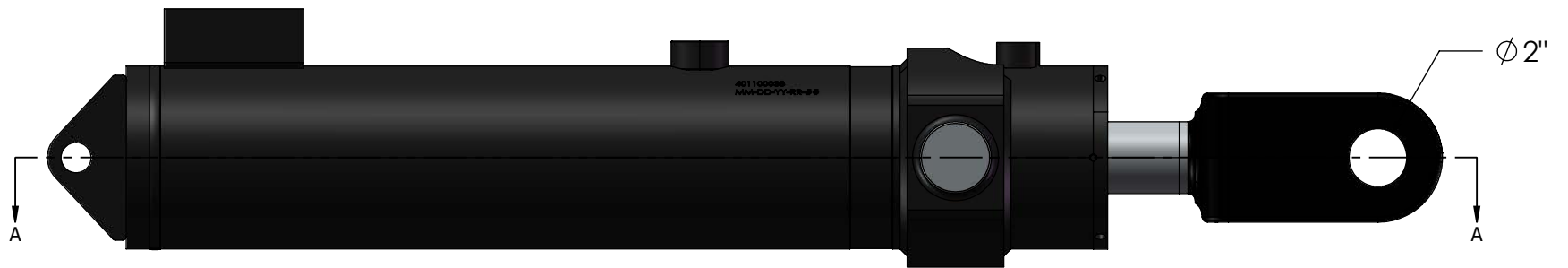
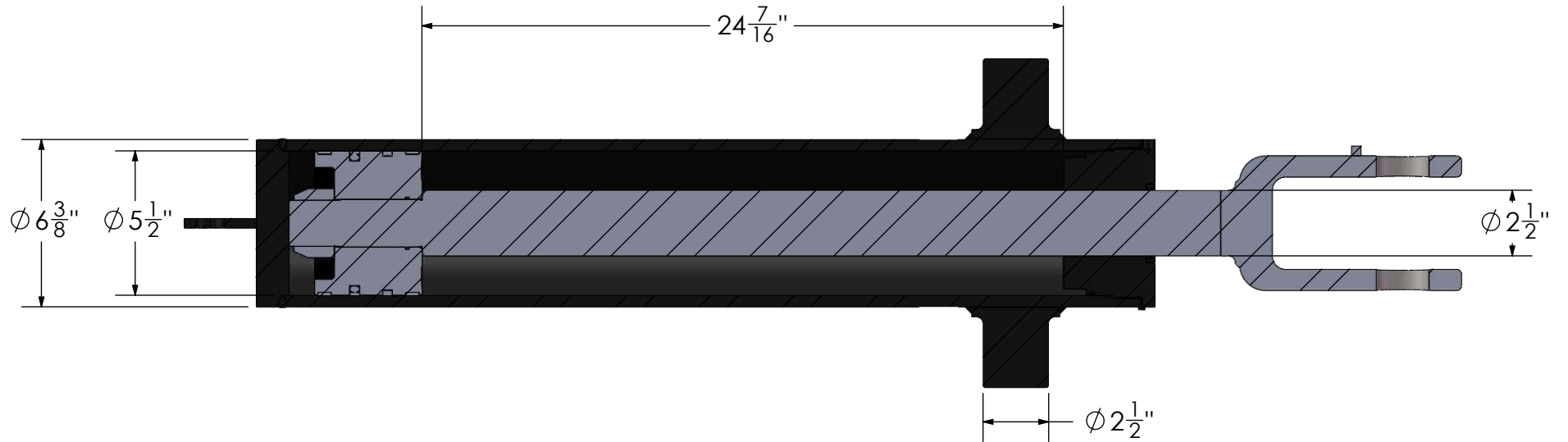


COMMON HYDRAULIC COMPONENTS				2411 HYDRAULIC COMPONENTS				
ITEM	QTY.	PART NUMBER	ALT. P.N.	DESCRIPTION	ITEM	QTY.	PART NUMBER	DESCRIPTION
1	1	4071_12mb_12mj_L		12 MJIC X 12 MJIC STRAIGHT LONG	8	2	424207041	HOSE - 12_5_120.00E_12FJX 12FJX
2	1	4071_12mb_12mj	AHA-00041	ADAPTER MORB-12 X MJIC-12	9	6	424207052	HOSE - 12_5_126.00E_12FJX 12FJX
3	6	4071_12mj_12mb_BH		BULKHEAD MJIC-12 X MORB-12	2811 HYDRAULIC COMPONENTS			
4	6	4071_12mj_BH nut	AHA-00099	BULKHEAD NUT JIC 3/4"	ITEM	QTY.	PART NUMBER	DESCRIPTION
5	6	407000059		COUPLER PLUG 1/2"	7	2	424207036	HOSE - 12_5_132.00E_12FJX 12FJX
6	6	407300089		QUICK COUPLER 1/2" BODY ORB -12 (ISO 7241)	10	6	424207071	HOSE - 12_5_138.00E_12FJX 12FJX

SECTION 3.00

HYDRAULIC CYLINDERS

2411/2811 LIFT CYLINDER



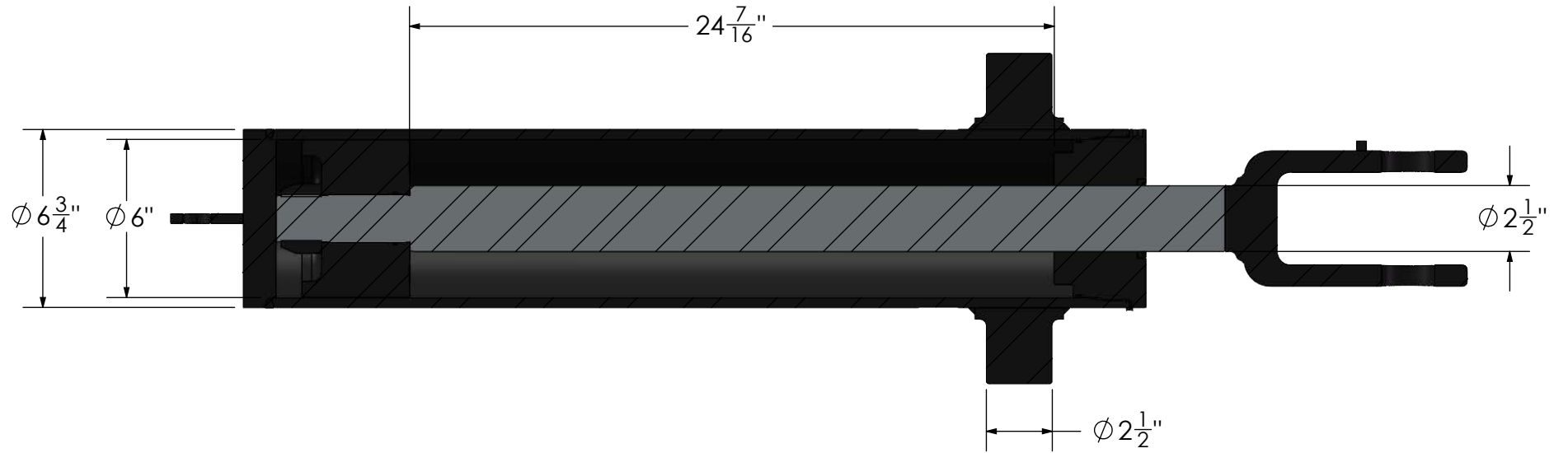
Seal Kit # 431972P
Cylinder # 401100038 (RR 150644)

401100038

SECTION 3.00

HYDRAULIC CYLINDERS

3013/3413 LIFT CYLINDER



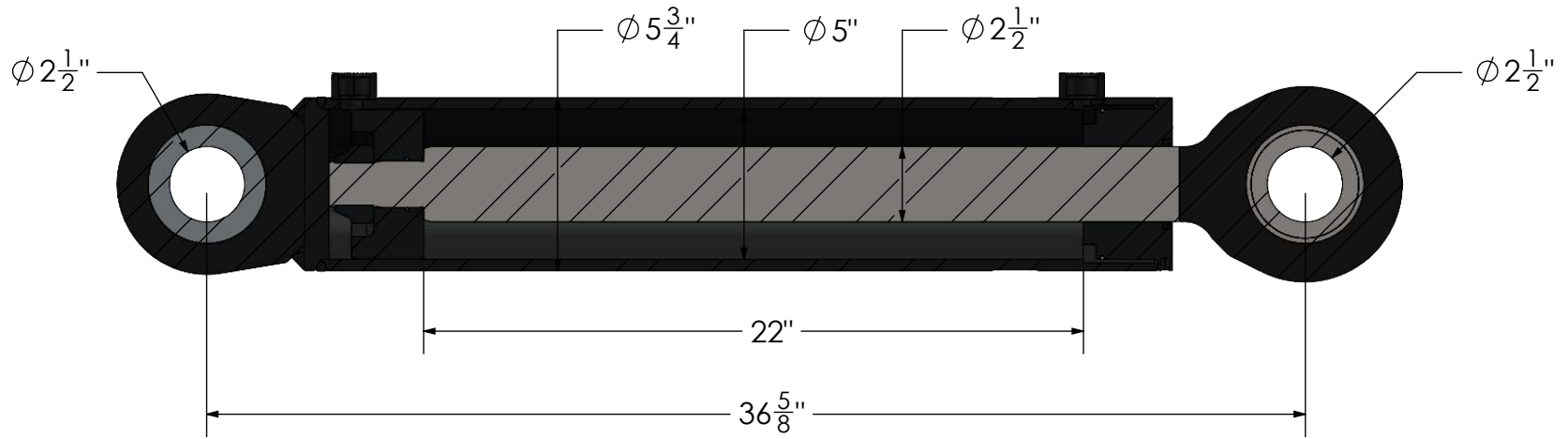
Seal Kit # 432540P
Cylinder # 401100039 (RR 160480)

401100039

SECTION 3.00

HYDRAULIC CYLINDERS

2411-3413 APRON/GATE CYLINDER



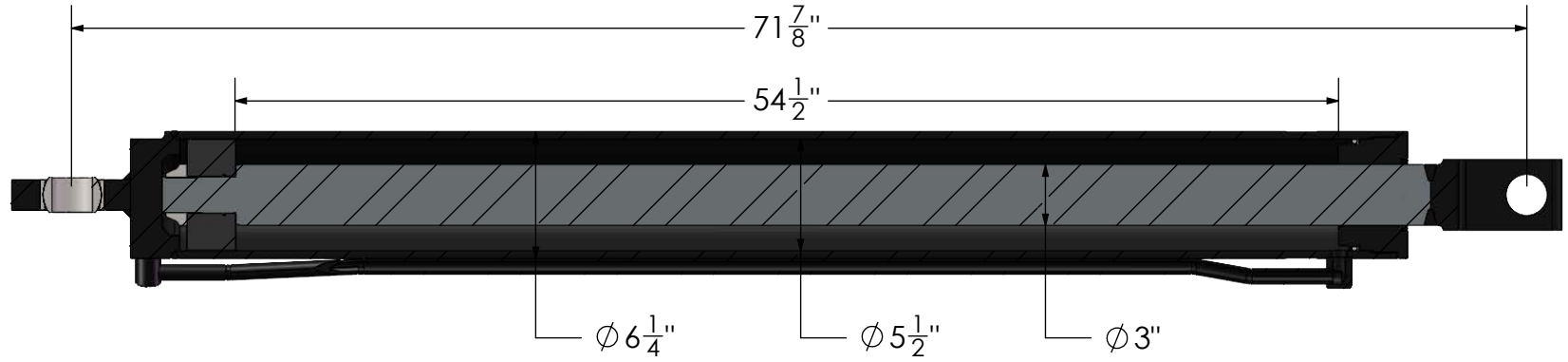
Seal Kit # 432288P
Cylinder # 401200020 (RR 150543)
Spherical Bushing # 400379 (404000150)

401200020

SECTION 3.00

HYDRAULIC CYLINDERS

2411/3013 EJECTOR CYLINDER



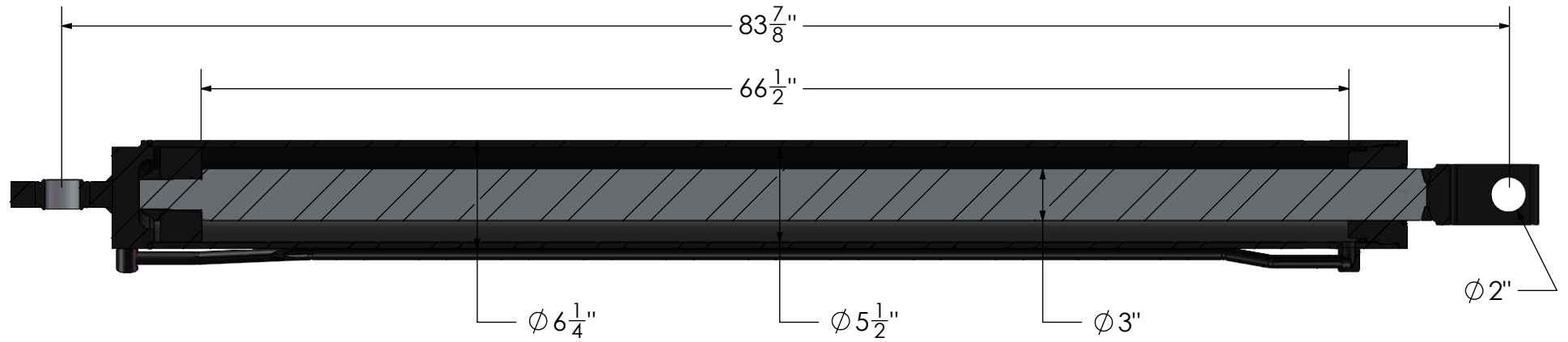
Seal Kit # 432406P
Cylinder # 401300051 (RR 150649)
Spherical Bushing # 400376 (404000134)

401300051

SECTION 3.00

HYDRAULIC CYLINDERS

2811/3413 EJECTOR CYLINDER



Seal Kit # 432406P
Cylinder # 401300052 (RR 150650)
Spherical Bushing # 400376 (404000134)

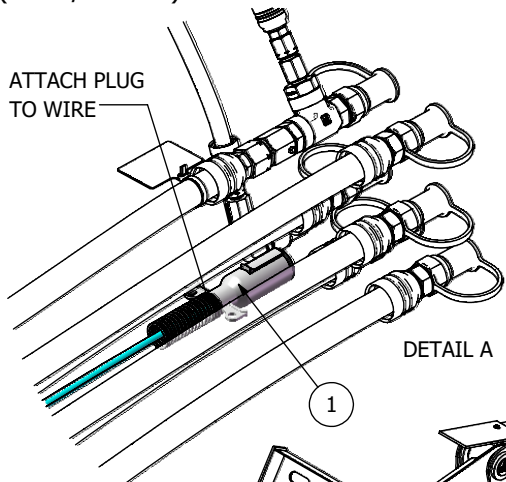
401300052

SECTION 4.00

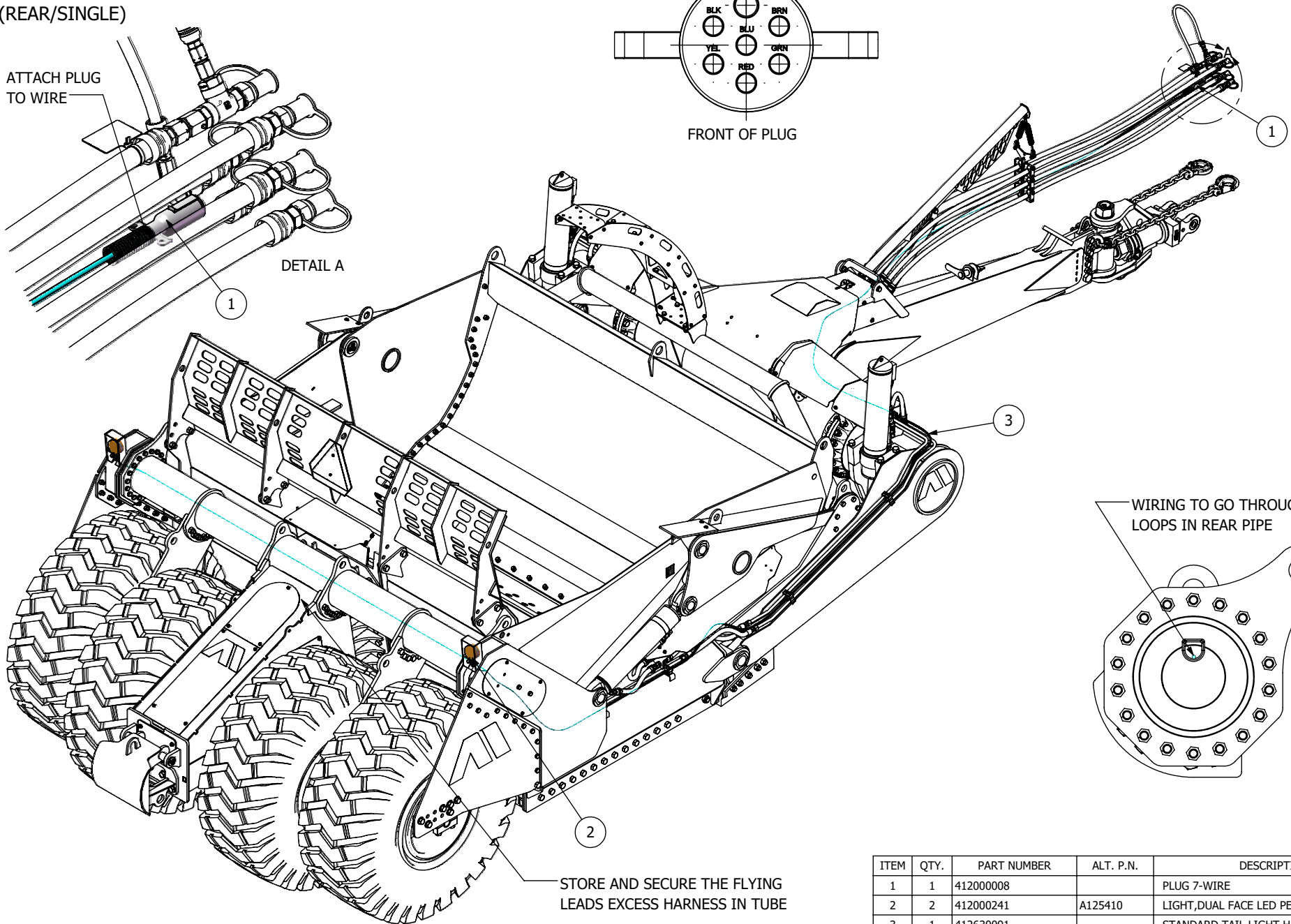
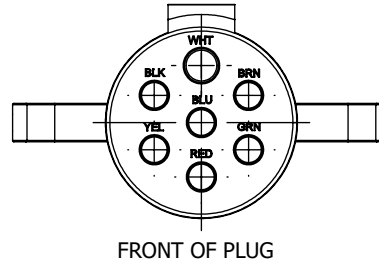
ELECTRICAL

2411-3413 ELECTRICAL ROUTING
(REAR/SINGLE)

ATTACH PLUG
TO WIRE



DETAIL A



WIRING TO GO THROUGH
LOOPS IN REAR PIPE

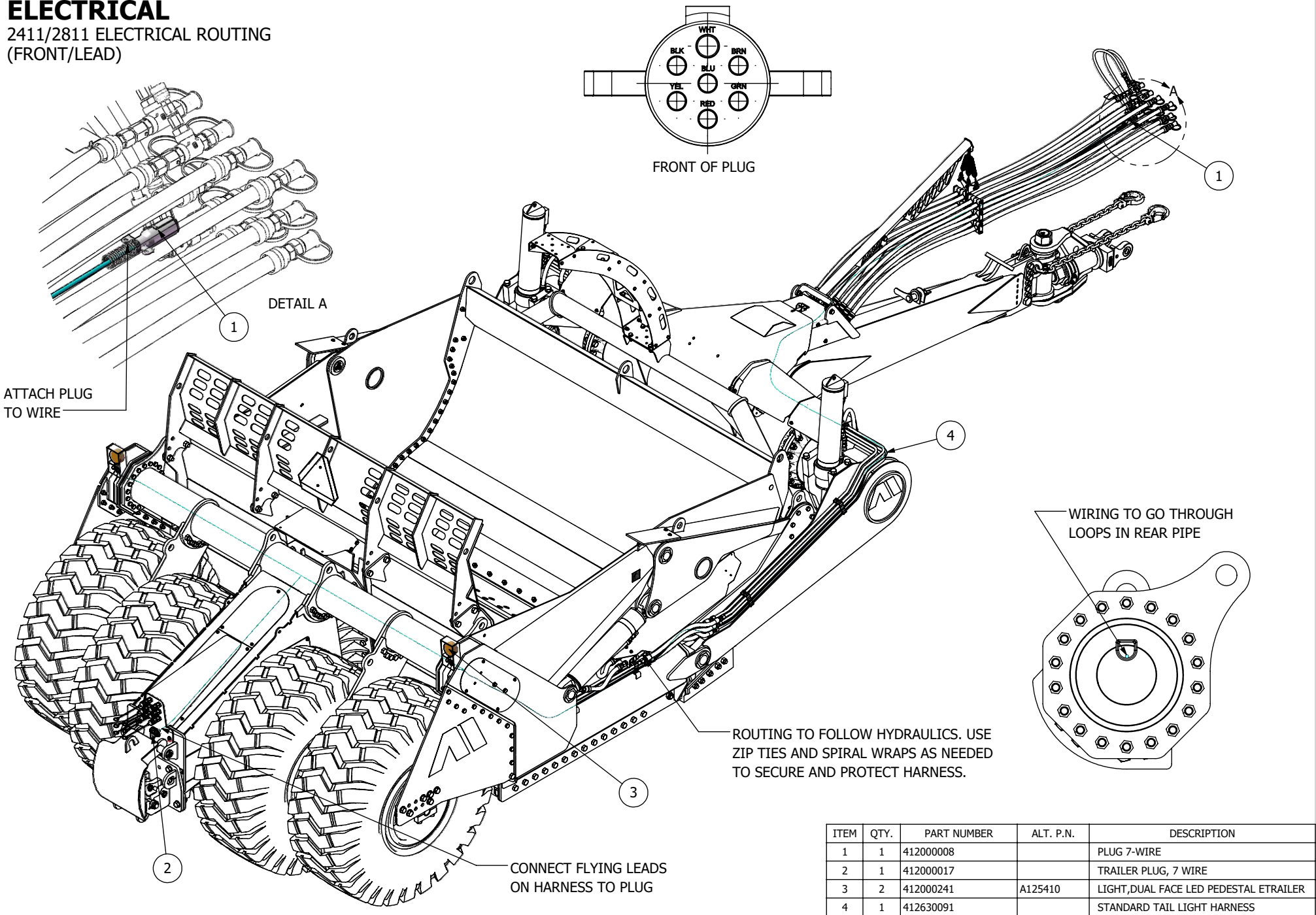
STORE AND SECURE THE FLYING
LEADS EXCESS HARNESS IN TUBE

ITEM	QTY.	PART NUMBER	ALT. P.N.	DESCRIPTION
1	1	412000008		PLUG 7-WIRE
2	2	412000241	A125410	LIGHT, DUAL FACE LED PEDESTAL ETRAILER
3	1	412630091		STANDARD TAIL LIGHT HARNESS

SECTION 4.00

ELECTRICAL

2411/2811 ELECTRICAL ROUTING
(FRONT/LEAD)

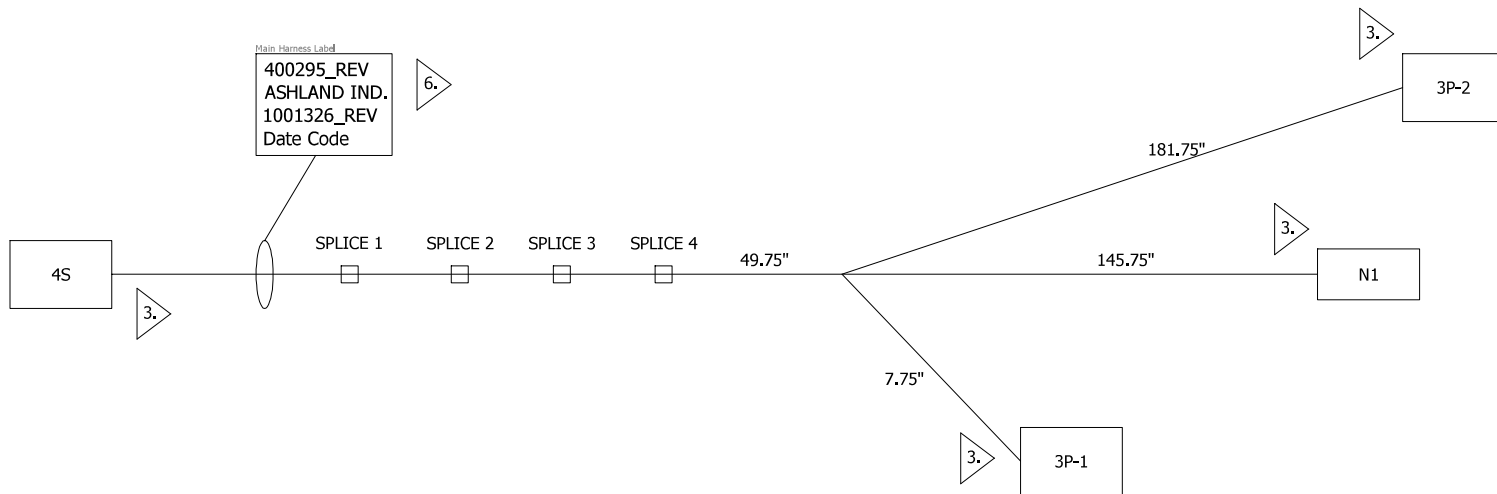
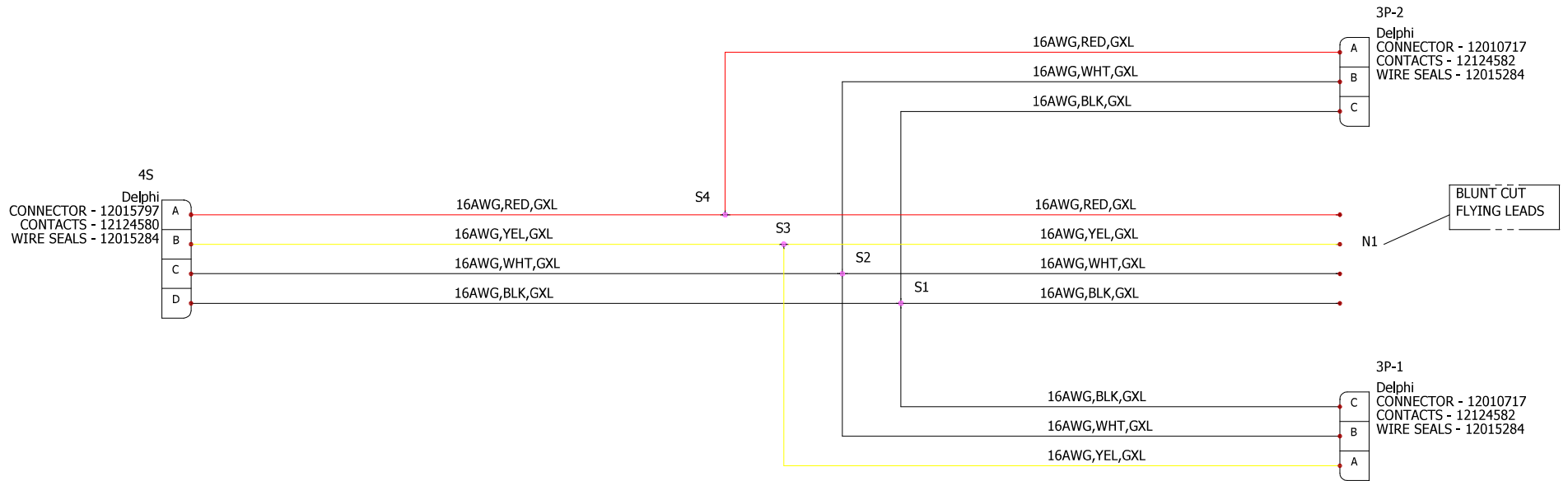


ITEM	QTY.	PART NUMBER	ALT. P.N.	DESCRIPTION
1	1	412000008		PLUG 7-WIRE
2	1	412000017		TRAILER PLUG, 7 WIRE
3	2	412000241	A125410	LIGHT, DUAL FACE LED PEDESTAL ETRAILER
4	1	412630091		STANDARD TAIL LIGHT HARNESS

SECTION 4.00

ELECTRICAL

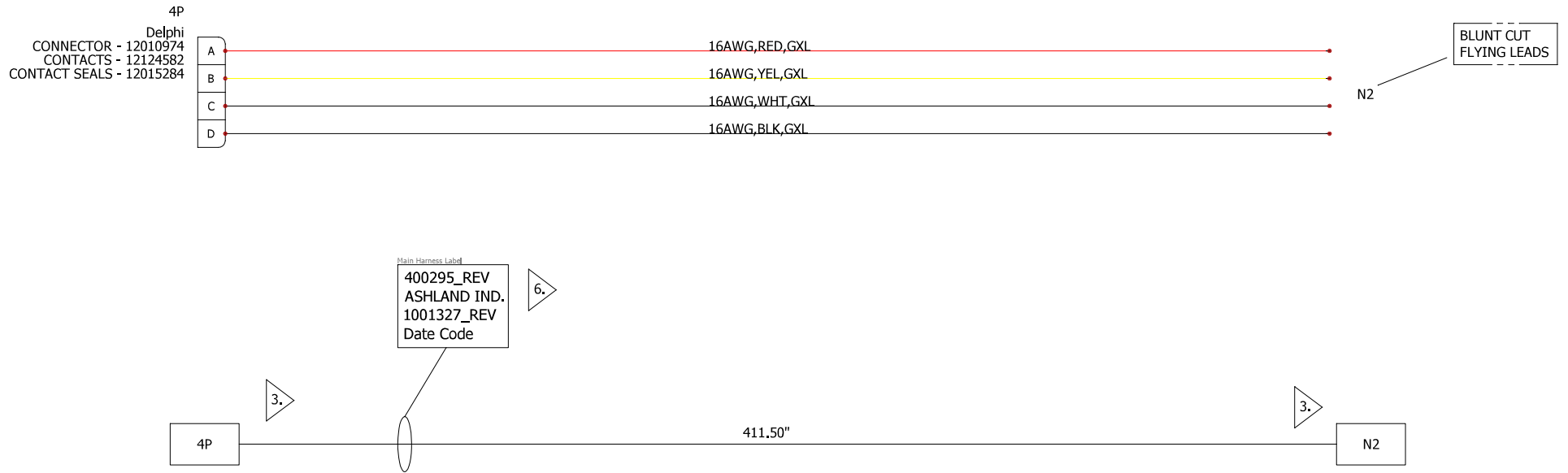
412630091 HARNESS DIAGRAM



SECTION 4.00

ELECTRICAL

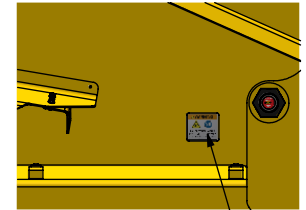
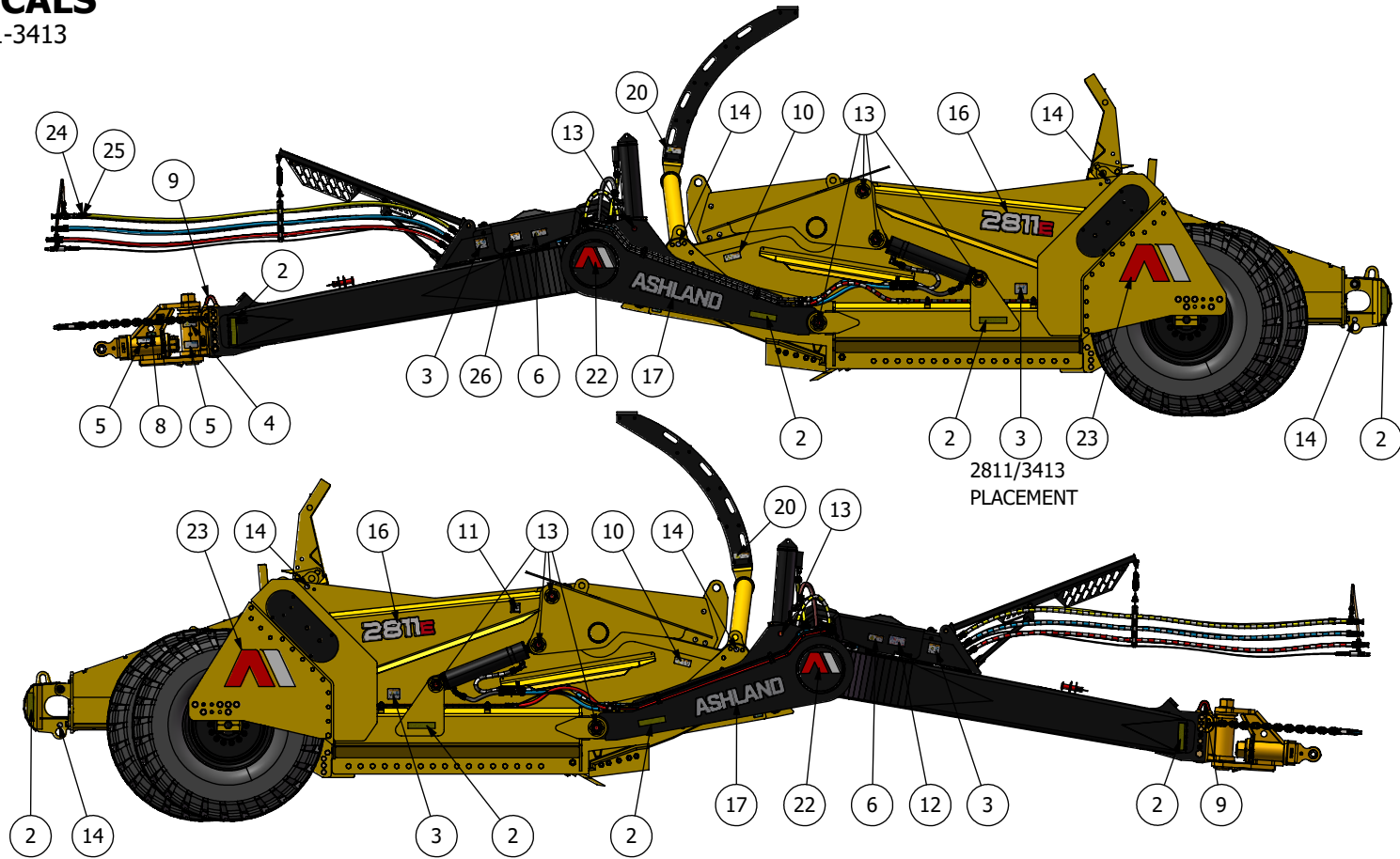
412630091 HARNESS DIAGRAM



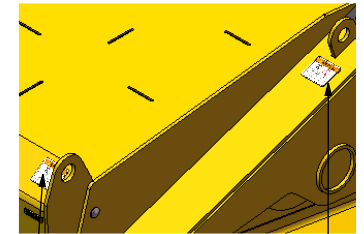
SECTION 5.00

DECALS

2411-3413



3
2411/3013
PLACEMENT



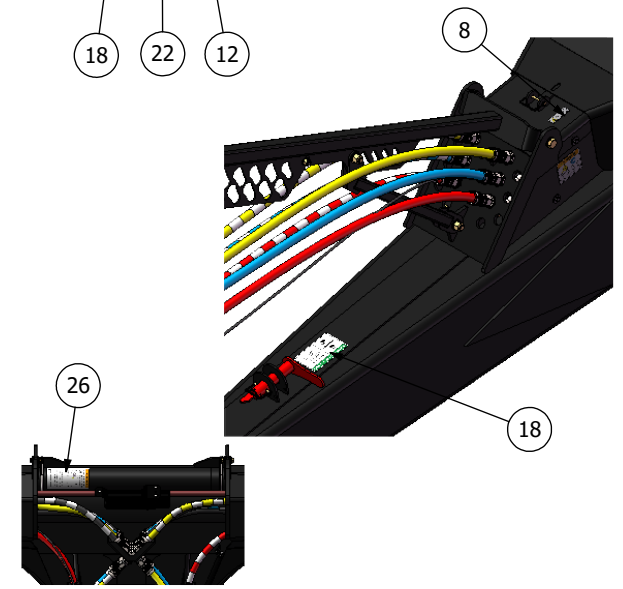
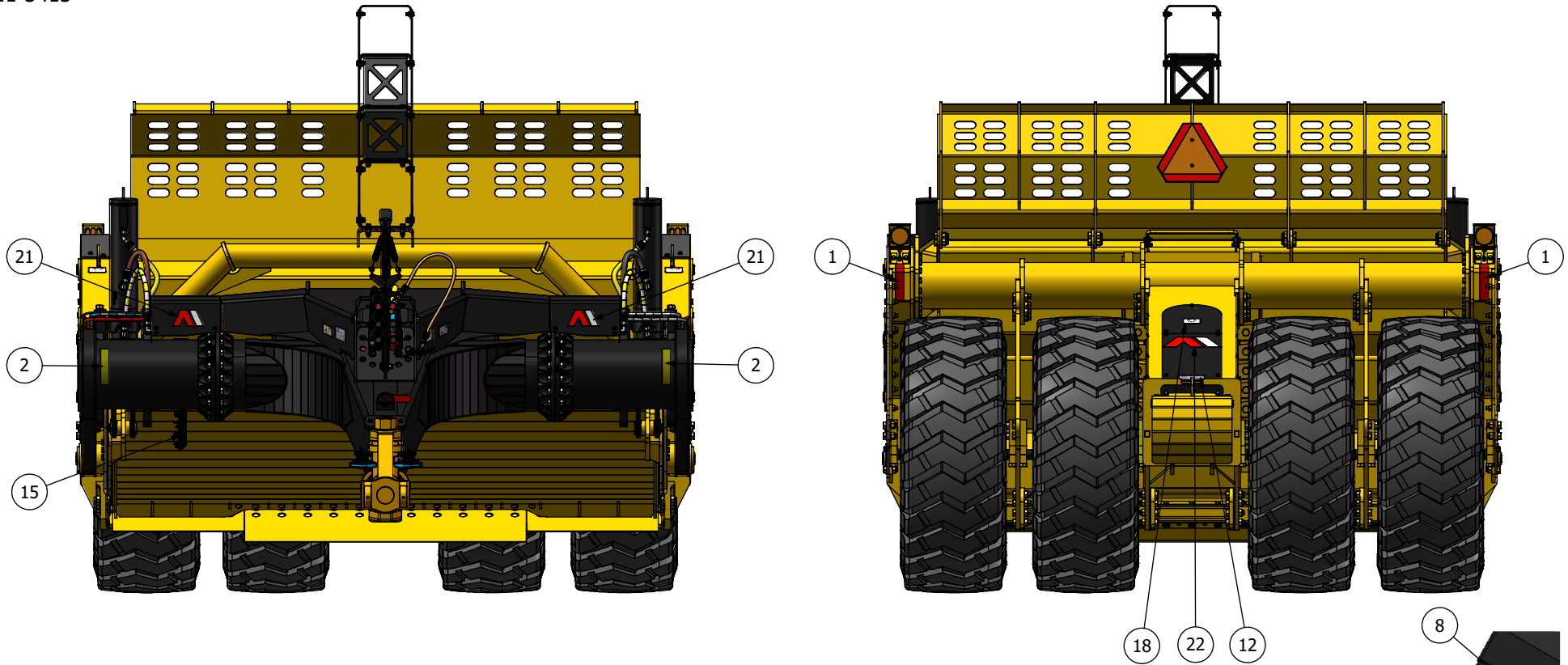
17
17

ITEM	QTY.	PART NUMBER	ALT. P.N.	DESCRIPTION	ITEM	QTY.	PART NUMBER	ALT. P.N.	DESCRIPTION
1	2	411000003		DECAL RED STRIP (REFLECTIVE LIGHT)	15	1	411000283	ADS-00066	DECAL - DEPTH GAUGE
2	10	411000004		DECAL - REFLECTIVE TAPE, YELLOW	16	2	SEE SEC. 1.06	-----	DECAL - MODEL NUMBER
3	4	411000040	750464	DECAL - WARNING HIGH-PRESSURE HYD	17	2	411000346		DECAL - ASHLAND WORDMARK
4	1	411000041		DECAL CAUTION LIFT POINT	18	5	411000353	ADS-00046	DECAL WARNING - NOT FOR LIFTING
5	2	411000046		DECAL NOTICE GREASE POINT	19	1	411000355	ADS-00047	DECAL SAFETY LOCK INSTRUCTIONS
6	2	411000064		DECAL WARNING - FALL HAZARD	20	2	411000360		DECAL - WARNING FALLING HAZARD
7	1	411000097		DECAL PINCH HAZARD	21	2	411000372		DECAL - AI LOGO SMALL
8	3	411000102		DECAL TIE-DOWN	22	3	411000374		DECAL - AI LOGO LARGE
9	2	411000206		DECAL V	23	2	411000375		DECAL - AI LOGO EXTRA LARGE
10	2	411000261	ADS-00011	DECAL - CRUSHING HAZARD	24	1	411000386		DECAL - CASE DRAIN WARNING TOP
11	1	411000263		SERIAL NUMBER PLATE	25	1	411000387		DECAL - CASE DRAIN WARNING BOTTOM
12	2	411000277	ADS-00069	DECAL AMERICAN BUILT	26	1	411000413		DECAL - RUNAWAY MACHINE
13	12	411000278	ADS-00083	DECAL - GREASELESS POINT ROUND	27	1	411000470		DECAL: ACCUMULATOR
14	6	411000281	ADS-00091	DECAL - LIFT POINT ROUND					

SECTION 5.00

DECALS

2411-3413

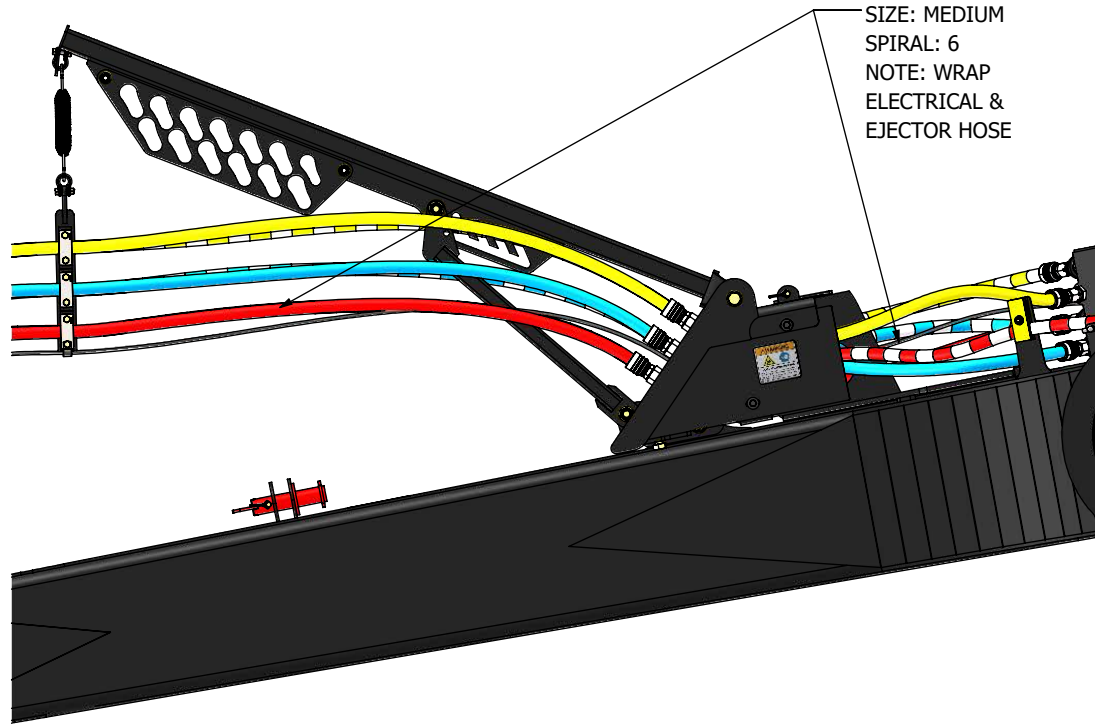


ITEM	QTY.	PART NUMBER	ALT. P.N.	DESCRIPTION	ITEM	QTY.	PART NUMBER	ALT. P.N.	DESCRIPTION
1	2	411000003		DECAL RED STRIP (REFLECTIVE LIGHT)	15	1	411000283	ADS-00066	DECAL - DEPTH GAUGE
2	10	411000004		DECAL - REFLECTIVE TAPE, YELLOW	16	2	SEE SEC. 1.06	-----	DECAL - MODEL NUMBER
3	4	411000040	750464	DECAL - WARNING HIGH-PRESSURE HYD	17	2	411000346		DECAL - ASHLAND WORDMARK
4	1	411000041		DECAL CAUTION LIFT POINT	18	5	411000353	ADS-00046	DECAL WARNING - NOT FOR LIFTING
5	2	411000046		DECAL NOTICE GREASE POINT	19	1	411000355	ADS-00047	DECAL SAFETY LOCK INSTRUCTIONS
6	2	411000064		DECAL WARNING - FALL HAZARD	20	2	411000360		DECAL - WARNING FALLING HAZARD
7	1	411000097		DECAL PINCH HAZARD	21	2	411000372		DECAL - AI LOGO SMALL
8	3	411000102		DECAL TIE-DOWN	22	3	411000374		DECAL - AI LOGO LARGE
9	2	411000206		DECAL V	23	2	411000375		DECAL - AI LOGO EXTRA LARGE
10	2	411000261	ADS-00011	DECAL - CRUSHING HAZARD	24	1	411000386		DECAL - CASE DRAIN WARNING TOP
11	1	411000263		SERIAL NUMBER PLATE	25	1	411000387		DECAL - CASE DRAIN WARNING BOTTOM
12	2	411000277	ADS-00069	DECAL AMERICAN BUILT	26	1	411000413		DECAL - RUNAWAY MACHINE
13	12	411000278	ADS-00083	DECAL - GREASELESS POINT ROUND	27	1	411000470		DECAL: ACCUMULATOR
14	6	411000281	ADS-00091	DECAL - LIFT POINT ROUND					

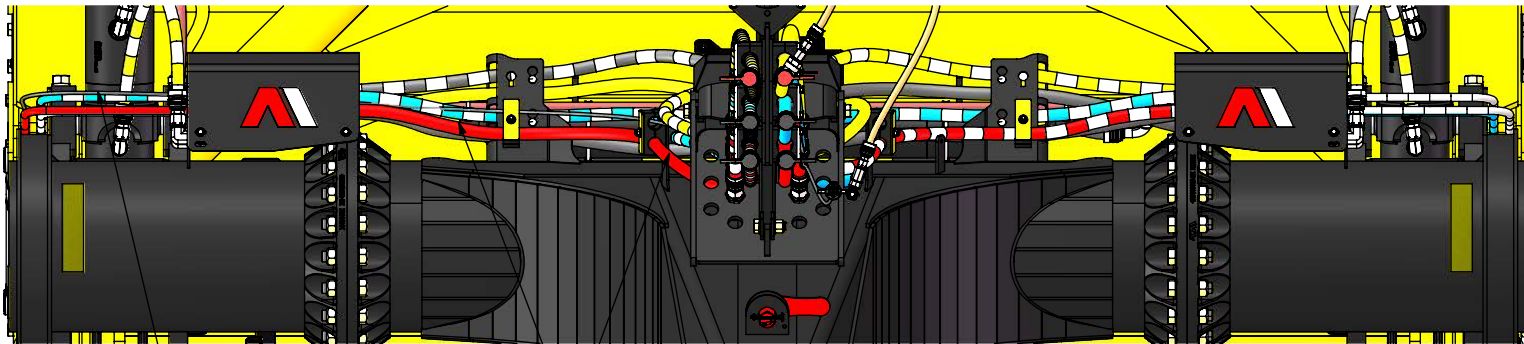
SECTION 6.00

SPIRAL WRAP

2411-3413, POLE



SIZE: MEDIUM
SPIRAL: 6
NOTE: WRAP
ELECTRICAL &
EJECTOR HOSE



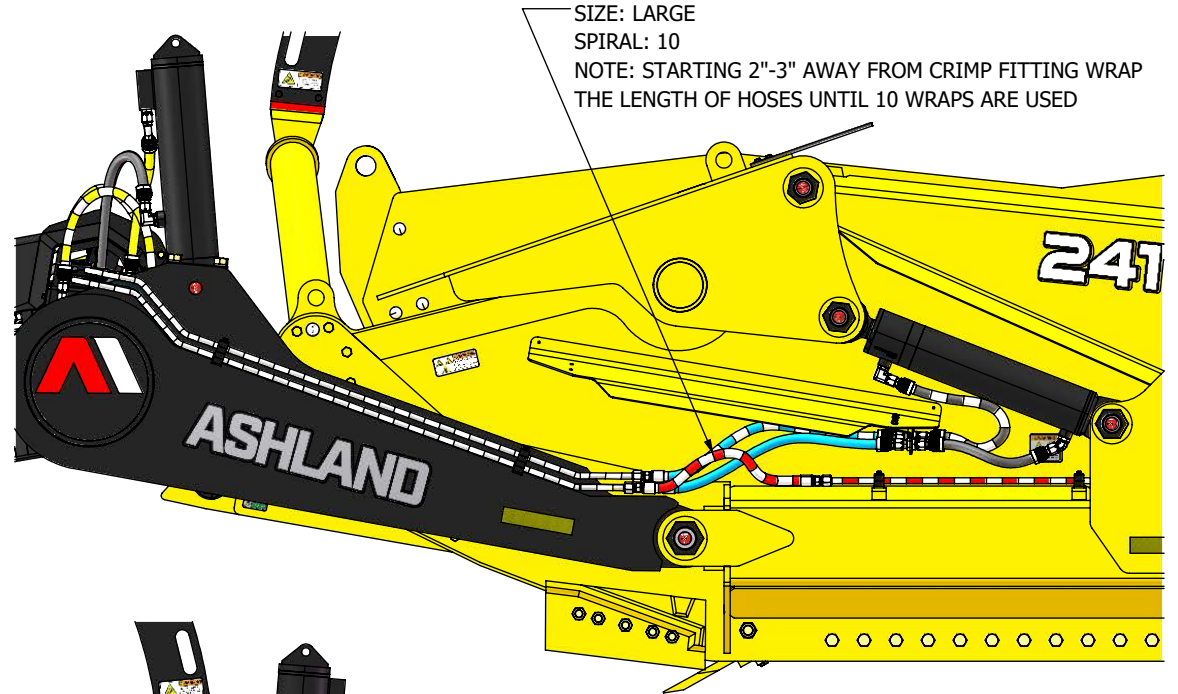
SIZE: SMALL
SPIRAL: 6
NOTE: WRAP ELECTRICAL
HARNES TO STEEL LINE

SIZE: MEDIUM
SPIRAL: 6
NOTE: WRAP
ELECTRICAL &
EJECTOR HOSE

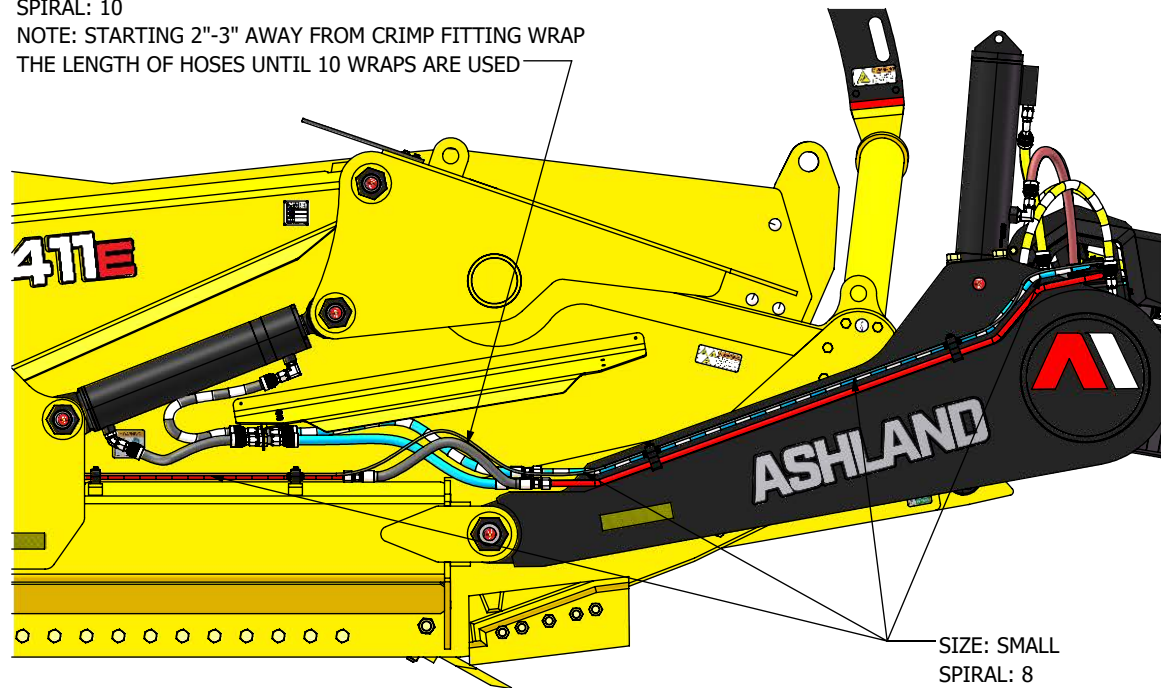
SECTION 6.00

SPIRAL WRAP

2411-3413, SIDES



SIZE: LARGE
SPIRAL: 10
NOTE: STARTING 2"-3" AWAY FROM CRIMP FITTING WRAP
THE LENGTH OF HOSES UNTIL 10 WRAPS ARE USED



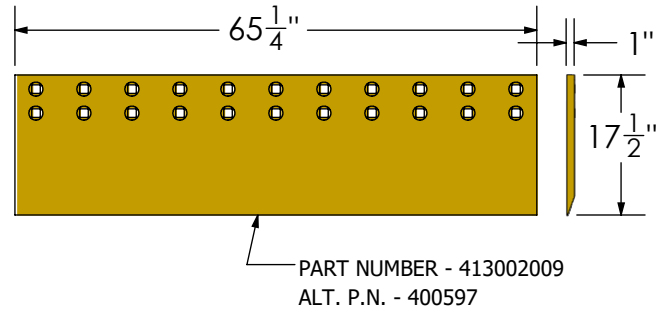
SIZE: SMALL
SPIRAL: 8
NOTE: WRAP ELECTRICAL HARNESS TO STEEL LINE

SECTION 7.00

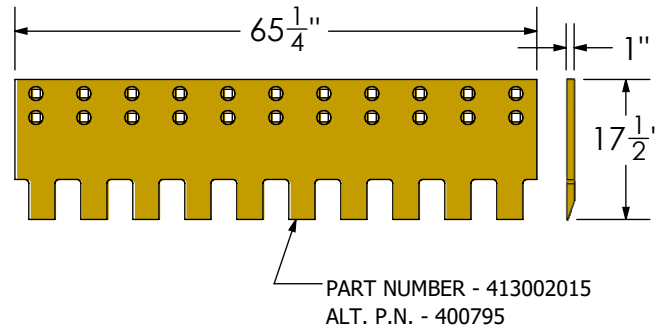
CUTTING EDGES

2411-3413 REPLACEMENT CUTTING EDGES

CENTER EDGES

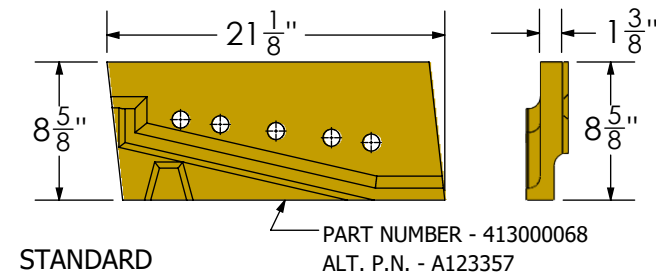


STANDARD



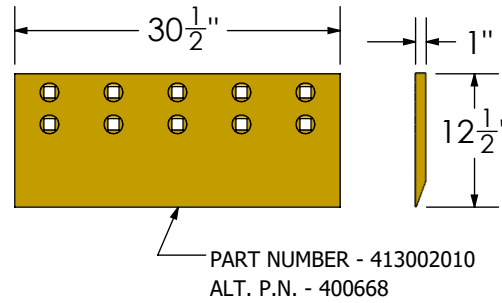
SERRATED

ROUTER BITS

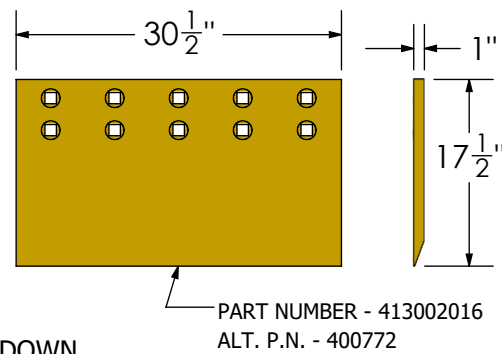


STANDARD

SIDE EDGES - 2411/2811

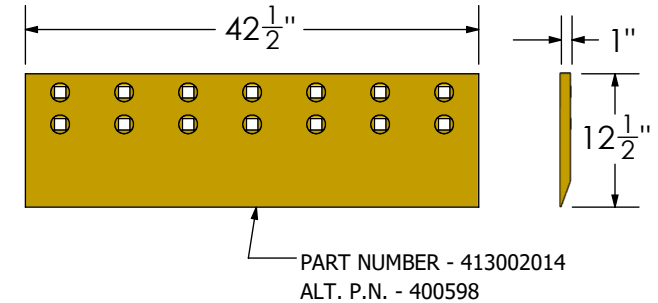


STANDARD

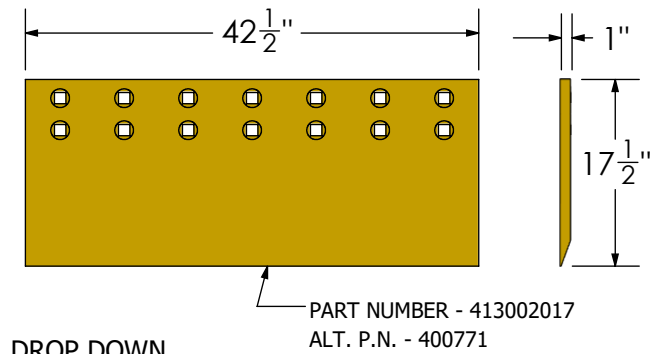


DROP DOWN

SIDE EDGES - 3013/3413



STANDARD



DROP DOWN