



## PARTS MANUAL

ASHLAND 1509E-DM, 1509E-DW SCRAPER

MODEL: 001  
VERSION: 1.00

### TABLE OF CONTENTS

- |                                      |                                     |                                    |                                      |                             |                            |                                     |
|--------------------------------------|-------------------------------------|------------------------------------|--------------------------------------|-----------------------------|----------------------------|-------------------------------------|
| <b>1</b><br>Structural<br>Components | <b>2</b><br>Hydraulic<br>Components | <b>3</b><br>Hydraulic<br>Cylinders | <b>4</b><br>Electrical<br>Components | <b>5</b><br>Decal<br>Layout | <b>6</b><br>Spiral<br>Wrap | <b>7</b><br>Cutting Edge<br>Options |
|--------------------------------------|-------------------------------------|------------------------------------|--------------------------------------|-----------------------------|----------------------------|-------------------------------------|

# 1509E



## SECTION 1.00

# BOLT TORQUE SPECIFICATIONS

Recommended Torque Specifications Unless Otherwise Specified.

### STANDARD/PLOW/CARRIAGE BOLTS

BOLT SIZE	THREAD PER INCH	GRADE 2				GRADE 5				GRADE 8			
		DRY		LUBRICATED		DRY		LUBRICATED		DRY		LUBRICATED	
		ft/lbs	Nm	ft/lbs	Nm	ft/lbs	Nm	ft/lbs	Nm	ft/lbs	Nm	ft/lbs	Nm
1/4	20	5.5	7.4	4.1	5.6	9.5	12.9	7.2	9.7	12	16.2	9	12.1
1/4	28	6.3	8.5	4.7	6.4	10.9	14.8	8.2	11.1	14	18.5	10	13.9
5/16	18	11	15.3	8	11.5	20	26.6	15	20.0	25	33.3	18	25.0
5/16	24	13	17.0	9	12.7	22	29.5	16	22.1	27	36.9	20	27.6
3/8	16	20	27.2	15	20.4	35	47.3	26	35.5	44	59.1	33	44.3
3/8	24	23	30.8	17	23.1	40	53.6	30	40.2	49	67.0	37	50.2
7/16	14	32	43.5	24	32.6	56	75.7	42	56.7	70	94.6	52	70.9
7/16	20	36	48.6	27	36.4	62	84.5	47	63.4	78	105.6	58	79.2
1/2	13	49	66.4	37	49.8	85	115.4	64	86.6	106	144.3	80	108.2
1/2	20	55	74.8	41	56.1	96	130.1	72	97.6	120	162.6	90	121.9
5/8	11	97	132.1	73	99.1	170	229.8	127	172.4	212	287.3	159	215.4
5/8	18	110	149.7	83	112.3	192	260.3	144	195.2	240	325.4	180	244.0
3/4	10	173	234.3	130	175.8	301	407.6	225	305.7	376	509.4	282	382.1
3/4	16	193	261.7	145	196.3	336	455.1	252	341.4	420	568.9	315	426.7
7/8	9	243	328.9	182	246.6	485	657.7	364	493.3	606	822.1	455	616.6
7/8	14	267	362.3	200	271.7	534	724.6	401	543.5	668	905.8	501	679.3
1	8	364	493.0	273	369.7	636	862.7	477	647.0	909	1232.4	682	924.3
1	12	398	539.3	298	404.5	696	943.9	522	707.9	995	1348.4	746	1011.3
1 1/4	7	727	985.3	545	739.0	1272	1724.3	954	1293.3	1817	2463.4	1363	1847.5
1 1/4	12	805	1091.1	604	818.3	1408	1909.4	1056	1432.1	2012	2727.7	1509	2045.8
1 1/2	6	1265	1714.4	948	1285.8	2213	3000.3	1660	2250.2	3161	4286.1	2371	3214.6
1 1/2	12	1423	1929.2	1067	1446.9	2490	3376.1	1868	2532.1	3557	4823.0	2668	3617.2
2	4.5	3000	4067.5	2250	3050.6	5250	7118.0	3938	5338.5	7500	10168.6	5625	7626.5
2	8	3324	4506.7	2493	3380.1	3878	5257.9	2909	3943.4	8310	11266.8	6233	8450.1

### SOCKET HEAD BOLTS

BOLT SIZE	THREAD PER INCH	GRADE 8			
		DRY		LUBRICATED	
		ft/lbs	Nm	ft/lbs	Nm
1/4	20	14	19.0	10	13.6
1/4	28	16	21.7	12	16.3
5/16	18	29	39.3	22	29.8
5/16	24	32	43.4	24	32.5
3/8	16	51	69.1	28	38.0
3/8	24	58	78.6	43	58.3
7/16	14	81	109.8	61	82.7
7/16	20	91	123.4	68	92.2
1/2	13	124	168.1	93	126.1
1/2	20	140	189.8	105	142.4
5/8	11	238	322.7	179	242.7
5/8	18	270	366.1	202	273.9
3/4	10	423	573.5	317	429.8
3/4	16	472	639.9	354	480.0

### LAG BOLTS

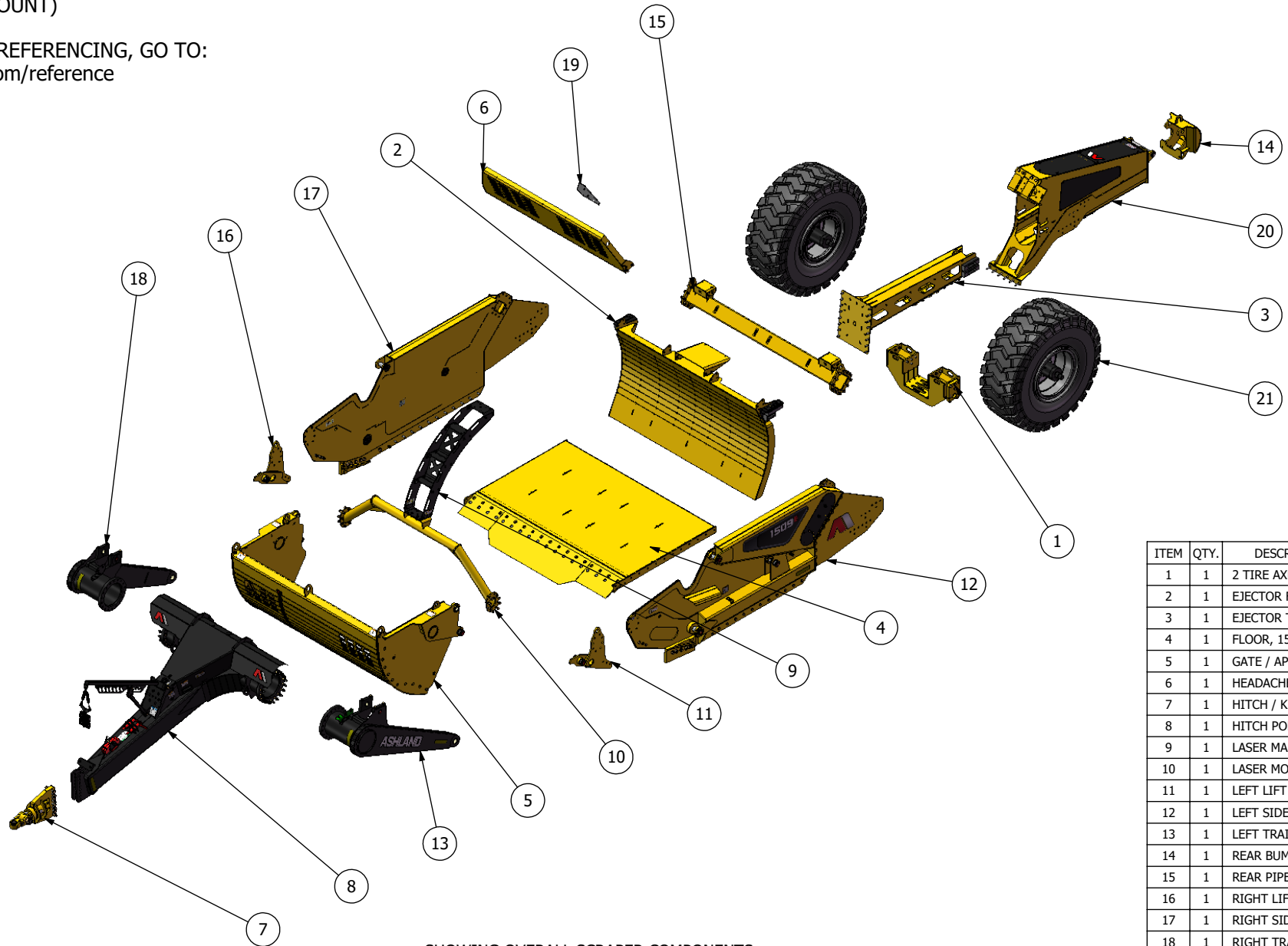
BOLT SIZE	THREAD PER INCH	GRADE 2	
		DRY	
		ft/lbs	Nm
5/8	5	50	67.8

# SECTION 1.00

## STRUCTURAL

1509 STRUCTURAL BREAKDOWN  
(2 TIRE DIRECT MOUNT)

FOR PART CROSS REFERENCING, GO TO:  
[www.ashlandind.com/reference](http://www.ashlandind.com/reference)



ITEM	QTY.	DESCRIPTION
1	1	2 TIRE AXLE BRIDGE
2	1	EJECTOR FACE
3	1	EJECTOR TAIL
4	1	FLOOR, 1509
5	1	GATE / APRON
6	1	HEADACHE RACK
7	1	HITCH / KNUCKLE
8	1	HITCH POLE
9	1	LASER MAST
10	1	LASER MOUNT
11	1	LEFT LIFT EAR
12	1	LEFT SIDE WALL
13	1	LEFT TRAILING ARM
14	1	REAR BUMPER
15	1	REAR PIPE
16	1	RIGHT LIFT EAR
17	1	RIGHT SIDE WALL
18	1	RIGHT TRAILING ARM
19	1	SMV SIGN
20	1	TAIL
21	2	WHEEL ASSEMBLY

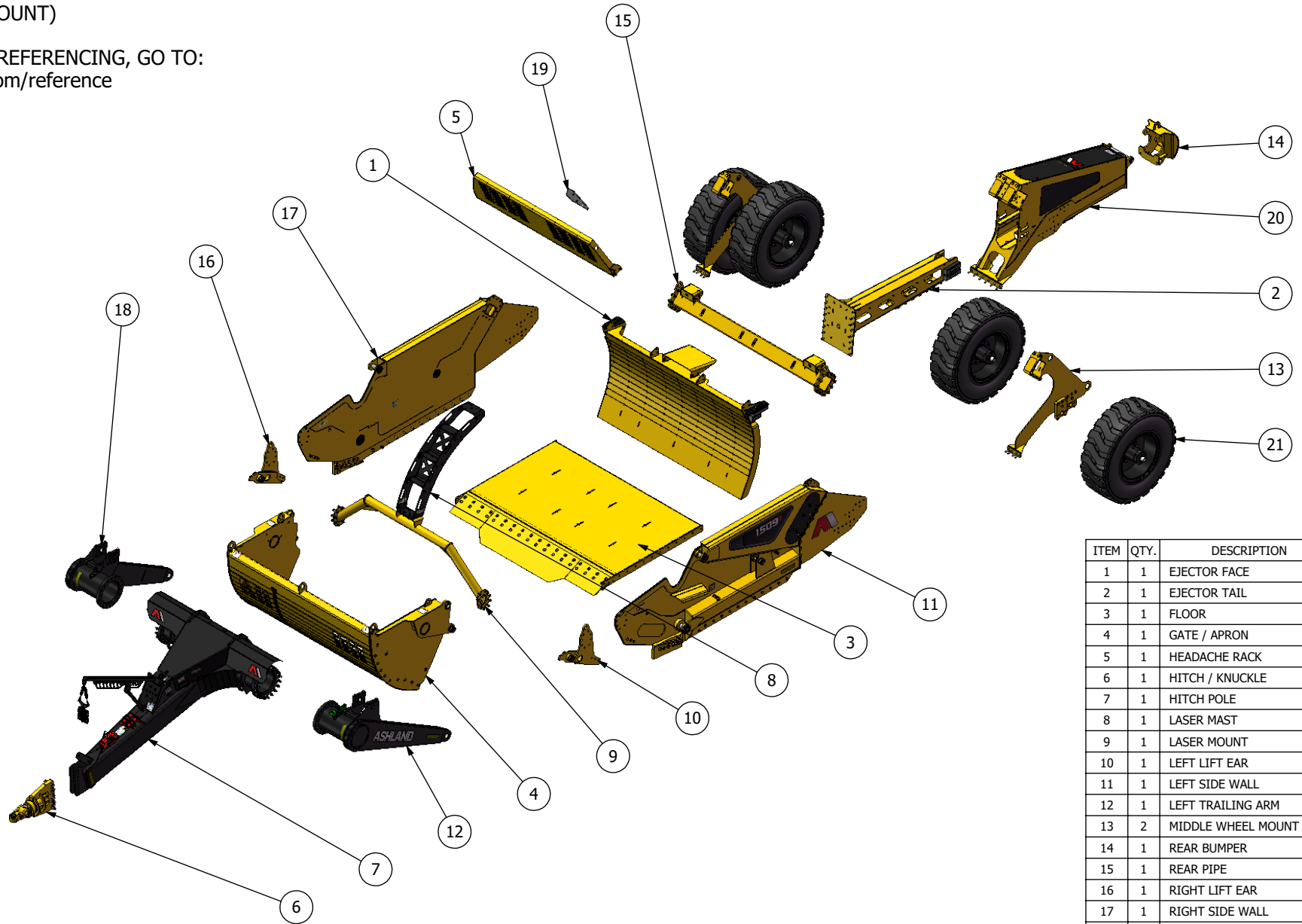
SHOWING OVERALL SCRAPER COMPONENTS.  
BE SURE TO REFERENCE YOUR MODEL SPECIFIC ASSEMBLY.

# SECTION 1.00

## STRUCTURAL

1509 STRUCTURAL BREAKDOWN  
(4 TIRE DIRECT MOUNT)

FOR PART CROSS REFERENCING, GO TO:  
[www.ashlandind.com/reference](http://www.ashlandind.com/reference)



SHOWING OVERALL SCRAPER COMPONENTS.  
BE SURE TO REFERENCE YOUR MODEL SPECIFIC ASSEMBLY.

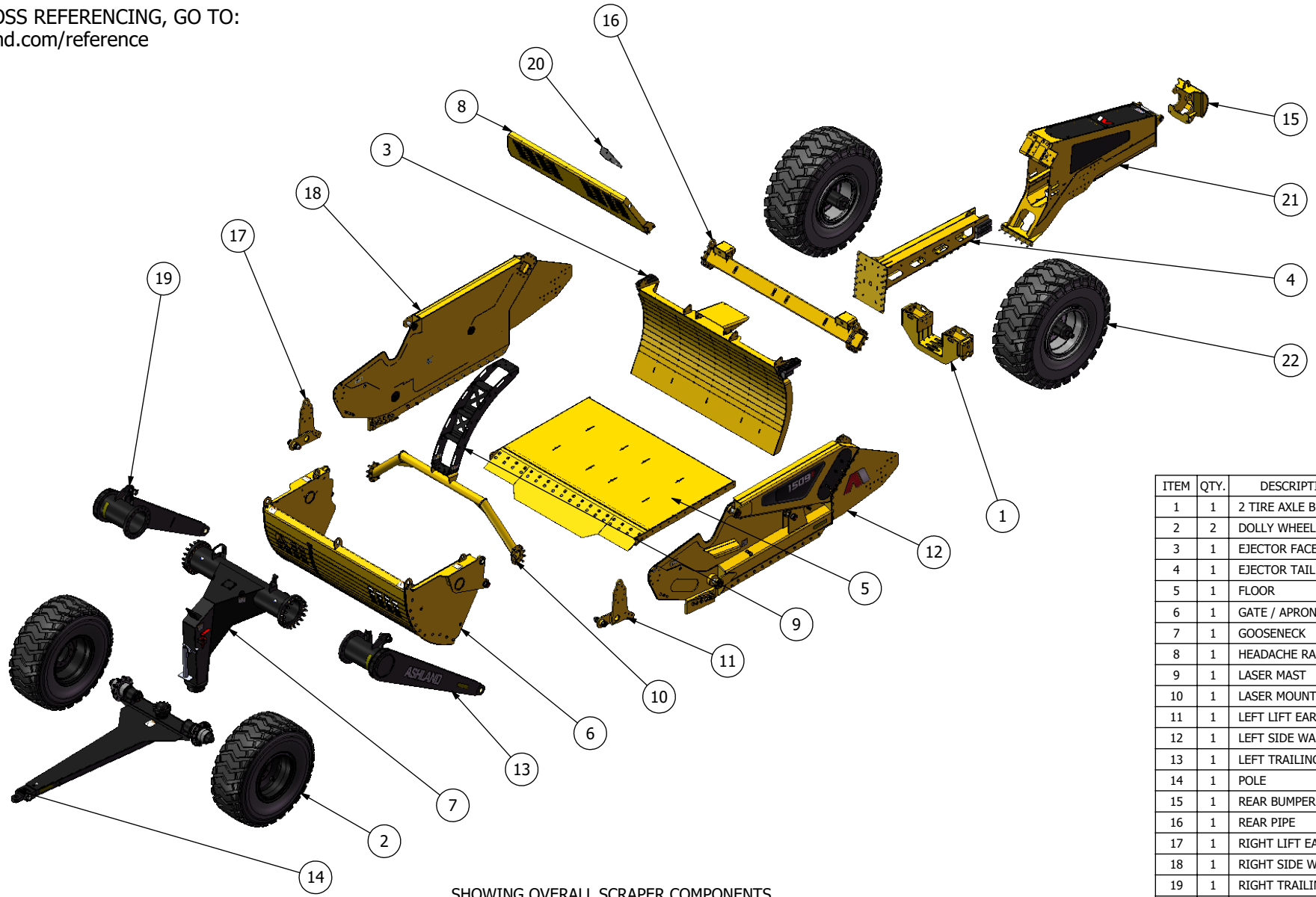
ITEM	QTY.	DESCRIPTION
1	1	EJECTOR FACE
2	1	EJECTOR TAIL
3	1	FLOOR
4	1	GATE / APRON
5	1	HEADACHE RACK
6	1	HITCH / KNUCKLE
7	1	HITCH POLE
8	1	LASER MAST
9	1	LASER MOUNT
10	1	LEFT LIFT EAR
11	1	LEFT SIDE WALL
12	1	LEFT TRAILING ARM
13	2	MIDDLE WHEEL MOUNT
14	1	REAR BUMPER
15	1	REAR PIPE
16	1	RIGHT LIFT EAR
17	1	RIGHT SIDE WALL
18	1	RIGHT TRAILING ARM
19	1	SMV SIGN
20	1	TAIL
21	4	WHEEL ASSEMBLY

# SECTION 1.00

## STRUCTURAL

1509 STRUCTURAL BREAKDOWN  
(4 TIRE DOLLY SCRAPER)

FOR PART CROSS REFERENCING, GO TO:  
[www.ashlandind.com/reference](http://www.ashlandind.com/reference)



SHOWING OVERALL SCRAPER COMPONENTS.  
BE SURE TO REFERENCE YOUR MODEL SPECIFIC ASSEMBLY.

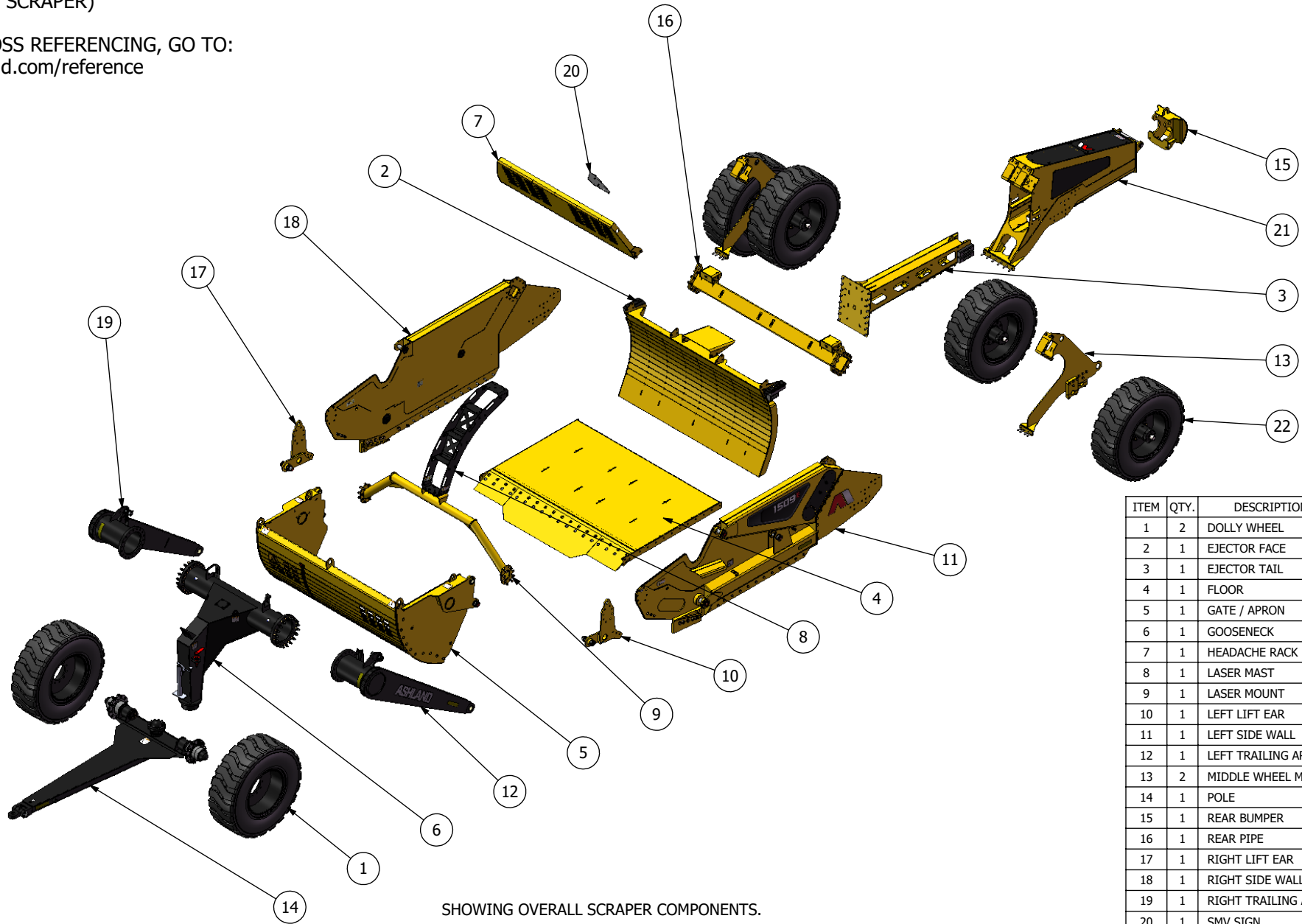
ITEM	QTY.	DESCRIPTION
1	1	2 TIRE AXLE BRIDGE
2	2	DOLLY WHEEL
3	1	EJECTOR FACE
4	1	EJECTOR TAIL
5	1	FLOOR
6	1	GATE / APRON
7	1	GOOSENECK
8	1	HEADACHE RACK
9	1	LASER MAST
10	1	LASER MOUNT
11	1	LEFT LIFT EAR
12	1	LEFT SIDE WALL
13	1	LEFT TRAILING ARM
14	1	POLE
15	1	REAR BUMPER
16	1	REAR PIPE
17	1	RIGHT LIFT EAR
18	1	RIGHT SIDE WALL
19	1	RIGHT TRAILING ARM
20	1	SMV SIGN
21	1	TAIL
22	2	WHEEL ASSEMBLY

# SECTION 1.00

## STRUCTURAL

1509 STRUCTURAL BREAKDOWN  
(6 TIRE DOLLY SCRAPER)

FOR PART CROSS REFERENCING, GO TO:  
[www.ashlandind.com/reference](http://www.ashlandind.com/reference)



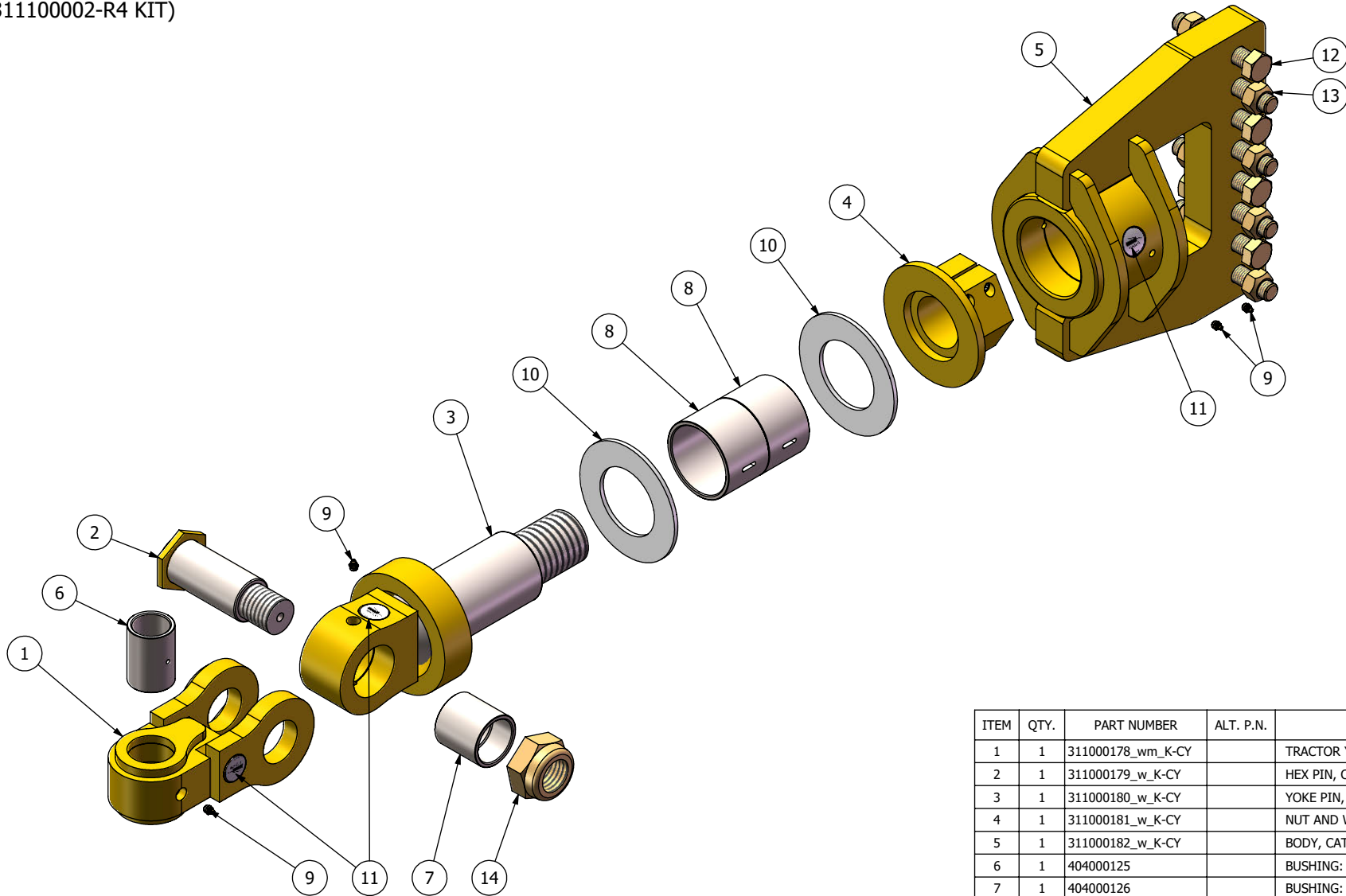
SHOWING OVERALL SCRAPER COMPONENTS.  
BE SURE TO REFERENCE YOUR MODEL SPECIFIC ASSEMBLY.

ITEM	QTY.	DESCRIPTION
1	2	DOLLY WHEEL
2	1	EJECTOR FACE
3	1	EJECTOR TAIL
4	1	FLOOR
5	1	GATE / APRON
6	1	GOOSENECK
7	1	HEADACHE RACK
8	1	LASER MAST
9	1	LASER MOUNT
10	1	LEFT LIFT EAR
11	1	LEFT SIDE WALL
12	1	LEFT TRAILING ARM
13	2	MIDDLE WHEEL MOUNT
14	1	POLE
15	1	REAR BUMPER
16	1	REAR PIPE
17	1	RIGHT LIFT EAR
18	1	RIGHT SIDE WALL
19	1	RIGHT TRAILING ARM
20	1	SMV SIGN
21	1	TAIL
22	4	WHEEL ASSEMBLY

# SECTION 1.01

## STRUCTURAL

1509 AG HITCH  
(311100002-R4 KIT)

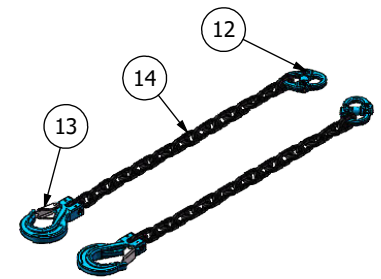
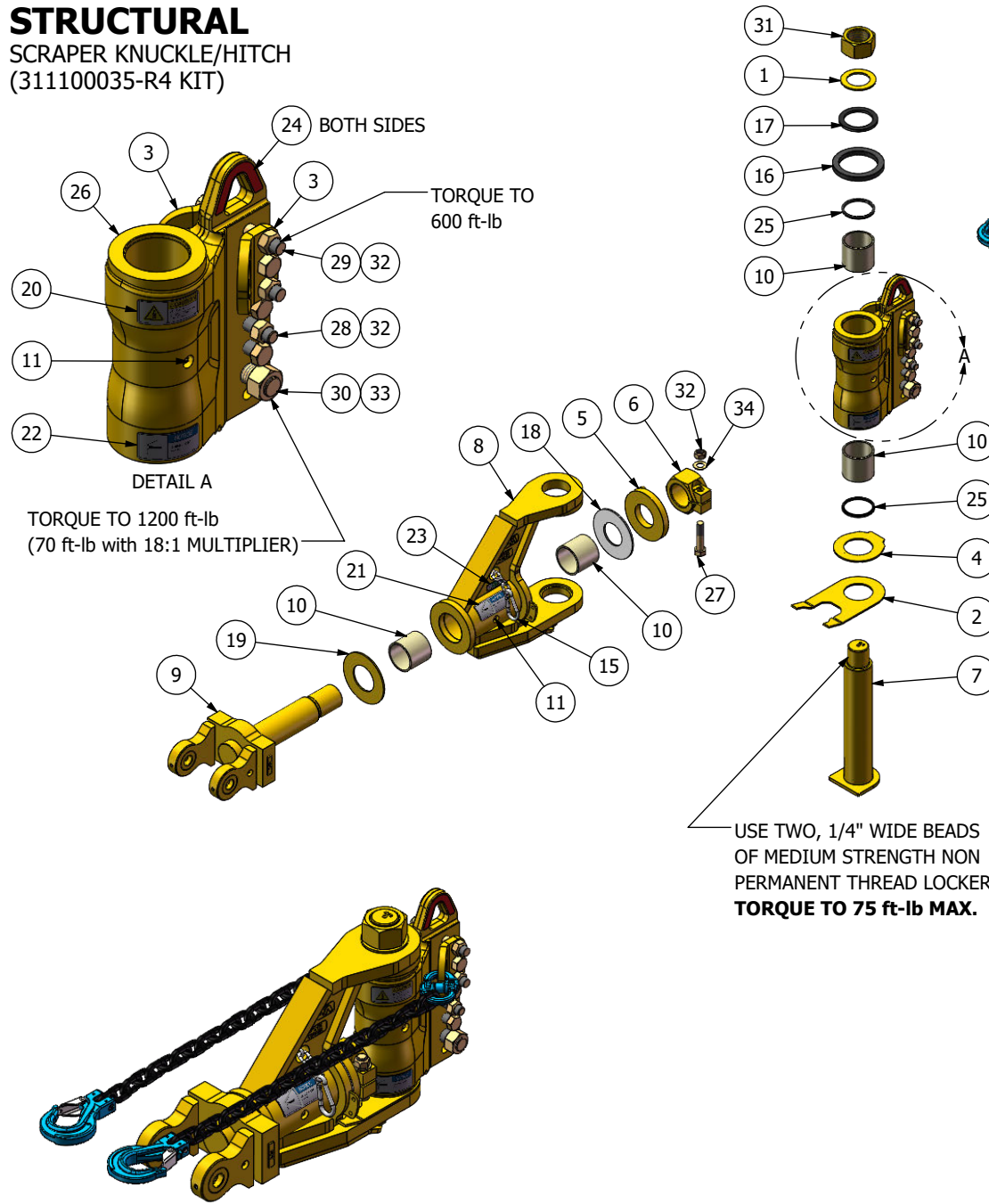


ITEM	QTY.	PART NUMBER	ALT. P.N.	DESCRIPTION
1	1	311000178_wm_K-CY		TRACTOR YOKE, CAT. 4 AG. HITCH
2	1	311000179_w_K-CY		HEX PIN, CAT. 4 AG. HITCH
3	1	311000180_w_K-CY		YOKE PIN, CAT. 4 AG. HITCH
4	1	311000181_w_K-CY		NUT AND WASHER, HD HITCH/CAT. 4 AG. HITCH
5	1	311000182_w_K-CY		BODY, CAT. 4 AG. HITCH
6	1	404000125		BUSHING: 2.5" X 2" X 3.5"
7	1	404000126		BUSHING: 3" X 2.5" X 3"
8	2	404000127		BUSHING: 4.5" X 4" X 3"
9	8	405000016	14505	1/8 NPT ZERK
10	2	409000113		POLY WASHER, HITCH
11	6	411000270		DECAL: GREASE POINT ROUND 1.625"
12	8	BLT8C_1x5_1-2		BOLT GR. 8 UNC 1" x 5-1/2"
13	8	NUT8C_1_STL	AFN-00037	STOVER NUT: 1" UNC
14	1	NUT8F_2_STL (12 TPI)		NUT GR. 8 UNF 2"-12 TPI STOVER LOCK

# SECTION 1.01

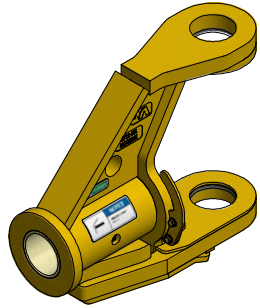
## STRUCTURAL

SCRAPER KNUCKLE/HITCH  
(311100035-R4 KIT)



ITEM	QTY.	PART NUMBER	ALT. P.N.	DESCRIPTION
1	1	101001956_c_K-CY		VERTICAL PIN WASHER, K-TEC HITCH
2	1	101009914_cb_K-CYa		KNUCKLE THRUST WASHER, K-TEC HITCH
3	2	101010052_cvb_H-CY		SAFE CHAIN EAR, K-TEC HITCH
4	1	101011479_cm_K		Thrust Washer, Grooved
5	1	301000053_w_K-CY		WASHER WITH NUT KEEPER, K-TEC HITCH
6	1	301000054_wms_K-CY		YOKE NUT, K-TEC HITCH
7	1	301002676_w_K-CY		VERTICAL PIN, K-TEC HITCH
8	1	301002712_wm2K-CY		BODY, K-TEC HITCH
9	1	301003258_w_K-CY		AI SPACING / 1.5" YOKE, K-TEC HITCH
10	4	404000009		POLY BUSHING: 4.00" ID X 4.50" OD X 4.00"
11	2	405000016	14505	1/8 NPT ZERK
12	2	405500014		5/8" GR. 100 COUPLING LINK
13	2	405500015		SAFETY CHAIN HOOK, K-TEC HITCH
14	2	405500032		CHAIN GR. 100 21 LINKS, K-TEC HITCH
15	1	405500037		Safety Chain Hanger
16	1	409000021		SEAL .75"-7.25" OD-5.50" ID
17	1	409000022		SEAL .375"- 5.50" OD- 4.06" ID
18	1	409000034		THRUST WASHER .25"- 7.75" OD - 3.50" ID
19	1	409000100		THRUST WASHER .0250" x 8.00" OD x 4.063" ID
20	1	411000041		DECAL CAUTION LIFT POINT
21	1	411000046		DECAL NOTICE GREASE POINT
22	1	411000046		DECAL NOTICE GREASE POINT
23	1	411000102		DECAL TIE-DOWN
24	2	411000456		Decal - Lift Hook Highlight
25	2	422000003		SEAL: 4" PIN
26	1	423000125		Vertical Bushing
27	1	BLT8C_1x4_1-2	AFB-00194	BOLT GR. 8 UNC 1" X 4-1/2"
28	3	BLT8C_1x5_1-2		BOLT GR. 8 UNC 1" x 5-1/2"
29	3	BLT8C_1x7	AFB-00096	BOLT GR. 8 UNC 1" X 7"
30	1	BLT8F_1_1-2x5_1-2		HHCS: 1.5 NC X 5.5
31	1	NUT2C_3_m_N-CY		NUT: GR 2. UNC 3" MACHINED AND PAINTED
32	7	NUT8C_1_STL	AFN-00037	STOVER NUT: 1" UNC
33	1	NUT8F_1_1-2		NUT: 1.5 NF
34	1	WSH8_1_STR	AFW-00011	1" STRUCTURAL WASHER

# SECTION 1.01 KITS

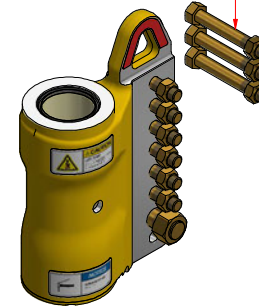


301100100-R3 Kit	
QTY	DESCRIPTION
4	Bolt Gr. 8 UNC 3/8" x 1-1/4"
2	Comp Bushing 4.00" ID x 4.50" OD x 4.00"
1	Decal - Notice Grease Daily
1	Decal - Safety Tie Down
2	Knuckle, Chain Keeper
1	Knuckle, Sub-weldment
1	Knuckle, Thrust Washer
4	Nut Gr. 8 UNC 3/8" Stover Lock
1	Seal .375"- 5.50" OD- 4.06" ID
1	Seal .75"-7.25" OD-5.50" ID
1	Seal 4" Pin
8	Washer Gr. 8 - 3/8" Structural

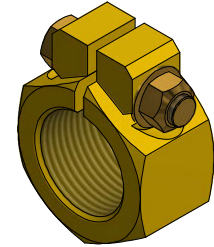


301100103-R1 Kit	
QTY	DESCRIPTION
1	Nut Gr. 2 UNC 3" Machined and Painted
1	Pin Vertical_4" (PG shaft induction hardend)
1	Washer_knuckle_vert_pin

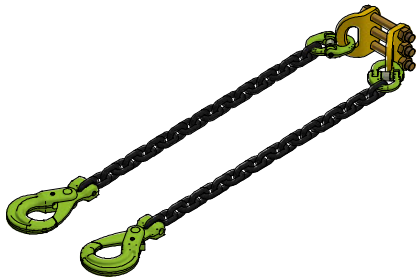
IF YOU HAVE SAFETY CHAINS, USE LONGER INCLUDED BOLTS.



301100104-R5 Kit	
QTY	DESCRIPTION
6	Bolt Gr. 8 UNC 1" x 5-1/2"
3	Bolt Gr. 8 UNC 1" x 7"
1	Bolt Gr. 8 UNF 1-1/2" x 5-1/2"
2	Comp Bushing 4.00" ID x 4.50" OD x 4.00"
1	Decal - Caution Lift Point
2	Decal - Lift Hook Highlight
1	Decal - Notice Grease Daily
9	Nut Gr. 8 UNC 1" Stover Lock
1	Nut Gr. 8 UNF 1-1/2"
1	Seal 4" Pin
1	Thrust Washer, Grooved
1	Vertical Bushing



301100248-R1 Kit	
QTY	DESCRIPTION
1	Bolt Gr. 8 UNC 1" x 4-1/2"
1	Nut Gr. 8 UNC 1" Stover Lock
1	Thrust Nut (Knuckle)
1	Washer Gr. 8 - 1" Structural



21 LINK SAFETY CHAINS

301100268-R2 Kit	
QTY	DESCRIPTION
2	5/8" Grade 100 Clevis Self-Locking Hook
2	5/8" Grade 100 Coupling Link
3	Bolt Gr. 8 UNC 1" x 7"
2	Chain Grade 100 5/8" 21 Links
2	Knuckle_Safety Chain Ear
3	Nut Gr. 8 UNC 1" Stover Lock

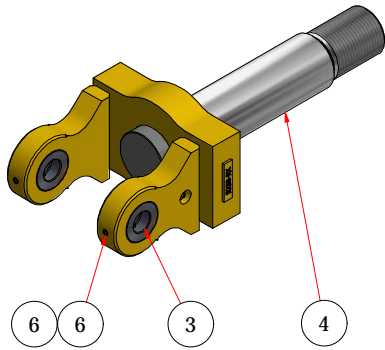


24 LINK SAFETY CHAINS

301100260-R3 Kit	
QTY	DESCRIPTION
2	5/8" Grade 100 Clevis Self-Locking Hook
2	5/8" Grade 100 Coupling Link
3	Bolt Gr. 8 UNC 1" x 7"
2	Chain Grade 100 5/8" 24 Links
2	Knuckle_Safety Chain Ear
3	Nut Gr. 8 UNC 1" Stover Lock

**SECTION 1.01 KITS**

**1.5" ASHLAND**

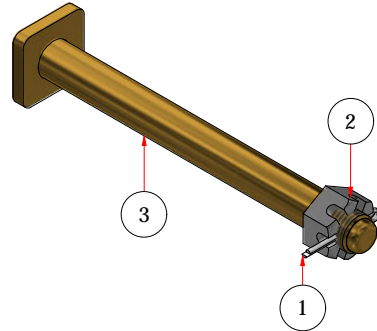


Pin Not Included, Sold Separately

**301003258-R4**

ITEM	QTY	PART NUMBER	REV	DESCRIPTION
4	1	201004500_sm_K	4	Shaft for AI Spaced K-Tec Yoke
3	2	211000217_smh_K	0	Yoke, Bushing 1.5" ID 3" OD
6	4	405000121	0	SSS CN 1/2-13 UNC x 5/8"

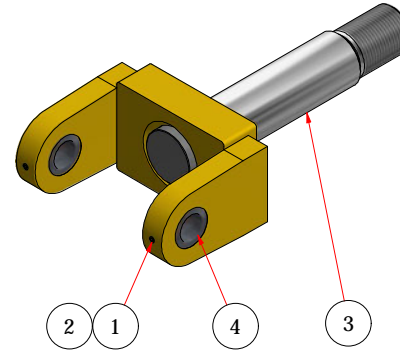
**1.5" ASHLAND PIN**



**311100010 Kit**

ITEM	QTY	PART NUMBER	REV	DESCRIPTION
1	1	405000002	0	Cotter Pin 1/4" x 3"
2	1	NUT5C_1_1-2 CSTL	0	Nut Gr. 5 UNF 1-1/2" Castle
3	1	311000171_w_PIN	0	PIN ASSY, HITCH 4-EAR

**2" K-TEC**

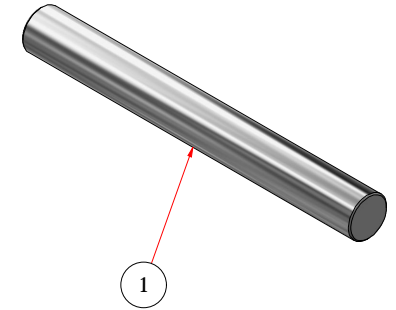


Pin Not Included, Sold Separately

**301004500-R3**

ITEM	QTY	PART NUMBER	REV	DESCRIPTION
1	2	405000121	0	SSS CN 1/2-13 UNC x 5/8"
2	2	405000122	0	SetScrew 1/2-13 UNC x 3/4" L
3	1	201004500_sm_K	4	Shaft_knuckle longitudinal
4	2	201004041_smh_K	0	Yoke, K-Tec Bushing

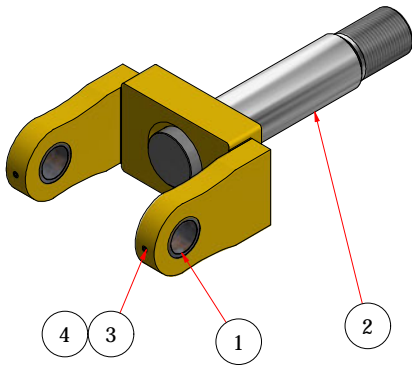
**2" K-TEC PIN**  
(ONLY USED WITH K-TEC DRAWBARS)



**205001668-R1**

ITEM	QTY	PART NUMBER	REV	DESCRIPTION
1	1	205001668_s	1	Pin K-Tec Yoke 2" x 17.25"

**60mm JD**

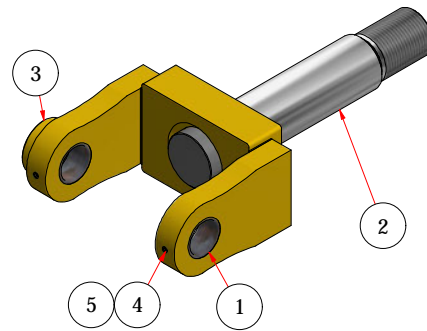


Pin Not Included, Supplied By Customer

**301003261-R4**

ITEM	QTY	PART NUMBER	REV	DESCRIPTION
15	2	101011400_cm_K	0	Ear_knuckle_yoke
1	2	201001950_smh3K	2	Yoke, JD 60mm Bushings
2	1	201004500_sm_K	4	Shaft_knuckle longitudinal
3	2	405000121	0	SSS CN 1/2-13 UNC x 5/8"
4	2	405000122	0	SetScrew 1/2-13 UNC x 3/4" L

**65mm JD**

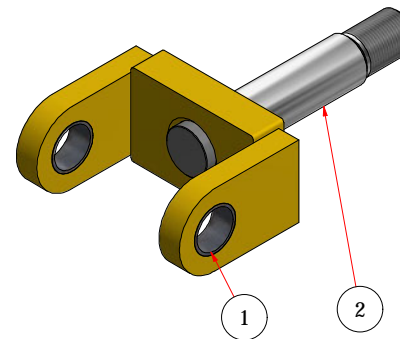


Pin Not Included, Supplied By Customer

**301100249-R3 Kit (301003260 Yoke)**

ITEM	QTY	PART NUMBER	REV	DESCRIPTION
1	2	201001939_smh3K	2	Yoke, JD 65mm Bushings
2	1	201004500_sm_K	4	Shaft_knuckle longitudinal
3	1	205050002_sm-CY	1	J.D 65mm pin spacer
4	2	405000121	0	SSS CN 1/2-13 UNC x 5/8"
5	2	405000122	0	SetScrew 1/2-13 UNC x 3/4" L

**3.5" MTS/EJECT**



Pin Not Included, Supplied By Customer

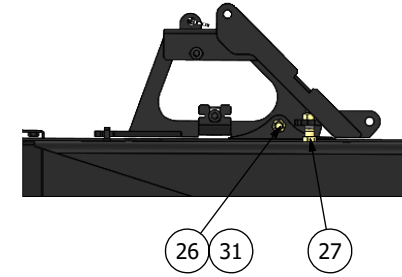
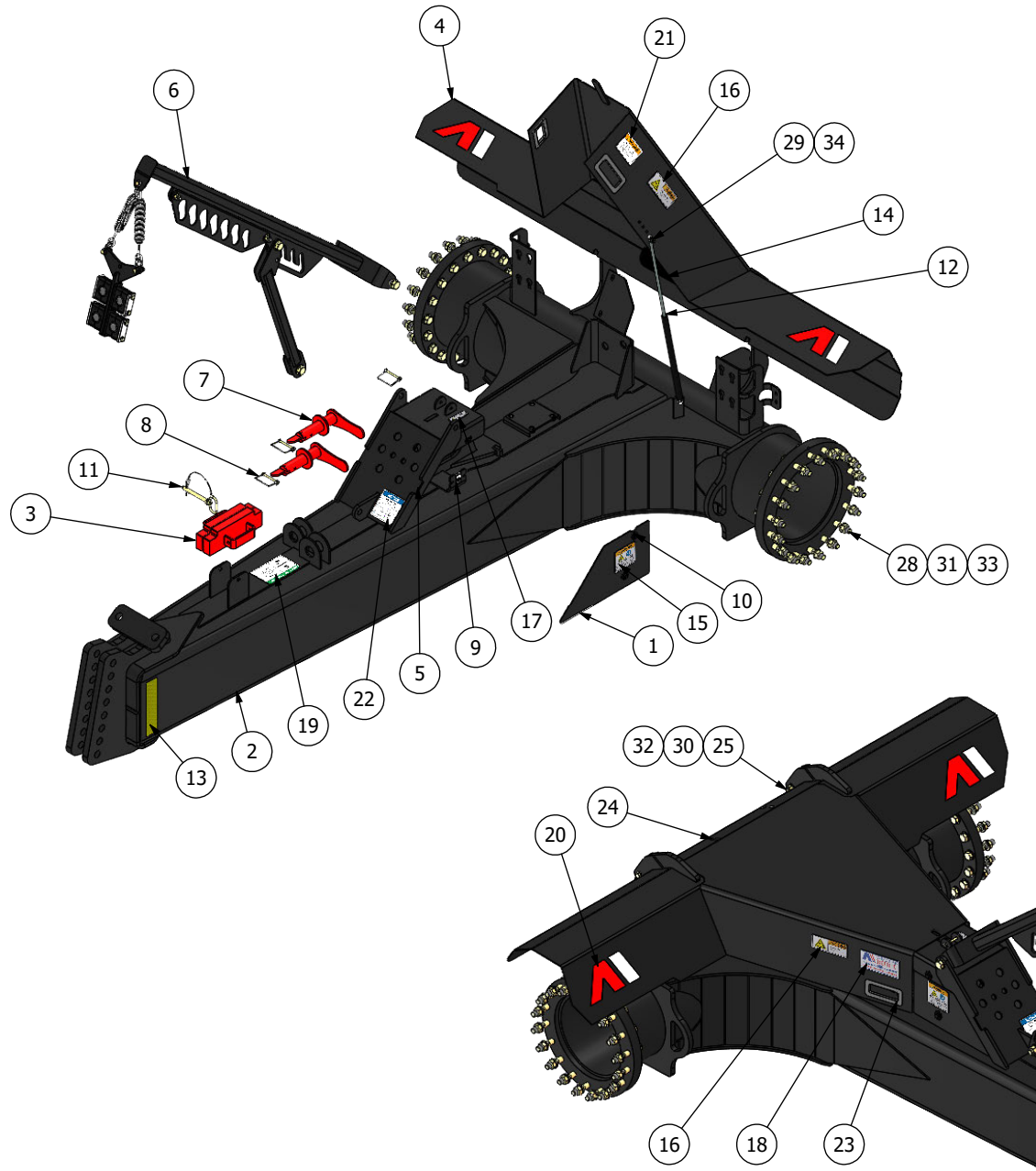
**301003259-R2**

ITEM	QTY	PART NUMBER	REV	DESCRIPTION
1	2	201002114_smh_K	1	HT Wear Bushing Eject Yoke
2	1	201004500_sm_K	4	Shaft_knuckle longitudinal

# SECTION 1.02

## STRUCTURAL

1509 DIRECT MOUNT HITCHPOLE  
(311001215\_H)

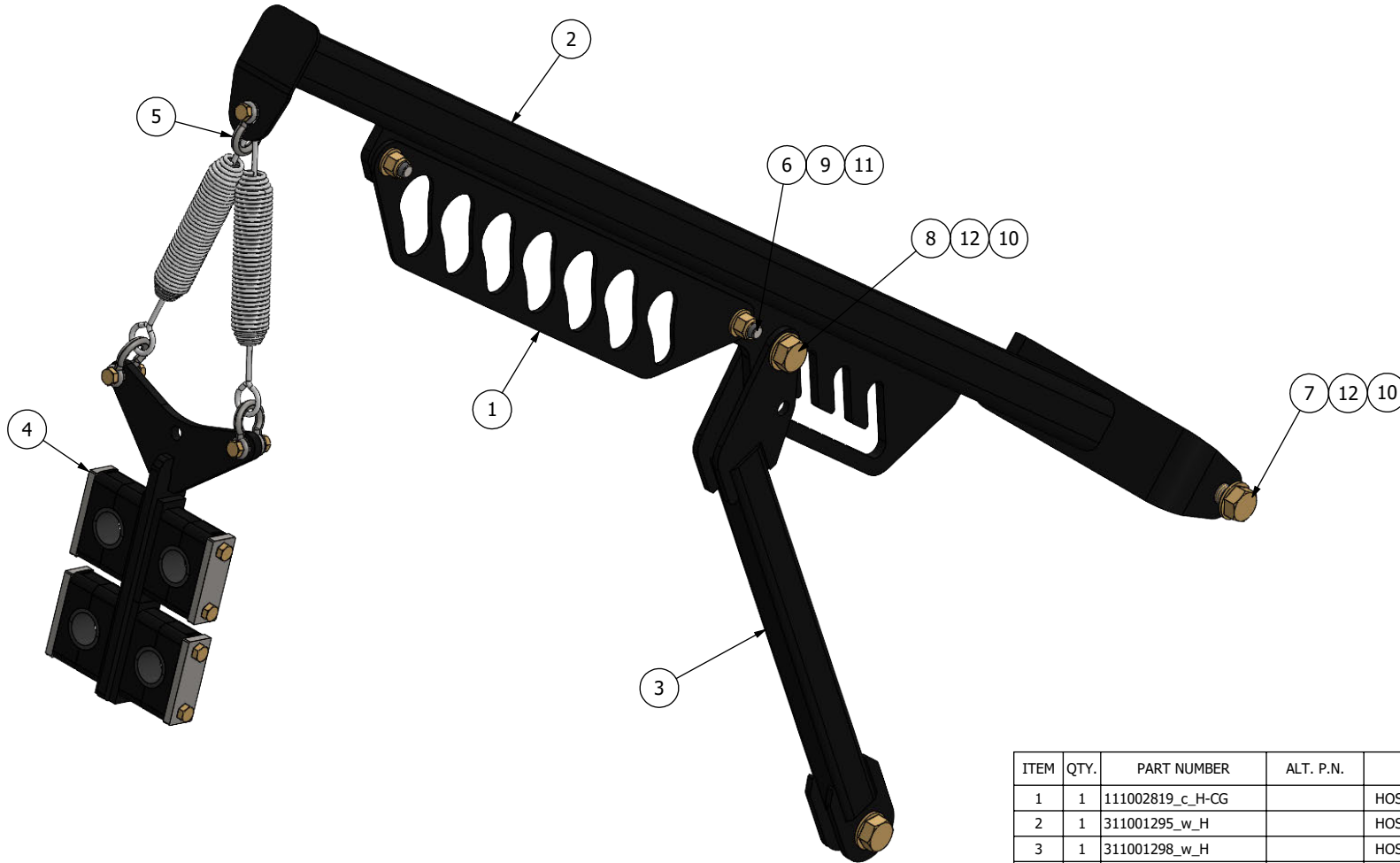


ITEM	QTY.	PART NUMBER	ALT. P.N.	DESCRIPTION
1	2	111002839_c_H-CG		BULKHEAD SIDE GUARD, POLE, 1509
2	1	311001215_w_H		DIRECT MOUNT POLE, 1509
3	2	311001293_w_H-SR		TRANSPORT LOCK, 1509
4	1	311001294_w_H-CG		HOOD, 1509
5	1	311001296_w_H-CG		BULKHEAD 1509
6	1	311001361_A_H		HOSE HANGER, 1509
7	2	311000220_a_PIN		APRON LOCK PIN
8	3	405000012		SQR SNAPPER PIN, 1/4" (2.5" USEABLE)
9	4	405000041		EXTRUDED U NUT, 3/8"-16
10	4	405000101		3/8-16 X 1-1/2 HEX HEAD BODY BOLT
11	1	405000156		1/2" X 4" HITCH PIN
12	1	405220003		150LB GAS SPRING
13	2	411000004		DECAL - REFLECTIVE TAPE, YELLOW
14	1	411000029		MANUAL HOLDER
15	2	411000040	750464	DECAL - WARNING HIGH-PRESSURE HYD
16	2	411000064		DECAL WARNING - FALL HAZARD
17	1	411000097		DECAL PINCH HAZARD
18	1	411000277	ADS-00069	DECAL AMERICAN BUILT
19	1	411000355	ADS-00047	DECAL SAFETY LOCK INSTRUCTIONS
20	2	411000373		DECAL - AI LOGO MEDIUM
21	1	411000413		DECAL - RUNAWAY MACHINE
22	1	411000469		DECAL - 2 CIRCUIT & WALKING TANDEM HYD COLOR CODING
23	2	432000003		HANDLE GROMMET
24	3	BLT5C_5-16x3-4_CRG	AFB-00216	BLT5C_5-16x3-4_CRG
25	2	BLT8C_1-2x2_1-4	AFB-00100	BOLT GR. 8 UNC 1/2" X 2-1/4"
26	1	BLT8C_3-4x2	AFB-00037	BOLT GR. 8 UNC 3/4" X 2
27	2	BLT8C_3-4x2_1-2	AFB-00005	BOLT GR. 8 UNC 3/4" X 2-1/2"
28	36	BLT8C_3-4x4_1-2		BOLT GR. 8 UNC 3/4" X 4-1/2"
29	5	NUT5C_5-16_NYL		NUT GR. 5 UNC 5/16" NYLON LOCK
30	2	NUT8C_1-2_NYL	AFN-00078	NUT GR. 8 UNC 1/2" NYLON LOCK
31	37	NUT8C_3-4_STL	AFN-00062	STOVER NUT: 3/4" UNC
32	4	WSH8_1-2_STR	AFW-00044	WASHER GR. 8 - 1/2" STRUCTURAL
33	72	WSH8_3-4_STR	AFW-00042	WASHER GR. 8 - 3/4" STRUCTURAL
34	5	WSH8_5-16_STR	AFW-00012	WSH8_5-16_STR

## SECTION 1.02

### STRUCTURAL

1509 DIRECT MOUNT HOSE HANGER  
(311001361\_A\_H)

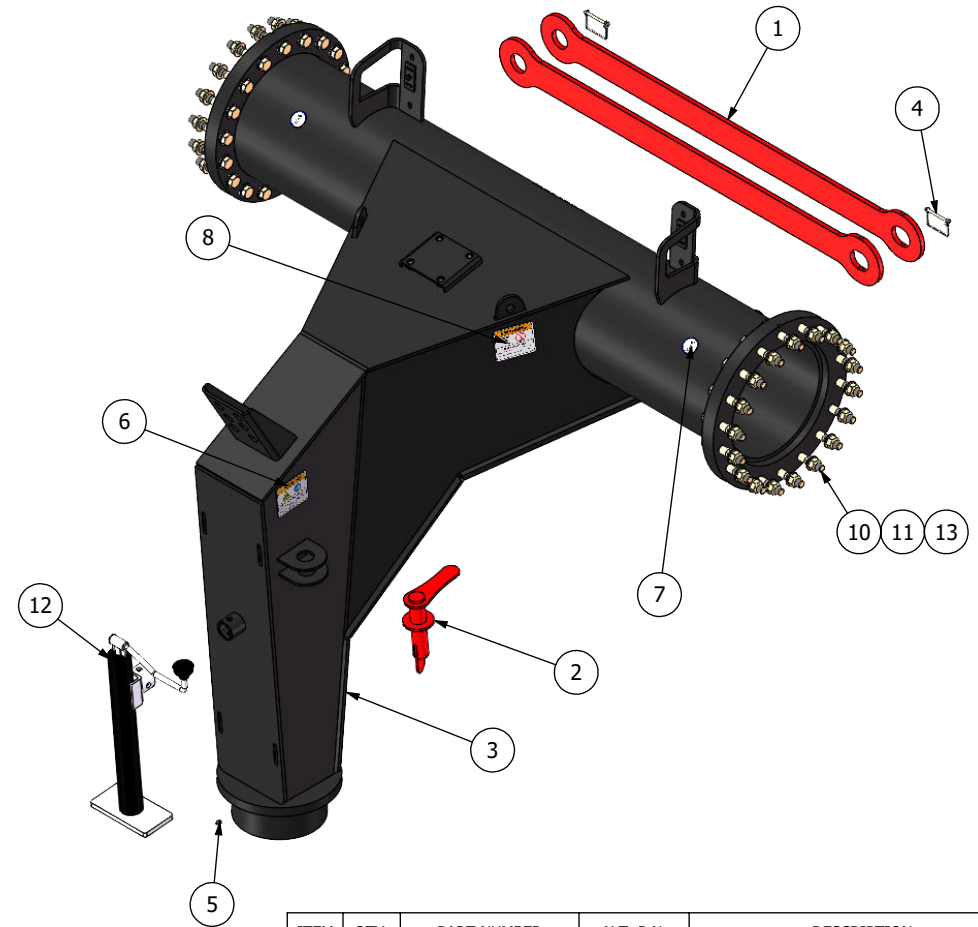
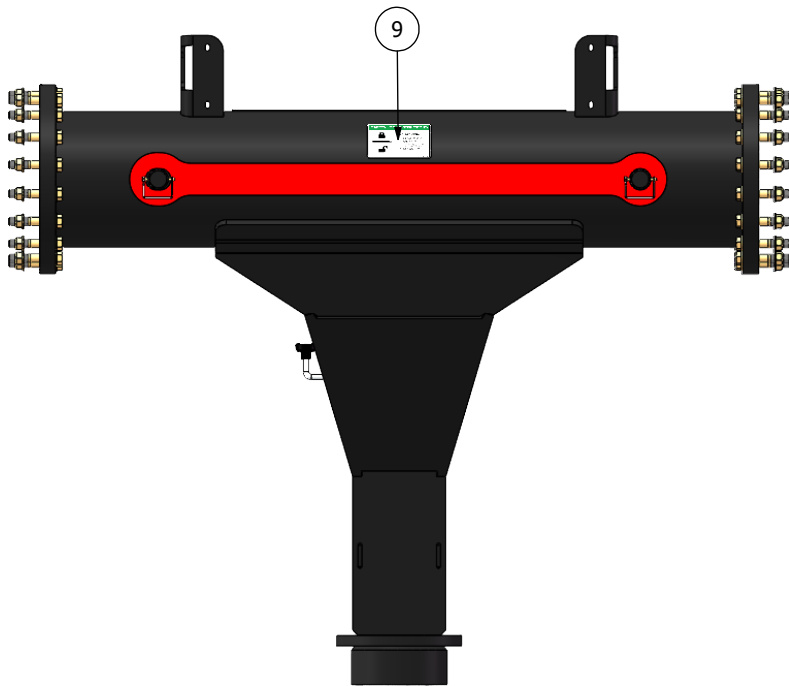


ITEM	QTY.	PART NUMBER	ALT. P.N.	DESCRIPTION
1	1	111002819_c_H-CG		HOSE HANGER PLATE 1509
2	1	311001295_w_H		HOSE HANGER, 1509
3	1	311001298_w_H		HOSE HANGER SUPPORT ROD, 1509
4	1	311001358_A_H		HOSE HANGER CLAMP BLOCK, 1509
5	1	405100075		SHACKLE 5/16" WITH BOLT & NUT
6	2	BLT5C_1-2x1_1-2_CRG		BOLT GR. 5 UNC 1/2" X 1-1/2" CARRIAGE
7	2	BLT8C_3-4x2	AFB-00037	BOLT GR. 8 UNC 3/4" X 2
8	2	BLT8C_3-4x2_1-2	AFB-00005	BOLT GR. 8 UNC 3/4" X 2-1/2"
9	2	NUT8C_1-2_NYL	AFN-00078	NUT GR. 8 UNC 1/2" NYLON LOCK
10	4	NUT8C_3-4_NYL	AFN-00046	NUT: GR 8.3/4" NYLOCK
11	2	WSH8_1-2_STR	AFW-00044	WASHER GR. 8 - 1/2" STRUCTURAL
12	6	WSH8_3-4_STR	AFW-00042	WASHER GR. 8 - 3/4" STRUCTURAL

## SECTION 1.02

### STRUCTURAL

1509 DOLLY GOOSENECK  
(311001242\_H)

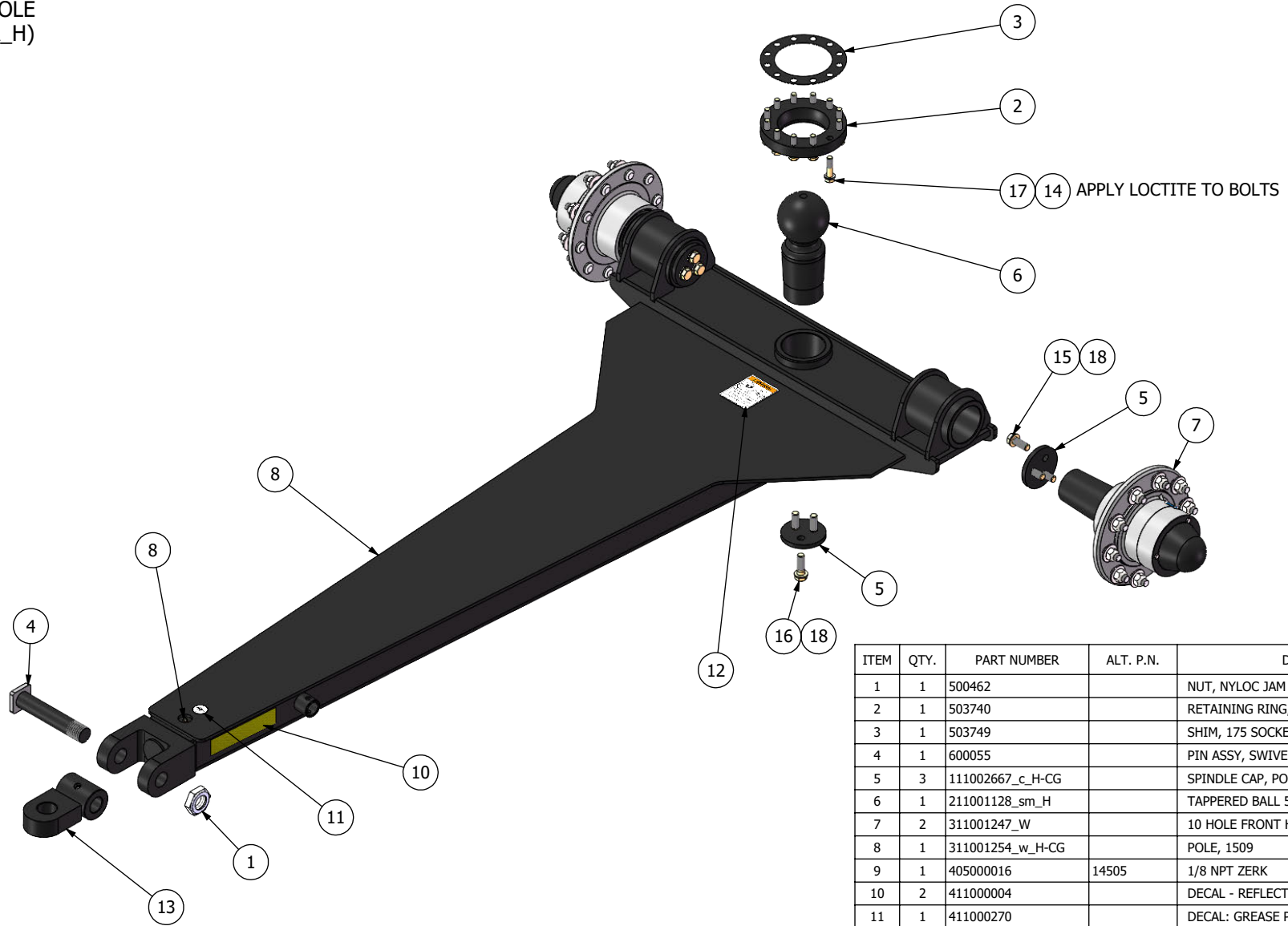


ITEM	QTY.	PART NUMBER	ALT. P.N.	DESCRIPTION
1	2	111002692_c_H-SR		TRANSPORT LOCK, DOLLY 1509
2	2	311000220_a_PIN		APRON LOCK PIN
3	1	311001242_w_H		GOOSENECK, 1509
4	2	405000012		SQR SNAPPER PIN, 1/4" (2.5" USEABLE)
5	1	405000016	14505	1/8 NPT ZERK
6	2	411000040	750464	DECAL - WARNING HIGH-PRESSURE HYD
7	2	411000281	ADS-00091	DECAL - LIFT POINT ROUND
8	2	411000353	ADS-00046	DECAL WARNING - NOT FOR LIFTING
9	1	411000355	ADS-00047	DECAL SAFETY LOCK INSTRUCTIONS
10	36	BLT8C_3-4x4_1-2		BOLT GR. 8 UNC 3/4" X 4-1/2"
11	36	NUT8C_3-4_STL	AFN-00062	STOVER NUT: 3/4" UNC
12	1	OPT-00001		JACK, HITCH
13	72	WSH8_3-4_STR	APW-00042	WASHER GR. 8 - 3/4" STRUCTURAL

# SECTION 1.02

## STRUCTURAL

1509 DOLLY POLE  
(311001227\_A\_H)

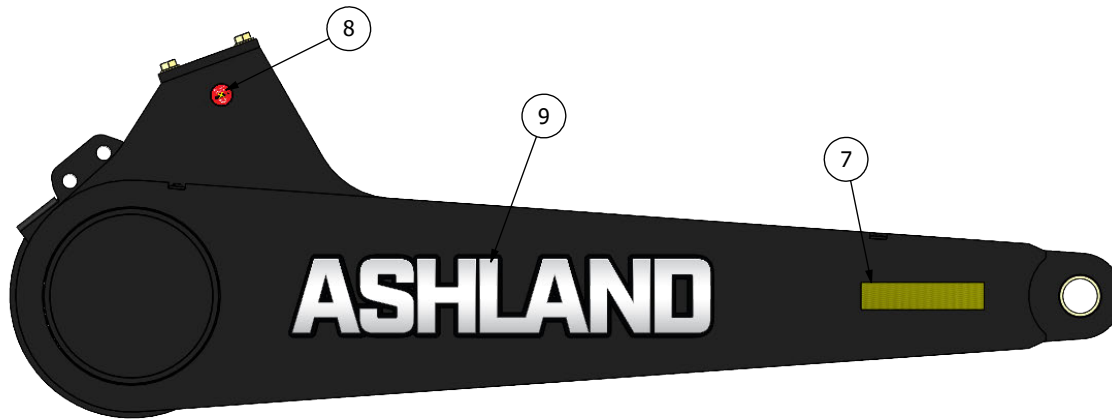
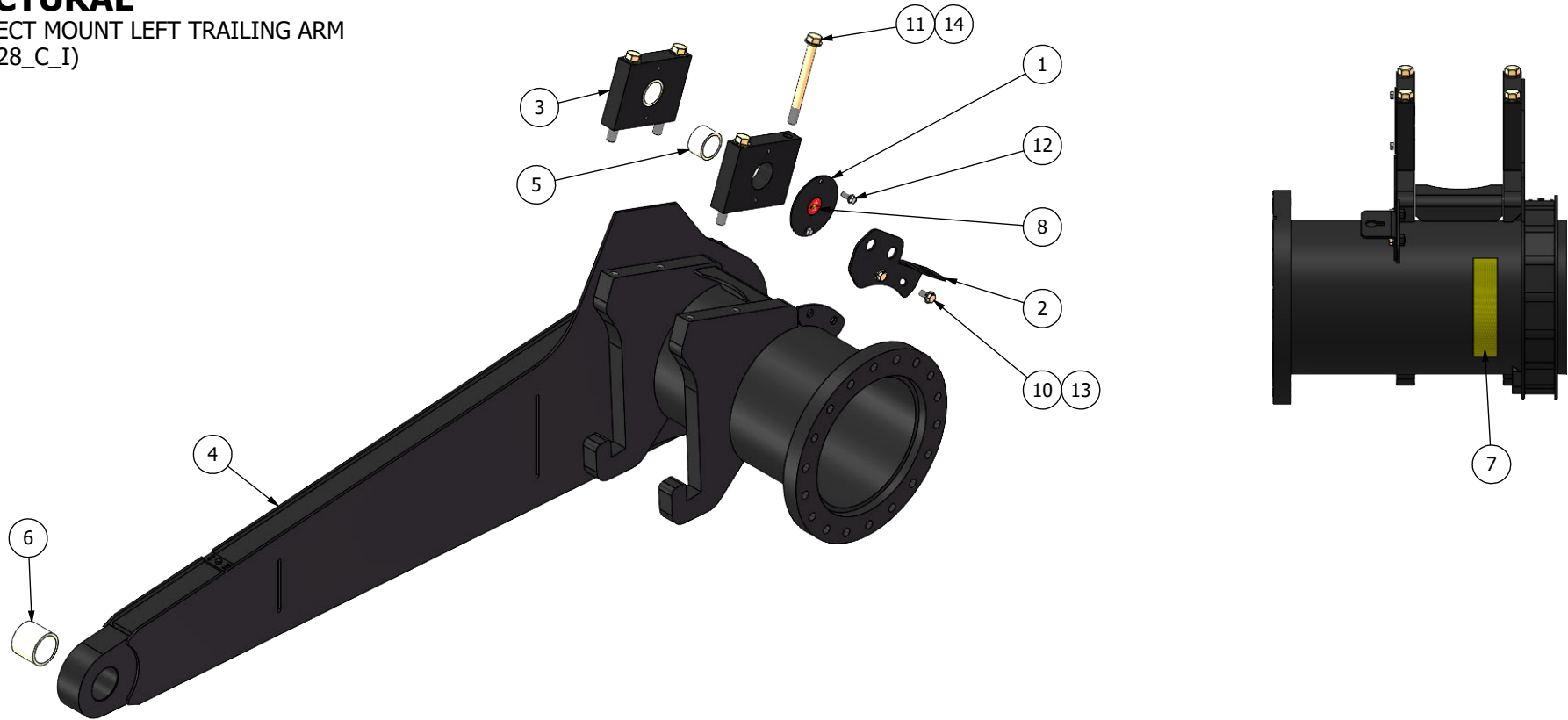


ITEM	QTY.	PART NUMBER	ALT. P.N.	DESCRIPTION
1	1	500462		NUT, NYLOC JAM 1.75-12
2	1	503740		RETAINING RING, 175 SOCKET BOX, 5.5" BALL
3	1	503749		SHIM, 175 SOCKET
4	1	600055		PIN ASSY, SWIVEL HITCH YOKE 13-17 YRD
5	3	111002667_c_H-CG		SPINDLE CAP, POLE, 1509
6	1	211001128_sm_H		TAPERED BALL 5.5", 1509 / 2011
7	2	311001247_W		10 HOLE FRONT HUB ASSEMBLY, 1509
8	1	311001254_w_H-CG		POLE, 1509
9	1	405000016	14505	1/8 NPT ZERK
10	2	411000004		DECAL - REFLECTIVE TAPE, YELLOW
11	1	411000270		DECAL: GREASE POINT ROUND 1.625"
12	1	411000417		DECAL - WARNING, MACHINERY HAZARD
13	1	A17510		SINGLE LIP HITCH ASSY, 13-17.5 YRD
14	12	AFW-00031		SPLIT LOCK WASHER: 5/8" ZINC
15	6	BLT8C_3-4x2	AFB-00037	BOLT GR. 8 UNC 3/4" X 2
16	3	BLT8C_3-4x2_1-2	AFB-00005	BOLT GR. 8 UNC 3/4" X 2-1/2"
17	12	BLT8C_5-8x2_1-2	AFB-00063	BOLT GR. 8 UNC 5/8" X 2-1/2"
18	9	WSH8_3-4_STR	AFW-00042	WASHER GR. 8 - 3/4" STRUCTURAL

## SECTION 1.03

### STRUCTURAL

1509 DIRECT MOUNT LEFT TRAILING ARM  
(311001328\_C\_I)

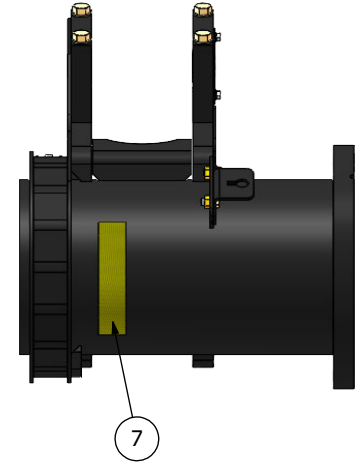
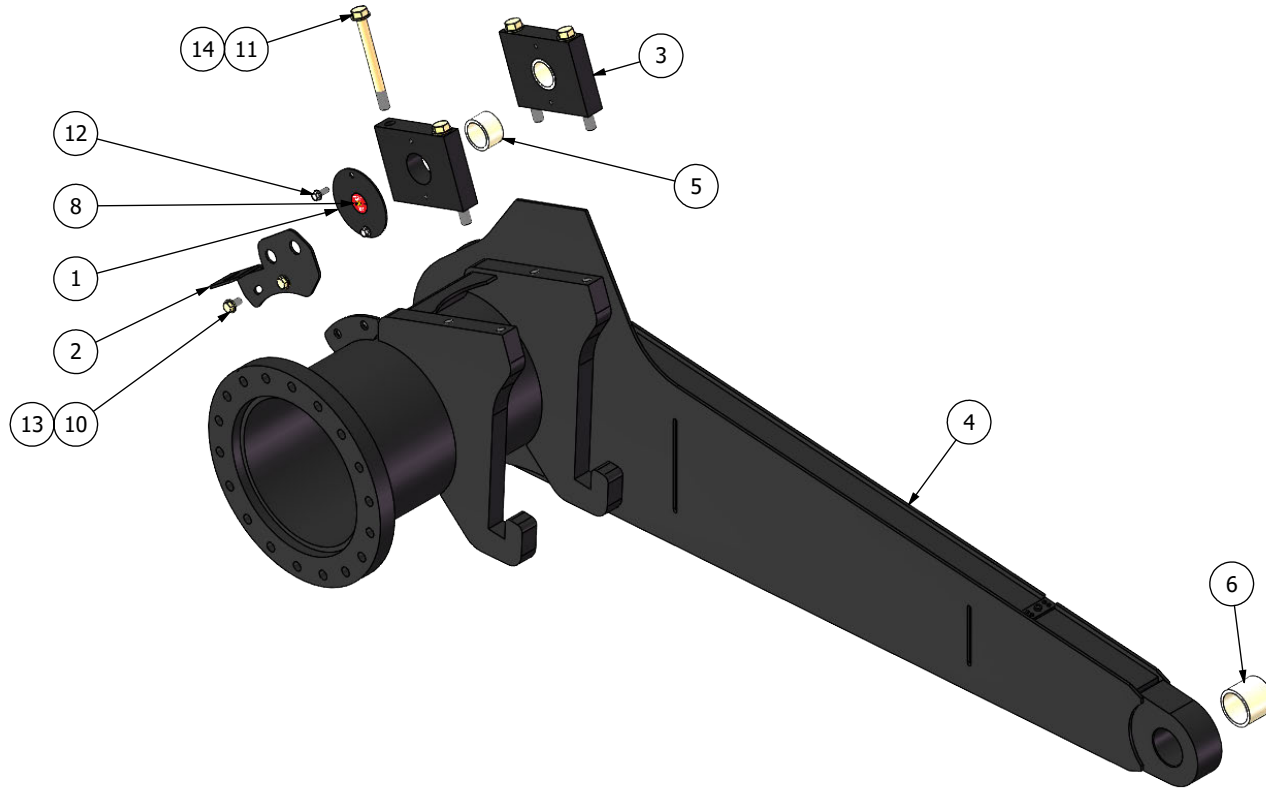


ITEM	QTY.	PART NUMBER	ALT. P.N.	DESCRIPTION
1	1	111000842_c_IJ-CG	504963	TRUNNION BLOCK COVER, 1812+
2	1	111003020_cb_I		LH TRAILING ARM BULKHEAD BRACKET, 1509
3	2	211001155_sm_IJ-CG		TRUNNION BLOCK, 1509
4	1	311001328_w_I		12" PIPE LH TRAILING ARM, 1509
5	2	404000006		POLY BUSHING: 2" ID, 2.5" OD, 1.5" LENGTH
6	1	404000158	400309	POLY BUSHING: 2.50" ID x 3.00" OD x 2.50"
7	2	411000004		DECAL - REFLECTIVE TAPE, YELLOW
8	2	411000278	ADS-00083	DECAL - GREASELESS POINT ROUND
9	1	411000474		Decal - Ashland Wordmark Large
10	2	BLT8C_1-2x1	AFB-00143	BOLT GR. 8 UNC 1/2" X 1"
11	4	BLT8C_3-4x7_1-2	AFB-00217	BOLT GR. 8 UNC 3/4" X 7-1/2"
12	2	BLT8C_3-8x1_FLG	AFB-00128	BOLT GR 5. 3/8" X 1" FLANGE
13	2	WSH8_1-2_STR	AFW-00044	WASHER GR. 8 - 1/2" STRUCTURAL
14	4	WSH8_3-4_STR	AFW-00042	WASHER GR. 8 - 3/4" STRUCTURAL

## SECTION 1.03

### STRUCTURAL

1509 DIRECT MOUNT RIGHT TRAILING ARM  
(311001329\_C\_J)



ITEM	QTY.	PART NUMBER	ALT. P.N.	DESCRIPTION
1	1	111000842_c_IJ-CG	504963	TRUNNION BLOCK COVER, 1812+
2	1	111003021_cb_J		RH TRAILING ARM BULKHEAD BRACKET, 1509
3	2	211001155_sm_IJ-CG		TRUNNION BLOCK, 1509
4	1	311001329_w_J		12" PIPE RH TRAILING ARM, 1509
5	2	404000006		POLY BUSHING: 2" ID, 2.5" OD, 1.5" LENGTH
6	1	404000158	400309	POLY BUSHING: 2.50" ID x 3.00" OD x 2.50"
7	2	411000004		DECAL - REFLECTIVE TAPE, YELLOW
8	2	411000278	ADS-00083	DECAL - GREASELESS POINT ROUND
9	1	411000474		Decal - Ashland Wordmark Large
10	2	BLT8C_1-2x1	AFB-00143	BOLT GR. 8 UNC 1/2" X 1"
11	4	BLT8C_3-4x7_1-2	AFB-00217	BOLT GR. 8 UNC 3/4" X 7-1/2"
12	2	BLT8C_3-8x1_FLG	AFB-00128	BOLT GR 5. 3/8" X 1" FLANGE
13	2	WSH8_1-2_STR	AFW-00044	WASHER GR. 8 - 1/2" STRUCTURAL
14	4	WSH8_3-4_STR	AFW-00042	WASHER GR. 8 - 3/4" STRUCTURAL

# SECTION 1.03

## STRUCTURAL

1509 DOLLY LEFT TRAILING ARM  
(311001222\_I)

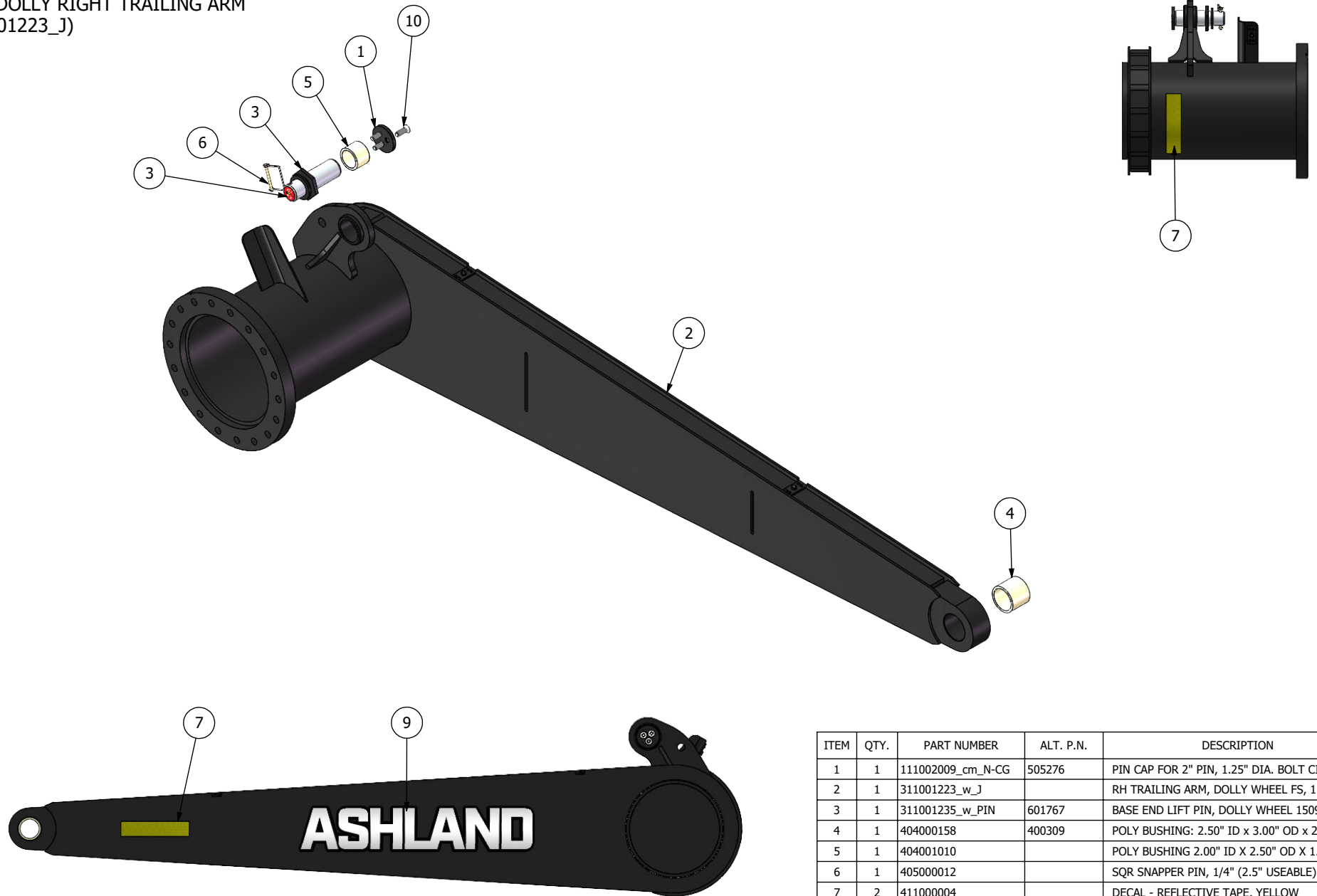


ITEM	QTY.	PART NUMBER	ALT. P.N.	DESCRIPTION
1	1	111002009_cm_N-CG	505276	PIN CAP FOR 2" PIN, 1.25" DIA. BOLT CIRCLE
2	1	311001222_w_I		LEFT TRAILING ARM, 1509
3	1	311001235_w_PIN	601767	BASE END LIFT PIN, DOLLY WHEEL 1509 / 2011
4	1	404000158	400309	POLY BUSHING: 2.50" ID x 3.00" OD x 2.50"
5	1	404001010		POLY BUSHING 2.00" ID X 2.50" OD X 1.75 LG
6	1	405000012		SQR SNAPPER PIN, 1/4" (2.5" USEABLE)
7	2	411000004		DECAL - REFLECTIVE TAPE, YELLOW
8	1	411000278	ADS-00083	DECAL - GREASELESS POINT ROUND
9	1	411000474		DECAL - ASHLAND WORDMARK LARGE
10	3	BLT8C_1-2x1_1-2 FHC	AFB-00185	BOLT GR. 8 UNC 1/2" X 1-1/2" FLAT SOCKET CAP

## SECTION 1.03

### STRUCTURAL

1509 DOLLY RIGHT TRAILING ARM  
(311001223\_J)

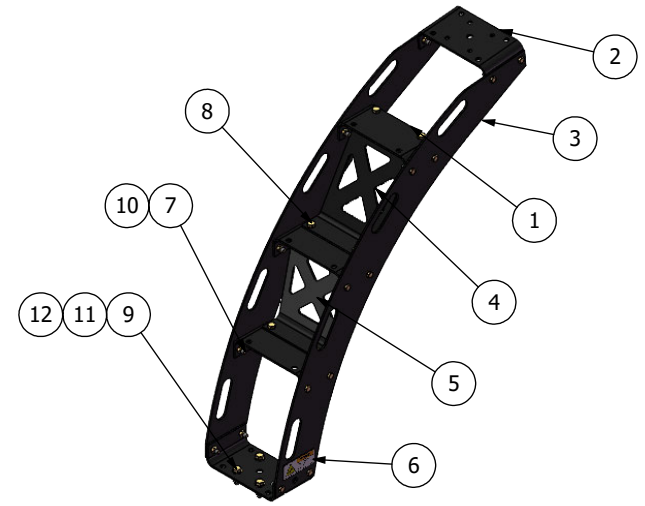
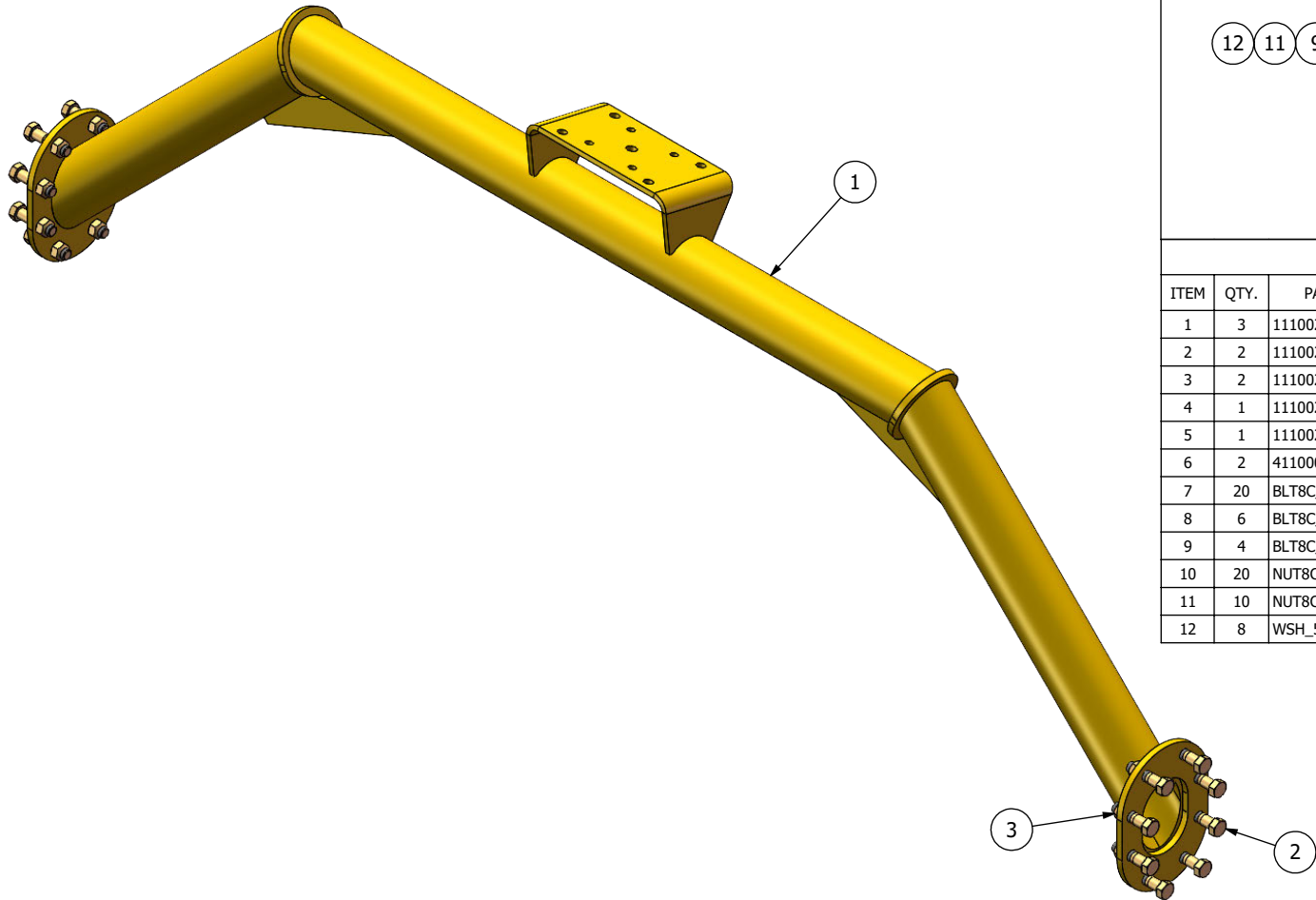


ITEM	QTY.	PART NUMBER	ALT. P.N.	DESCRIPTION
1	1	111002009_cm_N-CG	505276	PIN CAP FOR 2" PIN, 1.25" DIA. BOLT CIRCLE
2	1	311001223_w_J		RH TRAILING ARM, DOLLY WHEEL FS, 1509
3	1	311001235_w_PIN	601767	BASE END LIFT PIN, DOLLY WHEEL 1509 / 2011
4	1	404000158	400309	POLY BUSHING: 2.50" ID X 3.00" OD X 2.50"
5	1	404001010		POLY BUSHING 2.00" ID X 2.50" OD X 1.75 LG
6	1	405000012		SQR SNAPPER PIN, 1/4" (2.5" USEABLE)
7	2	411000004		DECAL - REFLECTIVE TAPE, YELLOW
8	1	411000278	ADS-00083	DECAL - GREASELESS POINT ROUND
9	1	411000474		DECAL - ASHLAND WORDMARK LARGE
10	3	BLT8C_1-2x1_1-2 FHC	AFB-00185	BOLT GR. 8 UNC 1/2" X 1-1/2" FLAT SOCKET CAP

# SECTION 1.04

## STRUCTURAL

1509 LASER MOUNT  
(311001207\_S\_L)



311100054 KIT

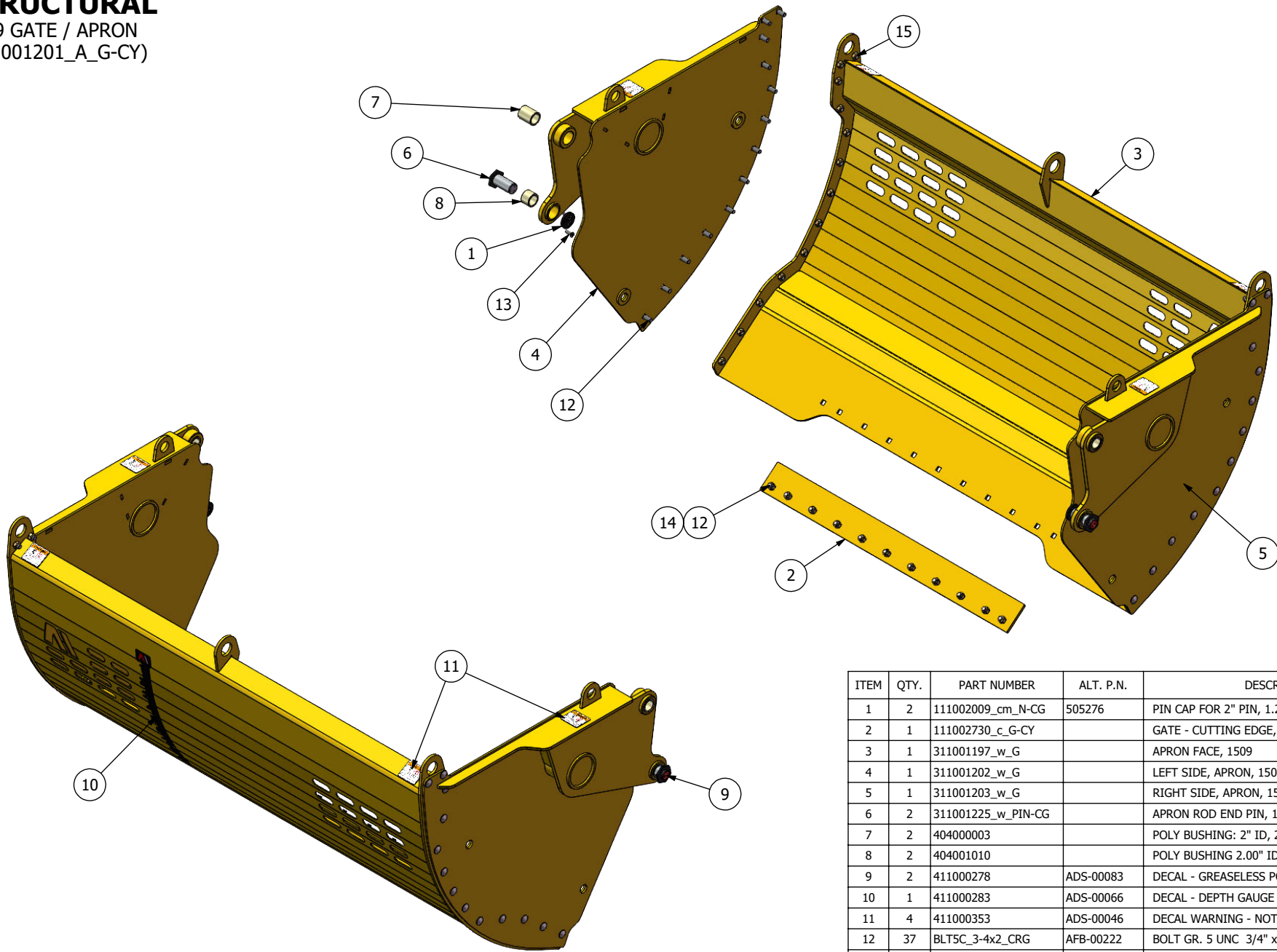
ITEM	QTY.	PART NUMBER	ALT. P.N.	DESCRIPTION
1	3	111002022_cb_L		RUNG, LASER MAST, 1812+
2	2	111002023_cb_L		MOUNTING PLATE, LASER MAST, 1812+
3	2	111002921_c_L		SIDE PLATE, LASER MAST, 1509
4	1	111002922_cb_L		TOP STIFFENER, LASER MAST, 1509
5	1	111002923_cb_L		BOTTOM STIFFENER, LASER MAST, 1509
6	2	411000360		DECAL - WARNING FALLING HAZARD
7	20	BLT8C_1-2x1_1-2	AFB-00015	BOLT: GR 8. UNC 1/2" X 1-1/2"
8	6	BLT8C_5-8x1_1-2		BOLT GR. 8 UNC 5/8" X 1-1/2"
9	4	BLT8C_5-8x2	AFB-00047	BOLT GR. 8 UNC 5/8" X 2"
10	20	NUT8C_1-2_NYL	AFN-00078	NUT GR. 8 UNC 1/2" NYLON LOCK
11	10	NUT8C_5-8_NYL	AFN-00081	NUT: GR. 8 UNC 5/8" NYLON LOCK
12	8	WSH_5-8_STR	AFW-00043	WASHER: GR. 8 - 5/8" STRUCTURAL

ITEM	QTY.	PART NUMBER	ALT. P.N.	DESCRIPTION
1	1	311001207_w_L	601749	LASER MOUNT, 1509
2	16	BLT8C_3-4x3	AFB-00064	BOLT GR. 8 UNC 3/4" X 3"
3	16	NUT8C_3-4_STL	AFN-00062	STOVER NUT: 3/4" UNC

# SECTION 1.05

## STRUCTURAL

1509 GATE / APRON  
(311001201\_A\_G-CY)

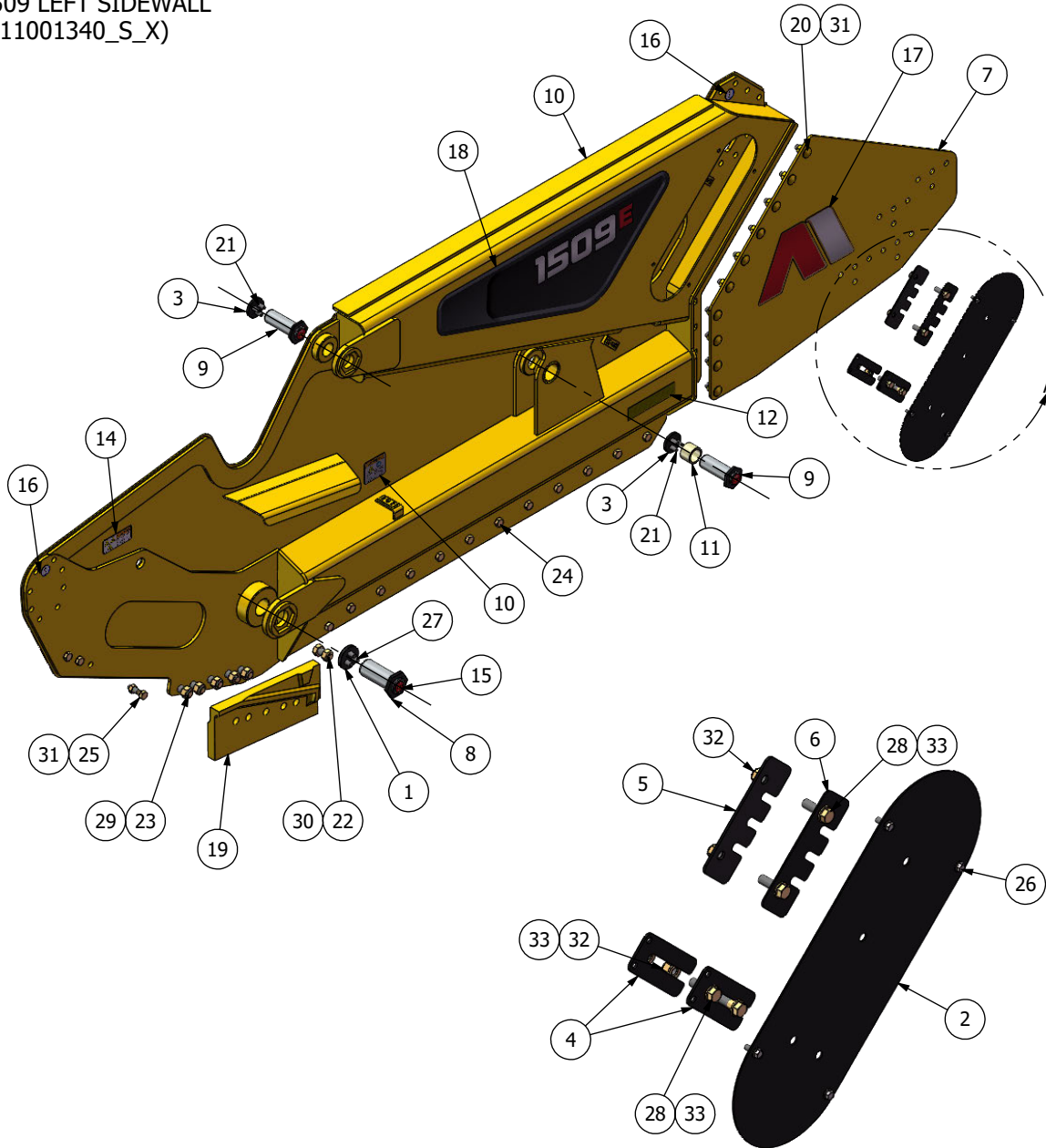


ITEM	QTY.	PART NUMBER	ALT. P.N.	DESCRIPTION
1	2	111002009_cm_N-CG	505276	PIN CAP FOR 2" PIN, 1.25" DIA. BOLT CIRCLE
2	1	111002730_c_G-CY		GATE - CUTTING EDGE, APRON, 1509
3	1	311001197_w_G		APRON FACE, 1509
4	1	311001202_w_G		LEFT SIDE, APRON, 1509 / 2011
5	1	311001203_w_G		RIGHT SIDE, APRON, 1509 / 2011
6	2	311001225_w_PIN-CG		APRON ROD END PIN, 1509
7	2	404000003		POLY BUSHING: 2" ID, 2.5" OD, 3" LENGTH
8	2	404001010		POLY BUSHING 2.00" ID X 2.50" OD X 1.75 LG
9	2	411000278	ADS-00083	DECAL - GREASELESS POINT ROUND
10	1	411000283	ADS-00066	DECAL - DEPTH GAUGE
11	4	411000353	ADS-00046	DECAL WARNING - NOT FOR LIFTING
12	37	BLT5C_3-4x2_CRG	AFB-00222	BOLT GR. 5 UNC 3/4" x 2" CARRIAGE
13	6	BLT8C_1-2x1_1-2_FHC	AFB-00185	BOLT GR. 8 UNC 1/2" X 1-1/2" FLAT SOCKET CAP
14	11	NUT8C_3-4_NYL	AFN-00046	NUT: GR 8.3/4" NYLOCK
15	26	NUT8C_3-4_STL	AFN-00062	STOVER NUT: 3/4" UNC

# SECTION 1.06

## STRUCTURAL

1509 LEFT SIDEWALL  
(311001340\_S\_X)



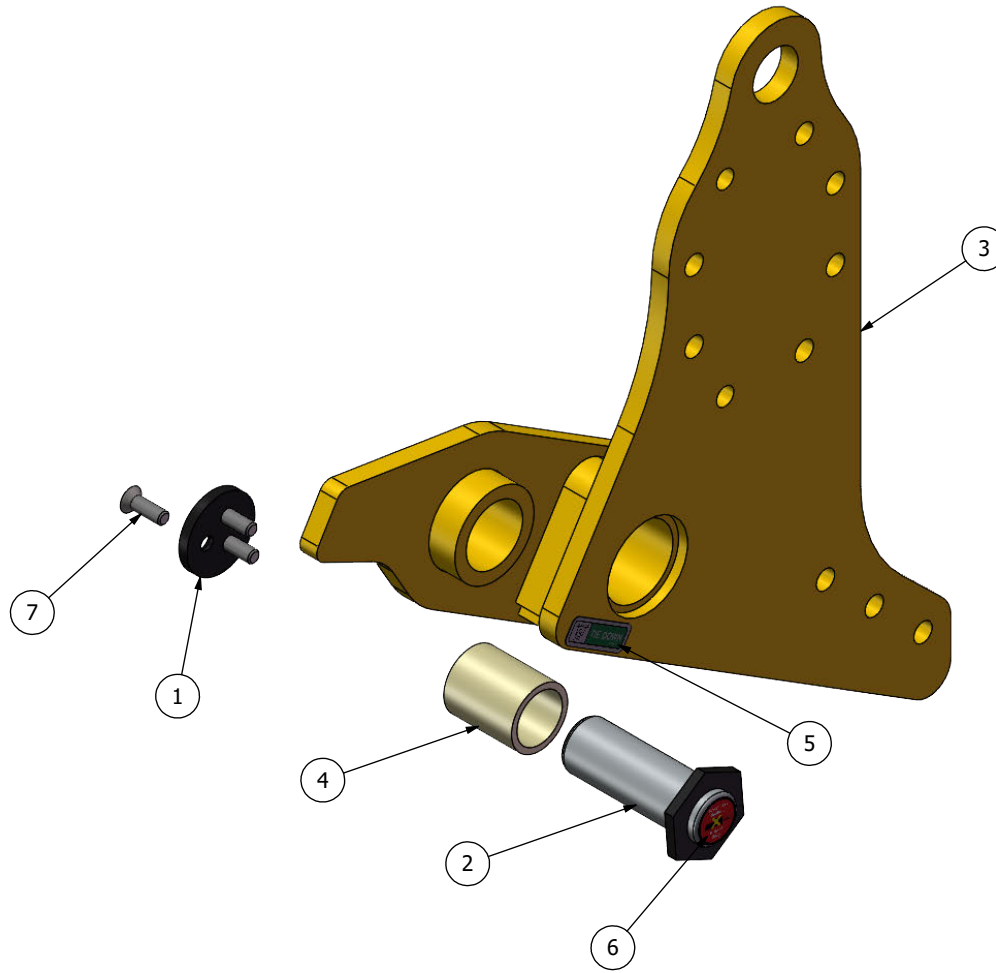
DETAIL A

ITEM	QTY.	PART NUMBER	ALT. P.N.	DESCRIPTION
1	1	111000551_cm_N-CG	504525	PIN CAP FOR 2" & 3" PIN, 1.50" DIA. BOLT CIRCLE
2	1	111001043_c_XY-CG		HYDRAULIC COVER, SIDE WALLS, 1509+
3	2	111002009_cm_N-CG	505276	PIN CAP FOR 2" PIN, 1.25" DIA. BOLT CIRCLE
4	2	111002731_c_E		3/16" SHORT SLIDER SHIM, 1509
5	1	111002732_c_E		3/16" LONG SLIDER SHIM, 1509 / 2011
6	1	111002733_c_E		1/8" LONG SLIDER SHIM, 1509
7	1	111002952_c_XY		TAIL PLATE, SIDE WALLS, 1509
8	1	311000292_w_PIN-CG	601425	MULTI USE PIN, 1509+
9	2	311001006_w_PIN-CG	601767	MULTI USE PIN 1509-2114
10	1	311001340_w_X		LEFT SIDE WALL, 1509
11	1	404001010		POLY BUSHING 2.00" ID X 2.50" OD X 1.75 LG
12	1	411000004		DECAL - REFLECTIVE TAPE, YELLOW
13	1	411000040	750464	DECAL - WARNING HIGH-PRESSURE HYD
14	1	411000261	ADS-00011	DECAL - CRUSHING HAZARD
15	3	411000278	ADS-00083	DECAL - GREASELESS POINT ROUND
16	2	411000281	ADS-00091	DECAL - LIFT POINT ROUND
17	1	411000475		DECAL - AI LOGO LARGE (GT)
18	1	411000476		DECAL - LEFT 1509 BADGE
19	1	413000068	123357	CAT ROUTER BIT
20	10	BLT5C_3-4x2_CRG	AFB-00222	BOLT GR. 5 UNC 3/4" x 2" CARRIAGE
21	6	BLT8C_1-2x1_1-2 FHC	AFB-00185	BOLT GR. 8 UNC 1/2" X 1-1/2" FLAT SOCKET CAP
22	1	BLT8C_1x2		BOLT GR. 8 UNC 1" X 2"
23	5	BLT8C_1x2_1-2	AFB-00036	BOLT GR. 8 UNC 1" X 2-1/2"
24	12	BLT8C_3-4x2	AFB-00037	BOLT GR. 8 UNC 3/4" X 2
25	3	BLT8C_3-4x2_1-2	AFB-00005	BOLT GR. 8 UNC 3/4" X 2-1/2"
26	4	BLT8C_3-8x1_FLG	AFB-00128	BOLT GR 5. 3/8" X 1" FLANGE
27	3	BLT8C_5-8x1_1-2 FHC	AFB-00200	BOLT GR. 8 UNC 5/8" X 1-1/2" FLAT SOCKET CAP
28	4	BLT8C_5-8x2	AFB-00047	BOLT GR. 8 UNC 5/8" X 2"
29	5	NUT8C_1	AFN-00012	NUT GR. 8 UNC 1"
30	1	NUT8C_1_STL	AFN-00037	STOVER NUT: 1" UNC
31	14	NUT8C_3-4_STL	AFN-00062	STOVER NUT: 3/4" UNC
32	4	NUT8C_5-8_NYL	AFN-00081	NUT: GR. 8 UNC 5/8" NYLON LOCK
33	6	WSH8_5-8_STR	AFW-00043	WASHER GR. 8 - 5/8" STRUCTURAL

## SECTION 1.06

### STRUCTURAL

1509 DIRECT MOUNT LEFT LIFT EAR  
(311001350\_A\_X)

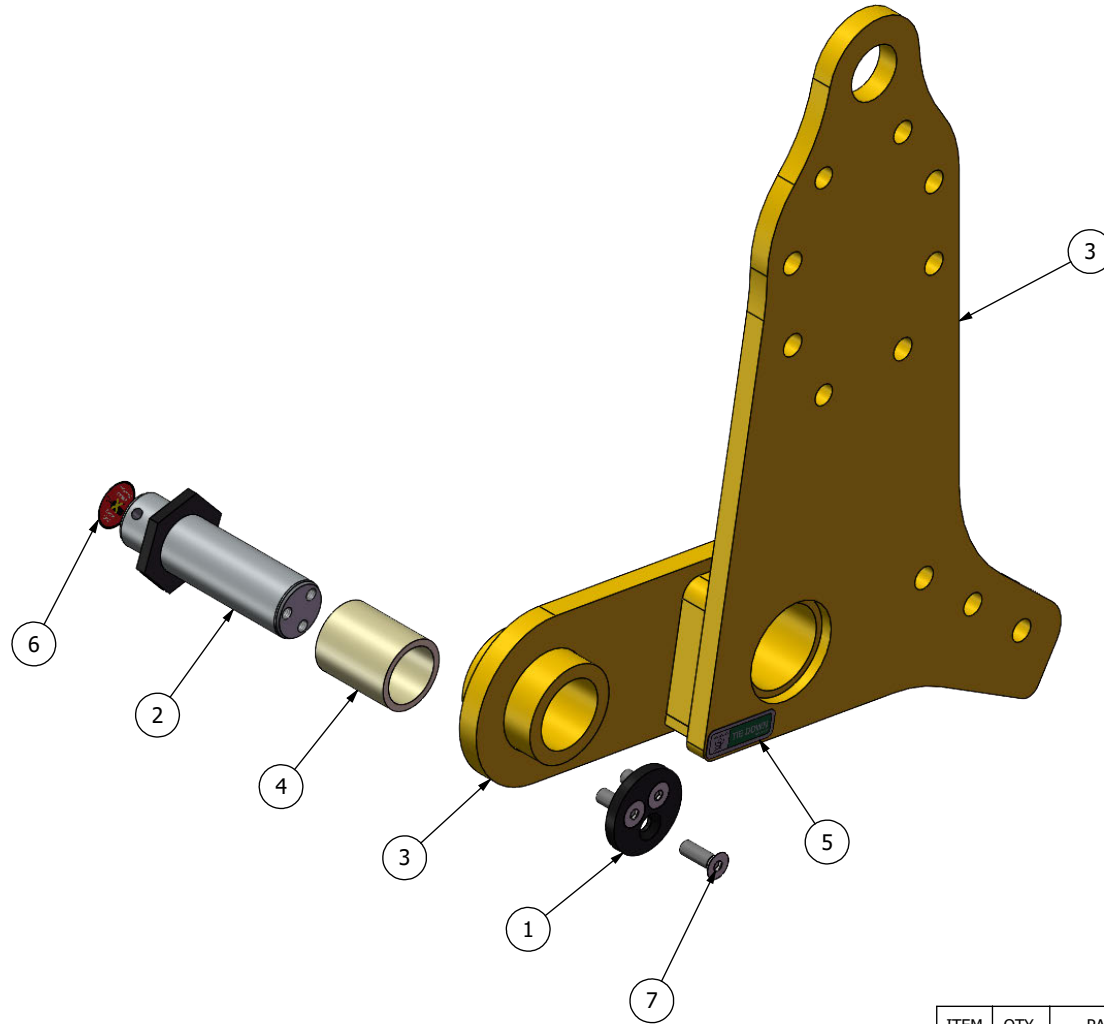


ITEM	QTY.	PART NUMBER	ALT. P.N.	DESCRIPTION
1	1	111002009_cm_N-CG	505276	PIN CAP FOR 2" PIN, 1.25" DIA. BOLT CIRCLE
2	1	311001094_w_PIN-CG		LIFT PIN, 1509+
3	1	311001350_w_X		LEFT LIFT EAR, 1509
4	1	404000003		POLY BUSHING: 2" ID, 2.5" OD, 3" LENGTH
5	1	411000102		DECAL TIE-DOWN
6	1	411000278	ADS-00083	DECAL - GREASELESS POINT ROUND
7	3	BLT8C_1-2x1_1-2 FHC	AFB-00185	BOLT GR. 8 UNC 1/2" X 1-1/2" FLAT SOCKET CAP

## SECTION 1.06

### STRUCTURAL

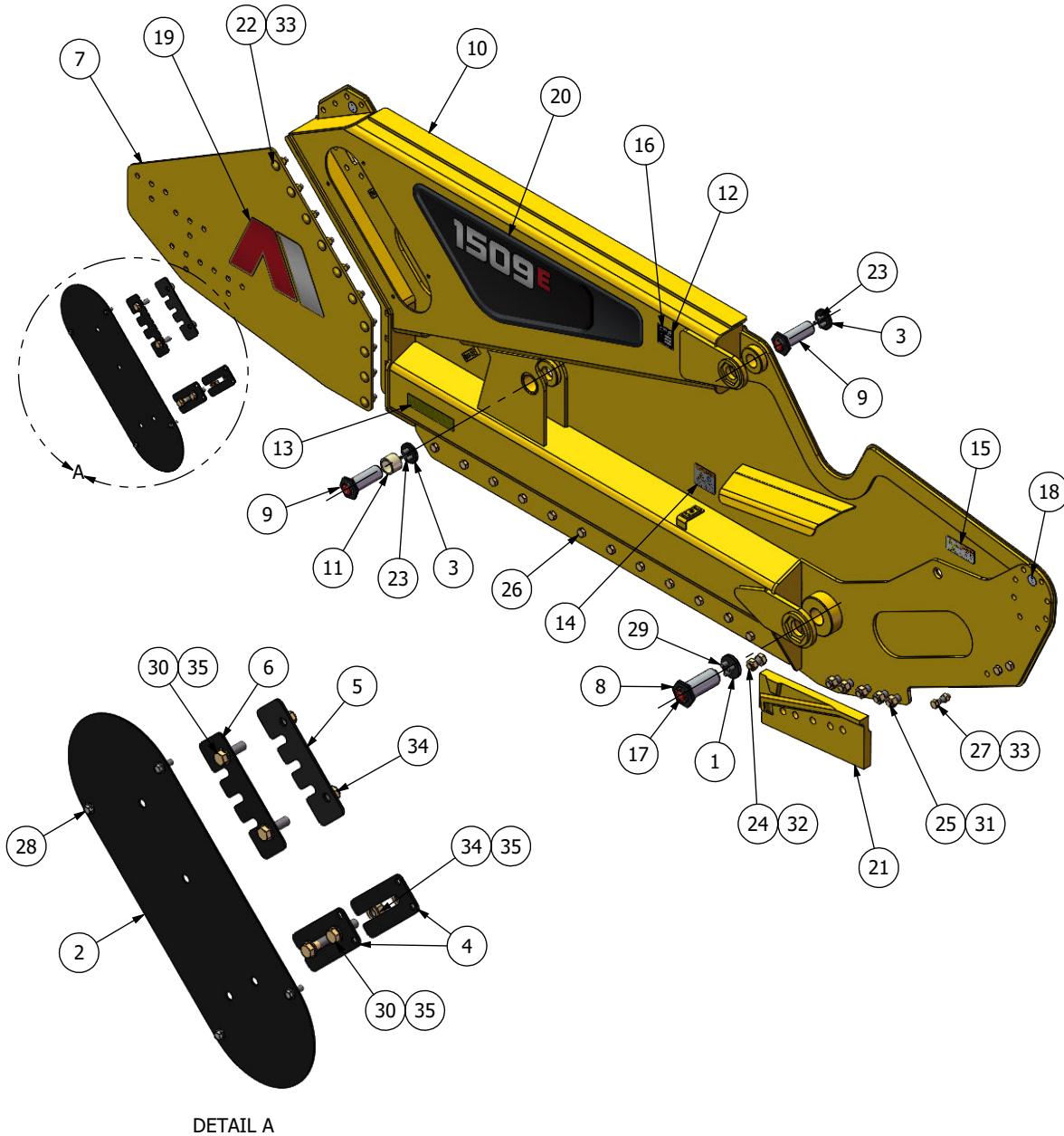
1509 DOLLY LEFT LIFT EAR  
(311001342\_A\_X)



ITEM	QTY.	PART NUMBER	ALT. P.N.	DESCRIPTION
1	1	111002009_cm_N-CG	505276	PIN CAP FOR 2" PIN, 1.25" DIA. BOLT CIRCLE
2	1	311001234		ROD END LIFT PIN, DOLLY WHEEL 1509 / 2011
3	1	311001342_w_X		LEFT LIFT EAR, 1509 DW
4	1	404000003		POLY BUSHING: 2" ID, 2.5" OD, 3" LENGTH
5	1	411000102		DECAL TIE-DOWN
6	1	411000278	ADS-00083	DECAL - GREASELESS POINT ROUND
7	3	BLT8C_1-2x1_1-2 FHC	AFB-00185	BOLT GR. 8 UNC 1/2" X 1-1/2" FLAT SOCKET CAP

# SECTION 1.06

## STRUCTURAL 1509 RIGHT SIDEWALL (311001341\_S\_Y)

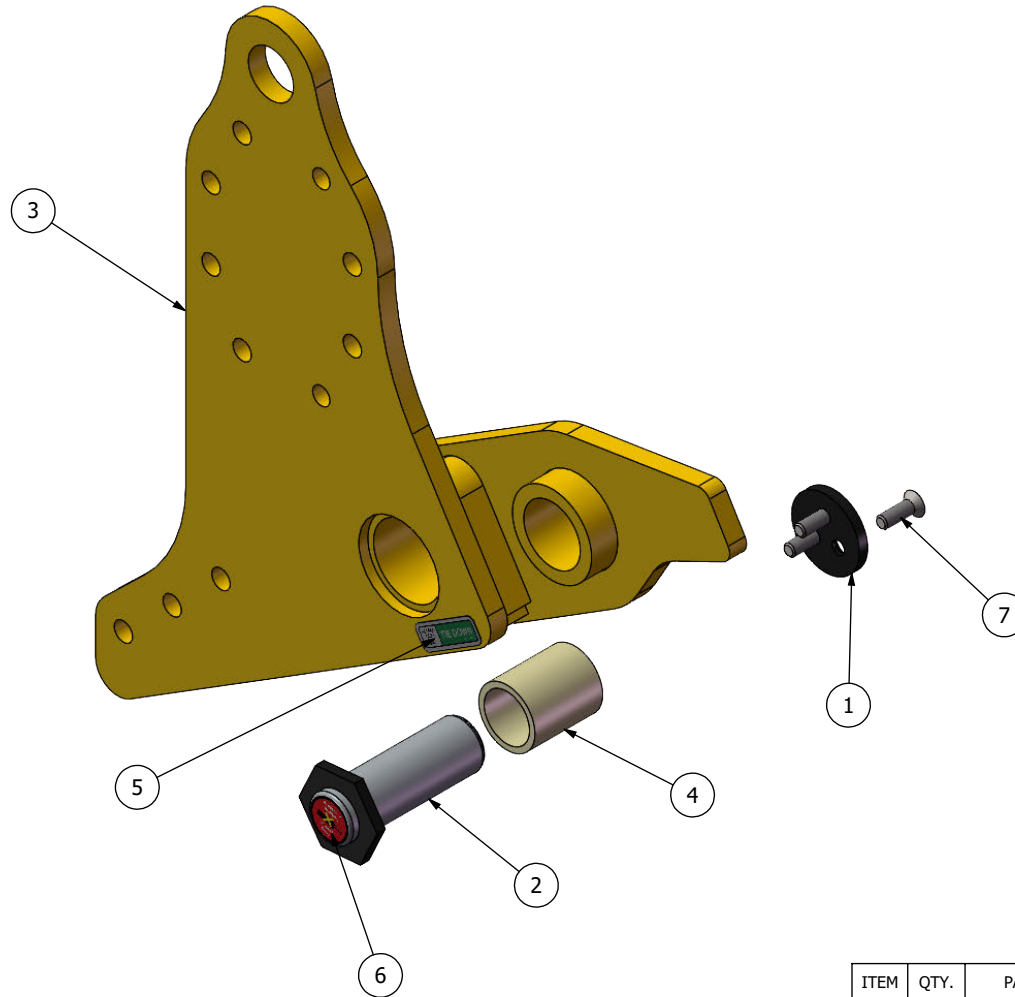


ITEM	QTY.	PART NUMBER	ALT. P.N.	DESCRIPTION
1	1	111000551_cm_N-CG	504525	PIN CAP FOR 2" & 3" PIN, 1.50" DIA. BOLT CIRCLE
2	1	111001043_c_XY-CG		HYDRAULIC COVER, SIDE WALLS, 1509+
3	2	111002009_cm_N-CG	505276	PIN CAP FOR 2" PIN, 1.25" DIA. BOLT CIRCLE
4	2	111002731_c_E		3/16" SHORT SLIDER SHIM, 1509
5	1	111002732_c_E		3/16" LONG SLIDER SHIM, 1509 / 2011
6	1	111002733_c_E		1/8" LONG SLIDER SHIM, 1509
7	1	111002952_c_XY		TAIL PLATE, SIDE WALLS, 1509
8	1	311000292_w_PIN-CG	601425	MULTI USE PIN, 1509+
9	2	311001006_w_PIN-CG	601767	MULTI USE PIN 1509-2114
10	1	311001341_w_Y		RIGHT SIDE WALL, 1509
11	1	404001010		POLY BUSHING 2.00" ID X 2.50" OD X 1.75 LG
12	4	405000135		#4 X 5/16" U-DRIVE SCREW, ROUND HEAD
13	1	411000004		DECAL - REFLECTIVE TAPE, YELLOW
14	1	411000040	750464	DECAL - WARNING HIGH-PRESSURE HYD
15	1	411000261	ADS-00011	DECAL - CRUSHING HAZARD
16	1	411000263		SERIAL NUMBER PLATE
17	3	411000278	ADS-00083	DECAL - GREASELESS POINT ROUND
18	2	411000281	ADS-00091	DECAL - LIFT POINT ROUND
19	1	411000475		DECAL - AI LOGO LARGE (GT)
20	1	411000477		DECAL - RIGHT 1509 BADGE
21	1	413000068	123357	CAT ROUTER BIT
22	10	BLT5C_3-4x2_CRG	AFB-00222	BOLT GR. 5 UNC 3/4" x 2" CARRIAGE
23	6	BLT8C_1-2x1_1-2_FHC	AFB-00185	BOLT GR. 8 UNC 1/2" X 1-1/2" FLAT SOCKET CAP
24	1	BLT8C_1x2		BOLT GR. 8 UNC 1" X 2"
25	5	BLT8C_1x2_1-2	AFB-00036	BOLT GR. 8 UNC 1" X 2-1/2"
26	12	BLT8C_3-4x2	AFB-00037	BOLT GR. 8 UNC 3/4" X 2
27	3	BLT8C_3-4x2_1-2	AFB-00005	BOLT GR. 8 UNC 3/4" X 2-1/2"
28	4	BLT8C_3-8x1_FLG	AFB-00128	BOLT GR 5. 3/8" X 1" FLANGE
29	3	BLT8C_5-8x1_1-2_FHC	AFB-00200	BOLT GR. 8 UNC 5/8" X 1-1/2" FLAT SOCKET CAP
30	4	BLT8C_5-8x2	AFB-00047	BOLT GR. 8 UNC 5/8" X 2"
31	5	NUT8C_1	AFN-00012	NUT GR. 8 UNC 1"
32	1	NUT8C_1_STL	AFN-00037	STOVER NUT: 1" UNC
33	14	NUT8C_3-4_STL	AFN-00062	STOVER NUT: 3/4" UNC
34	4	NUT8C_5-8_NYL	AFN-00081	NUT: GR. 8 UNC 5/8" NYLON LOCK
35	6	WSH8_5-8_STR	AFW-00043	WASHER GR. 8 - 5/8" STRUCTURAL

## SECTION 1.06

### STRUCTURAL

1509 DIRECT MOUNT RIGHT LIFT EAR  
(311001351\_A\_Y)

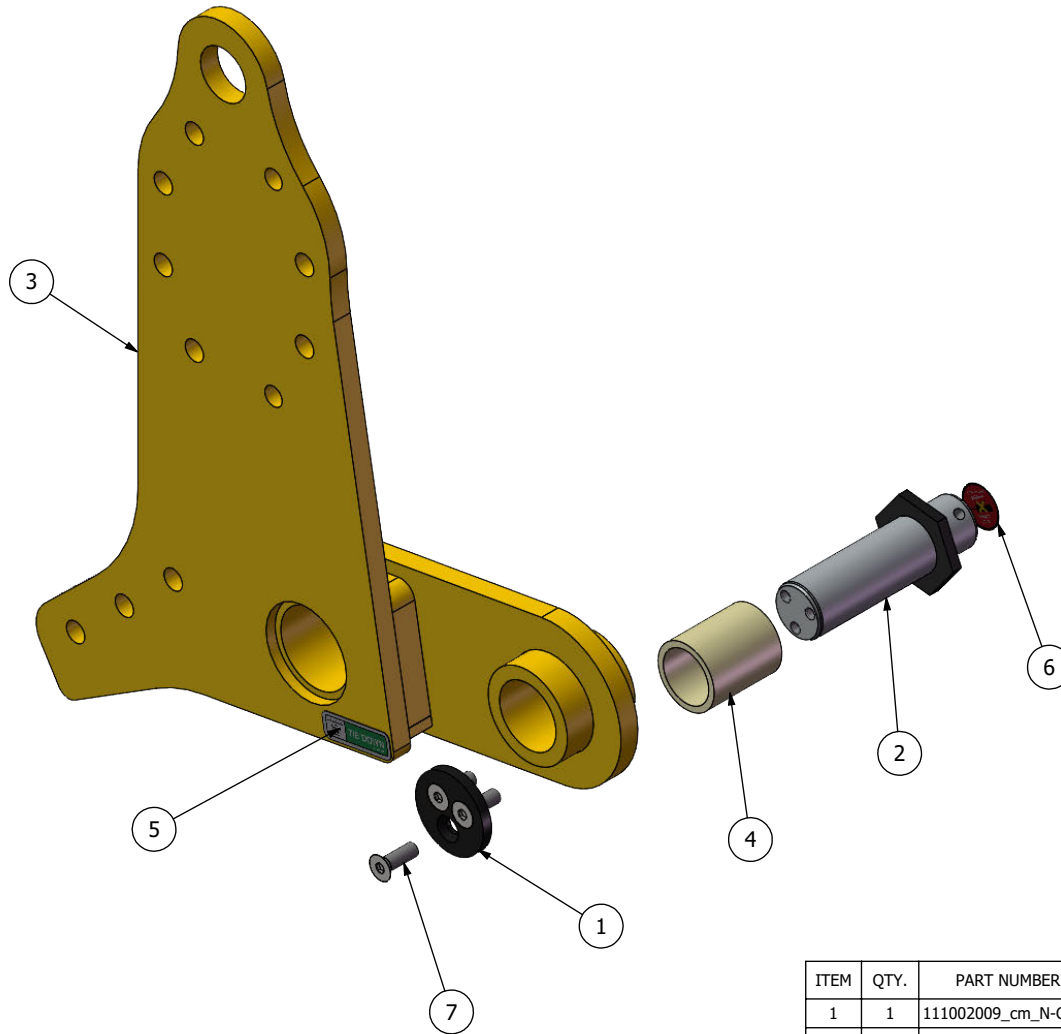


ITEM	QTY.	PART NUMBER	ALT. P.N.	DESCRIPTION
1	1	111002009_cm_N-CG	505276	PIN CAP FOR 2" PIN, 1.25" DIA. BOLT CIRCLE
2	1	311001094_w_PIN-CG		LIFT PIN, 1509+
3	1	311001351_w_Y		RIGHT LIFT EAR, 1509
4	1	404000003		POLY BUSHING: 2" ID, 2.5" OD, 3" LENGTH
5	1	411000102		DECAL TIE-DOWN
6	1	411000278	ADS-00083	DECAL - GREASELESS POINT ROUND
7	3	BLT8C_1-2x1_1-2 FHC	AFB-00185	BOLT GR. 8 UNC 1/2" X 1-1/2" FLAT SOCKET CAP

## SECTION 1.06

### STRUCTURAL

1509 DOLLY RIGHT LIFT EAR  
(311001351\_A\_Y)

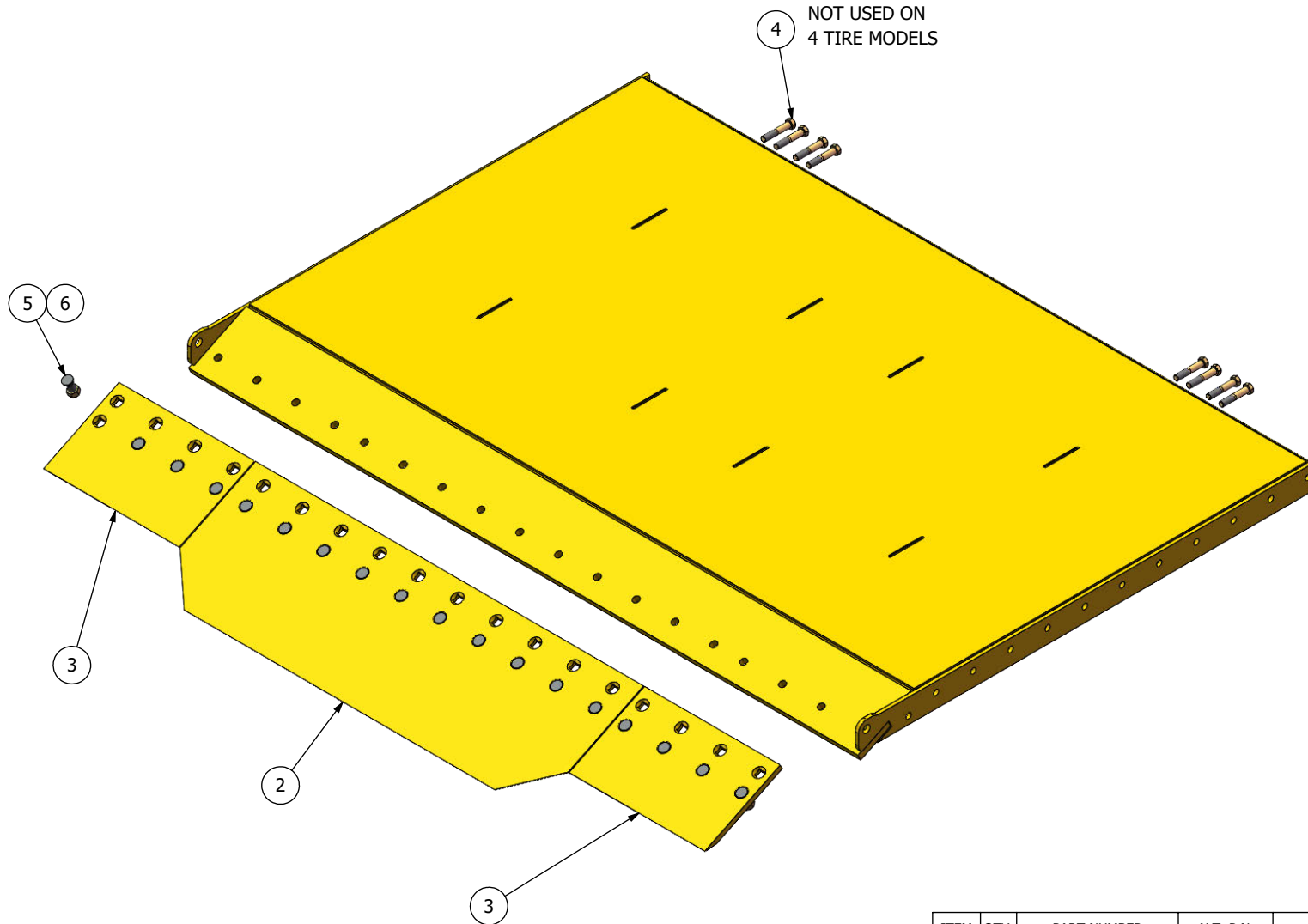


ITEM	QTY.	PART NUMBER	ALT. P.N.	DESCRIPTION
1	1	111002009_cm_N-CG	505276	PIN CAP FOR 2" PIN, 1.25" DIA. BOLT CIRCLE
2	1	311001234		ROD END LIFT PIN, DOLLY WHEEL 1509 / 2011
3	1	311001343_w_Y		RIGHT LIFT EAR, 1509 DW
4	1	404000003		POLY BUSHING: 2" ID, 2.5" OD, 3" LENGTH
5	1	411000102		DECAL TIE-DOWN
6	1	411000278	ADS-00083	DECAL - GREASELESS POINT ROUND
7	3	BLT8C_1-2x1_1-2 FHC	AFB-00185	BOLT GR. 8 UNC 1/2" X 1-1/2" FLAT SOCKET CAP

**SECTION 1.07**

**STRUCTURAL**

1509 FLOOR  
(311001338\_S\_F)

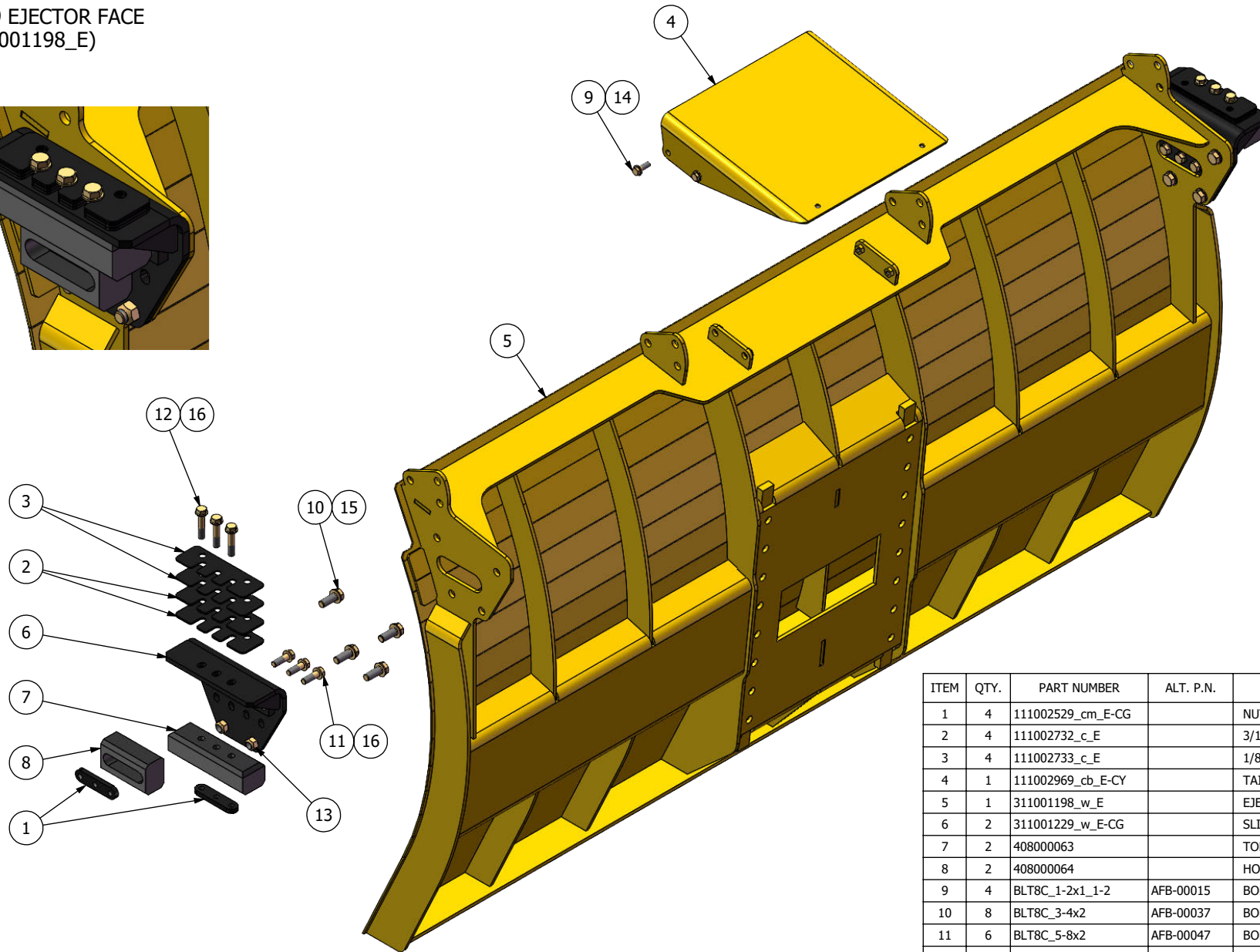
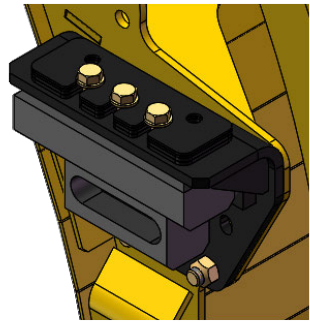


ITEM	QTY.	PART NUMBER	ALT. P.N.	DESCRIPTION
1	1	311001338_w_F		FLOOR, 1509
2	1	413003051		CENTER BLADE, 1509 / 2011
3	2	413003052		OUTER BLADES, 1509
4	8	BLT8C_3-4x4	AFB-00124	BOLT GR. 8 UNC 3/4" X 4"
5	18	BLT8C_7-8x2_3-4_PLW		7/8" X 3/4" X 2-3/4" PLOW BOLT
6	18	NUT8C_7-8	AFN-00019	NUT GR. 8 UNC 7/8"

# SECTION 1.08

## STRUCTURAL

1509 EJECTOR FACE  
(311001198\_E)

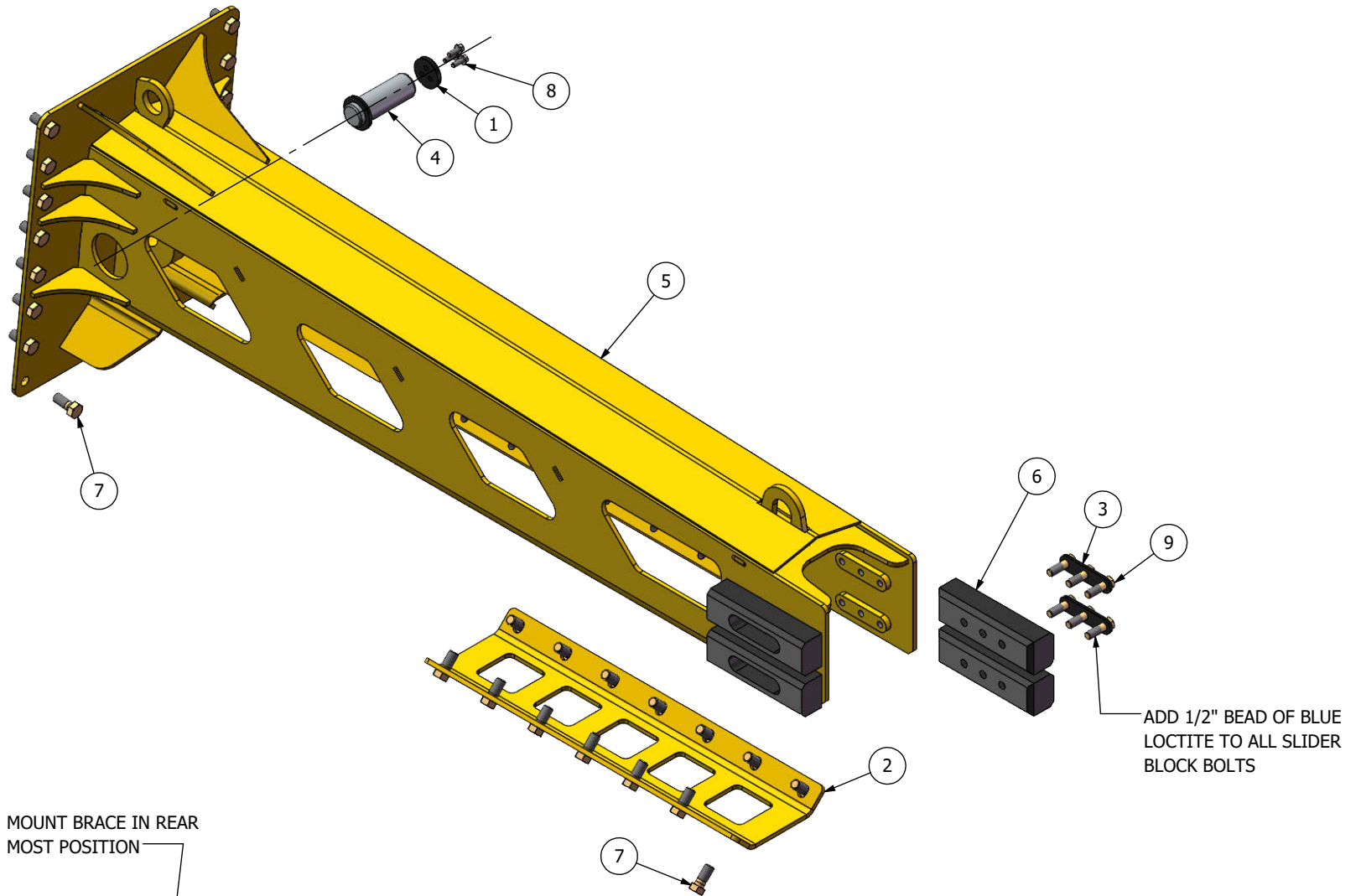


ITEM	QTY.	PART NUMBER	ALT. P.N.	DESCRIPTION
1	4	111002529_cm_E-CG		NUT, SLIDER BLOCKS, 1509
2	4	111002732_c_E		3/16" LONG SLIDER SHIM, 1509 / 2011
3	4	111002733_c_E		1/8" LONG SLIDER SHIM, 1509
4	1	111002969_cb_E-CY		TAIL DIRT SHIELD, EJECTOR, 1509
5	1	311001198_w_E		EJECTOR FACE, 1509
6	2	311001229_w_E-CG		SLIDER BLOCK MOUNT, EJECTOR, 1509
7	2	408000063		TOP/TAIL SLIDER BLOCK, EJECTOR, 1509
8	2	408000064		HOLD DOWN BLOCK, EJECTOR, 1509
9	4	BLT8C_1-2x1_1-2	AFB-00015	BOLT: GR 8. UNC 1/2" X 1-1/2"
10	8	BLT8C_3-4x2	AFB-00037	BOLT GR. 8 UNC 3/4" X 2
11	6	BLT8C_5-8x2	AFB-00047	BOLT GR. 8 UNC 5/8" X 2"
12	6	BLT8C_5-8x3	AFB-00120	BOLT GR. 8 UNC 5/8" X 3"
13	4	NUT8C_3-4_STL	AFN-00062	STOVER NUT: 3/4" UNC
14	4	WSH8_1-2_STR	AFW-00044	WASHER GR. 8 - 1/2" STRUCTURAL
15	8	WSH8_3-4_STR	AFW-00042	WASHER GR. 8 - 3/4" STRUCTURAL
16	12	WSH8_5-8_STR	AFW-00043	WASHER GR. 8 - 5/8" STRUCTURAL

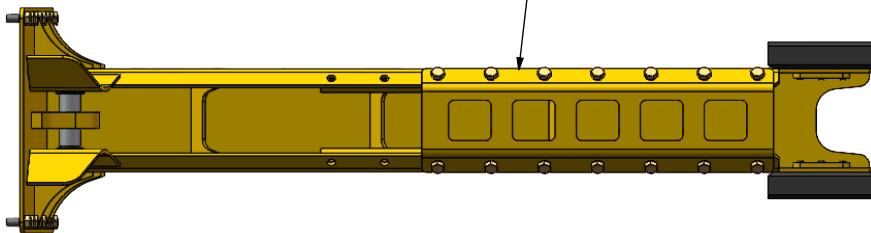
# SECTION 1.09

## STRUCTURAL

1509 EJECTOR TAIL  
(311001317\_E)



MOUNT BRACE IN REAR  
MOST POSITION

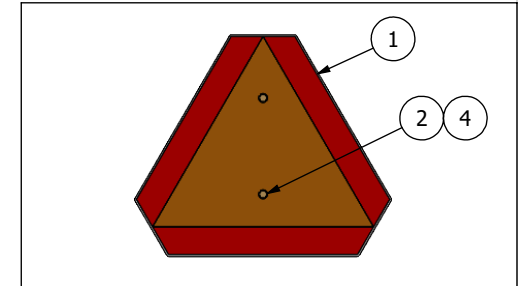
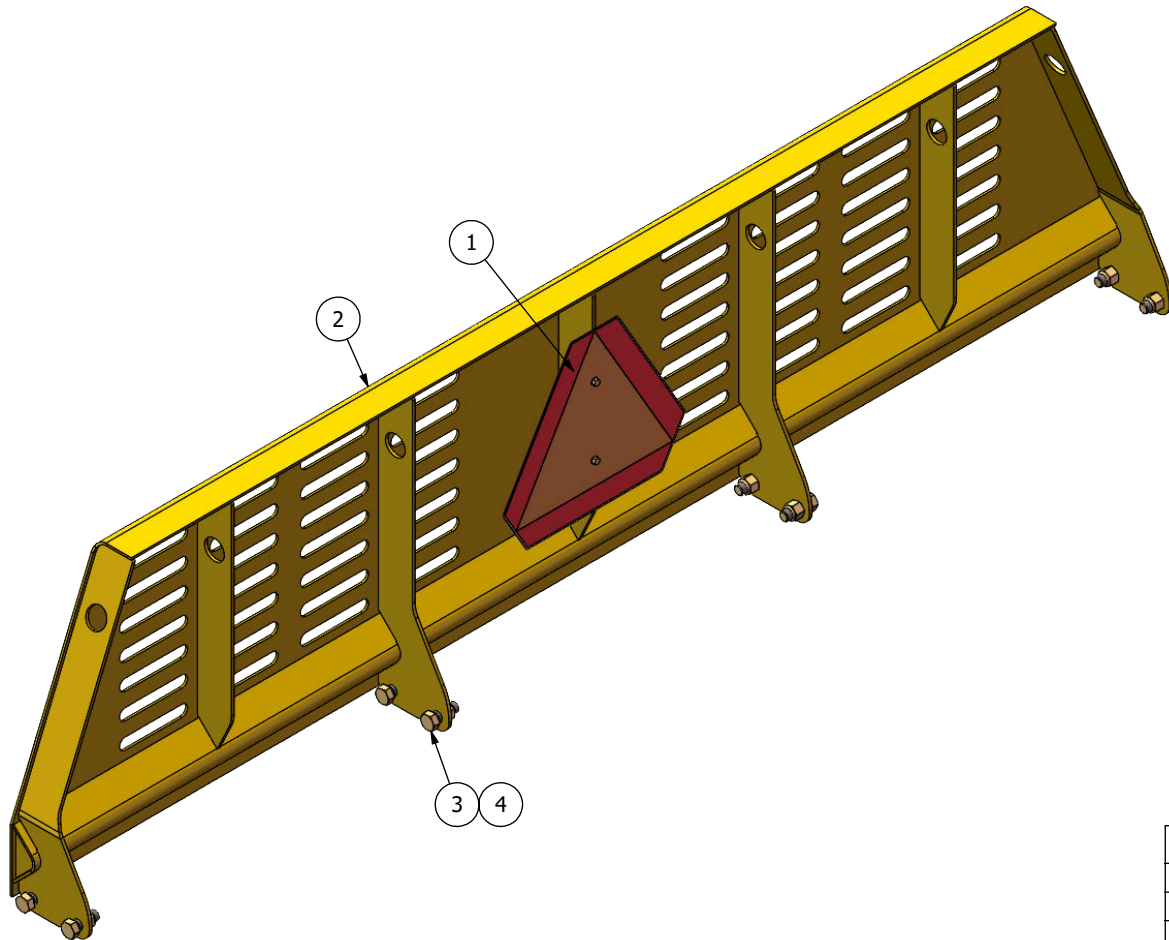
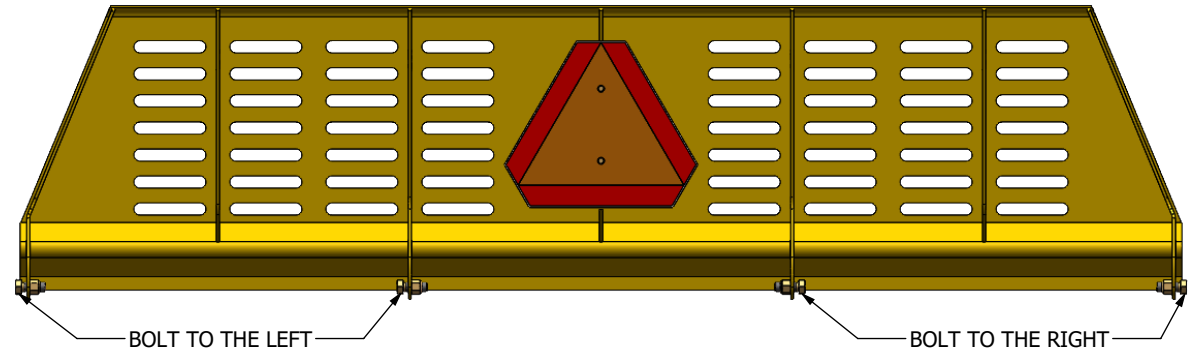


ITEM	QTY.	PART NUMBER	ALT. P.N.	DESCRIPTION
1	1	111000420_c_E-CG	504703	PIN CAP, FOR 2.00" PIN, 1.00" BC, 3/8" BOLTS
2	1	111002804_cb_E-CY		EJECTOR TAIL BOTTOM BRACE 1509
3	4	111002887_c_E-CG		WASHER, SLIDER BLOCKS, 1509
4	1	311000330_w_PIN-CG	601660	EJECTOR CYLINDER ROD END PIN, 1509+
5	1	311001317_w_E		EJECTOR TAIL, 1509
6	4	408000063		TOP/TAIL SLIDER BLOCK, EJECTOR, 1509
7	30	BLT8C_3-4x1_3-4	AFB-00048	BOLT GR. 8 UNC 3/4" X 1-3/4"
8	3	BLT8C_3-8x1_FLG	AFB-00128	BOLT GR 5. 3/8" X 1" FLANGE
9	12	BLT8C_5-8x2	AFB-00047	BOLT GR. 8 UNC 5/8" X 2"

**SECTION 1.10**

**STRUCTURAL**

1509 HEADACHE RACK  
(311001206\_E\_R)



301100314 KIT

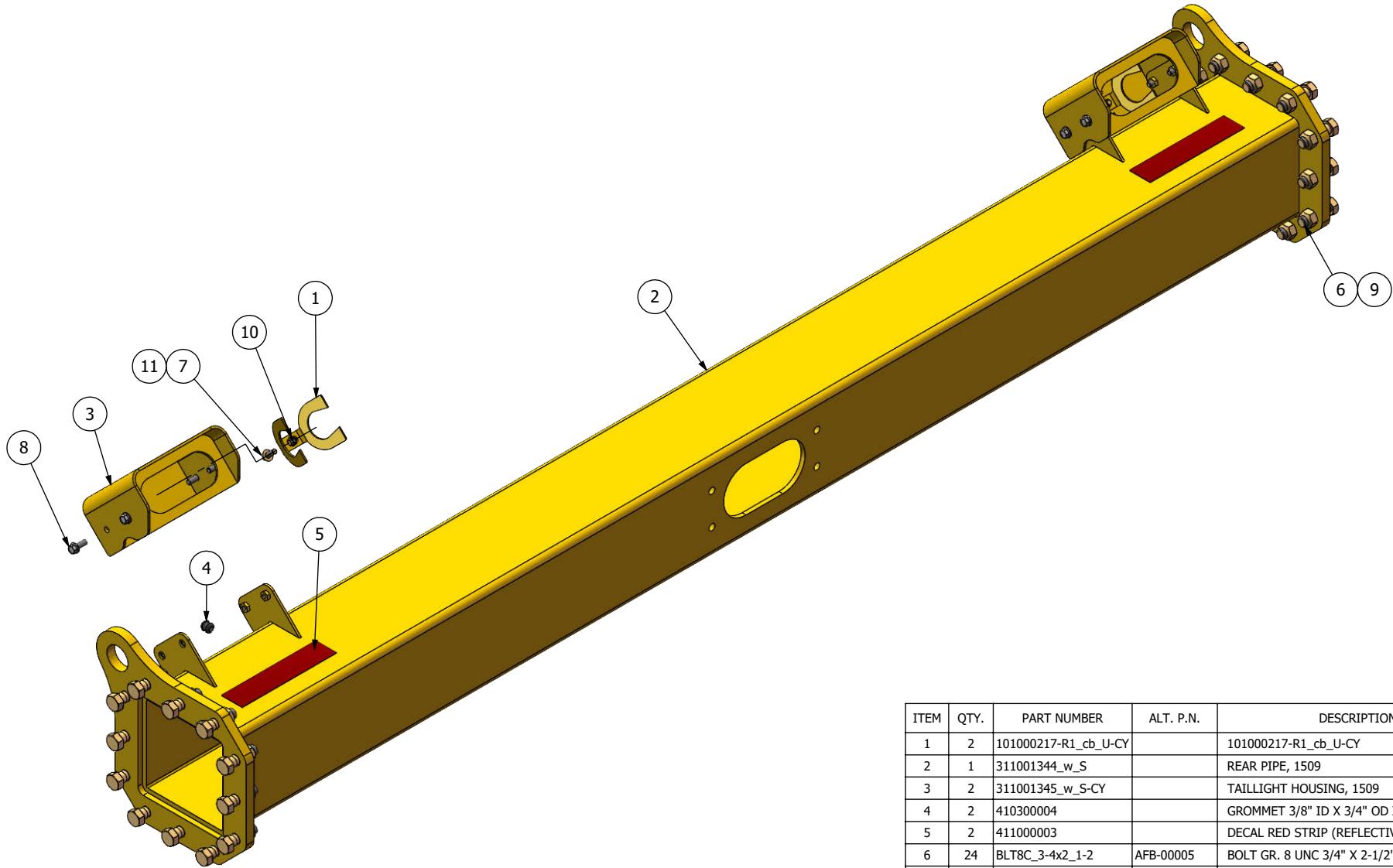
ITEM	QTY.	PART NUMBER	DESCRIPTION
1	1	411000016	SMV SIGN PLATE, 6" HOLE SPACING
2	2	BLT8C_1-4x3-4	BOLT GR. 8 UNC 1/4" X 3/4"
3	2	NUT8C_1-4_STL	NUT GR. 8 UNC 1/4" STOVER
4	2	WSH8_1-4_STR	WASHER GR. 8 - 1/4" STRUCTURAL

ITEM	QTY.	PART NUMBER	ALT. P.N.	DESCRIPTION
1	1	301100314 KIT		SMV SIGN, 6" HOLE SPACING
2	1	311001206_w_R		HEADACHE RACK, 1509
3	8	BLT8C_3-4x2	AFB-00037	BOLT GR. 8 UNC 3/4" X 2
4	8	NUT8C_3-4_NYL	AFN-00046	NUT: GR 8.3/4" NYLOCK

## SECTION 1.11

### STRUCTURAL

1509 REAR PIPE  
(311001344\_S)



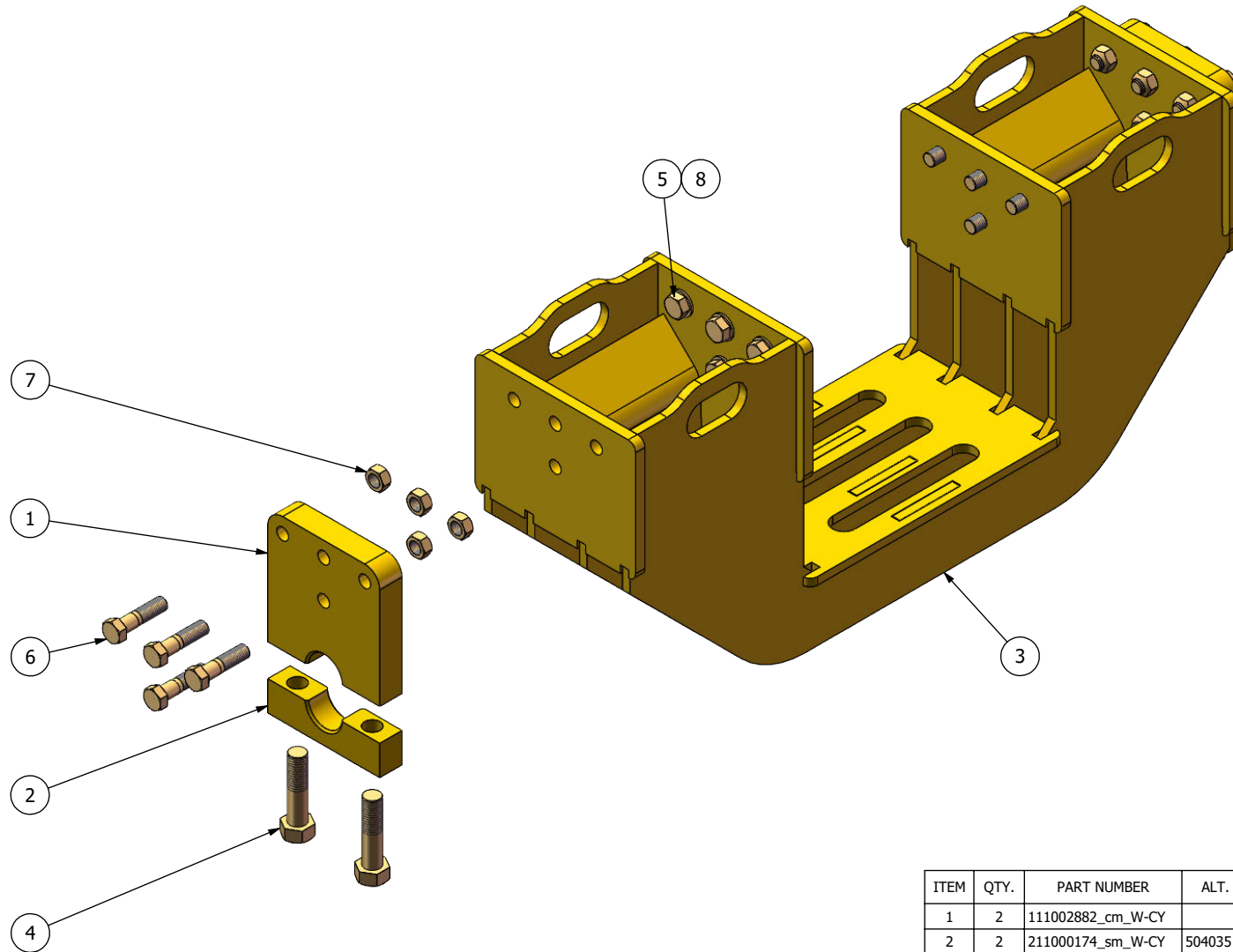
ITEM	QTY.	PART NUMBER	ALT. P.N.	DESCRIPTION
1	2	101000217-R1_cb_U-CY		101000217-R1_cb_U-CY
2	1	311001344_w_S		REAR PIPE, 1509
3	2	311001345_w_S-CY		TAILLIGHT HOUSING, 1509
4	2	410300004		GROMMET 3/8" ID X 3/4" OD X 3/8 (9/16 Hole)
5	2	411000003		DECAL RED STRIP (REFLECTIVE LIGHT)
6	24	BLT8C_3-4x2_1-2	AFB-00005	BOLT GR. 8 UNC 3/4" X 2-1/2"
7	2	BLT8C_3-8x1		BOLT GR. 8 UNC 3/8" X 1"
8	8	BLT8C_3-8x1_FLG	AFB-00128	BOLT GR 5. 3/8" X 1" FLANGE
9	24	NUT8C_3-4_STL	AFN-00062	STOVER NUT: 3/4" UNC
10	2	NUT8C_3-8_NYL	AFN-00044	NUT GR. 8 NYLON LOCK 3/8" UNC
11	2	WSH8_3-8_STR		WASHER GR. 8 - 3/8" STRUCTURAL



## SECTION 1.13

### STRUCTURAL

1509 2 TIRE AXLE BRIDGE  
(311001214\_S\_W)

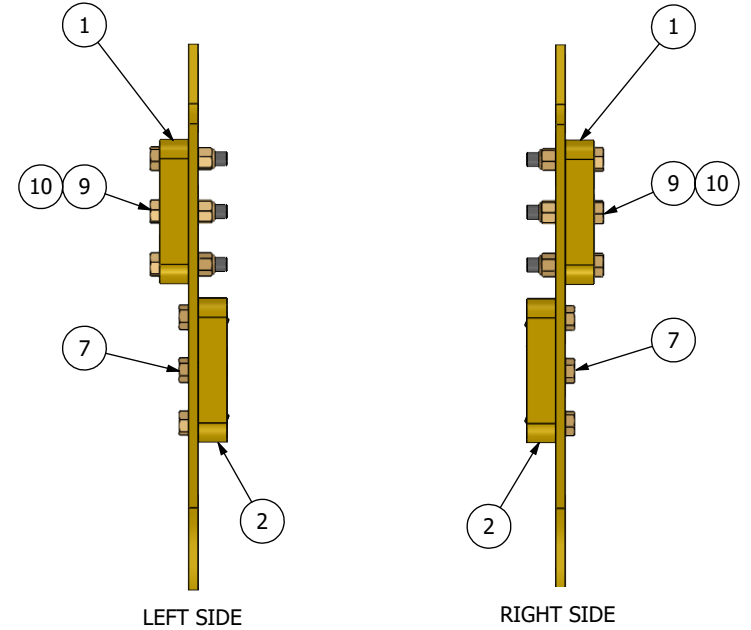
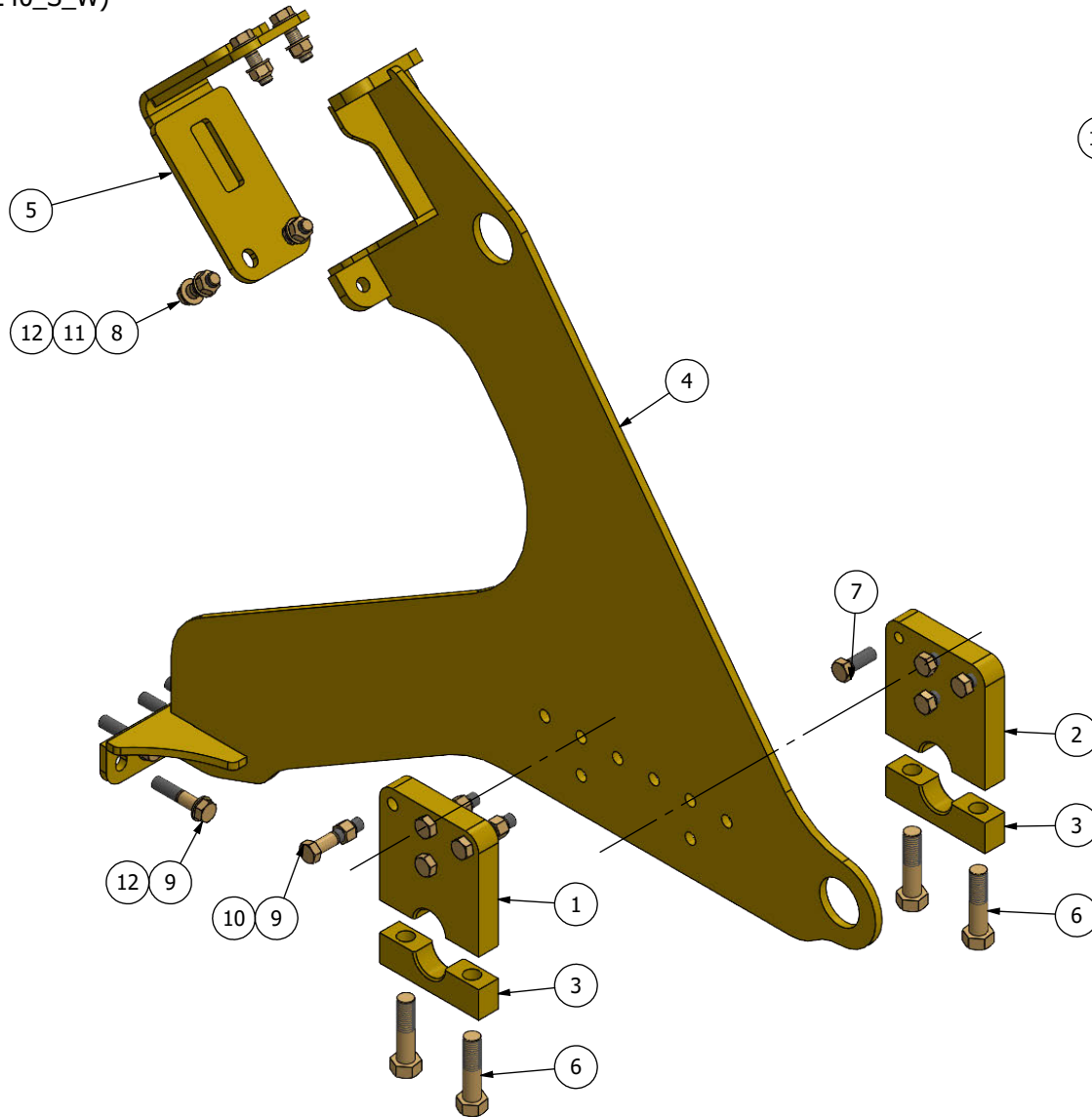


ITEM	QTY.	PART NUMBER	ALT. P.N.	DESCRIPTION
1	2	111002882_cm_W-CY		THRU HOLE AXLE MOUNT BLOCK, 1509
2	2	211000174_sm_W-CY	504035	AXLE CLAMP BLOCK, 1509+
3	1	311001214_w_W-CY		AXLE BRIDGE, 1509
4	4	BLT8C_1x4	AFB-00187	BOLT GR. 8 UNC 1" X 4"
5	8	BLT8C_3-4x1_1-2	AFB-00215	BOLT GR. 8 UNC 3/4" X 1-1/2"
6	8	BLT8C_3-4x3	AFB-00064	BOLT GR. 8 UNC 3/4" X 3"
7	8	NUT8C_3-4_STL	AFN-00062	STOVER NUT: 3/4" UNC
8	8	WSH8_3-4_STR	AFW-00042	WASHER GR. 8 - 3/4" STRUCTURAL

# SECTION 1.14

## STRUCTURAL

1509 MIDDLE WHEEL MOUNT  
(311001240\_S\_W)



(TOP VIEW FROM REAR)

ITEM	QTY.	PART NUMBER	ALT. P.N.	DESCRIPTION
1	1	111002882_cm_W-CY		THRU HOLE AXLE MOUNT BLOCK, 1509
2	1	111002883_cm_W-CY		TAPPED AXLE MOUNT BLOCK, 1509
3	2	211000174_sm_W-CY	504035	AXLE CLAMP BLOCK, 1509+
4	1	311001240_w_W		MIDDLE WHEEL MOUNT, 1509
5	1	311001347_w_T-CY		CLAMP STRAP, 1509
6	4	BLT8C_1x4	AFB-00187	BOLT GR. 8 UNC 1" X 4"
7	4	BLT8C_3-4x2	AFB-00037	BOLT GR. 8 UNC 3/4" X 2
8	4	BLT8C_3-4x2_1-2	AFB-00005	BOLT GR. 8 UNC 3/4" X 2-1/2"
9	8	BLT8C_3-4x3_1-2	AFB-00097	BOLT GR. 8 UNC 3/4" X 3-1/2"
10	4	NUT8C_3-4_NYL	AFN-00046	NUT: GR 8.3/4" NYLOCK
11	4	NUT8C_3-4_STL	AFN-00062	STOVER NUT: 3/4" UNC
12	12	WSH8_3-4_STR	AFW-00042	WASHER GR. 8 - 3/4" STRUCTURAL

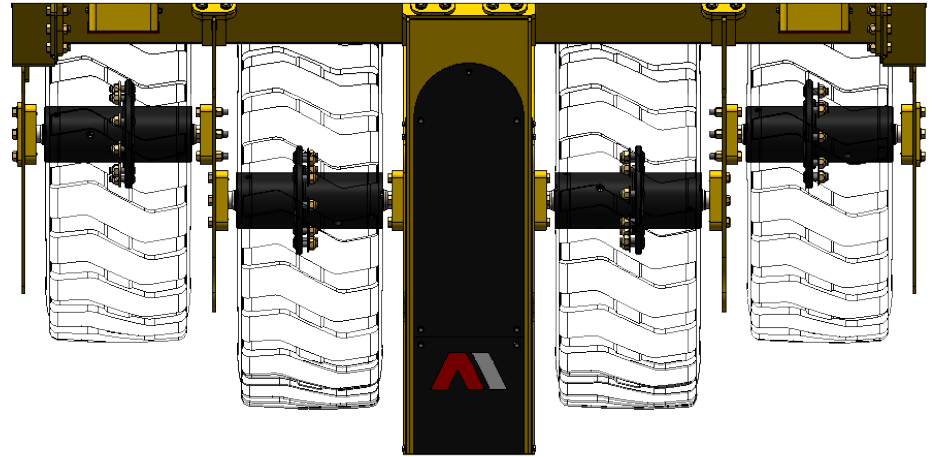
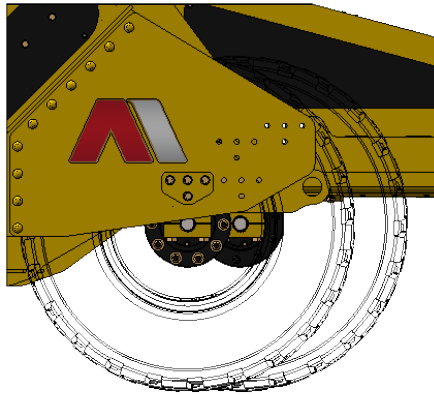
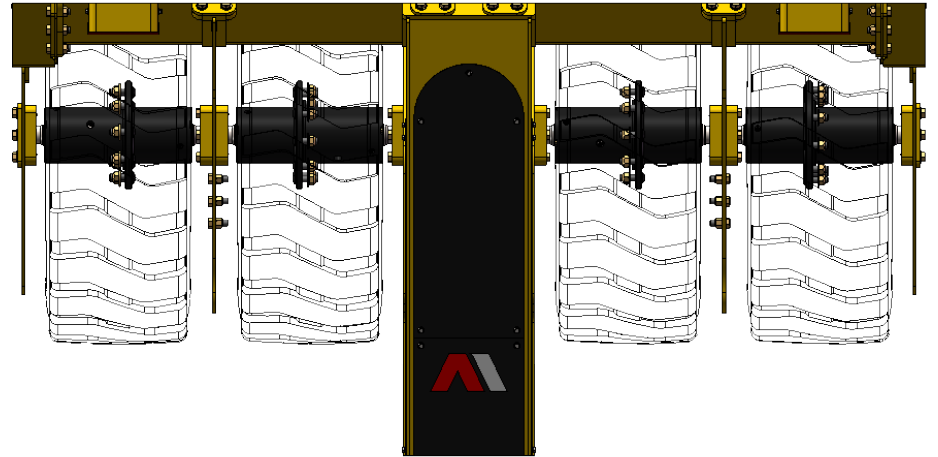
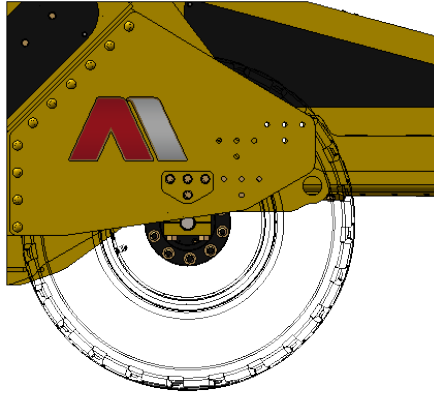
THIS DIAGRAM REFERENCES THE STANDARD STAGGERED WHEEL ALIGNMENT.  
IF YOU CHOOSE TO SET THE WHEELS IN-LINE, USE THE LONGER BOLTS TO INSTALL THROUGH BOTH AXLE BLOCKS.  
STORE THE EXCESS FASTENERS IN THE VACANT HOLES OF THE TRUSS.

**SECTION 1.15**

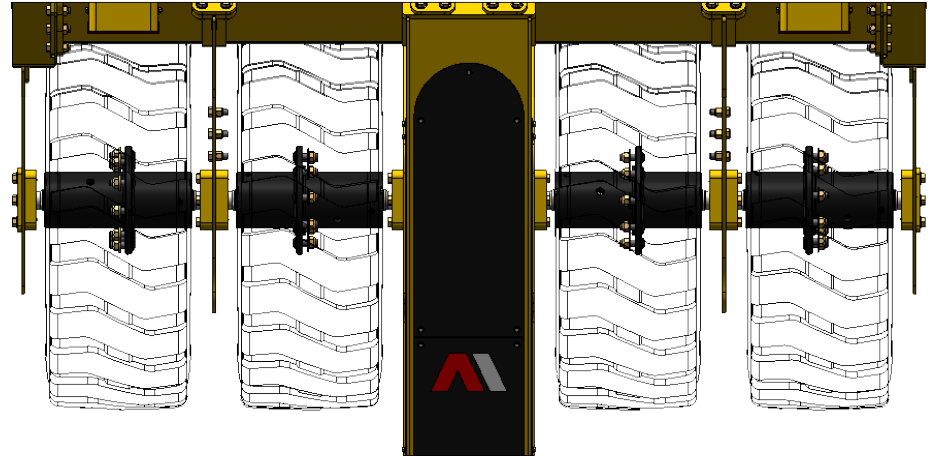
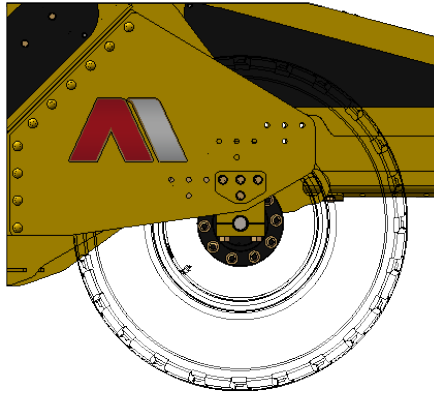
**STRUCTURAL**

**4 TIRE WHEEL ALIGNMENT**

FRONT ALIGNMENT



STAGGERED ALIGNMENT

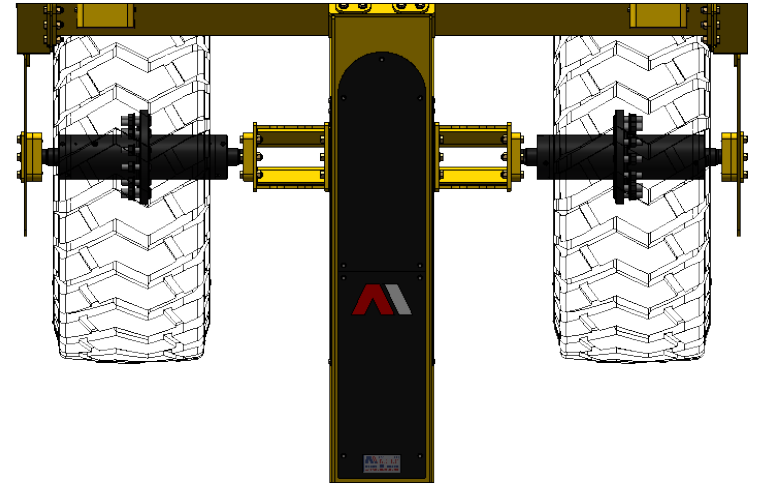
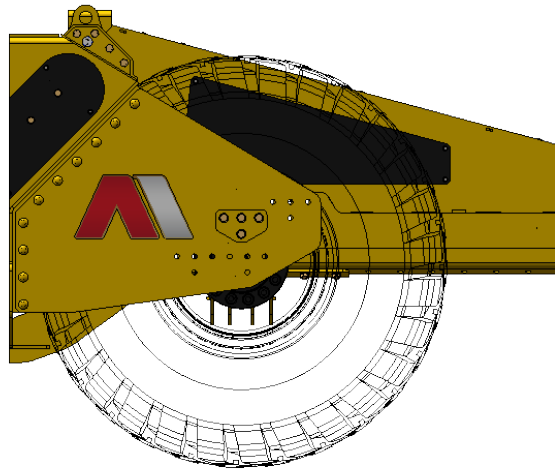


REAR ALIGNMENT

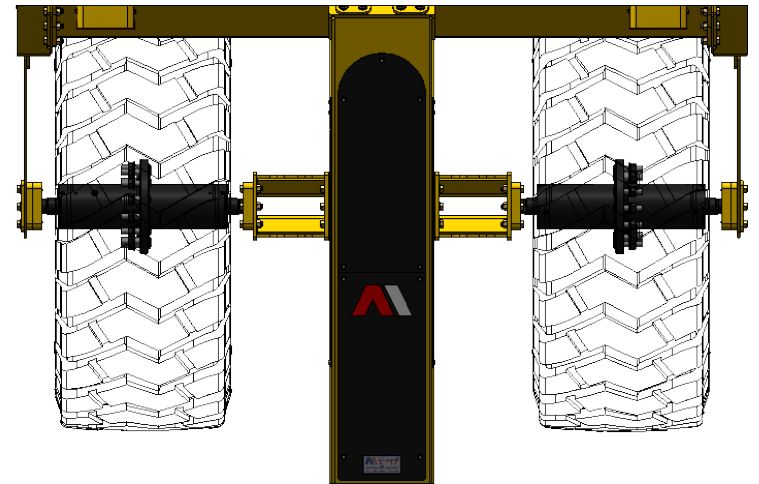
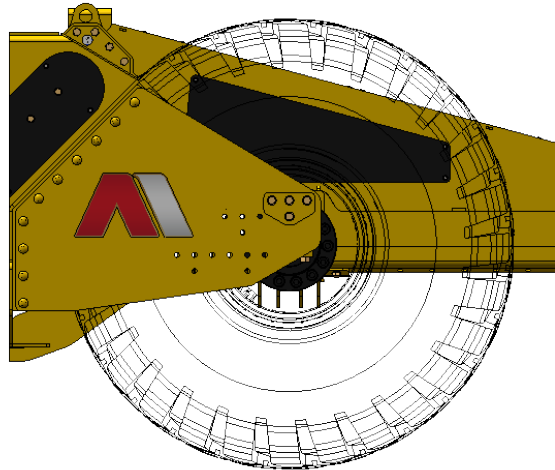
**SECTION 1.15**

**STRUCTURAL**

**2 TIRE WHEEL ALIGNMENT**



**23.5 TIRE ALIGNMENT**

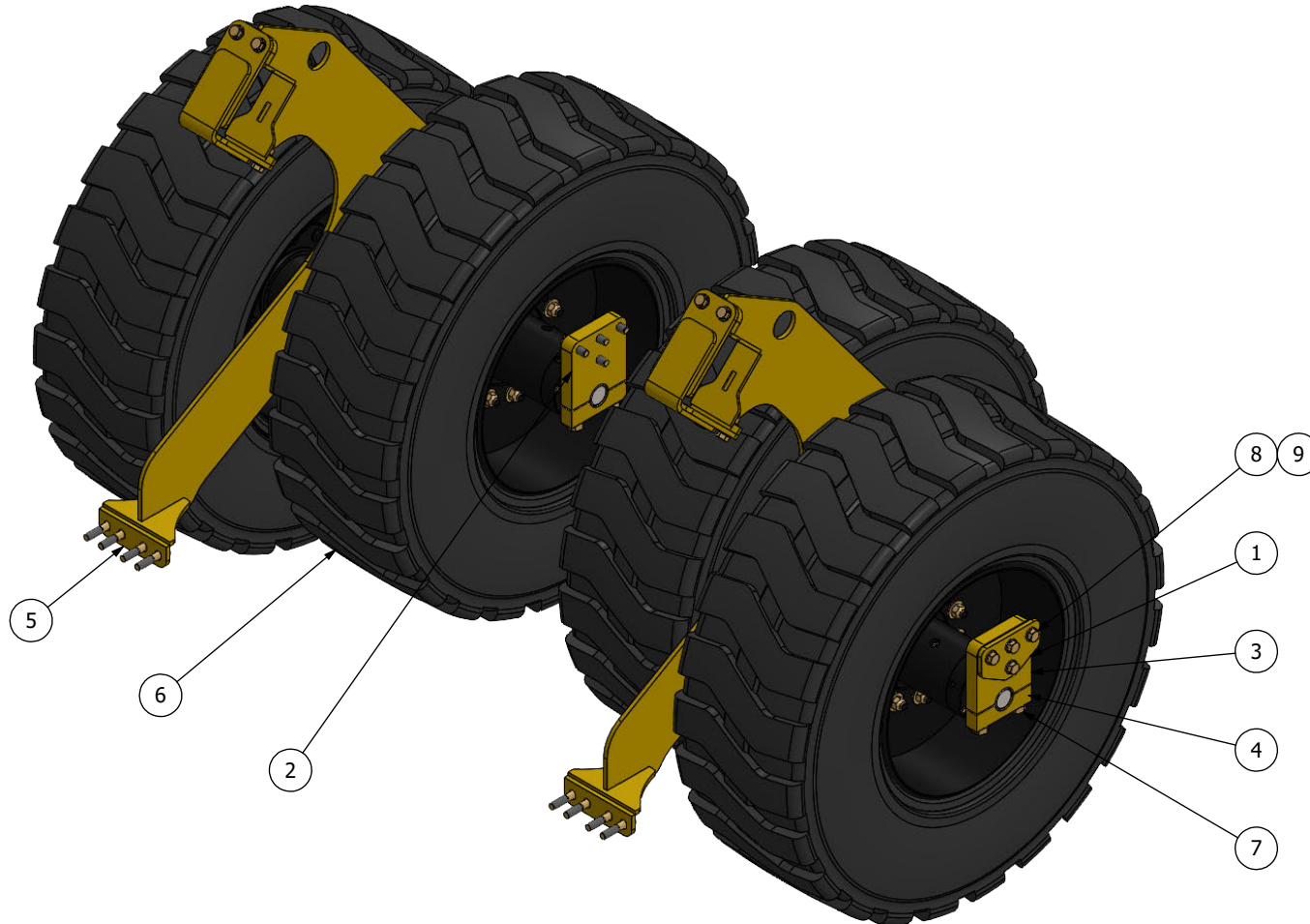


**26.5 TIRE ALIGNMENT**

## SECTION 1.16

### STRUCTURAL

1509 DIRECT MOUNT  
4 TIRE 17.5 TIRE KIT  
(311100067 KIT)

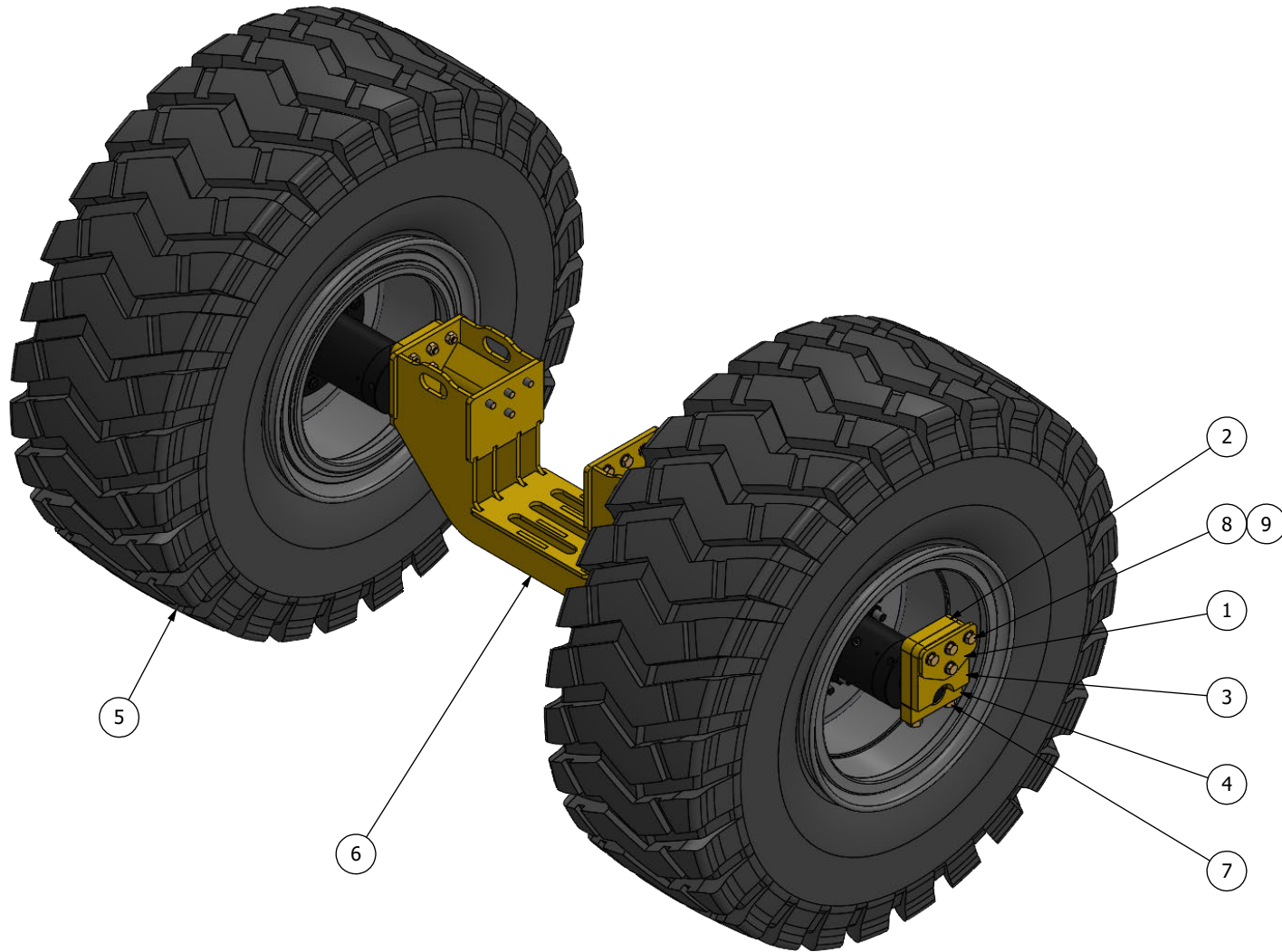


ITEM	QTY.	PART NUMBER	ALT. P.N.	DESCRIPTION
1	2	111002807_c_S-CY		AXLE DOUBLER PLATE 1509
2	2	111002882_cm_W-CY		THRU HOLE AXLE MOUNT BLOCK, 1509
3	2	111002883_cm_W-CY		TAPPED AXLE MOUNT BLOCK, 1509
4	4	211000174_sm_W-CY	504035	AXLE CLAMP BLOCK, 1509+
5	2	311001240_S_W		MIDDLE WHEEL MOUNT, 1509
6	4	311001360_A_W		17.5 10 BOLT, DOUBLE ENDED, TWA, 1509
7	8	BLT8C_1x4	AFB-00187	BOLT GR. 8 UNC 1" X 4"
8	16	BLT8C_3-4x2_1-2	AFB-00005	BOLT GR. 8 UNC 3/4" X 2-1/2"
9	8	WSH8_3-4_STR	APW-00042	WASHER GR. 8 - 3/4" STRUCTURAL

## SECTION 1.16

### STRUCTURAL

1509 DIRECT MOUNT  
2 TIRE 23.5 TIRE KIT  
(311100068 KIT)

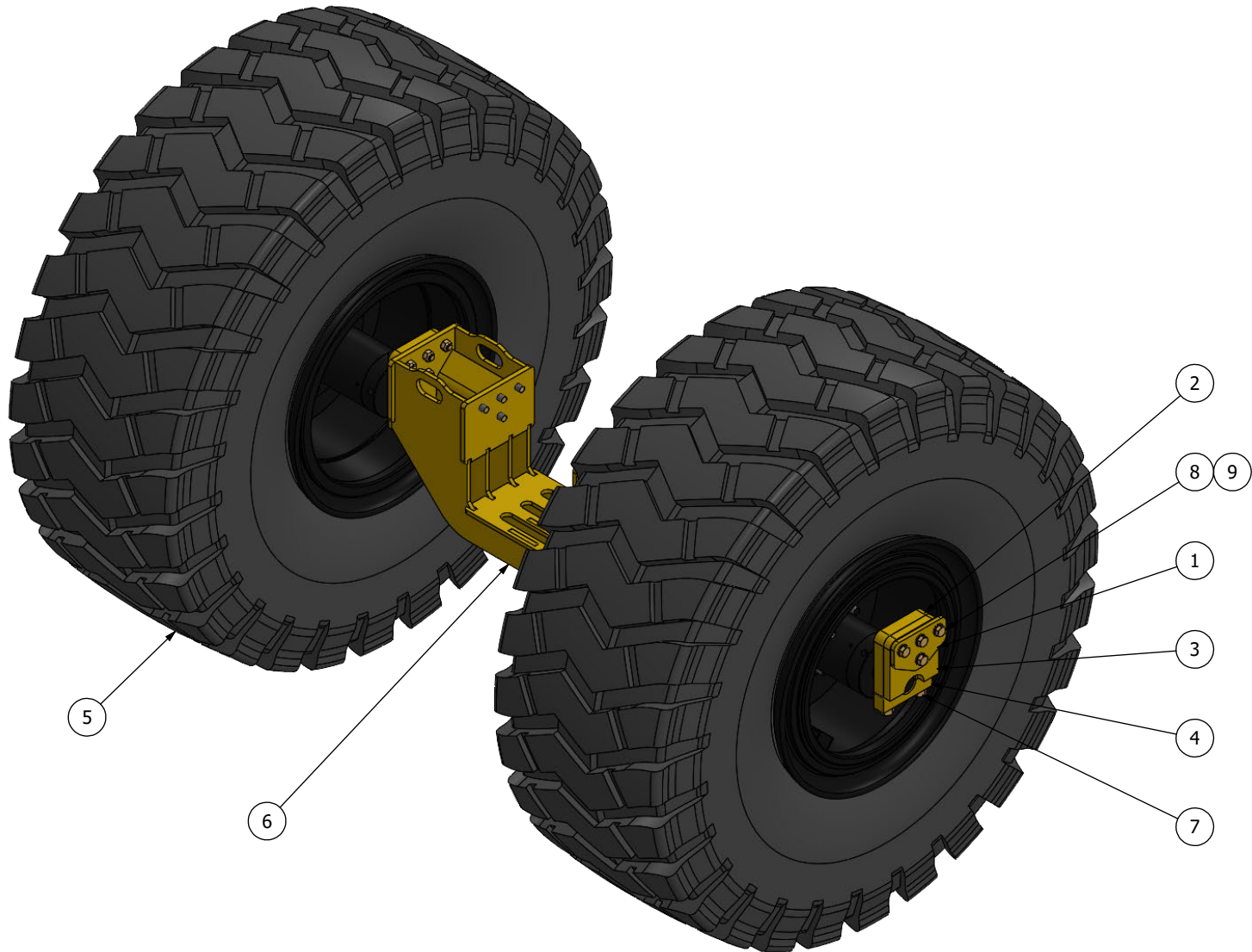


ITEM	QTY.	PART NUMBER	ALT. P.N.	DESCRIPTION
1	2	111002807_c_S-CY		AXLE DOUBLER PLATE 1509
2	2	111002883_cm_W-CY		TAPPED AXLE MOUNT BLOCK, 1509
3	2	111002885_c_XY-CY		AXLE BLOCK SPACER, SIDES, 1509 (2 TIRE)
4	2	211000174_sm_W-CY	504035	AXLE CLAMP BLOCK, 1509+
5	2	311000322_A_W		23.5 WHEEL ASSEMBLY, 1509 / 3013 / 3413
6	1	311001214_S_W		2 TIRE AXLE BRIDGE, 1509
7	4	BLT8C_1x4	AFB-00187	BOLT GR. 8 UNC 1" X 4"
8	8	BLT8C_3-4x3_1-2	AFB-00097	BOLT GR. 8 UNC 3/4" X 3-1/2"
9	8	WSH8_3-4_STR	AFW-00042	WASHER GR. 8 - 3/4" STRUCTURAL

## SECTION 1.16

### STRUCTURAL

1509 DIRECT MOUNT  
2 TIRE 26.5 TIRE KIT  
(311100069 KIT)

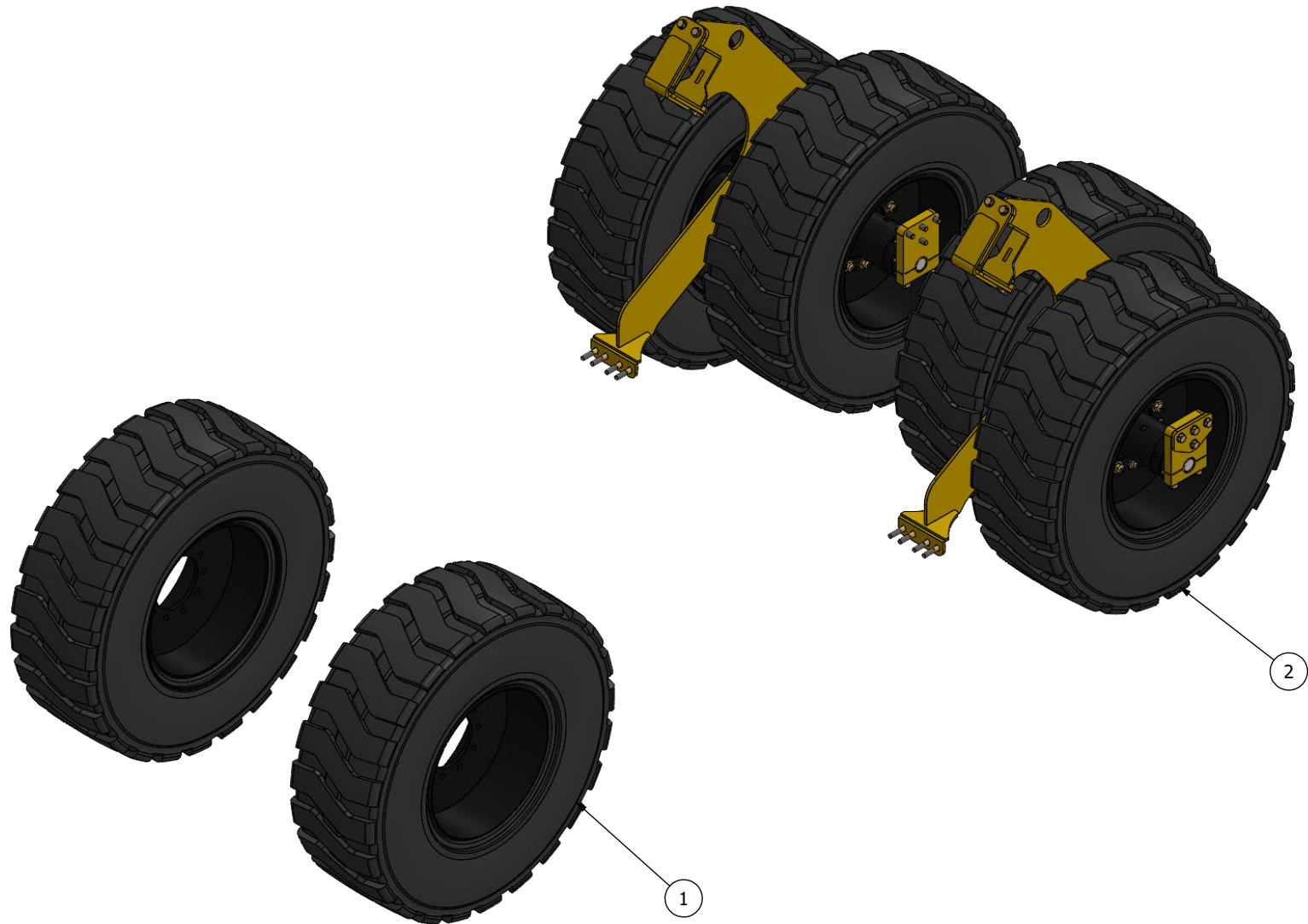


ITEM	QTY.	PART NUMBER	ALT. P.N.	DESCRIPTION
1	2	111002807_c_S-CY		AXLE DOUBLER PLATE 1509
2	2	111002883_cm_W-CY		TAPPED AXLE MOUNT BLOCK, 1509
3	2	111002885_c_XY-CY		AXLE BLOCK SPACER, SIDES, 1509 (2 TIRE)
4	2	211000174_sm_W-CY	504035	AXLE CLAMP BLOCK, 1509+
5	2	311000337_A_W	601559	RADIAL 26.5 WHEEL ASSEMBLY, 3013 / 3413
6	1	311001214_S_W		2 TIRE AXLE BRIDGE, 1509
7	4	BLT8C_1x4	AFB-00187	BOLT GR. 8 UNC 1" X 4"
8	8	BLT8C_3-4x3_1-2	AFB-00097	BOLT GR. 8 UNC 3/4" X 3-1/2"
9	8	WSH8_3-4_STR	AFW-00042	WASHER GR. 8 - 3/4" STRUCTURAL

## SECTION 1.16

### STRUCTURAL

1509 DOLLY  
6 TIRE 17.5 TIRE KIT  
(311100070 KIT)

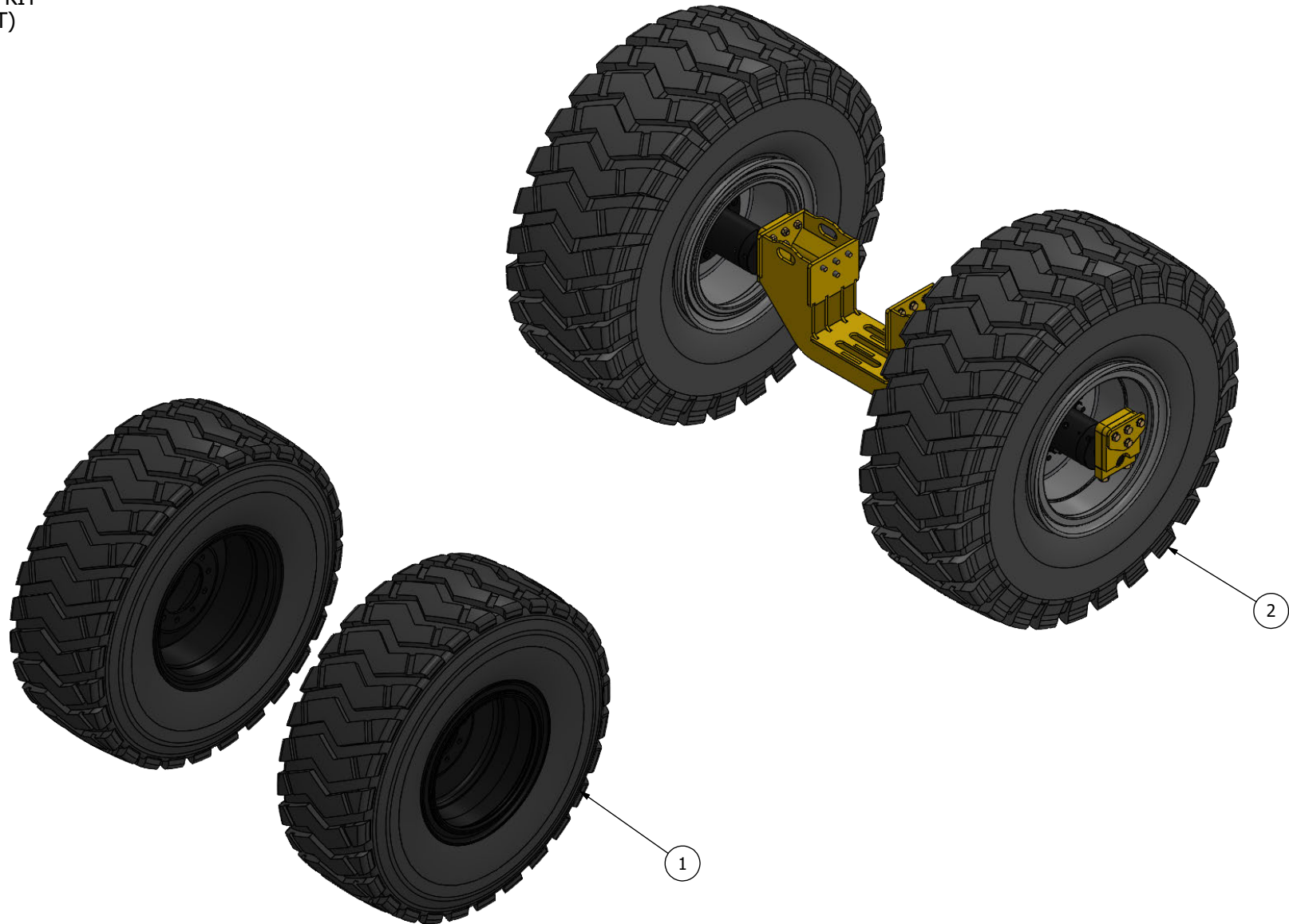


ITEM	QTY.	PART NUMBER	DESCRIPTION
1	2	419_17.5 25 418-0077	419_17.5 25 418-0077
2	1	311100067 KIT	1509 4X 17.5 TIRE KIT

## SECTION 1.16

### STRUCTURAL

1509 DOLLY  
20.5/23.5 TIRE KIT  
(311100071 KIT)

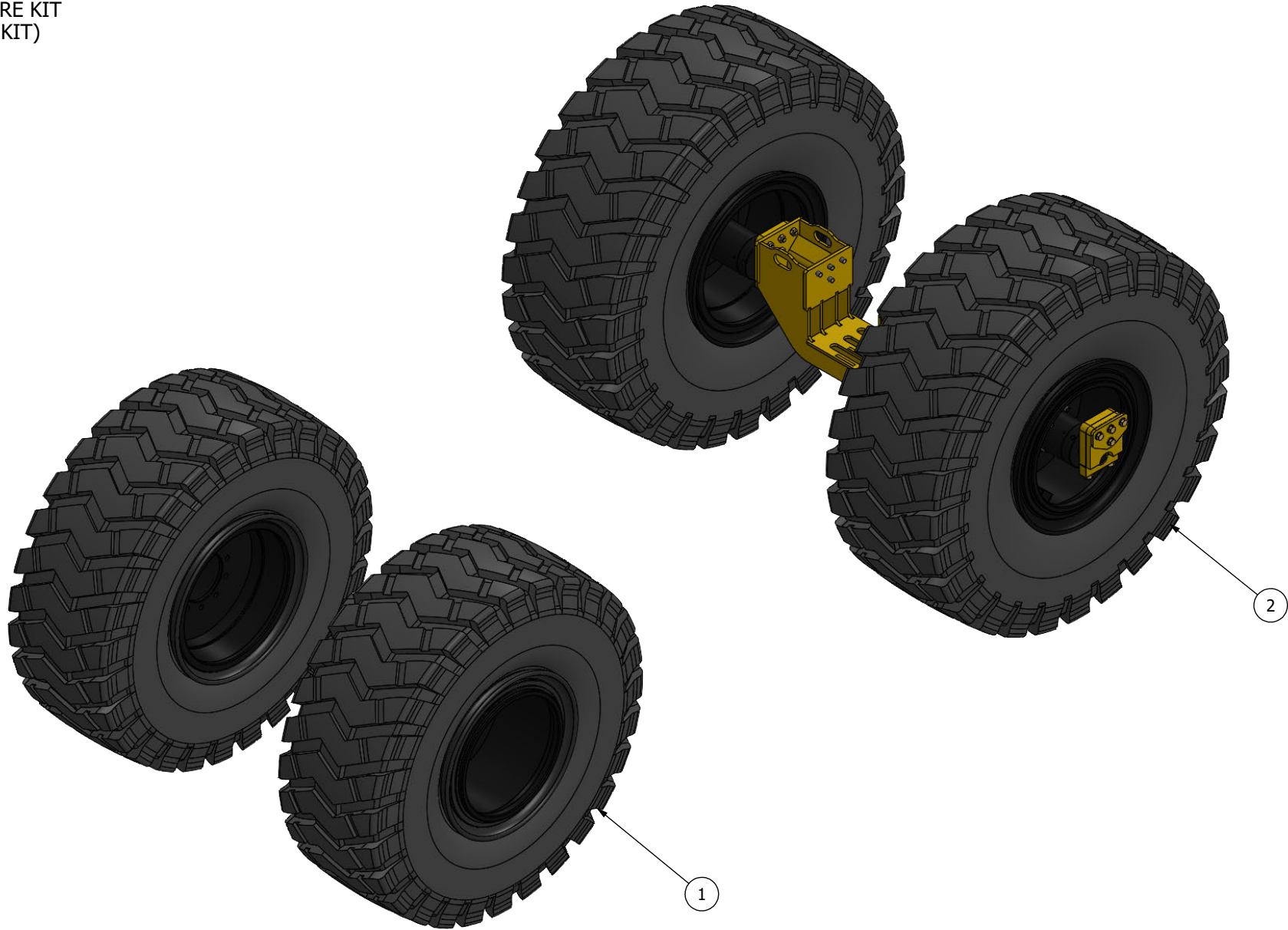


ITEM	QTY.	PART NUMBER	DESCRIPTION
1	2	419_20.5 R25 418-0088	TWA: 20.5 R25 TIRE, 10 HOLE RIM
2	1	311100068 KIT	1509 2X 23.5 TIRE KIT

## SECTION 1.16

### STRUCTURAL

1509 DOLLY  
23.5/26.5 TIRE KIT  
(311100072 KIT)



ITEM	QTY.	PART NUMBER	DESCRIPTION
1	2	600402	23.5 X 25 TIRE AND RIM, I-130 TS2 CE MACHINE
2	1	311100069 KIT	1509 2X 26.5 TIRE KIT

# SECTION 1.17

## STRUCTURAL

1509 REAR WHEEL ASSEMBLY

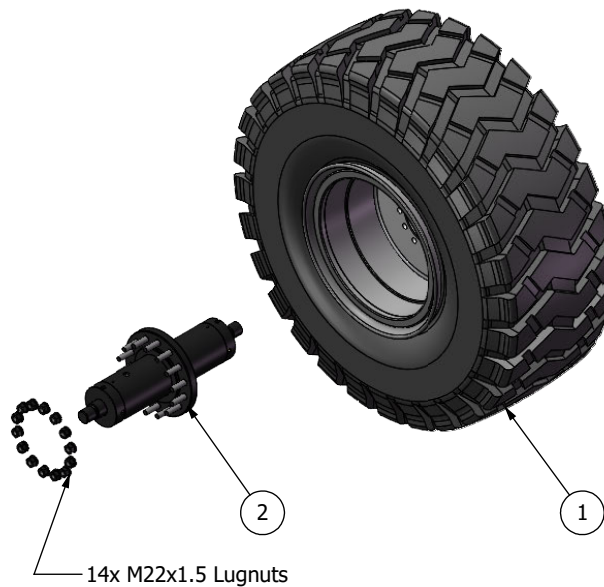
(311001360\_A\_W)

(311000322\_A\_W)

(311000337\_A\_W)



17.5-25 BIAS



23.5 R25



26.5 R25

311001360\_A\_W

311000322\_A\_W

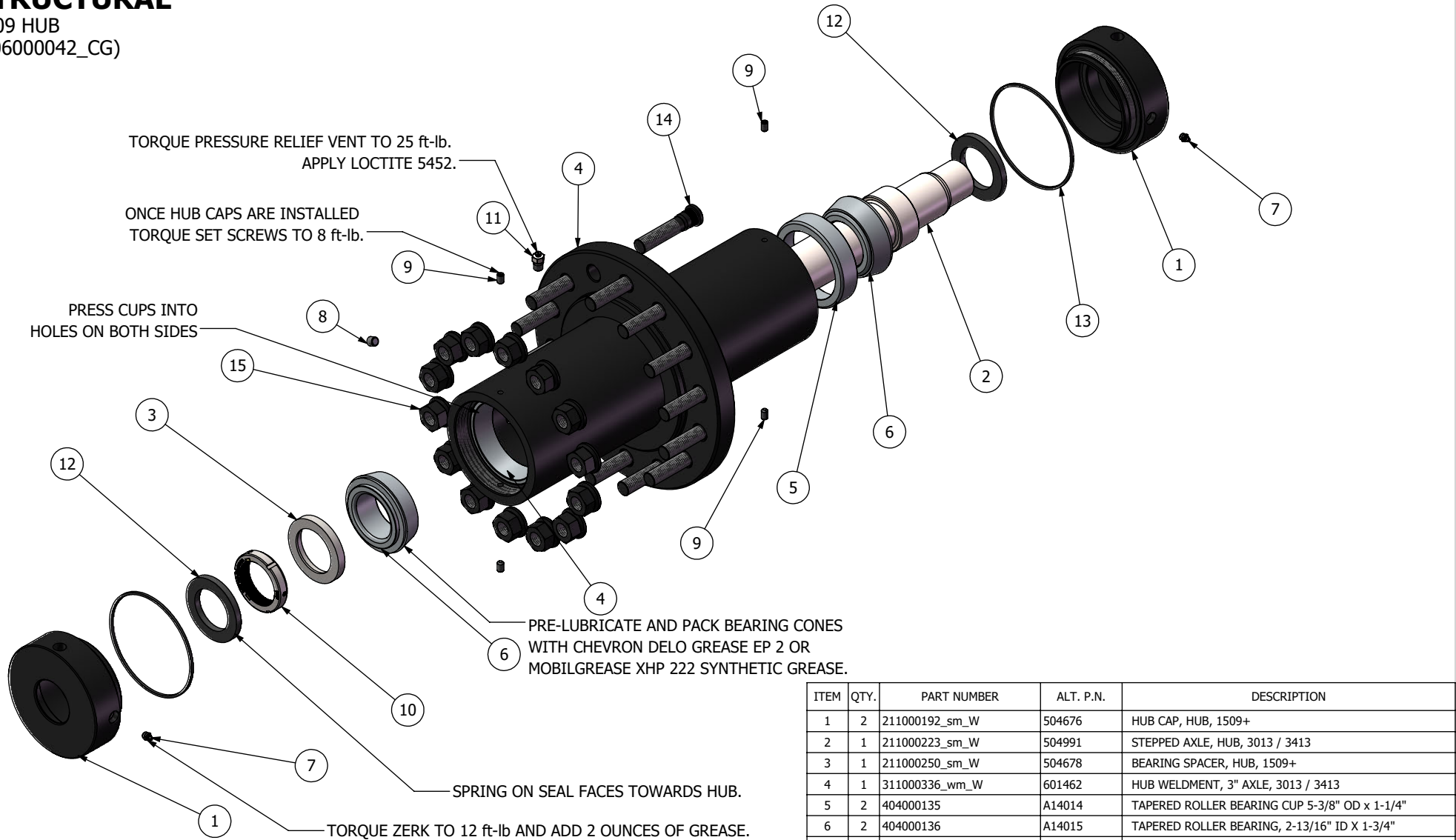
311000337\_A\_W

ITEM	QTY.	PART NUMBER	DESCRIPTION	ITEM	QTY.	PART NUMBER	ALT. P.N.	DESCRIPTION	ITEM	QTY.	PART NUMBER	ALT. P.N.	DESCRIPTION
1	1	419_17.5 25 418-0077	419_17.5 25 418-0077	1	1	419_23.5 R25 418-0085		Wheel - Tire & Rim 23.5 R25	1	1	419_26.5 R25 418-0090		TWA: 26.5R25 RADIAL W/ 14-HOLE WHEEL
2	1	406000046	HUB - 10 BOLT FLANGE	2	1	406000042-CG	601454	HUB ASSEMBLY, 1509/2114/3013/3413	2	1	406000042-CG	601454	HUB ASSEMBLY, 1509/2114/3013/3413

# SECTION 1.17

## STRUCTURAL

1509 HUB  
(406000042\_CG)

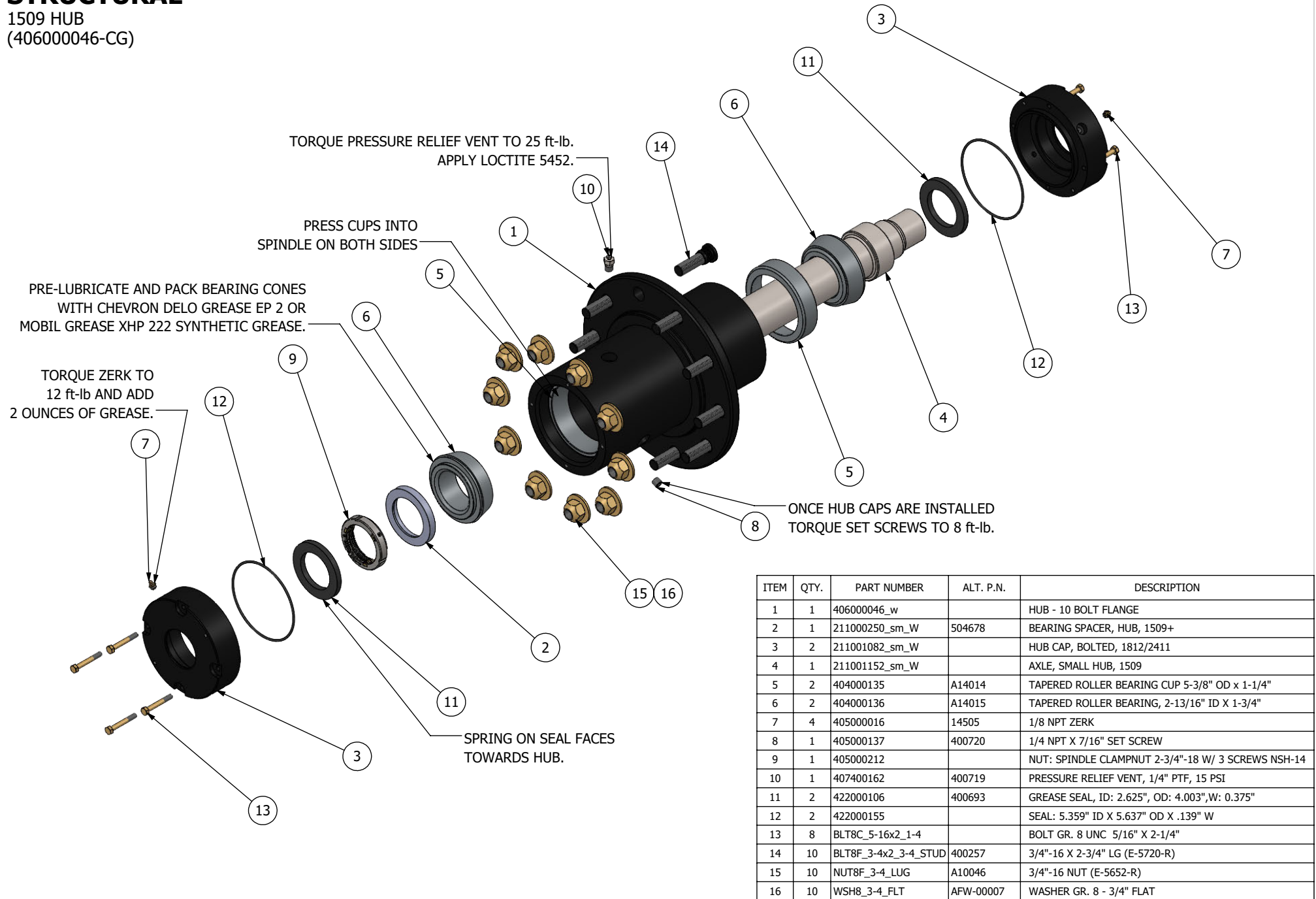


ITEM	QTY.	PART NUMBER	ALT. P.N.	DESCRIPTION
1	2	211000192_sm_W	504676	HUB CAP, HUB, 1509+
2	1	211000223_sm_W	504991	STEPPED AXLE, HUB, 3013 / 3413
3	1	211000250_sm_W	504678	BEARING SPACER, HUB, 1509+
4	1	311000336_wm_W	601462	HUB WELDMENT, 3" AXLE, 3013 / 3413
5	2	404000135	A14014	TAPERED ROLLER BEARING CUP 5-3/8" OD x 1-1/4"
6	2	404000136	A14015	TAPERED ROLLER BEARING, 2-13/16" ID X 1-3/4"
7	2	405000016	14505	1/8 NPT ZERK
8	1	405000137	400720	1/4 NPT X 7/16" SET SCREW
9	4	405000154		3/8"-16 X 5/8" SET SCREW
10	1	405000212		NUT: SPINDLE CLAMPNUT 2-3/4"-18 W/ 3 SCREWS NSH-14
11	1	407400162	400719	PRESSURE RELIEF VENT, 1/4" PTF, 15 PSI
12	2	422000106	400693	GREASE SEAL, ID: 2.625", OD: 4.003", W: 0.375"
13	2	422000152	400791	HUB SEAL, 4061T281 (6-1/4 X 6-1/2)
14	14	BLT10.9_M22x100_1.5_STUD	A125236	M22 X 100 MM GR 10.9 TP 1.5 WHEEL STUD
15	14	NUT8F_M22_1.5_FLG	A125229	NUT GR 8, FINE THREAD FLANGE

# SECTION 1.07

## STRUCTURAL

1509 HUB  
(406000046-CG)



ITEM	QTY.	PART NUMBER	ALT. P.N.	DESCRIPTION
1	1	406000046_w		HUB - 10 BOLT FLANGE
2	1	211000250_sm_W	504678	BEARING SPACER, HUB, 1509+
3	2	211001082_sm_W		HUB CAP, BOLTED, 1812/2411
4	1	211001152_sm_W		AXLE, SMALL HUB, 1509
5	2	404000135	A14014	TAPERED ROLLER BEARING CUP 5-3/8" OD x 1-1/4"
6	2	404000136	A14015	TAPERED ROLLER BEARING, 2-13/16" ID X 1-3/4"
7	4	405000016	14505	1/8 NPT ZERK
8	1	405000137	400720	1/4 NPT X 7/16" SET SCREW
9	1	405000212		NUT: SPINDLE CLAMPNUT 2-3/4"-18 W/ 3 SCREWS NSH-14
10	1	407400162	400719	PRESSURE RELIEF VENT, 1/4" PTF, 15 PSI
11	2	422000106	400693	GREASE SEAL, ID: 2.625", OD: 4.003", W: 0.375"
12	2	422000155		SEAL: 5.359" ID X 5.637" OD X .139" W
13	8	BLT8C_5-16x2_1-4		BOLT GR. 8 UNC 5/16" X 2-1/4"
14	10	BLT8F_3-4x2_3-4_STUD	400257	3/4"-16 X 2-3/4" LG (E-5720-R)
15	10	NUT8F_3-4_LUG	A10046	3/4"-16 NUT (E-5652-R)
16	10	WSH8_3-4_FLT	AFW-00007	WASHER GR. 8 - 3/4" FLAT

## SECTION 2.00

# HYDRAULICS

## HYDRAULIC FITTINGS TORQUE SPECIFICATIONS

### JIC Flare Torque Values (Lubricated)

SAE No.	Tube Size O.D.	Nut Size Across Flats	Torque Value N.m	Torque Value lb.-ft.	F.F.F.T Flats
-04	1/4"	9/16"	15-16	11-12	2
-06	3/8"	11/16"	24-27	18-20	1 1/2
-08	1/2"	7/8"	41-53	36-39	1 1/2
-12	3/4"	1-1/4"	107-119	79-88	1 1/4
-16	1"	1-1/2"	146-153	108-113	1
-20	1 1/4"	1-7/8"	172-180	127-133	1
-24	1 1/2"	2-1/8"	214-226	158-167	1

### O-Ring Boss Torque Values (Lubricated)

SAE No.	Tube Size O.D.	Nut Size Across Flats	Torque Value N.m	Torque Value lb.-ft.	F.F.F.T Flats
-04	1/4"	9/16"	18-20	13-15	1
-06	3/8"	11/16"	27-34	22-25	1
-08	1/2"	7/8"	54-58	40-43	1
-12	3/4"	1-1/4"	92-102	68-75	1
-16	1"	1-1/2"	152-169	112-1 23	3/4
-20	1 1/4"	1-7/8"	198-226	146-200	3/4
-24	1 1/2"	2-1/8"	209-291	154-215	1/2

### O-Ring Face Seal Torque Values (Lubricated)

SAE No.	Tube Size O.D.	Nut Size Across Flats	Torque Value N.m	Torque Value lb.-ft.	F.F.F.T Flats
-04	1/4"	9/16"	14-16	10-12	1
-06	3/8"	11/16"	24-27	18-20	1
-08	1/2"	7/8"	43-47	32-35	1
-12	3/4"	1-1/4"	88-95	65-70	1
-16	1"	1-1/2"	125-136	92-100	3/4
-20	1 1/4"	1-7/8"	170-190	125-140	3/4
-24	1 1/2"	2-1/8"	203-224	150-165	3/4

### Pipe Thread Torque Values

SAE No.	Tube Size O.D.	Nut Size Across Flats	Torque Value N.m	Torque Value lb.-ft.	F.F.F.T Flats
-04	1/4"	9/16"	34	25	3/4-1 3/4
-06	3/8"	11/16"	54	40	3/4-1 3/4
-08	1/2"	7/8"	73	54	1/2-1 1/2
-12	3/4"	1-1/4"	106	78	1/2-1 1/2
-16	1"	1-1/2"	152	112	1/2-1 1/2
-20	1 1/4"	1-7/8"	209	154	1/2-1 1/2
-24	1 1/2"	2-1/8"	286	211	1/2-1 1/2

#### Flats From Finger Tight (F.F.F.T)

is a **Turn Method** that counts the number of hex flats past the finger tightened position.

#### Assembly Steps With a Visual Check

- 1) With the tube flared, make sure the tubing and threads are clean.
- 2) Lubricate the threads with 10W hydraulic oil.
- 3) Hand tighten the nut/sleeve (approx. 30 lb-in.).
- 4) Make alignment marks on the nut and fitting.
- 5) Proceed to tighten to F.F.F.T. or lb-ft. values.
- 6) When fully tightened make a 2nd set of alignment marks at the fully tightened position.

#### O-Ring Boss Assembly

- 1) Inspect the components and make sure the port, O-ring, sealing surfaces, and threads are clean, and free of damage.
- 2) Install an O-ring if needed. Take special care not to cut it on the threads. We install our O-rings with special mandrels, or cones.
- 3) Lubricate the threads and O-ring with 10W hydraulic oil.
- 4) For an adjustable ORB, completely back off the locknut/washer.
- 5) Hand tighten the fitting until it contacts the port surface.
- 6) Proceed to tighten the proper specified torque value.

#### As the Temperature Rises • •

- + 212F = Water boils off.
- + 600F = Flux starts to bubble.
- + 800F = Flux becomes translucent.
- + 1100F = Flux melts and becomes clear and active, looks like water.
- + 1125F = Silver braze ring melts.
- + 1140F = Silver flows evenly throughout the joint allowing the braze sleeve to drop and be fully seated.  
At this point the metal will take on a dark reddish look.

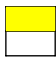
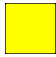


# SECTION 2.00

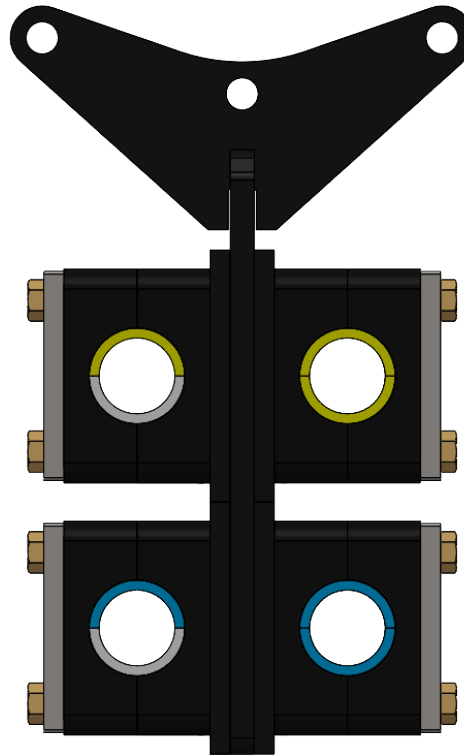
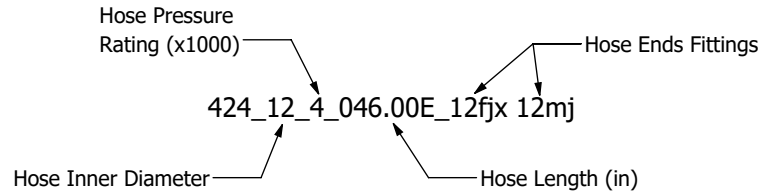
## HYDRAULICS

### HYDRAULICS CODING BREAKDOWN

- mj - Male JIC
- fj Female JIC
- mp - Male Pipe
- fp - Female Pipe
- mb - Male ORB
- fb - Female ORB
- x - Swivel
- mf - Male Flat Face
- ff - Female Flat Face

- 6 - 3/8"
- 8 - 1/2"
- 12 - 3/4"
- 16 - 1"

- REMOTE 1  LIFT UP
- REMOTE 1  LIFT DOWN
- REMOTE 2  GATE CLOSE / EJECTOR RETRACT
- REMOTE 2  GATE OPEN / EJECTOR EXTEND



VIEW FROM FRONT OF SCRAPER  
(HOSE ALIGNMENT IS THE SAME AT BULKHEAD)

### FACTORY RECOMMENDED CONTROL SET UP

SOLID COLOR HOSES

LIFT DOWN      GATE OPEN      EJECTOR EXTEND

REMOTE 1      REMOTE 2  
YELLOW      BLUE

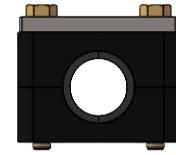
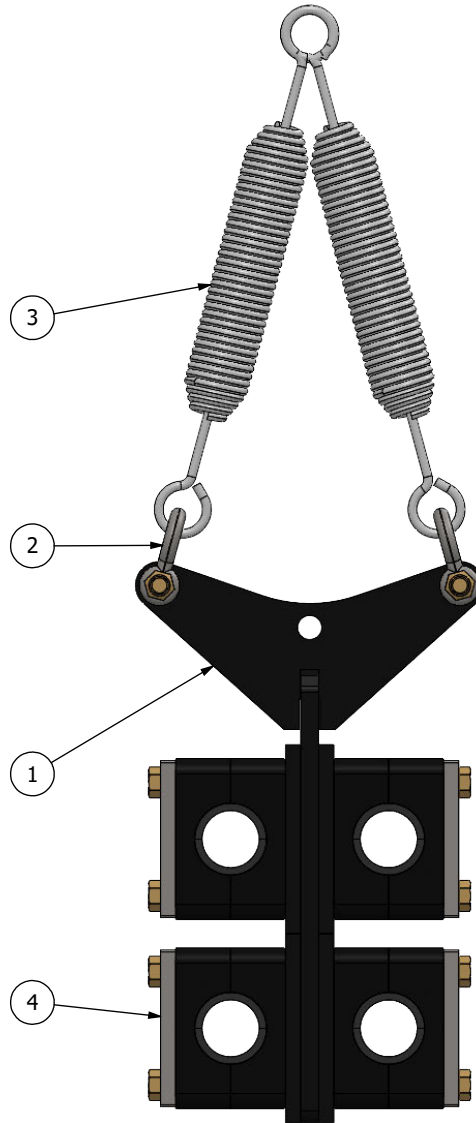
LIFT UP      GATE CLOSE      EJECTOR RETRACT

DOTTED COLOR HOSES

## SECTION 2.00

### HYDRAULICS

1509 DIRECT MOUNT HYDRAULIC HOSE HANGER  
(311001158\_A\_H)



407610319 KIT

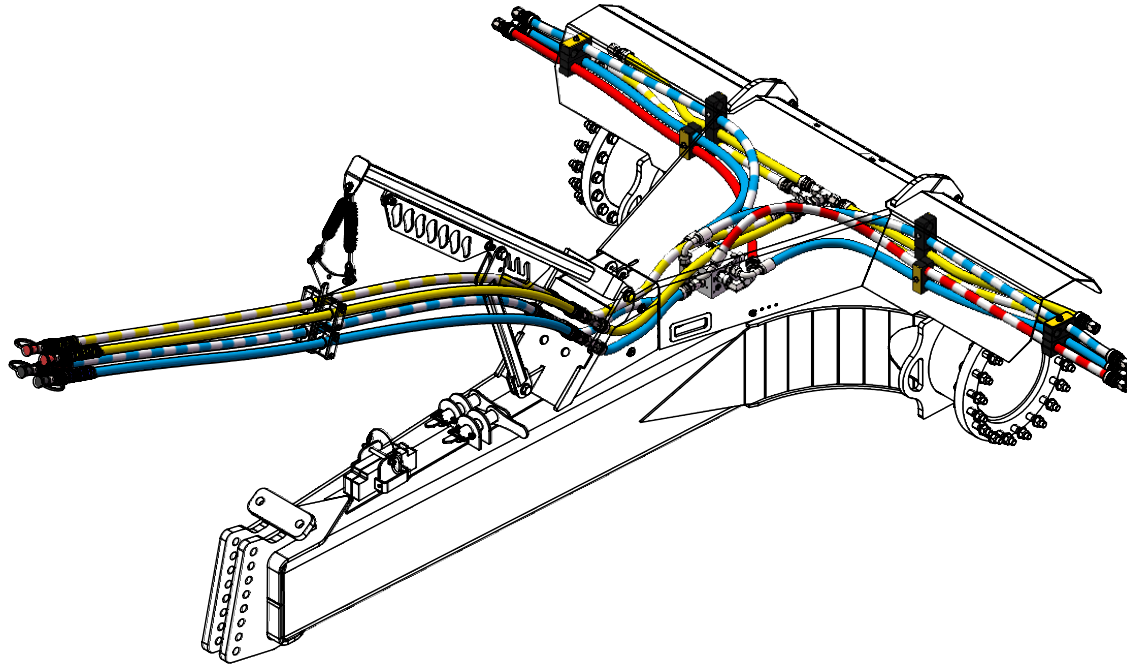
ITEM	QTY.	PART NUMBER	DESCRIPTION
1	1	407600324	RUBBER INSERT: 30 MM
2	1	407600328	COVER PLATE FOR SINGLE CLAMP 5S
3	2	407600329	CLAMP HALF 5S
4	2	BLT8C_3-8x2_3-4	BOLT GR. 8 UNC 3/8" X 2-3/4"

ITEM	QTY.	PART NUMBER	DESCRIPTION
1	1	311001292_w_H-CG	4 PLACE CLAMP HANGER
2	2	405100075	SHACKLE 5/16" WITH BOLT & NUT
3	2	405400007	SHORT SWIVEL HOOK SPRING
4	4	407610319	CLAMP ASSEMBLY 30MM

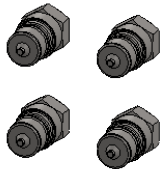
## SECTION 2.01

# HYDRAULICS

1509 DIRECT MOUNT POLE



ITEM	QTY.	PART NUMBER	ALT. P.N.	DESCRIPTION
1	3	4071_12mb_12mj	AHA-00041	ADAPTER MORB-12 X MJIC-12
2	2	4071_12mb_12mj90	AHA-00044	3/4" MJIC X 3/4" ORB 90 DEG. ADAPTOR
3	1	4071_12mj_12fjx_12mj	AHA-00049	TEE MALE MJIC-12 X FJIC-12 SWIVEL X MJIC-12
4	1	4071_12mj_12mb_12mj		TEE RUN NIPPLE ADAPTER MORB-12 X MJIC-12 X MJIC-12
5	2	4071_12mj_12mj_12fjx		TEE BRANCH FEMALE MJIC-12 X MJIC-12 X FJIC-12 SWIVEL
6	6	4071_12mj_12mj_BH	AHA-00096	BULKHEAD MJIC-12 X MJIC-12
7	6	4071_12mj_BH nut	AHA-00099	BULKHEAD NUT JIC 3/4"
8	2	407000073	400210	DUST CAP MALE 1/2" BODY QUICK CONNECT - BLACK
9	2	407000074	400219	DUST CAP MALE 1/2" BODY QUICK CONNECT - RED
10	4	407300086		MALE TIP - 12 FNPT X 1/2" BODY (ISO 5675)
11	1	407400161	A125174	SUN # A601 208 A07 VALVE MANFOLD BLOCK
12	6	407610039 KIT		SINGLE STACK CLAMP ASSEMBLY, .75" HOSE
13	2	407610074 KIT		DOUBLE STACK CLAMP ASSEMBLY, .75" HOSE
14	1	410400001		Hose Marker - Yellow+
15	1	410400002		Hose Marker - Yellow-
16	1	410400003		Hose Marker - Blue+
17	1	410400004		Hose Marker - Blue-
18	2	424207112		HOSE - 12_114.00E_12mp 12fjx
19	2	424207113		HOSE - 12_112.00E_12mp 12fjx
20	2	424207114		HOSE - 12_039.50E_12fjx 12fjx
21	1	424207115		HOSE - 12_041.00E_12fjx 12fjx
22	1	424207116		HOSE - 12_045.50E_12fjx 12fjx
23	1	424207117		HOSE - 12_042.00E_12fjx 12fjx
24	1	424207118		HOSE - 12_044.00E_12fjx 12fjx
25	1	424207119		HOSE - 12_020.00E_12fjx 12fjx
26	1	424207120		HOSE - 12_021.50E_12fjx 12fjx
27	1	424207121		HOSE - 12_062.50E_12fjx 12fjx90
28	1	424207122		HOSE - 12_071.00E_12fjx 12fjx90
29	1	424207123		HOSE - 12_064.00E_12fjx 12fjx
30	1	424207124		HOSE - 12_066.50E_12fjx 12fjx45
31	1	424207125		HOSE - 12_070.00E_12fjx 12fjx90
32	1	424207126		HOSE - 12_062.50E_12fjx 12fjx90
33	2	BLT5C_1-2x4_1-2	AFB-00012	BOLT GR. 5 UNC 1/2" X 4-1/2"



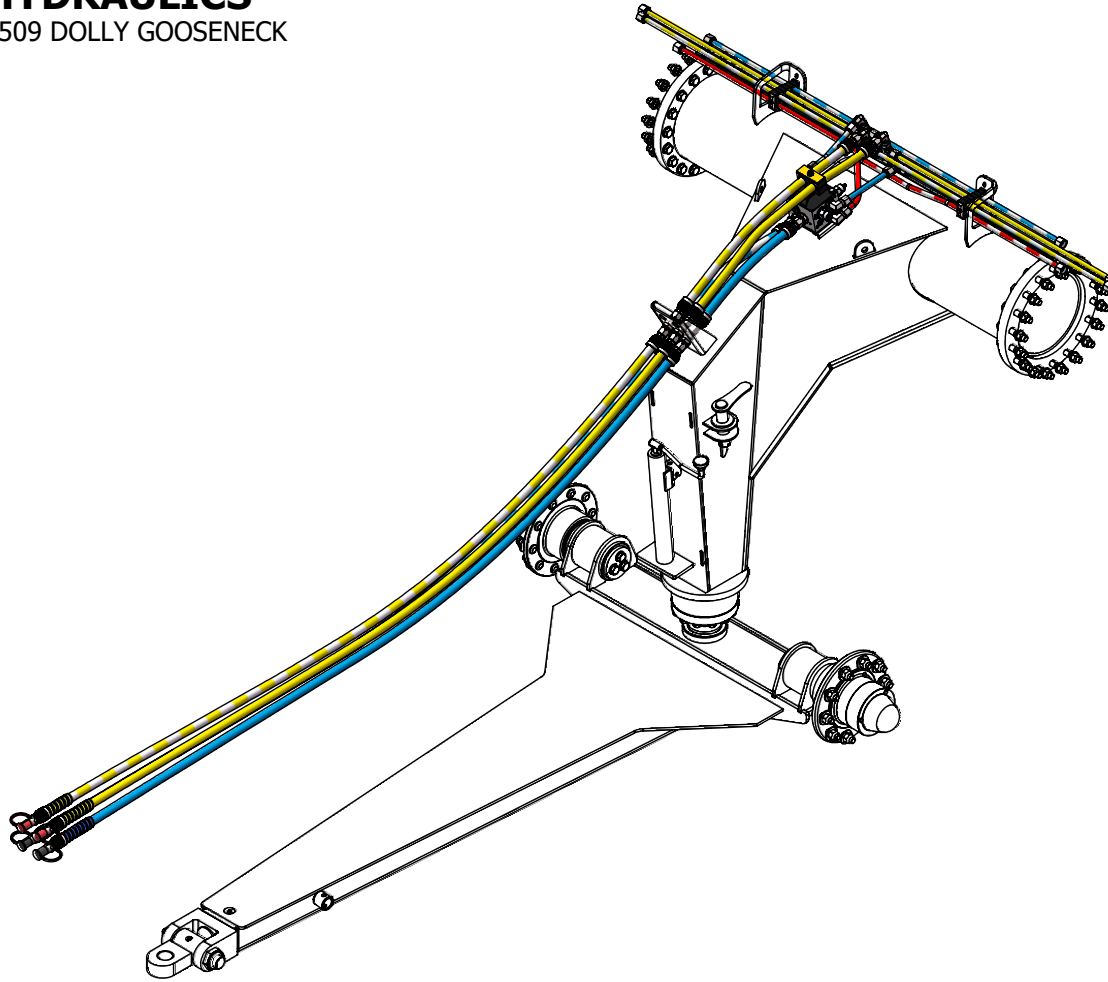
OPTION - 3/4" TIPS

ITEM	QTY.	PART NUMBER	DESCRIPTION
1	4	407300016	3/4" Body FNPT Tip - 12 (ISO 7241-1)

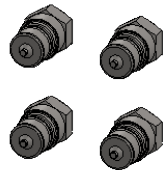
# SECTION 2.01

## HYDRAULICS

1509 DOLLY GOOSENECK



ITEM	QTY.	PART NUMBER	ALT. P.N.	DESCRIPTION
1	2	4071_12mb_12mj	AHA-00041	ADAPTER MORB-12 X MJIC-12
2	3	4071_12mb_12mj90	AHA-00044	3/4" MJIC X 3/4" ORB 90 DEG. ADAPTOR
3	1	4071_12mb_PLUG_SKT	AHA-00094	PLUG, SAE12 MORB HOLLOW HEX
4	1	4071_12mj_12fjx_12mj	AHA-00049	TEE MALE MJIC-12 X FJIC-12 SWIVEL X MJIC-12
5	4	4071_12mj_12fjx90		ADAPTER 90° MJIC-12 X FJIC-12 SWIVEL12fjx90
6	4	4071_12mj_12mj_12mj		TEE MJIC-12 3 WAY
7	4	4071_12mj_12mj_BH	AHA-00096	BULKHEAD MJIC-12 X MJIC-12
8	4	4071_12mj_BH nut	AHA-00099	BULKHEAD NUT JIC 3/4"
9	1	4076_CS_0750		WIRE HARNESS PASS THROUGH
10	2	407000073	400210	DUST CAP MALE 1/2" BODY QUICK CONNECT - BLACK
11	2	407000074	400219	DUST CAP MALE 1/2" BODY QUICK CONNECT - RED
12	4	407300086		MALE TIP - 12 FNPT X 1/2" BODY (ISO 5675)
13	1	407400161	A125174	SUN # A601 208 A07 VALVE MANFOLD BLOCK
14	1	407610039 KIT		SINGLE STACK CLAMP ASSEMBLY, .75" HOSE
15	2	407610402	600516	TRIPLE STACK CLAMP ASSEMBLY (19 MM)
16	1	410400001		Hose Marker - Yellow+
17	1	410400002		Hose Marker - Yellow-
18	1	410400003		Hose Marker - Blue+
19	1	410400004		Hose Marker - Blue-
20	2	424207142		12_023.50E_12fjx 12fjx
21	1	424207143		12_039.50E_12fjx 12fjx
22	1	424207144		12_038.00E_12fjx 12fjx
23	2	424207145		12_137.25E_12mp 12fjx
24	2	424207146		12_137.50E_12mp 12fjx
25	2	426001243		RIGHT APRON EXTEND TUBE, 1509
26	2	426001244		LONG LIFT TUBE, 1509
27	2	426001245		SHORT LIFT TUBE, 1509
28	2	426001248		APRON RETRACT TUBE, 1509
29	1	426001510		EJECTOR LINE, 1509
30	1	426001511		GATE OPEN, 1509
31	1	426001512		GATE CLOSE, 1509
32	1	426001513		EJECTOR RETRACT, 1509
33	2	BLT5C_1-2x4_1-2	AFB-00012	BOLT GR. 5 UNC 1/2" X 4-1/2"
34	1	111002728_c_H		CLAMP MOUNTING PLATE, FRONT SECTION, 1509
35	1	111002808_cb_N		HYD HOSE MOUNT BRACKET



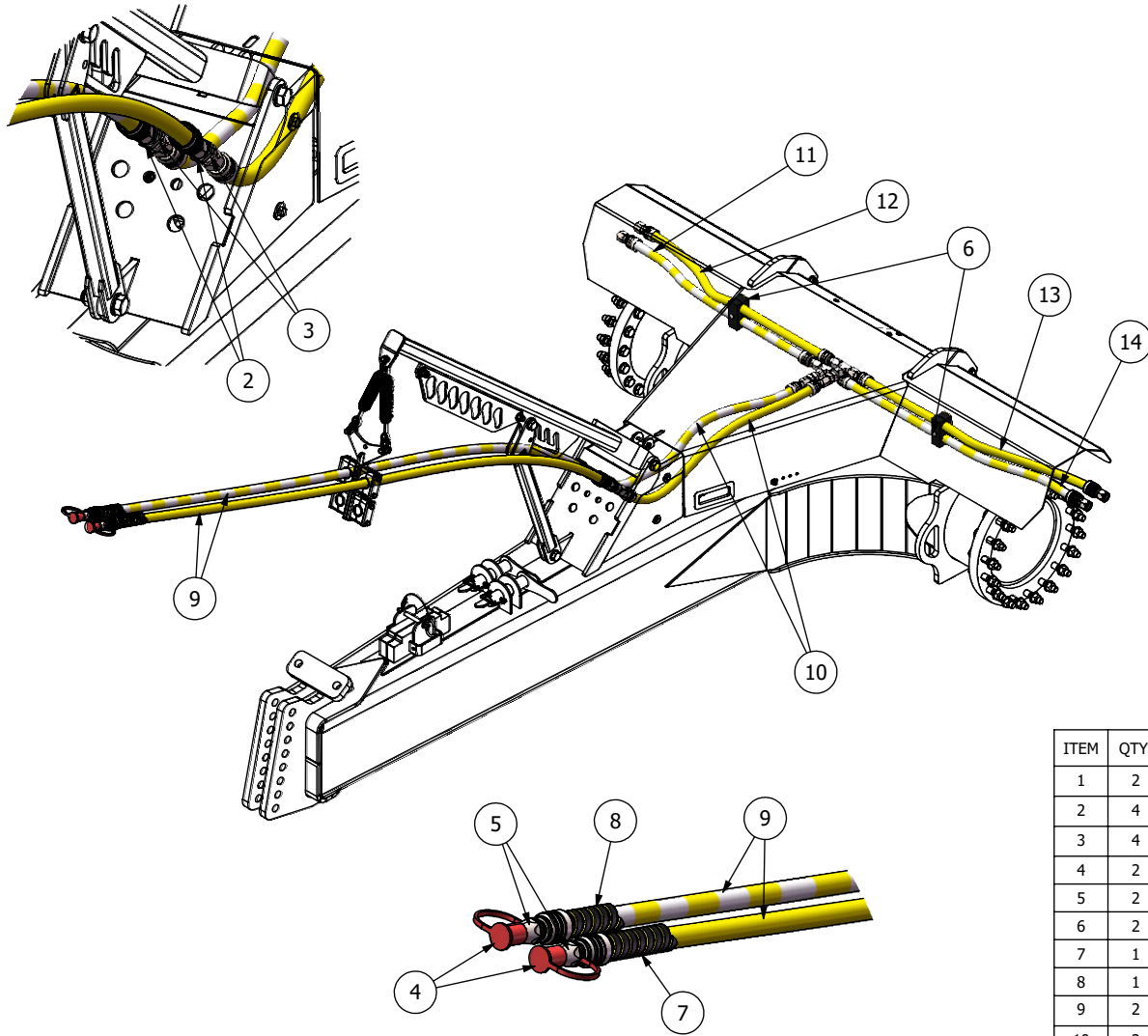
OPTION - 3/4" TIPS

ITEM	QTY.	PART NUMBER	DESCRIPTION
1	4	407300016	3/4" Body FNPT Tip - 12 (ISO 7241-1)

# SECTION 2.01

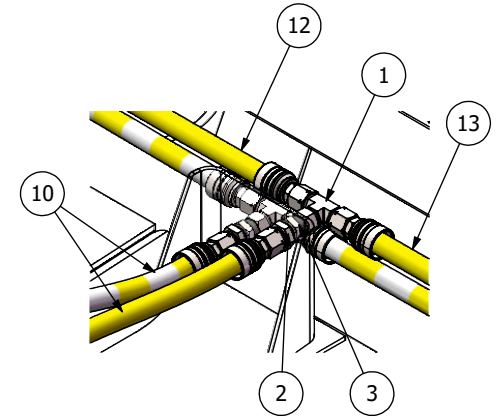
## HYDRAULICS

1509 DIRECT MOUNT POLE, LIFT



407610039 KIT

ITEM	QTY.	PART NUMBER	DESCRIPTION
1	1	101003016_c-CV	PLATE 1.2" TWIN CLAMP
2	2	407000003	CLAMP TWIN .75" HYD. HOSE
3	1	BLT5C_3-8x3_CRG	BOLT 3/8" UNC CARRIAGE
4	1	NUT8C_3-8_STL	NUT: STOVER, 3/8" UNC
5	1	WSH8_3-8_STR	WASHER GR. 8 - 3/8" STRUCTURAL

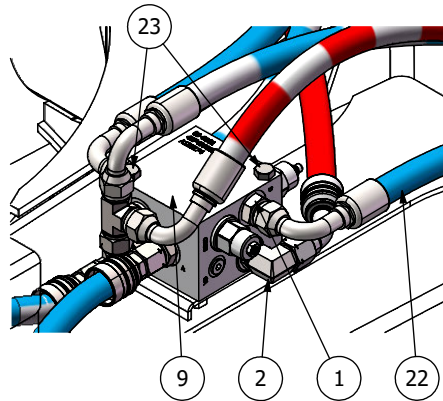
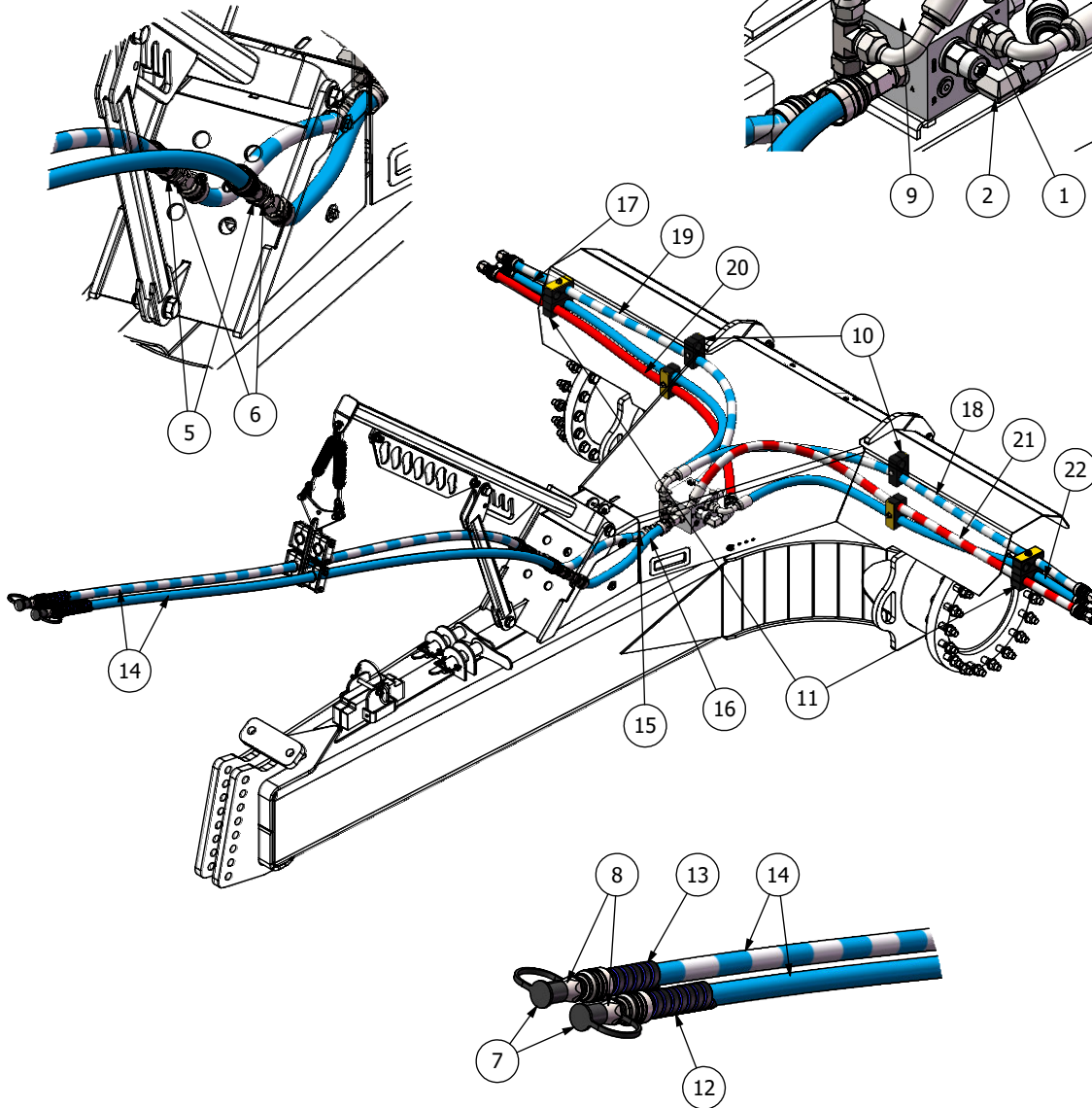


ITEM	QTY.	PART NUMBER	ALT. P.N.	DESCRIPTION
1	2	4071_12mj_12mj_12fjx		TEE BRANCH FEMALE MJIC-12 X MJIC-12 X FJIC-12 SWIVEL
2	4	4071_12mj_12mj_BH	AHA-00096	BULKHEAD MJIC-12 X MJIC-12
3	4	4071_12mj_BH nut	AHA-00099	BULKHEAD NUT JIC 3/4"
4	2	407000074	400219	DUST CAP MALE 1/2" BODY QUICK CONNECT - RED
5	2	407300086		MALE TIP - 12 FNPT X 1/2" BODY (ISO 5675)
6	2	407610039 KIT		SINGLE STACK CLAMP ASSEMBLY, .75" HOSE
7	1	410400001		Hose Marker - Yellow+
8	1	410400002		Hose Marker - Yellow-
9	2	424207112		HOSE - 12_114.00E_12mp 12fjx
10	2	424207114		HOSE - 12_039.50E_12fjx 12fjx
11	1	424207115		HOSE - 12_041.00E_12fjx 12fjx
12	1	424207116		HOSE - 12_045.50E_12fjx 12fjx
13	1	424207117		HOSE - 12_042.00E_12fjx 12fjx
14	1	424207118		HOSE - 12_044.00E_12fjx 12fjx

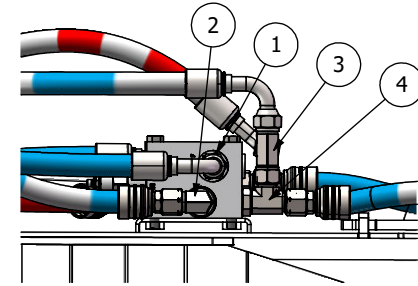
# SECTION 2.01

## HYDRAULICS

1509 DIRECT MOUNT POLE, GATE & EJECTOR



407610039 KIT				407610074 KIT			
ITEM	QTY.	PART NUMBER	DESCRIPTION	ITEM	QTY.	PART NUMBER	DESCRIPTION
1	1	101003016_c-CY	PLATE 1.2" TWIN CLAMP	1	1	101003016_c-CY	PLATE 1.2" TWIN CLAMP
2	2	407000003	CLAMP TWIN .75" HYD. HOSE	2	4	407000003	CLAMP TWIN .75" HYD. HOSE
3	1	BLT5C_3-8x3_CRG	BOLT 3/8" UNC CARRIAGE	3	1	BLT5C_3-8x5_CRG	BOLT GR. 5 UNC 3/8" X 5" CARRIAGE
4	1	NUT8C_3-8_STL	NUT: STOVER, 3/8" UNC	4	1	NUT8C_3-8_STL	NUT: STOVER, 3/8" UNC
5	1	WSHR_3-8_STR	WASHER GR. 8 - 3/8" STRUCTURAL	5	1	WSHR_3-8_STR	WASHER GR. 8 - 3/8" STRUCTURAL

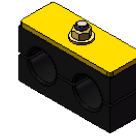
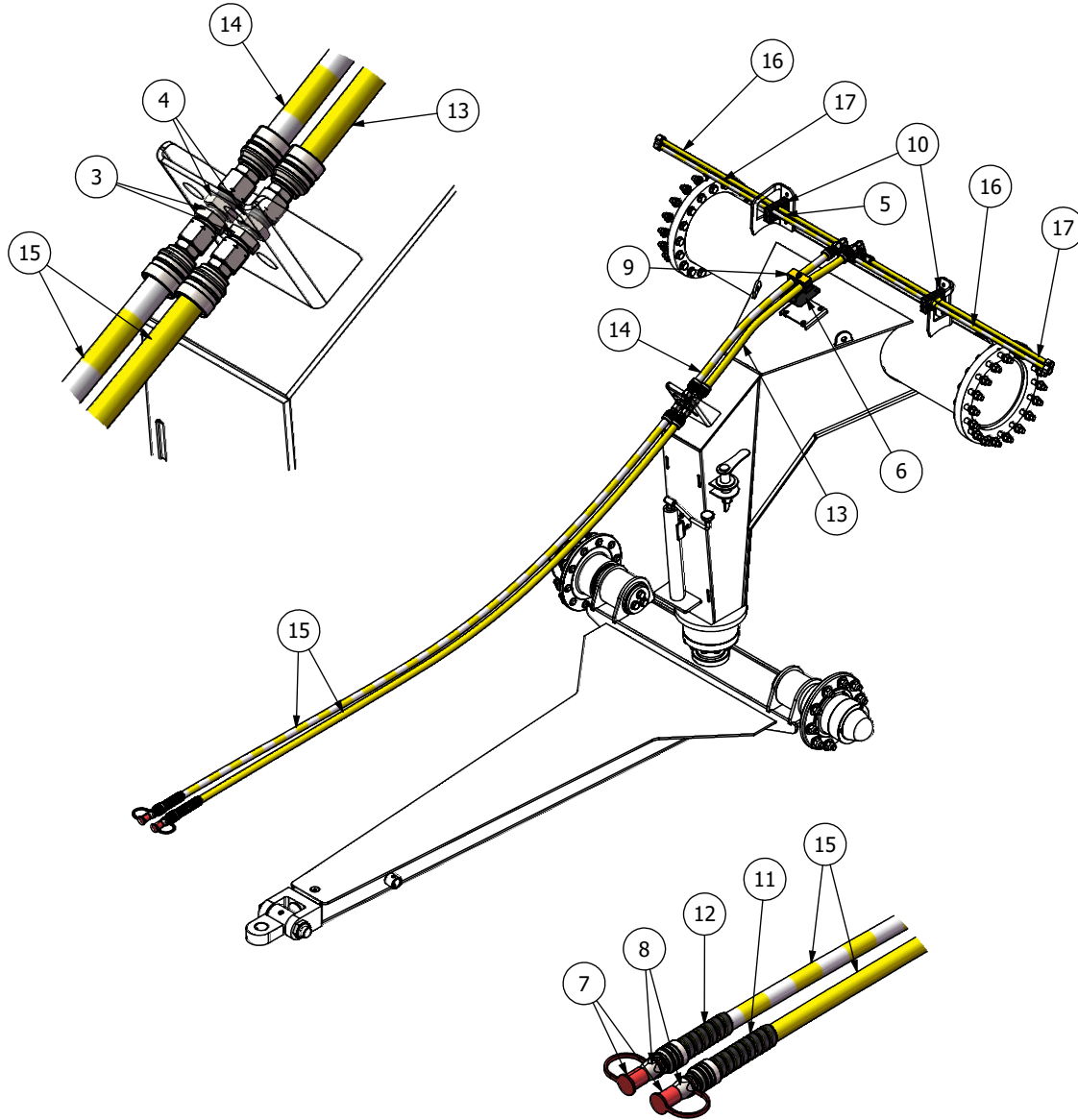


ITEM	QTY.	PART NUMBER	ALT. P.N.	DESCRIPTION
1	3	4071_12mb_12mj	AHA-00041	ADAPTER MORB-12 X MJIC-12
2	2	4071_12mb_12mj90	AHA-00044	3/4" MJIC X 3/4" ORB 90 DEG. ADAPTOR
3	1	4071_12mj_12fjx_12mj	AHA-00049	TEE MALE MJIC-12 X FJIC-12 SWIVEL X MJIC-12
4	1	4071_12mj_12mj_12mj		TEE RUN NIPPLE ADAPTER MORB-12 X MJIC-12 X MJIC-12
5	2	4071_12mj_12mj_BH	AHA-00096	BULKHEAD MJIC-12 X MJIC-12
6	2	4071_12mj_BH nut	AHA-00099	BULKHEAD NUT JIC 3/4"
7	2	407000073	400210	DUST CAP MALE 1/2" BODY QUICK CONNECT - BLACK
8	2	407300086		MALE TIP - 12 FNPT X 1/2" BODY (ISO 5675)
9	1	407400161	A125174	SUN # A601 208 A07 VALVE MANFOLD BLOCK
10	4	407610039 KIT		SINGLE STACK CLAMP ASSEMBLY, .75" HOSE
11	2	407610074 KIT		DOUBLE STACK CLAMP ASSEMBLY, .75" HOSE
12	1	410400003		Hose Marker - Blue+
13	1	410400004		Hose Marker - Blue-
14	2	424207113		HOSE - 12_112.00E_12mp 12fjx
15	1	424207119		HOSE - 12_020.00E_12fjx 12fjx
16	1	424207120		HOSE - 12_021.50E_12fjx 12fjx
17	1	424207121		HOSE - 12_062.50E_12fjx 12fjx90
18	1	424207122		HOSE - 12_071.00E_12fjx 12fjx90
19	1	424207123		HOSE - 12_064.00E_12fjx 12fjx
20	1	424207124		HOSE - 12_066.50E_12fjx 12fjx45
21	1	424207125		HOSE - 12_070.00E_12fjx 12fjx90
22	1	424207126		HOSE - 12_062.50E_12fjx 12fjx90
23	2	BLT5C_1-2x4_1-2	AFB-00012	BOLT GR. 5 UNC 1/2" X 4-1/2"

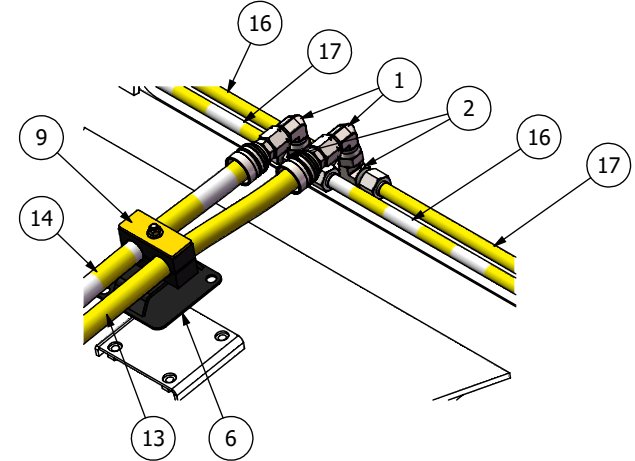
# SECTION 2.01

## HYDRAULICS

1509 DOLLY GOOSENECK, LIFT



ITEM	QTY.	PART NUMBER	DESCRIPTION	ITEM	QTY.	PART NUMBER	DESCRIPTION
1	1	101003016_c-CY	PLATE 1.2" TWIN CLAMP	1	1	407600336	PIPE CLAMPS TWIN SERIES DIN 3015, COVER PLATE 3D
2	2	407000003	CLAMP TWIN .75" HYD. HOSE	2	2	407600339	STACKING BOLT FOR TWIN CLAMPS 3D 5/16-18 UNC
3	1	BLTSC_3-8x3_CRG	BOLT 3/8" UNC CARRIAGE	3	2	407600340	TWIN CLAMP SAFETY LOCKING PLATE 2-3D
4	1	NUT8C_3-8_STL	NUT: STOVER, 3/8" UNC	4	6	407600351	HOSE CLAMP HALF TWIN 3D 19 MM
5	1	WSH8_3-8_STR	WASHER GR. 8 - 3/8" STRUCTURAL	5	1	BLT8C_5-16x1_3-4	BOLT GR. 8 UNC. 5/16" X 1-3/4"

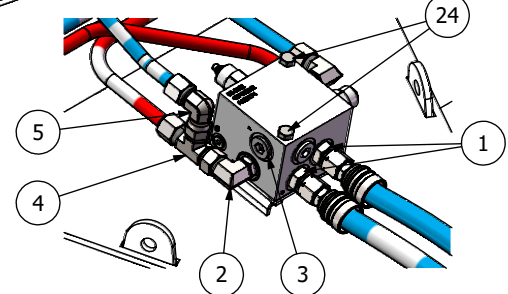
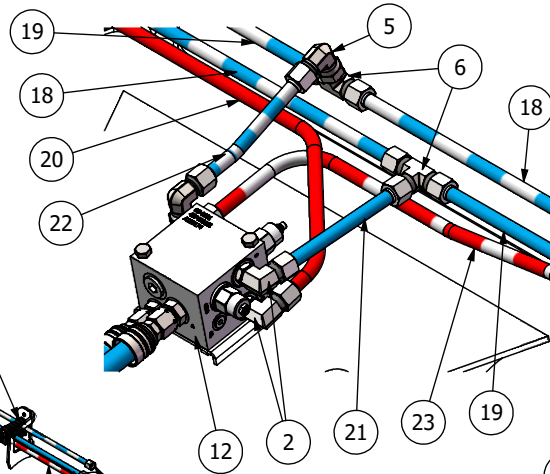
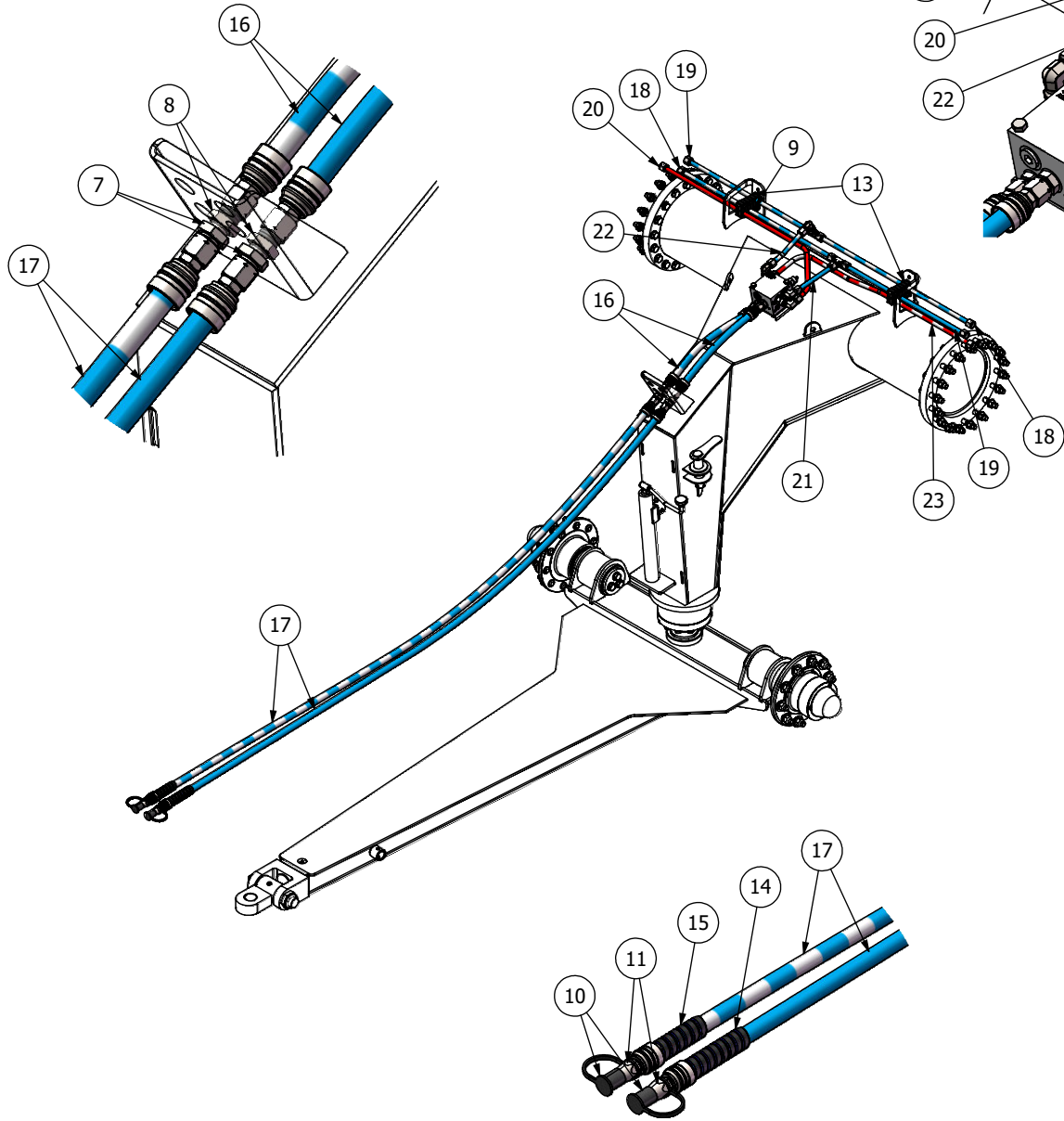


ITEM	QTY.	PART NUMBER	ALT. P.N.	DESCRIPTION
1	2	4071_12mj_12fjx90		ADAPTER 90° MJIC-12 X FJIC-12 SWIVEL12fjx90
2	2	4071_12mj_12mj_12mj		TEE MJIC-12 3 WAY
3	2	4071_12mj_12mj_BH	AHA-00096	BULKHEAD MJIC-12 X MJIC-12
4	2	4071_12mj_BH nut	AHA-00099	BULKHEAD NUT JIC 3/4"
5	1	4076_CS_0750		WIRE HARNESS PASS THROUGH
6	1	311001246_w_H-CG		TUBE MOUNT, FRONT SECTION, 1509
7	2	407000074	400219	DUST CAP MALE 1/2" BODY QUICK CONNECT - RED
8	2	407300086		MALE TIP - 12 FNPT X 1/2" BODY (ISO 5675)
9	1	407610039 KIT		SINGLE STACK CLAMP ASSEMBLY, .75" HOSE
10	2	407610402	600516	TRIPLE STACK CLAMP ASSEMBLY (19 MM)
11	1	410400001		Hose Marker - Yellow+
12	1	410400002		Hose Marker - Yellow-
13	1	424207143		12_039.50E_12fjx 12fjx
14	1	424207144		12_038.00E_12fjx 12fjx
15	2	424207145		12_137.25E_12mp 12fjx
16	2	426001244		LONG LIFT TUBE, 1509
17	2	426001245		SHORT LIFT TUBE, 1509

# SECTION 2.01

## HYDRAULICS

1509 DOLLY GOOSENECK, GATE & EJECTOR



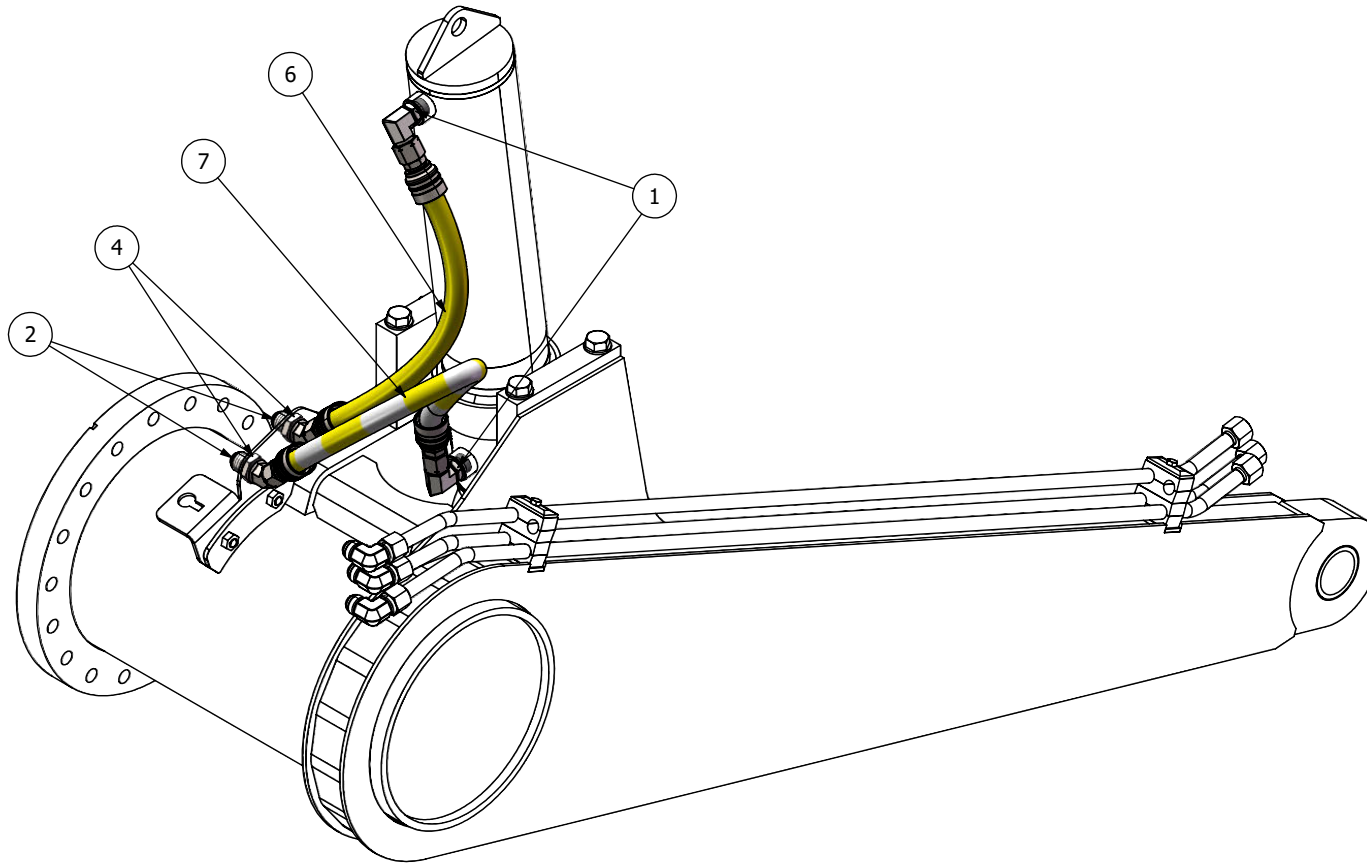
ITEM	QTY.	PART NUMBER	DESCRIPTION
1	1	407600336	PIPE CLAMPS TWIN SERIES DIN 3015, COVER PLATE 3D
2	2	407600339	STACKING BOLT FOR TWIN CLAMPS 3D 5/16-18 UNC
3	2	407600340	TWIN CLAMP SAFETY LOCKING PLATE 2-3D
4	6	407600351	HOSE CLAMP HALF TWIN 3D 19 MM
5	1	BLT8C_5-16x1_3-4	BOLT GR. 8 UNC. 5/16" X 1-3/4"

ITEM	QTY.	PART NUMBER	ALT. P.N.	DESCRIPTION
1	2	4071_12mb_12mj	AHA-00041	ADAPTER MORB-12 X MJIC-12
2	3	4071_12mb_12mj90	AHA-00044	3/4" MJIC X 3/4" ORB 90 DEG. ADAPTOR
3	1	4071_12mb_PLUG_SKT	AHA-00094	PLUG, SAE12 MORB HOLLOW HEX
4	1	4071_12mj_12fjx_12mj	AHA-00049	TEE MALE MJIC-12 X FJIC-12 SWIVEL X MJIC-12
5	2	4071_12mj_12fjx90		ADAPTER 90° MJIC-12 X FJIC-12 SWIVEL12fjx90
6	2	4071_12mj_12mj_12mj		TEE MJIC-12 3 WAY
7	2	4071_12mj_12mj_BH	AHA-00096	BULKHEAD MJIC-12 X MJIC-12
8	2	4071_12mj_BH nut	AHA-00099	BULKHEAD NUT JIC 3/4"
9	1	4076_CS_0750		WIRE HARNESS PASS THROUGH
10	2	407000073	400210	DUST CAP MALE 1/2" BODY QUICK CONNECT - BLACK
11	2	407300086		MALE TIP - 12 FNPT X 1/2" BODY (ISO 5675)
12	1	407400161	A125174	SUN # A601 208 A07 VALVE MANFOLD BLOCK
13	2	407610402	600516	TRIPLE STACK CLAMP ASSEMBLY (19 MM)
14	1	410400003		Hose Marker - Blue+
15	1	410400004		Hose Marker - Blue-
16	2	424207142		12_023.50E_12fjx 12fjx
17	2	424207146		12_137.50E_12mp 12fjx
18	2	426001243		RIGHT APRON EXTEND TUBE, 1509
19	2	426001248		APRON RETRACT TUBE, 1509
20	1	426001510		EJECTOR LINE, 1509
21	1	426001511		GATE OPEN, 1509
22	1	426001512		GATE CLOSE, 1509
23	1	426001513		EJECTOR RETRACT, 1509
24	2	BLT5C_1-2x4_1-2	AFB-00012	BOLT GR. 5 UNC 1/2" X 4-1/2"

## SECTION 2.02

### HYDRAULICS

1509 DIRECT MOUNT TRAILING ARM, LEFT, LIFT

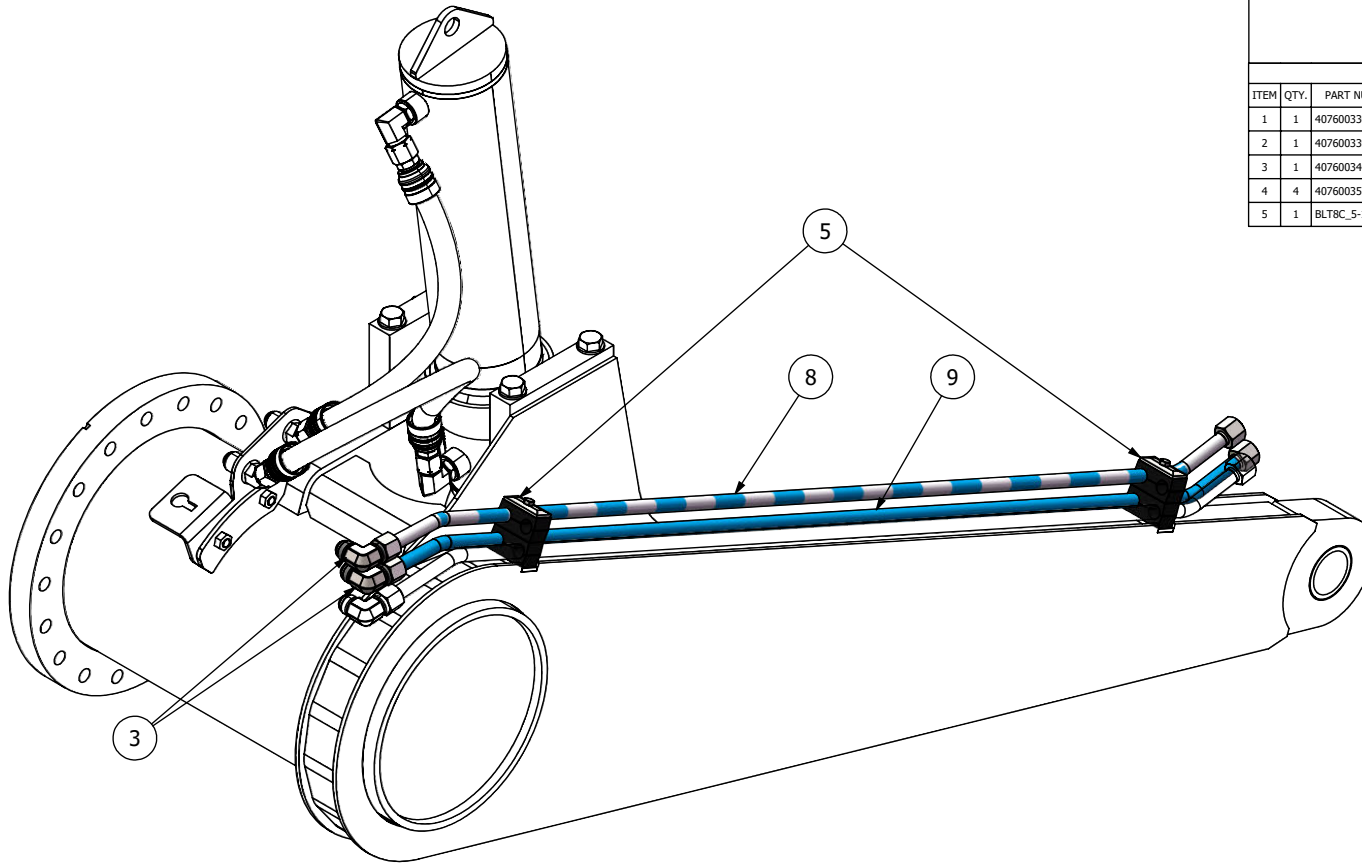


ITEM	QTY.	PART NUMBER	ALT. P.N.	DESCRIPTION
1	2	4071_12mb_12mj90	AHA-00044	3/4" MJIC X 3/4" ORB 90 DEG. ADAPTOR
2	2	4071_12mj_12mj45_BH	AHA-00063	BULKHEAD ELBOW 45 DEG MJIC-12 X MJIC-12
3	3	4071_12mj_12mj90	AHA-00019	ADAPTER 90° MJIC-12 X MJIC-12
4	2	4071_12mj_BH nut	AHA-00099	BULKHEAD NUT JIC 3/4"
5	2	407610401	AHL-00022	DOUBLE STACK HARD LINE CLAMP ASSEMBLY (19 MM)
6	1	424207127		HOSE - 12_024.50E_12fx 12fx
7	1	424207128		HOSE - 12_031.00E_12fx 12fx
8	1	426001507		TOP INNER TRAILING ARM LINE, 1509
9	1	426001508		BOTTOM INNER TRAILING ARM LINE, 1509
10	1	426001509		BOTTOM OUTER TRAILING ARM LINE, 1509

## SECTION 2.02

### HYDRAULICS

1509 DIRECT MOUNT TRAILING ARM, LEFT, APRON/GATE



407610401 KIT

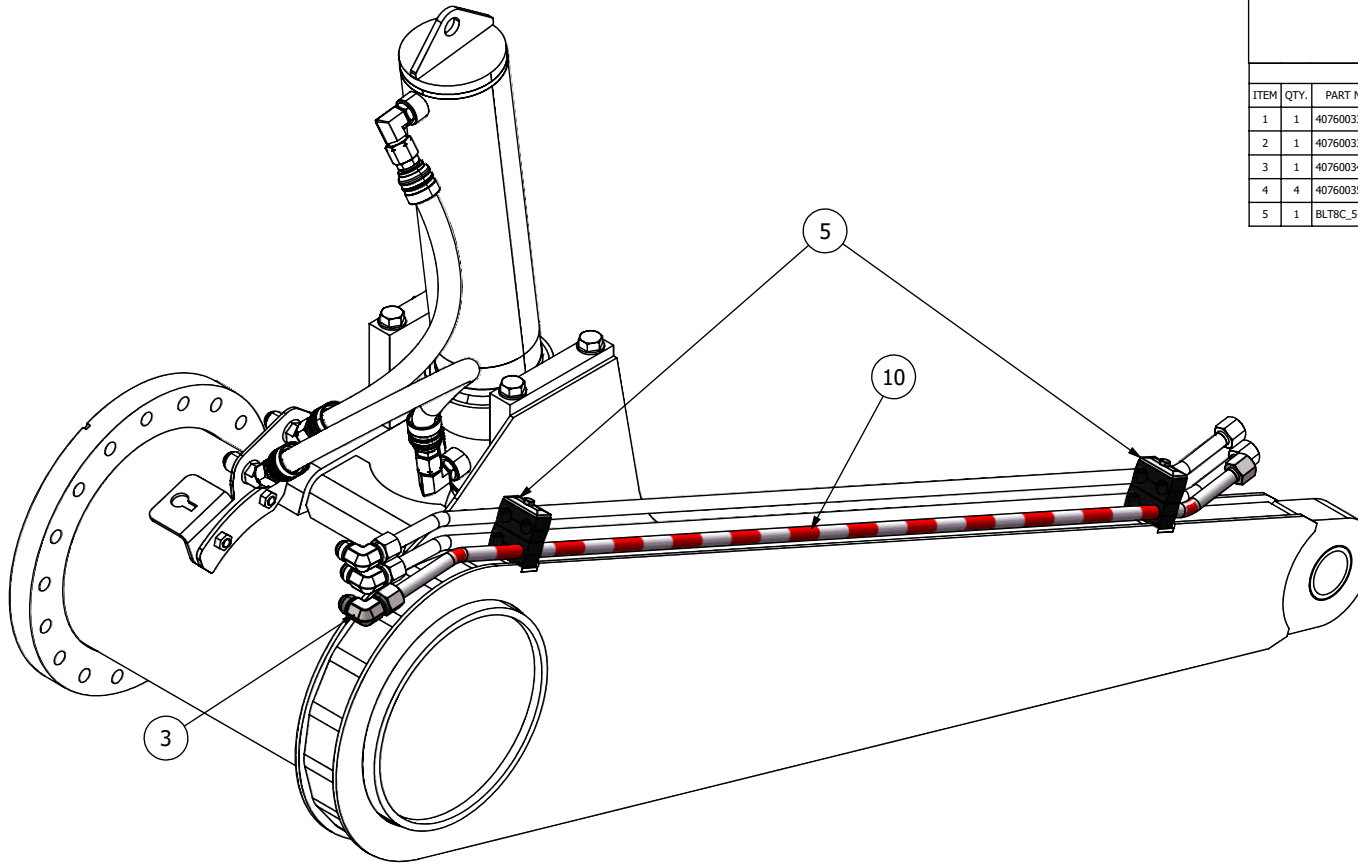
ITEM	QTY.	PART NUMBER	DESCRIPTION
1	1	407600336	PIPE CLAMPS TWIN SERIES DIN 3015, COVER PLATE 3D
2	1	407600339	STACKING BOLT FOR TWIN CLAMPS 3D 5/16-18 UNC
3	1	407600340	TWIN CLAMP SAFETY LOCKING PLATE 2-3D
4	4	407600351	HOSE CLAMP HALF TWIN 3D 19 MM
5	1	BLT8C_5-16x1_3-4	BOLT GR. 8 UNC 5/16" X 1-3/4"

ITEM	QTY.	PART NUMBER	ALT. P.N.	DESCRIPTION
1	2	4071_12mb_12mj90	AHA-00044	3/4" MJIC X 3/4" ORB 90 DEG. ADAPTOR
2	2	4071_12mj_12mj45_BH	AHA-00063	BULKHEAD ELBOW 45 DEG MJIC-12 X MJIC-12
3	3	4071_12mj_12mj90	AHA-00019	ADAPTER 90° MJIC-12 X MJIC-12
4	2	4071_12mj_BH nut	AHA-00099	BULKHEAD NUT JIC 3/4"
5	2	407610401	AHL-00022	DOUBLE STACK HARD LINE CLAMP ASSEMBLY (19 MM)
6	1	424207127		HOSE - 12_024.50E_12fjx 12fjx
7	1	424207128		HOSE - 12_031.00E_12fjx 12fjx
8	1	426001507		TOP INNER TRAILING ARM LINE, 1509
9	1	426001508		BOTTOM INNER TRAILING ARM LINE, 1509
10	1	426001509		BOTTOM OUTER TRAILING ARM LINE, 1509

## SECTION 2.02

### HYDRAULICS

1509 DIRECT MOUNT TRAILING ARM, LEFT, EJECTOR



407610401 KIT

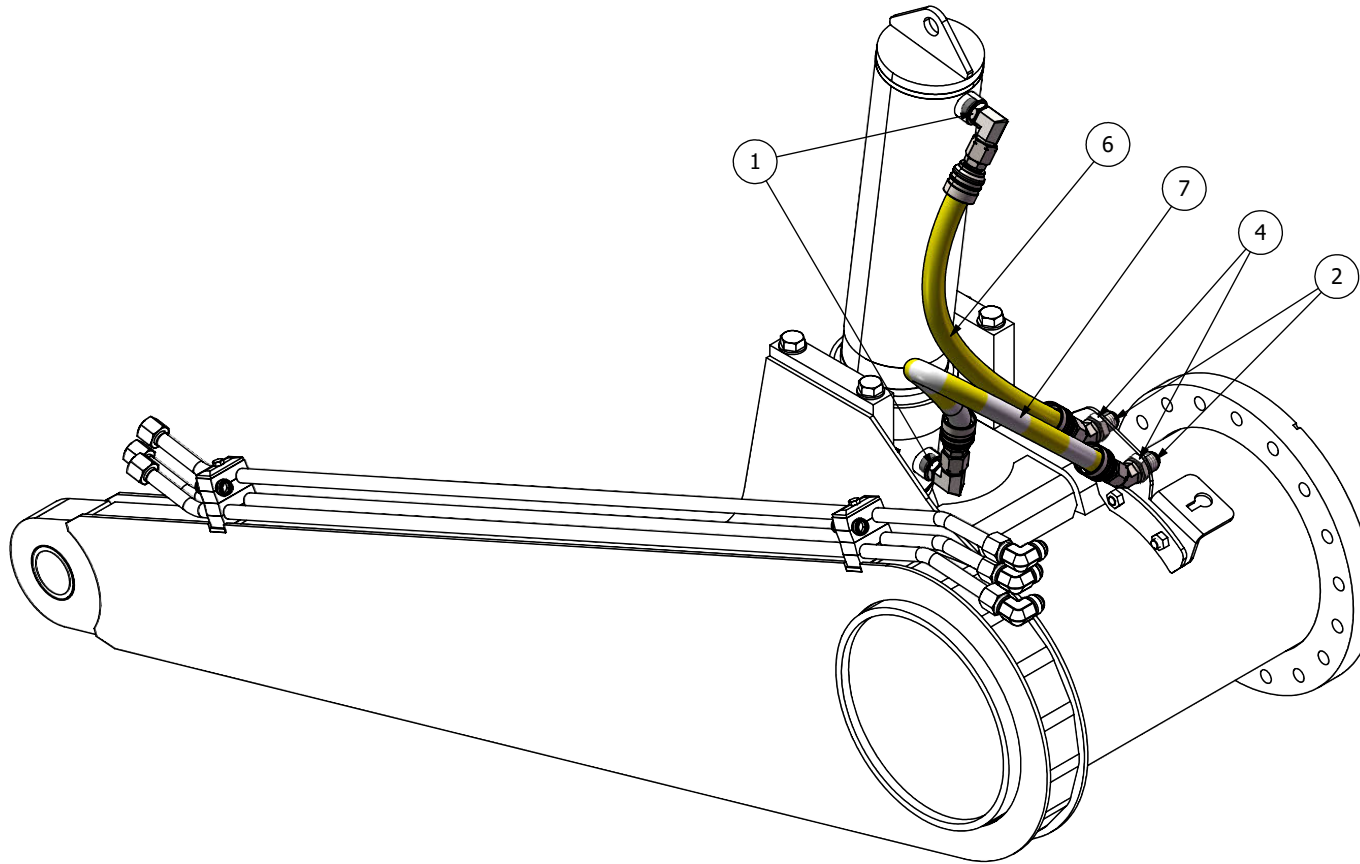
ITEM	QTY.	PART NUMBER	DESCRIPTION
1	1	407600336	PIPE CLAMPS TWIN SERIES DIN 3015, COVER PLATE 3D
2	1	407600339	STACKING BOLT FOR TWIN CLAMPS 3D 5/16-18 UNC
3	1	407600340	TWIN CLAMP SAFETY LOCKING PLATE 2-3D
4	4	407600351	HOSE CLAMP HALF TWIN 3D 19 MM
5	1	BLT8C_5-16x1_3-4	BOLT GR. 8 UNC. 5/16" X 1-3/4"

ITEM	QTY.	PART NUMBER	ALT. P.N.	DESCRIPTION
1	2	4071_12mb_12mj90	AHA-00044	3/4" MJIC X 3/4" ORB 90 DEG. ADAPTOR
2	2	4071_12mj_12mj45_BH	AHA-00063	BULKHEAD ELBOW 45 DEG MJIC-12 X MJIC-12
3	3	4071_12mj_12mj90	AHA-00019	ADAPTER 90° MJIC-12 X MJIC-12
4	2	4071_12mj_BH nut	AHA-00099	BULKHEAD NUT JIC 3/4"
5	2	407610401	AHL-00022	DOUBLE STACK HARD LINE CLAMP ASSEMBLY (19 MM)
6	1	424207127		HOSE - 12_024.50E_12fx 12fx
7	1	424207128		HOSE - 12_031.00E_12fx 12fx
8	1	426001507		TOP INNER TRAILING ARM LINE, 1509
9	1	426001508		BOTTOM INNER TRAILING ARM LINE, 1509
10	1	426001509		BOTTOM OUTER TRAILING ARM LINE, 1509

## SECTION 2.02

### HYDRAULICS

1509 DIRECT MOUNT TRAILING ARM, RIGHT, LIFT

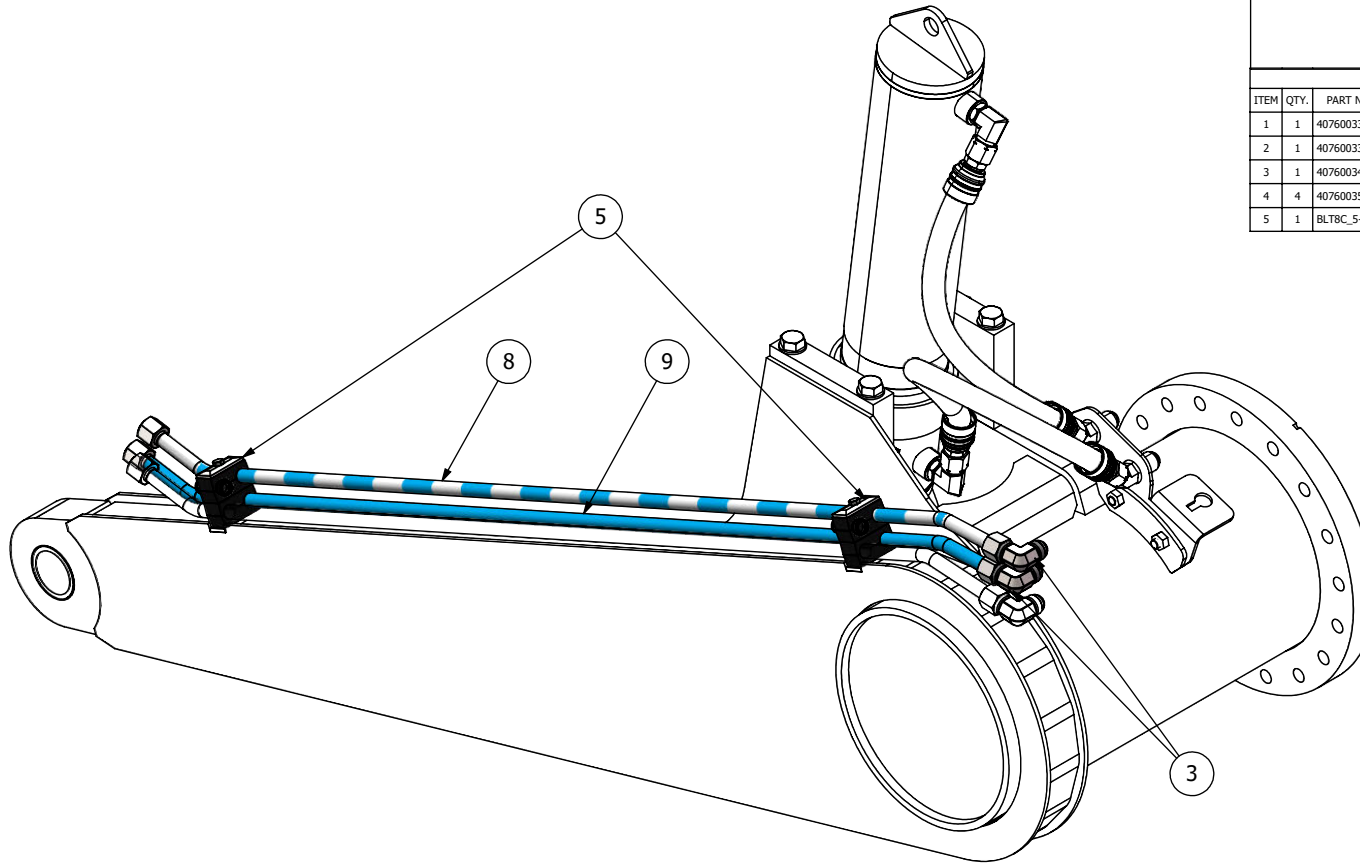


ITEM	QTY.	PART NUMBER	ALT. P.N.	DESCRIPTION
1	2	4071_12mb_12mj90	AHA-00044	3/4" MJIC X 3/4" ORB 90 DEG. ADAPTOR
2	2	4071_12mj_12mj45_BH	AHA-00063	BULKHEAD ELBOW 45 DEG MJIC-12 X MJIC-12
3	3	4071_12mj_12mj90	AHA-00019	ADAPTER 90° MJIC-12 X MJIC-12
4	2	4071_12mj_BH nut	AHA-00099	BULKHEAD NUT JIC 3/4"
5	2	407610401	AHL-00022	DOUBLE STACK HARD LINE CLAMP ASSEMBLY (19 MM)
6	1	424207127		HOSE - 12_024.50E_12fx 12fx
7	1	424207128		HOSE - 12_031.00E_12fx 12fx
8	1	426001507		TOP INNER TRAILING ARM LINE, 1509
9	1	426001508		BOTTOM INNER TRAILING ARM LINE, 1509
10	1	426001509		BOTTOM OUTER TRAILING ARM LINE, 1509
11	2	4076_CS_0750		WIRE HARNESS PASS THROUGH

## SECTION 2.02

### HYDRAULICS

1509 DIRECT MOUNT TRAILING ARM, RIGHT, APRON/GATE



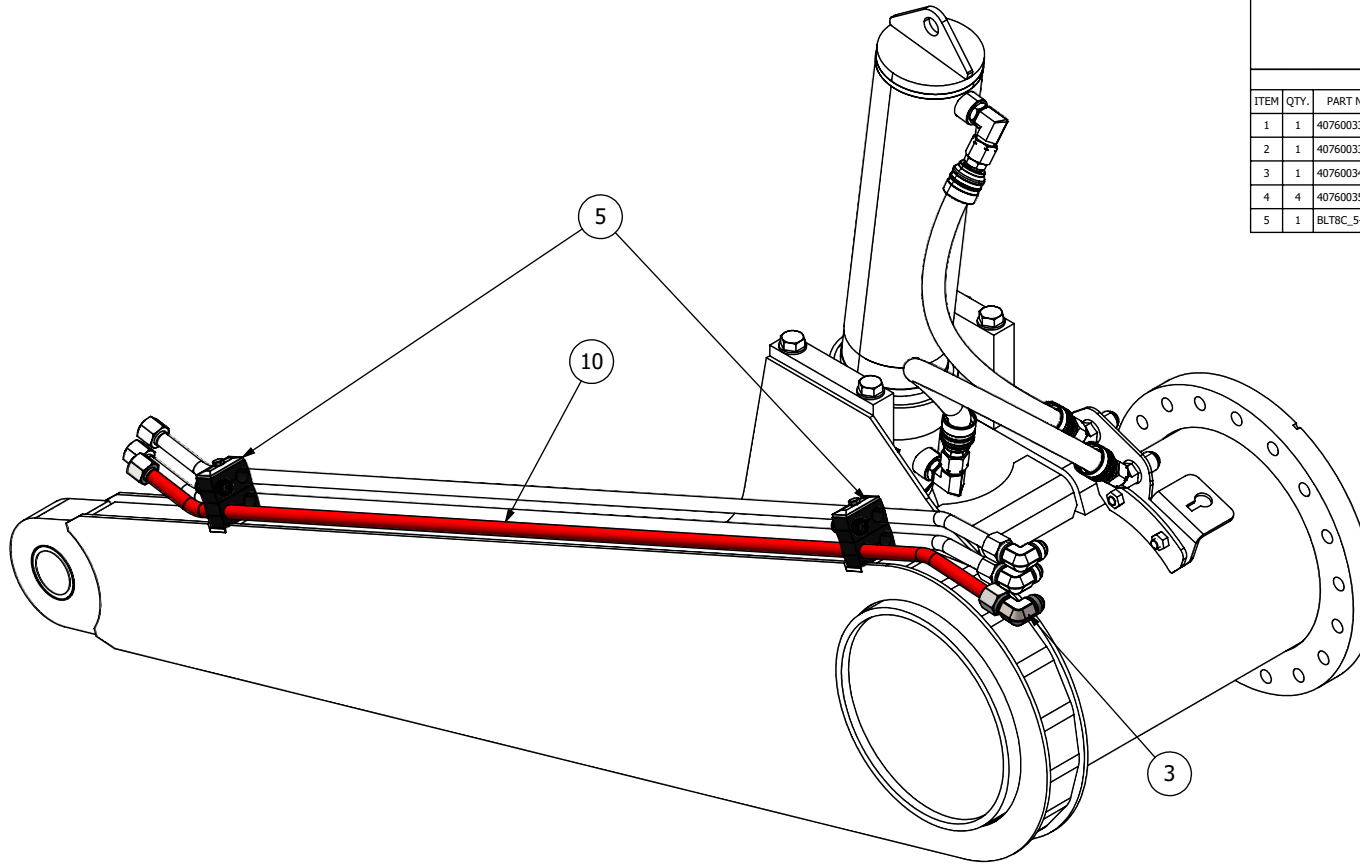
407610401 KIT				
ITEM	QTY.	PART NUMBER	DESCRIPTION	
1	1	407600336	PIPE CLAMPS TWIN SERIES DIN 3015, COVER PLATE 3D	
2	1	407600339	STACKING BOLT FOR TWIN CLAMPS 3D 5/16-18 UNC	
3	1	407600340	TWIN CLAMP SAFETY LOCKING PLATE 2-3D	
4	4	407600351	HOSE CLAMP HALF TWIN 3D 19 MM	
5	1	BLT8C_5-16x1_3-4	BOLT GR. 8 UNC 5/16" X 1-3/4"	

ITEM	QTY.	PART NUMBER	ALT. P.N.	DESCRIPTION
1	2	4071_12mb_12mj90	AHA-00044	3/4" MJIC X 3/4" ORB 90 DEG. ADAPTOR
2	2	4071_12mj_12mj45_BH	AHA-00063	BULKHEAD ELBOW 45 DEG MJIC-12 X MJIC-12
3	3	4071_12mj_12mj90	AHA-00019	ADAPTER 90° MJIC-12 X MJIC-12
4	2	4071_12mj_BH nut	AHA-00099	BULKHEAD NUT JIC 3/4"
5	2	407610401	AHL-00022	DOUBLE STACK HARD LINE CLAMP ASSEMBLY (19 MM)
6	1	424207127		HOSE - 12_024.50E_12fx 12fx
7	1	424207128		HOSE - 12_031.00E_12fx 12fx
8	1	426001507		TOP INNER TRAILING ARM LINE, 1509
9	1	426001508		BOTTOM INNER TRAILING ARM LINE, 1509
10	1	426001509		BOTTOM OUTER TRAILING ARM LINE, 1509
11	2	4076_CS_0750		WIRE HARNESS PASS THROUGH

## SECTION 2.02

### HYDRAULICS

1509 DIRECT MOUNT TRAILING ARM, RIGHT, EJECTOR



407610401 KIT

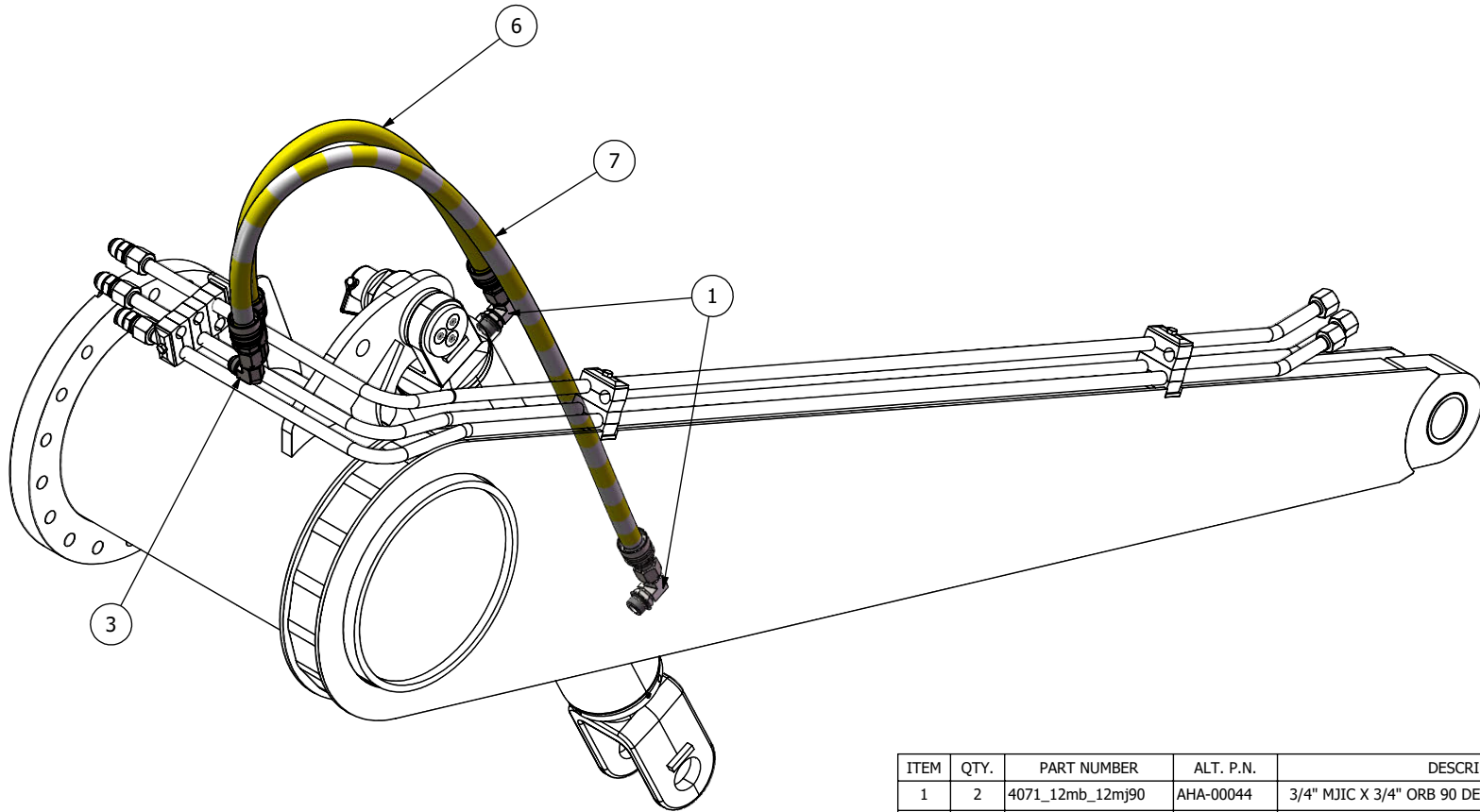
ITEM	QTY.	PART NUMBER	DESCRIPTION
1	1	407600336	PIPE CLAMPS TWIN SERIES DIN 3015, COVER PLATE 3D
2	1	407600339	STACKING BOLT FOR TWIN CLAMPS 3D 5/16-18 UNC
3	1	407600340	TWIN CLAMP SAFETY LOCKING PLATE 2-3D
4	4	407600351	HOSE CLAMP HALF TWIN 3D 19 MM
5	1	BLT8C_5-16x1_3-4	BOLT GR. 8 UNC 5/16" X 1-3/4"

ITEM	QTY.	PART NUMBER	ALT. P.N.	DESCRIPTION
1	2	4071_12mb_12mj90	AHA-00044	3/4" MJIC X 3/4" ORB 90 DEG. ADAPTOR
2	2	4071_12mj_12mj45_BH	AHA-00063	BULKHEAD ELBOW 45 DEG MJIC-12 X MJIC-12
3	3	4071_12mj_12mj90	AHA-00019	ADAPTER 90° MJIC-12 X MJIC-12
4	2	4071_12mj_BH nut	AHA-00099	BULKHEAD NUT JIC 3/4"
5	2	407610401	AHL-00022	DOUBLE STACK HARD LINE CLAMP ASSEMBLY (19 MM)
6	1	424207127		HOSE - 12_024.50E_12fx 12fx
7	1	424207128		HOSE - 12_031.00E_12fx 12fx
8	1	426001507		TOP INNER TRAILING ARM LINE, 1509
9	1	426001508		BOTTOM INNER TRAILING ARM LINE, 1509
10	1	426001509		BOTTOM OUTER TRAILING ARM LINE, 1509
11	2	4076_CS_0750		WIRE HARNESS PASS THROUGH

## SECTION 2.02

### HYDRAULICS

1509 DOLLY TRAILING ARM, LEFT, LIFT



ITEM	QTY.	PART NUMBER	ALT. P.N.	DESCRIPTION
1	2	4071_12mb_12mj90	AHA-00044	3/4" MJIC X 3/4" ORB 90 DEG. ADAPTOR
2	3	4071_12mj_12mj	AHA-00032	ADAPTER MJIC-12 X MJIC-12
3	2	4071_12mj_12mj90	AHA-00019	ADAPTER 90° MJIC-12 X MJIC-12
4	2	407610401	AHL-00022	DOUBLE STACK HARD LINE CLAMP ASSEMBLY (19 MM)
5	1	407610402	600516	TRIPLE STACK CLAMP ASSEMBLY (19 MM)
6	1	424207140		424207140
7	1	424207141		424207141
8	1	426001234		LEFT EJECTOR TUBE, 1509
9	1	426001236		LEFT APRON EXTEND TUBE, 1509
10	1	426001238		LEFT APRON RETRACT TUBE, 1509

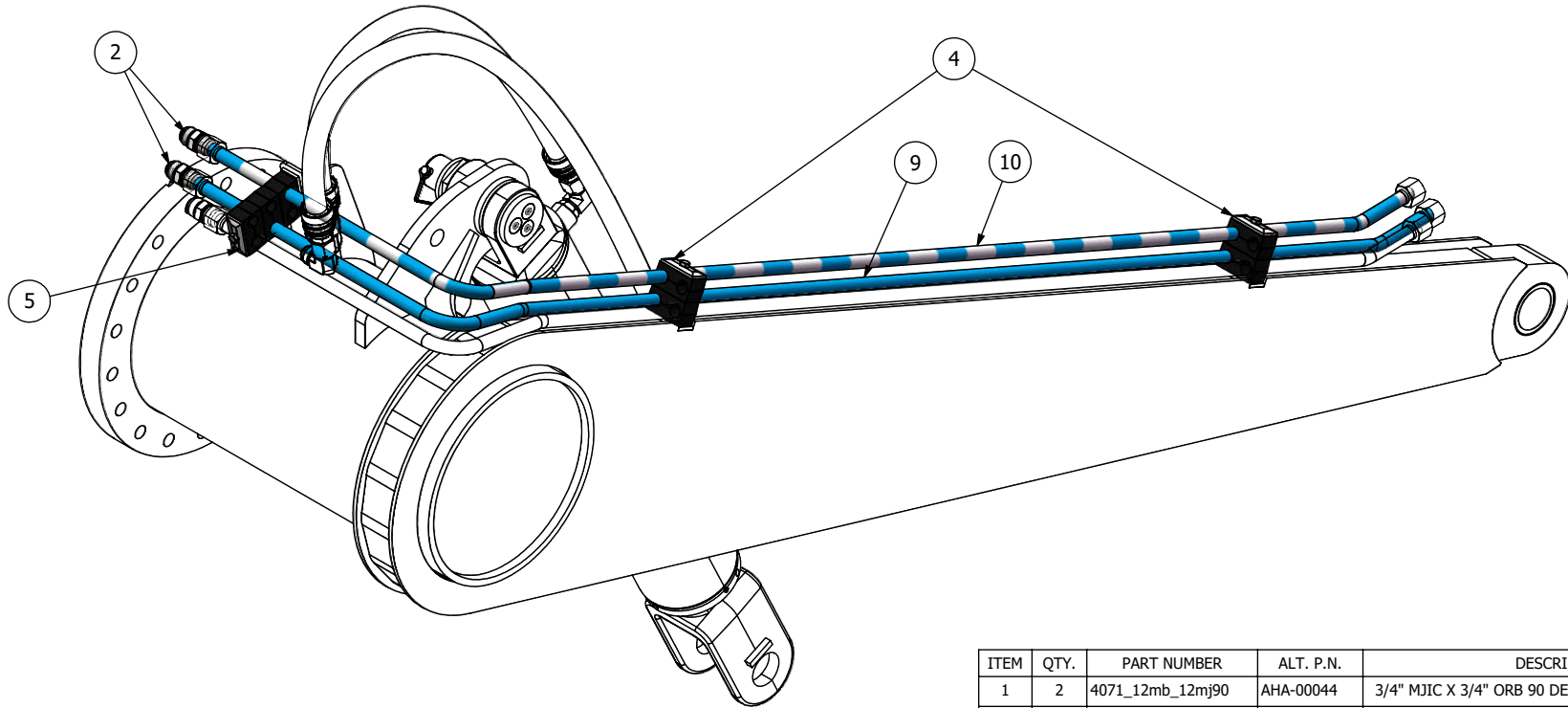
## SECTION 2.02

### HYDRAULICS

1509 DOLLY TRAILING ARM, LEFT, GATE/APRON



407610401 KIT				407610402 KIT			
ITEM	QTY.	PART NUMBER	DESCRIPTION	ITEM	QTY.	PART NUMBER	DESCRIPTION
1	1	407600336	PIPE CLAMPS TWIN SERIES DIN 3015, COVER PLATE 3D	1	1	407600336	PIPE CLAMPS TWIN SERIES DIN 3015, COVER PLATE 3D
2	1	407600339	STACKING BOLT FOR TWIN CLAMPS 3D 5/16-18 UNC	2	2	407600339	STACKING BOLT FOR TWIN CLAMPS 3D 5/16-18 UNC
3	1	407600340	TWIN CLAMP SAFETY LOCKING PLATE 2-3D	3	2	407600340	TWIN CLAMP SAFETY LOCKING PLATE 2-3D
4	4	407600351	HOSE CLAMP HALF TWIN 3D 19 MM	4	6	407600351	HOSE CLAMP HALF TWIN 3D 19 MM
5	1	BLT8C_5-16x1_3-4	BOLT GR. 8 UNC 5/16" X 1-3/4"	5	1	BLT8C_5-16x1_3-4	BOLT GR. 8 UNC 5/16" X 1-3/4"



ITEM	QTY.	PART NUMBER	ALT. P.N.	DESCRIPTION
1	2	4071_12mb_12mj90	AHA-00044	3/4" MJIC X 3/4" ORB 90 DEG. ADAPTOR
2	3	4071_12mj_12mj	AHA-00032	ADAPTER MJIC-12 X MJIC-12
3	2	4071_12mj_12mj90	AHA-00019	ADAPTER 90° MJIC-12 X MJIC-12
4	2	407610401	AHL-00022	DOUBLE STACK HARD LINE CLAMP ASSEMBLY (19 MM)
5	1	407610402	600516	TRIPLE STACK CLAMP ASSEMBLY (19 MM)
6	1	424207140		424207140
7	1	424207141		424207141
8	1	426001234		LEFT EJECTOR TUBE, 1509
9	1	426001236		LEFT APRON EXTEND TUBE, 1509
10	1	426001238		LEFT APRON RETRACT TUBE, 1509

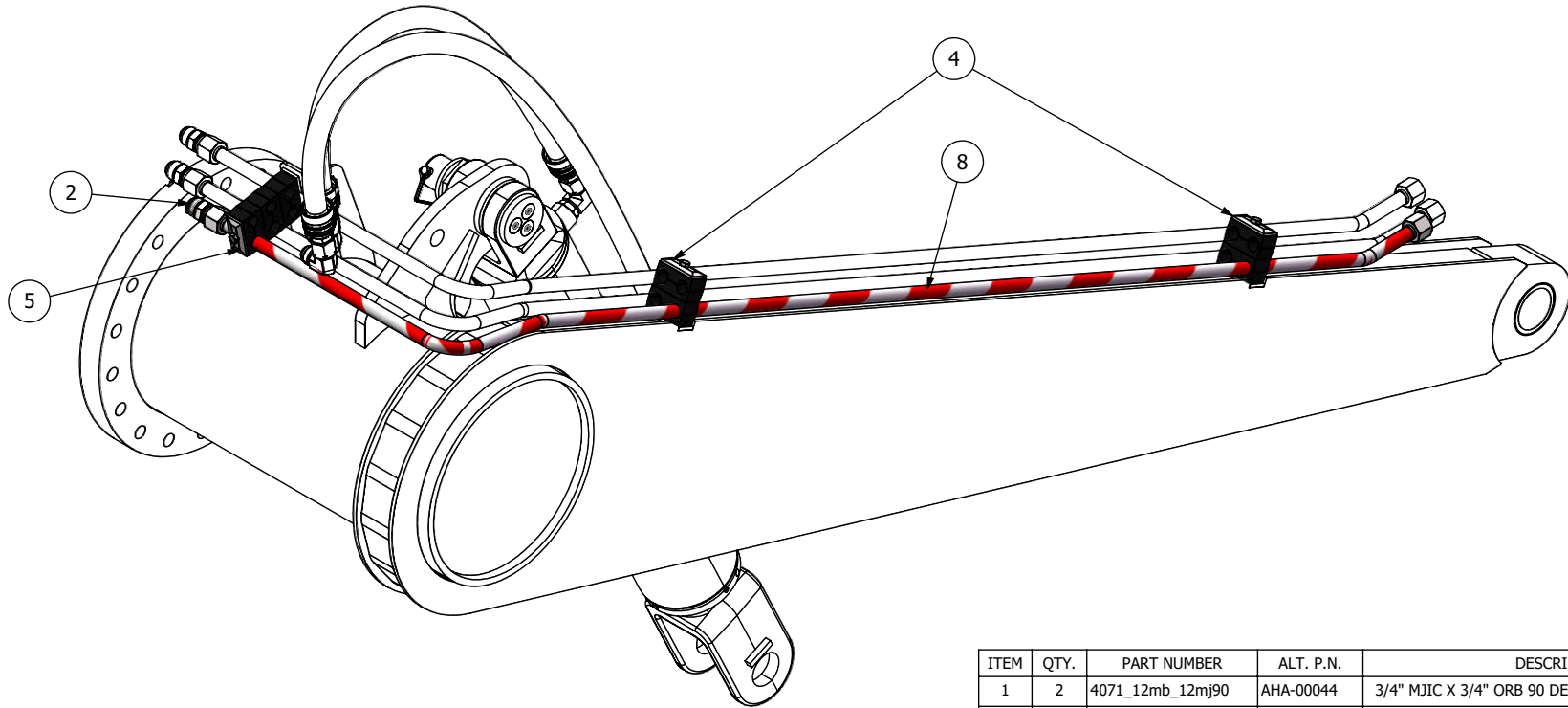
## SECTION 2.02

### HYDRAULICS

1509 DOLLY TRAILING ARM, LEFT, EJECTOR



407610401 KIT				407610402 KIT			
ITEM	QTY.	PART NUMBER	DESCRIPTION	ITEM	QTY.	PART NUMBER	DESCRIPTION
1	1	407600336	PIPE CLAMPS TWIN SERIES DIN 3015, COVER PLATE 3D	1	1	407600336	PIPE CLAMPS TWIN SERIES DIN 3015, COVER PLATE 3D
2	1	407600339	STACKING BOLT FOR TWIN CLAMPS 3D 5/16-18 UNC	2	2	407600339	STACKING BOLT FOR TWIN CLAMPS 3D 5/16-18 UNC
3	1	407600340	TWIN CLAMP SAFETY LOCKING PLATE 2-3D	3	2	407600340	TWIN CLAMP SAFETY LOCKING PLATE 2-3D
4	4	407600351	HOSE CLAMP HALF TWIN 3D 19 MM	4	6	407600351	HOSE CLAMP HALF TWIN 3D 19 MM
5	1	BLT8C_5-16x1_3-4	BOLT GR. 8 UNC 5/16" X 1-3/4"	5	1	BLT8C_5-16x1_3-4	BOLT GR. 8 UNC 5/16" X 1-3/4"

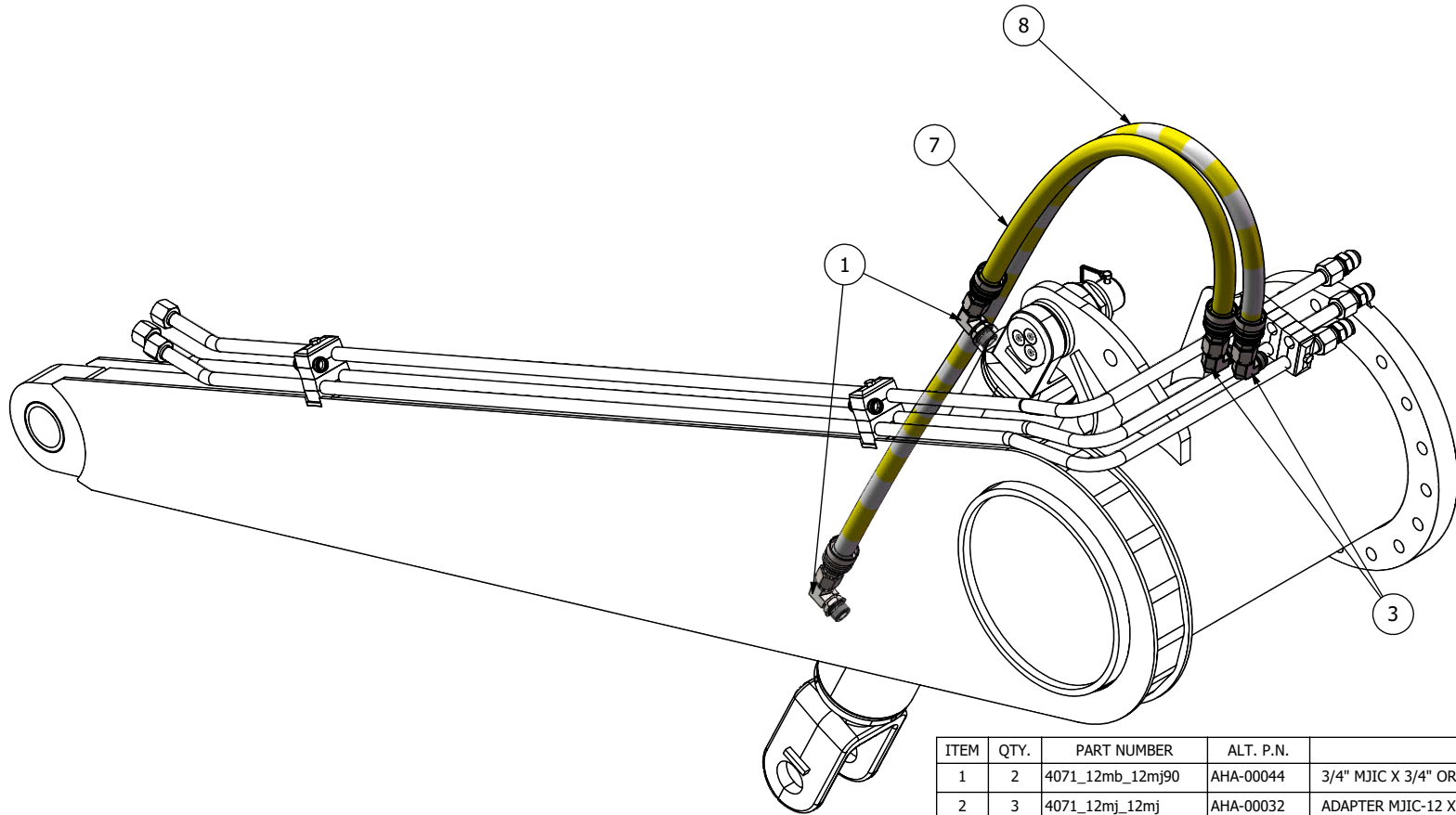


ITEM	QTY.	PART NUMBER	ALT. P.N.	DESCRIPTION
1	2	4071_12mb_12mj90	AHA-00044	3/4" MJIC X 3/4" ORB 90 DEG. ADAPTOR
2	3	4071_12mj_12mj	AHA-00032	ADAPTER MJIC-12 X MJIC-12
3	2	4071_12mj_12mj90	AHA-00019	ADAPTER 90° MJIC-12 X MJIC-12
4	2	407610401	AHL-00022	DOUBLE STACK HARD LINE CLAMP ASSEMBLY (19 MM)
5	1	407610402	600516	TRIPLE STACK CLAMP ASSEMBLY (19 MM)
6	1	424207140		424207140
7	1	424207141		424207141
8	1	426001234		LEFT EJECTOR TUBE, 1509
9	1	426001236		LEFT APRON EXTEND TUBE, 1509
10	1	426001238		LEFT APRON RETRACT TUBE, 1509

## SECTION 2.02

### HYDRAULICS

1509 DOLLY TRAILING ARM, RIGHT, LIFT



ITEM	QTY.	PART NUMBER	ALT. P.N.	DESCRIPTION
1	2	4071_12mb_12mj90	AHA-00044	3/4" MJIC X 3/4" ORB 90 DEG. ADAPTOR
2	3	4071_12mj_12mj	AHA-00032	ADAPTER MJIC-12 X MJIC-12
3	2	4071_12mj_12mj90	AHA-00019	ADAPTER 90° MJIC-12 X MJIC-12
4	3	4076_CS_0750		WIRE HARNESS PASS THROUGH
5	2	407610401	AHL-00022	DOUBLE STACK HARD LINE CLAMP ASSEMBLY (19 MM)
6	1	407610402	600516	TRIPLE STACK CLAMP ASSEMBLY (19 MM)
7	1	424207140		424207140
8	1	424207141		424207141
9	1	426001235		RIGHT EJECTOR TUBE, 1509
10	1	426001237		RIGHT APRON EXTEND TUBE, 1509
11	1	426001239		RIGHT APRON RETRACT TUBE, 1509

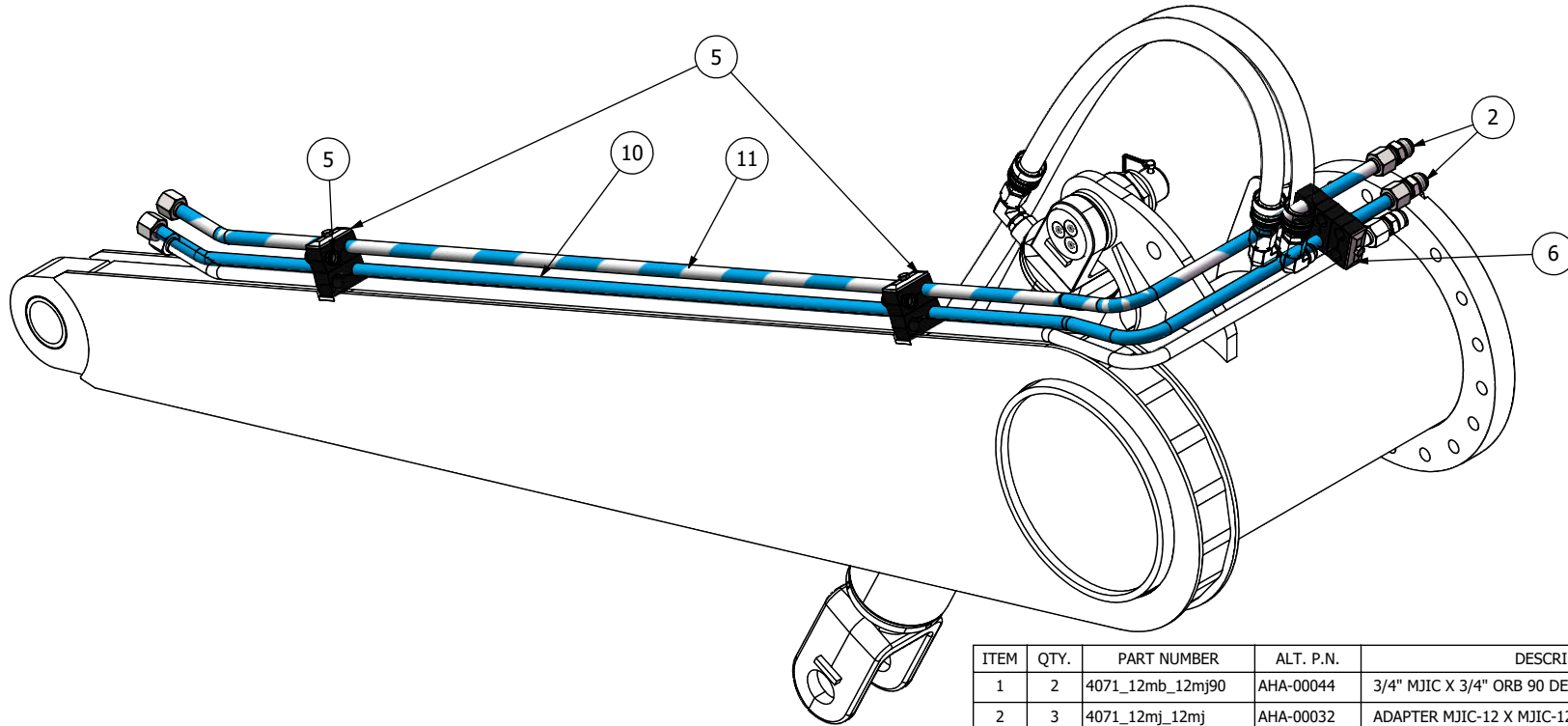
## SECTION 2.02

### HYDRAULICS

1509 DOLLY TRAILING ARM, RIGHT, GATE/APRON



407610401 KIT				407610402 KIT			
ITEM	QTY.	PART NUMBER	DESCRIPTION	ITEM	QTY.	PART NUMBER	DESCRIPTION
1	1	407600336	PIPE CLAMPS TWIN SERIES DIN 3015, COVER PLATE 3D	1	1	407600336	PIPE CLAMPS TWIN SERIES DIN 3015, COVER PLATE 3D
2	1	407600339	STACKING BOLT FOR TWIN CLAMPS 3D 5/16-18 UNC	2	2	407600339	STACKING BOLT FOR TWIN CLAMPS 3D 5/16-18 UNC
3	1	407600340	TWIN CLAMP SAFETY LOCKING PLATE 2-3D	3	2	407600340	TWIN CLAMP SAFETY LOCKING PLATE 2-3D
4	4	407600351	HOSE CLAMP HALF TWIN 3D 19 MM	4	6	407600351	HOSE CLAMP HALF TWIN 3D 19 MM
5	1	BLT8C_5-16x1_3-4	BOLT GR. 8 UNC 5/16" X 1-3/4"	5	1	BLT8C_5-16x1_3-4	BOLT GR. 8 UNC 5/16" X 1-3/4"



ITEM	QTY.	PART NUMBER	ALT. P.N.	DESCRIPTION
1	2	4071_12mb_12mj90	AHA-00044	3/4" MJIC X 3/4" ORB 90 DEG. ADAPTOR
2	3	4071_12mj_12mj	AHA-00032	ADAPTER MJIC-12 X MJIC-12
3	2	4071_12mj_12mj90	AHA-00019	ADAPTER 90° MJIC-12 X MJIC-12
4	3	4076_CS_0750		WIRE HARNESS PASS THROUGH
5	2	407610401	AHL-00022	DOUBLE STACK HARD LINE CLAMP ASSEMBLY (19 MM)
6	1	407610402	600516	TRIPLE STACK CLAMP ASSEMBLY (19 MM)
7	1	424207140		424207140
8	1	424207141		424207141
9	1	426001235		RIGHT EJECTOR TUBE, 1509
10	1	426001237		RIGHT APRON EXTEND TUBE, 1509
11	1	426001239		RIGHT APRON RETRACT TUBE, 1509

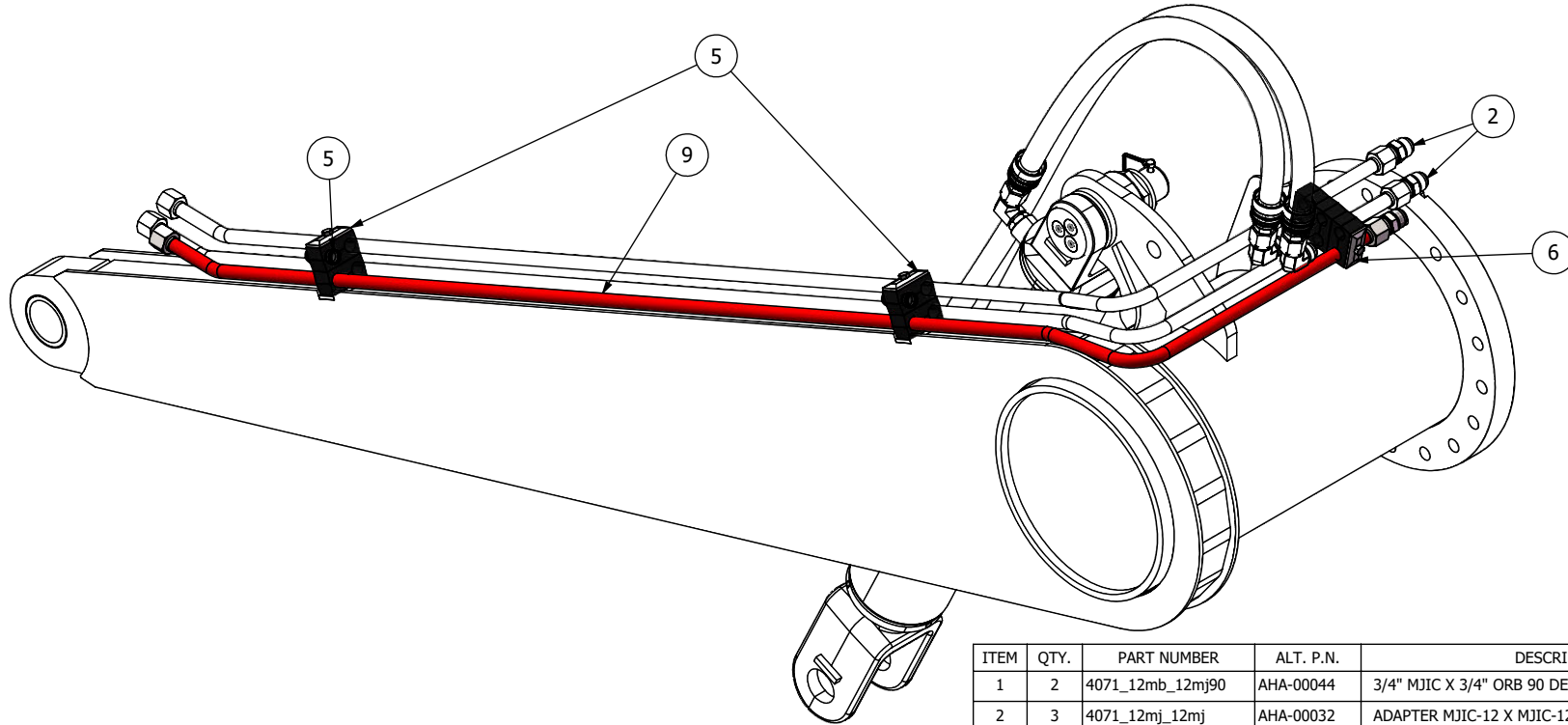
## SECTION 2.02

### HYDRAULICS

1509 DOLLY TRAILING ARM, RIGHT, EJECTOR



407610401 KIT				407610402 KIT			
ITEM	QTY.	PART NUMBER	DESCRIPTION	ITEM	QTY.	PART NUMBER	DESCRIPTION
1	1	407600336	PIPE CLAMPS TWIN SERIES DIN 3015, COVER PLATE 3D	1	1	407600336	PIPE CLAMPS TWIN SERIES DIN 3015, COVER PLATE 3D
2	1	407600339	STACKING BOLT FOR TWIN CLAMPS 3D 5/16-18 UNC	2	2	407600339	STACKING BOLT FOR TWIN CLAMPS 3D 5/16-18 UNC
3	1	407600340	TWIN CLAMP SAFETY LOCKING PLATE 2-3D	3	2	407600340	TWIN CLAMP SAFETY LOCKING PLATE 2-3D
4	4	407600351	HOSE CLAMP HALF TWIN 3D 19 MM	4	6	407600351	HOSE CLAMP HALF TWIN 3D 19 MM
5	1	BLT8C_5-16x1_3-4	BOLT GR. 8 UNC 5/16" X 1-3/4"	5	1	BLT8C_5-16x1_3-4	BOLT GR. 8 UNC 5/16" X 1-3/4"

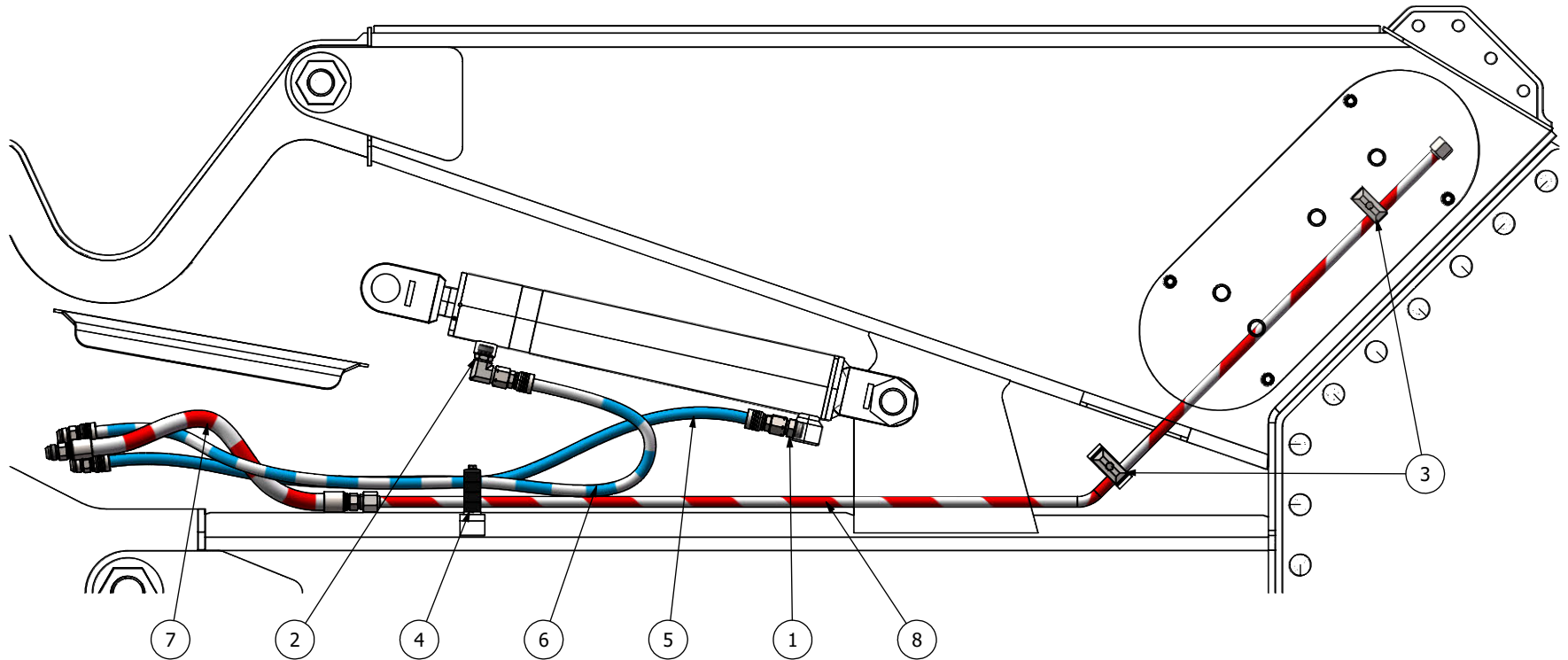




ITEM	QTY.	PART NUMBER	ALT. P.N.	DESCRIPTION
1	2	4071_12mb_12mj90	AHA-00044	3/4" MJIC X 3/4" ORB 90 DEG. ADAPTOR
2	3	4071_12mj_12mj	AHA-00032	ADAPTER MJIC-12 X MJIC-12
3	2	4071_12mj_12mj90	AHA-00019	ADAPTER 90° MJIC-12 X MJIC-12
4	3	4076_CS_0750		WIRE HARNESS PASS THROUGH
5	2	407610401	AHL-00022	DOUBLE STACK HARD LINE CLAMP ASSEMBLY (19 MM)
6	1	407610402	600516	TRIPLE STACK CLAMP ASSEMBLY (19 MM)
7	1	424207140		424207140
8	1	424207141		424207141
9	1	426001235		RIGHT EJECTOR TUBE, 1509
10	1	426001237		RIGHT APRON EXTEND TUBE, 1509
11	1	426001239		RIGHT APRON RETRACT TUBE, 1509

# SECTION 2.03

## HYDRAULICS

1509 SIDEWALL, LEFT



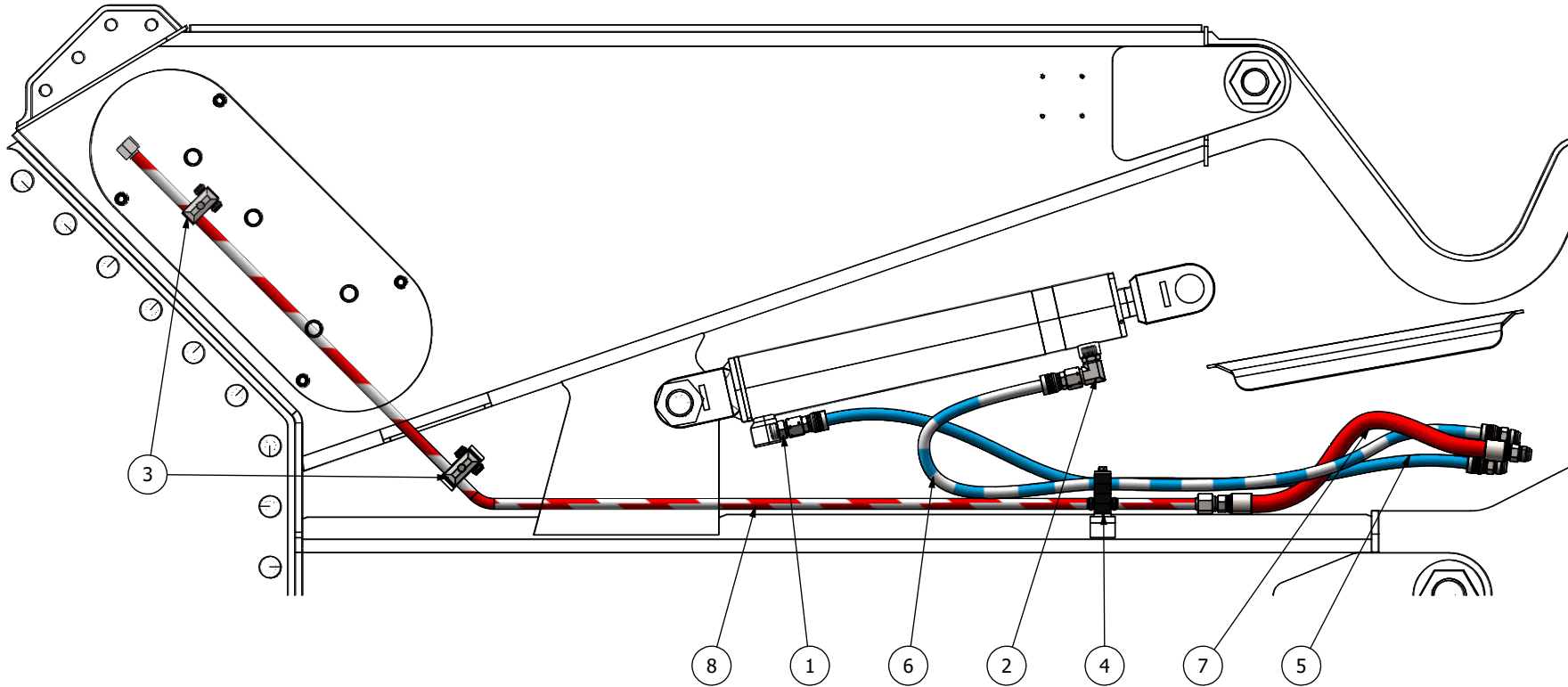
							
407610400 KIT				407610401 KIT			
ITEM	QTY.	PART NUMBER	DESCRIPTION	ITEM	QTY.	PART NUMBER	DESCRIPTION
1	1	407600336	PIPE CLAMPS TWIN SERIES DIN 3015, COVER PLATE 3D	1	1	407600336	PIPE CLAMPS TWIN SERIES DIN 3015, COVER PLATE 3D
2	2	407600351	HOSE CLAMP HALF TWIN 3D 19 MM	2	1	407600339	STACKING BOLT FOR TWIN CLAMPS 3D 5/16-18 UNC
3	1	BLTRC_5-16x1_3-4	BOLT GR. 8 UNC 5/16" X 1-3/4"	3	1	407600340	TWIN CLAMP SAFETY LOCKING PLATE 2-3D
				4	4	407600351	HOSE CLAMP HALF TWIN 3D 19 MM
				5	1	BLTRC_5-16x1_3-4	BOLT GR. 8 UNC 5/16" X 1-3/4"

ITEM	QTY.	PART NUMBER	ALT. P.N.	DESCRIPTION
1	1	4071_12mb_12mj	AHA-00041	ADAPTER MORB-12 X MJIC-12
2	1	4071_12mb_12mj90	AHA-00044	3/4" MJIC X 3/4" ORB 90 DEG. ADAPTOR
3	2	407610400	AHL-00002	SINGLE STACK HARD LINE CLAMP ASSEMBLY (19MM)
4	1	407610401	AHL-00022	DOUBLE STACK HARD LINE CLAMP ASSEMBLY (19 MM)
5	1	424207129		HOSE - 08_052.00E_12mj 12fjx
6	1	424207130		HOSE - 08_054.00E_12mj 12fjx
7	1	424207131		HOSE - 12_026.00E_12mj 12mj
8	1	426001258		EJECTOR LINE, 1509

# SECTION 2.03

## HYDRAULICS

1509 SIDEWALL, RIGHT



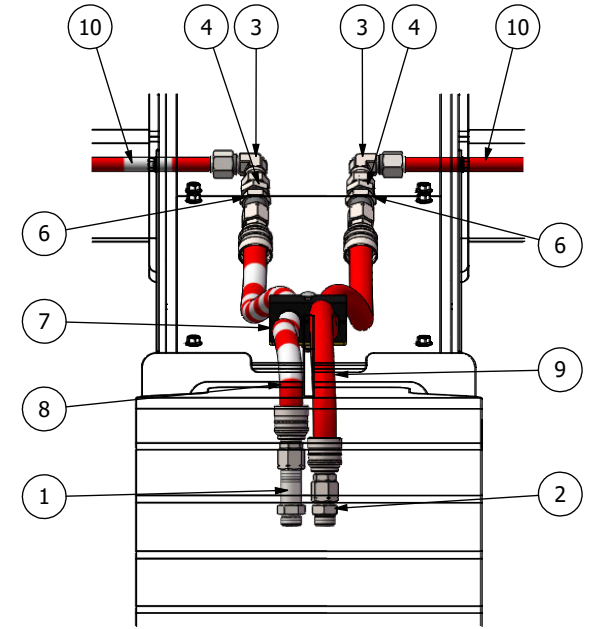
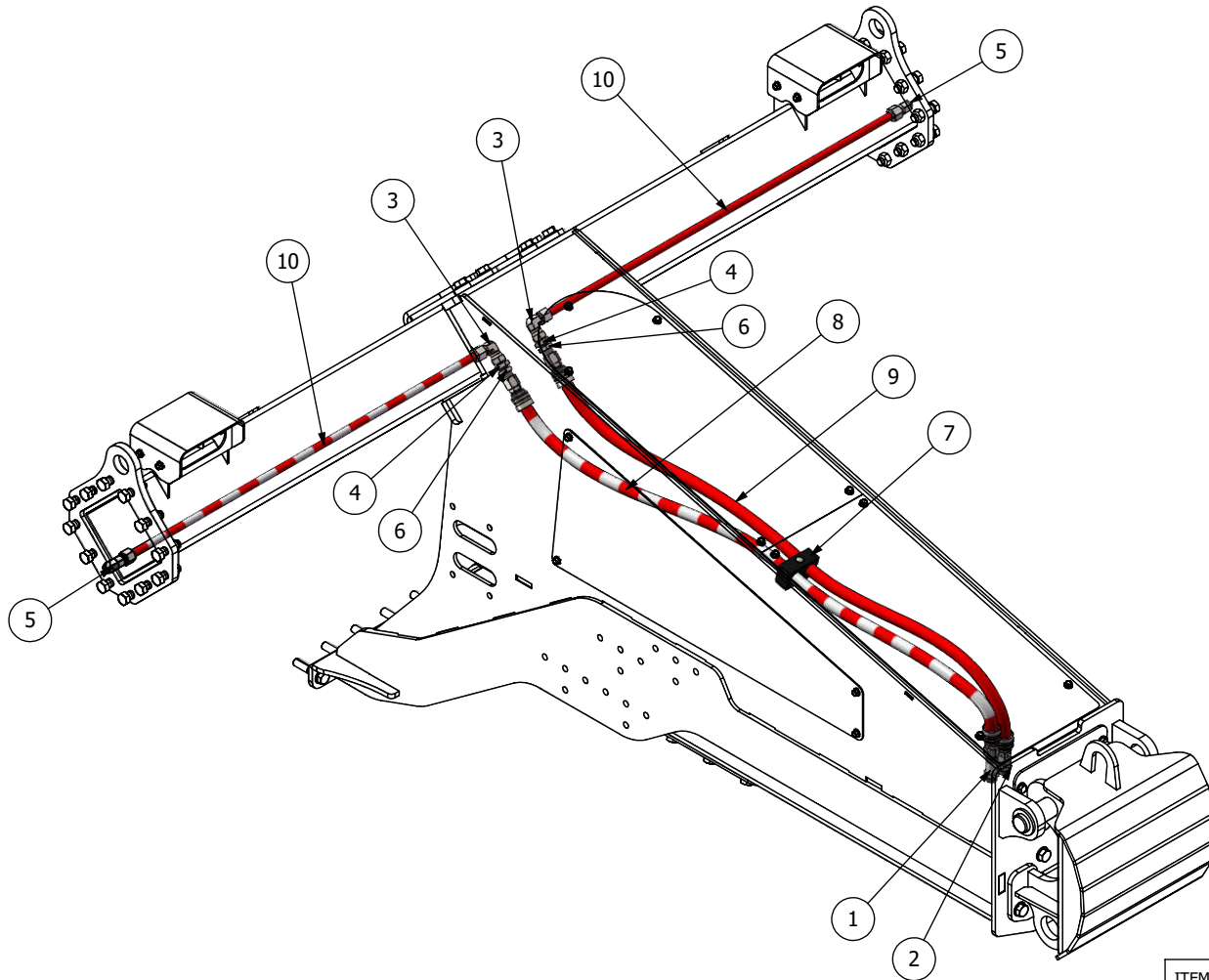
407610400 KIT				407610401 KIT			
ITEM	QTY.	PART NUMBER	DESCRIPTION	ITEM	QTY.	PART NUMBER	DESCRIPTION
1	1	407600336	PIPE CLAMPS TWIN SERIES DIN 3015, COVER PLATE 3D	1	1	407600336	PIPE CLAMPS TWIN SERIES DIN 3015, COVER PLATE 3D
2	2	407600351	HOSE CLAMP HALF TWIN 3D 19 MM	2	1	407600339	STACKING BOLT FOR TWIN CLAMPS 3D 5/16-18 UNC
3	1	BLTRC_5-16x1_3-4	BOLT GR. 8 UNC 5/16" X 1-3/4"	3	1	407600340	TWIN CLAMP SAFETY LOCKING PLATE 2-3D
				4	4	407600351	HOSE CLAMP HALF TWIN 3D 19 MM
				5	1	BLTRC_5-16x1_3-4	BOLT GR. 8 UNC 5/16" X 1-3/4"

ITEM	QTY.	PART NUMBER	ALT. P.N.	DESCRIPTION
1	1	4071_12mb_12mj	AHA-00041	ADAPTER MORB-12 X MJIC-12
2	1	4071_12mb_12mj90	AHA-00044	3/4" MJIC X 3/4" ORB 90 DEG. ADAPTOR
3	2	407610400	AHL-00002	SINGLE STACK HARD LINE CLAMP ASSEMBLY (19MM)
4	1	407610401	AHL-00022	DOUBLE STACK HARD LINE CLAMP ASSEMBLY (19 MM)
5	1	424207129		HOSE - 08_052.00E_12mj 12fjx
6	1	424207130		HOSE - 08_054.00E_12mj 12fjx
7	1	424207131		HOSE - 12_026.00E_12mj 12mj
8	1	426001258		EJECTOR LINE, 1509

# SECTION 2.04

## HYDRAULICS

1509 TAIL

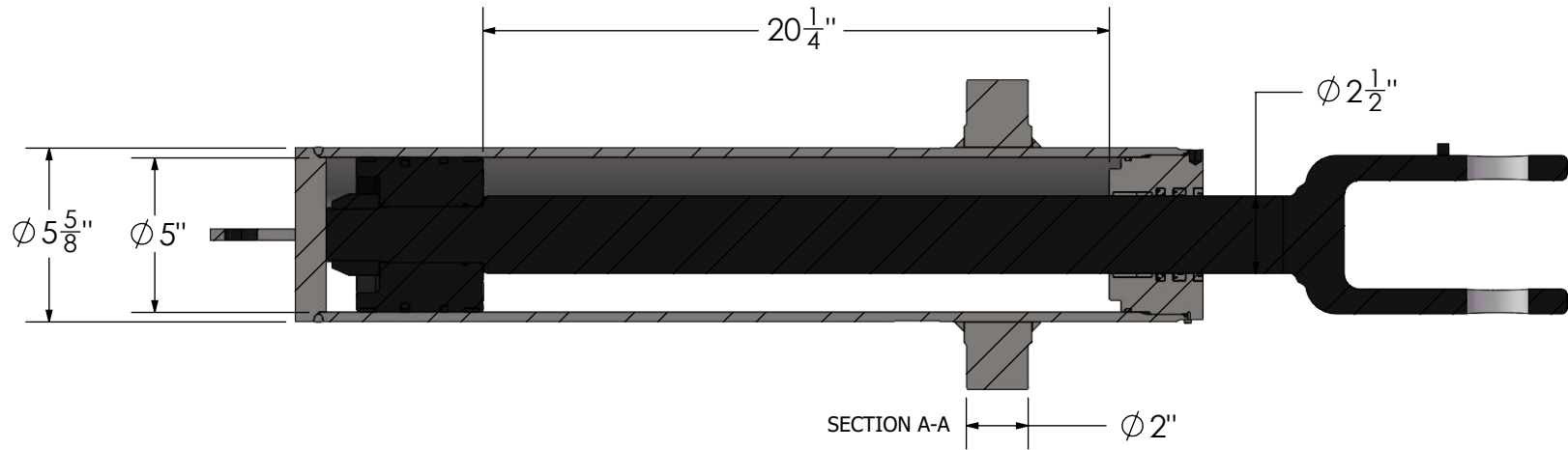


ITEM	QTY.	PART NUMBER	ALT. P.N.	DESCRIPTION
1	1	4071_12mb_12mj_L		12 MJIC X 12 MJIC STRAIGHT LONG
2	1	4071_12mb_12mj	AHA-00041	ADAPTER MORB-12 X MJIC-12
3	2	4071_12mj_12fx90		ADAPTER 90° MJIC-12 X FJIC-12 SWIVEL12fx90
4	2	4071_12mj_12mj_BH	AHA-00096	BULKHEAD MJIC-12 X MJIC-12
5	2	4071_12mj_12mj90	AHA-00019	ADAPTER 90° MJIC-12 X MJIC-12
6	2	4071_12mj_BH nut	AHA-00099	BULKHEAD NUT JIC 3/4"
7	1	407610039 KIT		SINGLE STACK CLAMP ASSEMBLY, .75" HOSE
8	1	424207132		HOSE - 12_071.00E_12fx 12fx
9	1	424207133		HOSE - 12_073.00E_12fx 12fx
10	2	426001259		EJECTOR LINE, REAR TUBE, 1509

**SECTION 3.00**

**HYDRAULIC CYLINDERS**

1509 DIRECT MOUNT LIFT CYLINDER  
(401100047)

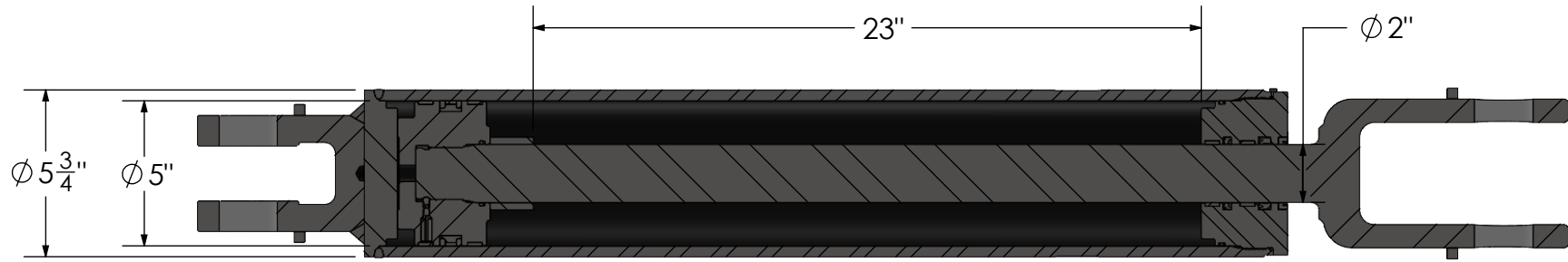


SEAL KIT # 432979  
CYLINDER # 401100047 (RR 150686A)

**SECTION 3.00**

**HYDRAULIC CYLINDERS**

1509 DOLLY LIFT CYLINDER  
(401100048)



SECTION B-B

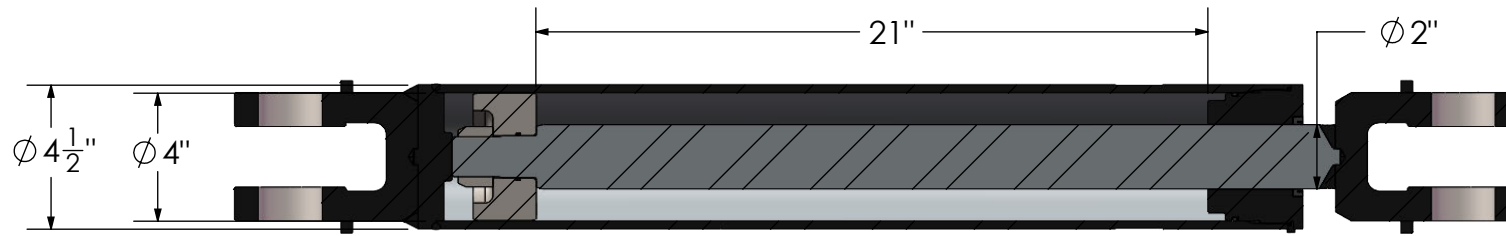


SEAL KIT # 432026  
CYLINDER # 401100048 (RR 150689A)

## SECTION 3.00

### HYDRAULIC CYLINDERS

1509 APRON/GATE CYLINDER  
(401200031)



SECTION C-C

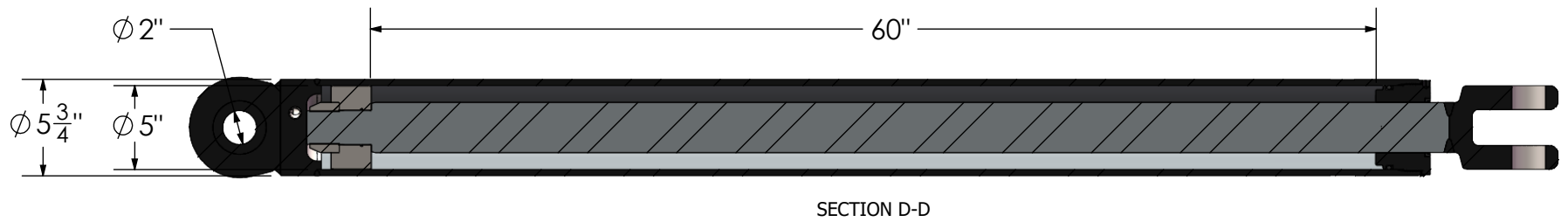


SEAL KIT # 432226  
CYLINDER # 401200031 (RR 40665A)

**SECTION 3.00**

**HYDRAULIC CYLINDERS**

1509 EJECTOR CYLINDER  
(401300055)

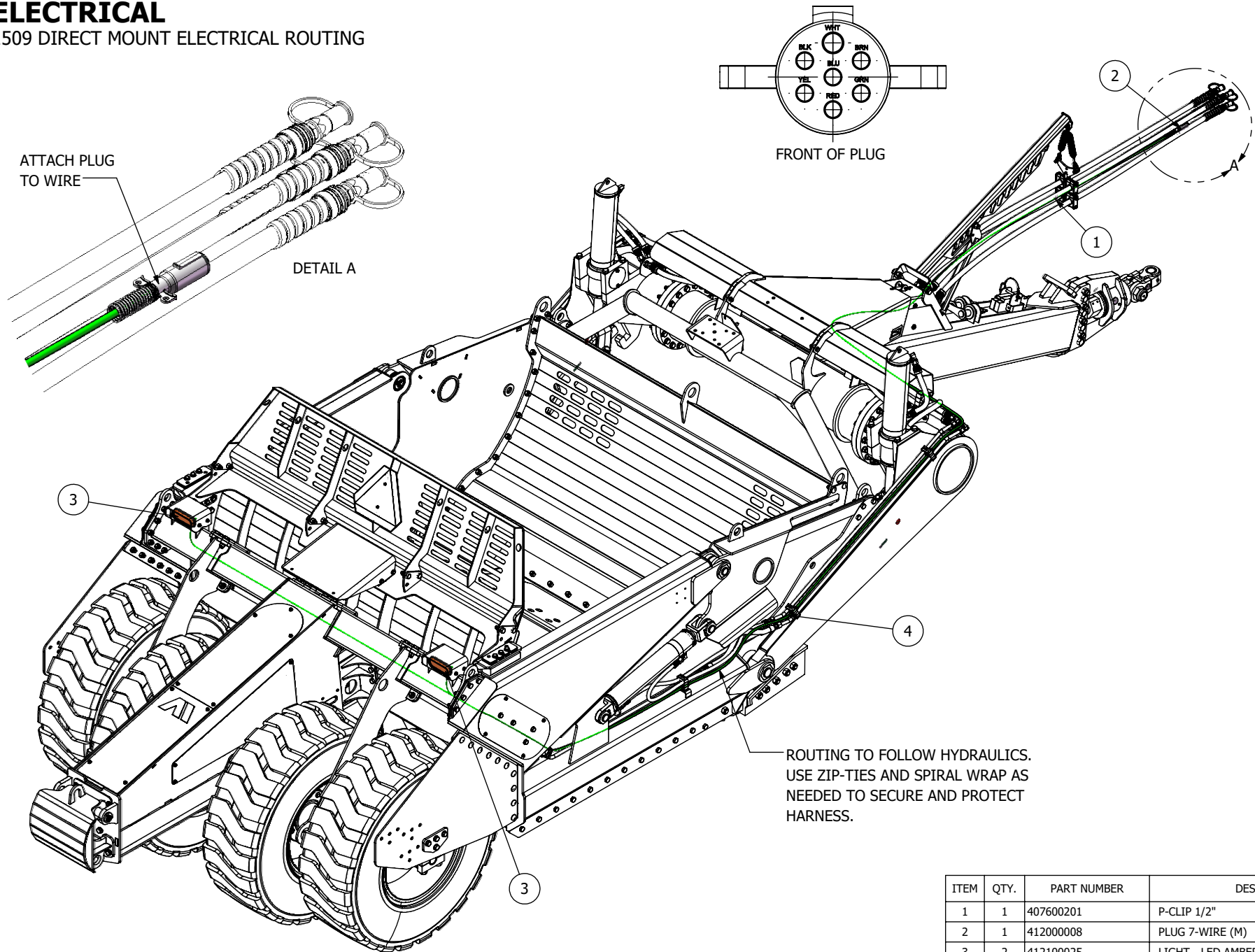


SEAL KIT # 432406  
SPHERICAL BUSHING # 720044  
CYLINDER # 401300055 (RR 150662A)

# SECTION 4.00

## ELECTRICAL

### 1509 DIRECT MOUNT ELECTRICAL ROUTING

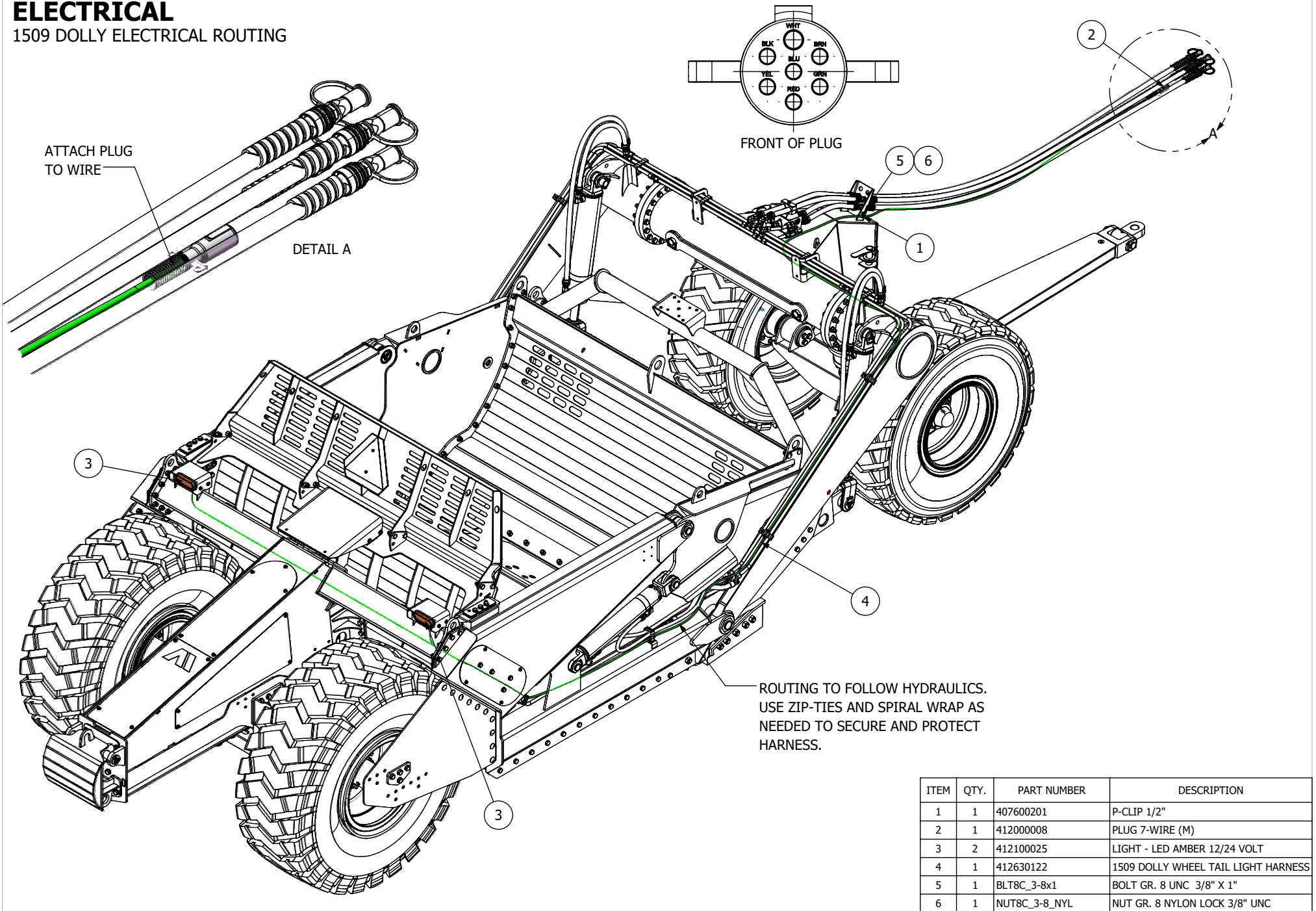


ITEM	QTY.	PART NUMBER	DESCRIPTION
1	1	407600201	P-CLIP 1/2"
2	1	412000008	PLUG 7-WIRE (M)
3	2	412100025	LIGHT - LED AMBER 12/24 VOLT
4	1	412630121	1509 TAIL LIGHT HARNESS

# SECTION 4.00

## ELECTRICAL

### 1509 DOLLY ELECTRICAL ROUTING

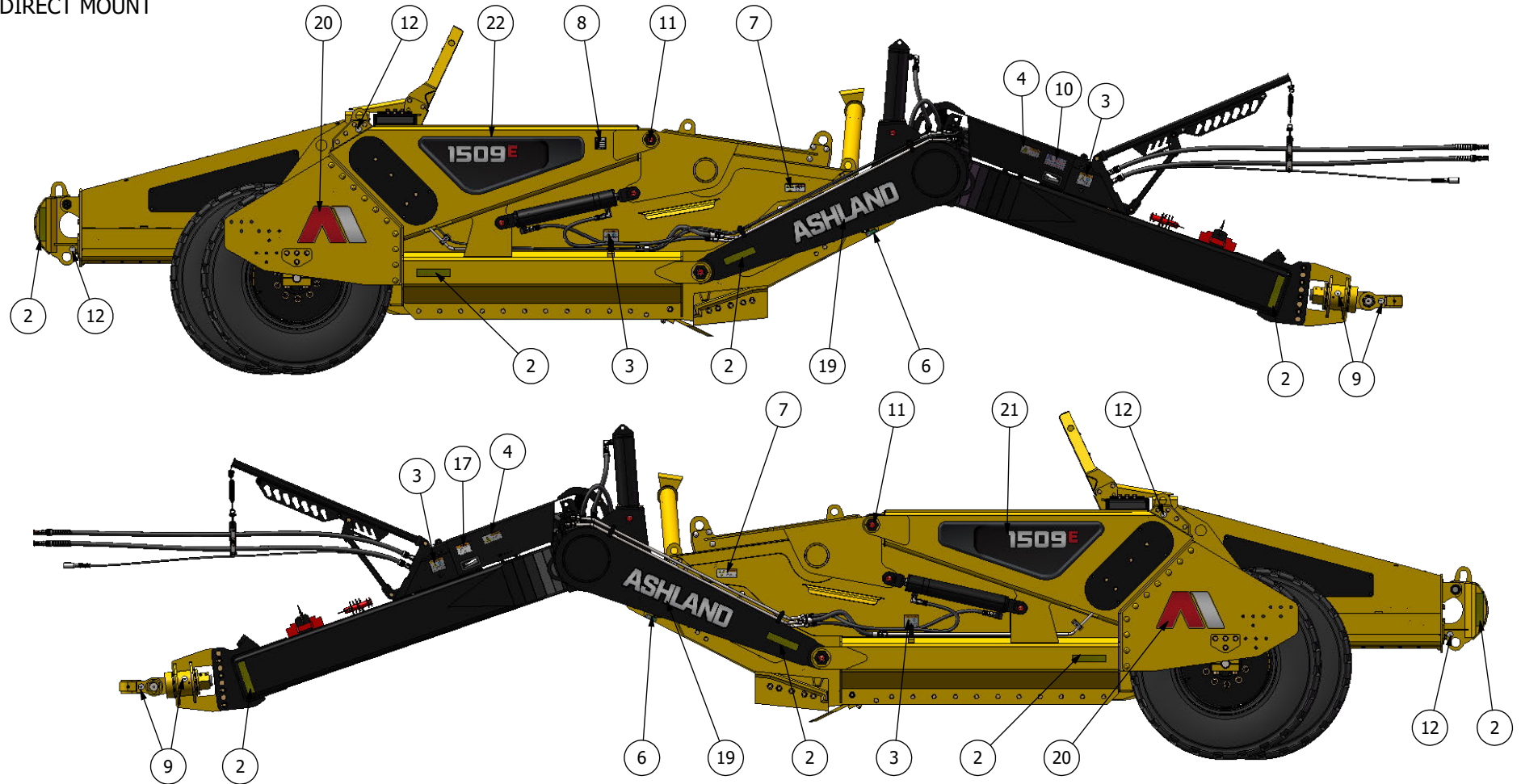


ITEM	QTY.	PART NUMBER	DESCRIPTION
1	1	407600201	P-CLIP 1/2"
2	1	412000008	PLUG 7-WIRE (M)
3	2	412100025	LIGHT - LED AMBER 12/24 VOLT
4	1	412630122	1509 DOLLY WHEEL TAIL LIGHT HARNESS
5	1	BLT8C_3-8x1	BOLT GR. 8 UNC 3/8" X 1"
6	1	NUT8C_3-8_NYL	NUT GR. 8 NYLON LOCK 3/8" UNC

# SECTION 5.00

## DECALS

1509 DIRECT MOUNT

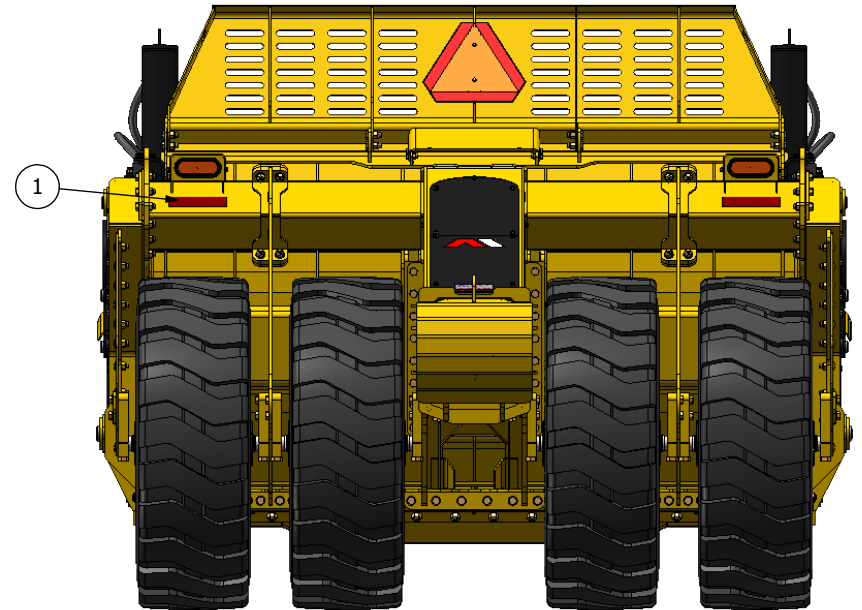
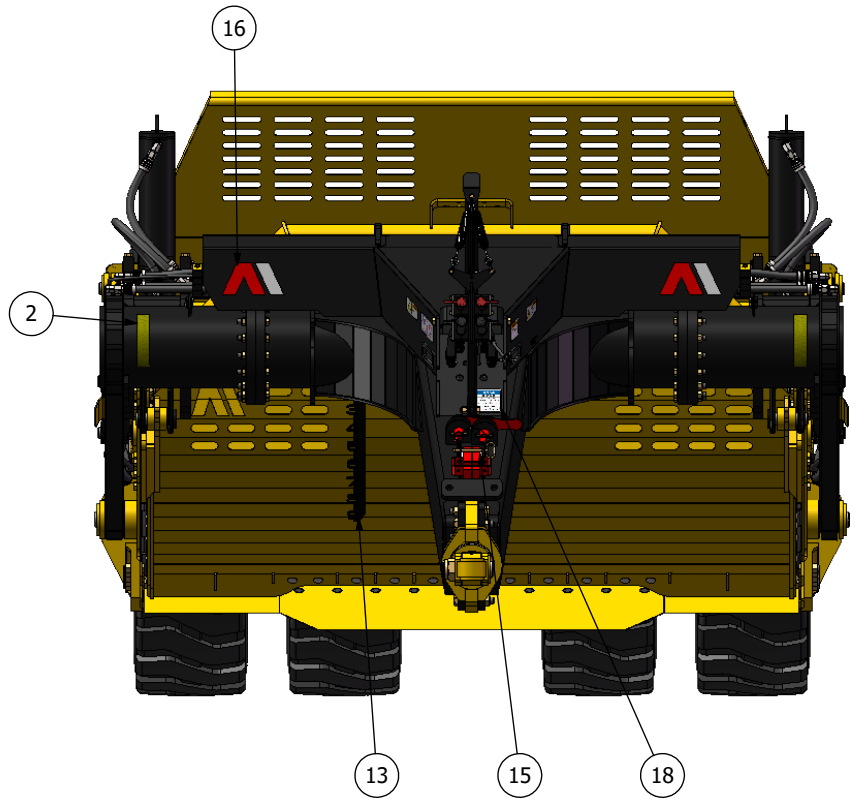


ITEM	QTY.	PART NUMBER	ALT. P.N.	DESCRIPTION	ITEM	QTY.	PART NUMBER	ALT. P.N.	DESCRIPTION
1	2	411000003		DECAL RED STRIP (REFLECTIVE LIGHT)	12	6	411000281	ADS-00091	DECAL - LIFT POINT ROUND
2	10	411000004		DECAL - REFLECTIVE TAPE, YELLOW	13	1	411000283	ADS-00066	DECAL - DEPTH GAUGE
3	4	411000040	750464	DECAL - WARNING HIGH-PRESSURE HYD	14	4	411000353	ADS-00046	DECAL WARNING - NOT FOR LIFTING
4	2	411000064		DECAL WARNING - FALL HAZARD	15	1	411000355	ADS-00047	DECAL SAFETY LOCK INSTRUCTIONS
5	1	411000097		DECAL PINCH HAZARD	16	3	411000373		DECAL - AI LOGO MEDIUM
6	2	411000102		DECAL TIE-DOWN	17	1	411000413		DECAL - RUNAWAY MACHINE
7	2	411000261	ADS-00011	DECAL - CRUSHING HAZARD	18	1	411000469		DECAL - 2 CIRCUIT & WALKING TANDEM HYD COLOR CODING
8	1	411000263		SERIAL NUMBER PLATE	19	2	411000474		DECAL - ASHLAND WORDMARK LARGE
9	6	411000270		DECAL: GREASE POINT ROUND 1.625"	20	2	411000475		DECAL - AI LOGO LARGE (GT)
10	2	411000277	ADS-00069	DECAL AMERICAN BUILT	21	1	411000476		DECAL - LEFT 1509 BADGE
11	15	411000278	ADS-00083	DECAL - GREASELESS POINT ROUND	22	1	411000477		DECAL - RIGHT 1509 BADGE

## SECTION 5.00

### DECALS

1509 DIRECT MOUNT

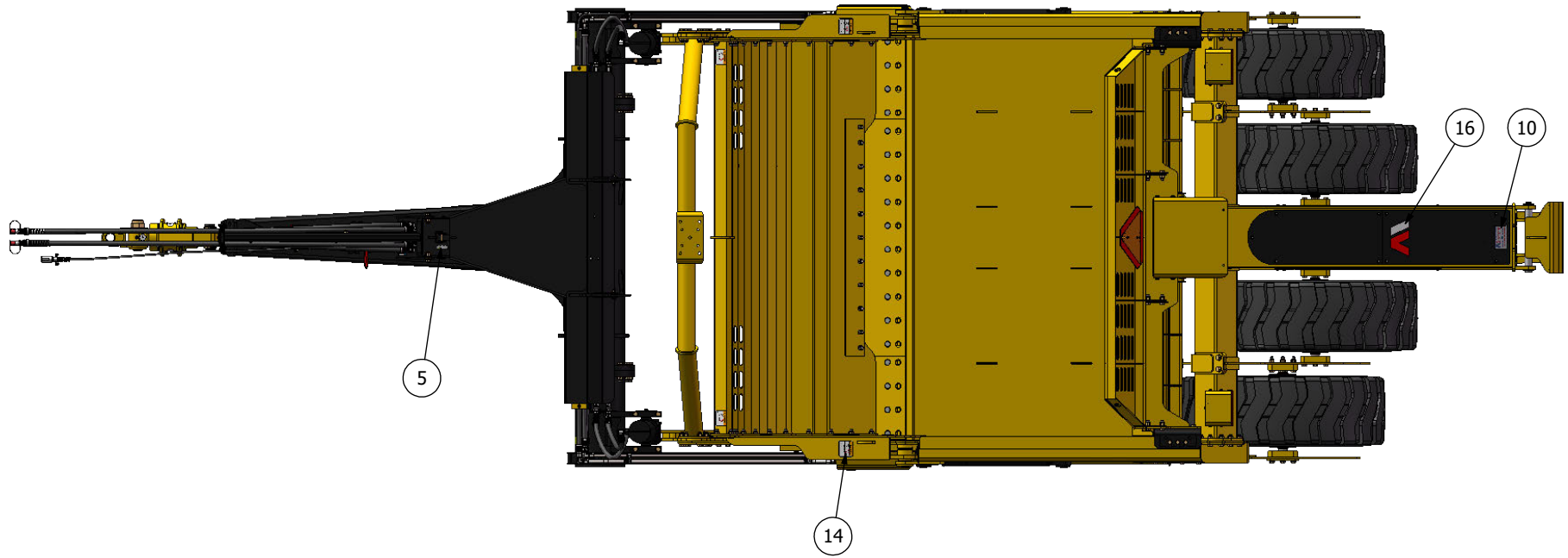


ITEM	QTY.	PART NUMBER	ALT. P.N.	DESCRIPTION	ITEM	QTY.	PART NUMBER	ALT. P.N.	DESCRIPTION
1	2	41100003		DECAL RED STRIP (REFLECTIVE LIGHT)	12	6	411000281	ADS-00091	DECAL - LIFT POINT ROUND
2	10	41100004		DECAL - REFLECTIVE TAPE, YELLOW	13	1	411000283	ADS-00066	DECAL - DEPTH GAUGE
3	4	411000040	750464	DECAL - WARNING HIGH-PRESSURE HYD	14	4	411000353	ADS-00046	DECAL WARNING - NOT FOR LIFTING
4	2	411000064		DECAL WARNING - FALL HAZARD	15	1	411000355	ADS-00047	DECAL SAFETY LOCK INSTRUCTIONS
5	1	411000097		DECAL PINCH HAZARD	16	3	411000373		DECAL - AI LOGO MEDIUM
6	2	411000102		DECAL TIE-DOWN	17	1	411000413		DECAL - RUNAWAY MACHINE
7	2	411000261	ADS-00011	DECAL - CRUSHING HAZARD	18	1	411000469		DECAL - 2 CIRCUIT & WALKING TANDEM HYD COLOR CODING
8	1	411000263		SERIAL NUMBER PLATE	19	2	411000474		DECAL - ASHLAND WORDMARK LARGE
9	6	411000270		DECAL: GREASE POINT ROUND 1.625"	20	2	411000475		DECAL - AI LOGO LARGE (GT)
10	2	411000277	ADS-00069	DECAL AMERICAN BUILT	21	1	411000476		DECAL - LEFT 1509 BADGE
11	15	411000278	ADS-00083	DECAL - GREASELESS POINT ROUND	22	1	411000477		DECAL - RIGHT 1509 BADGE

# SECTION 5.00

## DECALS

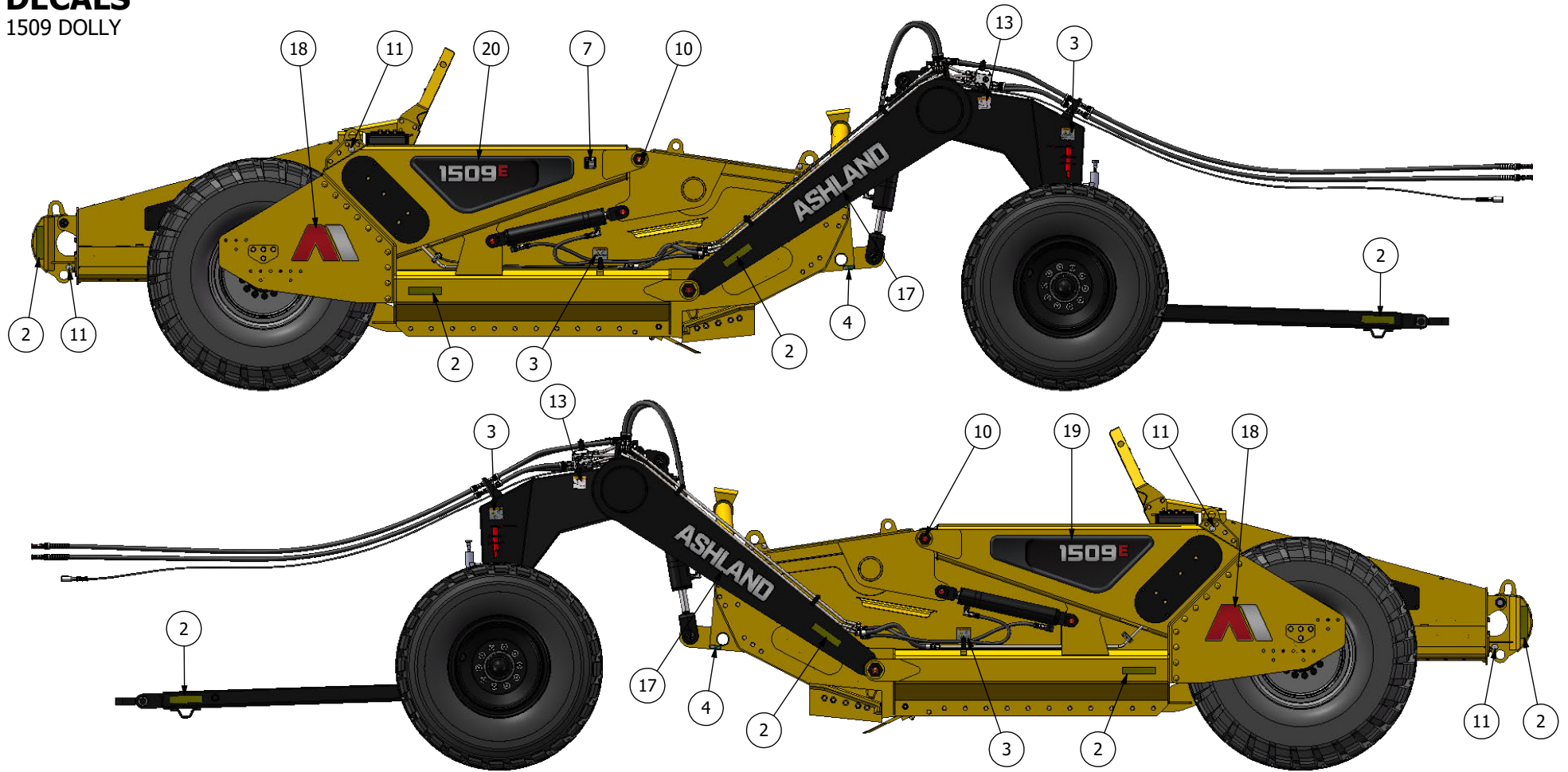
1509 DIRECT MOUNT



ITEM	QTY.	PART NUMBER	ALT. P.N.	DESCRIPTION	ITEM	QTY.	PART NUMBER	ALT. P.N.	DESCRIPTION
1	2	41100003		DECAL RED STRIP (REFLECTIVE LIGHT)	12	6	411000281	ADS-00091	DECAL - LIFT POINT ROUND
2	10	41100004		DECAL - REFLECTIVE TAPE, YELLOW	13	1	411000283	ADS-00066	DECAL - DEPTH GAUGE
3	4	411000040	750464	DECAL - WARNING HIGH-PRESSURE HYD	14	4	411000353	ADS-00046	DECAL WARNING - NOT FOR LIFTING
4	2	411000064		DECAL WARNING - FALL HAZARD	15	1	411000355	ADS-00047	DECAL SAFETY LOCK INSTRUCTIONS
5	1	411000097		DECAL PINCH HAZARD	16	3	411000373		DECAL - AI LOGO MEDIUM
6	2	411000102		DECAL TIE-DOWN	17	1	411000413		DECAL - RUNAWAY MACHINE
7	2	411000261	ADS-00011	DECAL - CRUSHING HAZARD	18	1	411000469		DECAL - 2 CIRCUIT & WALKING TANDEM HYD COLOR CODING
8	1	411000263		SERIAL NUMBER PLATE	19	2	411000474		DECAL - ASHLAND WORDMARK LARGE
9	6	411000270		DECAL: GREASE POINT ROUND 1.625"	20	2	411000475		DECAL - AI LOGO LARGE (GT)
10	2	411000277	ADS-00069	DECAL AMERICAN BUILT	21	1	411000476		DECAL - LEFT 1509 BADGE
11	15	411000278	ADS-00083	DECAL - GREASELESS POINT ROUND	22	1	411000477		DECAL - RIGHT 1509 BADGE

# SECTION 5.00

## DECALS 1509 DOLLY

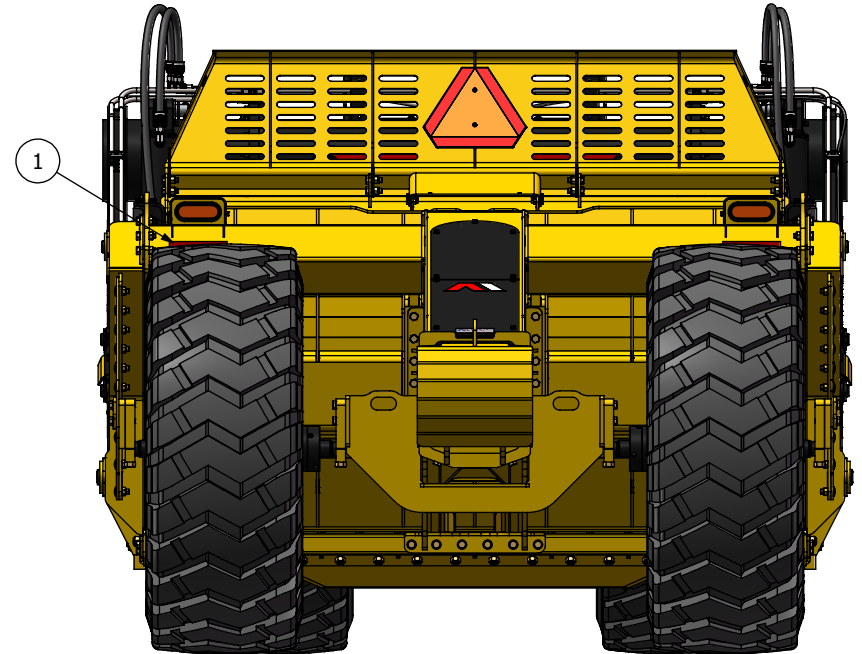
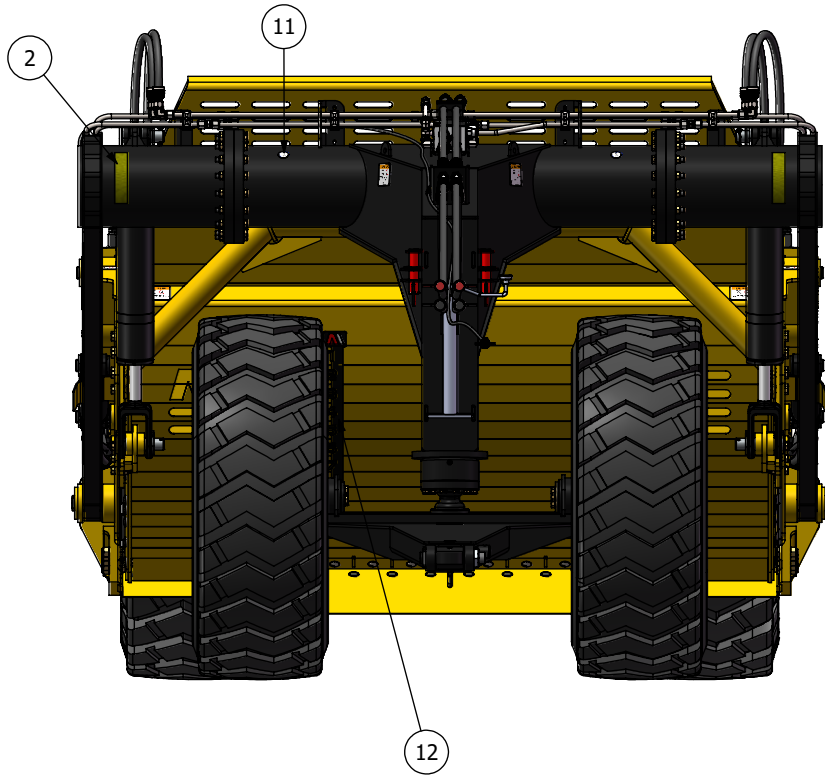


ITEM	QTY.	PART NUMBER	ALT. P.N.	DESCRIPTION	ITEM	QTY.	PART NUMBER	ALT. P.N.	DESCRIPTION
1	2	411000003		DECAL RED STRIP (REFLECTIVE LIGHT)	11	8	411000281	ADS-00091	DECAL - LIFT POINT ROUND
2	10	411000004		DECAL - REFLECTIVE TAPE, YELLOW	12	1	411000283	ADS-00066	DECAL - DEPTH GAUGE
3	4	411000040	750464	DECAL - WARNING HIGH-PRESSURE HYD	13	6	411000353	ADS-00046	DECAL WARNING - NOT FOR LIFTING
4	2	411000102		DECAL TIE-DOWN	14	1	411000355	ADS-00047	DECAL SAFETY LOCK INSTRUCTIONS
5	2	411000124		DECAL: GREASE ARROW	15	1	411000373		DECAL - AI LOGO MEDIUM
6	2	411000261	ADS-00011	DECAL - CRUSHING HAZARD	16	1	411000417		DECAL - WARNING, MACHINERY HAZARD
7	1	411000263		SERIAL NUMBER PLATE	17	2	411000474		DECAL - ASHLAND WORDMARK LARGE
8	1	411000270		DECAL: GREASE POINT ROUND 1.625"	18	2	411000475		DECAL - AI LOGO LARGE (GT)
9	1	411000277	ADS-00069	DECAL AMERICAN BUILT	19	1	411000476		DECAL - LEFT 1509 BADGE
10	13	411000278	ADS-00083	DECAL - GREASELESS POINT ROUND	20	1	411000477		DECAL - RIGHT 1509 BADGE

## SECTION 5.00

### DECALS

1509 DOLLY

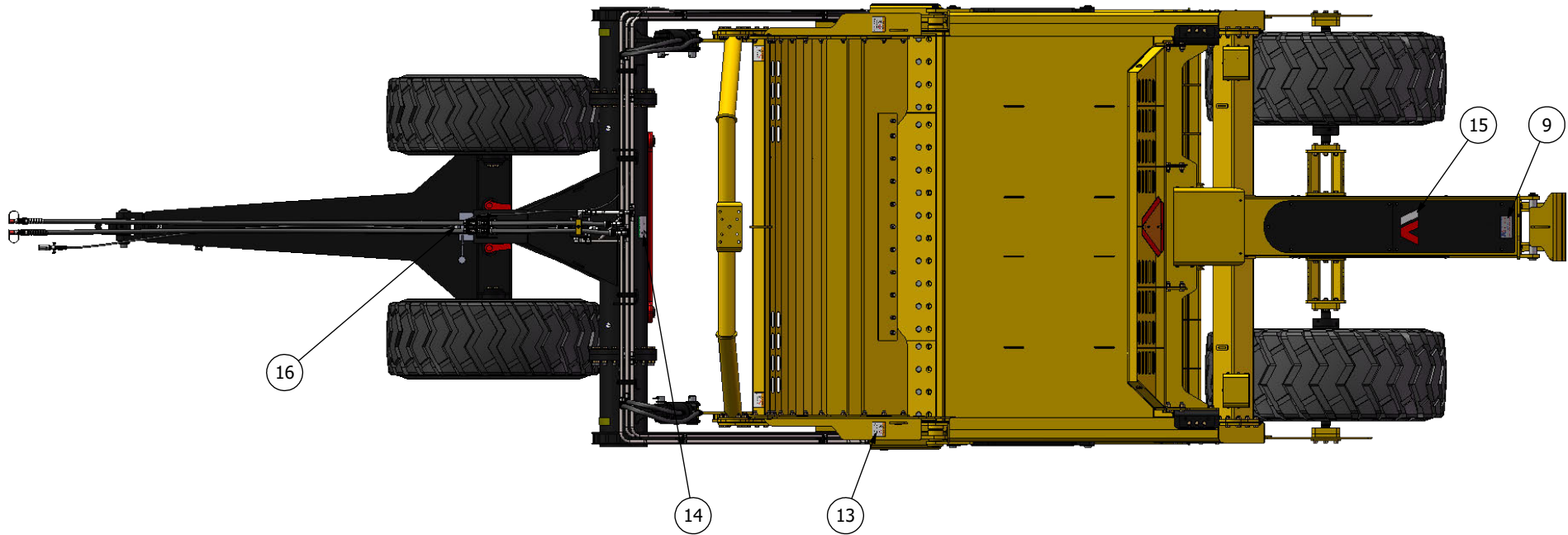


ITEM	QTY.	PART NUMBER	ALT. P.N.	DESCRIPTION	ITEM	QTY.	PART NUMBER	ALT. P.N.	DESCRIPTION
1	2	411000003		DECAL RED STRIP (REFLECTIVE LIGHT)	11	8	411000281	ADS-00091	DECAL - LIFT POINT ROUND
2	10	411000004		DECAL - REFLECTIVE TAPE, YELLOW	12	1	411000283	ADS-00066	DECAL - DEPTH GAUGE
3	4	411000040	750464	DECAL - WARNING HIGH-PRESSURE HYD	13	6	411000353	ADS-00046	DECAL WARNING - NOT FOR LIFTING
4	2	411000102		DECAL TIE-DOWN	14	1	411000355	ADS-00047	DECAL SAFETY LOCK INSTRUCTIONS
5	2	411000124		DECAL: GREASE ARROW	15	1	411000373		DECAL - AI LOGO MEDIUM
6	2	411000261	ADS-00011	DECAL - CRUSHING HAZARD	16	1	411000417		DECAL - WARNING, MACHINERY HAZARD
7	1	411000263		SERIAL NUMBER PLATE	17	2	411000474		DECAL - ASHLAND WORDMARK LARGE
8	1	411000270		DECAL: GREASE POINT ROUND 1.625"	18	2	411000475		DECAL - AI LOGO LARGE (GT)
9	1	411000277	ADS-00069	DECAL AMERICAN BUILT	19	1	411000476		DECAL - LEFT 1509 BADGE
10	13	411000278	ADS-00083	DECAL - GREASELESS POINT ROUND	20	1	411000477		DECAL - RIGHT 1509 BADGE

# SECTION 5.00

## DECALS

1509 DOLLY

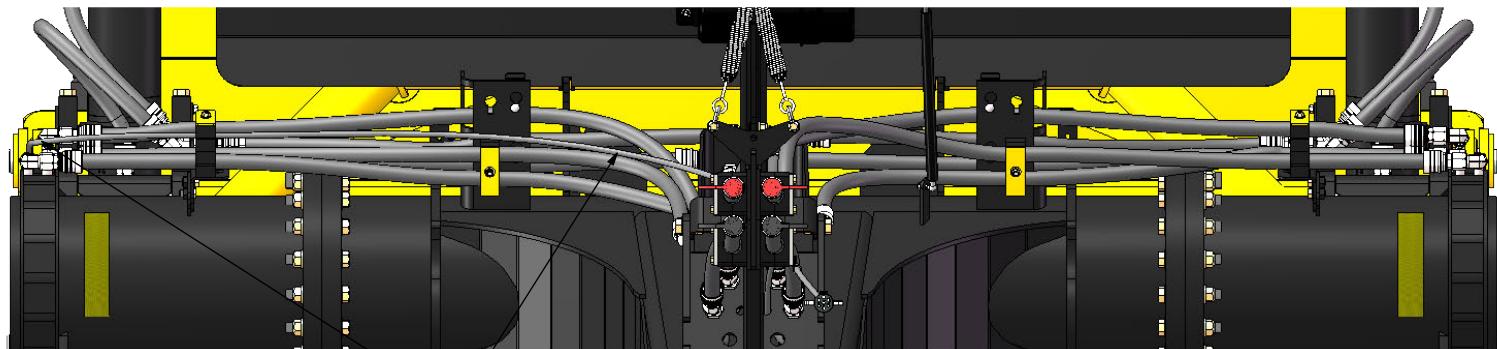
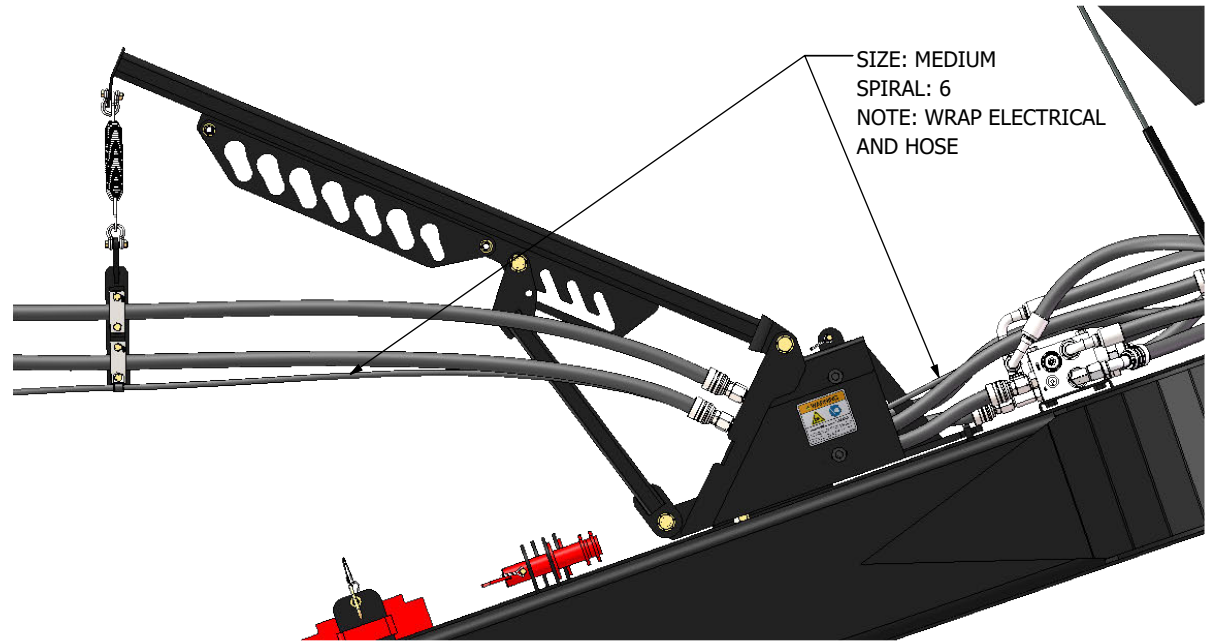


ITEM	QTY.	PART NUMBER	ALT. P.N.	DESCRIPTION	ITEM	QTY.	PART NUMBER	ALT. P.N.	DESCRIPTION
1	2	411000003		DECAL RED STRIP (REFLECTIVE LIGHT)	11	8	411000281	ADS-00091	DECAL - LIFT POINT ROUND
2	10	411000004		DECAL - REFLECTIVE TAPE, YELLOW	12	1	411000283	ADS-00066	DECAL - DEPTH GAUGE
3	4	411000040	750464	DECAL - WARNING HIGH-PRESSURE HYD	13	6	411000353	ADS-00046	DECAL WARNING - NOT FOR LIFTING
4	2	411000102		DECAL TIE-DOWN	14	1	411000355	ADS-00047	DECAL SAFETY LOCK INSTRUCTIONS
5	2	411000124		DECAL: GREASE ARROW	15	1	411000373		DECAL - AI LOGO MEDIUM
6	2	411000261	ADS-00011	DECAL - CRUSHING HAZARD	16	1	411000417		DECAL - WARNING, MACHINERY HAZARD
7	1	411000263		SERIAL NUMBER PLATE	17	2	411000474		DECAL - ASHLAND WORDMARK LARGE
8	1	411000270		DECAL: GREASE POINT ROUND 1.625"	18	2	411000475		DECAL - AI LOGO LARGE (GT)
9	1	411000277	ADS-00069	DECAL AMERICAN BUILT	19	1	411000476		DECAL - LEFT 1509 BADGE
10	13	411000278	ADS-00083	DECAL - GREASELESS POINT ROUND	20	1	411000477		DECAL - RIGHT 1509 BADGE

**SECTION 6.00**

**SPIRAL WRAP**

1509 DIRECT MOUNT, POLE

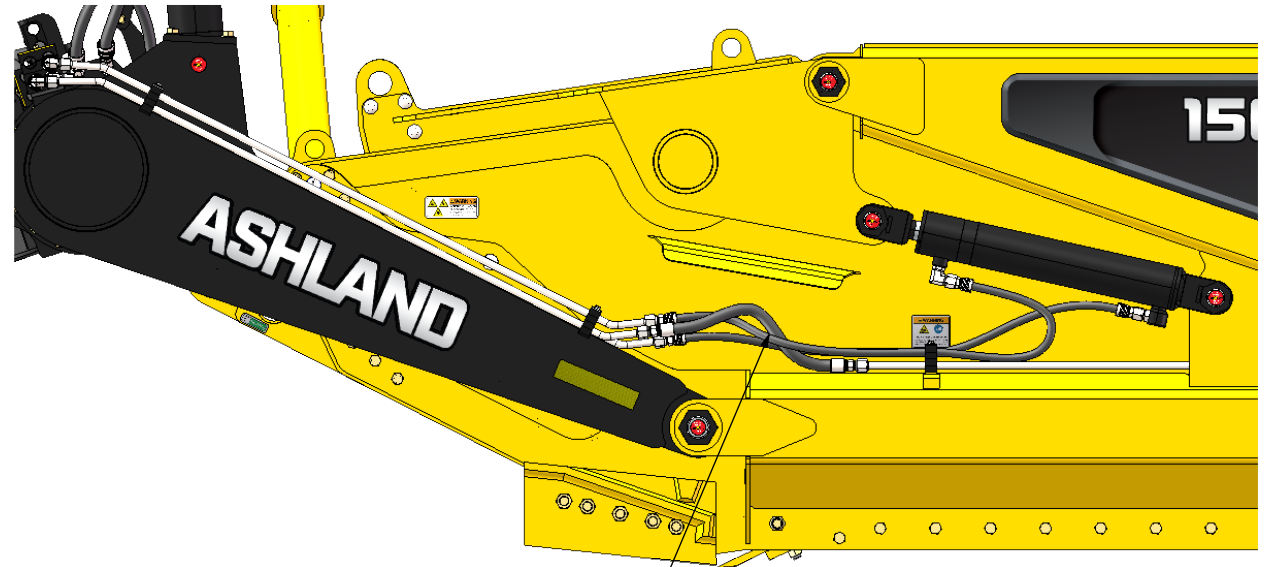


SIZE: MEDIUM  
SPIRAL: 6  
NOTE: WRAP ELECTRICAL  
AND HOSE

## SECTION 6.00

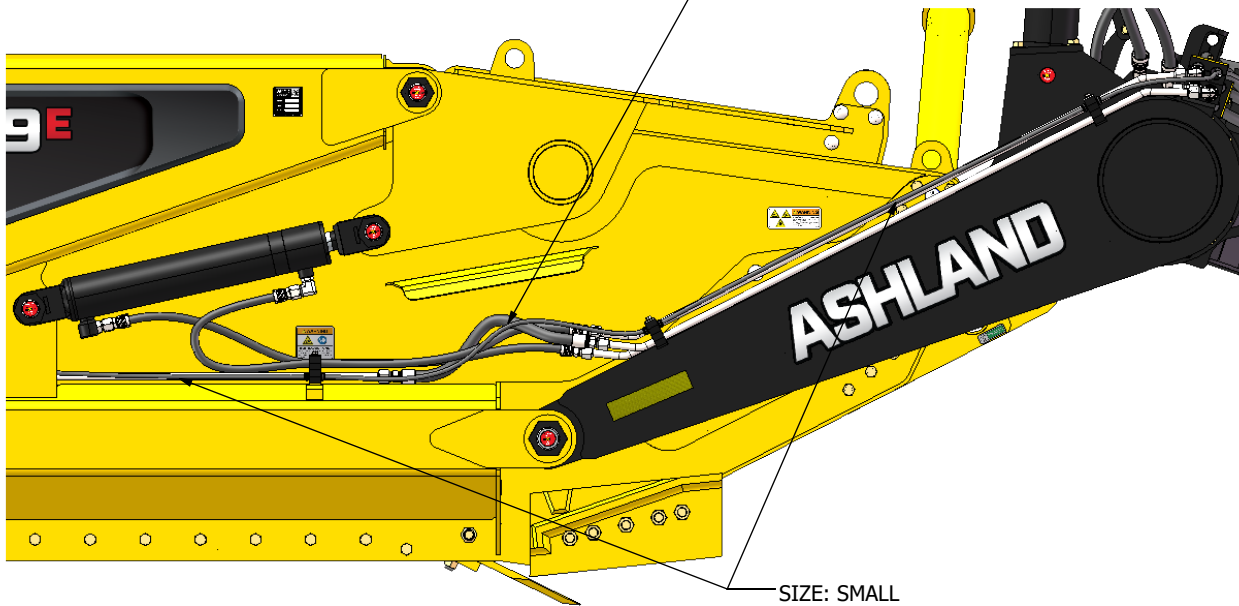
### SPIRAL WRAP

1509, SIDES



SIZE: LARGE  
SPIRAL: 10  
NOTE: STARTING 2-3" AWAY FROM CRIMP FITTING,  
WRAP THE LENGTH OF HOSES UNTIL 10 WRAPS ARE USED

SIZE: LARGE  
SPIRAL: 10  
NOTE: STARTING 2-3" AWAY FROM CRIMP FITTING,  
WRAP THE LENGTH OF HOSES UNTIL 10 WRAPS ARE USED



SIZE: SMALL  
SPIRAL: 8  
NOTE: WRAP ELECTRICAL  
HARNESS TO STEEL LINE

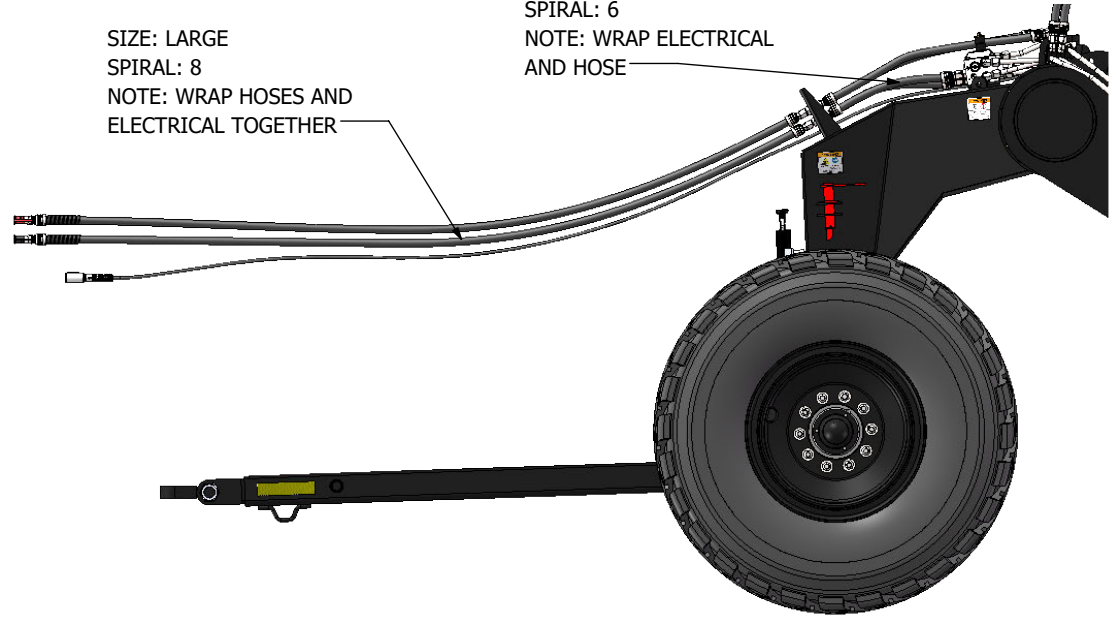
# SECTION 6.00

## SPIRAL WRAP

1509 DOLLY, GOOSENECK

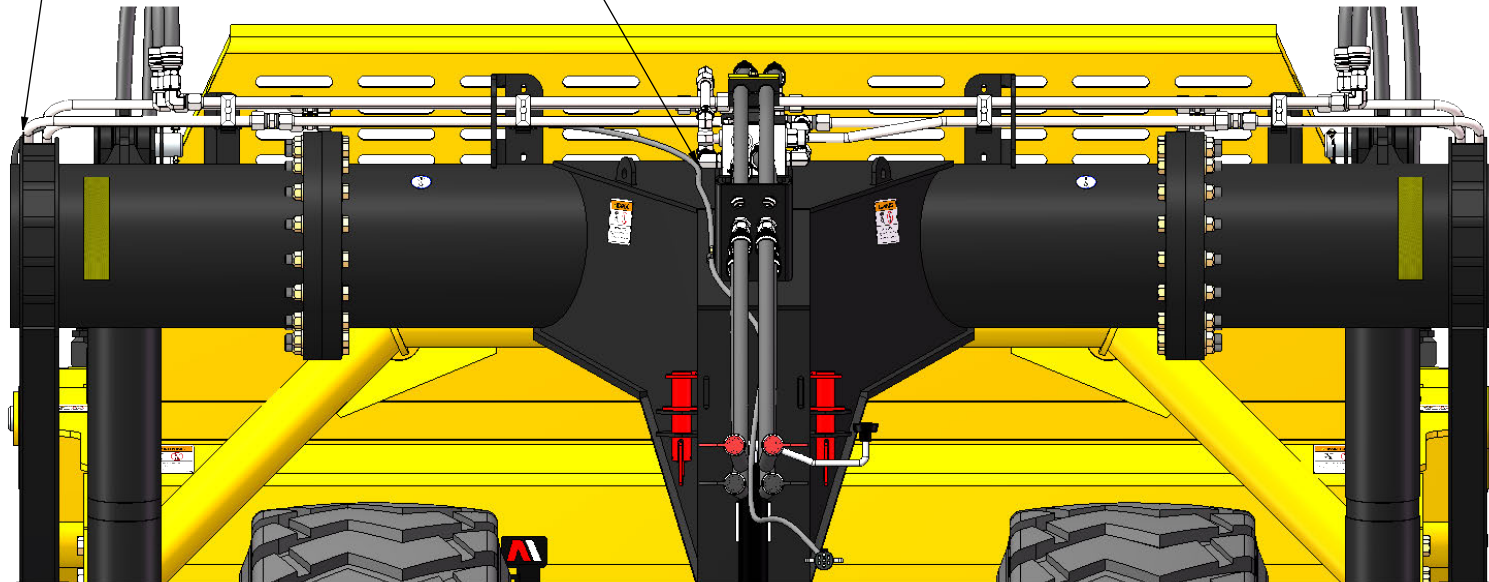
SIZE: LARGE  
SPIRAL: 8  
NOTE: WRAP HOSES AND  
ELECTRICAL TOGETHER

SIZE: MEDIUM  
SPIRAL: 6  
NOTE: WRAP ELECTRICAL  
AND HOSE



SIZE: SMALL  
SPIRAL: 6  
NOTE: WRAP ELECTRICAL  
AND STEEL LINE

SIZE: MEDIUM  
SPIRAL: 6  
NOTE: WRAP ELECTRICAL  
AND HOSE

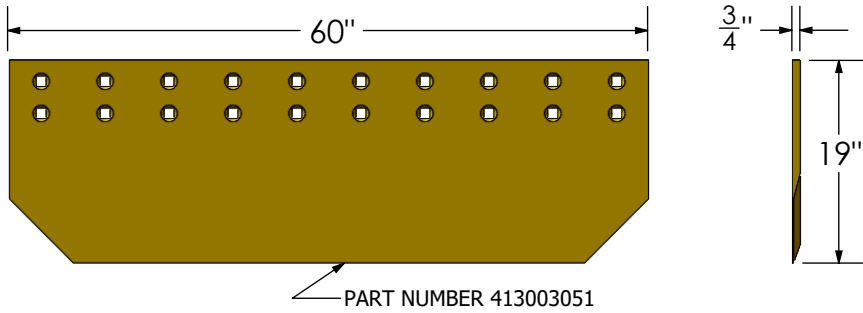


# SECTION 7.00

## CUTTING EDGES

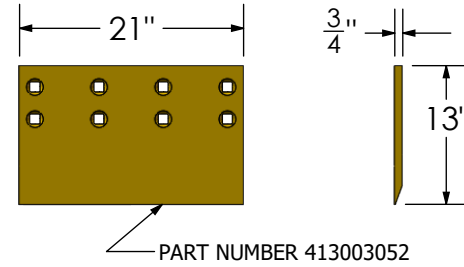
1509 CUTTING EDGES

### CENTER EDGES

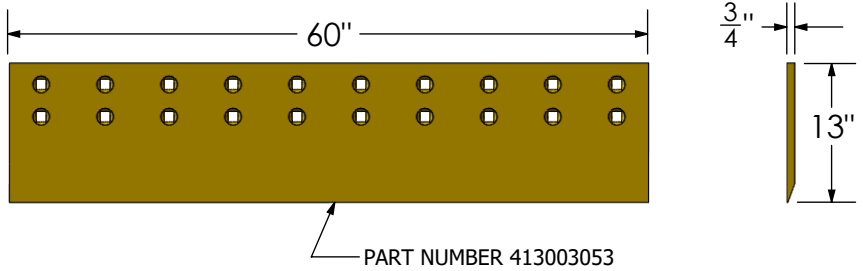
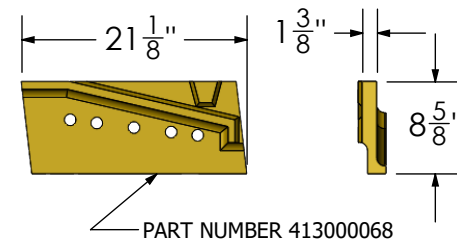


STANDARD

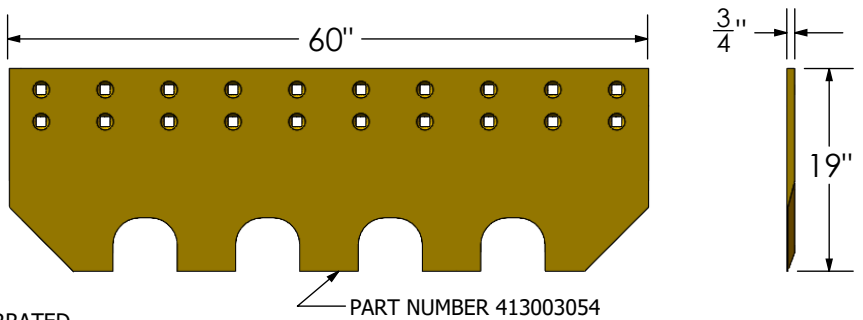
### SIDE EDGES



### ROUTER BITS



FLAT



SERRATED