

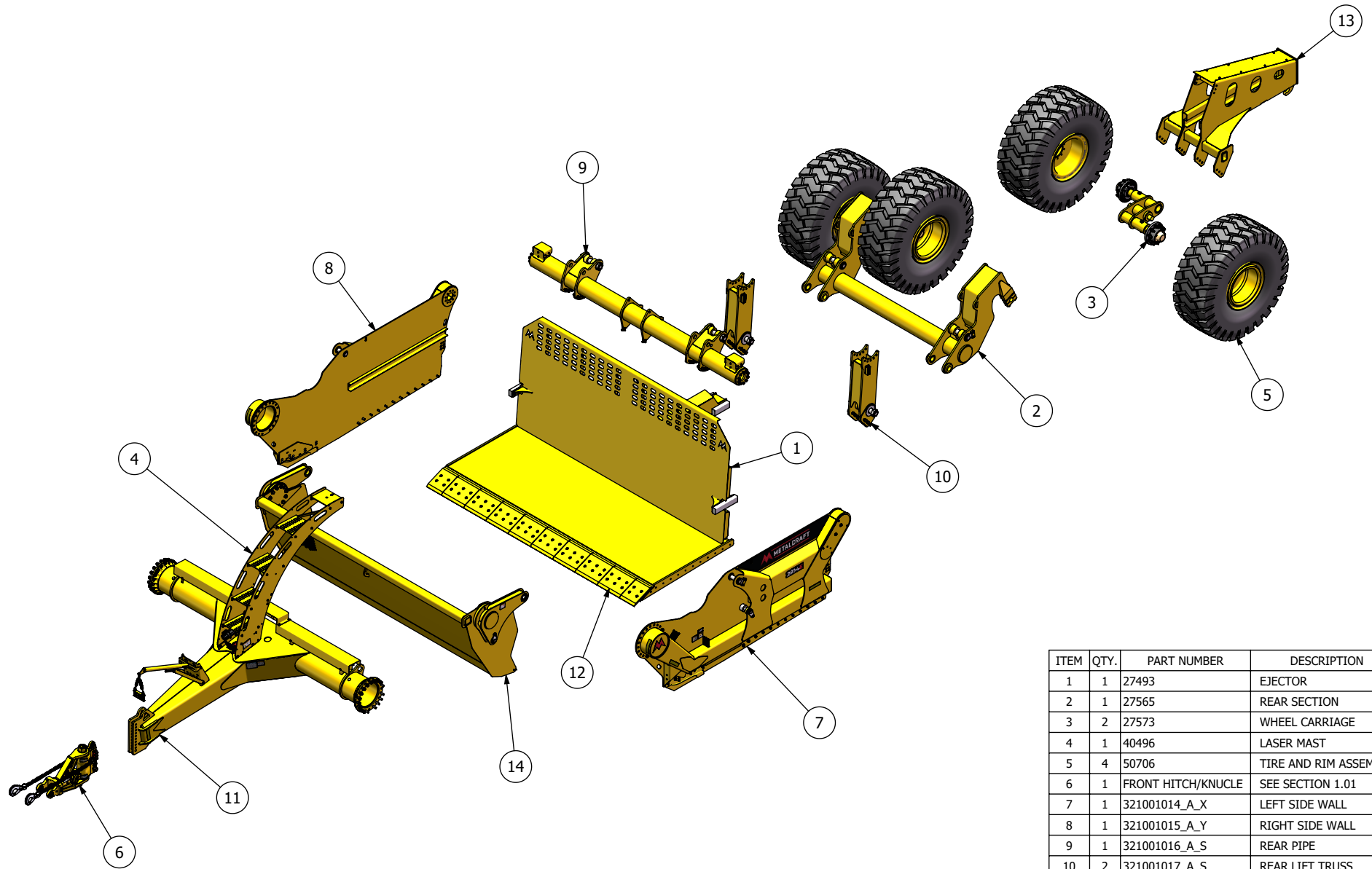
WEIGHT: 34,510 LBS

2814E EJECTOR SCRAPER

SECTION 1.00

STRUCTURAL

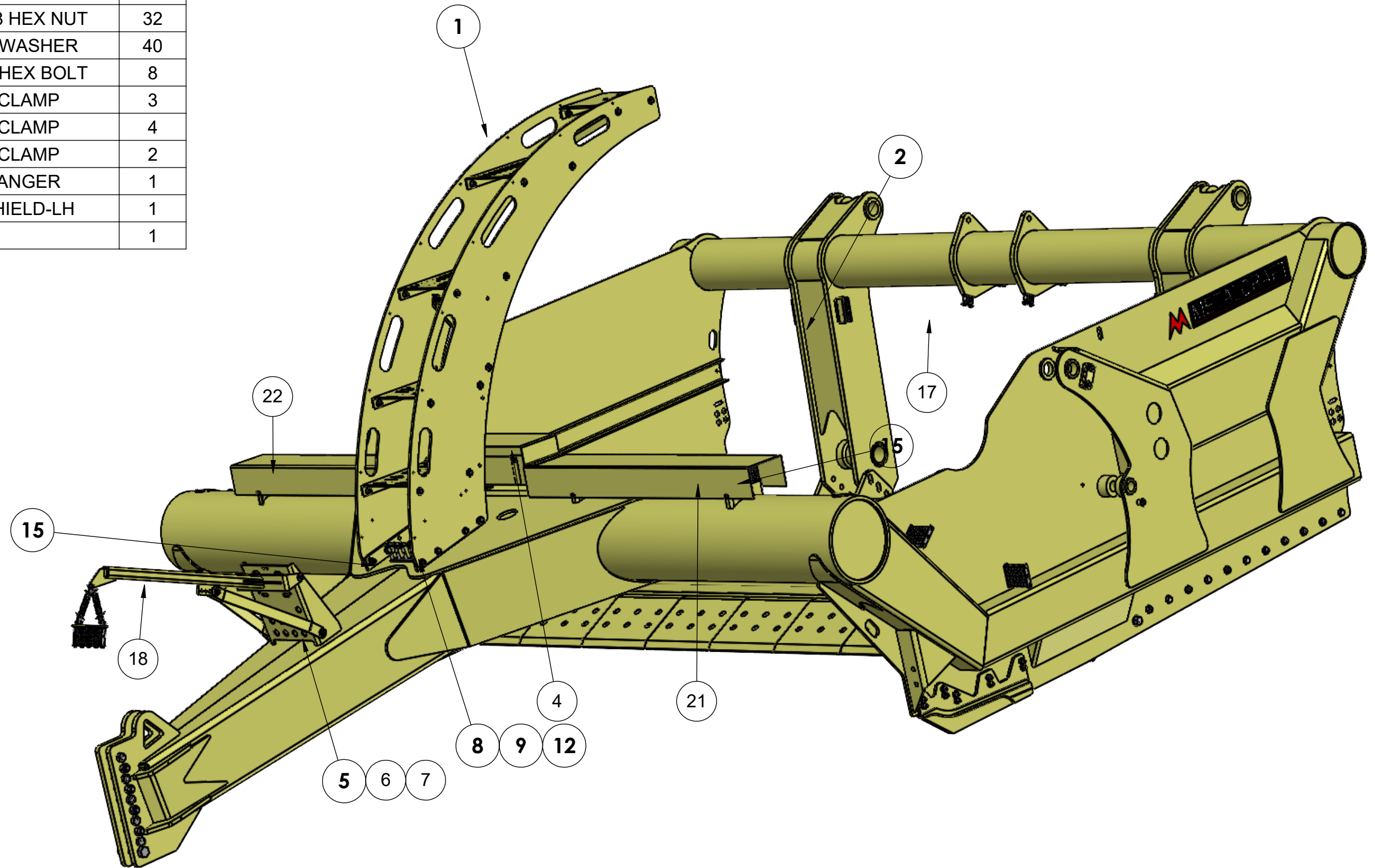
2814E BREAKDOWN



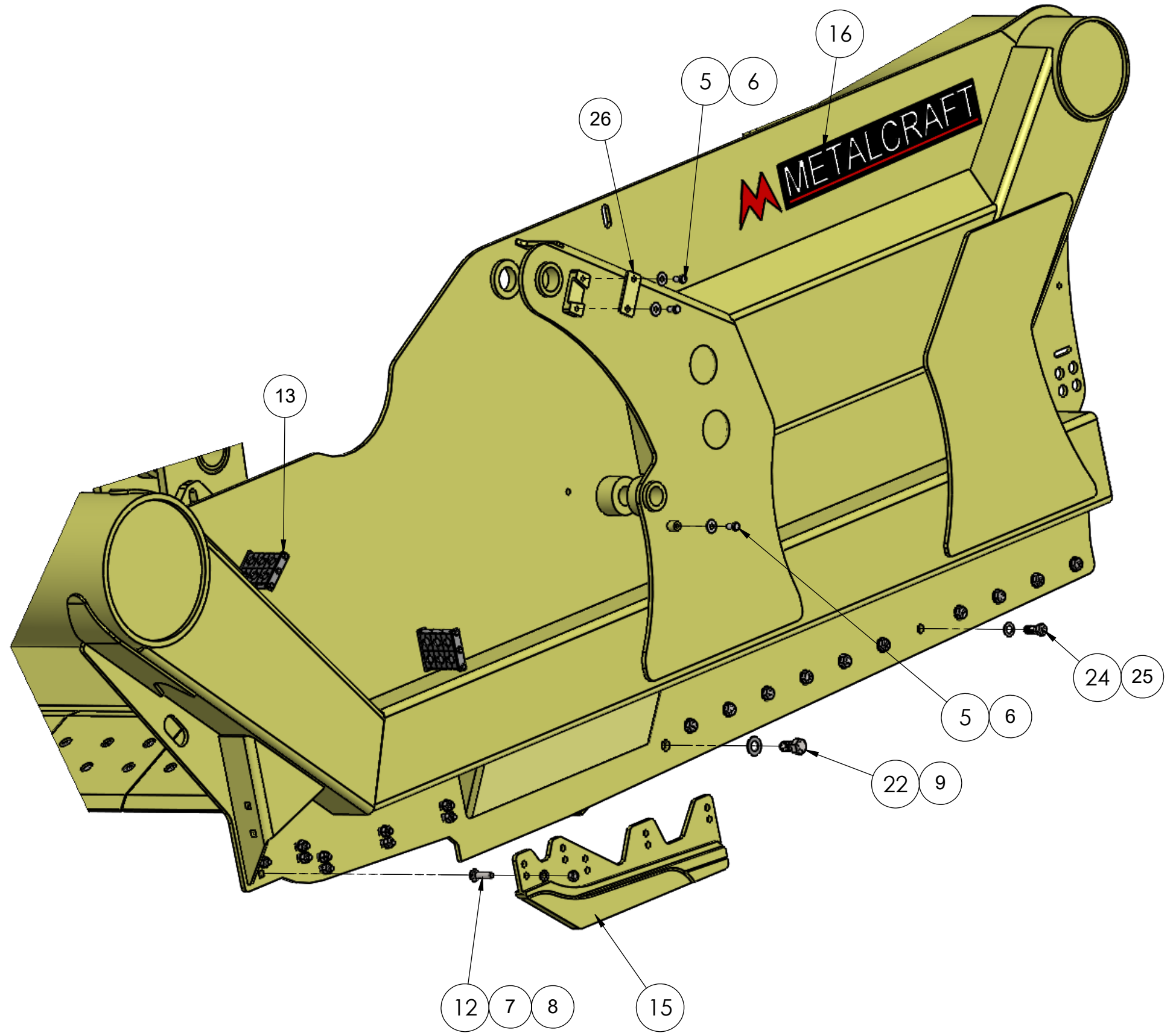
SHOWING OVERALL SCRAPER COMPONENTS.
BE SURE TO REFERENCE YOUR MODEL SPECIFIC ASSEMBLY

ITEM	QTY.	PART NUMBER	DESCRIPTION
1	1	27493	EJECTOR
2	1	27565	REAR SECTION
3	2	27573	WHEEL CARRIAGE
4	1	40496	LASER MAST
5	4	50706	TIRE AND RIM ASSEMBLY
6	1	FRONT HITCH/KNUCLE	SEE SECTION 1.01
7	1	321001014_A_X	LEFT SIDE WALL
8	1	321001015_A_Y	RIGHT SIDE WALL
9	1	321001016_A_S	REAR PIPE
10	2	321001017_A_S	REAR LIFT TRUSS
11	1	321001019_A_H	POLE/HITCHPOLE
12	1	321001024_A_F	FLOOR
13	1	321001025_A_T	TAIL
14	1	321001028_A_G-CY	APRON/GATE

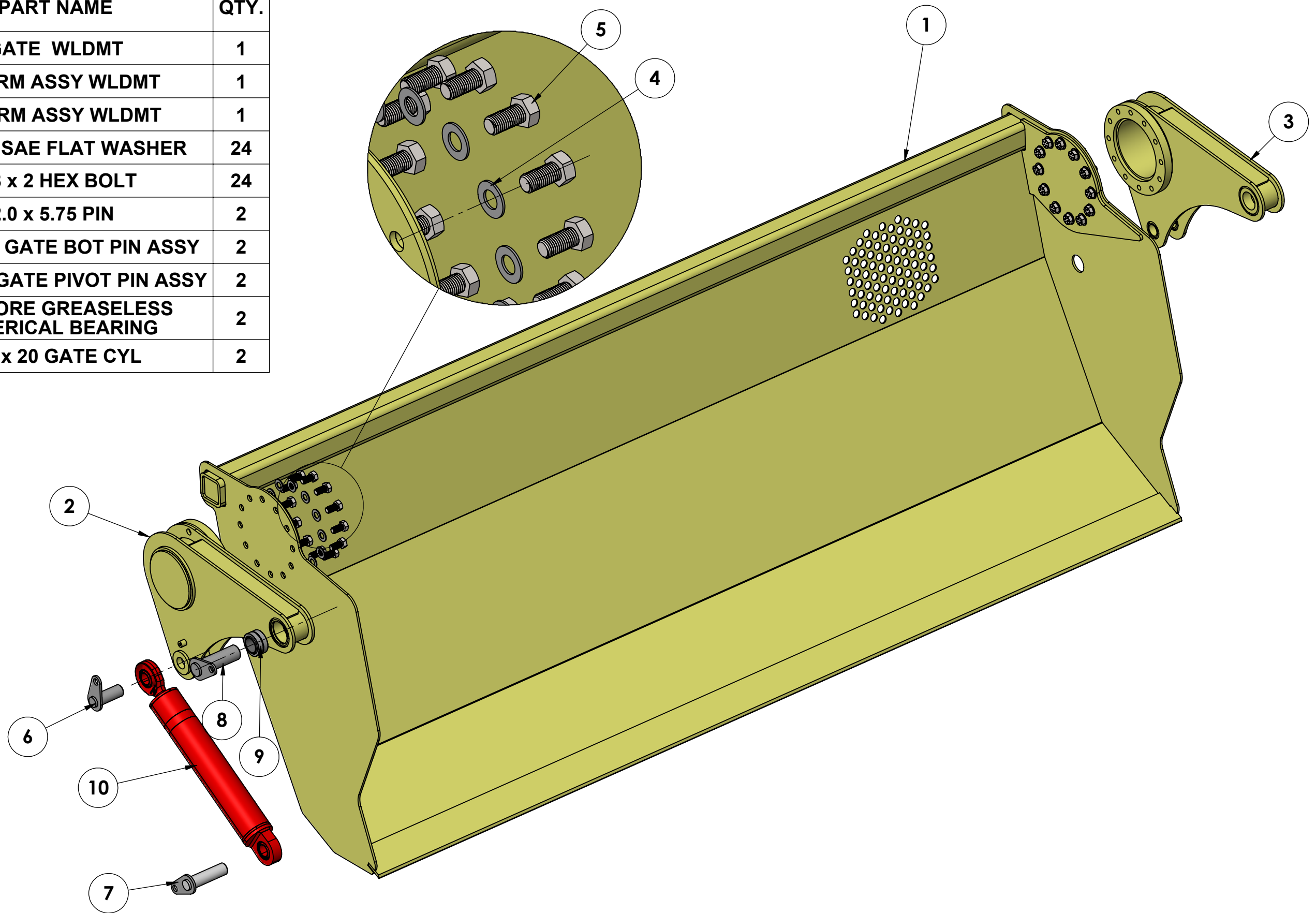
ITEM NO.	MC PART NO	PART NAME	QTY.
1	40496	BOLTED MAST-2814E	1
2	27295	MAIN FRAME WLDMT	1
4	26297	FRONT CENTER SHIELD	1
5	.50 FW	.50 GR8 FLAT WASHER	10
6	.50 x 1.5 HB	.50-13 x 1.5 GR8 HEX BOLT	5
7	.50-13 HLN	1/2"-13 NYLOCK NUT	5
8	.625 HN	.625-11 GR8 HEX NUT	32
9	.625 FW	.625 FLAT WASHER	40
12	.625-11 X 2 HB	.625-11 X 2 HEX BOLT	8
15	50644	8 HOLE CLAMP	3
16	50645	3 HOLE CLAMP	4
17	50646	1 HOLE CLAMP	2
18	40611	HOSE HANGER	1
21	40646-B	FRONT SHIELD-LH	1
29			1



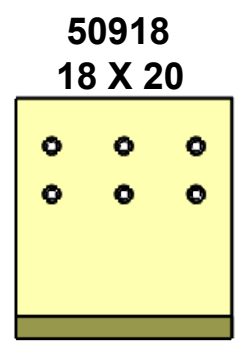
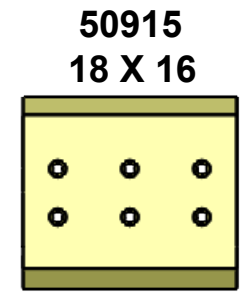
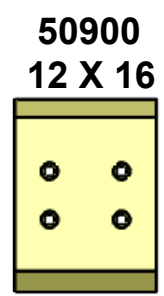
ITEM NO.	MC PART NO	PART NAME	QTY.
5	.50 FW	.50 GR8 FLAT WASHER	6
6	.50 x 1 HB	.50-13 x 1 GR8 HEX BOLT	6
7	.625 HN	.625-11 GR8 HEX NUT	32
8	.625 FW	.625 FLAT WASHER	40
9	1 x 2 HB	1-8 x 2 HEX BOLT	2
12	.625-11 X 2.5 CB	.625-11 X 2.5 CARRIAGE BOLT	24
13	50627	6 HOLE CLAMP	4
15	50905	ROUTER BIT	2
16	51005	SCRAPER LOGO	2
21	1 FW	1.0 GR8 SAE FLAT WASHER	2
23	.75 FW	.75 GR8 SAE FLAT WASHER	12
24	.75 x 2 HB	.75-10 x 2 GR8 HEX BOLT	12
25	40145	PIN HOLDER CAP	2
26			1



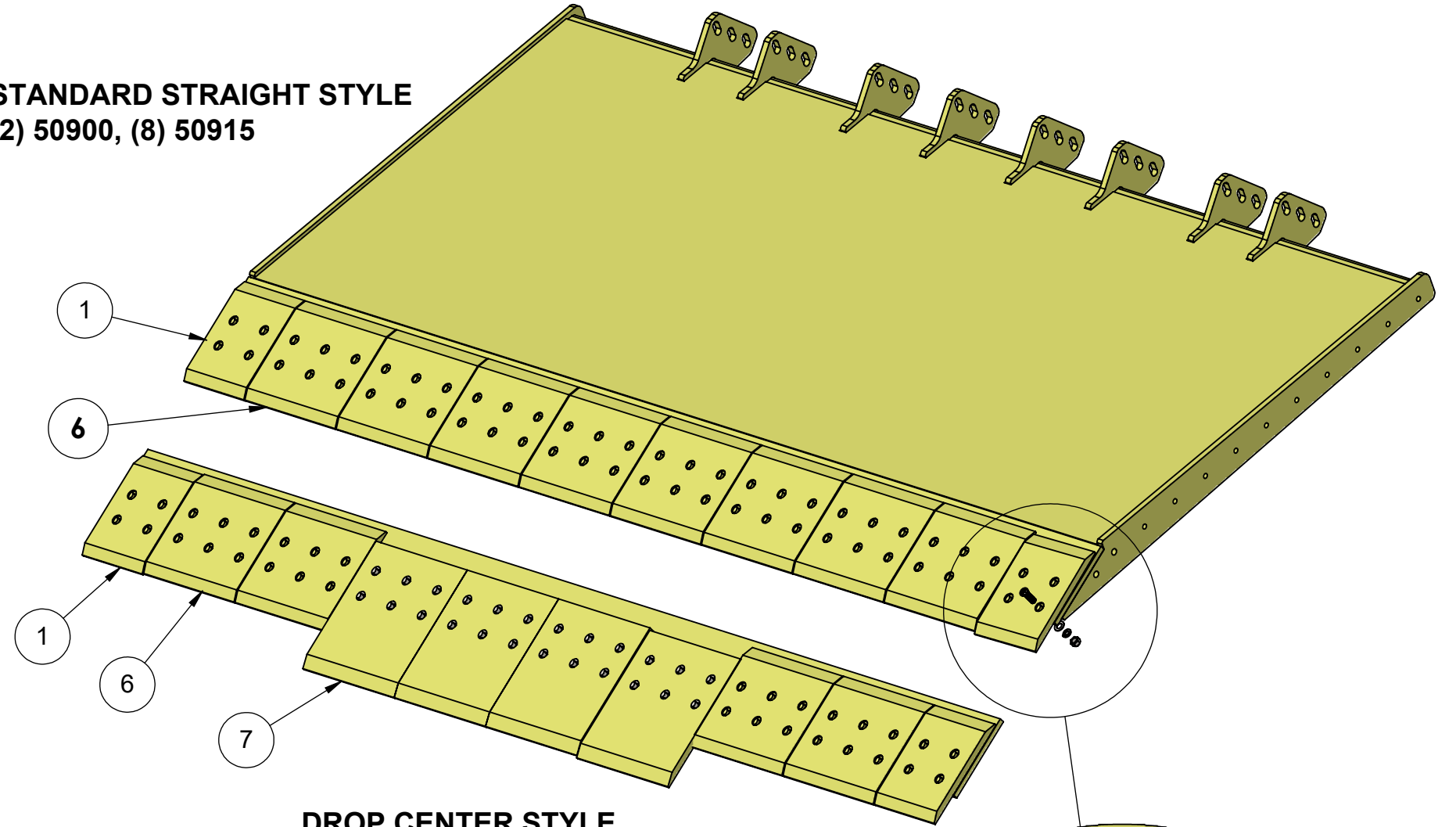
27391 GATE ASSY			
ITEM NO.	MC PART NO	PART NAME	QTY.
1	27392	GATE WLDMT	1
2	27394	LH ARM ASSY WLDMT	1
3	27393	RH ARM ASSY WLDMT	1
4	1 FW	1.0 GR8 SAE FLAT WASHER	24
5	1 x 2 HB	1-8 x 2 HEX BOLT	24
6	40101	2.0 x 5.75 PIN	2
7	40102	2.0 X 7.94 GATE BOT PIN ASSY	2
8	40105	2.5 x 8.50 GATE PIVOT PIN ASSY	2
9	50531	2.50 BORE GREASELESS SPHERICAL BEARING	2
10	50301	4.5 x 20 GATE CYL	2



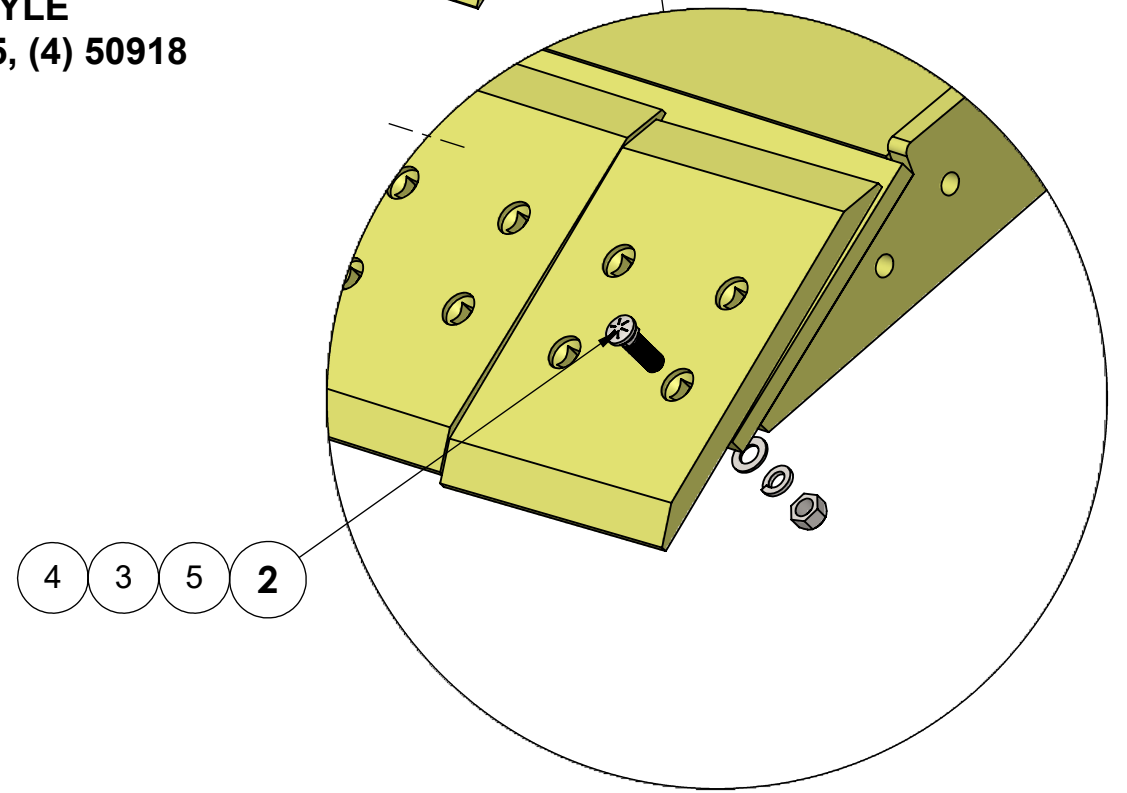
ITEM NO.	MC PART NO	PART NAME	QTY.
1	50900	12 x 16 BLADE	2
2	.75 x 2.5 PB	.75-10 x 2.5 PLOW BOLT	56
3	.75 LW	.75 GR8 LOCK WASHER	56
4	.75 HN	.75-10 GR8 HEX NUT	56 </td
5	.75 FW	.75 GR8 SAE FLAT WASHER	56
6	50915	18 x 16 BLADE	8
7	50918	18 X 20 Frostbit	4



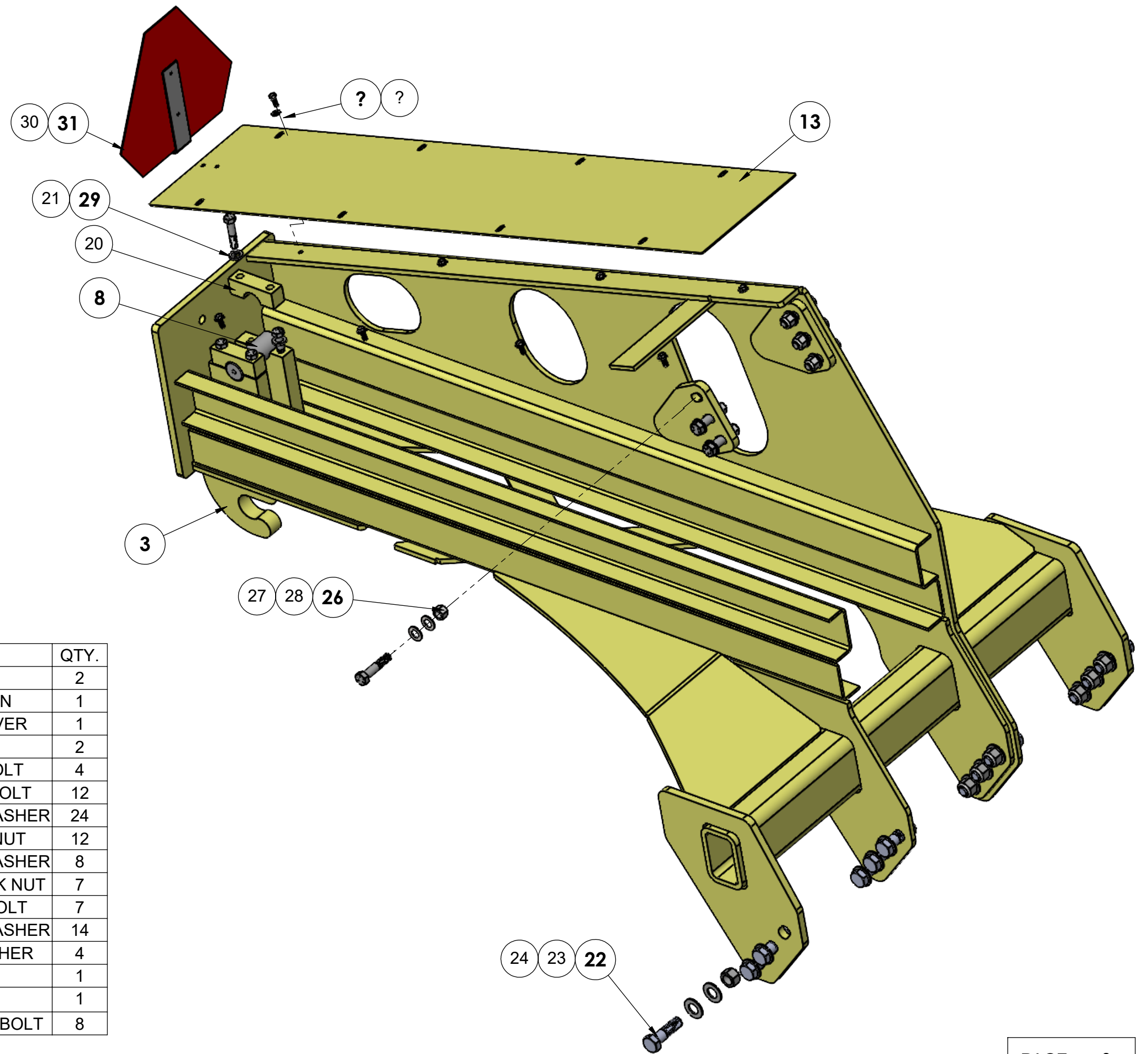
STANDARD STRAIGHT STYLE
(2) 50900, (8) 50915



DROP CENTER STYLE
(2) 50900, (4) 50915, (4) 50918

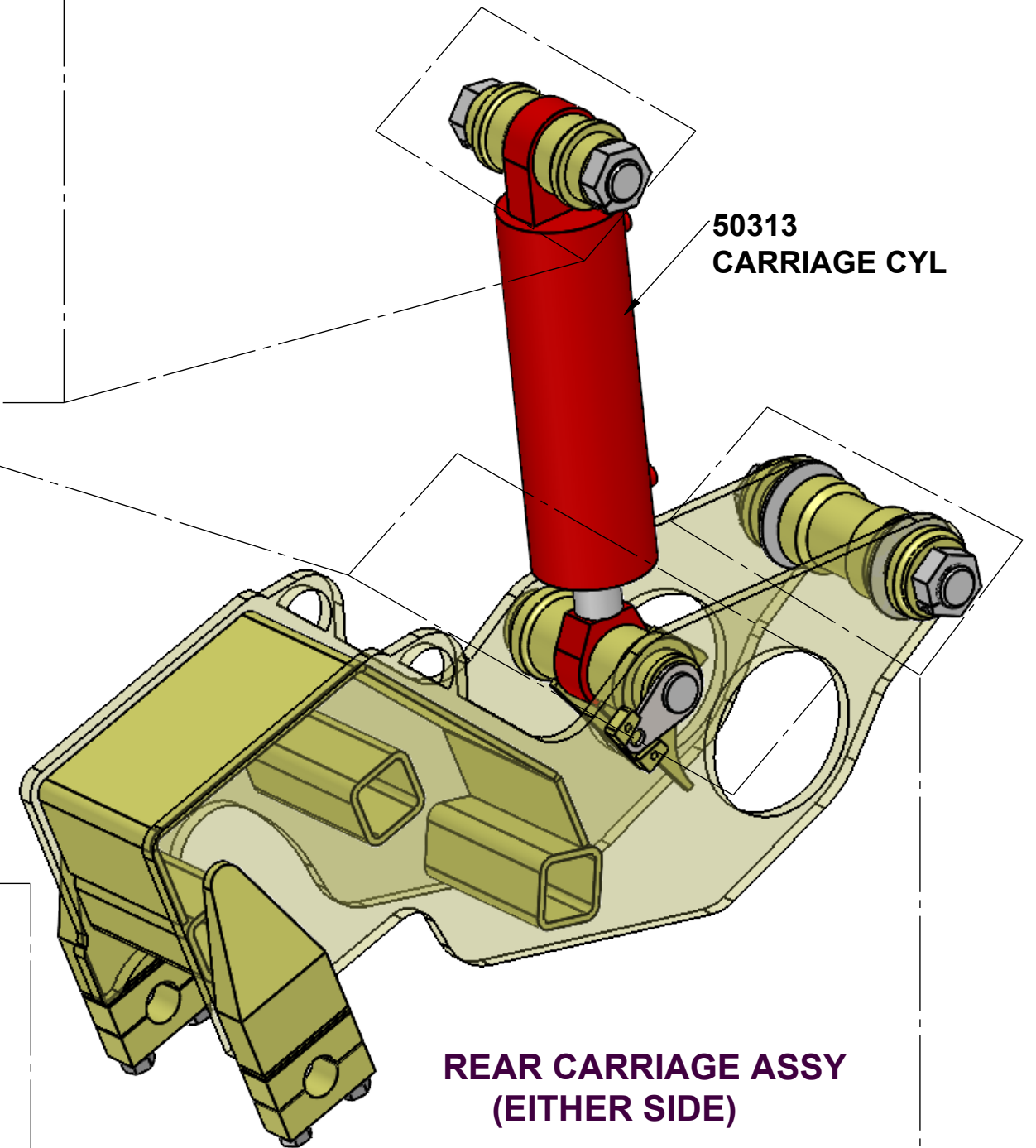
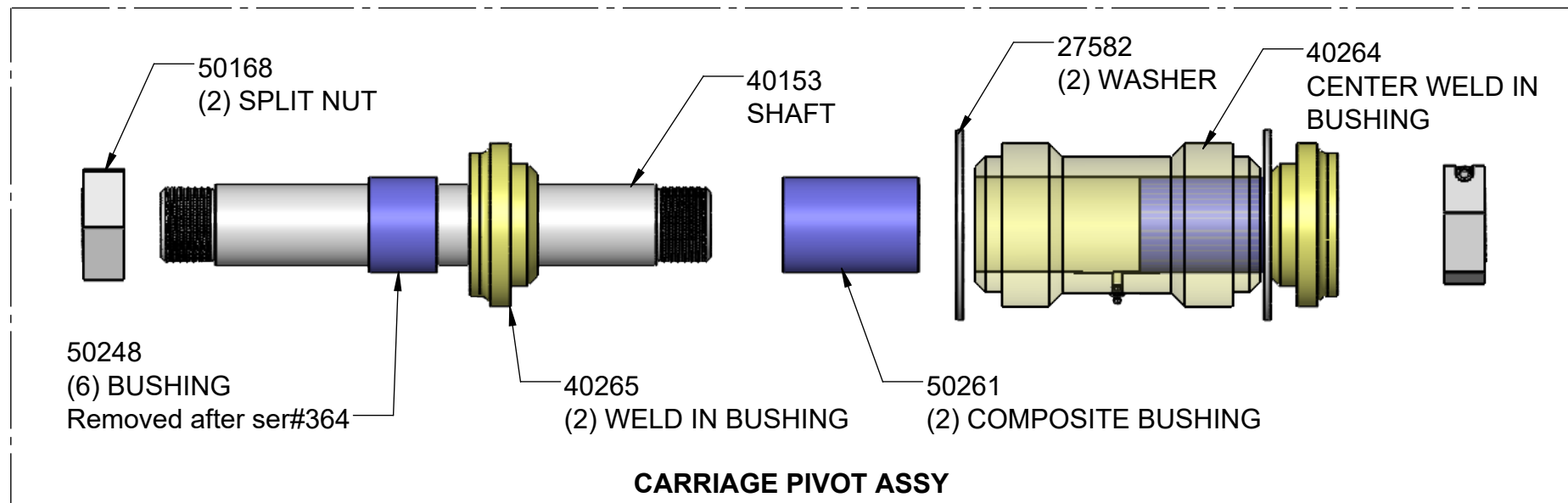
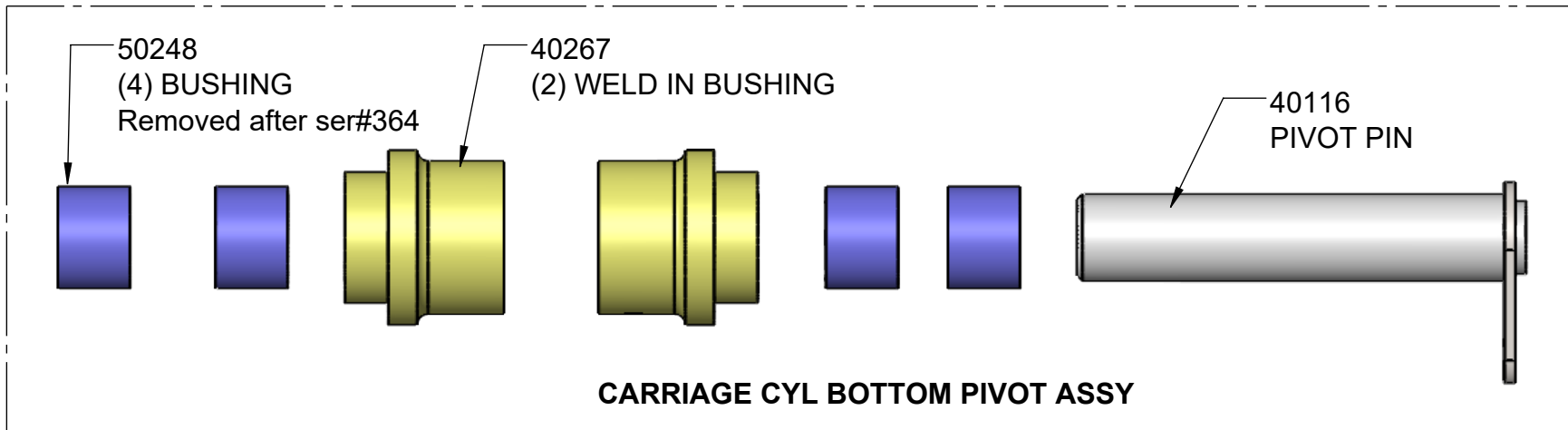
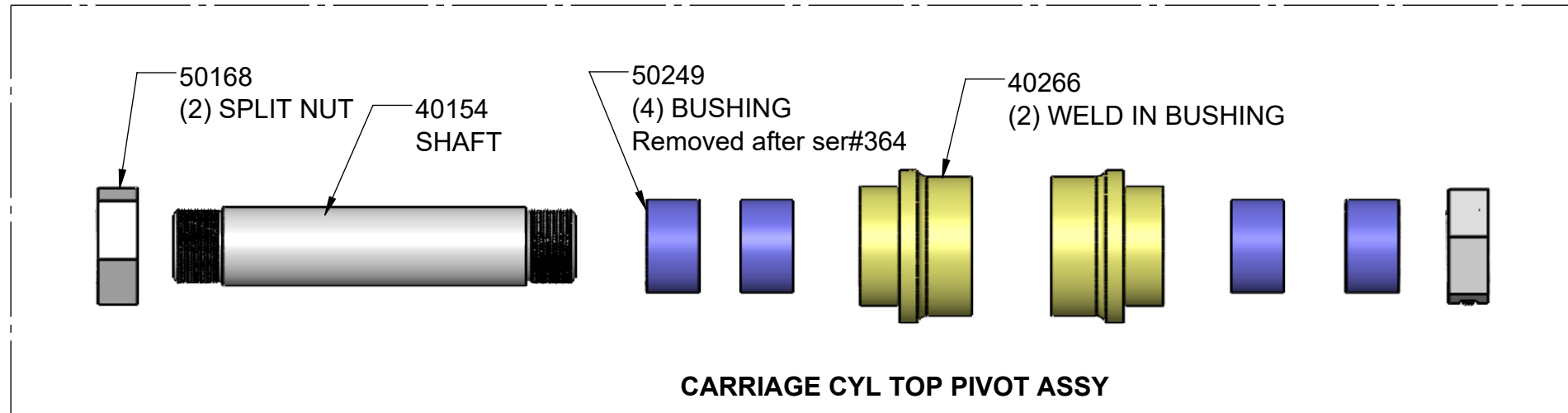


27690 FLOOR ASSEMBLY

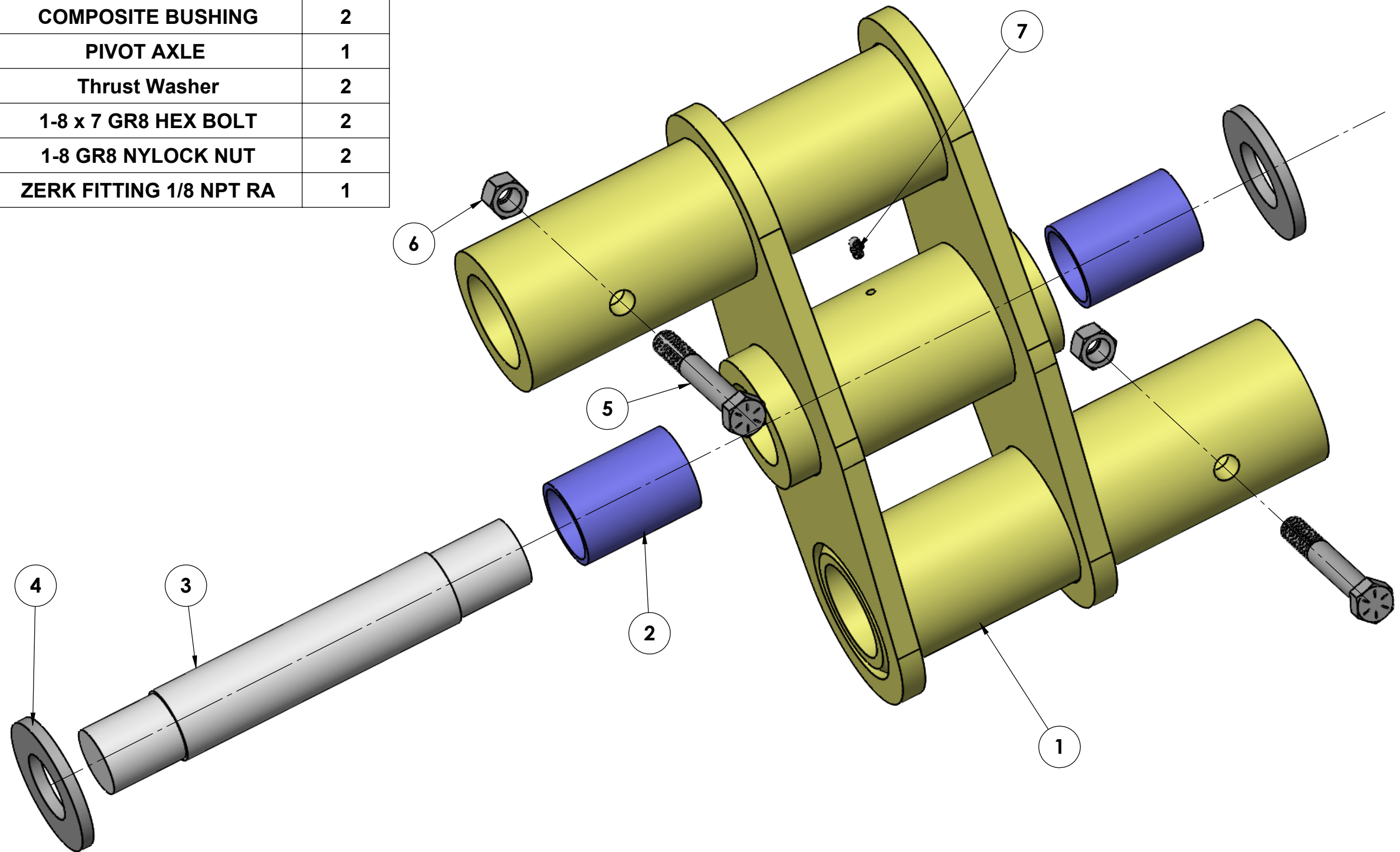


27290 EJECTOR TAIL FRAME

ITEM NO.	MC PART NO	PART NAME	QTY.
3	27243	TOW HOOK	2
8	40157	EJECTOR CYL PIN	1
13	27283	TAIL SECTION COVER	1
20	27277	CYL PIN CAP	2
21	.625 x 3 HB	.625-11 x 3 HEX BOLT	4
22	1 x 3.5 HB	1-8 x 3.5 GR8 HEX BOLT	12
23	1 FW	1.0 GR8 SAE FLAT WASHER	24
24	1HLN	1-8 GR8 NYLOCK NUT	12
25	.375 FW	3/8 GR8 SAE FLAT WASHER	8
26	.75 HLN	.75-10 GR8 HEX LOCK NUT	7
27	.75-10 X 3.5 HB	.75-10 X 3.5 HEX BOLT	7
28	.75 FW	.75 GR8 SAE FLAT WASHER	14
29	.75 LW	.75 GR8 LOCK WASHER	4
30	51506	SMV Bracket	1
31	51505	SMV Sign	1
32	.375 x 1 HB	.375-16 x 1 GR8 HEX BOLT	8

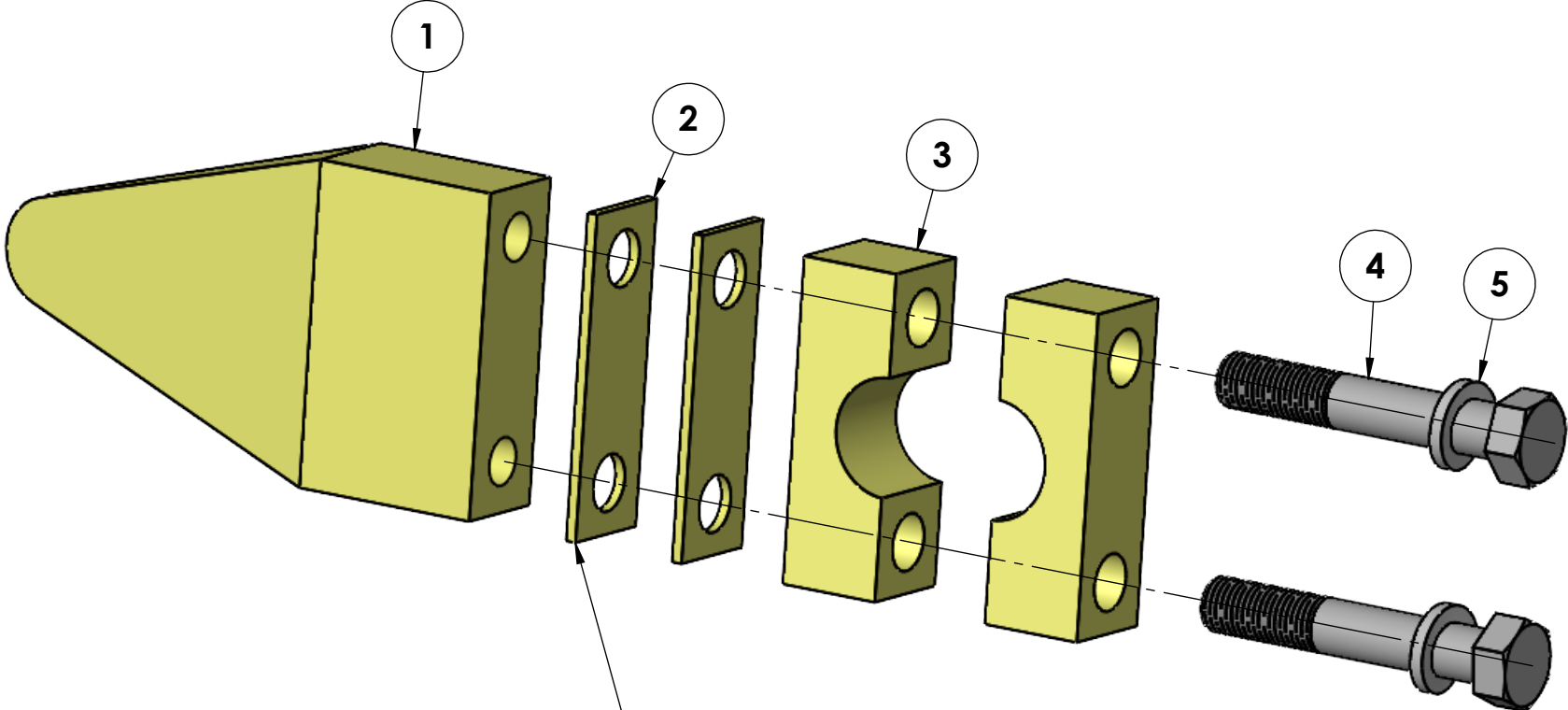


27572 OSCILLATOR ASSY			
ITEM NO.	MC PART NO	PART NAME	QTY.
1	27574	OSC WMT	1
2	50261	COMPOSITE BUSHING	2
3	27576	PIVOT AXLE	1
4	27579	Thrust Washer	2
5	1 x 7 HB	1-8 x 7 GR8 HEX BOLT	2
6	1HLN	1-8 GR8 NYLOCK NUT	2
7	50259	ZERK FITTING 1/8 NPT RA	1



OSCILLATOR ASSEMBLY

27599 SPACER CLAMP ASSY			
ITEM NO.	MC PART NO	PART NAME	QTY.
1	27550	AXLE CLAMP HD	1
2	27551	AXLE CLAMP SPACER HD	2
3	27548	AXLE CLAMP CAP HD	2
4	1.25-7 X 7 HB	1.25-7 X 7.5 HEX BOLT	2
5	1.25 LW	1.25 LOCK WASHER	2



SPACERS ARE INSERTED AS REQUIRED FOR LEVELING

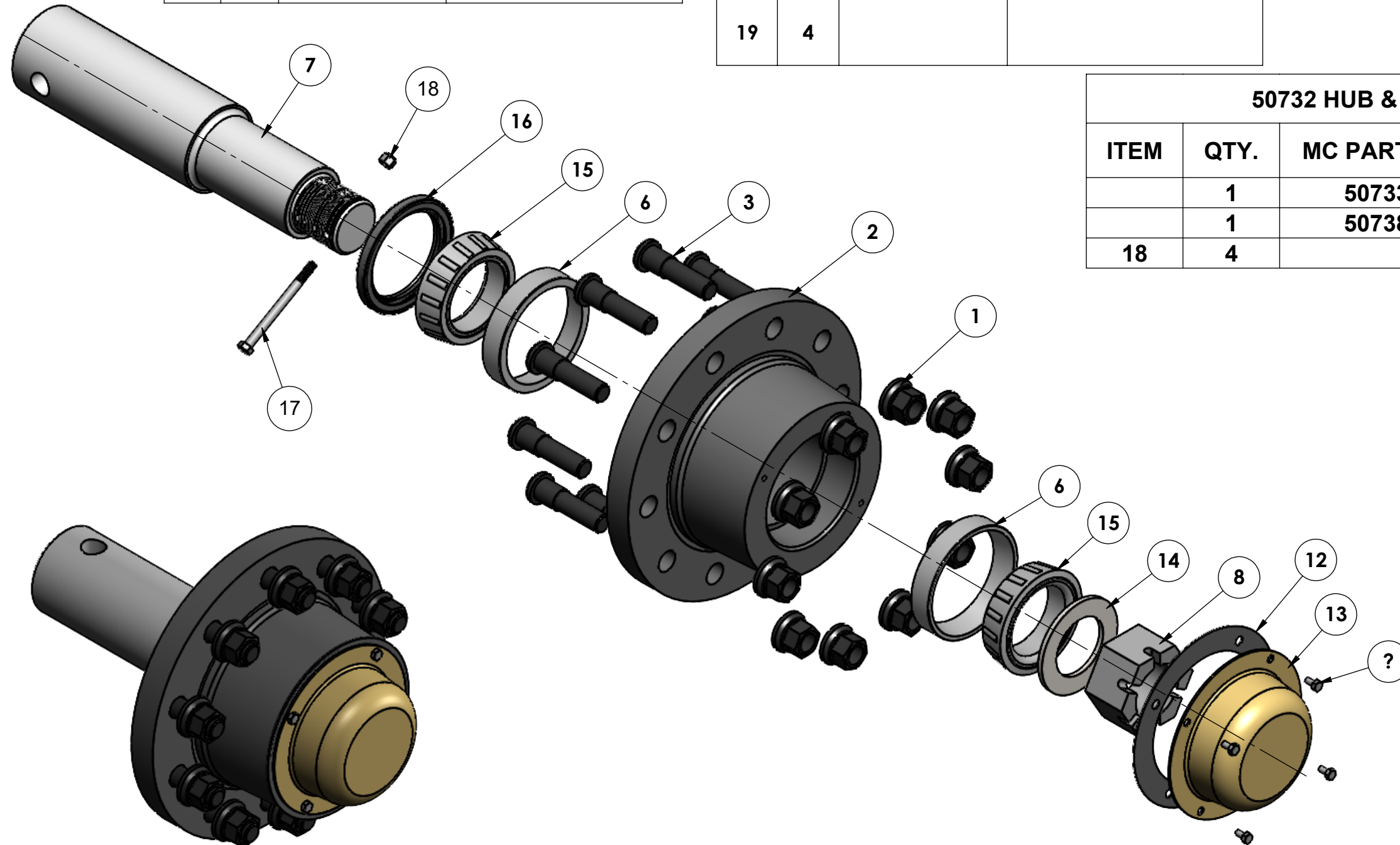
SPACER CLAMP ASSEMBLY

50738 SPINDLE ASSEMBLY COMPLETE			
ITEM NO.	QTY.	MC PART NO	PART NAME
7	1	27529	SPINDLE - G900HD
14	1	50730	FLAT WASHER
8	1	50142	2.50-12 SLOTTED NUT
17	1	.375-16 x 4.5 HB	HEX BOLT
18	1	.375 HLN	3/8" LOCK NUT
19	4		

50731 HUB ASSEMBLY (no bearings)			
ITEM NO.	QTY.	MC PART NO	PART NAME
2	1	50728	HUB CASTING
12	1	50734	GASKET
13	1	50735	HUB CAP
1	10	50736	22mm LUG NUT
5	10	50729	WHEEL STUD
6	2	50206	BEARING RACE
19	4		

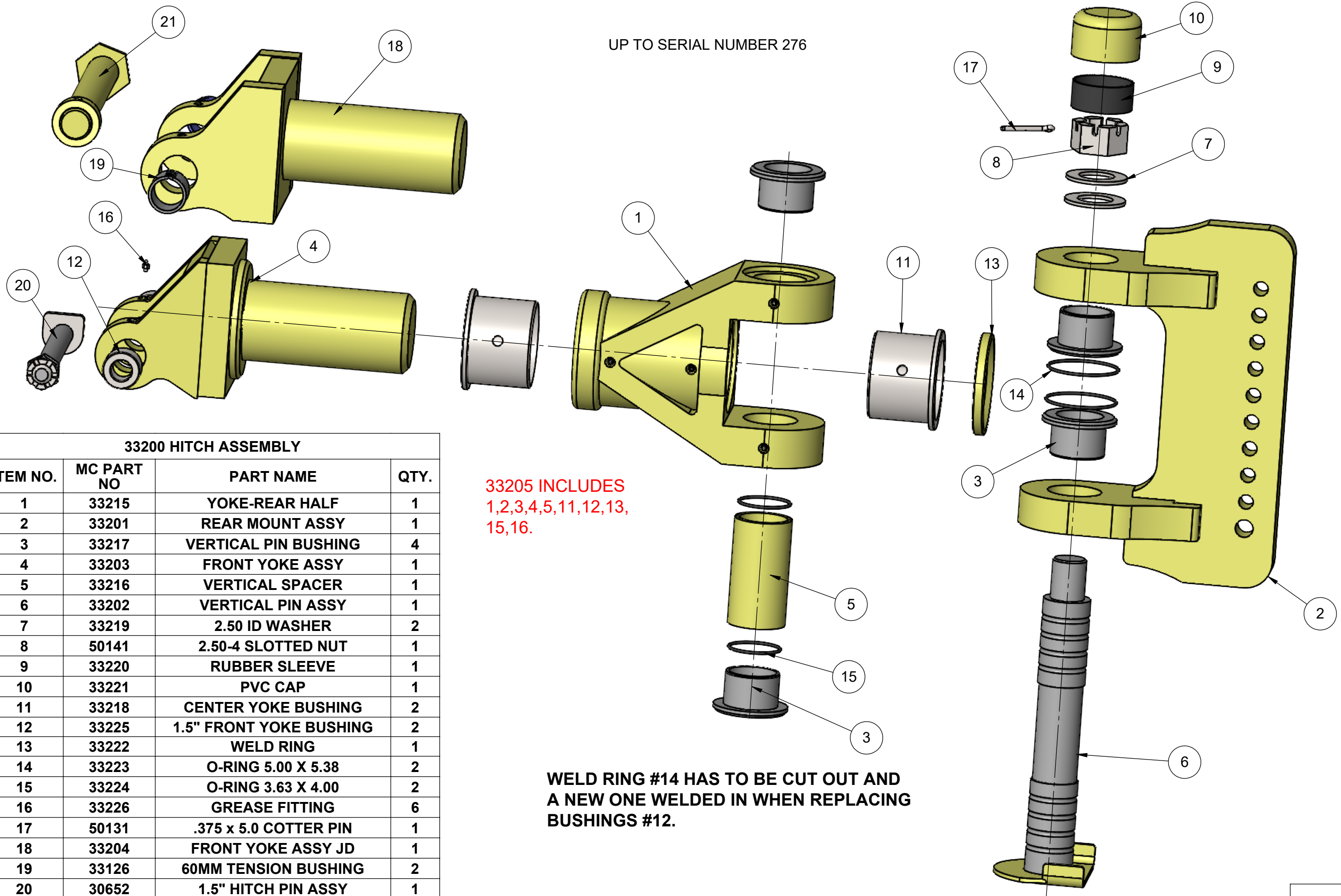
50733 HUB ASSEMBLY COMPLETE			
ITEM NO.	QTY.	MC PART NO	PART NAME
	1	50731	HUB ASSEMBLY
15	2	50204	BEARING
16	1	50223	HUB SEAL
21	4		

50732 HUB & SPINDLE ASSEMBLY			
ITEM	QTY.	MC PART NO	PART NAME
	1	50733	HUB ASSY COMPLETE
	1	50738	SPINDLE ASSY COMPLETE
18	4		



50732 HUB ASSEMBLY

UP TO SERIAL NUMBER 276



33205 INCLUDES
1,2,3,4,5,11,12,13,
15,16.

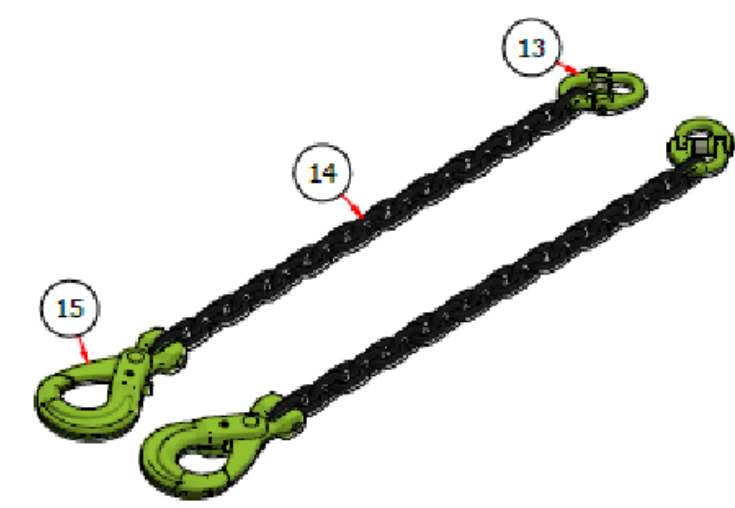
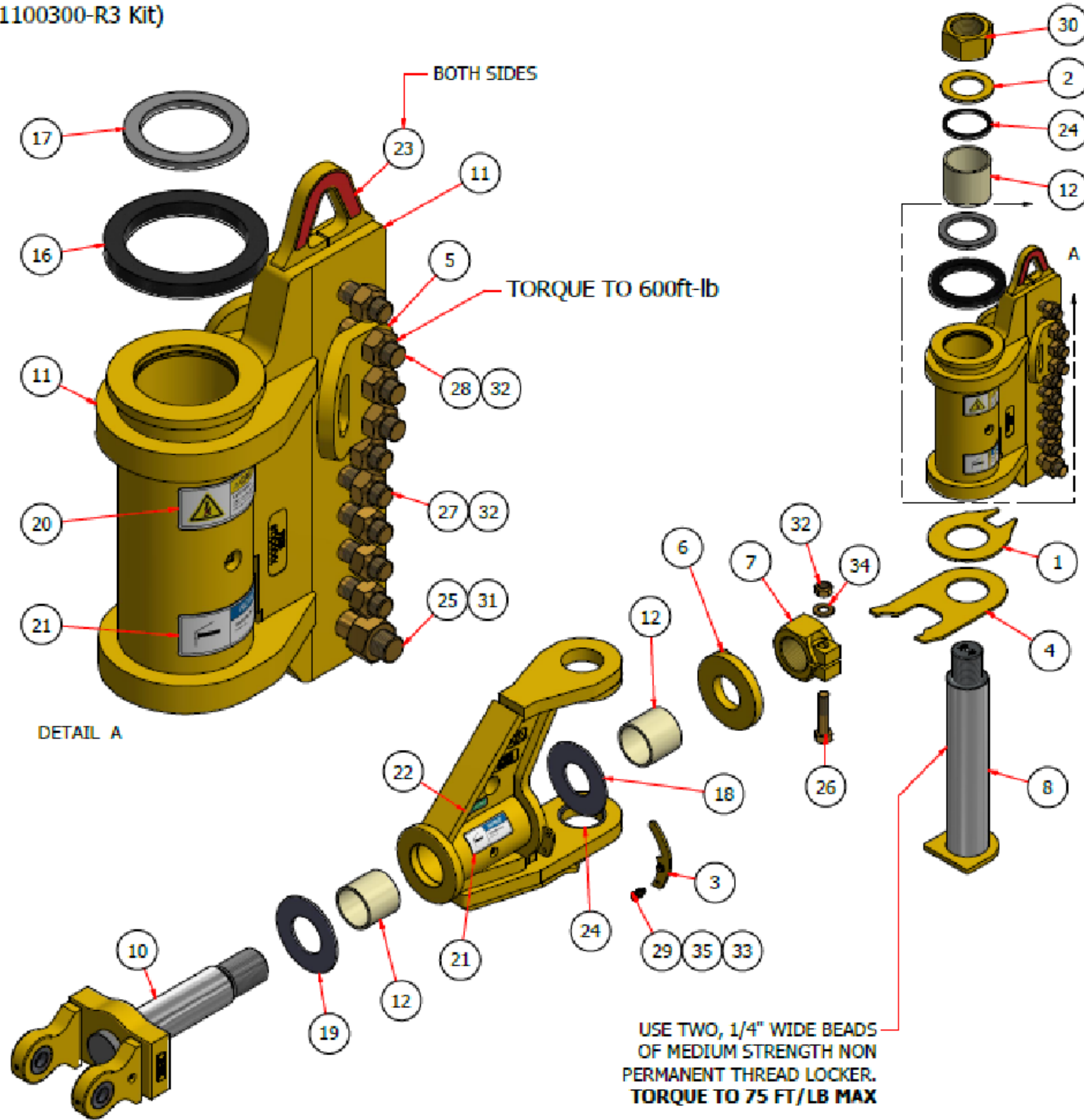
WELD RING #14 HAS TO BE CUT OUT AND
A NEW ONE WELDED IN WHEN REPLACING
BUSHINGS #12.

33200 HITCH ASSEMBLY			
ITEM NO.	MC PART NO	PART NAME	QTY.
1	33215	YOKE-REAR HALF	1
2	33201	REAR MOUNT ASSY	1
3	33217	VERTICAL PIN BUSHING	4
4	33203	FRONT YOKE ASSY	1
5	33216	VERTICAL SPACER	1
6	33202	VERTICAL PIN ASSY	1
7	33219	2.50 ID WASHER	2
8	50141	2.50-4 SLOTTED NUT	1
9	33220	RUBBER SLEEVE	1
10	33221	PVC CAP	1
11	33218	CENTER YOKE BUSHING	2
12	33225	1.5" FRONT YOKE BUSHING	2
13	33222	WELD RING	1
14	33223	O-RING 5.00 X 5.38	2
15	33224	O-RING 3.63 X 4.00	2
16	33226	GREASE FITTING	6
17	50131	.375 x 5.0 COTTER PIN	1
18	33204	FRONT YOKE ASSY JD	1
19	33126	60MM TENSION BUSHING	2
20	30652	1.5" HITCH PIN ASSY	1
21	30627	60mm Pull Pin Assy	1

SECTION 1.01

STRUCTURAL

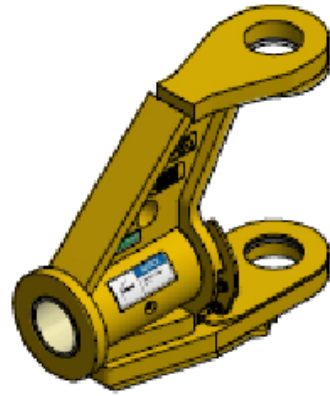
METALCRAFT SCRAPER HITCH
(301100300-R3 Kit)



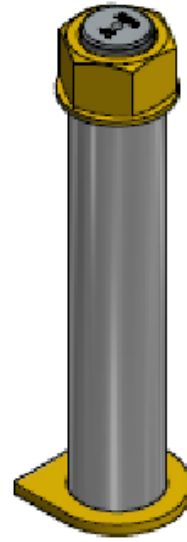
SCRAPER HITCH COMPONENTS

ITEM	QTY	PART NUMBER	REV	DESCRIPTION
1	1	101000106_cm_K	1	Grease_Thrust_Washer_Vertical .pin
2	1	101001956_c_K-CY	0	Washer_knuckle_vert.pin
3	2	101009913_c_K-CY	0	Knuckle_Chain Keeper
4	1	101009914_cb_K-CY	0	Knuckle_Thrust Washer
5	2	101010052_cvb_H-CY	2	Knuckle_Safety Chain Ear
6	1	301000053_w_K-CY	0	Washer 3 1/2" Squeeze Nut
7	1	301000054_wms_K-CY	2	Thrust Nut (Knuckle)
8	1	301002676_w_K-CY	1	Pin Vertical_4" (PG shaft induction hardend)
9	1	301002711_wm_K-CY	8	Knuckle_Sub-weldment
10	1	301003258_w_K-CY	4	Yoke_Ashland UNC
11	1	301003535_wm_K-CY	0	Metalcraft Vertical Bushing
12	4	404000009	0	Comp Bushing_4.00" ID x 4.50" OD x 4.00"
13	2	405500014	0	5/8" Grade 100 Coupling Link
14	2	405500032	0	Chain Grade 100 5/8" 21 Links
15	2	405500039	0	5/8" Grade 100 Clevis Self-Locking Hook
16	1	409000021	0	Seal .75"-7.25" OD-5.50" ID
17	1	409000022	0	Seal .375"-5.50" OD-4.06" ID
18	1	409000034	0	Thrust Washer .25"-7.75" OD - 3.50" ID
19	1	409000100	1	Thrust Washer 0.250" x 8.00" OD x 4.063" ID
20	1	411000041	2	Decal - Caution Lift Point
21	2	411000046	2	Decal - Notice Grease Daily
22	1	411000102	1	Decal - Safety Tie Down
23	2	411000206	0	Decal - Lift Hook Highlight, Knuckle
24	2	422000003	0	Seal 4" Pin
25	1	BLT8C_1_1-4x6	0	Bolt Gr. 8 UNC 1-1/4" x 6"
26	1	BLT8C_1x4_1-2	0	Bolt Gr. 8 UNC 1" x 4-1/2"
27	6	BLT8C_1x5_1-2	0	Bolt Gr. 8 UNC 1" x 5-1/2"
28	3	BLT8C_1x7	0	Bolt Gr. 8 UNC 1" x 7"
29	4	BLT8C_3-8x1_1-4	0	Bolt Gr. 8 UNC 3/8" x 1-1/4"
30	1	NUT2C_3_m_N-CY	0	Nut Gr. 2 UNC 3" Machined and Painted
31	1	NUT8C_1_1-4	0	Nut Gr. 8 UNC 1-1/4"
32	10	NUT8C_1_STL	0	Nut Gr. 8 UNC 1" Stover Lock
33	4	NUT8C_3-8_STL	0	Nut Gr. 8 UNC 3/8" Stover Lock
34	1	WSH8_1_STR	0	Washer Gr. 8 - 1" Structural
35	8	WSH8_3-8_STR	0	Washer Gr. 8 - 3/8" Structural

SECTION 1.01 KITS

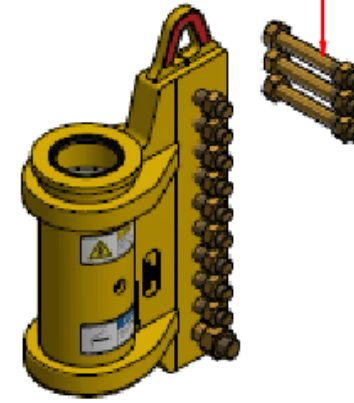


301100100-R3 Kit	
QTY	DESCRIPTION
4	Bolt Gr. 8 UNC 3/8" x 1-1/4"
2	Comp Bushing 4.00" ID x 4.50" OD x 4.00"
1	Decal - Notice Grease Daily
1	Decal - Safety Tie Down
2	Knuckle, Chain Keeper
1	Knuckle, Sub-weldment
1	Knuckle, Thrust Washer
4	Nut Gr. 8 UNC 3/8" Stover Lock
1	Seal .375"- 5.50" OD- 4.06" ID
1	Seal .75"-7.25" OD-5.50" ID
1	Seal 4" Pin
8	Washer Gr. 8 - 3/8" Structural

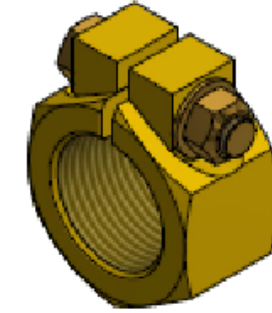


301100103 Kit	
QTY	DESCRIPTION
1	Nut Gr. 2 UNC 3" Machined and Painted
1	Pin Vertical_4" (PG shaft induction hardend)
1	Washer_knuckle_vert.pin

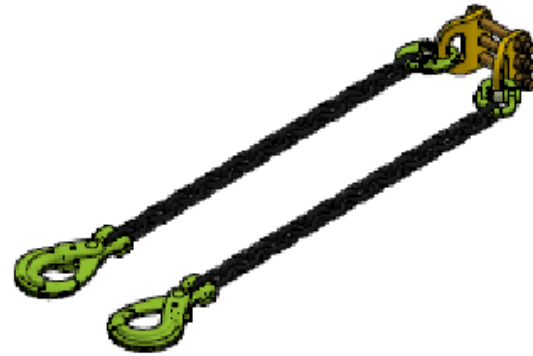
IF YOU HAVE SAFETY CHAINS,
USE LONGER INCLUDED BOLTS.



301100308 Kit	
QTY	DESCRIPTION
9	Bolt Gr. 8 UNC 1" x 5-1/2"
3	Bolt Gr. 8 UNC 1" x 7"
1	Bolt Gr. 8 UNC 1-1/4" x 6"
2	Comp Bushing 4.00" ID x 4.50" OD x 4.00"
1	Decal - Caution Lift Point
2	Decal - Lift Hook Highlight, Knuckle
1	Decal - Notice Grease Daily
1	Grease_Thrust_Washer_Vertical .pin
1	Metalcraft Vertical Bushing
12	Nut Gr. 8 UNC 1" Stover Lock
1	Nut Gr. 8 UNC 1-1/4"
1	Seal 4" Pin



301100248 Kit	
QTY	DESCRIPTION
1	Bolt Gr. 8 UNC 1" x 4-1/2"
1	Nut Gr. 8 UNC 1" Stover Lock
1	Thrust Nut (Knuckle)
1	Washer Gr. 8 - 1" Structural



21 LINK SAFETY CHAINS

301100268 Kit	
QTY	DESCRIPTION
2	5/8" Grade 100 Clevis Self-Locking Hook
2	5/8" Grade 100 Coupling Link
3	Bolt Gr. 8 UNC 1" x 7"
2	Chain Grade 100 5/8" 21 Links
2	Knuckle_Safety Chain Ear
3	Nut Gr. 8 UNC 1" Stover Lock

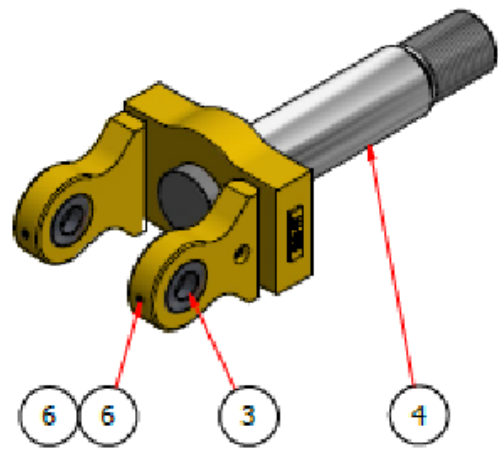


24 LINK SAFETY CHAINS

301100260 Kit	
QTY	DESCRIPTION
2	5/8" Grade 100 Clevis Self-Locking Hook
2	5/8" Grade 100 Coupling Link
3	Bolt Gr. 8 UNC 1" x 7"
2	Chain Grade 100 5/8" 24 Links
2	Knuckle_Safety Chain Ear
3	Nut Gr. 8 UNC 1" Stover Lock

SECTION 1.01 KITS

1.5" ASHLAND

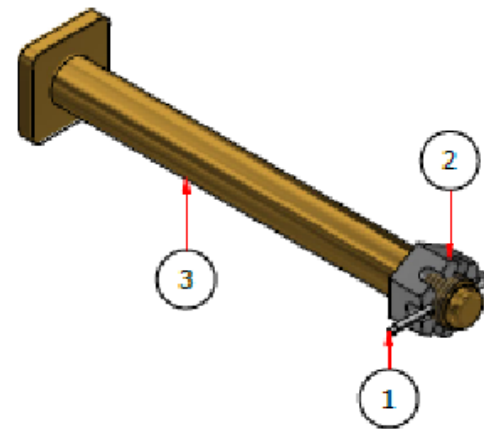


Pin Not Included, Sold Separately

301003258-R4

ITEM	QTY	PART NUMBER	REV	DESCRIPTION
4	1	201004500_sm_K	4	Shaft for AI Spaced K-Tec Yoke
3	2	211000217_smh_K	0	Yoke, Bushing 1.5" ID 3" OD
6	4	405000121	0	SSS CN 1/2-13 UNC x 5/8"

1.5" ASHLAND PIN



3

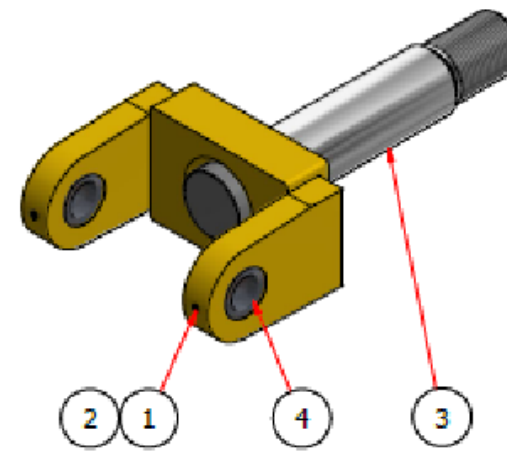
2

1

311100010 Kit

ITEM	QTY	PART NUMBER	REV	DESCRIPTION
1	1	405000002	0	Cotter Pin 1/4" x 3"
2	1	NUT5C_1_1-2_CSTL	0	Nut Gr. 5 UNF 1-1/2" Castle
3	1	311000171_w_PIN	0	PIN ASSY, HITCH 4-EAR

2" K-TEC



2

1

4

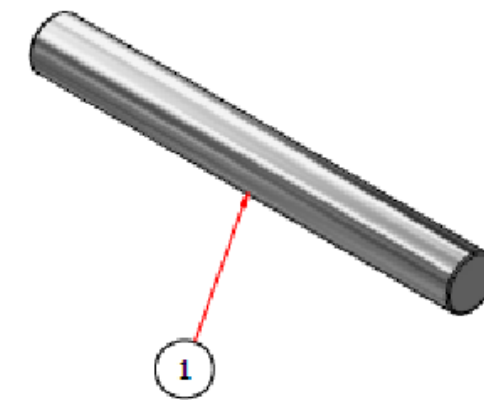
3

Pin Not Included, Sold Separately

301004500-R3

ITEM	QTY	PART NUMBER	REV	DESCRIPTION
1	2	405000121	0	SSS CN 1/2-13 UNC x 5/8"
2	2	405000122	0	SetScrew 1/2-13 UNC x 3/4" L
3	1	201004500_sm_K	4	Shaft, knuckle longitudinal
4	2	201004041_smh_K	0	Yoke, K-Tec Bushing

2" K-TEC PIN
(ONLY USED WITH K-TEC DRAWBARS)

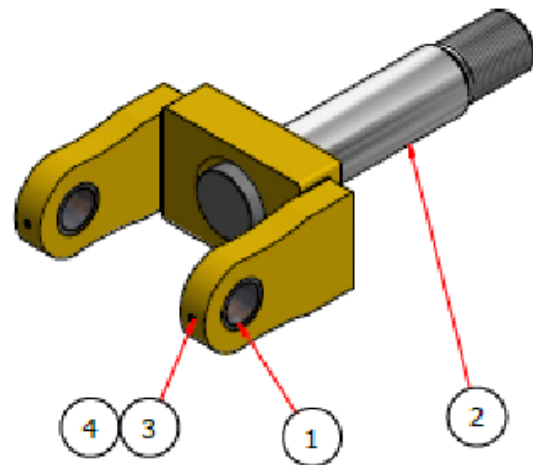


1

205001668-R1

ITEM	QTY	PART NUMBER	REV	DESCRIPTION
1	1	205001668_s	1	Pin K-Tec Yoke 2" x 17.25"

60mm JD

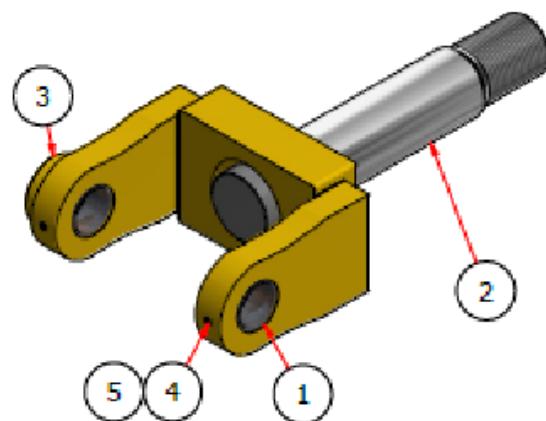


Pin Not Included, Supplied By Customer

301003261-R4

ITEM	QTY	PART NUMBER	REV	DESCRIPTION
15	2	101011400_cm_K	0	Ear, knuckle yoke
1	2	201001950_smh3K	2	Yoke, JD 60mm Bushings
2	1	201004500_sm_K	4	Shaft, knuckle longitudinal
3	2	405000121	0	SSS CN 1/2-13 UNC x 5/8"
4	2	405000122	0	SetScrew 1/2-13 UNC x 3/4" L

65mm JD

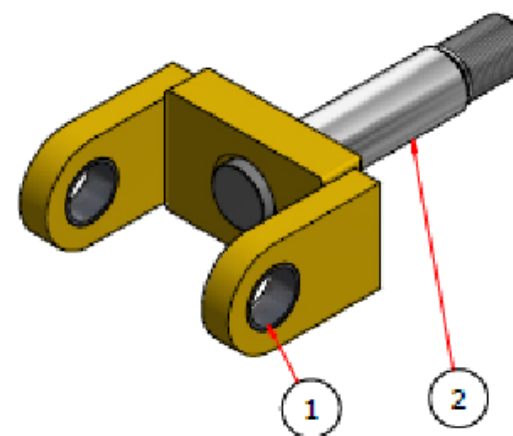


Pin Not Included, Supplied By Customer

301100249-R3 Kit (301003260 Yoke)

ITEM	QTY	PART NUMBER	REV	DESCRIPTION
1	2	201001939_smh3K	2	Yoke, JD 65mm Bushings
2	1	201004500_sm_K	4	Shaft, knuckle longitudinal
3	1	205050002_sm-CY	1	J.D 65mm pin spacer
4	2	405000121	0	SSS CN 1/2-13 UNC x 5/8"
5	2	405000122	0	SetScrew 1/2-13 UNC x 3/4" L

3.5" MTS/EJECT



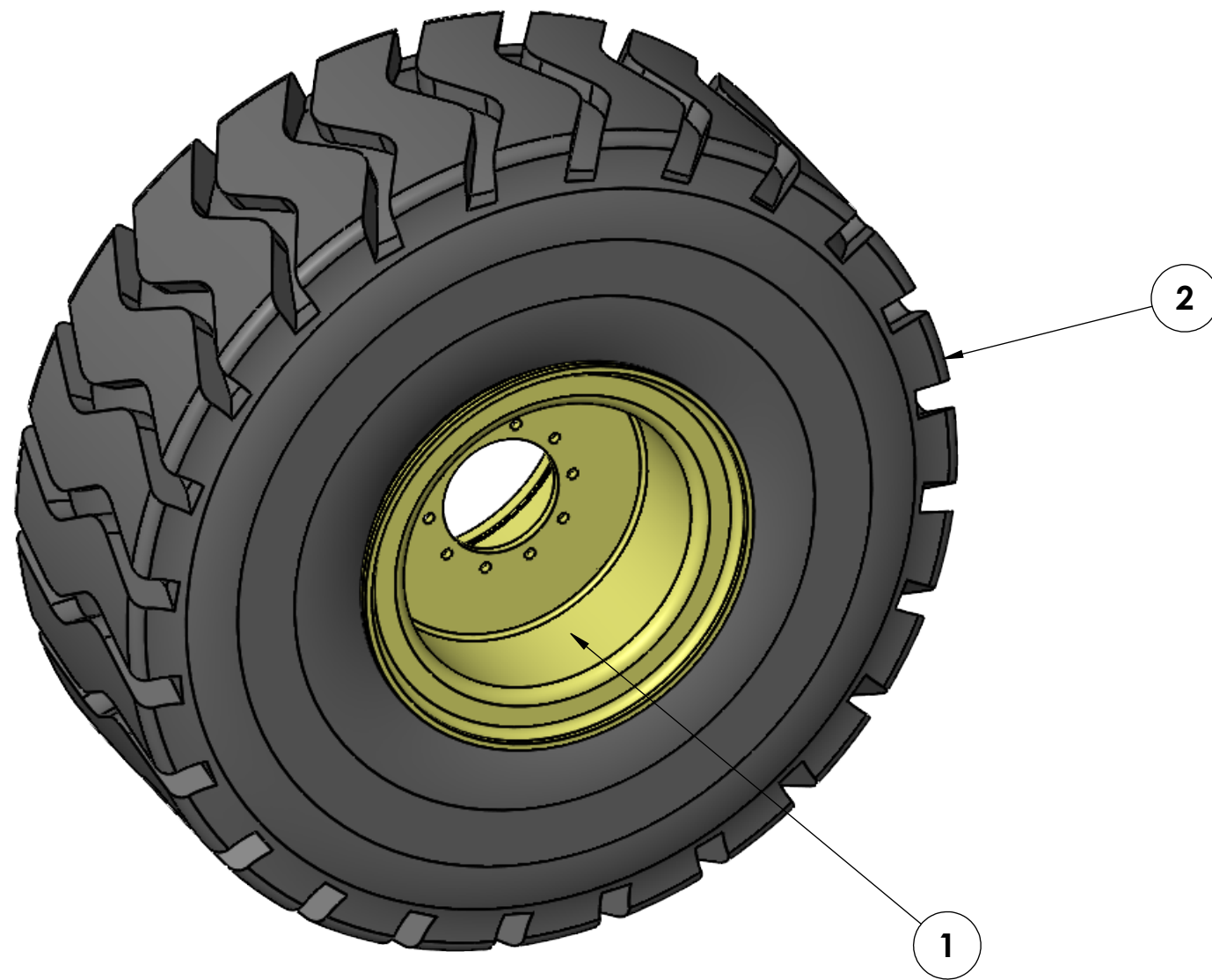
1

2

Pin Not Included, Supplied By Customer

301003259-R2

ITEM	QTY	PART NUMBER	REV	DESCRIPTION
1	2	201002114_smh_K	1	HT Wear Bushing Eject Yoke
2	1	201004500_sm_K	4	Shaft, knuckle longitudinal



ITEM	QTY.	MC PART NO	PART NAME
1	1	50708	RIM ASSY
2	1	50705	23.5 x 25 TIRE
3	1	50707	26.5 X 25 TIRE (OPTIONAL)

TIRE & RIM ASSEMBLY

CYLINDER WITH SPLIT BUSHING ENDS
USED ON MACHINES UP TO SERIAL #301.



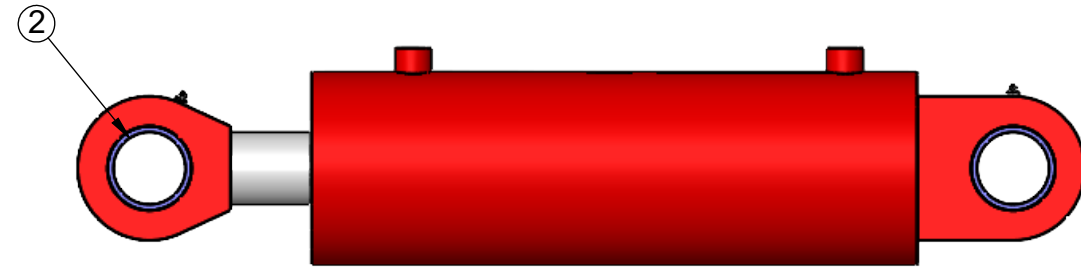
50301 GATE CYLINDER			
ITEM	PART NAME	PART NUMBER	QTY
1	SEAL KIT *	SK-01835	1
2	SPLIT BUSHING	40200	2

CYLINDER WITH SPHERICAL ENDS USED
ON MACHINES WITH SERIAL #302 ON UP.

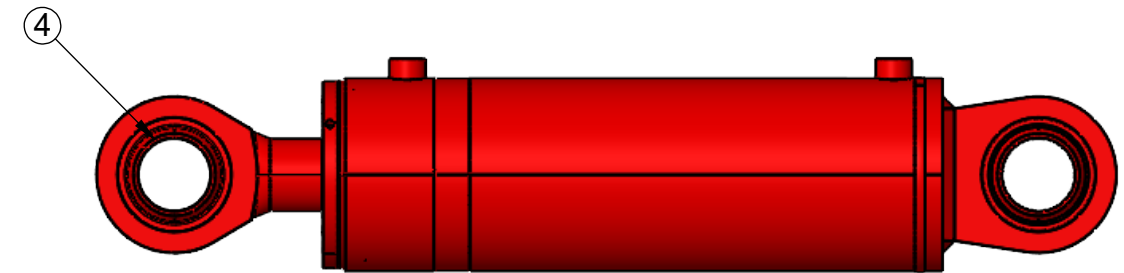


50301 GATE CYLINDER			
ITEM	PART NAME	PART NUMBER	QTY
3	SEAL KIT	432803	1
4	SPHERICAL BEARING	50533	2

CYLINDER WITH SPLIT BUSHING ENDS
USED ON MACHINES UP TO SERIAL #292.



CYLINDER WITH SPHERICAL ENDS USED
ON MACHINES WITH SERIAL #293 ON UP.



SERIAL NUMBER 00293MCSC - UP

50313 WHEEL CYLINDER			
ITEM	PART NAME	7 B x 17 S W / 3.00 ROD	QTY
1	SEAL KIT *	SK-01833	1
2	SPRING TENSION BUSHING	50248	2

50313 WHEEL CYLINDER			
ITEM	PART NAME	PART NUMBER	QTY
3	SEAL KIT	432796P	1
4	SPHERICAL BEARING	50532	2

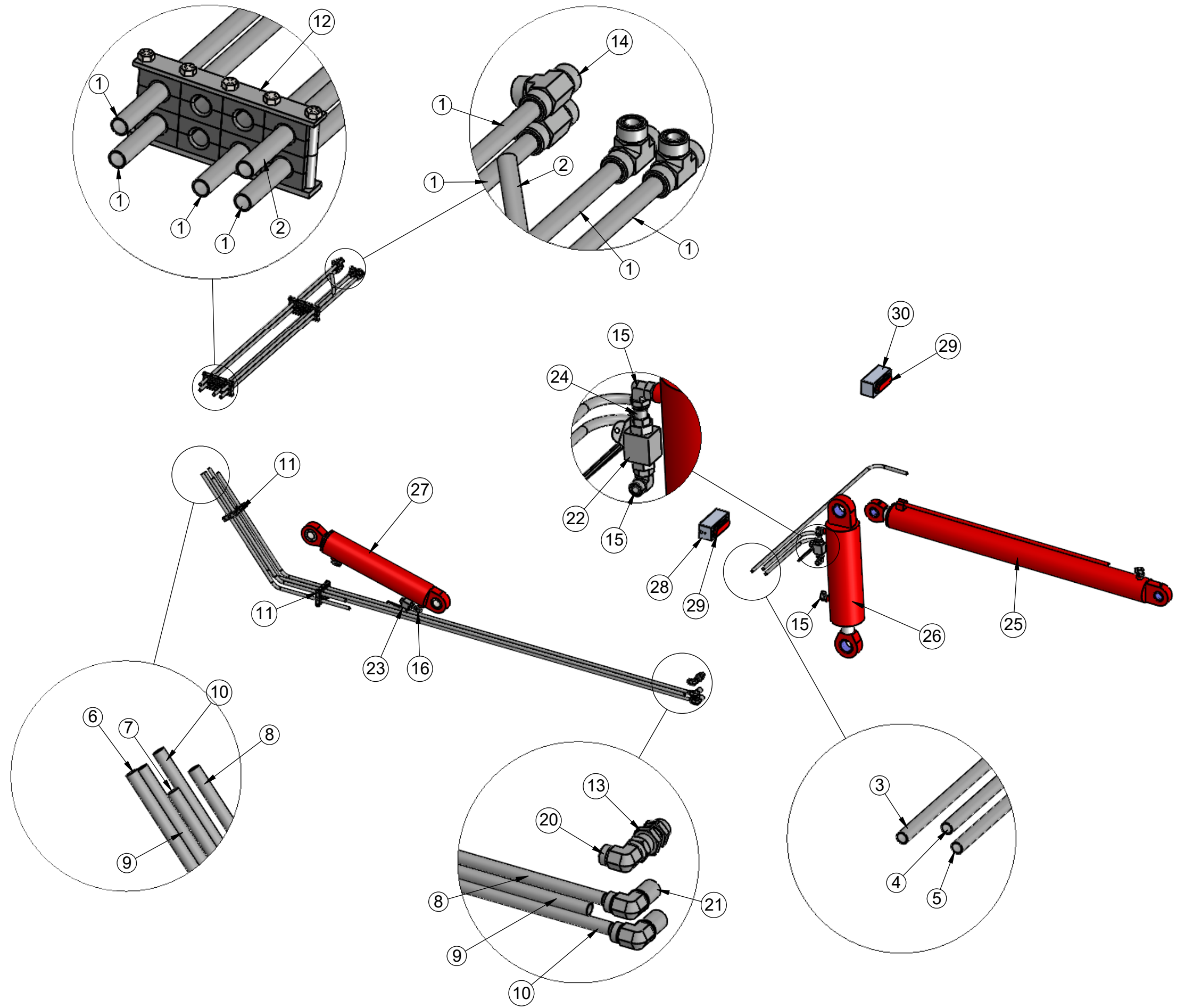


SERIAL NUMBER 00310MCSD - UP

50311 EJECTOR CYLINDER			
ITEM	PART NAME	PART NUMBER	QTY
1	SEAL KIT *	SK-01975	1
3	SPRING TENSION BUSHING	50251	2

50311 EJECTOR CYLINDER			
ITEM	PART NAME	PART NUMBER	QTY
4	SEAL KIT	432288P	1
5	SPHERICAL BEARING	50533	2

ITEM NO.	MC PART NO	PART NAME	QTY.
1	50402	FRONT PIPE GATE	4
2	50406	FRONT PIPE CYL LINE	1
3	50442	REAR EJECTOR LINE	1
4	50444	REAR LIFT LINE LOWER	1
5	50443	REAR LIFT LINE TOP	1
6	50475	GATE SIDE LINE	1
7	50474	GATE SIDE LINE-TOP	1
8	50471	SIDE LINE	1
9	50473	SIDE LINE	1
10	50472	SIDE LINE	1
12	50644	8 HOLE CLAMP	2
13	12MFFOR-12MFFOR BH	HYDRAULIC FITTING	1
14	12-MFFOR TEE	HYDRAULIC FITTING	4
15	12MB-12MFFOR90	HYDRAULIC FITTING	5
16	8MB-8MFFOR90	HYDRAULIC FITTING	2
17	8MB-8FFOR	HYDRAULIC FITTING	1
19	12G-12MFFOR90M	HYDRAULIC FITTING	2
20	12MFFOR-12FFORX90	HYDRAULIC FITTING	1
21	12MFFOR-BH 90	HYDRAULIC FITTING	2
22	50804	.75 BALL VALVE	1
23	50803	.5 BALL VALVE	1
24	12MB-12FFOR	HYDRAULIC FITTING	1
25	50311	5.0 B x 60 S EJECT	1
26	50313	7B X 17S FRAME	1
27	50301A	4.5 x 20 GATE CYL	1
28	51500	LH LIGHT BOX	1
29	50105	SAFETY LIGHT ASSEMBLY	2
30	51501	RH LIGHT BOX	1



HYDRAULICS & LIGHTS