

# ***Ashland*** **INDUSTRIES, INC.™**

*Quality  
Equipment  
Since  
1953*

## Model 61 PARTS MANUAL

Version 4-04

Ashland Industries Inc.  
1115 Rail Drive  
P.O. Box 717  
Ashland, WI. 54806  
Ph: 877-634-4622 *Toll Free*  
Ph: 715-682-4622  
Fx: 715-682-9717  
[www.ashlandind.com](http://www.ashlandind.com)

MEMBER  
**CIMA**  
CONSTRUCTION INDUSTRY  
MANUFACTURERS ASSOCIATION



## **HOW TO ORDER PARTS:**

### **IMPORTANT**

Parts must be ordered through your local authorized ASHLAND dealer.

Be sure to state MODEL and SERIAL NUMBER of your machine, PART NUMBER, DESCRIPTION and QUANTITY needed.

Unless this is done, we cannot provide prompt service or assure shipment of the correct parts.



Ashland Industries weldable replacement parts are available to rebuild, modify or update your scraper to current factory specifications.

## **INDEX**

Page 3.	Safety Guidelines
Page 4-5.	Assembly Instructions
Page 6.	Frame Assembly
Page 7.	Pole, Axle and Wheel Assembly
Page 8.	Actuating Assembly
Page 9.	Bucket and Apron Assembly
Page 10.	Wheel, Hub and Spindle
Page 11.	Hydraulic Cylinder (5" x 16")
Page 12.	How to Operate the W7B-20DC Rim
Page 13.	Warranty Statement



## SAFETY SIGNAL WORDS

Note the use of the signal words *DANGER*, *WARNING* and *CAUTION* with the safety messages. The appropriate signal word for each has been selected using the following guidelines:

**DANGER:** Indicates an imminently hazardous situation that, if not avoided, will result in death or serious injury. This signal word is to be limited to the most extreme situations typically for machine components which, for functional purposes, cannot be guarded.



**WARNING:** Indicates a potentially hazardous situation that, if not avoided, could result in death or serious injury, and includes hazards that are exposed when guards are removed. It may also be used to alert against unsafe practices.



**CAUTION:** Indicates a potentially hazardous situation that, if not avoided, may result in minor or moderate injury. It may also be used to alert against unsafe practices.



## GENERAL SAFETY GUIDELINES

Safety of the operator is one of the main concerns in designing and developing a new piece of equipment. Designers and manufacturers build in as many safety features as possible. However, every year many accidents occur which could have been avoided by a few seconds of thought and a more careful approach to handling equipment. You, the operator, can avoid many accidents by observing the following precautions in this section. To avoid personal injury, study the following precautions and insist those working with you, or for you, follow them.

Replace any CAUTION, WARNING, DANGER or instruction safety decal that is not readable or is missing. Location of such decals is indicated in this booklet.

Do not attempt to operate this equipment under the influence of drugs or alcohol.

Review the safety instructions with all users annually.

This equipment is dangerous to children and persons unfamiliar with its operation. The operator should be a responsible adult familiar with farm machinery and trained in this equipment's operations. **Do not allow persons to operate or assemble this unit until they have read this manual and have developed a thorough understanding of the safety precautions and of how it works.**

To prevent injury or death, use a tractor equipped with a Roll Over Protective System (ROPS). Do not paint over, remove or deface any safety signs or warning decals on your equipment. Observe all safety signs and practice the instructions on them.

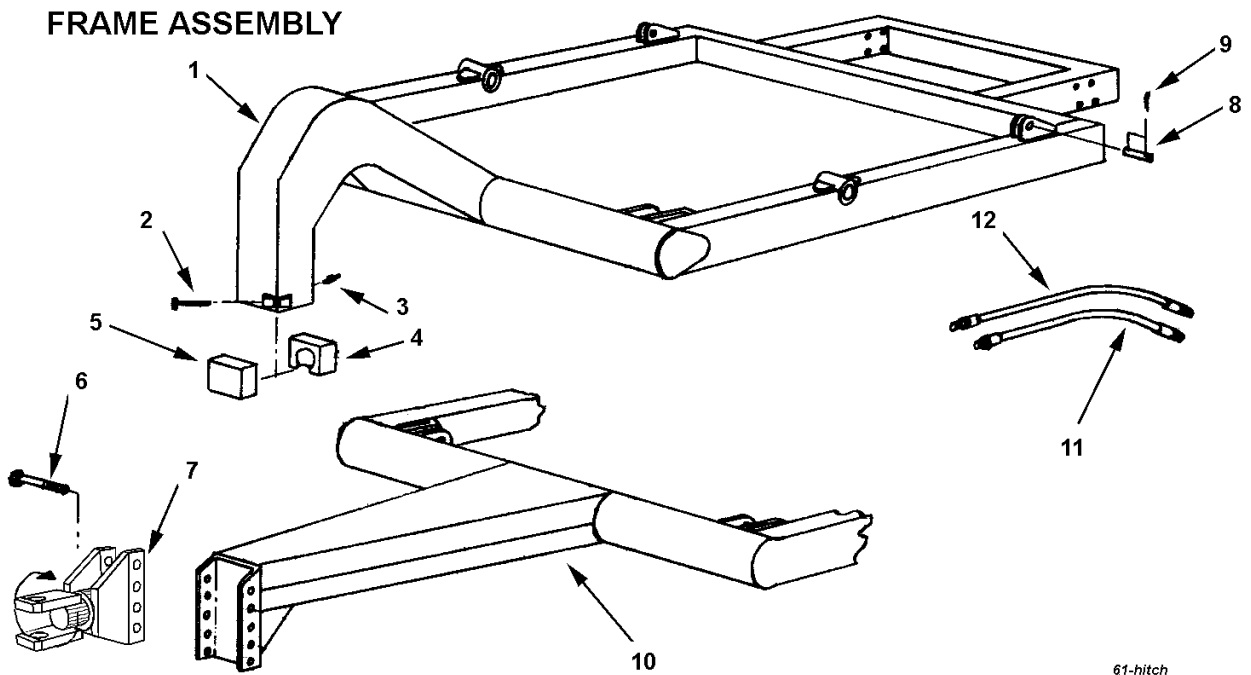
Never exceed the limits of a piece of machinery. If its ability to do a job, or to do so safely, is in question - **DON'T TRY IT.**

## MODEL 61 SCRAPER ASSEMBLY INSTRUCTIONS

1. A suitable hoist or lift should be available for assembly.
2. Pack wheel bearing with grease and install hubs to rear spindles and front axle assembly. Be sure to follow the bearing numbers as shown in the parts listing as the front hubs require different bearings than the rear.
3. Raise actuating frame over bucket and lower into place so that the holes in the arms of the actuating frame align with the rear hole on each side of the bucket. Insert 1 ¼ " x 2-11/16" pin (with tab type head) from the inside of the bucket. Secure with 5/8" x 1 ½ " NF bolt through bucket side with lockwasher and nut to the outside.
4. Connect actuating arm bars to the front holes in the bucket. In doing so, be sure that the ear and ear reinforcement on the opposite end of the actuating arm is in the up position and facing inward. Insert 1 ¼ " x 2-11/16 " pin (with tab type head) from the inside on the bucket. Secure with 5/8" x 1 ½ " NF bolt through the bucket side with lockwasher and nut to the outside.
5. Connect a short chain from the cutting edge to the cross pipe of the actuating frame, then raise this bucket and actuating assembly over the main frame and lower into place so that the front of the actuating frame can be connected to the 1 ¾ " ID bearing on the side of the main frame. Secure with 1 ¾ " x 6" pins on each side. Lock these pins in place by turning the pin until the hole in the head aligns with threaded hole in the actuating frame, then secure with ½" x 1" NC capscrew and lockwasher.
6. Lift front end of actuating arms and connect to the brackets on the front frame cross member using the 1 ¼ " x 4-1/8" pins. Secure with ¼" x 2" cotter pin.
7. Raise the apron assembly over the scraper and lower into position so that the holes in the arms of the apron align with the holes in the bucket sides. Insert the 1-5/8" to 1 ¼" shoulder pin through the apron arms and into the bucket. Install lock nut inside the bucket and tighten securely. Slide actuating link around pin located on apron arm. Install lock block with 3/8" x 4 ½" NC bolt through link and block. Connect lower end of link to actuating arm with 1 ¼" to 1" shoulder pin with 1" lock nut to the outside.
8. Install hydraulic cylinders to main frame and actuating frame with rod end to actuating frame. Be sure the grease hole in the rod end is facing up. Use 1-1/8 x 3 ¼" pin at the base of the cylinder. Secure with 3/16" x 1 ½ " cotter pins. Use 1-1/8 " x 6" pin at the rod end of the cylinder. Secure with 1" x ½" NC capscrew and lockwasher.
9. Install ½" 90° swivel adapters into front and rear port on each cylinder. Tighten so that the hose connection faces the rear.
10. Connect a ½" x 18" hose from the rear port of each cylinder to one of the pipe lines on the rear cross frame. Be sure both hoses from the rear ports are connected to the same pipe line.

11. Connect a 1/2" x 38" hose from the front port of each cylinder to the remaining pipe line on the rear cross frame.
12. Raise the rear of the frame and install wheels to hubs. Also install wheels to front axle assembly.
13. Raise front of frame and remove the two 5/8" x 4" bolts which hold the cast socket halves inside the gooseneck. Remove the cast socket halves.
14. Roll the pole and axle assembly directly under the gooseneck, place the cast socket halves around the ball socket on the axle. Lower the frame into place so that the socket halves seat into the gooseneck. (If necessary, clamp halves together with C-clamp while inserting into gooseneck.) Replace 5/8" x 4" bolts and tighten securely. Install long shank grease fitting into the hole in the back side of gooseneck.
15. Install all the grease fittings and grease liberally.
16. If available, place assembled scraper on level floor or pavement and measure the distance from the cutting edge to floor, on both left and right sides, and then adjust axle spindle to obtain equal distance on both sides.

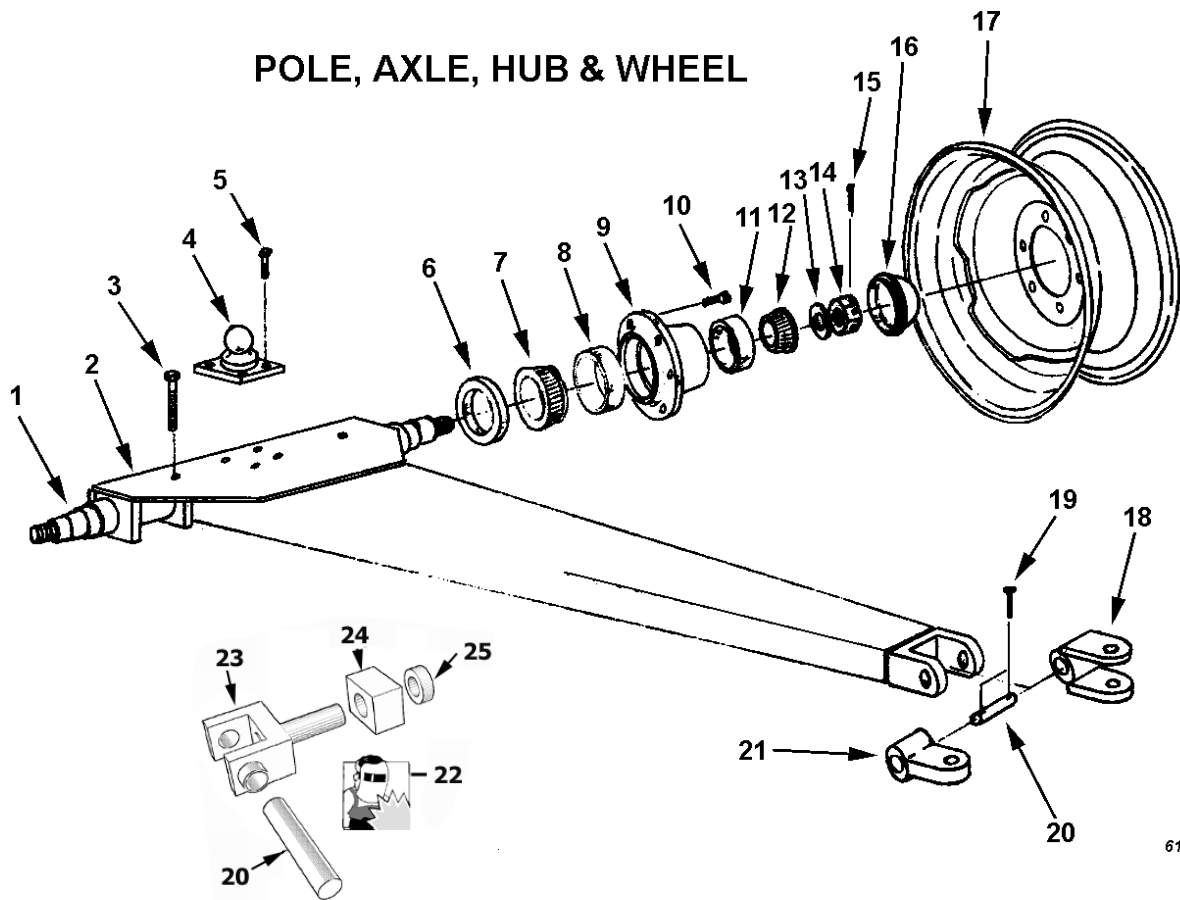
ASHLAND INDUSTRIES, INC.



61-hitch

<b>KEY NO.</b>	<b>PART NO.</b>	<b>DESCRIPTION</b>
1	A6103	Frame, Four wheel, Model D
2		Bolt, 5/8" x 4" NC, w/ nut & LW
3	A2206	Grease fitting, 1/8" NPT straight, long
4	A40005	Socket half, rear with grease hole
5	A40004	Socket half, front
6		Bolt, 1-1/4" x 7" NF w/ lock nut
7	A8033	Swivel hitch
8	A45003	Pin, 1-1/8" x 3-1/4", Cotter both end
9		Cotter pin, 3/16" x 1-1/2"
10	A6104	Frame, Two wheel, Model S
11	A60H01A	Hydraulic hose, 1/2" x 18"
12	A400H01	Hydraulic hose, 1/2" x 38"

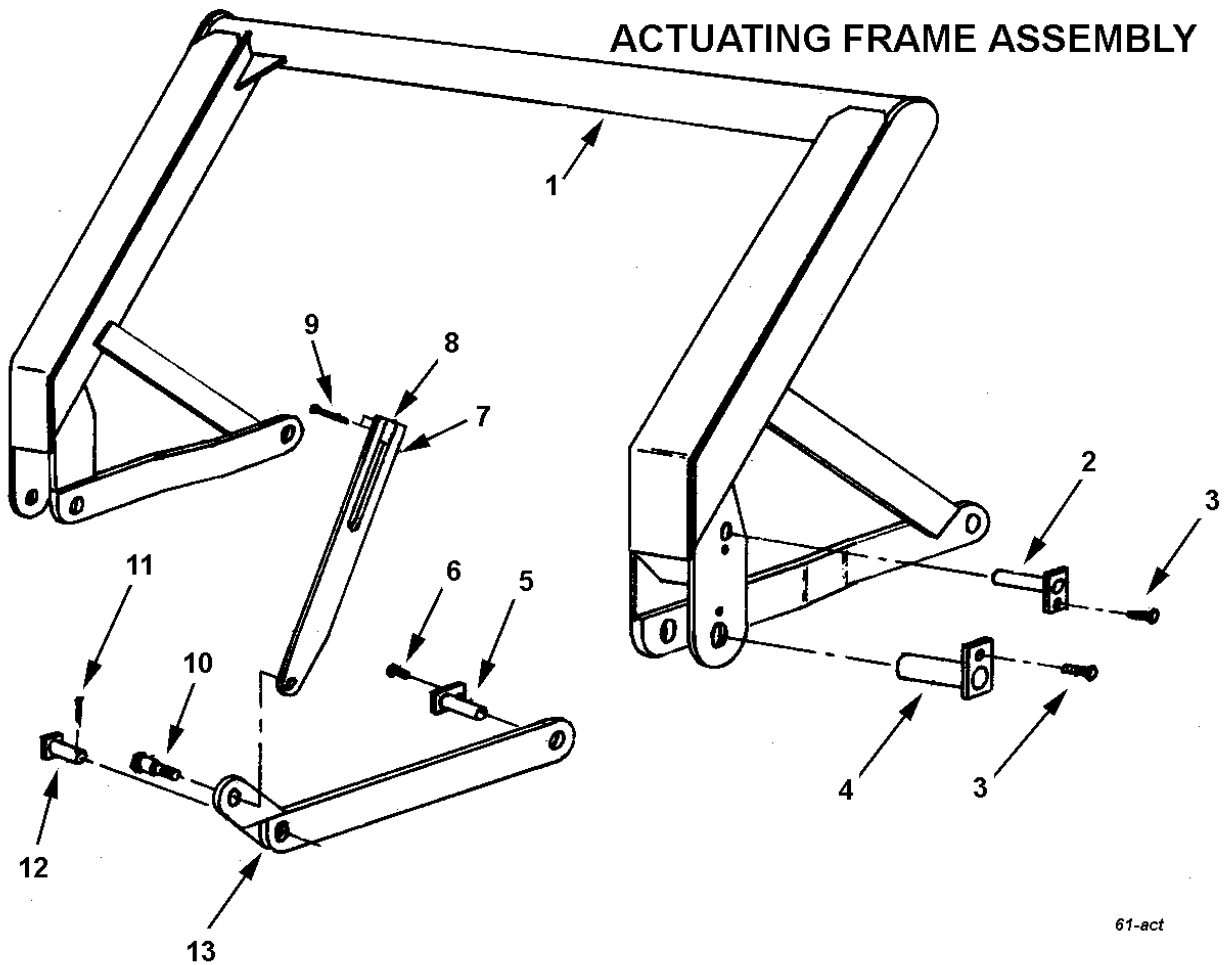
## POLE, AXLE, HUB & WHEEL



61-pole

<b>KEY NO.</b>	<b>PART NO.</b>	<b>DESCRIPTION</b>
1	A5006	Spindle - bolt on
2	A5005	Pole assembly
3		Bolt, 1/2" x 4-1/2" NF Grade 5 w/ nut & LW
4	A40006	Ball swivel
5		Bolt, 3/4" x 2-1/2" NC w/ nut & LW
6	A2229A	Grease seal ( CR 20079 )
7	A2230A	Bearing cone, inner ( Timken 342S )
8	A2231	Bearing cup, inner ( Timken 332 )
9	A2232	Hub
10	A2236	Wheel bolt
11	A2233	Bearing cup, outer ( Timken 14276 )
12	A2234	Bearing cone, outer ( Timken 14137A )
13	A2239	Washer, special 7/8" Flat
14	AFN-00005	Nut, 7/8" NF castellated
15		Cotter pin, 5/32" x 1-1/4"
16	A2235	Hub cap
17	A3319A	Wheel, 15" x 8"
18	A4553	Clevis hitch
19		Bolt, 5/16" x 2-1/2"
20	A6014	Pin, 1-1/4" x 6-3/4" w/ bolt holes
21	A4553A	Single lip hitch
22	A6012	Swivel Hitch Rebuild Kit, includes items 20, 23, 24, 25.
23	A021468	Hitch: Swivel Yoke
24	A051368	Hitch: Swivel Block
25	A051368-2	Hitch: Retaining Collar

## ACTUATING FRAME ASSEMBLY

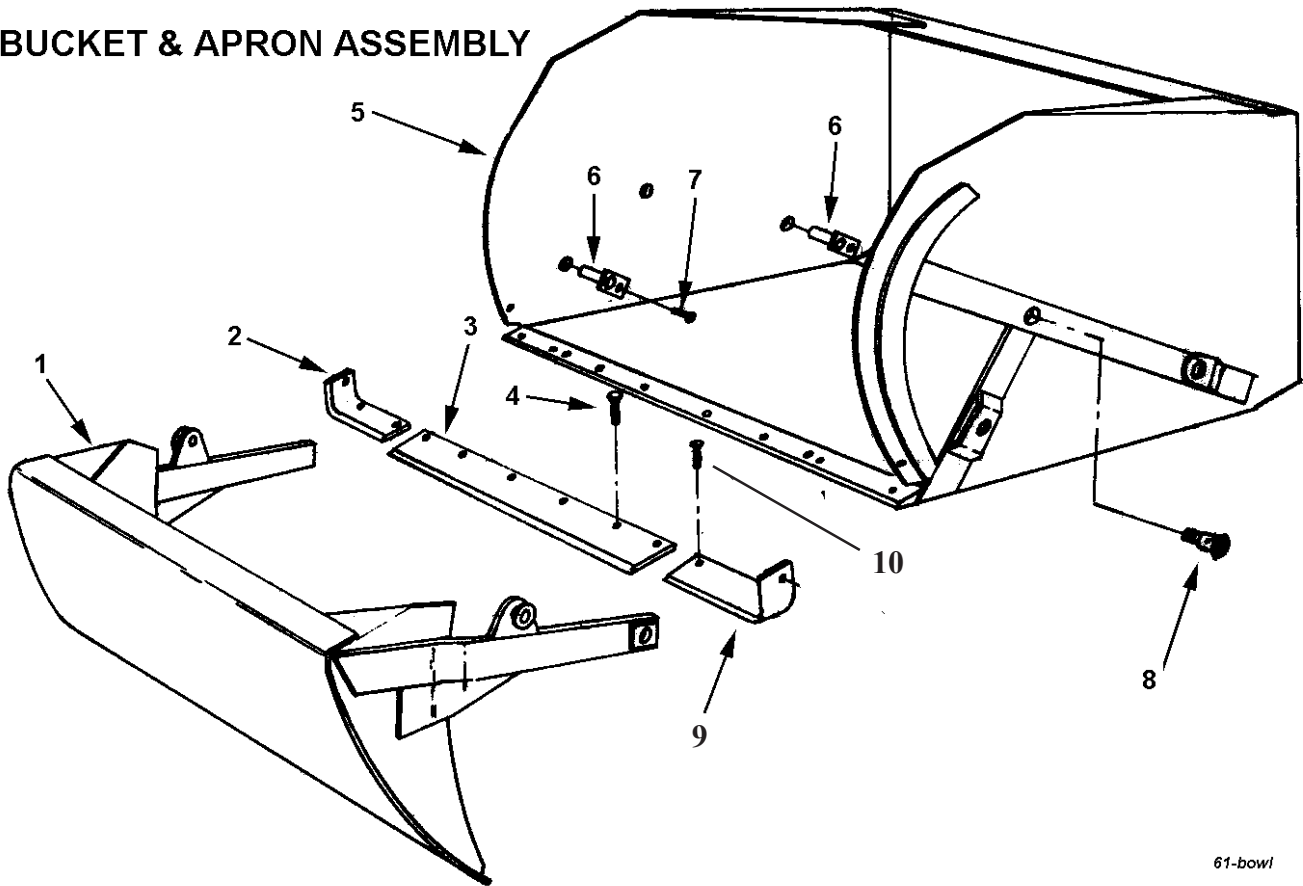


61-act

<b>KEY NO.</b>	<b>PART NO.</b>	<b>DESCRIPTION</b>
1	A6105	Actuating frame
2	A4524	Pin, 1-1/8" x 6" w/ tab head
3		Capscrew, 5/8" x 1-1/4" NC w/ LW
4	A6101	Pin, 1-3/4" x 6-1/8" w/ tab head
5	A8005	Pin, 1-1/2" x 2-11/16" w/ tab head
6		Capscrew, 5/8" x 1-1/2" w/ nut & LW
7	A6106	Actuating link
8	A6107	Stop block
9		Bolt, 3/8" x 4-1/2" NC w/ nut & LW
10	A30020	Shoulder pin, 1-1/4" x 1" w/ ctsk grease hole in head w/ lock nut
11		Cotter pin 1/4" x 2"
12	A6007A	Pin, 1-1/4" x 4-1/8" w/ square head & hole for grease zerk
13	A6108	Actuating arm, L. H.
	A6109	Actuating arm, R. H.



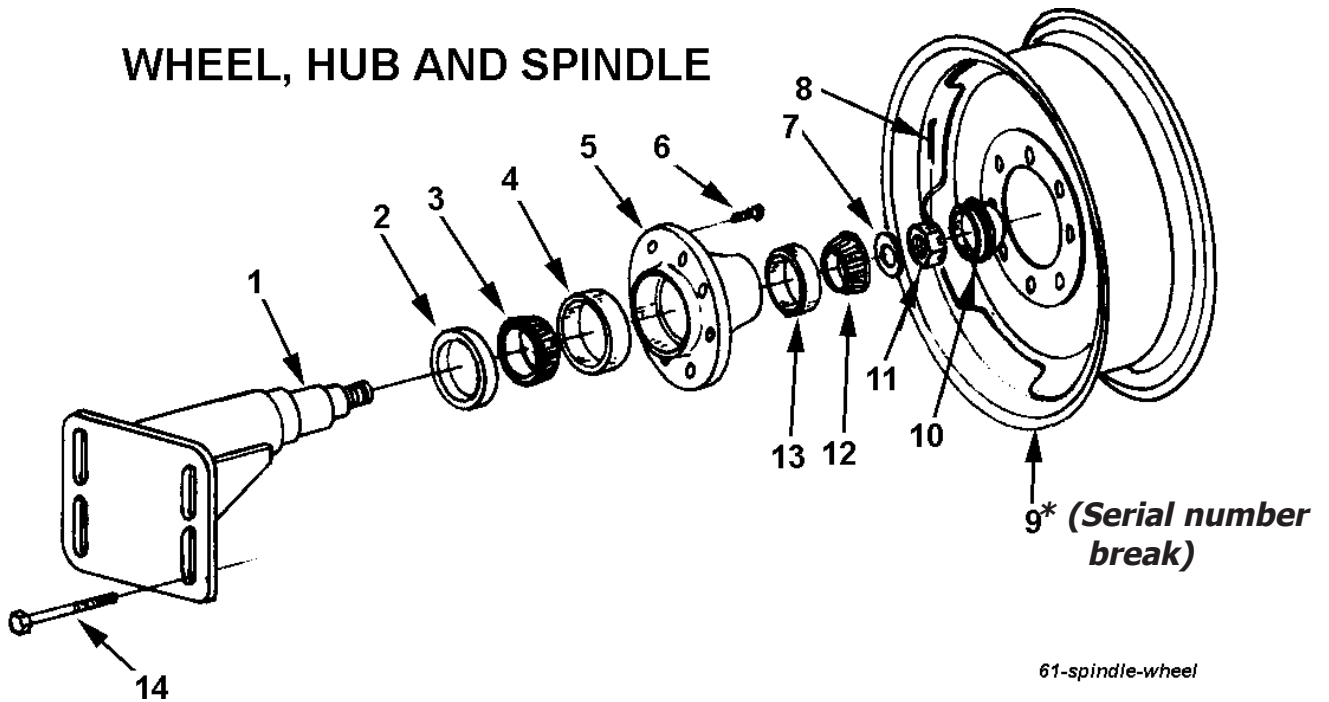
# BUCKET & APRON ASSEMBLY



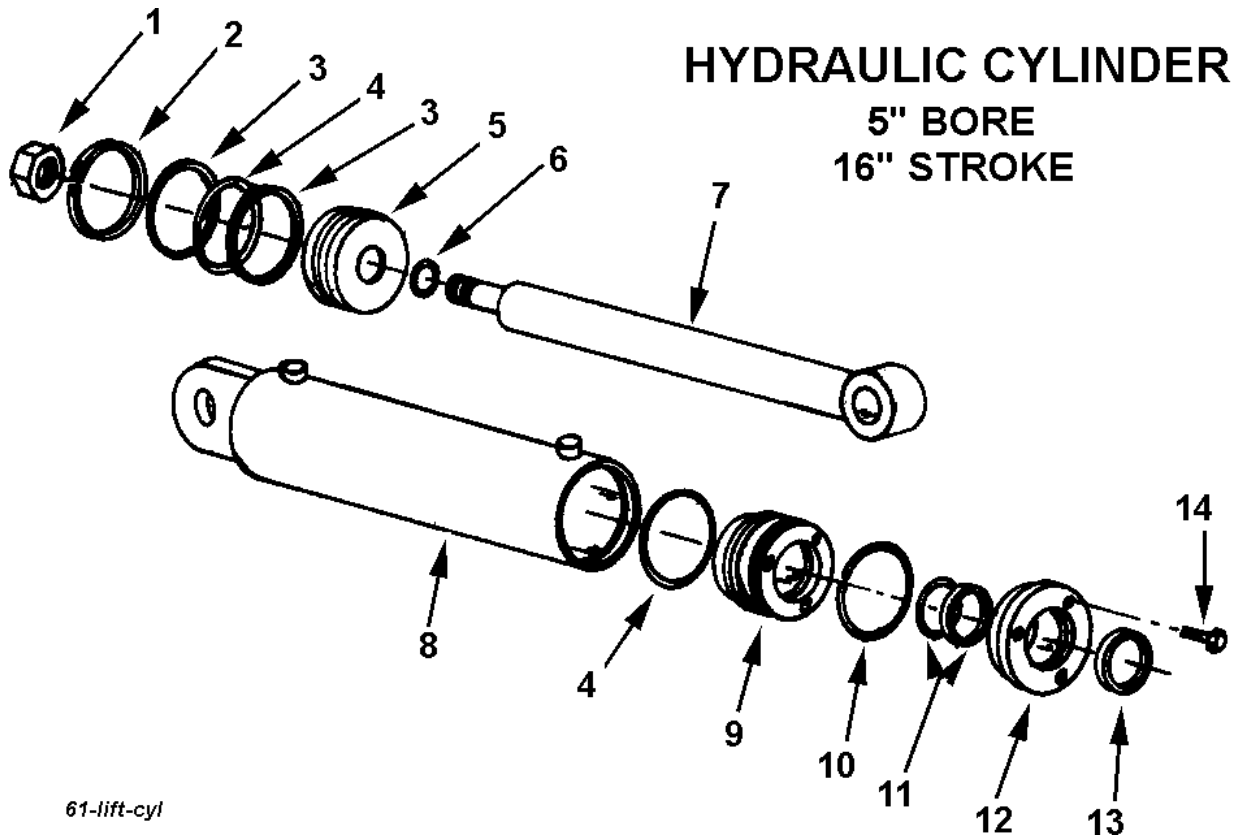
61-bowl

<b>KEY NO.</b>	<b>PART NO.</b>	<b>DESCRIPTION</b>
1	A6110	Apron
2	A2225	Cutting edge, Right 6"
3	A45010	Cutting edge, Center, 8" x 50"
*	A45010-6	Optional straight blade to match corner blades
4		Plow bolt, 5/8" x 2" w/ nut (6 req'd)
5	A6111	Bucket
6	A8005	Pin, 1-1/2" x 2-11/16" w/ tab head
7		Capscrew 5/8" x 1-1/2" w/ nut & LW
8	A6010	Shoulder pin, 1-5/8" to 1-1/4" w/ grease hole in head w/ lock nut
9	A2222	Cutting edge, Left 6"
10		Plow bolt, 1/2" x 1-3/4" (6 req'd)

## WHEEL, HUB AND SPINDLE



<b>KEY NO.</b>	<b>PART NO.</b>	<b>DESCRIPTION</b>
1	A4520	Spindle, rear with flange
2	A4512	Grease seal ( National 415082 )
3	A4513	Bearing cone, inner ( Timken 3784 )
4	A4514	Bearing cup, inner ( Timken 3720 )
5	A4515	Hub, with bearing cups
6	A4519	Wheel bolt
7	A2239	Washer, special 7/8" flat
8		Cotter pin
9	*A4521A	Wheel, 20" D.C. (up to sn 20667) Dec 2002
	*A125047	Wheel, 22.5" x 8.25 (sn 20668 & up) Jan 2003
10	A2235	Hub cap
11		Nut, 7/8" NC castellated
12	A2234	Bearing cone, outer ( Timken 14137A )
13	A2233	Bearing cup, outer ( Timken 14276 )
14		Bolt, 3/4" x 6" NC w/ flat washer and nut



61-lift-cyl

**CYLINDER PART NO. A516H118**

<b>KEY NO.</b>	<b>PART NO.</b>	<b>DESCRIPTION</b>
1	A400H17	Lock nut, 1-1/4" NF
2	A400H04	Cast iron ring, 5" OD
3	A400H05	Back up washer, 5" OD
4	A400H06	O-ring, 5" OD x 1/4"
5	A400H07	Piston, 5" OD
6	A22H27	Piston gasket, 1-1/4" ID
7	A400H08	Shaft, 2" diameter
8	A400H09	Barrel assembly, 5" ID
9	A400H10	Head gland, 5" OD
10	A400H11	Retainer ring
11	A400H12	O-ring, 2" ID
	A400H12A	Back up washer, 2" ID
12	A400H13	Head cap
13	A400H14	Wiper seal, 2" ID
14	A22H18A	Capscrew, 5/16" x 1" NC
	A400H15C	Packing kit containing:
		1 - A400H04      1 - A400H11
		2 - A400H05      1 - A400H14
		2 - A400H06      1 - A400H12
		1 - A22H27      1 - A400H12A

# HOW TO OPERATE THE W7B-20DC RIM

**Note:** This rim has been developed for 20" used truck tires up to and including 9.00-20 ten ply. However, many users have found it possible to mount 10.00-20 twelve ply tires. The following procedures should be followed:

## Tools and Materials Required:

One Set Firestone Truck Tire Tools (48-A-200)  
 One Pair Vise-Grip Pliers  
 Lubricant (Avoid use of compound that contains water . . . or a solvent injurious to rubber — see your rim distributor)

## MOUNTING:



1. Remove flap inasmuch as it is not required on the drop center rim mounting and it prevents mounting the tire. Check to see tube is in casing and inflated sufficiently to prevent sag below tire beads.



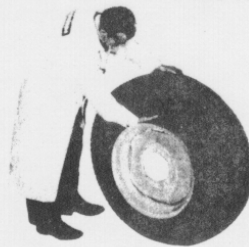
2. Place rim on floor with valve hole side up. Place tire over rim with valve stem pointing upwards. Force lower bead into well of rim as far as possible.



3. Lubricate last section of lower bead to facilitate mounting.



4. Using straight end of tool (with stop resting on rim flange) take small bites to work remaining section of lower bead onto rim.



5. Stand tire up with valve and valve hole at top of rim. Insert valve into valve hole.



6. To get top bead in place stand on tire and force bead down as far as possible and clamp vice grip pliers on the flange. (snub side toward tire). Using spoon end of tire iron with lug side towards rim, work progressively around bead using small bites until bead slips over flange onto rim base. In order to mount last 6" of bead it usually is necessary to insert second tire iron and lubricate the last bead portion.

## DEMOUNTING:



1. Remove valve core to deflate and loosen tire from bead seat of rim on both sides. Lubricate upper bead of tire thoroughly. With stops toward rim, insert spoon ends of both tools about 10 inches apart. While standing on tire to hold bead in well, pull one tool back toward center of rim.



2. Hold first tool in position with one foot and pull second tool toward center of rim. Progressively work top bead off rim, taking additional bites if necessary.



3. Stand tire and tube in vertical position with valve at top of assembly and remove valve from valve hole. Then place valve at bottom of assembly and pull out upper portion of tube so it will not interfere with demounting the second bead. Lubricate second bead. At top of assembly insert straight end of tool between bead and back flange of rim at about a 45° angle. Turn tool so it is perpendicular to rim. Pry second bead off.

**ELECTRIC WHEEL COMPANY-QUINCY, ILL.**

Division of the Firestone Tire & Rubber Company

# Limited Warranty Statement

Ashland Industries Inc. warrants each new product to be free from defects in material and workmanship. This warranty is applicable only for the normal service life expectancy of the product or components, not to exceed **six consecutive months** from the date of delivery of the new Ashland Industries product to the purchaser, or the date the product is first put into service via a rental agreement or other means, whichever occurs first.

The major components of swivel hitches used on Industrial series scrapers are warranted for three consecutive months from the date of delivery of the new Ashland Industries product to the purchaser, or the date the product is first put into service via a rental agreement or other means, whichever occurs first, except those components described below.

Genuine Ashland Industries Inc. replacement parts and components will be warranted for 30 days from date of purchase, or the remainder of the original equipment warranty period, whichever is longer.

Under no circumstances will it cover any merchandise or components thereof, which in the opinion of the company, has been subjected to misuse, unauthorized modification, alterations, an accident or if repairs have been made with parts other than those obtained through Ashland Industries Inc.

Ashland Industries Inc. in no way warrants Tires since their respective manufacturer warrants these items separately. Please call Ashland Industries Inc. to receive phone numbers of tire suppliers.

Ashland Industries Inc. in no way warrants wearable items such as cutting edges, front dolly wheel balls, socket halves, rollers, bushings, yoke hitch pins, hitch bushings, etc..

Our obligation under this warranty shall be limited to repairing or replacing, free of charge to the original purchaser, any part that, in our judgement, shall show evidence of such defect, provided further that such part shall be returned within 30 days from the date of failure to Ashland Industries Inc. routed through the dealer and distributor from whom the purchase was made, transportation charges prepaid. Upon warranty approval proper credits will be reimbursed for transportation.

This warranty shall not be interpreted to render Ashland Industries Inc. liable for injury or damages of any kind or nature to person or property. This warranty does not extend to the loss revenue, extra labor cost associated with downtime, substitute machinery, rental or for any other reason.

Except as set forth above, Ashland Industries Inc. shall have no obligation or liability of any kind on account of any of its equipment and shall not be liable for special or consequential damages. Ashland Industries Inc. make no other warranty, expressed or implied, and, specifically, Ashland Industries Inc. disclaims any implied warrant or merchantability or fitness for a particular purpose. Some states or provinces do not permit limitations or exclusions of implied warranties or incidental or consequential damages, so the limitations or exclusion in this warranty may not apply.

This warranty is subject to any existing conditions of supply which may direct affect our ability to obtain materials or manufacture replacement parts.

Ashland Industries Inc. reserves the right to make improvements in design or changes in specifications at any time, without incurring any obligation to owners of units previously sold

No one is authorized to alter, Modify or enlarge this warranty nor the exclusion, limitations and reservations.