

Ashland **INDUSTRIES, INC.™**

*Quality
Equipment
Since
1953*

Models 450 & 500 PARTS MANUAL

Version 4-04

Ashland Industries Inc.
1115 Rail Drive
P.O. Box 717
Ashland, WI. 54806
Ph: 877-634-4622 *Toll Free*
Ph: 715-682-4622
Fx: 715-682-9717
www.ashlandind.com

MEMBER

CONSTRUCTION INDUSTRY
MANUFACTURERS ASSOCIATION


FEMA

HOW TO ORDER PARTS:

IMPORTANT

Parts must be ordered through your local authorized ASHLAND dealer.

Be sure to state MODEL and SERIAL NUMBER of your machine, PART NUMBER, DESCRIPTION and QUANTITY needed.

Unless this is done, we cannot provide prompt service or assure shipment of the correct parts.



Ashland Industries weldable replacement parts are available to rebuild, modify or update your scraper to current factory specifications.

INDEX

Page 3.	Operator and Maintenance Instructions
Page 4.	Safety Guidelines
Page 5-6.	Assembly Instructions
Page 7.	Frame Assembly
Page 8.	Pole, Axle, Hub & Wheel
Page 9.	Actuating Assembly
Page 10.	Bucket Assembly
Page 11.	Rear Frame Assembly
Page 12.	Wheel, Hub and Spindle Assembly
Page 13.	Single Lock Line Valve
Page 14.	Sequence Valve, Line Check Valve
Page 15.	Hydraulic Cylinder (Right, 4" x 16")
Page 16.	Hydraulic Cylinder (Left, 4" x 16")
Page 17.	Hydraulic Cylinder (4" x 8")
Page 18.	Plumbing Assembly
Page 19.	PMC-5600D Series
Page 20.	How to Operate the W7B-20DC Rim
Page 21.	Warranty Statement

OPERATORS AND MAINTENANCE INSTRUCTIONS

This scraper is a durable piece of equipment and with proper care will yield many years of trouble free operation. The scraper requires a power source with one 4-way (double acting) hydraulic control valve.

After scraper has been assembled, it should be greased at all points where grease fittings are provided. Connect hydraulic hoses to tractor and operate the scraper to maximum raise and drop several times to force any air from the hydraulic lines and cylinders. Check the oil level in the tractor hydraulic system and add to maintain the proper level.

When the scraper is placed into operation, the operator will have to "feel out" the amount of depth of cut to obtain maximum loading efficiency. This is usually accomplished by taking a lesser and more uniform cut. However, some soil conditions such as loose sand may require a "pumping action" obtained by taking successive deep cuts and lifting out of cut as the tractor begins to lose power or traction.

1. After 10 hours work, all bolts should be checked and tightened if necessary.
2. Every 10 hours all grease fittings should be lubricated.
3. After 50 hours work, all bolts should be rechecked and tightened if necessary. Check wheel bearings and adjust if necessary.
4. After 300 hours work, clean and repack wheel bearings and replace, if necessary, cutting edges, worn pins, etc.

SPREAD CONTROL ON MODEL 450 AND 500 SCRAPERS

The hydraulic cylinder on the rear section of the main frame controls the distance the cutting edge is from the ground after the bucket is in dump position. When the bucket first reaches dump position, the cutting edge is at the minimum spreading depth (approx. 2") and as additional depth of spread is desired, the same hydraulic control valve on the tractor is actuated and the cutting edge raises allowing for the increased depth of spread.

This is accomplished when the flow of hydraulic oil is automatically diverted from one of the hydraulic cylinders on the side of the scraper to the hydraulic cylinder at the rear. The rear cylinder lifts the entire main frame and bucket assembly upward, allowing for the increased distance between the cutting edge and the ground.

ASHLAND INDUSTRIES, INC.



SAFETY SIGNAL WORDS

Note the use of the signal words *DANGER*, *WARNING* and *CAUTION* with the safety messages. The appropriate signal word for each has been selected using the following guidelines:

DANGER: Indicates an imminently hazardous situation that, if not avoided, will result in death or serious injury. This signal word is to be limited to the most extreme situations typically for machine components which, for functional purposes, cannot be guarded.



WARNING: Indicates a potentially hazardous situation that, if not avoided, could result in death or serious injury, and includes hazards that are exposed when guards are removed. It may also be used to alert against unsafe practices.



CAUTION: Indicates a potentially hazardous situation that, if not avoided, may result in minor or moderate injury. It may also be used to alert against unsafe practices.



GENERAL SAFETY GUIDELINES

Safety of the operator is one of the main concerns in designing and developing a new piece of equipment. Designers and manufacturers build in as many safety features as possible. However, every year many accidents occur which could have been avoided by a few seconds of thought and a more careful approach to handling equipment. You, the operator, can avoid many accidents by observing the following precautions in this section. To avoid personal injury, study the following precautions and insist those working with you, or for you, follow them.

Replace any CAUTION, WARNING, DANGER or instruction safety decal that is not readable or is missing. Location of such decals is indicated in this booklet.

Do not attempt to operate this equipment under the influence of drugs or alcohol.

Review the safety instructions with all users annually.

This equipment is dangerous to children and persons unfamiliar with its operation. The operator should be a responsible adult familiar with farm machinery and trained in this equipment's operations. **Do not allow persons to operate or assemble this unit until they have read this manual and have developed a thorough understanding of the safety precautions and of how it works.**

To prevent injury or death, use a tractor equipped with a Roll Over Protective System (ROPS). Do not paint over, remove or deface any safety signs or warning decals on your equipment. Observe all safety signs and practice the instructions on them.

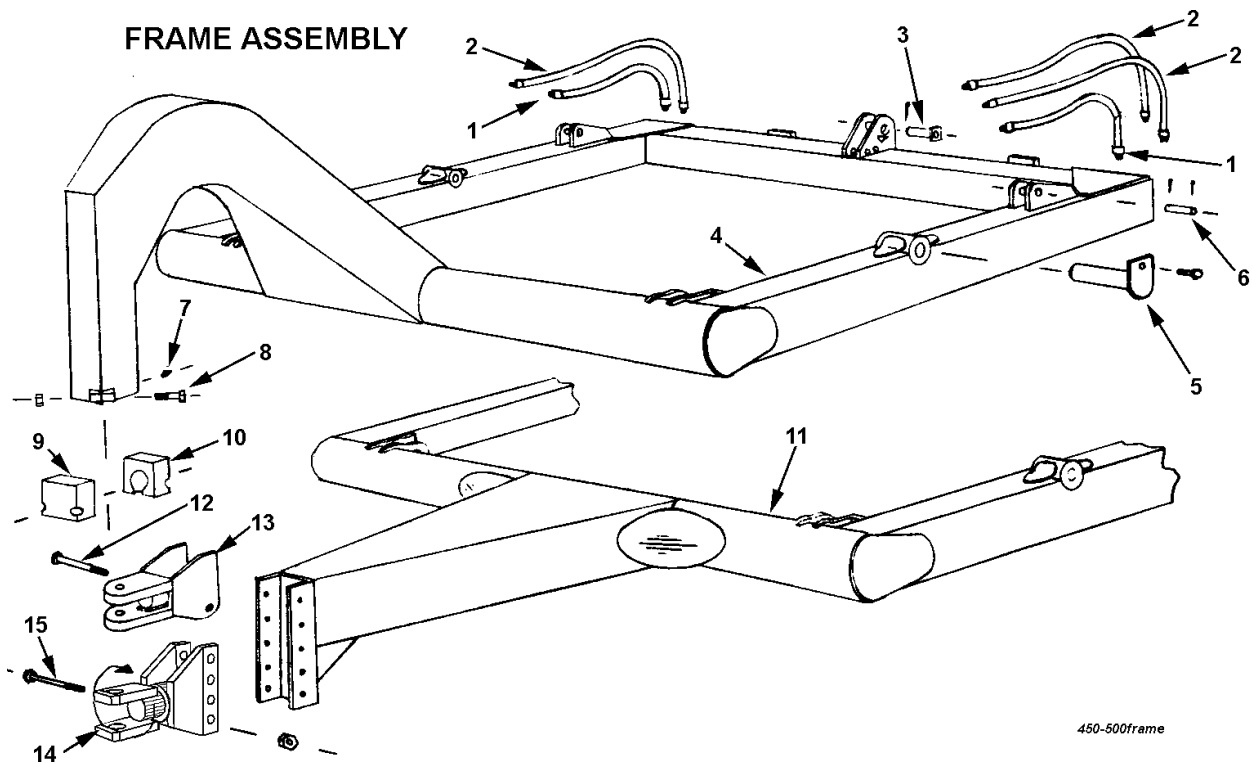
Never exceed the limits of a piece of machinery. If its ability to do a job, or to do so safely, is in question - **DON'T TRY IT.**

MODELS 450 & 500 SCRAPER ASSEMBLY INSTRUCTIONS

1. A suitable hoist or lift should be available for assembly.
2. Pack wheel bearing with grease and install hubs to rear spindles and front axle assembly. Be sure to follow the bearing numbers as shown in the parts listing as the front hubs require different bearings than the rear.
3. Raise actuating frame over bucket and lower into place so that the holes in the arms of the actuating frame aligns with the rear hole on each side of the bucket. Insert 1 ¼ " x 2-9/16" pin (with tab type head) from the inside of the bucket. Secure with 5/8" x 1 ½ " NF bolt through bucket side with locking nut to the outside.
4. Connect actuating arm bars to the front holes in the bucket. In doing so, be sure that the cast roller on the opposite end of the actuating arm is in the up position and facing inward. Insert 1 ¼ x 2-9/16 " pin (with tab type head) from the inside on the bucket. Secure with 5/8" x 1 ½ " NF bolt through the bucket side with lockwasher and nut to the outside.
5. Connect a short chain from the cutting edge to the cross pipe of the actuating frame, then raise this bucket and actuating assembly over the main frame and lower into place so that the front of the actuating frame can be connected to the 1 ½ " ID bearing on the side of the main frame. Secure with 1 ½ " x 5-5/8" pins on each side. Lock these pins in place by turning the pin until the hole in the head aligns with threaded hole in the actuating frame, then secure with ½" x 1" NC capscrew and lockwasher.
6. Lift front end of actuating arms and connect to the brackets on the front frame cross member using the 1 ¼ " x 4-1/8" pins. Secure with ¼" x 2" cotter pin.
7. Raise the apron assembly over the scraper and lower into position so that the holes in the arms of the apron align with the holes in the bucket sides. Insert the 1 ¼ " to 1" shoulder pin through the apron arms and into the bucket. Install lock nut inside the bucket and tighten securely.
8. Installing the hydraulic cylinders:
 - A. Install the cylinder with three hose ports on the left side of the scraper with the rod end to the actuating frame and the grease hole in the rod end bushing facing up. Use 1-1/8" x 3 ¼" pin at the base of the cylinder. Secure with 3/16" x 1 ½" cotter pins. Use 1-1/8" x 6" pin at the rod end of the cylinder. Secure with ½" x 1" NC capscrew and lockwasher.
 - B. Install 3/8" NPT 90° swivel adapter in all three ports of the cylinder. Tighten so that the swivel will be facing toward the rear. The extreme forward swivel will have to be turned slightly to the outside so that the hose will clear the swivel in the center port.
 - C. Connect a 3/8" x 18" hose from the forward pipe line on the frame cross-member to the base (rear) port of the cylinder.
 - D. Connect a 3/8" x 36" hose from the pipe line on the frame cross-member to the center port of the cylinder.-
 - E. Connect a 3/8" x 36" hose from the center pipe line on the frame cross-member to the extreme forward port of the cylinder.

- F. Install the cylinder with the two hose ports on the right side of the scraper with the rod end to the actuating frame, and the grease hole in the rod end bushing facing up. Use the same size pins as the cylinder on the left side.
- G. Install 3/8" NPT 90° swivel adapters in both ports of the cylinder. Tighten so that the swivel will be facing toward the rear.
- H. Connect a 3/8" x 18" hose from the forward pipe line on the frame cross-member to the base (rear) port of the cylinder (same as left cylinder).
- I. Connect a 1/2" x 36" hose from the remaining pipe line on the frame cross-member to the forward port of the cylinder.
- J. Install the 4" x 8" hydraulic cylinder on the rear of the scraper with the rod end connected to the rear frame section with the grease hole facing up. Insert the 1-1/8" x 3-1/8" square head pin at the base of the cylinder. Secure with 3/16" x 1 1/2" cotter pin. Use 1-1/8" x 3 1/2" square head pin at the rod end of the cylinder and secure with a 3/16" x 1 1/2" cotter pin.
- K. Install 3/8" NPT male x 1/2" NPT female 90° swivel adapters in the two ports of the rear cylinder. Tighten so the swivels face toward each other and somewhat to the left of the scraper.
- L. Install one 1/2" x 24" hose from the lower elbow of the single line lock valve to the base port of the cylinder. Install the remaining 1/2" x 24" hose from the upper elbow of the lock valve to the rod end port of the cylinder.
9. Raise the rear of the frame and install wheels to hubs. Also install wheels to front axle assembly.
10. Raise front of frame and remove the two 5/8" x 4" bolts which hold the cast socket halves inside the gooseneck. Remove the cast socket halves.
11. Roll the pole and axle assembly directly under the gooseneck, place the cast socket halves around the ball socket on the axle. Lower the frame into place so that the socket halves seat into the gooseneck. (If necessary, clamp halves together with C-clamp while inserting into gooseneck). Replace 5/8" x 4" bolts and tighten securely. Install long shank grease fitting into the hole in the back side of gooseneck.
12. Install all the grease fittings and grease liberally.
13. If available, place assembled scraper on level floor or pavement and measure the distance from the cutting edge to floor, on both left and right sides, and then adjust axle spindle to obtain equal distance on both sides.

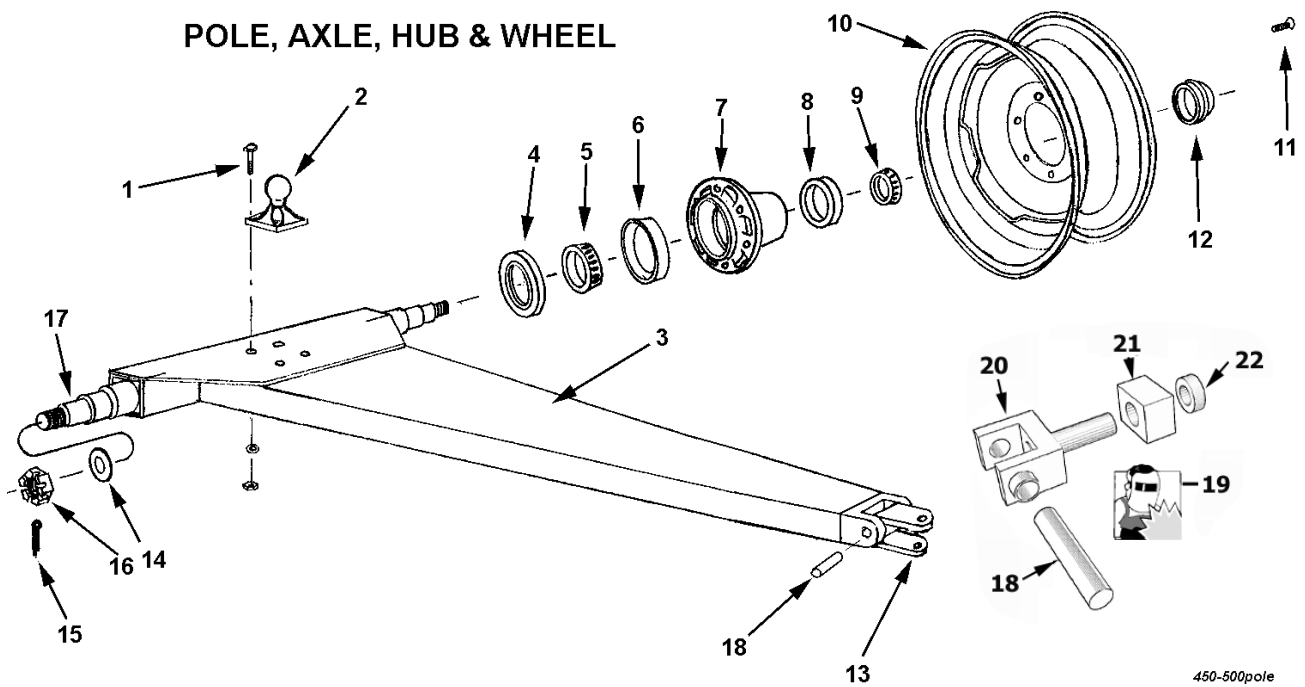
ASHLAND INDUSTRIES, INC.



450-500frame

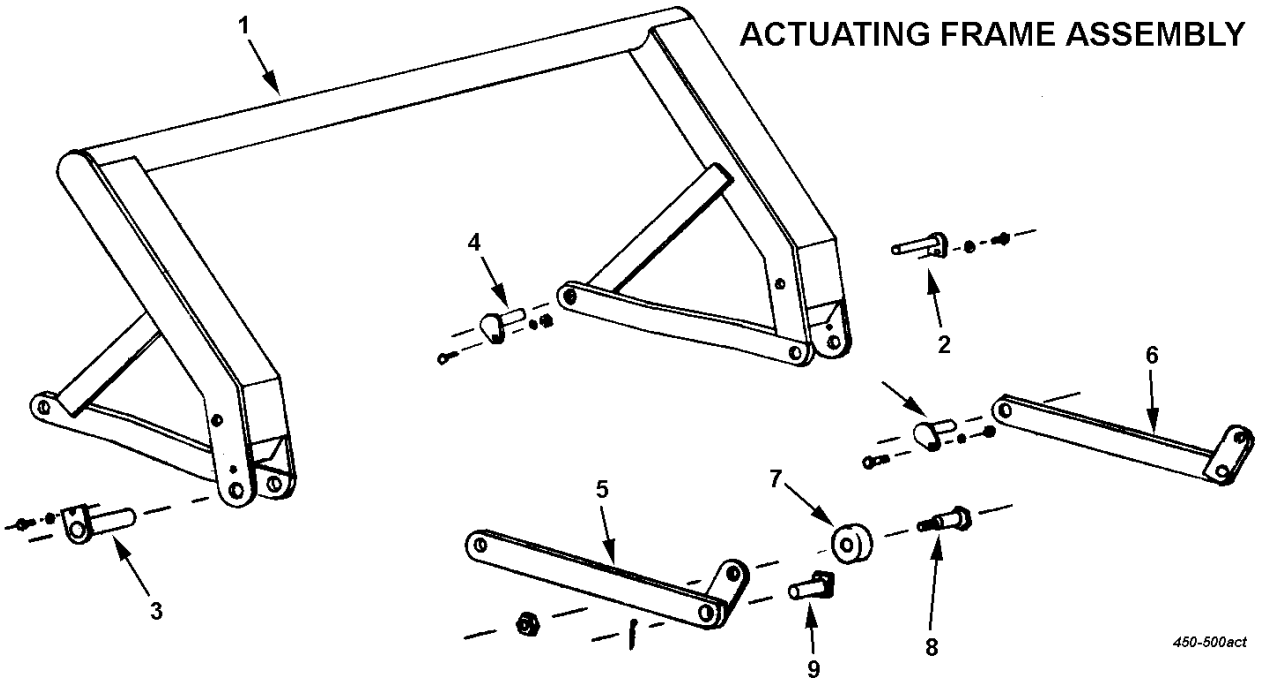
KEY NO.	PART NO.	DESCRIPTION
1	A450H01	Hydraulic hose, 3/8" x 18" single braid
2	A450H02	Hydraulic hose, 3/8" x 36" single braid
	A22H03	Swivel adapter, 3/8" 90°
3	A45001	Pin, 1-1/8" x 3-1/8" w/ sq. head
		Cotter pin, 3/16" x 1-1/2"
4	A45002	Frame, four wheel, Model D
5	A2502	Pin, 1-1/2" x 5-5/8" w/ tab head
6	A45003	Pin, 1-1/8" x 3-1/4", cotter both ends
		Cotter pin, 3/16" x 1-1/2"
7	A2206	Grease fitting, 1/8" NPT strt. long shank
8		Bolt, 5/8" x 4" NC, w/ nut & LW
9	A40004	Cast socket half, front
10	A40005	Cast socket half, rear w/ grease hole
11	A45004	Frame, two wheel, Model S
12		Bolt, 3/4" x 6" NC w/ nut & LW
13	A4523	Hitch
14	A5004	Swivel hitch
15		Bolt, 1" x 6-1/2" NC w/ nut & LW

POLE, AXLE, HUB & WHEEL

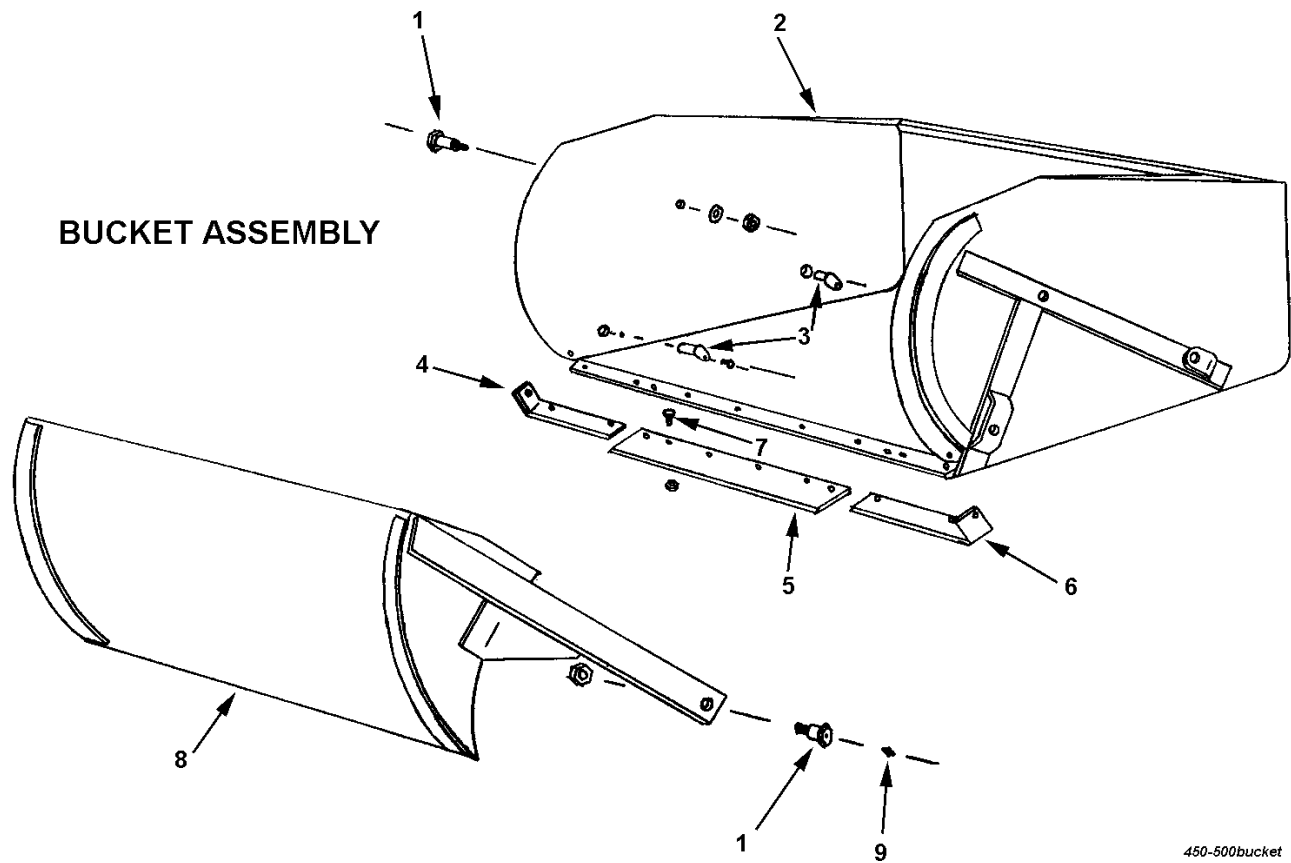


450-500pole

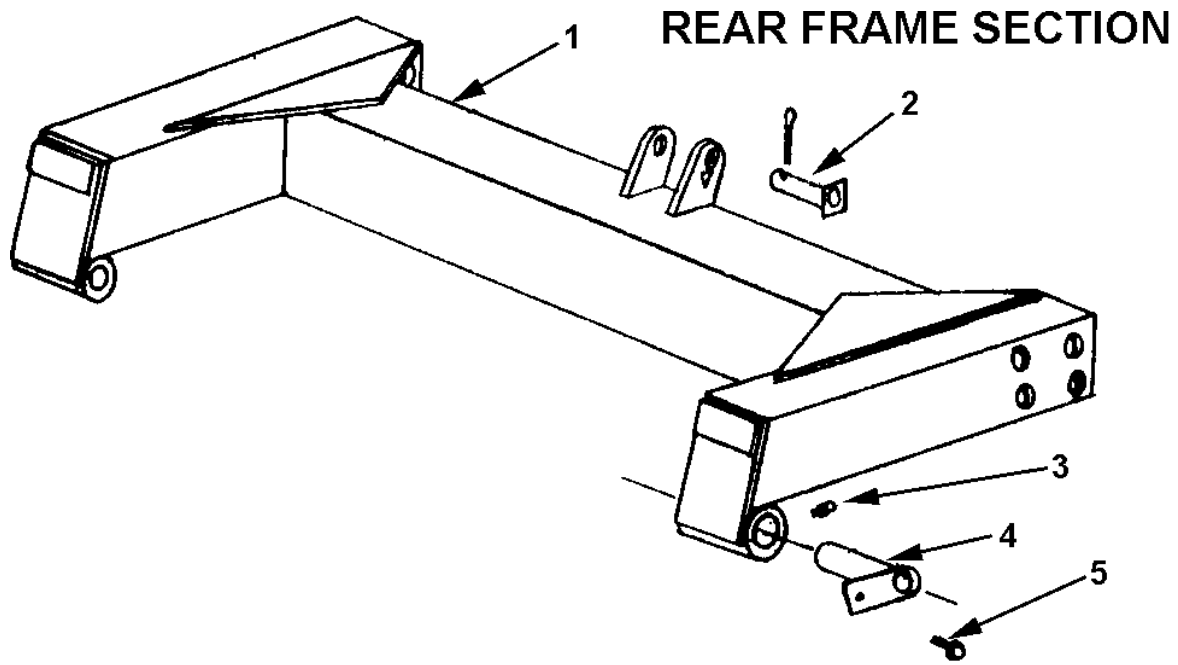
KEY NO.	PART NO.	DESCRIPTION
1		Bolts, 3/4" x 2-1/2" NC w/ nut & LW
2	A40006	Ball swivel
3	A4502	Pole and axle, Model 450
	A5002	Pole and axle, Model 500
4	A2229	Grease seal, Model 450 (CR 22870)
	A2229A	Grease seal, Model 500 (CR 20079)
5	A2230	Bearing cone, inner, Model 450 (Timken 342A)
	A2230A	Bearing cone, inner, Model 500 (Timken 342S)
6	A2231	Bearing cup, inner (Timken 332)
7	A2232	Hub, less bearing cups
8	A2233	Bearing cup, outer (Timken 14276)
9	A2234	Bearing cone, outer (Timken 14137A)
10	A3319	Wheel, 15" x 6", Model 450
	A4554	Wheel, 15" x 8", Model 500
11	A2236	Wheel bolt
12	A2235	Hub cap
13	A4553	Swivel hitch
14	A2239	Washer, special 7/8" flat
15		Cotter pin, 5/32" x 1-1/4"
16	AFN-00005	Nut, 7/8" NF castellated
17	A2238	Spindle, weld (450 srs. only)
	A5006	Spindle, weld (500 srs. only)
18	A6014	Pin, 1-3/4" x 6-3/4"
19	A4553W	Swivel Hitch Rebuild Kit, includes items 18, 20, 21, 22.
20	A051068-2	Hitch: Swivel Yoke
21	A051368	Hitch: Swivel Block
22	A051368-2	Hitch: Retaining Collar



KEY NO.	PART NO.	DESCRIPTION
1	A45005	Actuating frame
2	A4524	Pin, 1-1/8" x 6" w/ tab head
3	A2502	Capscrew, 1/2" x 1" NC w/ LW
4	A45006	Pin, 1-1/2" x 5-5/8"
5	A45008	Capscrew, 1/2" x 1" NC w/ LW
6	A45007	Pin, 1-1/4" x 2-9/16" w/ locking head
7	A30002	Bolt, 5/8" x 1-1/2" NC w/ LW
8	A30003	Actuating arm, right
9	A6007A	Actuating arm, left
		Roller
		Shoulder pin, 2-1/2" shoulder, 1-1/4" to 1"
		Nut, 1" NF w/ lock nut
		Pin, 1-1/4" x 4-1/8" w/ sq. head
		Cotter pin, 1/4" x 2"



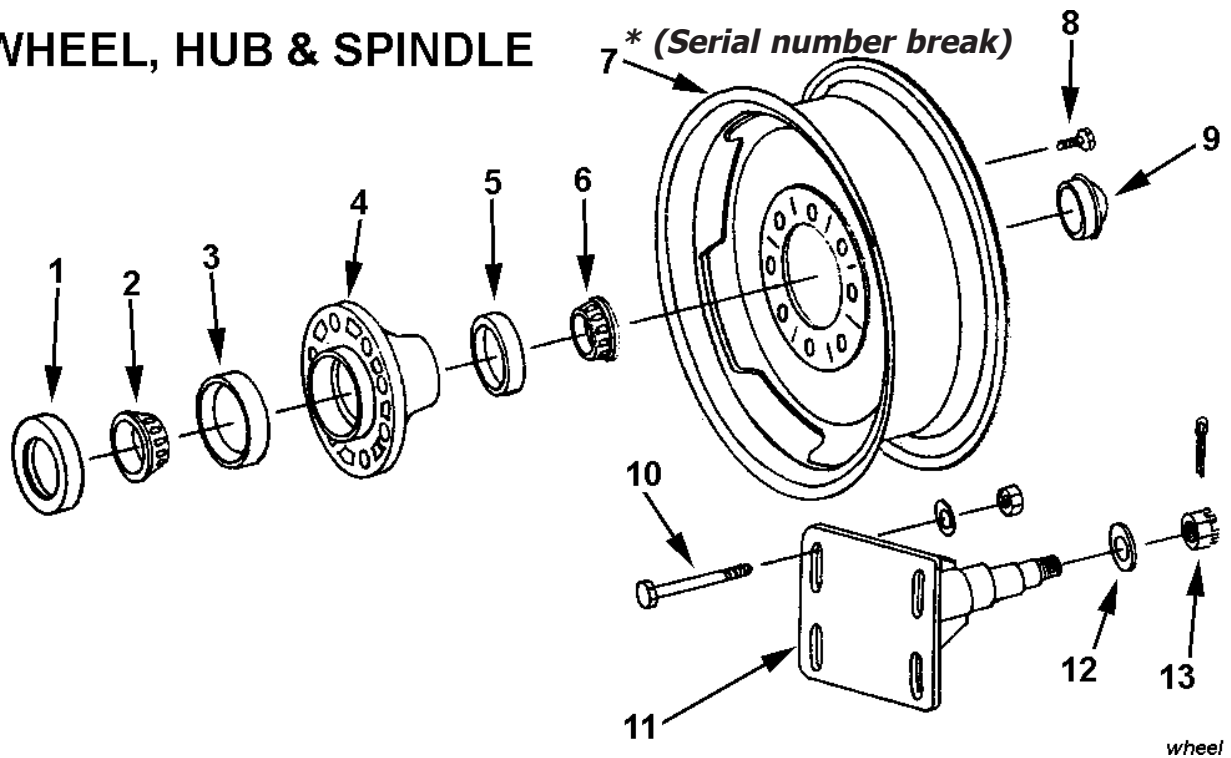
KEY NO.	PART NO.	DESCRIPTION
1	A30020	Shoulder pin, 1-1/4" to 1" NF w/ ctsk. hole Nut, 1" NF lock type
2	A45009	Bucket, used on Model 450
	A5003	Bucket, used on Model 500
3	A45006	Pin, 1-1/4" x 2-9/16" w/ locking head Bolt, 5/8" x 1-1/2" NC w/ lock washer
4	A2225	Right cutting edge, 6"
5	A45010	Center cutting edge, 8" x 50"
*	A45010-6	Optional straight blade to match corner blades
6	A2222	Left cutting edge, 6"
7		Plow bolt, 1/2" x 1-3/4" w/ nut Plow bolt, 5/8" x 2" w/ nut
8	A45011	Apron
9		Grease fitting, 1/8" NPT regular



450-500rearframe

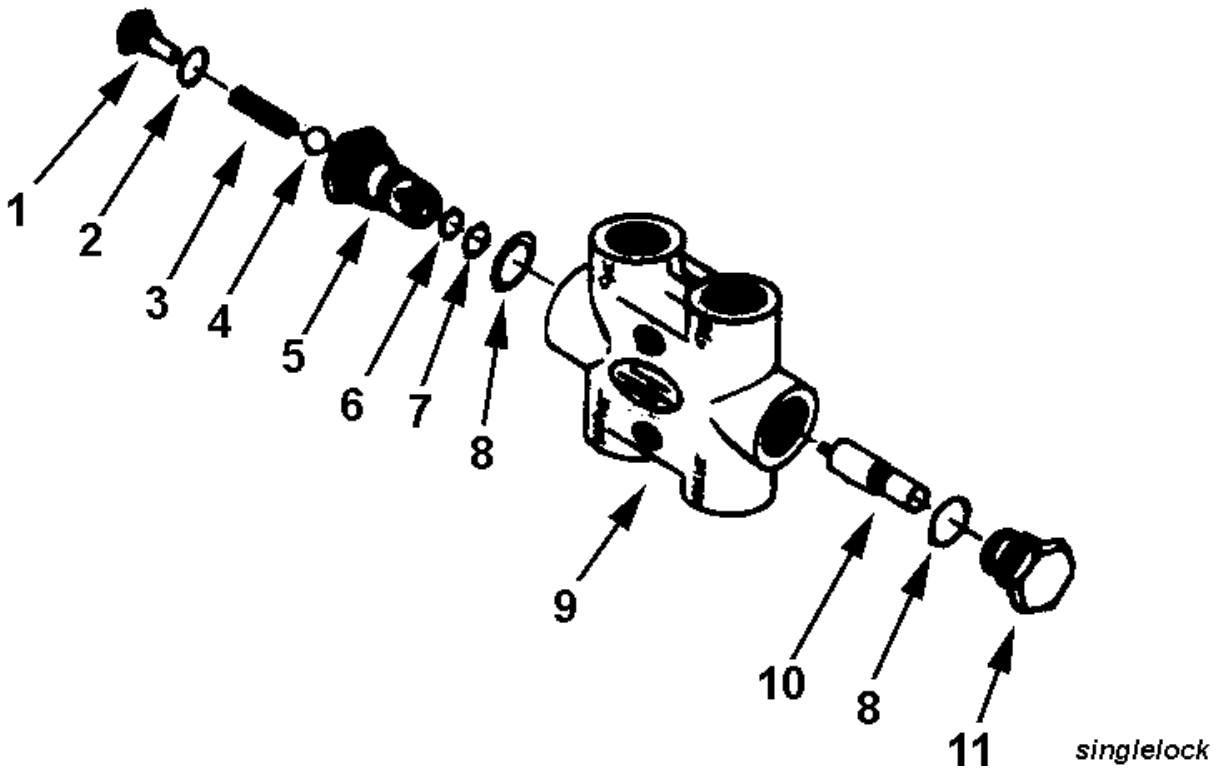
KEY NO.	PART NO.	DESCRIPTION
1	A45012	Frame section
2	A60002	Pin, 1-1/8" x 3-5/8" w/ sq. head
3		Cotter pin, 3/16" x 1-1/2"
3		Grease fittings, 1/8" NPT strt. std.
4	A2502	Pin, 1-1/2" x 5-5/8"
5		Capscrew, 1/2" x 1" NC, w/ LW

WHEEL, HUB & SPINDLE



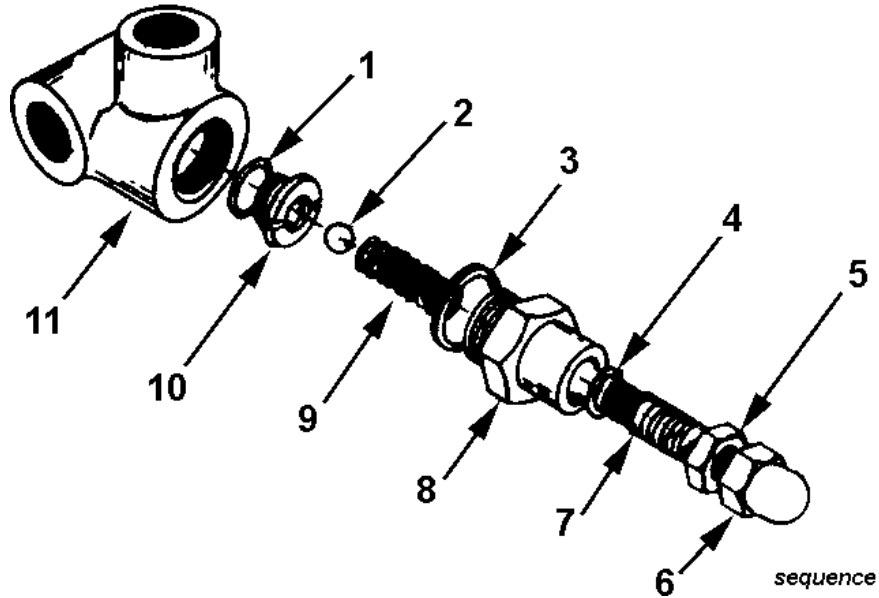
KEY NO.	PART NO.	DESCRIPTION
1	A4512	Grease seal (National 415082)
2	A4513	Bearing cone, inner (Timken 3784)
3	A4514	Bearing cup, inner (Timken 3720)
4	A4515	Hub, less bearing cups
5	A2233	Bearing cup, outer (Timken 14276)
6	A4516	Bearing cone, outer (Timken 14137A)
7	*A4521A	Wheel, 20" D.C. (500 srs only: up to sn 20667, 12/02)
	*A125047	Wheel, 22.5" x 8.25" - 500 srs only, sn 20668 and up, 01/03)
8	A4519	Wheel bolt
9	A2235	Hub cap
10		Bolt, 3/4" x 6" NC w/ nut & FW
11	A4520	Spindle
12	A2239	Washer, special 7/8" flat
13		Nut, 7/8" NF castellated
		Cotter pin

SINGLE LOCK LINE VALVE



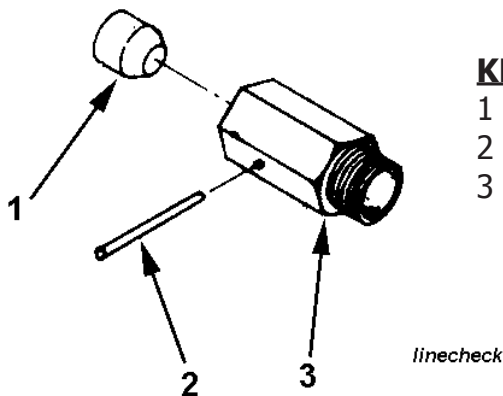
KEY NO.	PART NO.	DESCRIPTION
*1	A600H01	Valve stem plug
*2	A600H02	O-ring, seal
*3	A600H03	Spring
*4	A600H04	Ball valve
*5	A600H05	Valve seat sleeve
*6	A600H07	O-ring seal
*7	A600H08	Backup washer
*8	A600H06	O-ring seal
9	A600H10	Valve housing
*10	A600H09A	Plunger kit
*11	A600H11	Plug
	A600H12	Complete valve assembly
* Parts sold in kit only, Kit No. A600H09A		

SEQUENCE VALVE



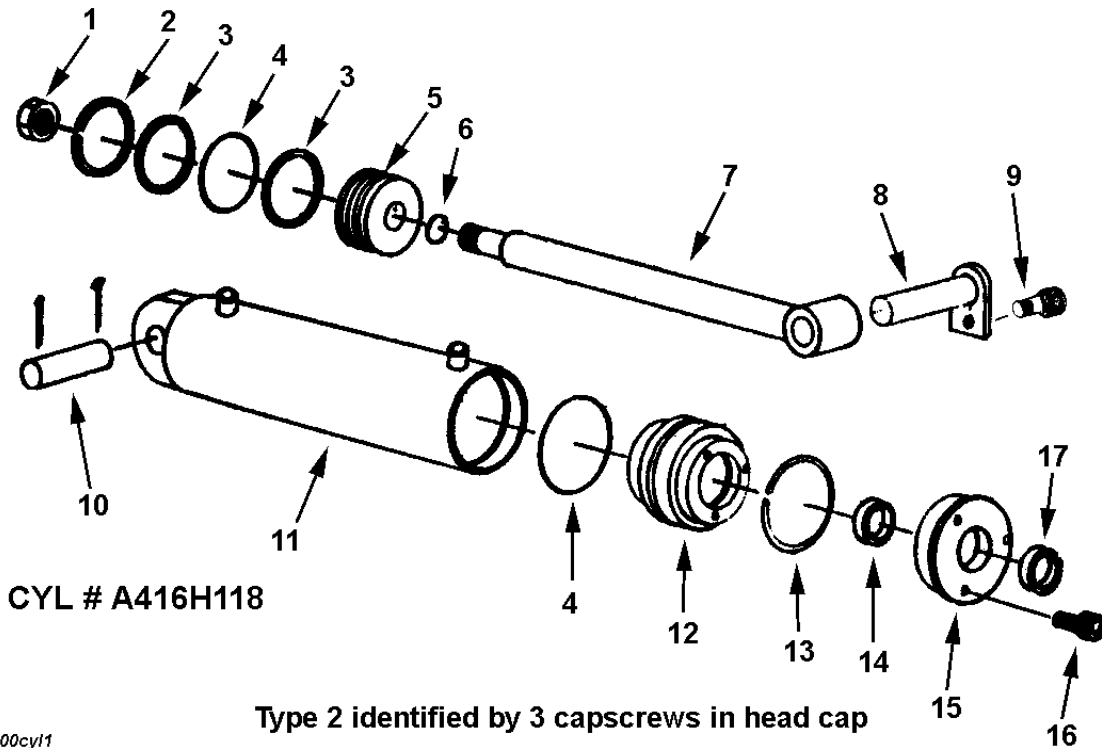
KEY NO.	PART NO.	DESCRIPTION
1	A600H22	Relief seat O-ring
2	A600H20	Ball
3	A600H18	Valve body gasket
4	A600H16	Adjusting screw O-ring
5	A600H14	Jam nut
6	A600H13	Acorn cap
7	A600H15	Adjusting screw
8	A600H17	Valve body
9	A600H19	Spring
10	A600H21	Relief seat
11	A600H23	Valve housing
	A600H24	Complete valve assembly

LINE CHECK VALVE



KEY NO.	PART NO.	DESCRIPTION
1	A600H25	Check poppet
2	A600H27	Taper pin
3	A600H26	Valve body
	A600H28	Complete valve assembly

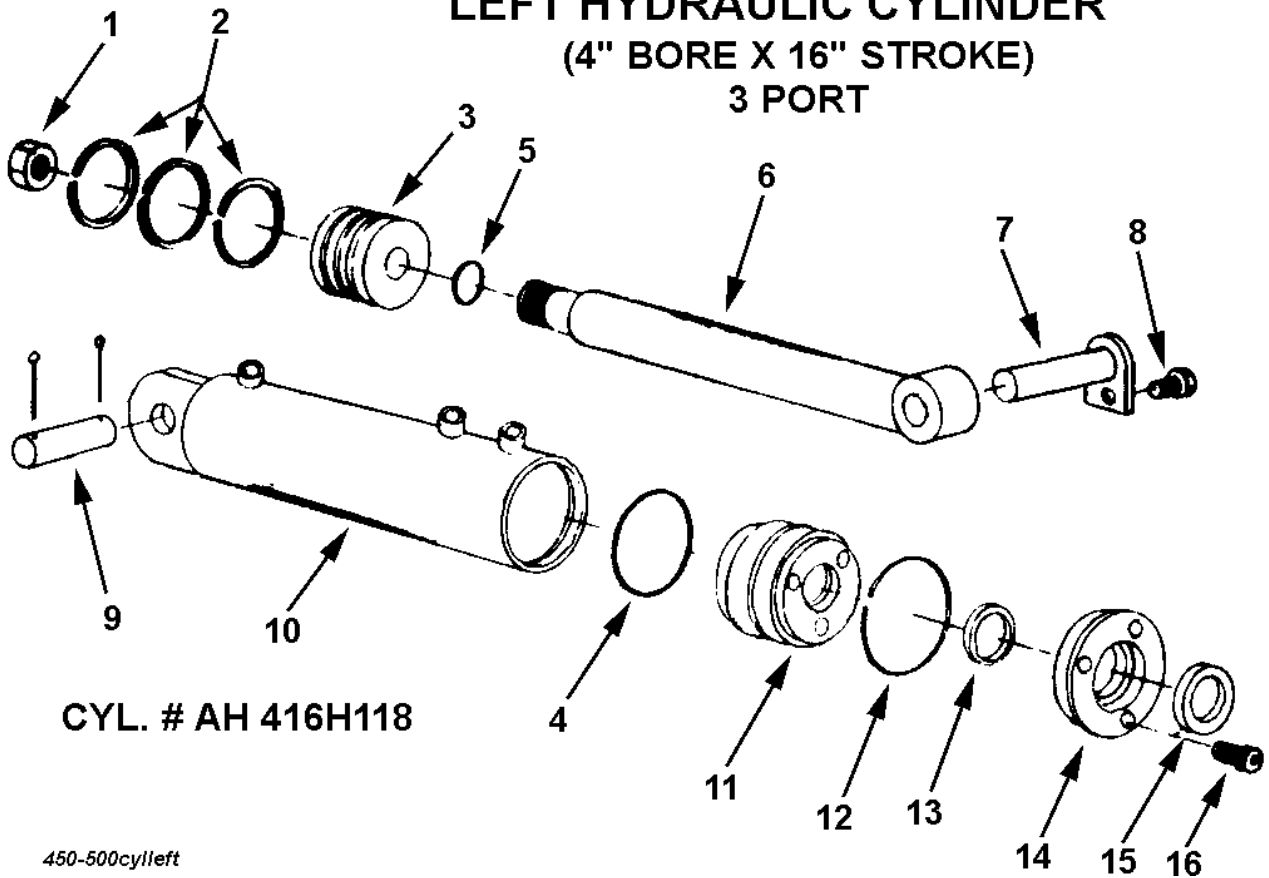
RIGHT HYDRAULIC CYLINDER 4" BORE X 16" STROKE



450-500cyl1

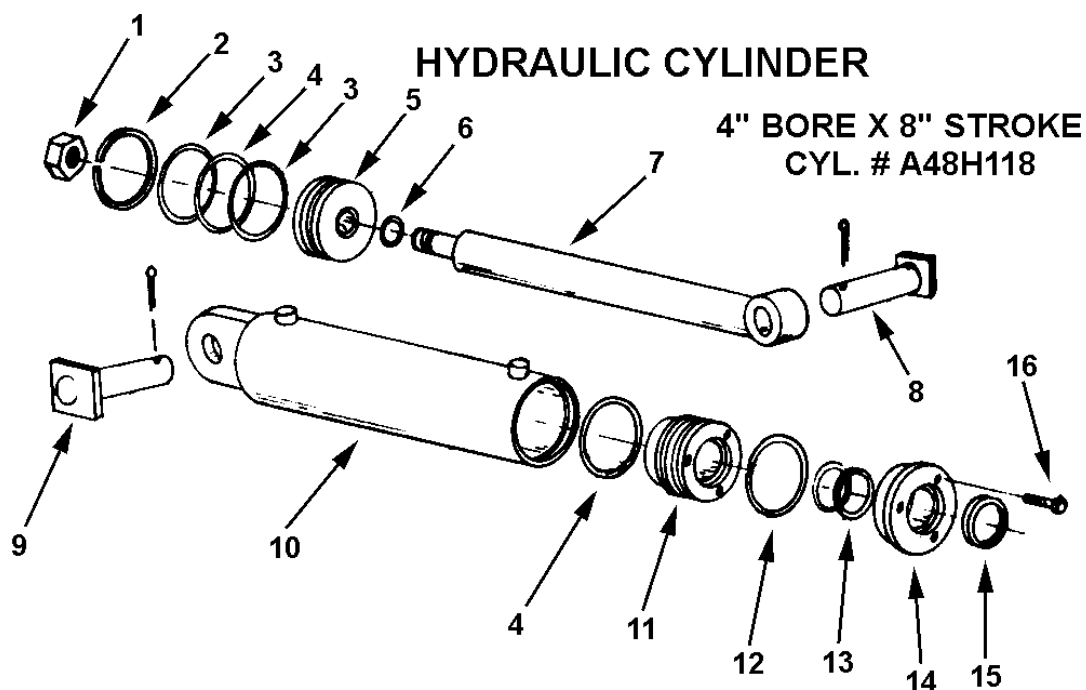
KEY NO.	PART NO.	DESCRIPTION
1	A300H03	Piston nut, 1" NF
2	A300H04	Cast iron ring, 4" OD
3	A300H05	Backup washer, 4" OD
4	A300H06	O-ring seal, 4" OD x 3/16"
5	A300H07	Piston, 4"
6	A45H05	Piston gasket, 1"
7	A45H03	Shaft, 1-1/2" dia.
8	A4524	Pin, 1-1/8" x 6"
9		Capscrew, 1/2" x 1" NC w/ LW
10	A45003	Pin, 1-1/8" x 3-1/4"
		Cotter pin, 3/16" x 1-1/2"
11	A45H04	Barrel assembly
12	A300H11	Head gland
13	A300H12	Retainer ring
14	A22H15	O-ring, 1-1/2" x 1/8"
	A22H15A	Backup washer
15	A300H13	Head cap
16	A22H18	Capscrew, 1/4" x 1" NC
17	A22H17	Wiper seal, 1-1/2" ID
	A300H14B	Packing kit, containing:
		1 - A300H04 2 - A22H15 2 - A300H05
		1 - A22H15A 2 - A300H06 1 - A22H17
		1 - A45H05

LEFT HYDRAULIC CYLINDER (4" BORE X 16" STROKE) 3 PORT



450-500cylleft

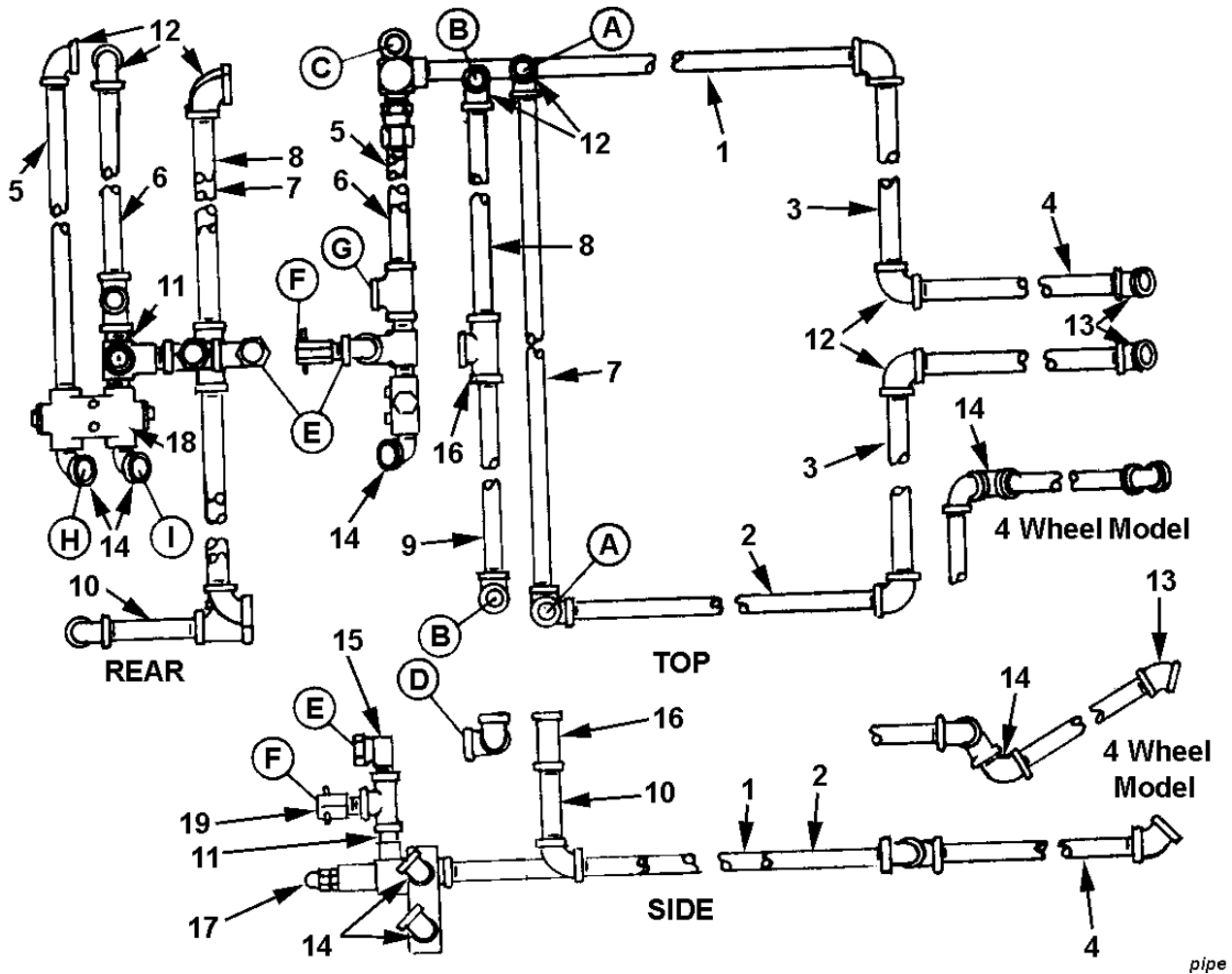
<u>KEY NO.</u>	<u>PART NO.</u>	<u>DESCRIPTION</u>	
1	A300H03	Piston nut, 1" NF	
2	A300H04	Cast iron ring, 4" OD	
3	A450H15	Piston, 4"	
4	A300H06	O-ring seal, 4" OD, x 3/16"	
5	A45H05	Piston gasket, 1"	
6	A45H03	Shaft, 1-1/2" dia.	
7	A4524	Pin, 1-1/8" x 6"	
8		Capscrew, 1/2" x 1" NC w/ LW	
9	A45003	Pin, 1-1/8" x 3-1/4"	
10	A450H10	Barrel assembly w/ sequence porting	
11	A300H11	Head gland	
12	A300H12	Retainer ring	
13	A22H15	O-ring, 1-1/2" x 1/8"	
	A22H15A	Backup washer	
14	A300H13	Head cap	
15	A22H18	Capscrew, 1/4" x 1" NC	
16	A22H17	Wiper seal, 1-1/2" ID	
	A450H11B	Packing kit containing:	
	3 - A300H04	1 - A300H06	1 - A45H05
	2 - A22H15	1 - A22H17	2 - A22H15A



cyl4x8

KEY NO.	PART NO.	DESCRIPTION
1	A300H03	Piston nut, 1" NF
2	A300H04	Cast iron ring, 4" OD
3	A300H05	Backup washer, 4" OD
4	A300H06	O-ring seal, 4" OD x 3/16"
5	A300H07	Piston, 4" OD
6	A45H05	Piston gasket, 1"
7	A600H32	Shaft, 1-1/2"
8	A60002	Pin, 1-1/8" x 3-1/2" w/ sq. head
9	A45001	Pin, 1-1/8" x 3-1/4" w/ sq. head
10	A600H33	Barrel assembly
11	A300H11	Head gland
12	A300H12	Retainer ring
13	A22H15	O-ring seal, 1-1/2"
	A22H15A	Backup washer
14	A300H13	Head cap
15	A22H17	Wiper seal, 1-1/2" ID
16	A222H18	Socket head capscrew, 1/4" x 1"
	A300H14B	Packing kit, containing:
		1 - A300H04 1 - A45H05 2 - A300H06
		2 - A22H15 1 - A22H17 1 - A22H15A
		2 - A300H05

PLUMBING ASSEMBLY



PIPE AND FITTINGS

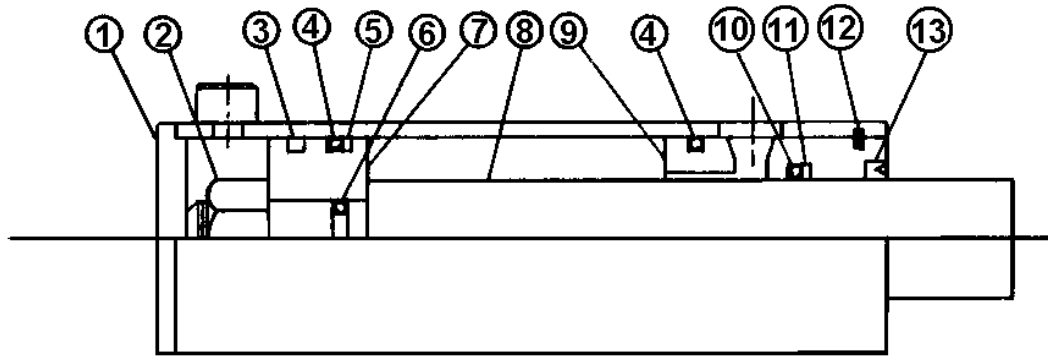
KEY #	DESCRIPTION	LENGTH	QTY.
1	1/2" STD Black Pipe	90-1/4	1
2	1/2" STD Black Pipe	86-1/2	1
3	1/2" STD Black Pipe	34-1/2	2
4	1/2" STD Black Pipe	27-3/4	2
5	1/2" STD Black Pipe	37-1/2	1
6	1/2" STD Black Pipe	31-1/2	1
7	1/2" STD Black Pipe	90	1
8	1/2" STD Black Pipe	39-3/4	1
9	1/2" STD Black Pipe	45-3/4	1
10	1/2" STD Black Pipe	3	1
11	1/2" NPT Close nipple		3
12	1/2" NPT x 90° elbow		10
13	1/2" NPT x 45° elbow		2
14	1/2" NPT x 90° st.elbow		4
15	1/2" x 90° swivel adapter		1
16	1/2" NPT TEE		3
17	Relief valve		1
18	Lock valve		1
19	Check valve		1

HYDRAULIC HOSES

QTY.	LOCATION	LG.
2	A to base port side cyl.	18"
2	B to rod port side cyl.	38"
1	C to center port left cyl.	38"
1	D to E	24"
1	F to G	24"
1	H to base port rear cyl.	24"
1	I to rod port rear cyl.	24"

4" Bore
16" Stroke
2 Port

PMC-5600D Series



Type 4 identified by Snap ring securing gland *cyl-pmc-5600d*

<u>KEY NO.</u>	<u>QTY.</u>	<u>PART NO.</u>	<u>DESCRIPTION</u>
1	1	A45H04-P	Butt and tube assembly
2	1	A-2043-8	Lock nut
3	1	PMAP-R-45	Piston ring
4	2	PMAP-O-45	O-ring
5	1	PMAP-W-45	Bu-washer
6	1	PMAP-O-19	O-ring
7	1	P4-1130	Piston
8	1	A45H03-P	Piston rod
9	1	GIC-3940	Gland
10	1	PMAP-O-32	O-ring
11	1	PMAP-W-32	Bu-washer
12	1	PMAP-VB-32	Wiper
13	1	TSR-400	Snap ring
	1	PMCK-5600D	Packing kit

HOW TO OPERATE THE W7B-20DC RIM

Note: This rim has been developed for 20" used truck tires up to and including 9.00-20 ten ply. However, many users have found it possible to mount 10.00-20 twelve ply tires. The following procedures should be followed:

Tools and Materials Required:

One Set Firestone Truck Tire Tools (48-A-200)
 One Pair Vise-Grip Pliers
 Lubricant (Avoid use of compound that contains water . . . or a solvent injurious to rubber — see your rim distributor)

MOUNTING:



1. Remove flap inasmuch as it is not required on the drop center rim mounting and it prevents mounting the tire. Check to see tube is in casing and inflated sufficiently to prevent sag below tire beads.



2. Place rim on floor with valve hole side up. Place tire over rim with valve stem pointing upwards. Force lower bead into well of rim as far as possible.



3. Lubricate last section of lower bead to facilitate mounting.



4. Using straight end of tool (with stop resting on rim flange) take small bites to work remaining section of lower bead onto rim.



5. Stand tire up with valve and valve hole at top of rim. Insert valve into valve hole.



6. To get top bead in place stand on tire and force bead down as far as possible and clamp vice grip pliers on the flange. (snub side toward tire). Using spoon end of tire iron with lug side towards rim, work progressively around bead using small bites until bead slips over flange onto rim base. In order to mount last 6" of bead it usually is necessary to insert second tire iron and lubricate the last bead portion.

DEMOUNTING:



1. Remove valve core to deflate and loosen tire from bead seat of rim on both sides. Lubricate upper bead of tire thoroughly. With stops toward rim, insert spoon ends of both tools about 10 inches apart. While standing on tire to hold bead in well, pull one tool back toward center of rim.



2. Hold first tool in position with one foot and pull second tool toward center of rim. Progressively work top bead off rim, taking additional bites if necessary.



3. Stand tire and tube in vertical position with valve at top of assembly and remove valve from valve hole. Then place valve at bottom of assembly and pull out upper portion of tube so it will not interfere with demounting the second bead. Lubricate second bead. At top of assembly insert straight end of tool between bead and back flange of rim at about a 45° angle. Turn tool so it is perpendicular to rim. Pry second bead off.

ELECTRIC WHEEL COMPANY-QUINCY, ILL.
 Division of the Firestone Tire & Rubber Company

Limited Warranty Statement

Ashland Industries Inc. warrants each new product to be free from defects in material and workmanship. This warranty is applicable only for the normal service life expectancy of the product or components, not to exceed **six consecutive months** from the date of delivery of the new Ashland Industries product to the purchaser, or the date the product is first put into service via a rental agreement or other means, whichever occurs first.

The major components of swivel hitches used on Industrial series scrapers are warranted for three consecutive months from the date of delivery of the new Ashland Industries product to the purchaser, or the date the product is first put into service via a rental agreement or other means, whichever occurs first, except those components described below.

Genuine Ashland Industries Inc. replacement parts and components will be warranted for 30 days from date of purchase, or the remainder of the original equipment warranty period, whichever is longer.

Under no circumstances will it cover any merchandise or components thereof, which in the opinion of the company, has been subjected to misuse, unauthorized modification, alterations, an accident or if repairs have been made with parts other than those obtained through Ashland Industries Inc.

Ashland Industries Inc. in no way warrants Tires since their respective manufacturer warrants these items separately. Please call Ashland Industries Inc. to receive phone numbers of tire suppliers.

Ashland Industries Inc. in no way warrants wearable items such as cutting edges, front dolly wheel balls, socket halves, rollers, bushings, yoke hitch pins, hitch bushings, etc..

Our obligation under this warranty shall be limited to repairing or replacing, free of charge to the original purchaser, any part that, in our judgement, shall show evidence of such defect, provided further that such part shall be returned within 30 days from the date of failure to Ashland Industries Inc. routed through the dealer and distributor from whom the purchase was made, transportation charges prepaid. Upon warranty approval proper credits will be reimbursed for transportation.

This warranty shall not be interpreted to render Ashland Industries Inc. liable for injury or damages of any kind or nature to person or property. This warranty does not extend to the loss revenue, extra labor cost associated with downtime, substitute machinery, rental or for any other reason.

Except as set forth above, Ashland Industries Inc. shall have no obligation or liability of any kind on account of any of its equipment and shall not be liable for special or consequential damages. Ashland Industries Inc. make no other warranty, expressed or implied, and, specifically, Ashland Industries Inc. disclaims any implied warrant or merchantability or fitness for a particular purpose. Some states or provinces do not permit limitations or exclusions of implied warranties or incidental or consequential damages, so the limitations or exclusion in this warranty may not apply.

This warranty is subject to any existing conditions of supply which may direct affect our ability to obtain materials or manufacture replacement parts.

Ashland Industries Inc. reserves the right to make improvements in design or changes in specifications at any time, without incurring any obligation to owners of units previously sold

No one is authorized to alter, Modify or enlarge this warranty nor the exclusion, limitations and reservations.