

Ashland

EARTHMOVERS



I-950

PARTS MANUAL

Ver. 0810



Ashland Industries Inc.
1115 Rail Drive
P.O. Box 717
Ashland, WI. 54806
Ph: 877-634-4622 Toll Free
Ph: 715-682-4622
Fx: 715-682-9717
www.ashlandind.com

MEMBER
CIMA
CONSTRUCTION INDUSTRY
MANUFACTURERS ASSOCIATION



ASHLAND SCRAPERS

Serial Number

WELCOME TO OUR NEW CUSTOMERS!

Thank you for your purchase of an Ashland scraper and the confidence you have placed in us to handle your earthmoving projects. Years of research, testing and successful application have been spent to ensure quality and maximum performance for our customers. Please read and understand this manual before attempting to attach or operate this scraper. This manual should always remain with the machine. Be sure and fill out and send in the owners registration form at the beginning of this manual, or you may fill out the form on-line by going to ashlandind.com and click on "Register your Machine" at the bottom of the page.

SCRAPER ID NUMBER

The serial number plate for the scraper is located on the right rear area of the scraper. The letter and numbers stamped identify the serial number, model number and capacity of the scraper. Please record this serial number for use in ordering parts, warranty issues and to trace your equipment if it is ever stolen.

References to serial number breaks on parts are located in the manual with a reference sequence of XXXXX-XXXXX. The beginning number records the serial number start of the use of that part. The ending number is the final serial number use of the part within this machine.



ASHLAND SCRAPERS

How to Order Parts

HOW TO ORDER PARTS:

IMPORTANT

Parts must be ordered through your local authorized ASHLAND dealer.

Be sure to state MODEL and SERIAL NUMBER of your machine, PART NUMBER, DESCRIPTION and QUANTITY needed.

Unless this is done, we cannot provide prompt service or assure shipment of the correct parts.



Ashland Industries weldable replacement parts are available to rebuild, modify or update your scraper to current factory specifications.

ASHLAND SCRAPERS

Operators and Maintenance

This scraper is a durable piece of equipment and with proper care will yield many years of trouble free operation. The scraper requires a power source with TWO 4 way (double acting) hydraulic control valves.

The scraper should be greased at all points where grease fittings are provided. Check the oil levels in the tractor hydraulic system and add to maintain the proper level. Care should be used when adding oil or when disconnecting any oil line to keep all dirt out of the oil as dirt is a major factor in the failure of hydraulic components.

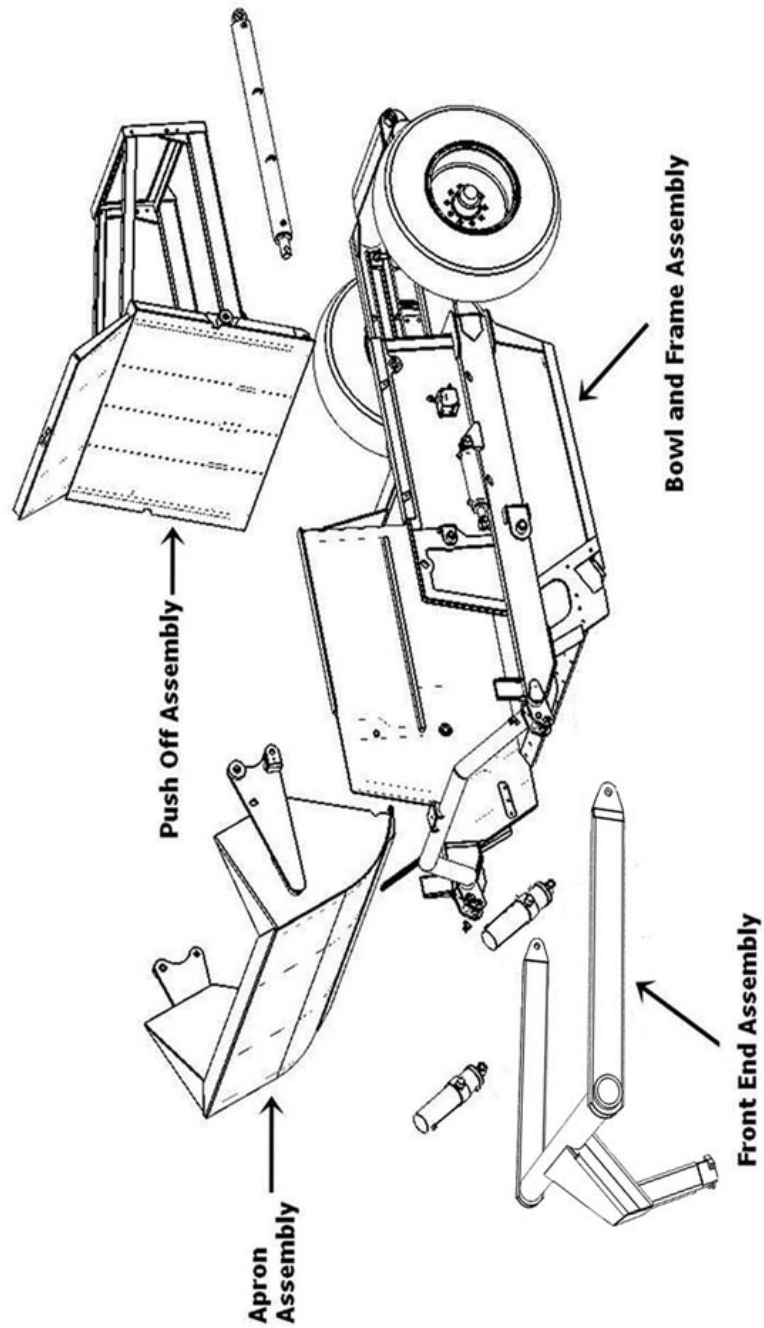
When the scraper is placed into operation, the operator will have to "feel out" the amount of depth of cut to obtain maximum loading efficiency. This is usually accomplished by taking a lesser and more uniform cut; however, some soil conditions such as loose sand may require a "pumping action" obtained by taking successive deep cuts and lifting out of cut as the tractor begins to lose power or traction.

1. After 10 hours work, all bolts should be checked and tightened if necessary.
2. Every 10 hours all grease fittings should be lubricated.
3. After 50 hours work, all bolts should be rechecked and tightened if necessary. Check wheel bearings and adjust if necessary.
4. After 300 hours work, clean and repack wheel bearings and replace, if necessary, cutting edges, worn pins, etc.

ASHLAND SCRAPERS

950 Assembly

SXL300A001



ASHLAND SCRAPERS

Safety Guidelines



GENERAL SAFETY GUIDELINES

Safety of the operator is one of the main concerns in designing and developing a new piece of equipment. Designers and manufacturers build in as many safety features as possible. However, every year many accidents occur which could have been avoided by a few seconds of thought and a more careful approach to handling equipment. You, the operator, can avoid many accidents by observing the following precautions in this section. To avoid personal injury, study the following precautions and insist those working with you, or for you, follow them.

Replace any CAUTION, WARNING, DANGER or instruction safety decal that is not readable or is missing. Location of such decals is indicated in this booklet.

Do not attempt to operate this equipment under the influence of drugs or alcohol.

Review the safety instructions in the operator's manual with all users annually.

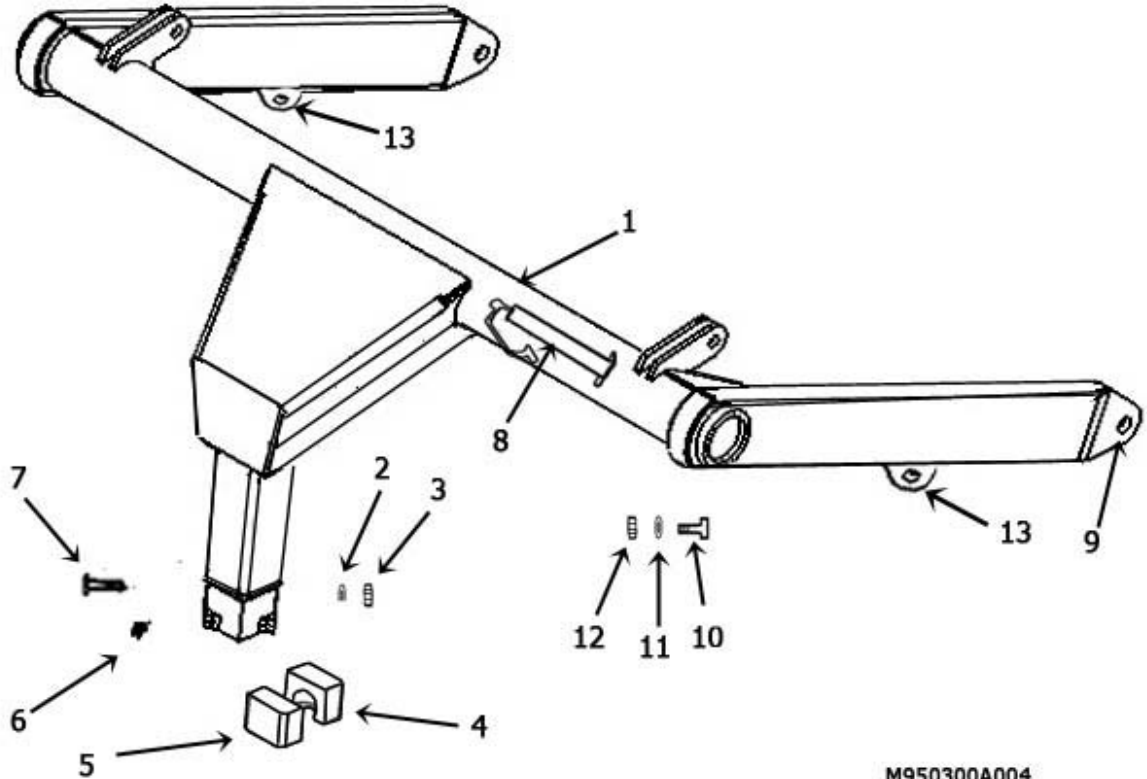
This equipment is dangerous to children and persons unfamiliar with its operation. The operator should be a responsible adult familiar with farm or construction machinery and trained in this equipment's operations. **Do not allow persons to operate or assemble this unit until they have read this manual and the owner's manual and have developed a thorough understanding of the safety precautions and how the machine works.**

To prevent injury or death, use a tractor equipped with a Roll Over Protective System (ROPS). Do not paint over, remove or deface any safety signs or warning decals on your equipment. Observe all safety signs and practice the instructions on them.

Never exceed the limits of a piece of machinery. If its ability to do a job, or to do so safely, is in question - **DON'T TRY IT.**

ASHLAND SCRAPERS

Gooseneck Frame Assembly (900-950)

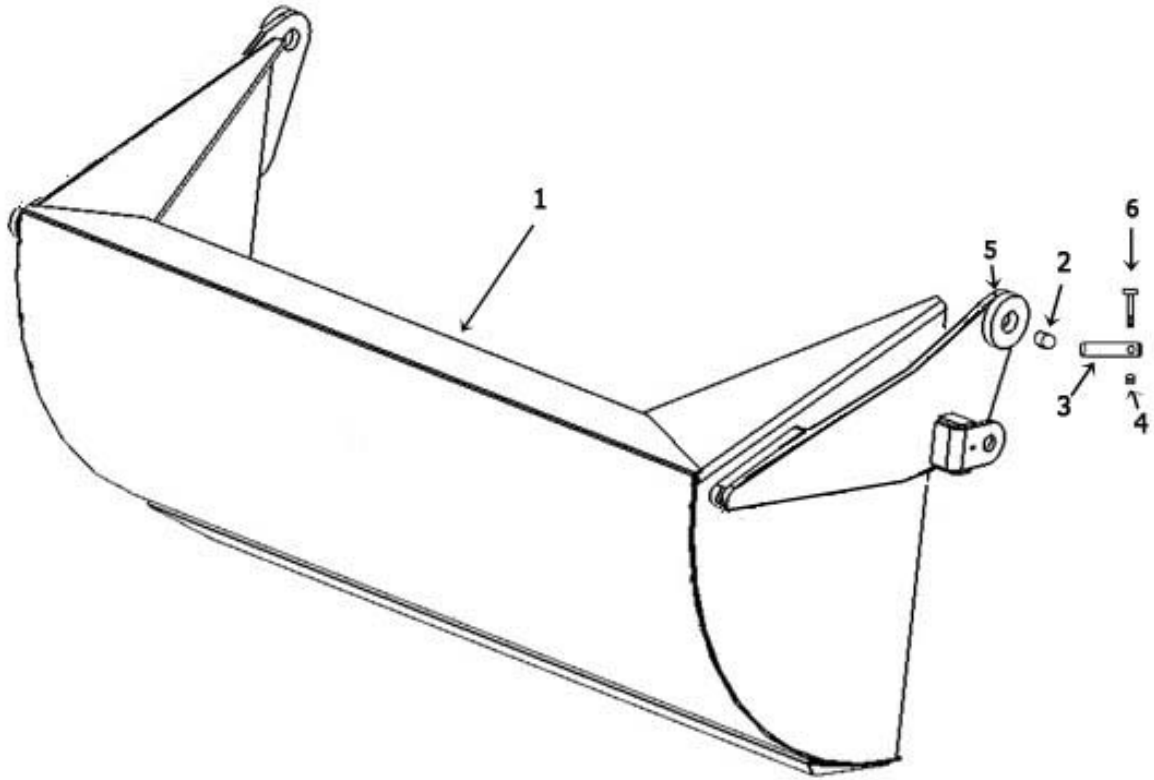


M950300A004

KEY	PART	DESCRIPTION	SN 950
1	600104	Gooseneck Frame (950)	22262-XXXXX
2	8110	Lock washer 5/8"	
3	7536	Nut, 5/8" NF	
4	A90004	Cast Socket half, rear	
5	A90005	Cast Socket half, front with zerk hole	
6	A2206	Grease Zerk, Long Shank	
7	AFB-00043	Bolt, 5/8" x 4 1/2" NF	
8	OPT-00001	Hitch Jack	
9	AHF-00028	Grease Fitting 90° 1/8 NPT	
10	AFB-00018	Bolt: 1"NC X 3" Gr 8	
11	AFW-00001	Washer 1" Flat	
12	AFN-00012	Nut: 1" NC Gr 8	

ASHLAND SCRAPERS

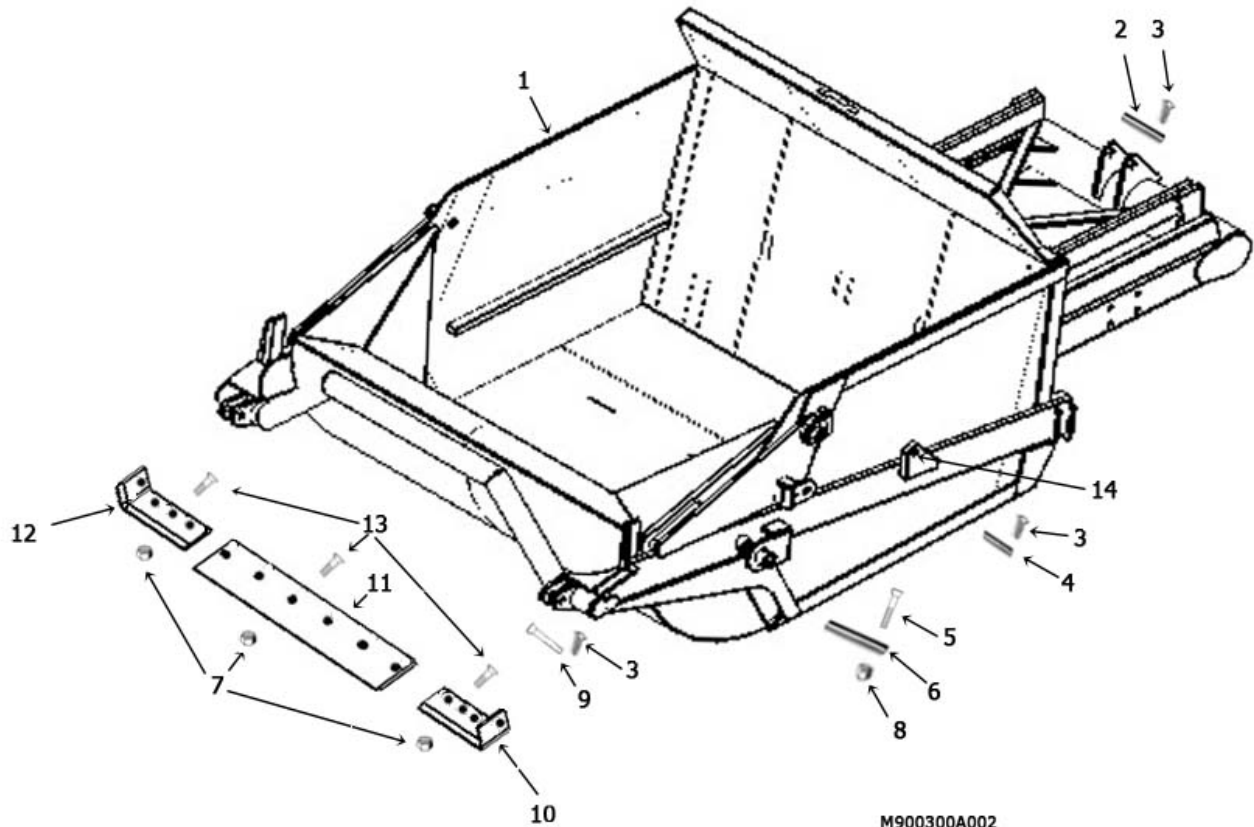
Apron Assembly (950)



M950300A001

KEY	PART	DESCRIPTION	SN 950
1	600125	Apron	22395-XXXXX
2	A123343	Bushing: 2" OD X 1 1/2 ID X 1 3/4 L	
3	A123337	Pin: 1 1/2" X 5 3/8" L	
4	7450	Nut: 3/8 NC	
5	14505	Grease Fitting	
6	AFB-00049	Bolt: 3/8 NC X 3"	

Bowl & Frame Assembly (900-950)



M900300A002

Blade Bolts Required:

		Qty
A8030	PB8P-NC-063-0200	(6)
A8029A	PB8P-NC-063-0200	(4)
A8031A	PB8P-NC-063-0200	(4)

KEY	PART	DESCRIPTION
1	A9055	Bowl and Frame 900-950
2	A8062	Pin, 1-1/4" x 7"
3	AFP-00002	Cotter Pin, 3/16" X 1 3/4"
4	A1217	Pin, 1" x 3-1/2"
5	AFB-00054	Bolt: 1/2" NC X 3 1/2"
6	A8056	Pin, 1-3/4" x 7-3/4"
7	7530	Nut: 5/8" NC
8	AFN-00011	Nut: 1/2" NC
9	A10168	Pin: 1/1/8" X 4 1/4"
10	A8031A	Left Cutting Edge



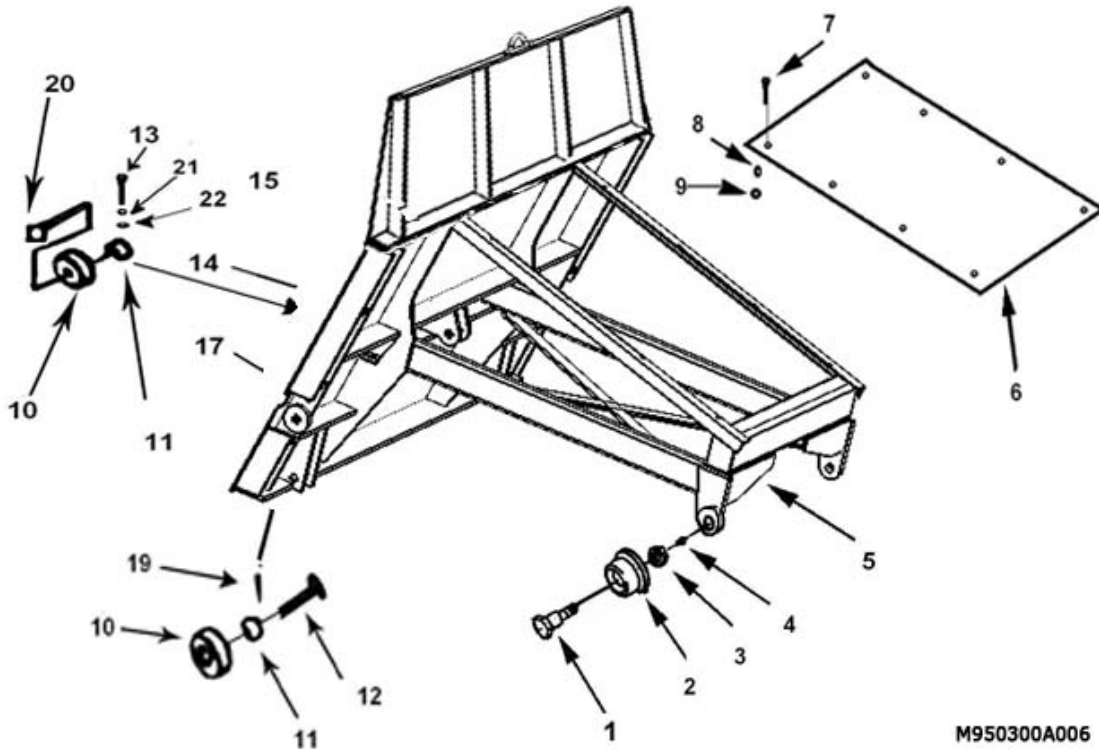
PHONE : 715-682-4622 Fax: 715-682-9717

ASHLAND SCRAPERS

Bowl & Frame Assembly (900-950)

KEY	PART	DESCRIPTION
11	A8030	Center Cutting Edge
12	A8029A	Right Cutting Edge
13	PB8P-NC-063-0200	Plow Bolt, 5/8" x 2"
14	14505	Grease Fitting, 1/8 UPT

Push Off Assembly (900-950)



M950300A006

KEY	PART	DESCRIPTION
1	A10008	Shoulder Pin, 1 5/8" to 1 1/4" with zerk in threaded end
2	A123306	Roller, gate rear with flange type
3	AFN-00024	Jam Nut, 1 1/4" NF
4	14505	Grease Fitting, 1/8" NPT straight
5	A9056	Push Off Gate
6	A9058	Dirt Shield
7	AFB-00015	Bolt: 1/2" NC X 1 1/2"
8	8100	Lockwasher, 1/2"
9	AFN-00011	Nut, 1/2" NC
10	A10164	Roller: 4 1/4 OD x 1 3/4 ID
11	A10163	Bushing: 1 3/4" OD X 1 1/4" ID
12	A6007A	Pin: 1 1/4" X 4 1/8" Lg.
13	7036	Bolt: 1/2 NC X 2 Gr 8
14	A125020	32" Greaseline
15	A123323-40	Double Hole Tab
16	A125026	Bulkhead Nut



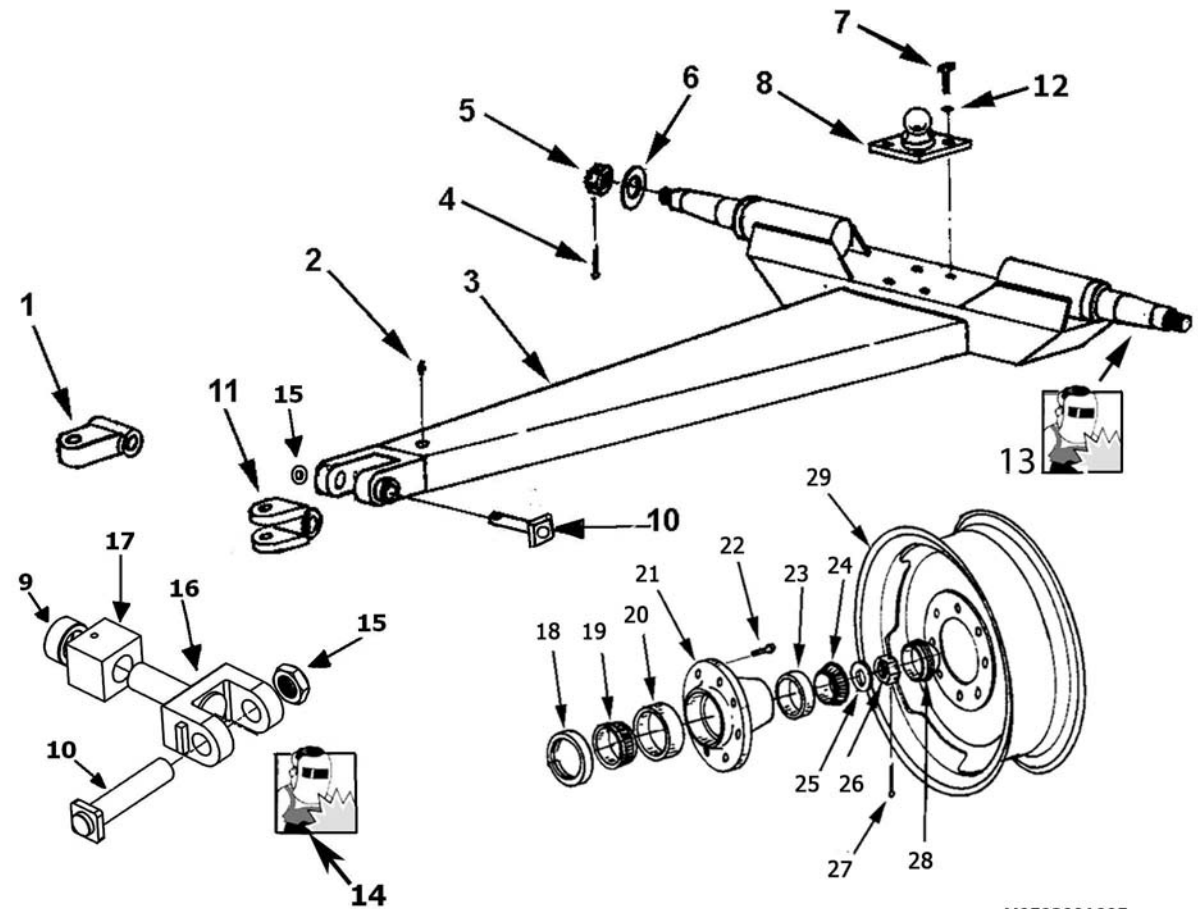
PHONE : 715-682-4622 Fax: 715-682-9717

ASHLAND SCRAPERS

Push Off Assembly (900-950)

KEY	PART	DESCRIPTION
17	A125021	54" Greaseline
18	A125019	Grease Fitting 1/4 - 28: 54 L
19	AFP-00001	Cotter Pin: 1/4 X 3 Lg.
20	A123288	Pin: 1 1/4 X 3 1/4 Tab Head
21	8100	1/2" Lockwasher
22	7500	Nut: 1/2 NC

Pole & Axle Assembly (900-950)



M950300A005

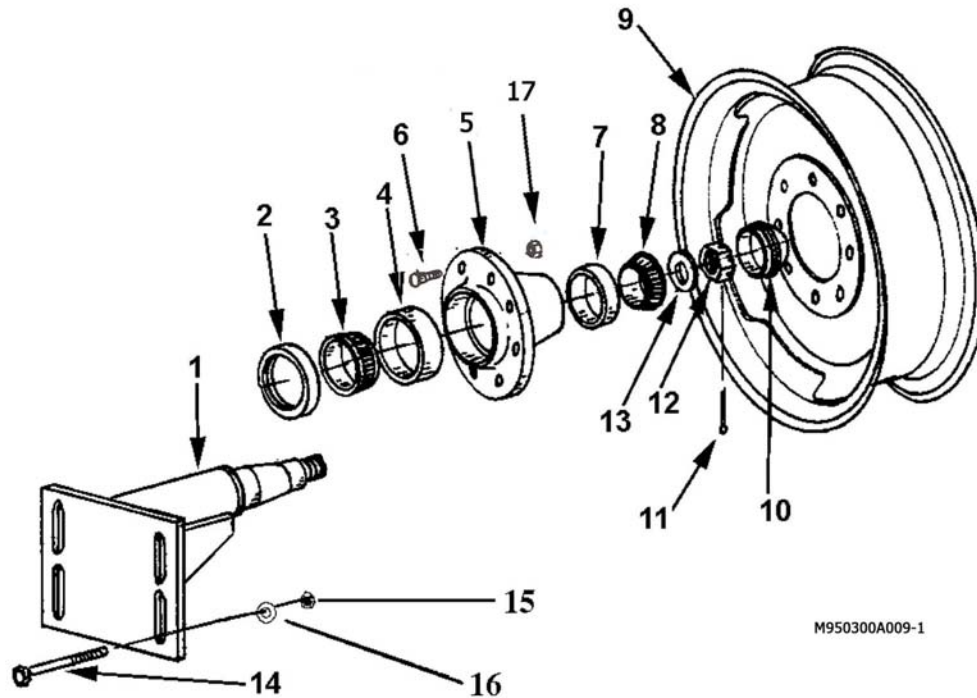
KEY	PART	DESCRIPTION
1	A10033A	Single Lip Hitch
2	14505	Grease Fitting, 1/8 NPT
3	A9059	Pole
4	AFP-00002	Cotter Pin, 3/16" X 1 3/4"
5	AFN-00010	Nut, castellated, 1 1/4" NF
6	A8027	Washer, special, 1 1/4" flat
7	AFB-00005	Bolt, 3/4" NC X 2 1/2" L
8	A40006	Ball Swivel
9	A030568-01	Hitch Collar
10	600053	Pin, Swivel Hitch
11	A10033	Double Lip Clevis Hitch
12	AFW-00002	Lockwasher, 3/4"
13	A9062	Weld, Spindle Blank
14	A031076W	Yoke Hitch Rebuild Kit (Containing items: 9,10,15,16,17)
15	500433	Nut: Jam
15	A123232-3	Hitch: Yoke Assembly
16	A030168-3A	Swivel Yoke Assembly
17	A030568-1	Swivel Block
17	A123232-1	Hitch: Retaining Collar
18	A8020	Grease Seal (CR 35062)
19	A9061	Bearing Cone, inner
20	A8022	Bearing Cup, inner

ASHLAND SCRAPERS**Pole & Axle Assembly (900-950)**

KEY	PART	DESCRIPTION
21	A8023	Hub
22	A4519	Wheel Bolt, 9/16" NF
23	A8024	Bearing Cup, outer
24	A8025	Bearing Cone, outer
25	A8027	Spindle washer, special
26	AFN-00005	Spindle Nut
27	AFP-00002	Cotter Pin, 3/16" X 1 3/4"
28	A8026	Hub Cap
29	A6022A	Wheel, 16.1 X 11" DC

ASHLAND SCRAPERS

Wheel Assembly (900-950)

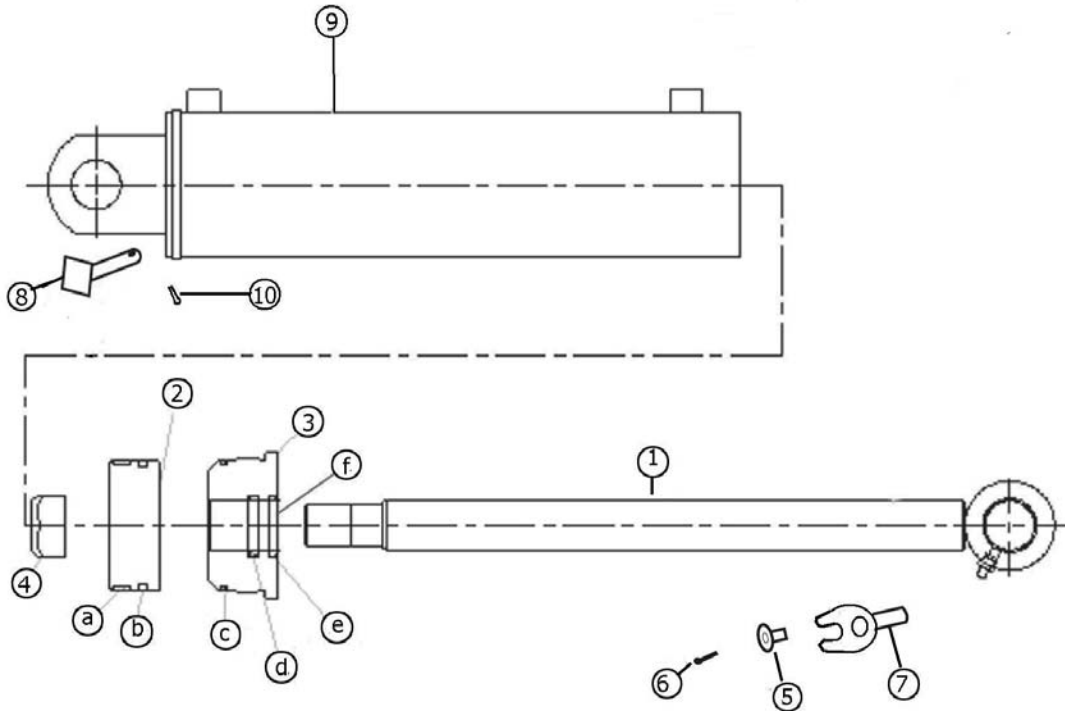


M950300A009-1

KEY	PART	DESCRIPTION	SN 950
1	A9060	Spindle, Rear with flange base plate	
2	A8020	Grease Seal (CR 35062)	
3	A9061	Bearing Cone, inner	
4	A8022	Bearing Cup, inner	
5	A125319	Hub	22410-XXXXX
5	A8023	Hub	XXXXX-22409
6	A125320	Stud: Wheel 5/8"	22410-XXXXX
6	A4519	Wheel Bolt, 9/16" NF	XXXXX-22409
7	A8024	Bearing Cup, outer	
8	A8025	Bearing Cone, outer	
9	A6022A	Front Wheel 16.1 X 11" DC	
9	A6023	Rear Wheel 24" x 15"	
10	A8026	Hub Cap	
11	AFP-00002	Cotter Pin, 3/16" x 1-3/4"	
12	AFN-00005	Spindle Nut	
13	A8027	Spindle washer, special	
14	AFP-00001	Bolt, 1" NC x 6-1/2" long	
15	AFN-00012	Nut, 1" NC	
16	AFW-00001	Flat Washer, 1"	
17	A125321	Nut: Wheel 5/8"	22410-XXXXX

ASHLAND SCRAPERS

Apron Cylinder (#A125050) 4" X 13"

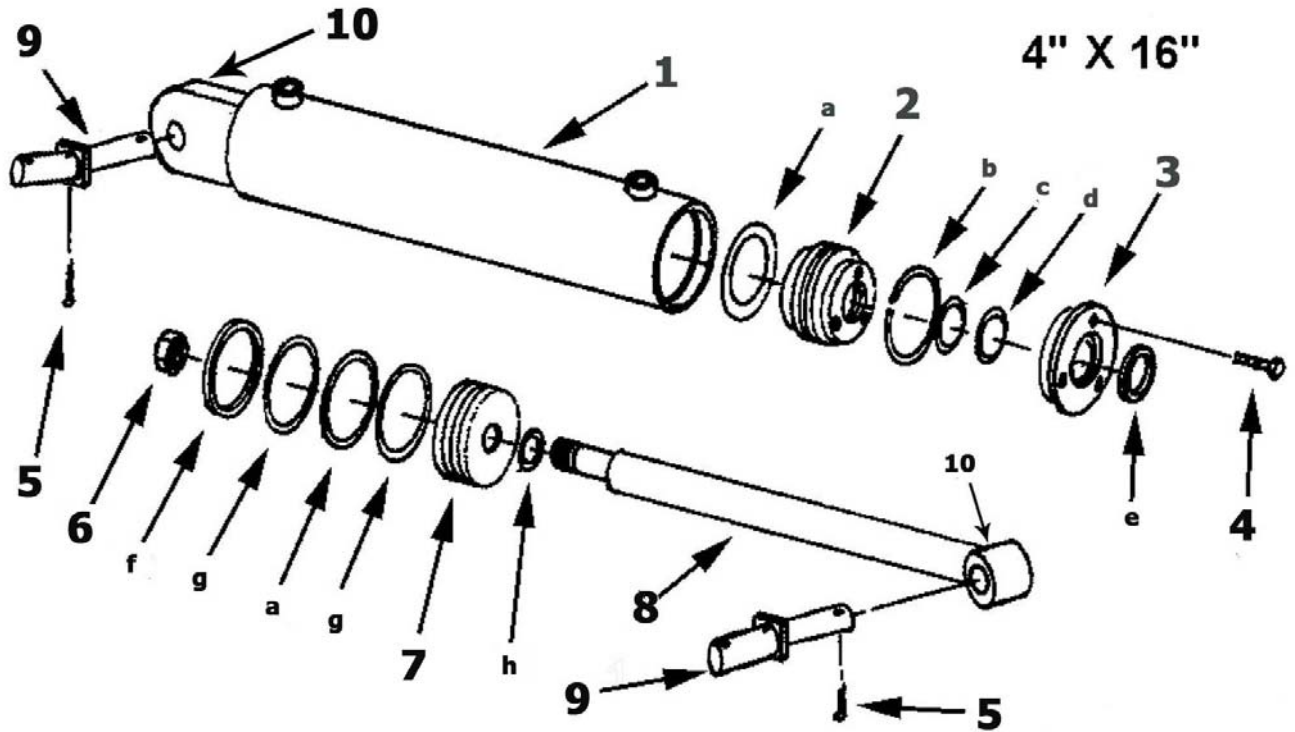


A350P004

KEY	PART	DESCRIPTION	SN 950
1	A125050-01	Rod 1-3/4" with welded eye	22395-XXXXX
2	A125050-02	Piston	22395-XXXXX
3	A125050-03	Gland, Threaded	22395-XXXXX
4	A125050-04	Lock Nut, 1-1/8" NF	22395-XXXXX
5	A123351	Pin Keeper Bushing	22395-XXXXX
6	AFB-00019	1/2" x 1 1/2" Gr 8 Bolt	22395-XXXXX
7	A123362	Pin: Cyl. Rod End 1 1/2 X 4 1/2 w/ Tab	22395-XXXXX
8	A123363	Pin: Cyl. Base End 1 1/2 X 4 1/8"	22395-XXXXX
9	A125050-06	Cylinder Barrel	22395-XXXXX
10	8602	Cotter Pin: 1/4 X 2	22395-XXXXX
	A125050-05	Seal Kit Containing (a-f)	22395-XXXXX
a		Nylon Wear Ring	22395-XXXXX
b		FSP Seal	22395-XXXXX
c		O-Ring	22395-XXXXX
d		Backup Washer	22395-XXXXX
e		Hallite Rod Seal	22395-XXXXX
f		Snap in Rod Wiper	22395-XXXXX

ASHLAND SCRAPERS

Lift Cylinder (#A416H114) 4" X 16"

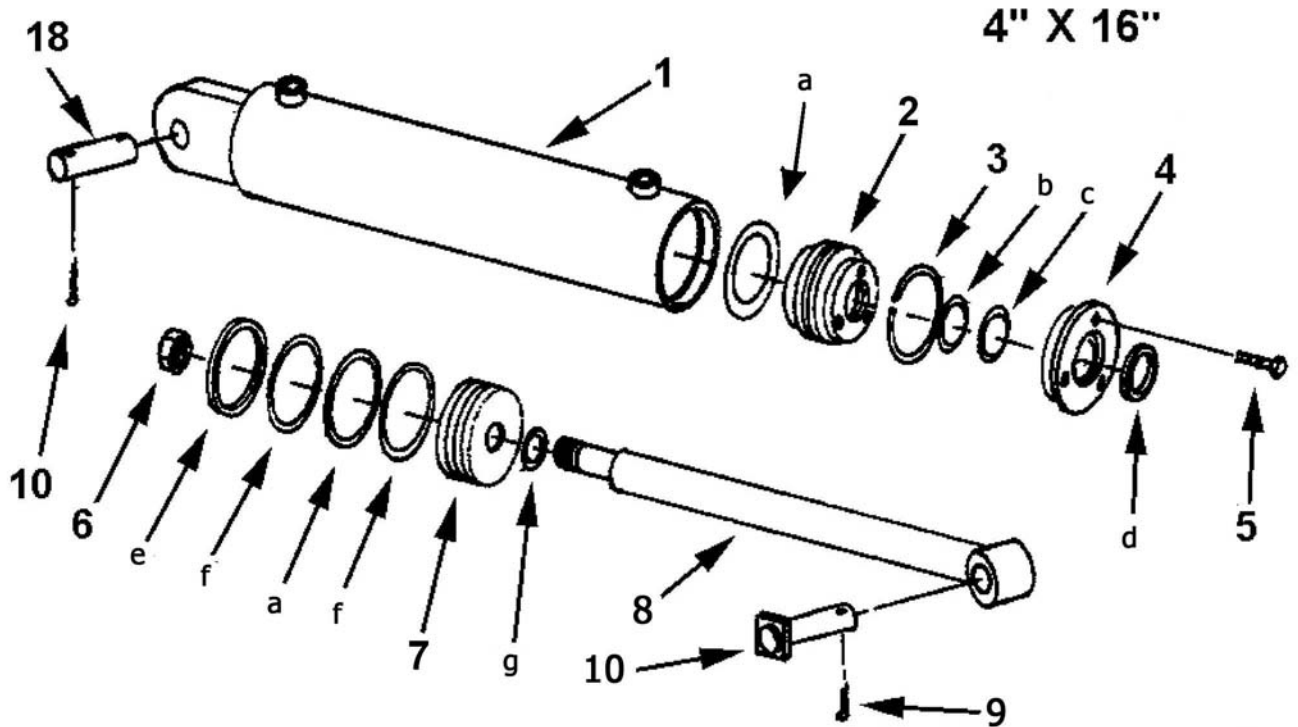


M110X350P001

KEY	PART	DESCRIPTION
	A300H14B	Cylinder Seal Kit, containing: (a-g)
a		O-ring, 4" OD x 3/16"
b		Retainer Ring
c		O-Ring 1 1/2" ID X 1/8"
d		Backup Washer
e		Wiper Seal
f		Backup Washer, 4" OD
g		Cast Iron Ring

ASHLAND SCRAPERS

Lift Cylinder (#A416H118) 4" X 16"

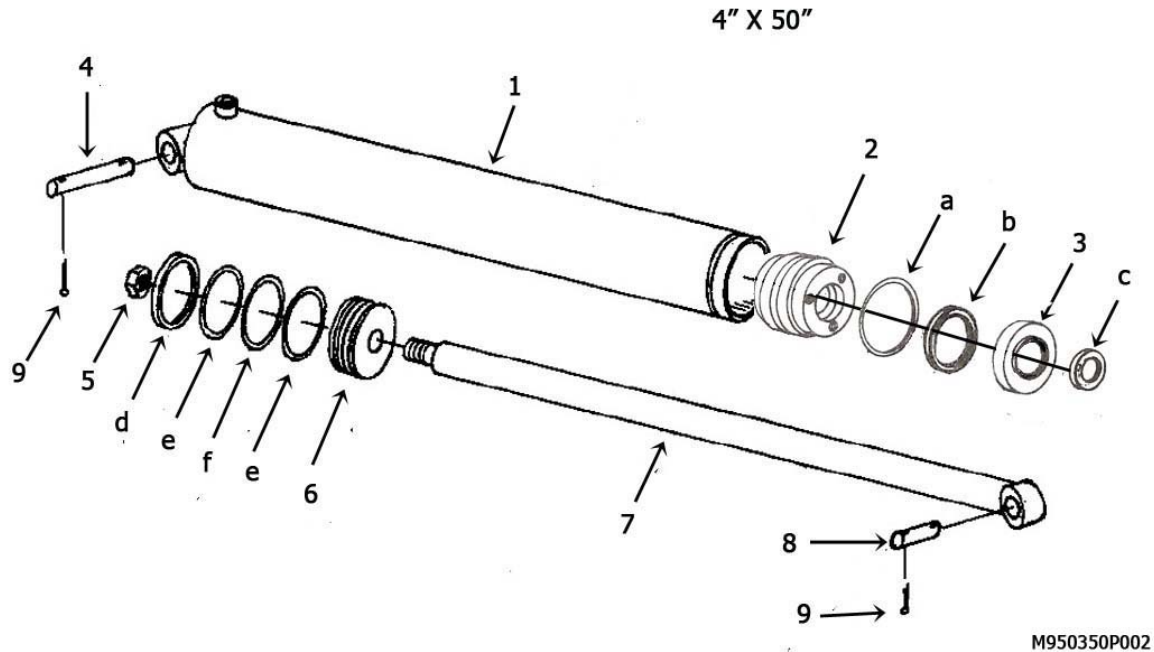


M950350P001

KEY	PART	DESCRIPTION
1	A45H04	Barrel Assembly
2	A300H11	Head Gland
3	A300H13	Head Cap
4	A22H18	Capscrew, 1/4" x 1"
5	AFP-00003	Cotter Pin, 3/16" X 1 1/2"
6	A300H03	Piston Nut
7	A300H07	Piston, 4"
8	A45H03-118	Shaft, 1-1/2" diameter
9	A45003	Pin, 1-1/8" x 3-1/4"
10	A10168	Pin, 1-1/8" x 4-1/4"
11	14505	Grease Fitting
	A300H14B	Cylinder Seal Kit ,containing: (a-g)
a		O-ring, 4" OD x 3/16"
b		Retainer Ring
c		O-Ring 1 1/2" ID X 1/8"
d		Backup Washer
e		Wiper Seal
f		Backup Washer, 4" OD
g		Cast Iron Ring

ASHLAND SCRAPERS

Push Off Cylinder (#A125111) 4" x 50"

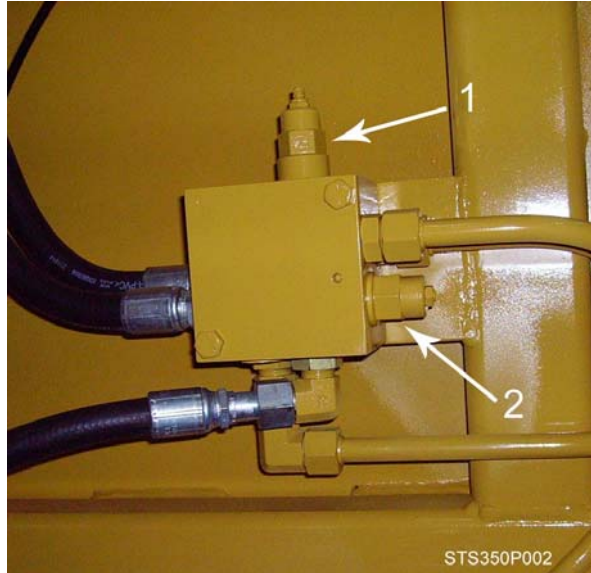


M950350P002

KEY	PART	DESCRIPTION
1	A123424	Barrel Assembly
2	A123425	Head Gland
3	A123426	Collar
4	A8062	Pin, 1-1/4" x 7"
6	A400H17	Piston Nut, 1-1/4" NF
6	A80H27	Piston
7	A90H26	Rod Assembly
8	A8061	Pin, 1-1/4" x 4-3/4"
9	8602	Cotter Pin, 1/4" x 2"
		Seal Kit Containing (a-f)
a		O-ring, 4" OD x 1/8"
b		Seal: U-Cup
c		Wiper Seal, 2" ID
d		Cast Iron Ring, 4" OD
e		Backup Washer, 4" OD
f		O-ring, 4" OD x 3/16"
32	AFB-00075	Bolt: 1 1/4 NF X 5

ASHLAND SCRAPERS

Hydraulic Manifold (#A125174)



KEY	PART	DESCRIPTION
1	A125162-02	PUSHOFF SEQUENCE CARTRIDGE
2	A125162-01	COUNTER BALANCE CARTRIDGE

SETTING THE APRON AND PUSHOFF VALVE

The manifold block containing the pushoff sequence valve cartridge and apron sequence valve cartridge is used to control two hydraulic circuits with one hydraulic remote. When the tractor hydraulic remote is activated, oil flows first to the apron cylinders until they are fully extended. Once the cylinders are fully extended, the apron circuits' hydraulic pressure begins to increase. Once the pressure threshold is surpassed (which is adjustable. See adjustment section), the sequence valve diverts the oil flow to the pushoff's hydraulic circuit. Once the push off is completely extended the operator then reverses the tractors hydraulic remote. The counterbalance valve will hold the apron open until the push off is fully retracted. The Apron sequence valve then opens and allows the apron to close.

Setting the valves:

STEP 1 PUSHOFF SEQUENCE VALVE

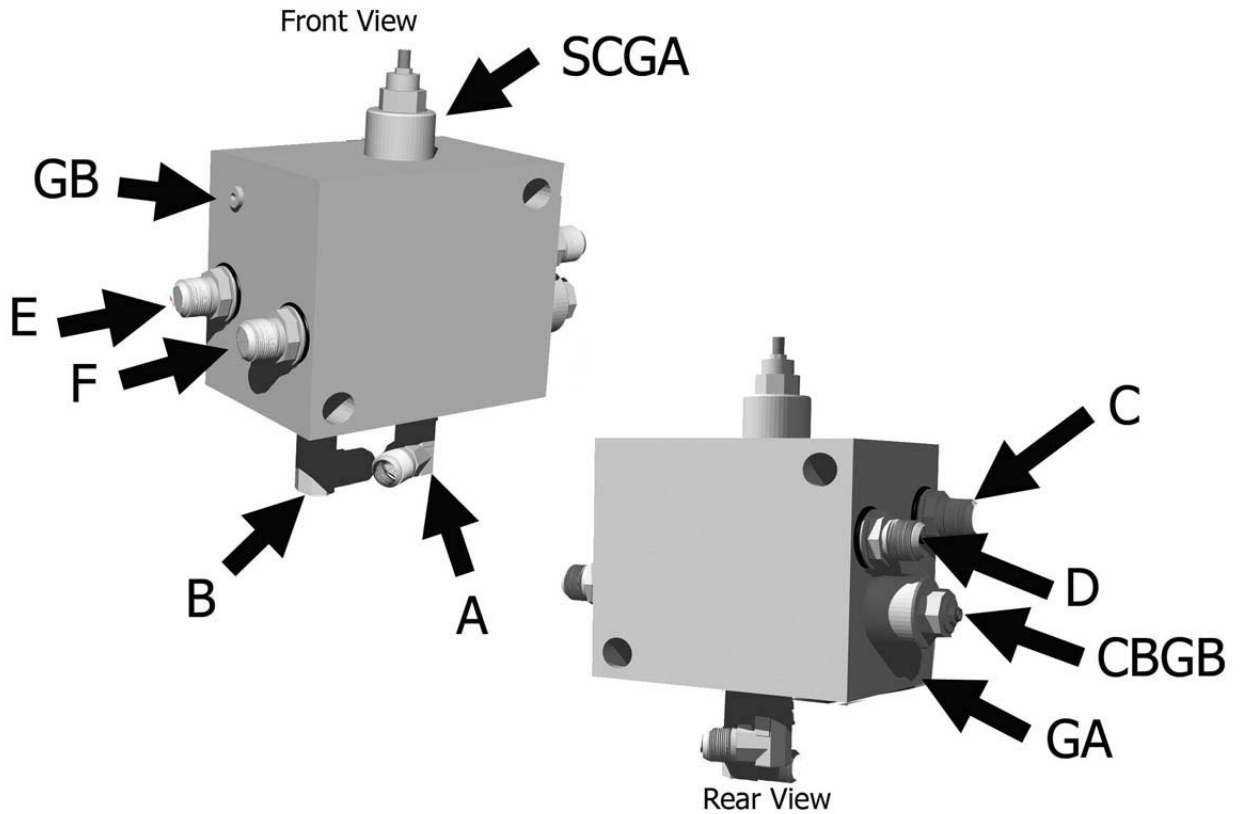
Loosen the lock nut (9/16") on the sequence valve cartridge. Turn the setscrew (4mm) clockwise until the front apron rises before the push-off begins to advance. (Earthmover should be empty) Turn the adjustment screw an additional 1/4 turn clockwise and tighten jam nut.

STEP 2 COUNTER BALANCE VALVE

Loosen the lock nut (9/16") on the counterbalance valve cartridge. Turn the setscrew (4mm) counter-clockwise until the apron holds in a raised position while rear gate is being retracted. Turn adjustment screw an additional 1/4 turn, tighten jam nut. DO NOT tighten adjusting screw more than necessary.

ASHLAND SCRAPERS

Hydraulic Valve Ports Assembly



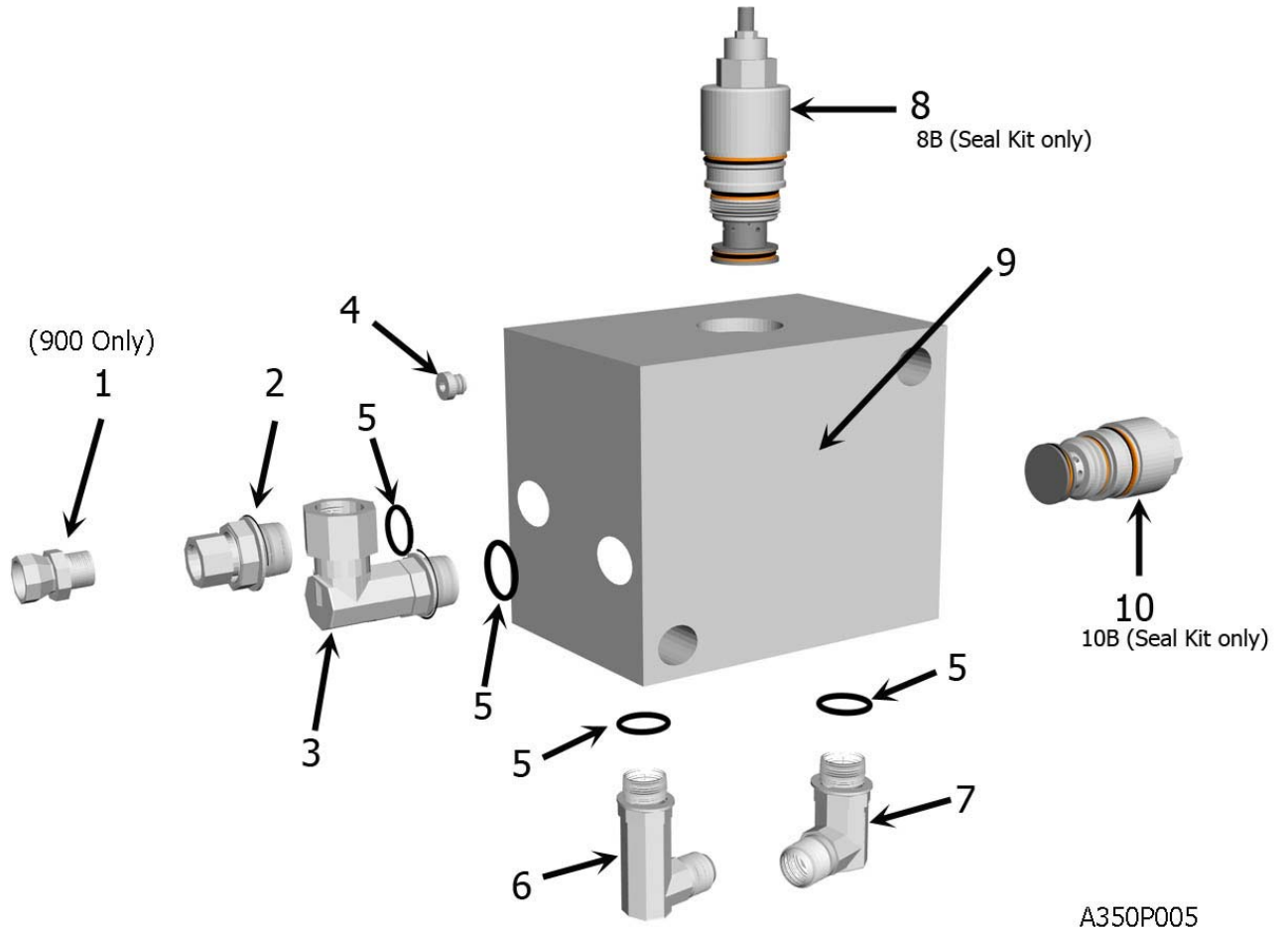
The lettering for the port locations are stamped on the block

A350P010

KEY	PART	DESCRIPTION
A		Supply Line
B		Pushoff Cyl. (Rod End)-Apron Cyl., Right side (Rod end)-Supply Line
C		Pushoff Cylinder, (Base End)
D		Apron Cylinder, Right side, (Base End)
D		Apron Cylinder, Right side, (Rod end)
E		Apron Cylinder, Left side, (Base end)
E		Apron Cylinder, Left side, (Rod End)
F		Apron Cylinder, Left side, (Base End)
F		Apron Cylinder, Left side, (Rod end)
CBGB		Counterbalance Valve, adjustable
SCGA		Sequence Valve, adjustable
GA		Pressure test port
GB		Pressure test port

ASHLAND SCRAPERS

Hydraulic Valve Seals

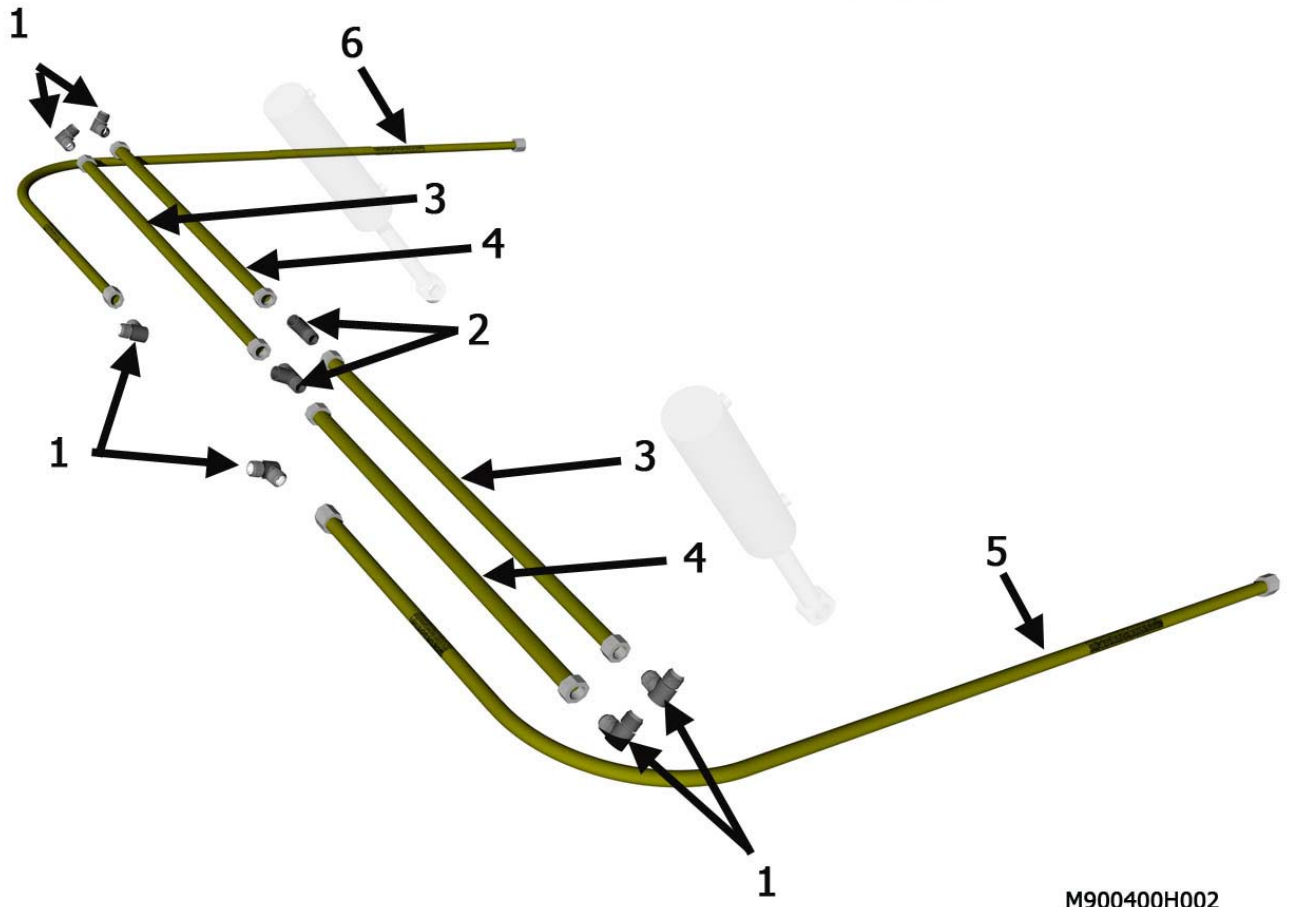


A350P005

KEY	PART	DESCRIPTION
1	AHA-00076	Adapter: Str. Swiv 1/2 MP X 1/2 FP, 109 Rest.
2	AHA-00043	Adapter: Str. Sw. 1 1/16 M ORB X 1/2 FP
3	AHA-00048	Adapter: 90 Deg. Swiv. 1 1/6 M ORB X 1/2 FP
4	AHA-00046	6 ORB Plug
5	AHS-00153	O-Ring for 12 M ORB Fitting
6	AHA-00047	Adapter: 90 Deg. XL 3/4 MJX 1 1/6 M ORB
7	AHA-00044	Adapter: 90 Deg. 3/4 MJ X 1 1/6 M ORB
8	A125162-02	Valve: Sequence Cartridge for Ver. III & IV
9	A125174	Valve: Manifold Block IV Body
10	A125162-01	Valve: Counterbalance Cartridge for Ver. III & IV
	A125162-01 KIT	Seal Kit for A125162-01 Valve Cartridge
	A125162-02 KIT	Seal Kit for A125162-02 Valve Cartridge

ASHLAND SCRAPERS

Hydraulic Plumbing Front (I-950)

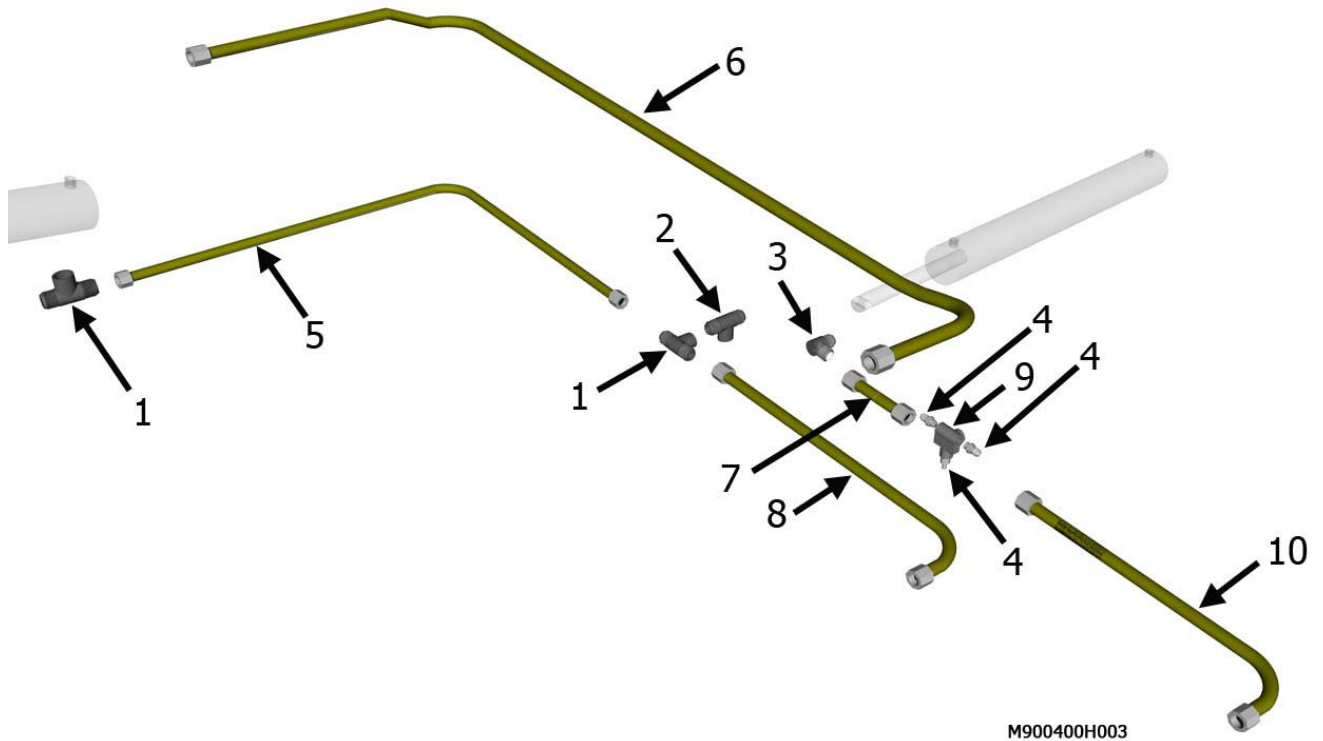


M900400H002

KEY	PART	DESCRIPTION
1	AHA-00019	Adapter: 90 Deg. 3/4 MJ X 3/4 MJ
2	AHA-00022	Adapter: T 3/4 MJ X 3/4 MJ X 3/4 MJ
3	A125063	Tube Assembly: 3/4" X 32 3/4"
4	A125064	Tube Assembly: 3/4" X 30 1/2"
5	A125272	Tube Assembly: I-900 Left Front Arm
6	A125273	Tube Assembly: I-900 Right Front Arm

ASHLAND SCRAPERS

Hydraulic Plumbing Rear (I-950)



M900400H003

KEY	PART	DESCRIPTION
1	AHA-00022	Adapter: T 3/4 MJ X 3/4 MJ X 3/4 MJ
2	AHA-00049	Adapter: T 3/4 MJ X 3/4 MJ X 3/4 FJ Swiv.
3	AHA-00019	Adapter: 90 Deg. 3/4 MJ X 3/4 MJ
4	AHA-00006	Adapter: Str. 3/4 MJ X 3/4 MP
5	A125060	Tube Assy: 3/4" X 77 3/4" W/ 12 JIC Nuts and Sleeve
6	A125182	Tube Assy:
7	A155-H21	Tube Assy:
8	A125183	Tube Assy:
10	A125184	Tube Assy:
9	AHV-00001	Valve: Pressure Relief (in-line)



PHONE : 715-682-4622 Fax: 715-682-9717

ASHLAND SCRAPERS

Hydraulic Hoses (I-950))

KEY	PART	DESCRIPTION
1	A900-H12	Hose Assembly: 1/2" x 19-1/2" Lift Cyl. Base End Port
2	A900-H11	Hose Assembly: 1/2" x 25" Lift Cyl. Rod End Port
3	A900-H10	Hose Assembly: 1/2" X 42" R. Tube - Front Arm
4	A900-H09	Hose Assembly: 1/2" x 25-1/2" R. Apr. Cyl. Rod End Port
5	A900-H08	Hose Assembly: 1/2" x 18" R.Apr.Cyl. Base End Port
6	A900-H21	Hose Assembly: 1/2" X 23" L. Apr. Cyl. Rear Tube
7	A900-H05	Hose Assembly: 1/2" X 17" PRV-Tube @ Bowl Rear
8	A900-H20	Hose Assembly: 1/2" X 16" L. Apron Cyl. Top Tube
9	A900-H26	Hose Assembly: 1/2" X 48" to Valve Block
10	A900-H25	Hose Assembly: 1/2" X 20" Valve Port to Tube @ Bowl L. Rear
11	A900-H06	Hose Assembly: 1/2" x 16" Tube - Push Off Cyl. Rod End
12	A900-H22	Hose Assembly: 1/2" X 20" Valve Port to D to Tube @ Bowl Rear
13	A900-H24	Hose Assembly: 1/2" X 50" P.O. Cyl. Base End Port
14	A900-H23	Hose Assembly: 1/2" X 21" Valve Port to C to Tube @ Bowl L.Rear

ASHLAND SCRAPERS
Decals Illustration (I-950)



↑
1



↑
2



↑



↑
3



↑

M950100SD002



PHONE : 715-682-4622 Fax: 715-682-9717

ASHLAND SCRAPERS

Decals

KEY	PART	DESCRIPTION
1	ADS-00001	Large Ashland
2	ADS-00002	Small Ashland
3	ADS-00037	I-950
9	ADS-00019	Grease
10	750464	High Pressure Fluid Hazard
11	ADS-00011	Pinch Point
16	ADS-00018	www.ashlandind.com

ASHLAND SCRAPERS

Maintenance Check list

1. Grease all zerks.
 - a) Every 8 hours of operation.
 - b) See Lubrication Points section on next page.

2. Greasing the hubs.
 - a) Re-pack wheel bearings after 600 hrs of operation.
 - b) Completely clean grease out of hub and bearings every 1200 hours of operation.

3. Check tire pressure.
 - a) 20.5 - 25, 12-ply tire requires a tire pressure of 35-40 psi on a rear machine, 40-50 on a front machine.

4. Check all pins for signs of wear.
 - a) Daily

5. Check wheel lug nut torque.
 - a) After first 2 hours of operation.
 - b) Recheck daily for next 2 weeks.
 - c) Tighten wheel lug nuts in a star pattern.
 - d) Torque wheel lug nuts to 450 ft-lbs.

6. Check and retighten all bolts.
 - a) After initial 10 hours of use.
 - b) Again after 50 hours of use.
 - c) See Torque Specifications on next page.

7. Inspect cutting edges.
 - a) Daily
 - b) Replace cutting edges when center blade has been worn to approximately 6" and side edges worn to approximately 4".



CAUTION! Failure to replace worn cutting edges may result in unnecessary wear to the earthmover sides and floor.

Note: Please specify left or right "L" shaped cutting edges when ordering replacements. Left or right side parts are determined by viewing from rear of the scraper.

ASHLAND SCRAPERS

Tire Service



The task of servicing tires and wheels can be extremely dangerous and should be performed by trained personnel only, using the correct tools and following specific procedures. Do not attempt to mount, demount or inflate a tire if you do not have the proper equipment and experience to perform the job. Call a qualified repair service to inspect the assembly and make necessary repairs. Failure to heed warnings could lead to serious injury or death.

Visually inspect tires and wheels daily. Carefully inspect any rim and tire assembly that has been run underinflated or flat before reinflating the tire to make sure there is no damage to either the rim or tire.

- ALWAYS wear personal protection equipment such as gloves, footwear, eye protection, hearing protection and head gear when servicing tire and wheel components.
- DO NOT operate with damaged rims, tire cuts or bubbles, missing lug bolts or nuts or damaged rims.
- ALWAYS maintain the correct tire pressure. NEVER exceed recommended tire inflation pressure.
- INSPECT any rim and tire assembly that has been run flat or severely underinflated before reinflating the tire. Damage to the rim and tire may have developed.
- NEVER inflate a tire that has lost air pressure or has been run flat without determining and correcting the problem.
- NEVER try to repair wheel, rim, or tire components parts. Parts that are cracked, worn, pitted with corrosion, or damaged must be discarded, and replaced with good parts.
- ALWAYS use approved tire and rim combinations for the model scraper that you have and verify that part numbers of components are correctly matched for the assembly.
- ALWAYS exhaust all air from the tire prior to demounting.
- ALWAYS place wheel and tire assemblies in restraining devices (safety cage) when inflating tires. Use a clip-on chuck and long extension hose to allow you to stand to the side of the tire and not in front of it.
- NEVER weld or cut on an inflated tire assembly. Welding heat can cause increased pressure which could result in tire explosion.
- ALWAYS use proper lifting techniques, and mechanized lifting aids to move heavy components and assemblies.
- NEVER leave a tire, wheel, or assembly unsecured in a vertical position.
- ALWAYS take care when moving tires and wheels that other people in the area are not endangered.

ASHLAND SCRAPERS

Torque Specifications

Bolt Diameter	Torque Ft-lbs
1/4	12
5/16"	25
3/8"	45
7/16"	70
1/2"	110
9/16"	150
5/8"	220
3/4"	380
7/8"	600
1"	900
1-1/8"	1280
Lug Nuts	750

LUBRICATION

1. Grease all zerks every 8 hrs of operation with high quality, general-purpose grease.
 - a) Grease until grease flows from around pin.

Lubrication Points (see III.)

1. Hitch – Horizontal and vertical pins.
2. Lift Cylinders – Rod end & Trunion; Both left & right sides.
3. Front Arm Pivot Joint – Both left & right sides.
4. Apron Cylinders – Rod clevis pin; Both left & right sides.
5. Apron Pivot Pin – Both left & right sides.
6. Hold-down Rollers – Both left & right sides.
7. Floor Rollers – Both left & right sides.
8. Tapered Rollers – Both left & right sides.

ASHLAND SCRAPERS

Troubleshooting

Introduction

With proper care and maintenance, your Ashland Scraper will give many years of reliable service. When a situation arises where the earthmover performance is not satisfactory, this section will give some pointers on finding and correcting the problem.

Grease zerk will not take grease.

1. Grease zerk plugged.
 - a) Remove and replace grease zerk.
 2. Pin is frozen.
 - a) Remove, clean, and inspect pin.
 - b) Replace pin if necessary.
 3. Bushing grease passage is not aligned with grease zerk.
 - a) Remove, clean, inspect, and realign bushing.
 - b) Replace bushing if necessary and realign.
-

Push-off rollers do not roll.

1. The rollers need lubrication.
 - a) Check zerk hole and grease.
 - b) Remove pin, clean, inspect, and replace if necessary.
 2. The roller bushing is worn out.
 - a) Remove roller assembly and replace bushing.
 - b) See parts manual.
-

Cylinders will not hold in preset position, i.e. the cylinder creeps.

1. Seals leaking internally.
 - a) Remove and replace seal kit.
-

Machine cuts unevenly.

1. Cutting edges worn unevenly.
 - a) Replace cutting edges.
 2. Improperly inflated tires.
 - a) Check air pressure in tires.
-



ASHLAND SCRAPERS

Warranty Statement

Limited Warranty Statement

Ashland Industries Inc. warrants each new product to be free from defects in material and workmanship. This warranty is applicable only for the normal service life expectancy of the product or components, not to exceed **six consecutive months** from the date of delivery of the new Ashland Industries product to the purchaser, or the date the product is first put into service via a rental agreement or other means, whichever occurs first.

The major components of swivel hitches used on Industrial series scrapers are warranted for three consecutive months from the date of delivery of the new Ashland Industries product to the purchaser, or the date the product is first put into service via a rental agreement or other means, whichever occurs first, except those components described below.

Genuine Ashland Industries Inc. replacement parts and components will be warranted for 30 days from date of purchase, or the remainder of the original equipment warranty period, whichever is longer.

Under no circumstances will it cover any merchandise or components thereof, which in the opinion of the company, has been subjected to misuse, unauthorized modification, alterations, an accident or if repairs have been made with parts other than those obtained through Ashland Industries Inc.

Ashland Industries Inc. in no way warrants Tires since their respective manufacturer warrants these items separately. Please call Ashland Industries Inc. to receive phone numbers of tire suppliers.

Ashland Industries Inc. in no way warrants wearable items such as cutting edges, front dolly wheel balls, socket halves, rollers, bushings, yoke hitch pins, hitch bushings, etc..

Our obligation under this warranty shall be limited to repairing or replacing, free of charge to the original purchaser, any part that, in our judgment, shall show evidence of such defect, provided further that such part shall be returned within 30 days from the date of failure to Ashland Industries Inc. routed through the dealer and distributor from whom the purchase was made, transportation charges prepaid. Upon warranty approval proper credits will be reimbursed for transportation.

This warranty shall not be interpreted to render Ashland Industries Inc. liable for injury or damages of any kind or nature to person or property. This warranty does not extend to the loss revenue, extra labor cost associated with downtime, substitute machinery, rental or for any other reason.

Except as set forth above, Ashland Industries Inc. shall have no obligation or liability of any kind on account of any of its equipment and shall not be liable for special or consequential damages. Ashland Industries Inc. make no other warranty, expressed or implied, and, specifically, Ashland Industries Inc. disclaims any implied warrant or merchantability or fitness for a particular purpose. Some states or provinces do not permit limitations or exclusions of implied warranties or incidental or consequential damages, so the limitations or exclusion in this warranty may not apply.

This warranty is subject to any existing conditions of supply which may direct affect our ability to obtain materials or manufacture replacement parts.

Ashland Industries Inc. reserves the right to make improvements in design or changes in specifications at any time, without incurring any obligation to owners of units previously sold.

No one is authorized to alter, Modify or enlarge this warranty nor the exclusion, limitations and reservations.

Ashland Industries Inc.
Warranty Department

Table of Contents

Categorized Listing

ASHLAND SCRAPERS	1
Serial Number	1
How to Order Parts	2
Operators and Maintenance	3
950 Assembly	4
Safety Guidelines	5
Gooseneck Frame Assembly (900-950)	6
Apron Assembly (950)	7
Bowl & Frame Assembly (900-950)	8
Push Off Assembly (900-950)	10
Pole & Axle Assembly (900-950)	12
Wheel Assembly (900-950)	14
Apron Cylinder (#A125050) 4" X 13"	15
Lift Cylinder (#A416H114) 4" X 16"	16
Lift Cylinder (#A416H118) 4" X 16"	17
Push Off Cylinder (#A125111) 4" x 50"	18
Hydraulic Manifold (#A125174)	19
Hydraulic Valve Ports Assembly	20
Hydraulic Valve Seals	21
Hydraulic Plumbing Front (I-950)	22
Hydraulic Plumbing Rear (I-950)	23
Hydraulic Hoses (I-950))	24
Decals Illustration (I-950)	25
Decals	26
Maintenance Check list	27
Tire Service	28
Torque Specifications	29
Troubleshooting	30
Warranty Statement	31

Table of Contents

9		
	950 Assembly	4
A		
	Apron Assembly (950)	7
	Apron Cylinder (#A125050) 4" X 13"	15
	ASHLAND SCRAPERS	1-31
B		
	Bowl & Frame Assembly (900-950)	8
D		
	Decals	26
	Decals Illustration (I-950)	25
G		
	Gooseneck Frame Assembly	6
H		
	How to Order Parts	2
	Hydraulic Hoses (I-950))	24
	Hydraulic Manifold (#A125174)	19
	Hydraulic Plumbing Front (I-950)	22
	Hydraulic Plumbing Rear (I-950)	23
	Hydraulic Valve Ports Assembly	20
	Hydraulic Valve Seals	21
L		
	Lift Cylinder (#A416H114) 4" X 16"	16
	Lift Cylinder (#A416H118) 4" X 16"	17
M		
	Maintenance Check list	27
O		
	Operators and Maintenance	3
P		
	Pole & Axle Assembly (900-950)	12
	Push Off Assembly (900-950)	10
	Push Off Cylinder (#A125111) 4" x	18
S		
	Safety Guidelines	5
	Serial Number	1
T		
	Tire Service	28
	Torque Specifications	29
	Troubleshooting	30
W		
	Warranty Statement	31
	Wheel Assembly (900-950)	14