



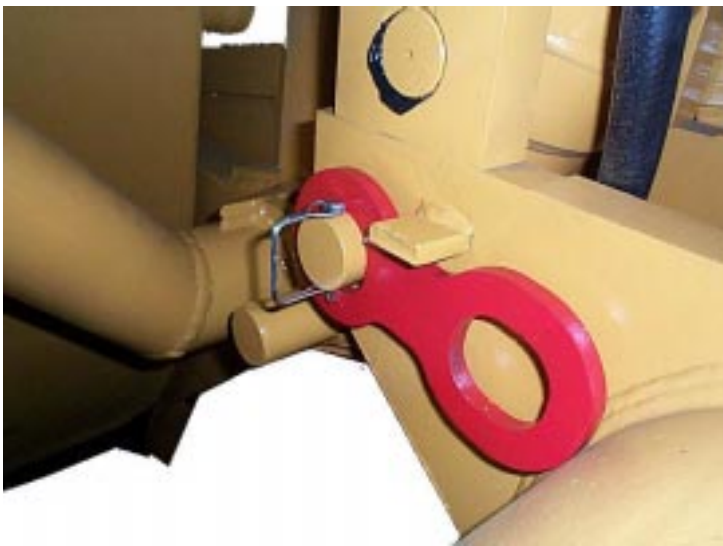
Quality Equipment since 1953

I-155-TS PARTS MANUAL



Ashland Industries Inc.
Hwy. 13 South
P.O. Box 717
Ashland, WI. 54806
877-634-4622 Toll Free - phone
715-682-4622 phone
715-682-9717 fax
www.ashlandind.com







HOW TO ORDER PARTS:

IMPORTANT

Parts must be ordered through your local authorized Ashland Industries dealer.

Be sure to state Model and Serial Number of your machine, part number, description and quantity needed.

Unless this is done, we cannot provide prompt service or assure shipment of correct parts.

INDEX

Page 4.	Operators and Maintenance Instructions
Page 5.	Transport Lock-up Links
Page 6.	Illustration and Parts List - Super Duty Swivel Hitch S/N 20496+
Page 7.	Illustration and Parts List - Swivel Hitch S/N upto 20495
Page 8.	Illustration and Parts List - Apron Assembly
Page 9.	Illustration and Parts List - Front End Assembly to S/N 20411
Page 10.	Illustration and Parts List - Front End Assembly from S/N 20412
Page 11.	Illustration - Bowl and Frame
Page 12.	Parts List - Bowl and Frame
Page 13.	Illustration and Parts List - Push Off Gate Assembly
Page 14.	Illustration and Parts List - Rear Wheel and Hub Assembly to S/N 20495
Page 15.	Illustration and Parts List - Rear Wheel and Hub Assembly from S/N 20496
Page 16.	Illustration and Parts List - Apron Cylinder 4" X 13"
Page 17.	Illustration and Parts List - Lift Cylinder 5" X 20"
Page 18.	Illustration - Push Off Cylinder 5" x 60"
Page 19.	Parts List - Push Off Cylinder 5" x 60"
Page 20.	Illus. - Hydraulic Plumbing, Front Unit (Dual Hyd.), Front Section
Page 21.	Illus. - Hydraulic Plumbing, Front Unit, Rear Section to SN 20495
Page 22.	Illus. - Hydraulic Plumbing, Front Unit, Rear Section from SN 20496
Page 23.	Illustration - Hydraulic Plumbing, Rear Unit to SN 20495
Page 24.	Illustration - Hydraulic Plumbing, Rear Unit from SN 20496
Page 25.	Parts List - Hydraulic Plumbing
Page 26.	Illustration - Hydraulic Plumbing, Hoses, Front Unit to SN 20495
Page 27.	Illustration - Hydraulic Plumbing, Hoses, Front Unit from SN 20496
Page 28.	Illustration - Hydraulic Plumbing, Hoses, Front Unit to SN 20495
Page 29.	Illustration - Hydraulic Plumbing, Hoses, Front Unit from SN 20496
Page 30.	Parts List - Hydraulic Plumbing, Hoses
Page 31-32	Sequence Valve Detail and Adjustment Procedures
Page 33-36	Service Manual Appendix
Page 37	Pushing with Small Dozer
Page 38-39	Troubleshooting
Page 40.	Warranty Statement

OPERATORS AND MAINTENANCE INSTRUCTIONS

The scraper is a durable piece of equipment and with proper care will yield many years of trouble free operation. The scraper requires a power source with TWO 4 way (double acting) hydraulic control valves.

The scraper should be greased at all points where grease fittings are provided. Connect hydraulic hoses to the tractor and retract lift cylinders to remove transport Links, then extend and retract all cylinders several times to force out any air from the hydraulic cylinders and lines. Check the oil levels in the tractor hydraulic system and add to maintain the proper level. Care should be used when adding oil or when disconnecting any oil line to keep all dirt out of the oil as dirt is a major factor in the failure of hydraulic components.

When the scraper is placed into operation, the operator will have to "feel out" the amount of depth of cut to obtain maximum loading efficiency. This is usually accomplished by taking a lesser and more uniform cut. However, some soil conditions such as loose sand may require a "pumping action" obtained by taking successive deep cuts and lifting out of cut as the tractor begins to lose power or traction.

1. After 10 hours work, all bolts should be checked and tightened if necessary.
2. Every 10 hours all grease fittings should be lubricated.
3. After 50 hours work, all bolts should be rechecked and tightened if necessary. Check wheel bearings and adjust if necessary.
4. After 300 hours work, clean and repack wheel bearings and replace, if necessary, cutting edges, worn pins, etc..
5. Tighten all wheel bolts after first two hours use. Check daily for two weeks. Keep torqued to 750 ft. lbs..
6. Maintain tire pressure at 45 to 50 psi.

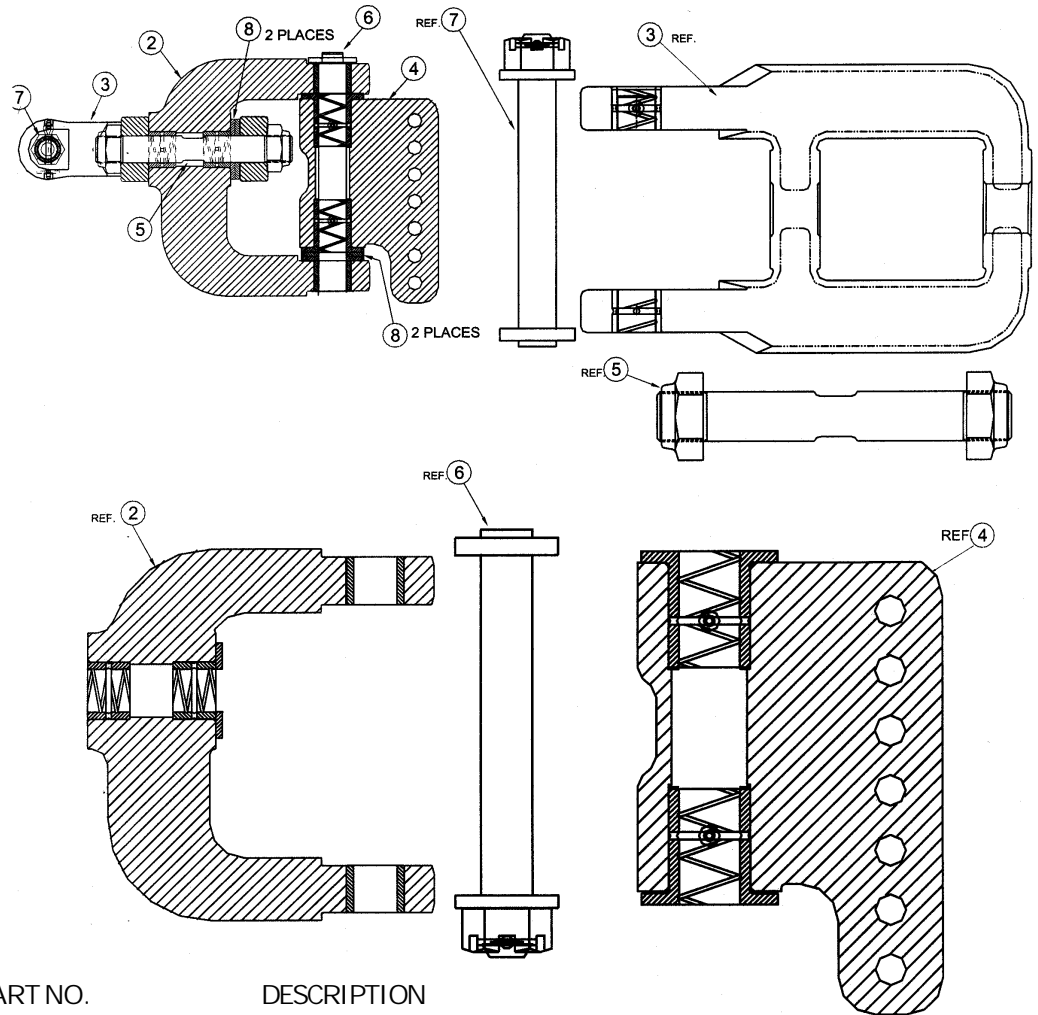


Transport Lock Links
I-155 TS
Serial Number 20521 and above



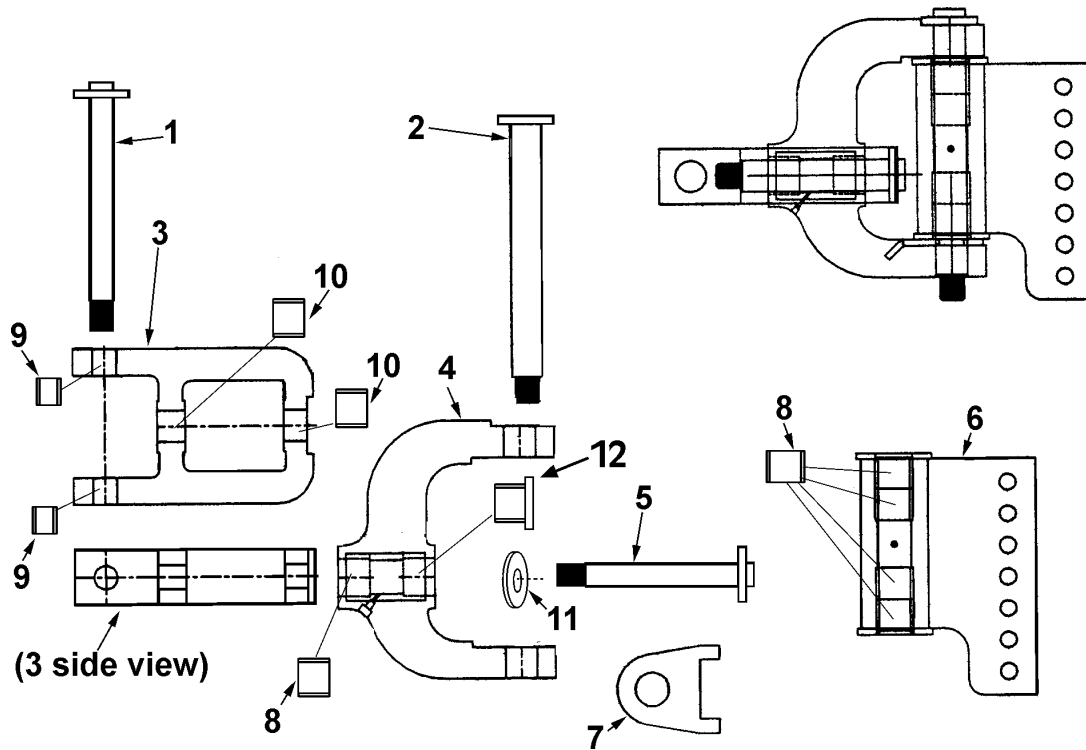
KEY NO.	PART NO.	DESCRIPTION
1.	A125006	Pin, Safety Snap Pin
2.	A123309-83	Link, Transport Lock, Red

SUPER SWIVEL HITCH ASSEMBLY

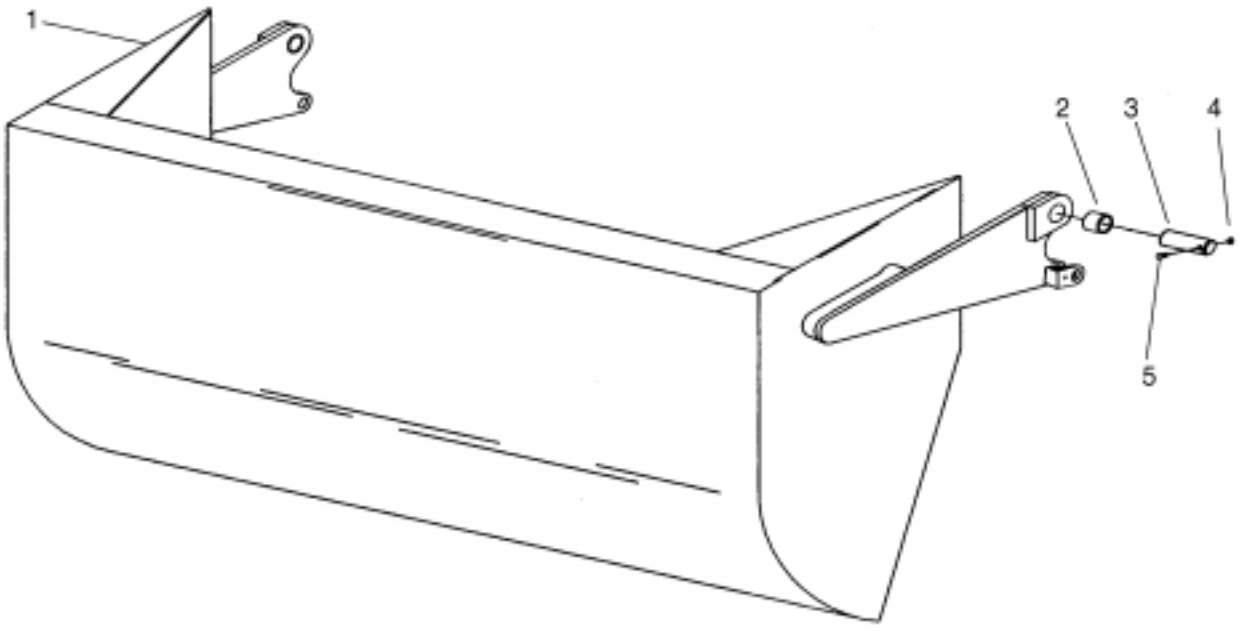


KEY NO.	PART NO.	DESCRIPTION
1.	A1063527	Super Yoke hitch, Includes 2 & 3, (w/o 4,6,7 & 1 ea. of 8) (Required 1)
2.	A1062280	Rear Super Yoke, Assembly (1 required)
	A1063177	Bushing (2 required)
	A1063144	Bushing, Spiral (2 required)
3.	14505	Fitting, Grease (2 required)
	A1063281	Front Super Yoke, Assembly (1 required)
	A1063145	Busing, Spiral (2 required)
4.	14505	Fitting, Grease (2 required)
	A1063282	Pivot Pin Housing, Assembly (1 required)
	A1063143	Bushing, Spiral (2 required)
5.	14505	Fitting, Grease (2 required)
	A1063283	Pin, Horizontal Assembly with Nuts (1 required)
	A1063212	Pin only (1 required)
6.	A1044362	Nut, Lock Nylon, 2-12 UNF (2 required)
	A1063284	Pin, Vertical Assembly with nut,wash,c.pin (1 required)
	A1063214	Pin only (1 required)
	A1063259	Washer (1 required)
7.	ARF03024-00260	Nut, Slotted. Hex 2.00 NC G5 (1 required)
	ARF06020-00083	Pin, Cotter .375" x 4.00" (1 required)
	AB581	Hitch Pin, Assembly (1 required)
	AB580	Pin Weldment (1 required)
	AB195	Washer, 3.00"OD x 1.56" (1 required)
	AFN-00014	Nut, Slotted, 1.5" NC G5 (1 required)
8.	ARF06020-00060	Pin, Cotter
	A1063146	Washer, Thrust (4 required)

SWIVEL HITCH ASSEMBLY
I-155 TS



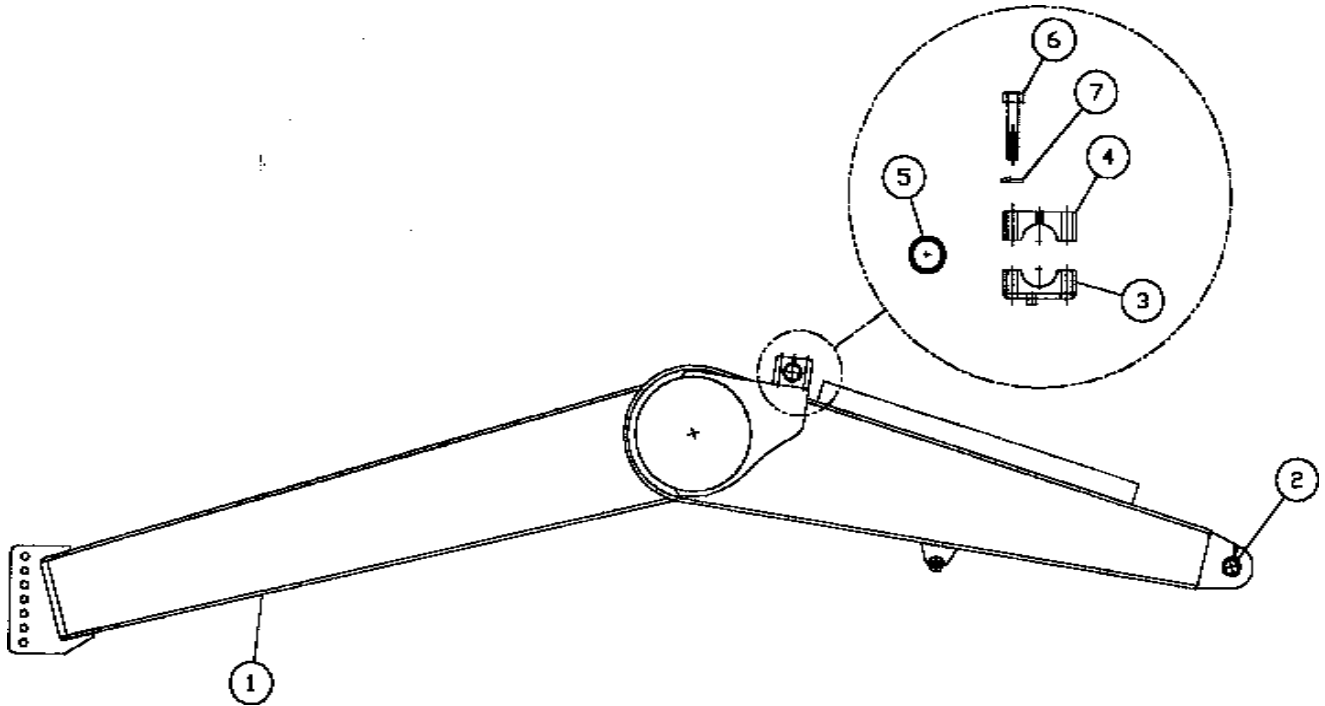
KEY NO.	PART NO.	DESCRIPTION
1.	A123299-08	Pin: Four Ear Drawbar To Hitch
	A123299-07	Pin: Two Ear Drawbar To Hitch
	AFN-00014	Nut: 1-1/2" NC Slotted
2.	A123299-06	Pin: Sq. Tab Head 2 X 18-1/2"
	AFN-00018	Nut: 1-1/2" NF Top Lock
3.	A123299-03R	A-Frame Hitch
4.	A123299-02	C-Frame Hitch: Offset
5.	A123299-05	Pin: Sq. Tab Head 1-1/2 NF X 12-1/2"
	AFN-00018	Nut: 1-1/2" NF Top Lock
6.	A123299-01	Vertical Mounting Tube: 7 Hole
7.	A123299-04	Wear Pad With Locking Legs
8.	ABS-00001	Bushing: Spring 2" ID X 2-3/8" OD
9.	A123299-09	Bushing: 2" OD x 1-1/2" ID x 1-1/2" (2 req'd)
10.	A123299-10	Bushing: 2-3/8" OD x 2" ID x 1-1/2" (2 req'd)
11.	A123299-11	Washer
12.	A123299-14	Thrust Bushing with Flange, 2" ID x 2-3/8" OD



MODEL I-155 TS
APRON ASSEMBLY

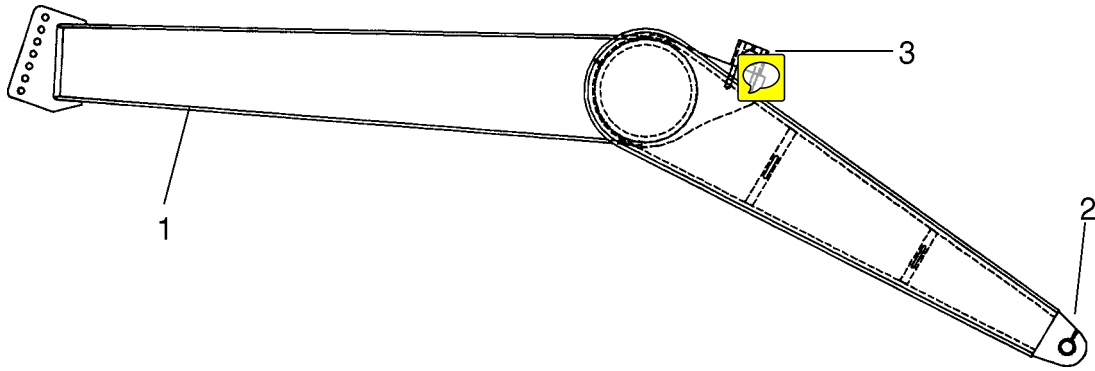
KEY NO.	PART NO.	DESCRIPTION
1.	A123310A	Apron Model I-155 TS
2.	A16027	Bushing: 2" OD x 1-1/2" ID x 2" Long
3.	A123337	Pin: 1-1/2" x 5-3/8"
4.	7450	Nut: 3/8" NC
5.	AFB-00049	Bolt: 3/8" NC x 3"

MODEL I-155 TS FRONT END WITH 2 PIECE TRUNION MOUNT BLOCK
 FOR MODELS WITH S/N 20326 TO 20411 ONLY

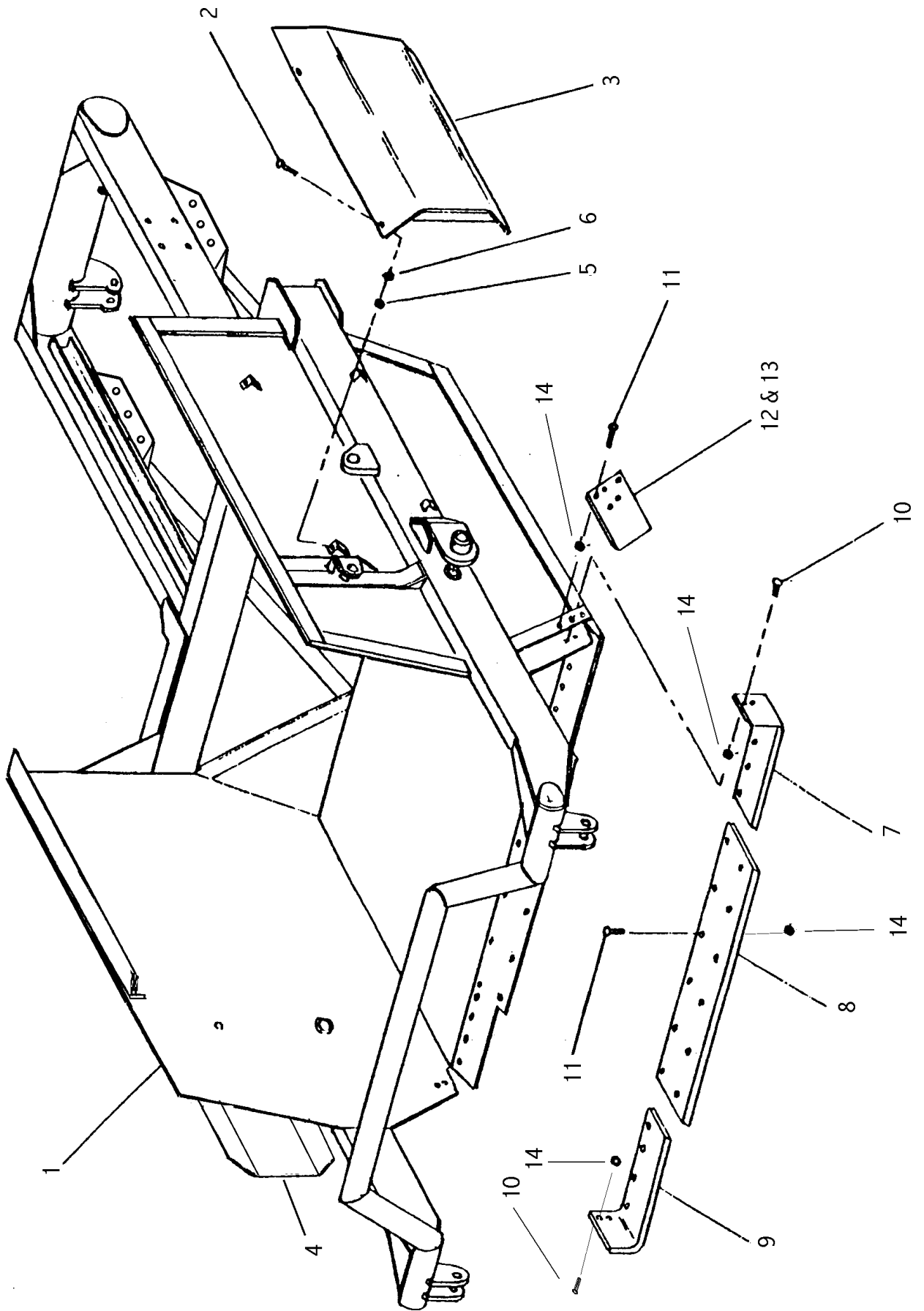


KEY NO.	PART NO.	DESCRIPTION
1.	A123329	Front End Assembly
2.	A14039	Bushing: 2.375 OD X 2.000 ID X 2" Long
3.	A1230501-01	Trunion Mount Block - Lower Half
4.	A1230501-02	Trunion Mount Block - Upper Half
5.	A123502	Bushing
6.	AFB-00064	HHCS: 3/4 NC X 3" Gr. 8
7.	AFW-00002	Washer: 3/4" Lock

MODEL I-155 TS FRONT END
FOR MODELS WITH S/N 20412 AND UP



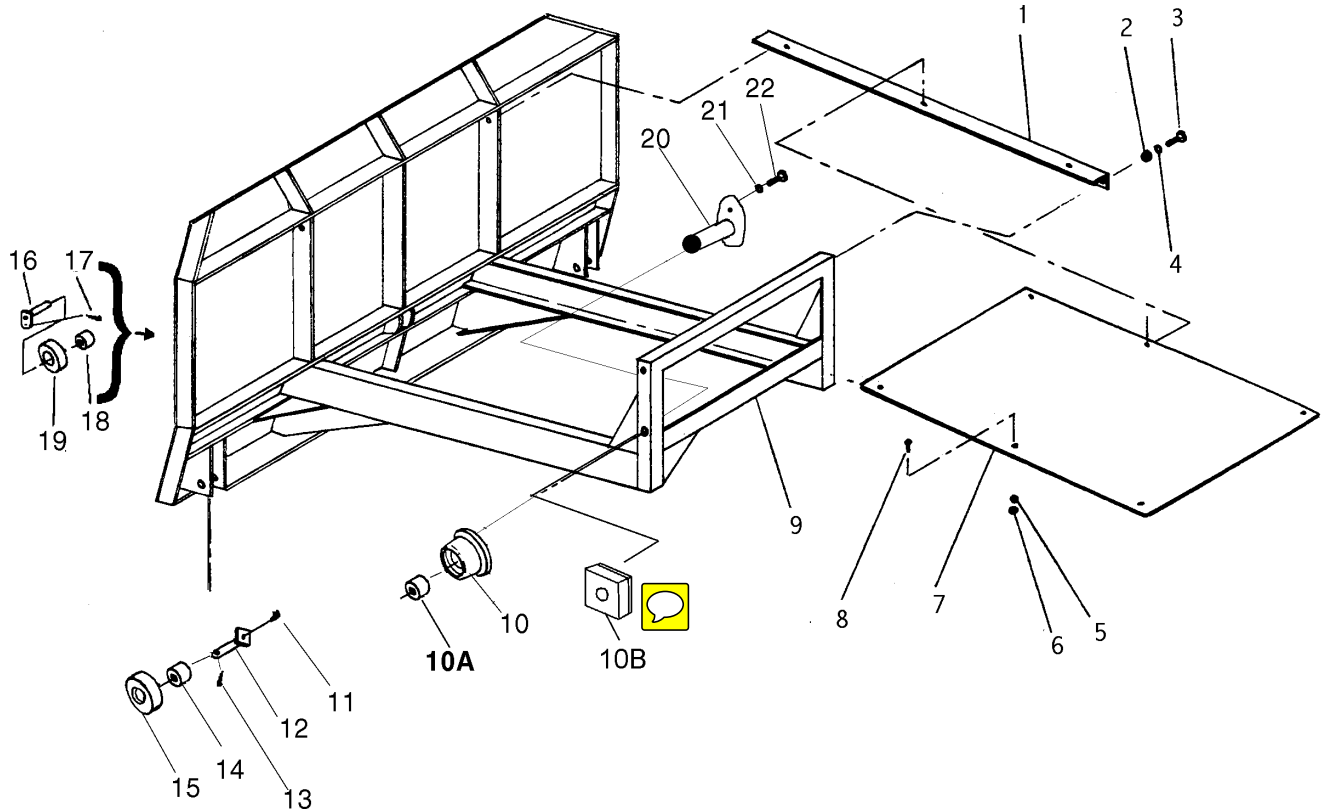
KEY NO.	PART NO.	DESCRIPTION
1.	A123329	Front End Assembly
2.	A14039	Bushing: 2.375 OD X 2.000 ID X 2" Long
3.	A123293A	Trunion Mount Block



MODEL I-155 TS
BOWL & FRAME ASSEMBLY

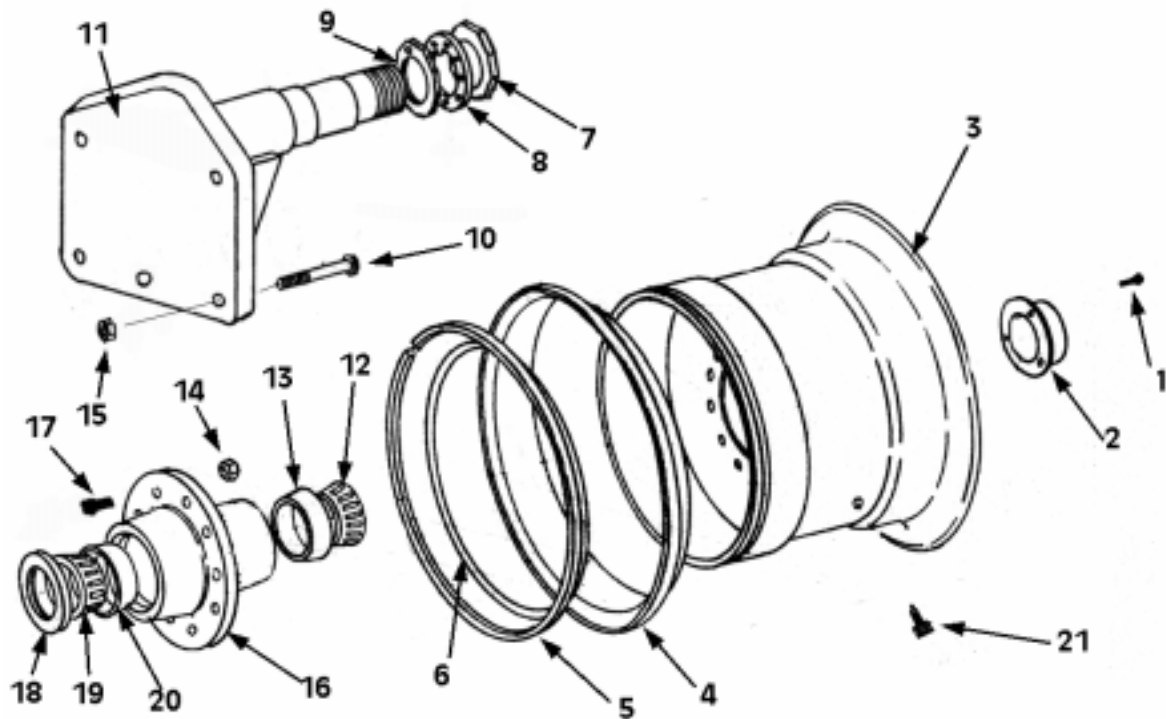
KEY NO.	PART NO.	DESCRIPTION
1.	A16026C	Bowl and Frame, Model I-155
2.	AFB-00034	Bolt: 3/8 NC X 1"
3.	A10157 A123309-82	to S/N 20495: Cylinder Guard - Left Hand from S/N 20496: Cylinder Guard - Left Hand
4.	A10158	Cylinder Guard - Right Hand
5.	7450	Nut: 3/8" NC
6.	8078	Lockwasher: 3/8"
7.	A123332L	Left Cutting Edge
10.	PB9P-NC-088-0275	Plow Bolt: 7/8 NC X 2-3/4" -> 6 Required
14.	AFN-00019	Nut: 7/8" NC -> 6 Required
8.	A123330	Center Cutting Edge
11.	PB9P-NC-088-0275	Plow Bolt: 7/8 NC X 2-3/4" -> 12 Required
14.	AFN-00019	Nut: 7/8" NC -> 12 Required
9.	A123332R	Right Cutting Edge
10.	PB9P-NC-088-0275	Plow Bolt: 7/8 NC X 2-3/4" -> 6 Required
14.	AFN-00019	Nut: 7/8" NC -> 6 Required
12.	A123338L	Left Shaver Bit
11.	PB9P-NC-088-0275	Plow Bolt: 7/8 NC X 2-3/4" -> 5 Required
	PB9P-NC-088-0225	Plow Bolt: 7/8 NC X 2-1/4" -> 2 Required
14.	AFN-00019	Nut: 7/8" NC -> 5 Required
	AFN-00026	Nut: 7/8" NC Jam -> 2 Required
15.	A123338R	Right Shaver Bit
11.	PB9P-NC-088-0275	Plow Bolt: 7/8 NC X 2-3/4" -> 5 Required
	PB9P-NC-088-0225	Plow Bolt: 7/8 NC X 2-1/4" -> 2 Required
14.	AFN-00019	Nut: 7/8" NC -> 5 Required
	AFN-00026	Nut: 7/8" NC Jam-> 2 Required

PUSH OFF GATE ASSEMBLY



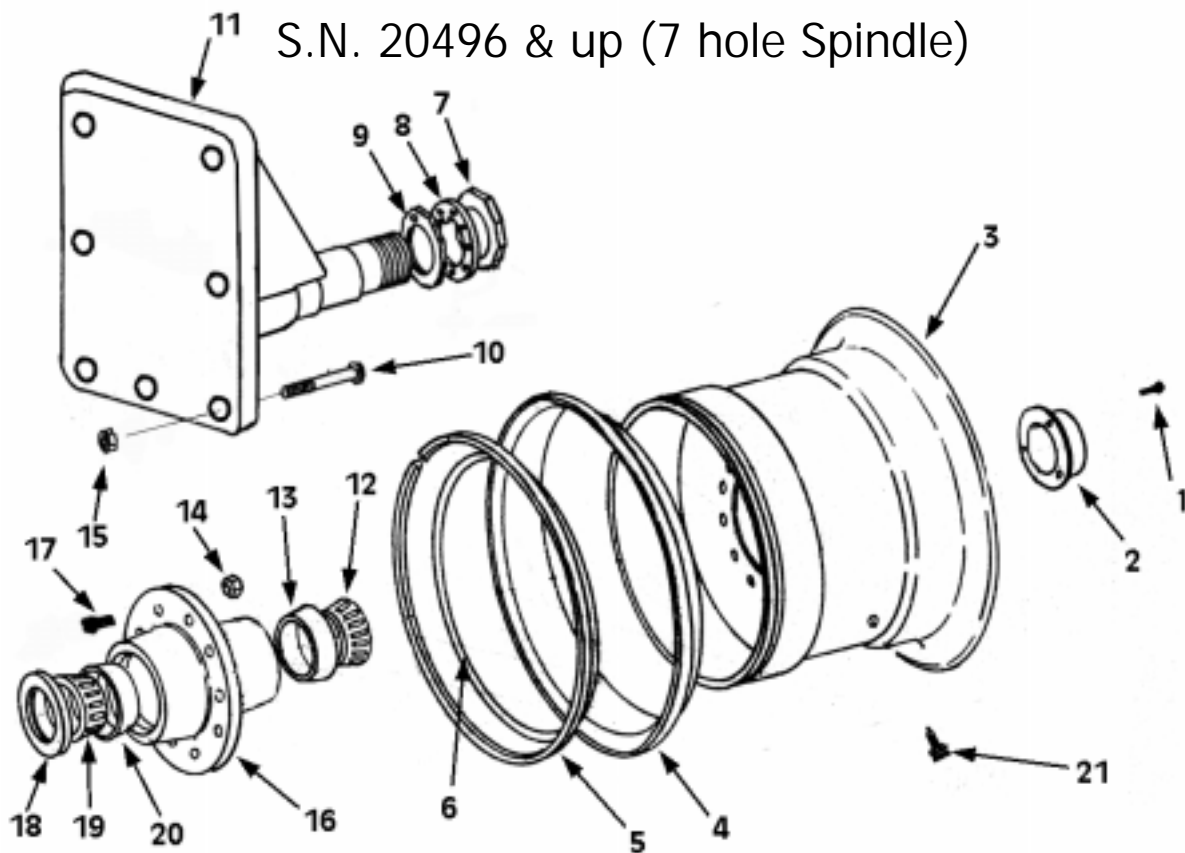
KEY NO.	PART NO.	DESCRIPTION
1.	A14022	Brace
2.	AFN-00006	Nut: 3/4" NC
3.	AFB-00037	Bolt: 3/4" NC x 2" Lg.
4.	AFW-00002	Lockwasher: 3/4"
5.	8078	Lockwasher: 3/8"
6.	7450	Nut: 3/8" NC
7.	A14023	Dirt Shield
8.	AFB-00034	Bolt: 3/8 NC x 1" Lg.
9.	A16024	Pushoff Gate: Model I-150
10.	A123306	To S.N. 20495: Roller: Rear Gate
10A.	A123307	To S.N. 20495 Bushing
10B.	A123353-K	S.N. 20496 & up: Wear pad assembly
11.	AHF-00028	Grease Fitting: 1/8" NPT -90 degree
12.	A6007A	Pin: 1-1/4" x 4-1/8" Lg.
13.	AFP-00001	Cotter Pin: 1/4 X 3-1/2"
14.	A10163	Bushing: 1-3/4" OD x 1-1/4" ID
15.	A10164	Roller: 3-1/2 OD X 1-3/4 ID
16.	A123288	Pin: 1-1/4 X 3-1/4" Tab Head
17.	7036	Bolt: 1/2 NC X 2"
18.	A10163	Bushing: 1-3/4" OD x 1-1/4" ID
19.	A10164	Roller: 3-1/2 OD X 1-3/4 ID
20.	A123305	Pin: 1-1/4 X 2-3/4"
21.	8100	Lockwasher: 1/2"
22.	AFB-00033	Bolt: 1/2 NC X 2-1/2"

Up to S.N. 20495 (5 hole Spindle)



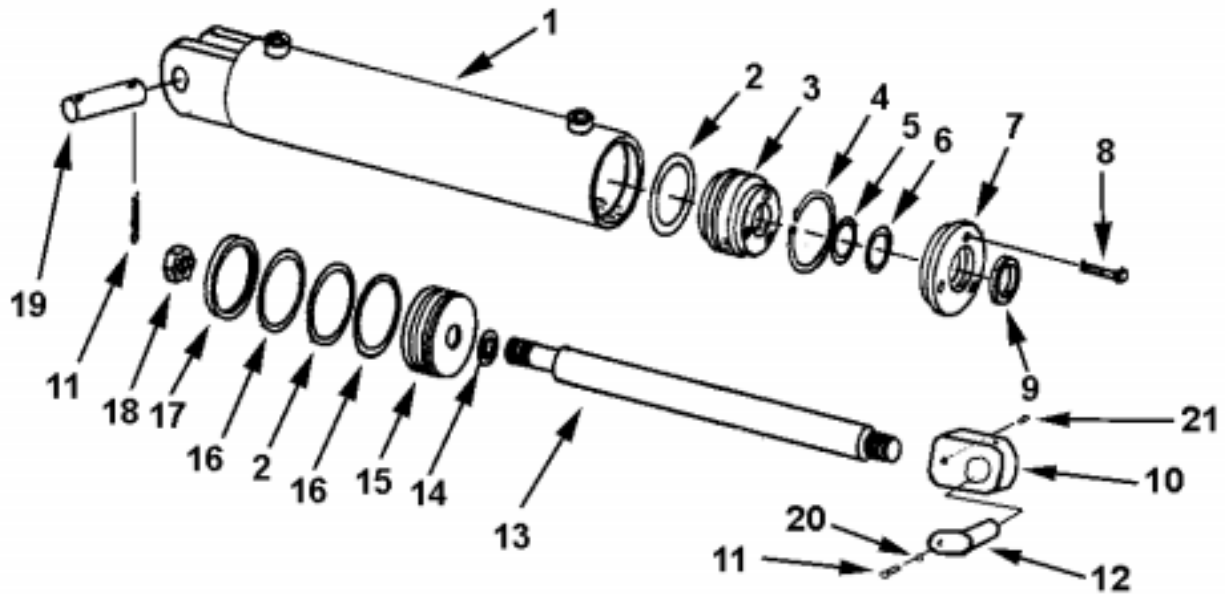
PARTS LIST REAR WHEEL and HUB ASSEMBLY MODEL I-155 TS

KEY NO.	PART NO.	DESCRIPTION
1.	AFB-00020	Bolt 5/16" NC X 3/4" Lg.
2.	A14004	Hub Cap
3.	A12036	Wheel Ass'y. 25" x 25"
4.	A12041	Side Ring
5.	A12042	Lock Ring
6.	A12047	O-Ring
7.	A10048	Spindle Nut
8.	A10049A	Lock Collar
9.	A10172	Nut with Lock Pin
10.	AFB-00059	Bolt 1-1/4" NF X 7" Lg.
11.	A12044	Spindle
12.	A14015	Bearing Cone (Timken# 644)
13.	A14014	Bearing Cup (Timken# 632)
14.	A12051	Lug Nut
15.	AFN-00009	Lock Nut: 1-1/4" NF
16.	A12035	Hub
17.	A12050	Lug
18.	A12037	Grease Seal (National# 416039)
19.	A12038	Bearing Cone (Timken# 854)
20.	A12039	Bearing Cup (Timken#861)
21.	A14016	Valve Stem



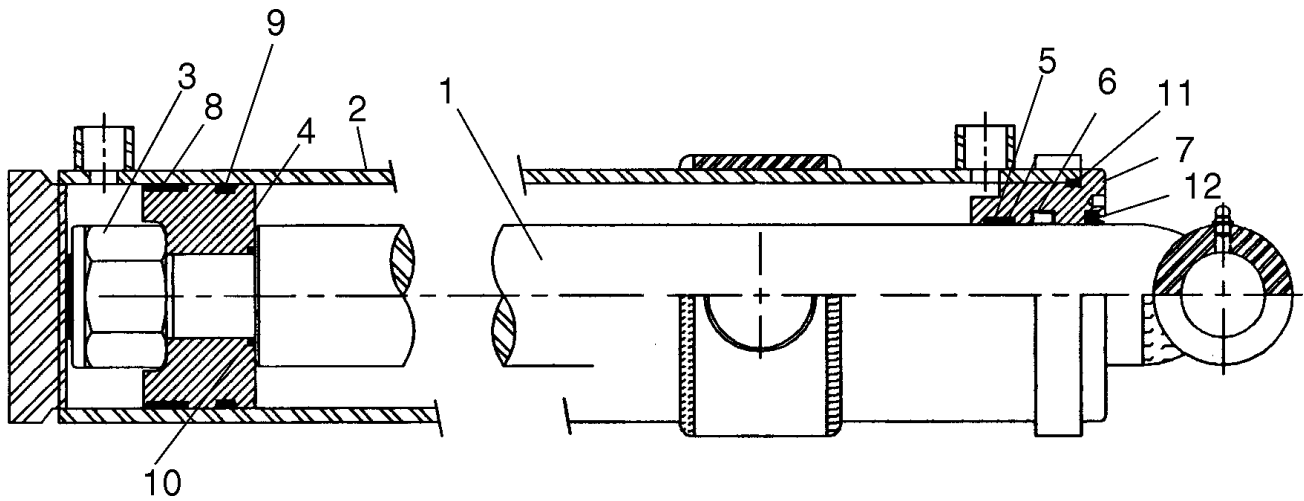
PARTS LIST
 REAR WHEEL and HUB ASSEMBLY
 MODEL I-155 TS

KEY NO.	PART NO.	DESCRIPTION
1.	AFB-00020	Bolt 5/16" NC X 3/4" Lg.
2.	A14004	Hub Cap
3.	A12036	Wheel Ass'y. 25" x 25"
4.	A12041	Side Ring
5.	A12042	Lock Ring
6.	A12047	O-Ring
7.	A10048	Spindle Nut
8.	A10049A	Lock Collar
9.	A10172	Nut with Lock Pin
10.	AFB-00067	Bolt 1-1/4" NF X 7-1/2" Lg.
11.	A123350	Spindle
12.	A125001	Bearing Cone (Timken# H715348)
13.	A125002	Bearing Cup (Timken# H715311)
14.	A12051	Lug Nut
15.	AFN-00009	Lock Nut: 1-1/4" NF
16.	A12035	Hub
17.	A12050	Lug
18.	A12037	Grease Seal (National# 416039)
19.	A125003	Bearing Cone (Timken# HM624749)
20.	A125004	Bearing Cup (Timken# HM624710)
21.	A14016	Valve Stem



MODEL I-155 TS
LEFT & RIGHT SIDE APRON CYLINDER 4 X 13
PART NO. A123319

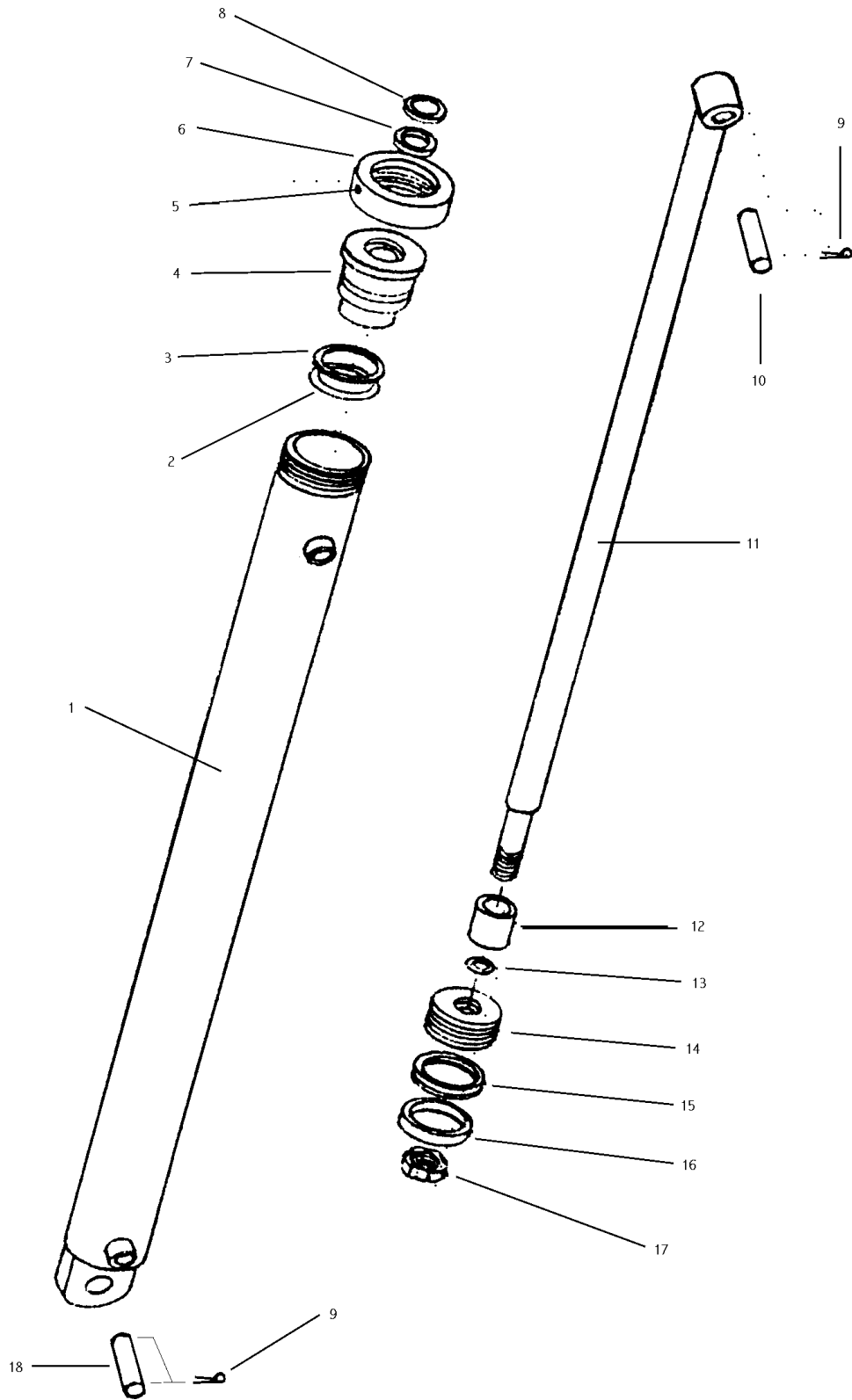
KEY NO.	PART NO.	DESCRIPTION
1.	A175H013	Cylinder Barrel
2.	A300H06	O-Ring: 4" OD x 3/16"
3.	A300H11	Head Gland
4.	A300H12	Retainer Ring
5.	A22H15	O-Ring: 1-1/2" ID x 1/8"
6.	A22H15A	Backup Washer: 1-1/2"
7.	A300H13	Gland Cap
8.	A22H18	Capscrew: 1/4" NC x 1"
9.	A22H17	Wiper Seal: 1-1/2" ID
10.	A123345	Up to S/N 20458 -Block Type, 1" Hole
	A123310-16	S/N 20459 and Up - Block Type, 1-1/4" Hole
11.	AFB-00015	HHCS: 1/2 NC X 1-1/2"
12.	A123336	Up to S/N 20458 Pin: Tab Hd. w/Grs. Ftg. 1" x 3-5/8"
	A123347	S/N 20459 & Up Pin: Tab Hd. w/Grs. Ftg. 1-1/4" x 3-5/8"
13.	A175H02	Shaft: 1-1/2" Dia.
14.	A45H05	Piston Gasket: 1"
15.	A300H07	Piston: 4" Dia.
16.	A300H05	Backup Washer: 4" OD
17.	A300H04	Cast Iron Ring: 4" OD
18.	A300H03	Piston Nut, 1" NF
19.	A1217E	Pin: 1" x 3-1/2" ETD-150
20	8100	Lockwasher: 1/2"
21	AFB-00062	Socket Screw: 3/8" NC - 3/4" with Brass Tip
	A300H14B	Packing Kit, Containing:
	(1) A300H04	(2) A22H15
	(2) A300H05	(1) A22H15A
	(2) A300H06	(1) A22H17
	(1) A45H05	



MODEL I-155 TS
LIFT CYLINDER 5 X 20"
PART NO. A123326

KEY NO.	PART NO.	DESCRIPTION
1.	A123326-1	Piston Rod: 2-1/2"
2.	A123326-2	Barrel Weldment
3.	AFN-00018	Nut: Lock 1-1/2-12
4.	A123324-4	Piston
5.	A123324-3	O-ring
6.	A123324-6	Rod Seal
7.	A123324-5	Gland
8.	A123324-8	Wear Ring
9.	A123324-9	Piston Seal
10.	A123324-10	O-Ring
11.	A123324-11	O-Ring
12.	A123324-7	Rod Wiper
	AHS-00140	Seal Kit (Items 6-12)

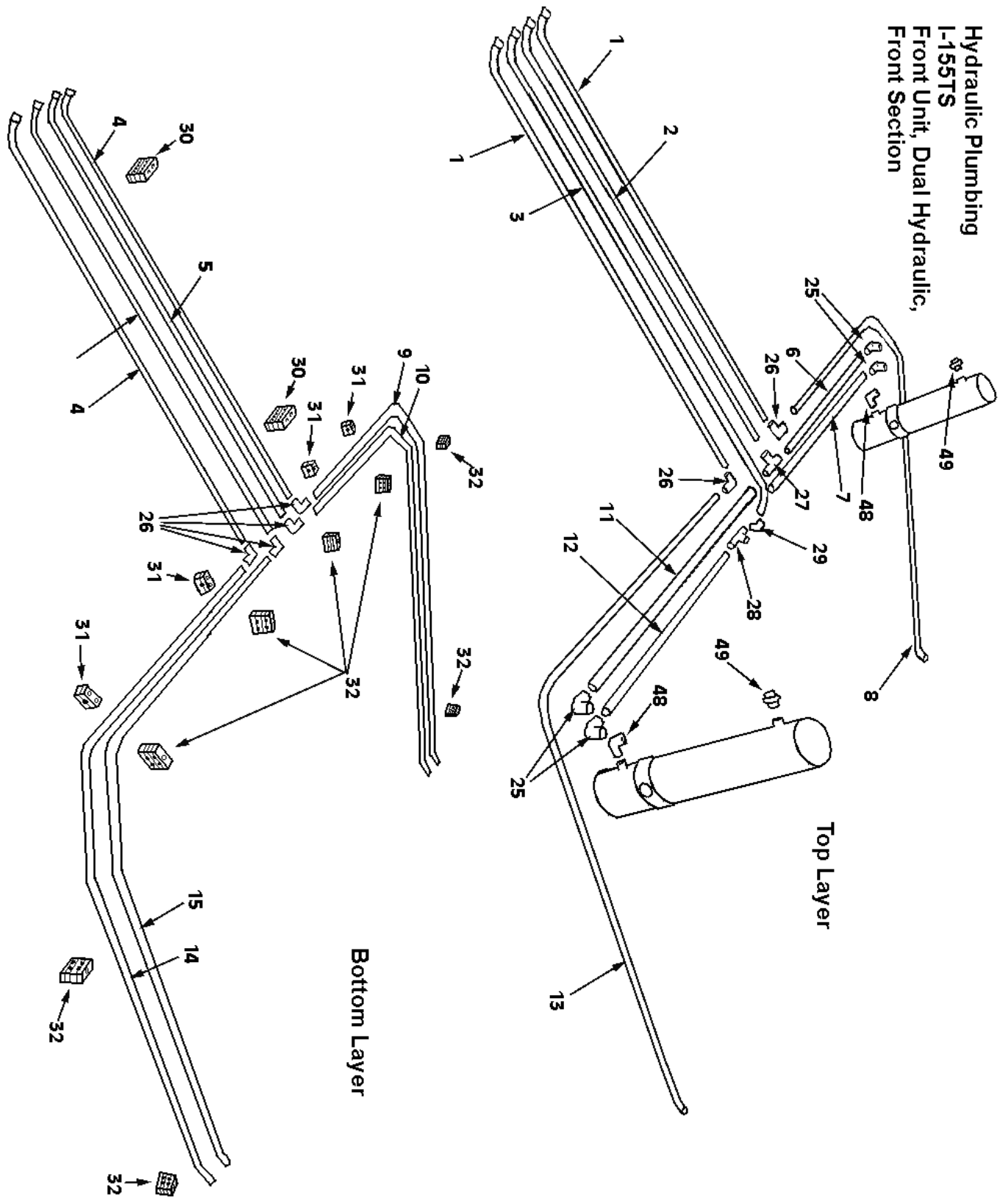
MODEL I-155 TS
PUSHOFF CYLINDER 5 X 60"
PART NO. A560H114A



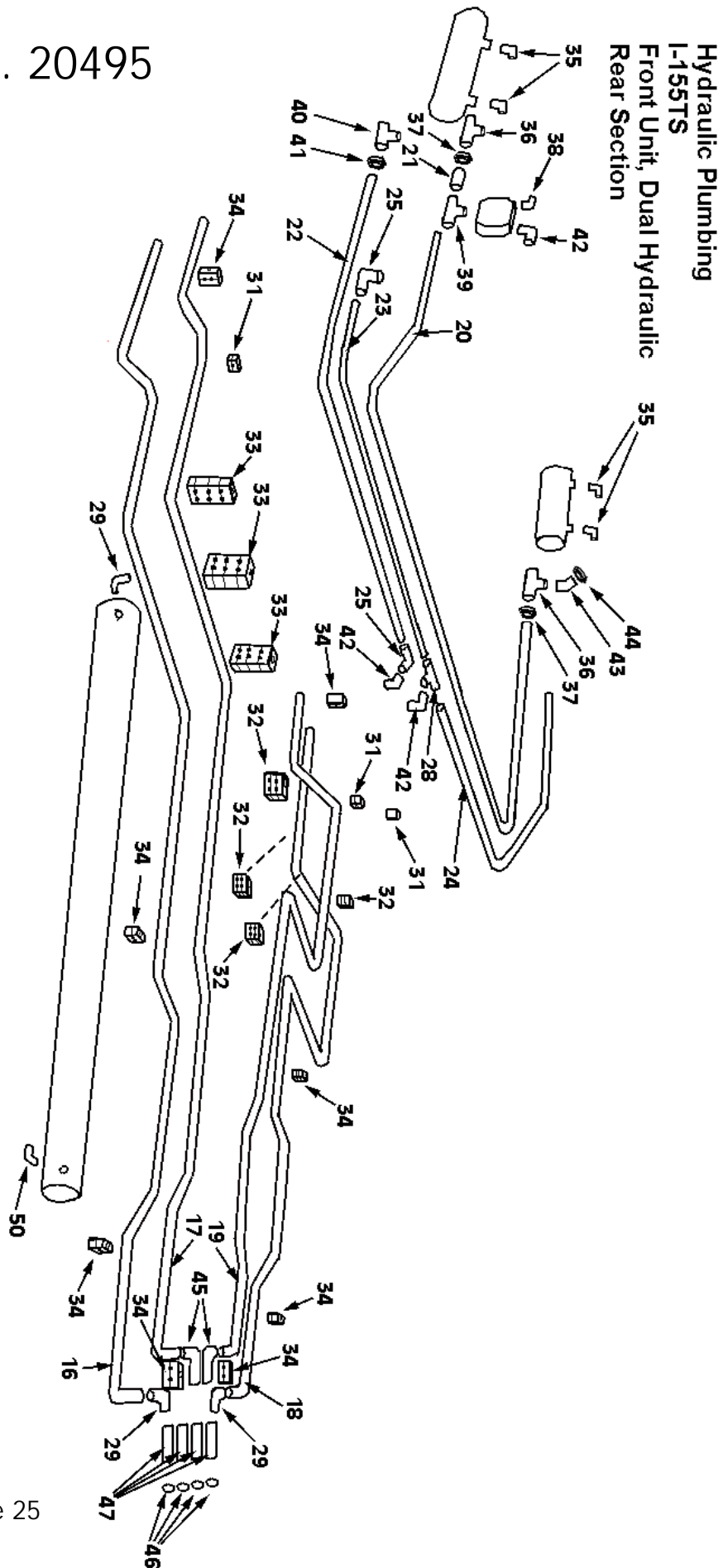
MODEL I-155 TS
 PUSHOFF CYLINDER 5 X 60"
 PART NO. A560H114A

KEY NO.	PART NO.	DESCRIPTION
1.	A140H20	Barrel Assembly: 5" Bore
2.	A400H06	O-Ring: 5" OD X 4-1/2" ID
3.	A400H05	Back Up Washer: 5" OD X 4-1/2" ID
4.	A140H21	Head Gland: 5"
5.	-----	Set Screw: 3/8" NC
6.	A140H19	Collar
7.	A140H07	Shaft Seal: 2-1/2" ID X 3" OD OU-Cup
8.	A140H08	Wiper Seal: 2-1/2" ID X 2-15/16" OD
9.	8602	Cotter Pin: 1/4" X 2"
10.	A14033	Pin: 1-1/4" Dia. X 5" Lg.
11.	A140H27	Shaft: 2-1/2" Dia.
12.	A175H06	Spacer
13.	A22H15	O-Ring: 1-1/2" x 1-3/4" OD
14.	A140H22	Piston: 5"
15.	A140H24	Piston Seal: 5" OD X 4-1/4" ID
16.	A140H25	Wear Ring: 5" OD
17.	AFN-00018	Lock Nut: 1-1/2" NF
	A140H28	Packing Kit: Containing: (1) A140H25 (1) A400H06 (1) A140H07 (1) A140H08 (1) A22H15 (1) A400H05 (1) A140H24
18.	A9024	Pin: 1-1/4 X 4-3/4"

Hydraulic Plumbing
 L-155TS
 Front Unit, Dual Hydraulic,
 Front Section



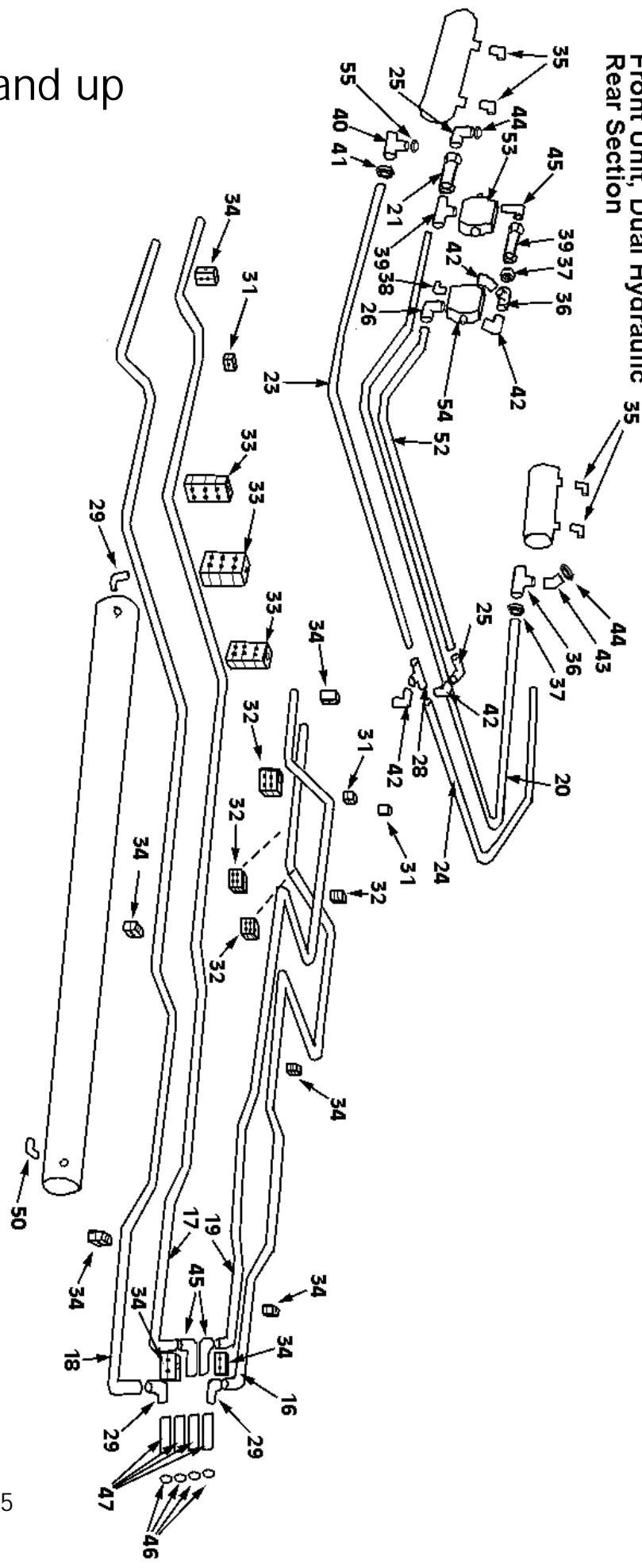
up to S. N. 20495



Parts List on Page 25

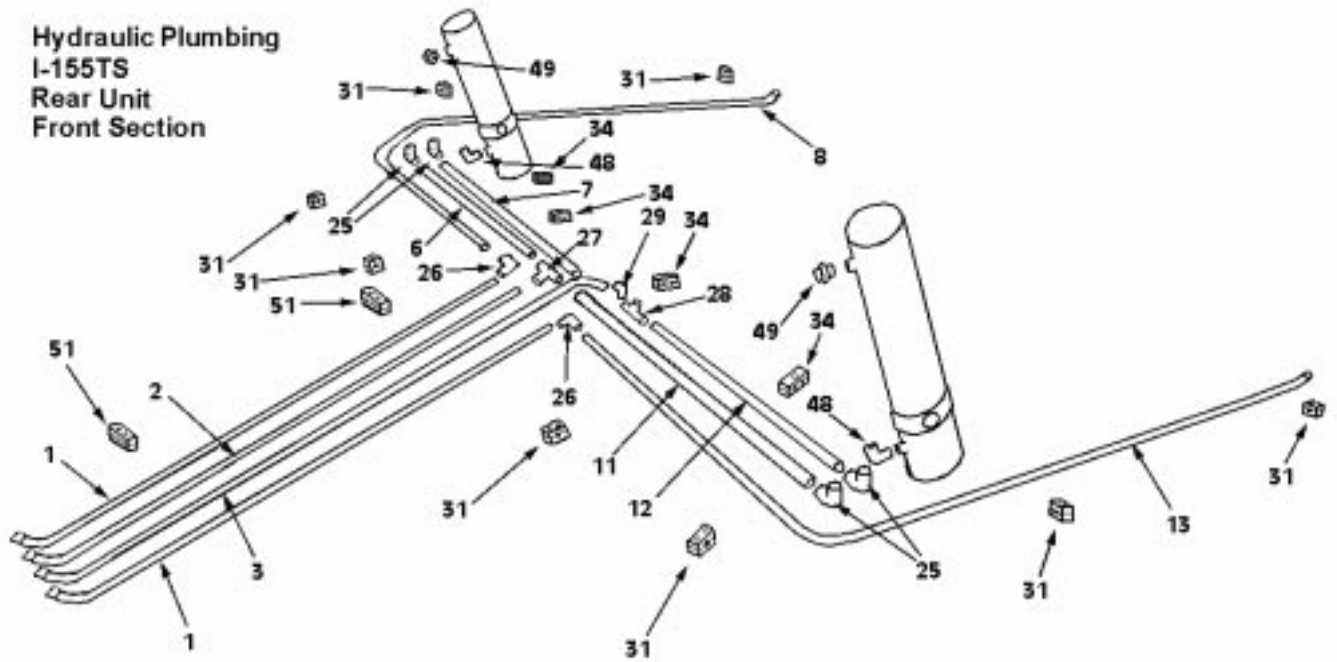
S. N. 20496 and up

Hydraulic Plumbing
I-155TS
Front Unit, Dual Hydraulic
Rear Section

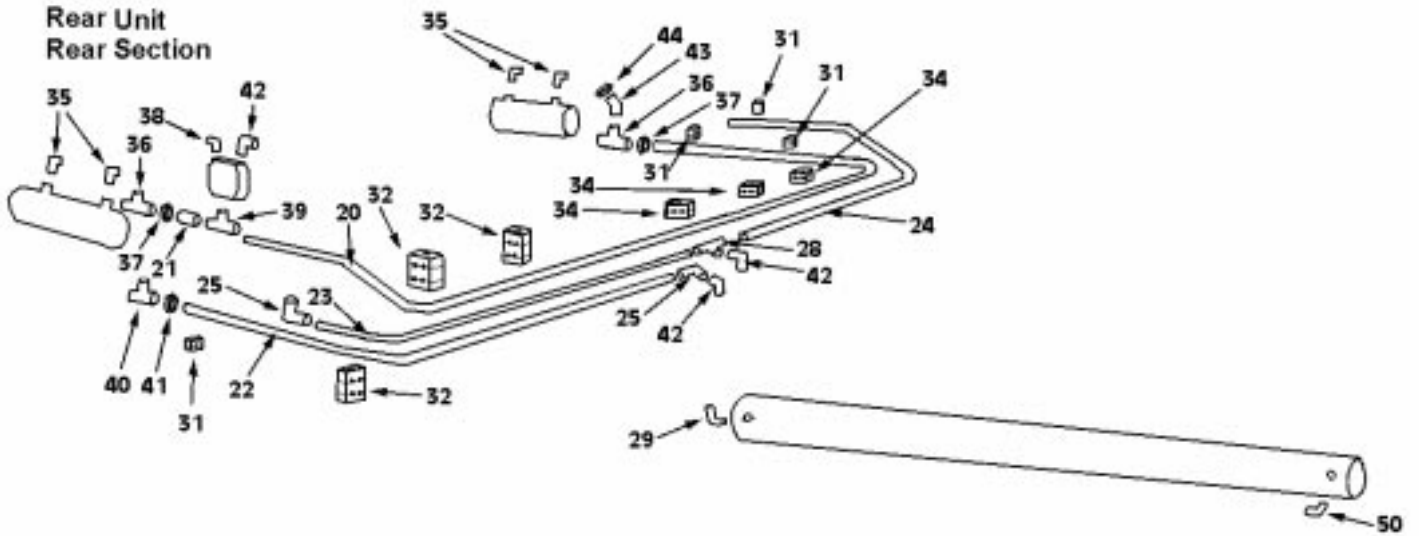


up to S. N. 20495

Hydraulic Plumbing
I-155TS
Rear Unit
Front Section

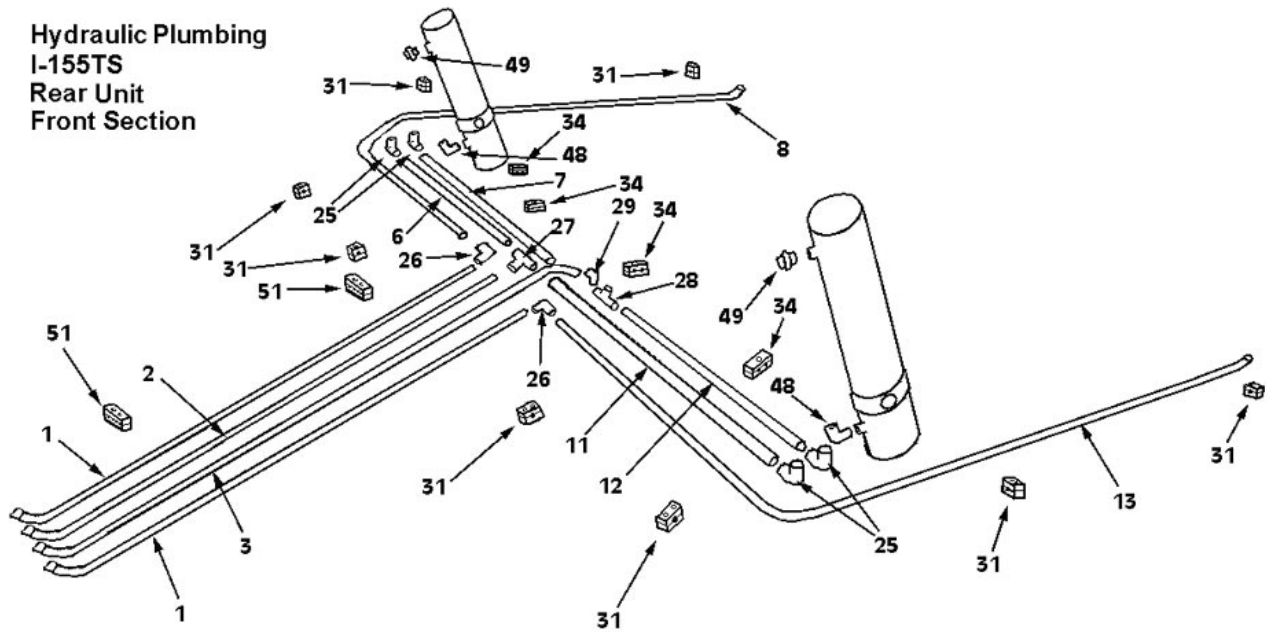


Hydraulic Plumbing
I-155TS
Rear Unit
Rear Section

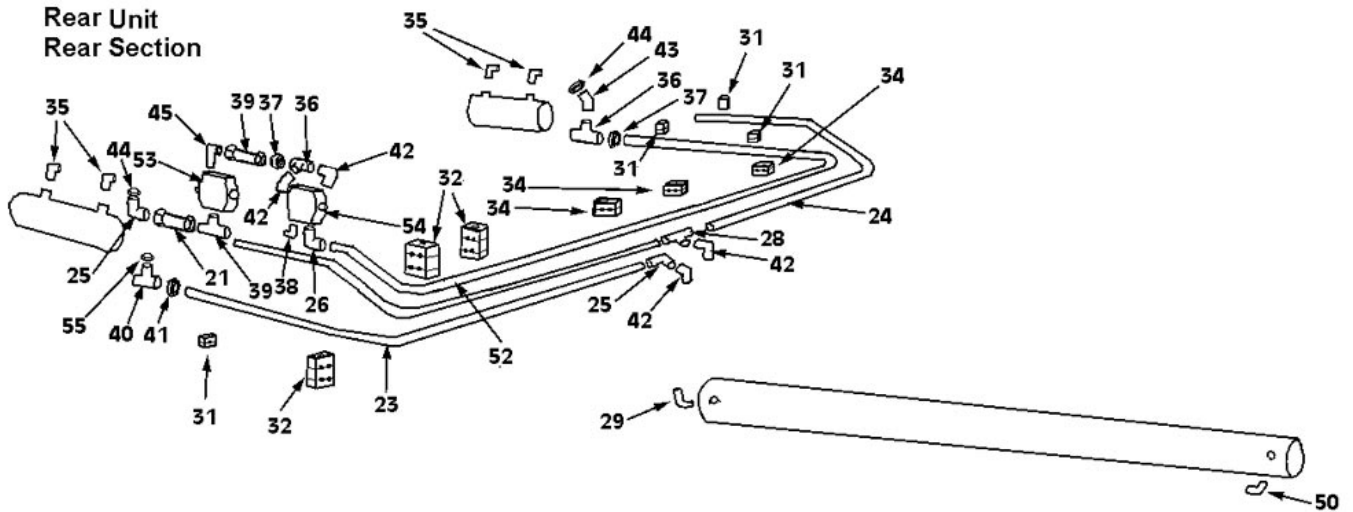


S. N. 20496 and up

Hydraulic Plumbing
I-155TS
Rear Unit
Front Section



Hydraulic Plumbing
I-155TS
Rear Unit
Rear Section

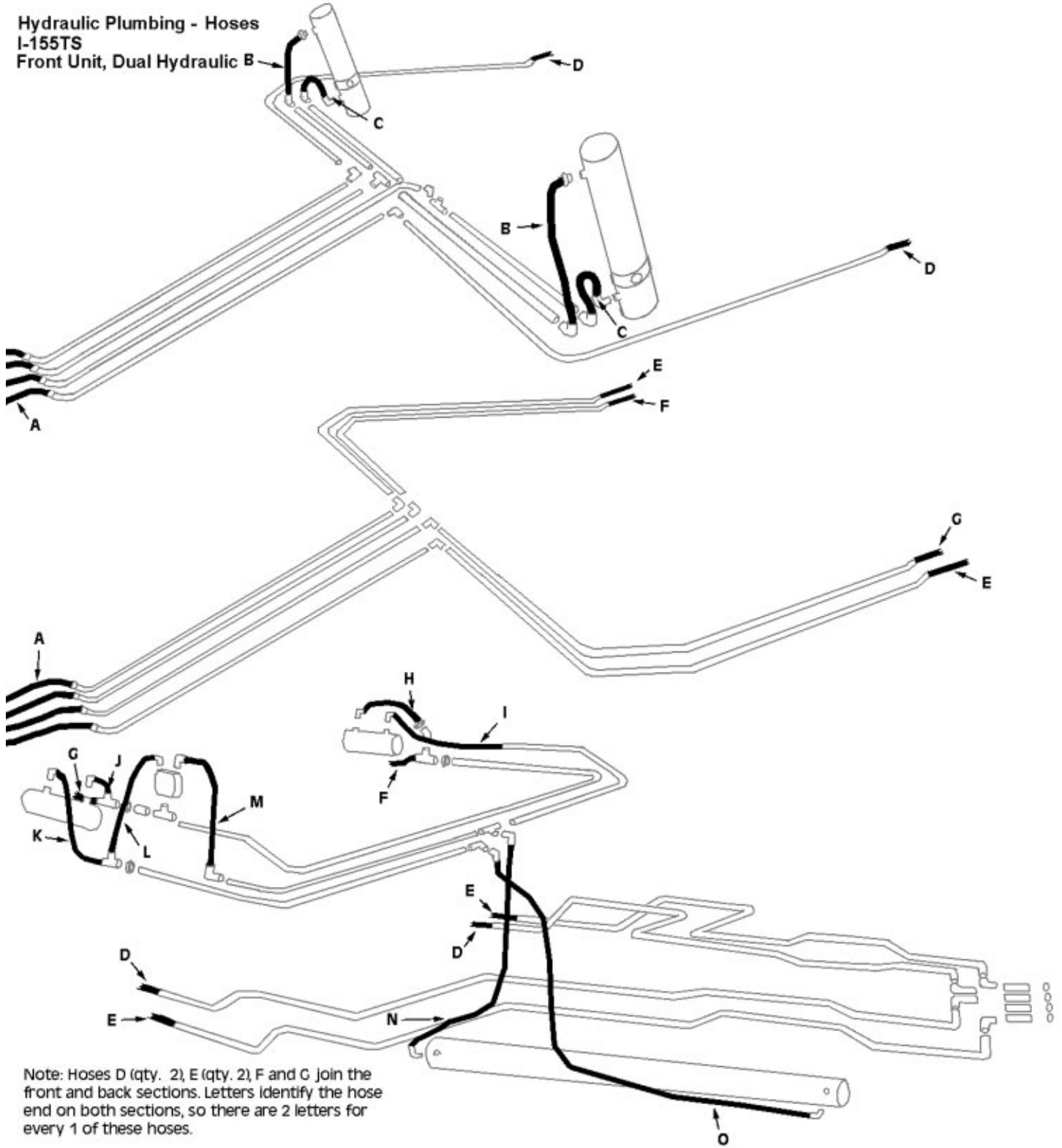


PARTS LIST - HYDRAULIC PLUMBING - MODEL I-155TS

Key No.	Part No.	Description
1	A155H01	Tubing, Front, Top, Far Right and Far Left
2	A155H02	Tubing, Front, Top, 2nd From Right
3	A155H03	Tubing, Front, Top, 2nd From Left
4	A155H04	Tubing, Front, Bottom, Outside
5	A155H05	Tubing, Front, Bottom, Inside
6	A155H06	Tubing, Top, Right Side
7	A155H07	Tubing, Top, Right Side
8	A155H08	Tubing, Top, Right Arm
9	A155H09	Tubing, Bottom, Outer, Right Arm
10	A155H10	Tubing, Bottom, Inner, Right Arm
11	A155H11	Tubing, Top, Left Side
12	A155H12	Tubing, Top, Left Side
13	A155H13	Tubing, Top, Left Arm
14	A155H14	Tubing, Bottom, Outer, Left Arm
15	A155H15	Tubing, Bottom, Inner, Left Arm
16	A155H16	Tubing, Back, Outer Right
17	A155H17	Tubing, Back, Inner Left
18	A155H18	Tubing, Back, Outer Left
19	A155H19	Tubing, Back, Inner Right
20	A155H20	Tubing, Wraps Around Back of Bowl
21	A155H21	Tubing, Short, Left Side of Bowl
22	A155H22	Tubing, Top, Around Left Side of Bowl
23	A155H23	Tubing, Bottom, Around Left Side of Bowl
24	A155H24	Tubing, Around Right Side of Bowl
25	AHA-00009	ADAPTER: 90 DEG. 3/4 M JIC X 1/2 F NPT
26	AHA-00019	ADAPTER: 90 DEG. 3/4 M JIC X 3/4 M JIC
27	AHA-00022	ADAPTER: T 3/4 M JIC X 3/4 M JIC X 3/4 M JIC
28	AHA-00015	ADAPTER: T 3/4 M JIC X 3/4 F NPT X 3/4 M JIC
29	AHA-00018	ADAPTER: 90 DEG. 3/4 M JIC X 3/4 M NPT
30	AHL-00004	CLAMP, HYD TUBING: 4 TUBE
31	AHL-00001	CLAMP, HYD TUBING: 1 TUBE
32	AHL-00022	CLAMP, HYD TUBING: 2 TUBE STACKING
33	AHL-00022 (2)	CLAMP, HYD TUBING: 3 TUBE STACKING
34	AHL-00002	CLAMP, HYD TUBING: 2 TUBE
35	A45H07	ADAPTER: 90 DEG. SWIVEL 3/8 M NPT X 1/2 F NPT
36	AHA-00020	ADAPTER: T 3/4 F NPT X 3/4 F NPT X 3/4 F NPT
37	AHA-00006	ADAPTER: STR. 3/4 M JIC X 3/4 M NPT
38	A22H03	ADAPTER: 90 DEG. SWIVEL 3/8 M NPT X 3/8 F NPT
39	A175H17	ADAPTER: T 3/4 M JIC X 3/4 M NPT X 3/4 M JIC
40	AHA-00014	ADAPTER: T 1/2 F NPT X 1/2 F NPT X 1/2 F NPT
41	AHA-00005	ADAPTER: STR. 3/4 M JIC X 1/2 M NPT
42	AHA-00010	ADAPTER: 90 DEG. 3/4 M NPT X 3/4 F NPT
43	AHA-00021	ADAPTER: 45 DEG. 3/4 F NPT X 3/4 M NPT
44	AHA-00017	ADAPTER: HEX REDUCER BUSHING 3/4 M NPT X 1/2 F NPT
45	AHA-00030	ADAPTER: 90 DEG. 3/4 M JIC X 3/4 M NPT EXTRA LONG
46	AHF-00025	DUST CAPS
47	AHF-00023	FEMALE QUICK COUPLERS
48	AHA-00026	ADAPTER: 90 DEG. 1-1/16 MORB X 3/4 F NPT
49	AHA-00037	ADAPTER: STR. SWIVEL 1-1/16 MORB X 3/4 F NPT
50	A101H77	ADAPTER: 90 DEG. SWIVEL 3/4 M NPT X 3/4 F NPT
51	AHL-00004	CLAMP, HYD TUBING: 4 TUBE
52	A155H25	Tubing, Around Left Side of Bowl
53	A101H48	Counterbalance Valve
54	A101H47	Sequencing Valve
55	AHA-00025	ADAPTER: HEX REDUCER BUSHING 1/2 M NPT X 3/8 F NPT

up to S. N. 20495

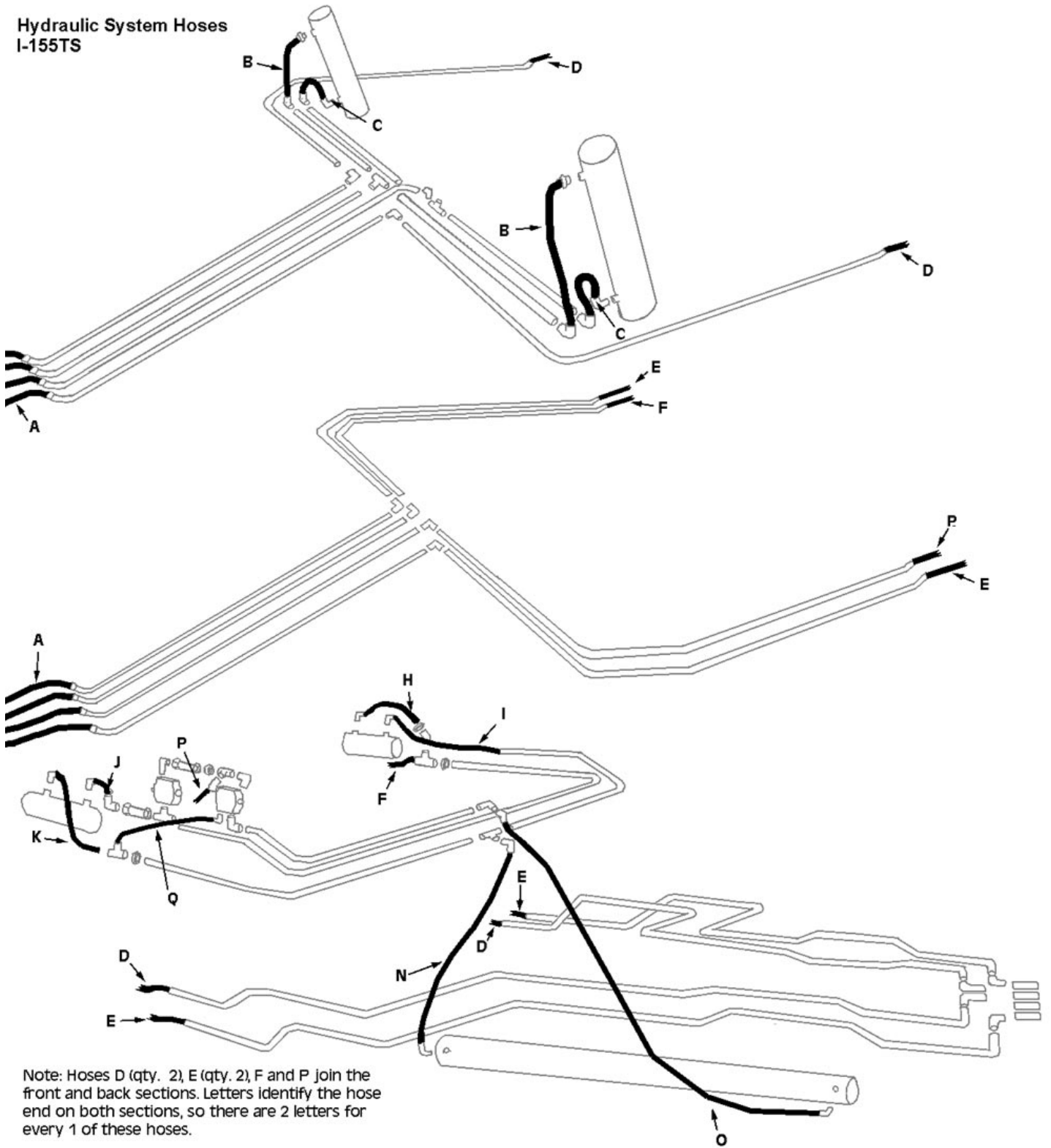
Hydraulic Plumbing - Hoses
I-155TS
Front Unit, Dual Hydraulic B



Note: Hoses D (qty. 2), E (qty. 2), F and G join the front and back sections. Letters identify the hose end on both sections, so there are 2 letters for every 1 of these hoses.

S. N. 20496 and up

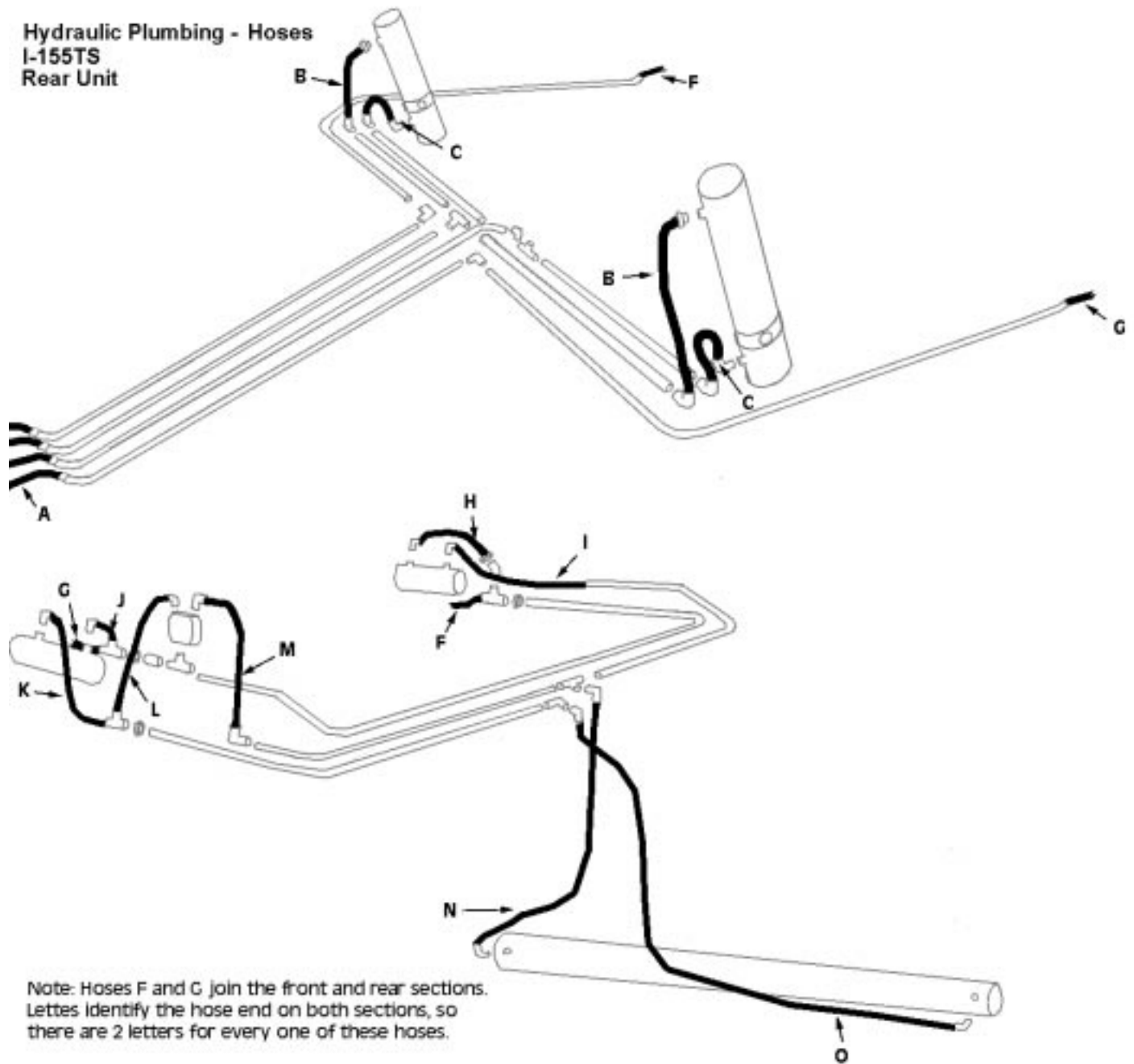
Hydraulic System Hoses I-155TS



Note: Hoses D (qty. 2), E (qty. 2), F and P join the front and back sections. Letters identify the hose end on both sections, so there are 2 letters for every 1 of these hoses.

up to S. N. 20495

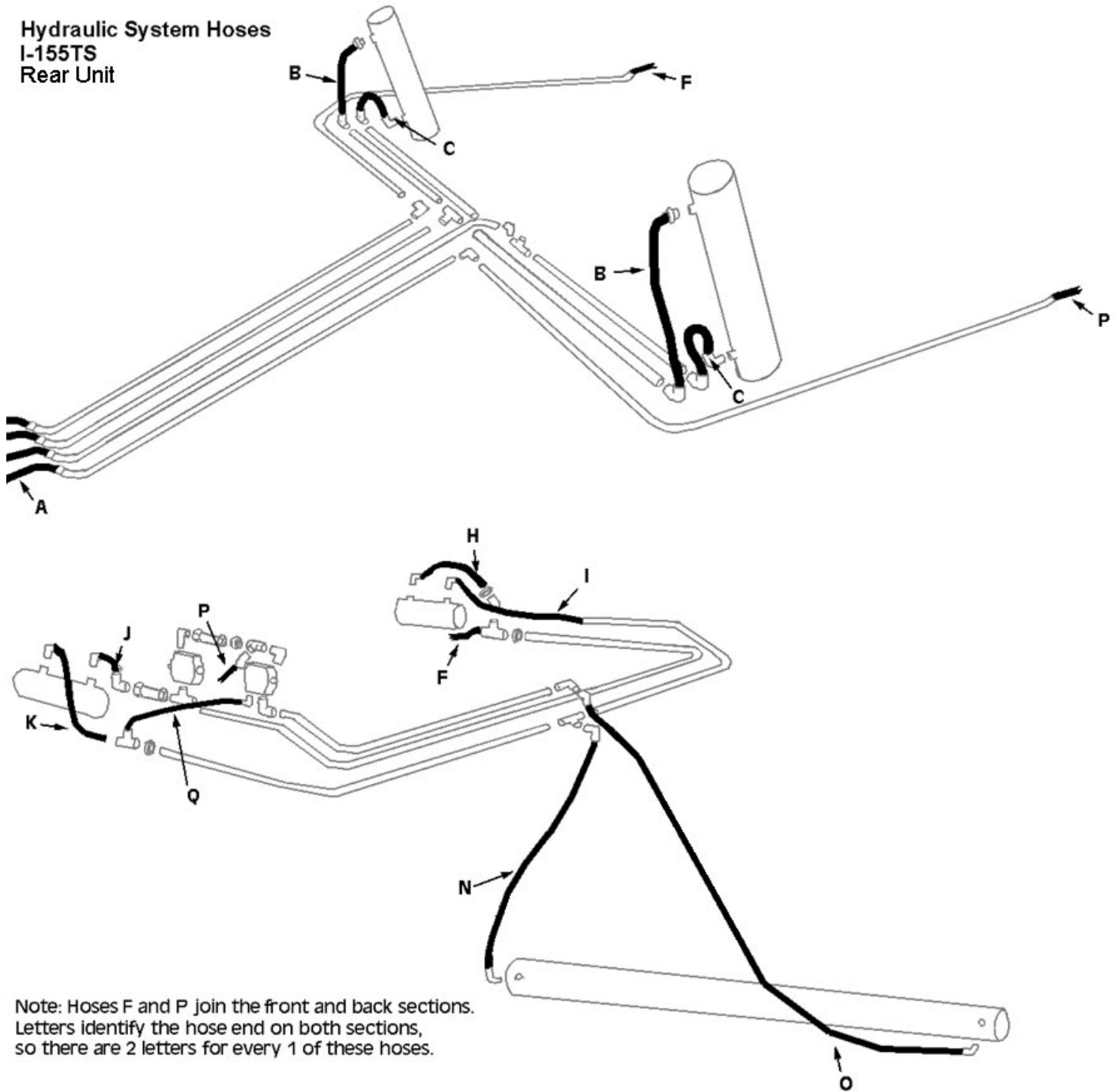
Hydraulic Plumbing - Hoses
I-155TS
Rear Unit



Note: Hoses F and C join the front and rear sections.
Letters identify the hose end on both sections, so
there are 2 letters for every one of these hoses.

S. N. 20496 and up

Hydraulic System Hoses
I-155TS
Rear Unit

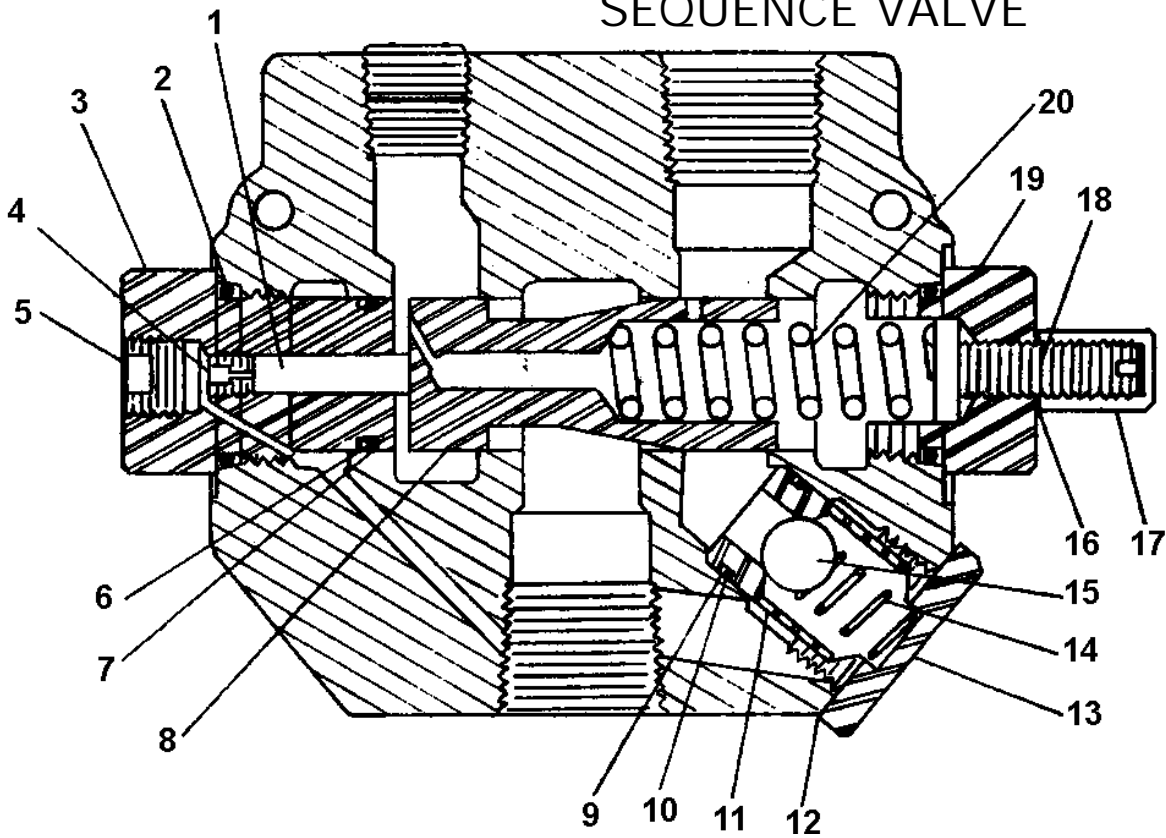


Note: Hoses F and P join the front and back sections.
Letters identify the hose end on both sections,
so there are 2 letters for every 1 of these hoses.

PARTS LIST - HYDRAULIC PLUMBING - HOSES - MODEL I-155TS

Key No.	Part No.	Description
A	A155H50	3/4" x 75" Long, M JIC, M NPT, Double Braid High Pressure Hose
B	A155H51	3/4" x 21" Long, M NPT, M NPT, Double Braid High Pressure Hose
C	A155H52	3/4" x 28" Long, M NPT, M NPT, Double Braid High Pressure Hose
D	A155H53	3/4" x 36" Long, M JIC, M JIC, Double Braid High Pressure Hose
E	A155H54	3/4" x 33" Long, M JIC, M JIC, Double Braid High Pressure Hose
F	A155H55	3/4" x 43 3/4" Long, M JIC, M NPT, Double Braid High Pressure Hose
G	A155H56	3/4" x 41 1/4" Long, M JIC, M NPT, Double Braid High Pressure Hose
H	A155H57	1/2" x 30" Long, M NPT, M NPT, Single Braid High Pressure Hose
I	A155H58	1/2" x 20" Long, M JIC, M NPT, Single Braid High Pressure Hose
J	A155H59	1/2" x 16" Long, M NPT, M NPT, Single Braid High Pressure Hose
K	A155H60	1/2" x 30" Long, M NPT, M NPT, Single Braid High Pressure Hose
L	A155H61	3/8" x 15" Long, M NPT, M NPT, Single Braid High Pressure Hose
M	A155H62	3/4" x 21" Long, M NPT, M NPT, Double Braid High Pressure Hose
N	A155H63	3/4" x 18" Long, M NPT, F JIC, Double Braid High Pressure Hose
O	A155H64	3/4" x 79" Long, M NPT, M NPT, Double Braid High Pressure Hose
P	A155H65	3/4" x 60" Long, M JIC, M NPT, Double Braid High Pressure Hose
Q	A155H66	3/8" x 22" Long, M NPT, M NPT, Single Braid High Pressure Hose

SEQUENCE VALVE



KEY NO.	PART NO.	DESCRIPTION
1	A101H49	Piston
2	A101H50	O-ring
3	A101H51	External pilot plug
4	A101H52	Orifice
5	A101H53	Plug
6	A101H54	O-ring
7	A101H55	Backup washer
*8	A101H70	Metering spool
9	A101H57	Backup washer
10	A101H58	O-ring
11	A101H59	Check seat
12	A101H60	Aluminum washer
13	A101H61	Check plug
14	A101H62	Check spring
15	A101H63	Check ball
16	A101H64	Aluminum washer
17	A101H65	Acorn nut
18	A101H66	Adjusting screw
19	A101H69	Adjusting plug - RD1075 SM
20	A101H68	Metering spring
*	A101H71	Valve body

* NOT SOLD SEPARATELY

SEQUENCE VALVE

The sequence valve controls two hydraulic circuits with one hydraulic remote. Ashland Industries incorporates a sequence valve to control the Apron and Pushoff cylinder systems. When the tractors hydraulic remote is activated, oil flows first to the apron cylinders until they are fully extended. Once the cylinders are fully extended, the apron circuits' hydraulic pressure begins to increase. Once the pressure threshold is surpassed (which is adjustable. See adjustment section), the sequence valve diverts the oil flow to the pushoff's hydraulic circuit. Once the pushoff is completely extended the operator then reverses the tractors hydraulic remote. This will direct oil first to the Apron circuit. Once the aprons cylinders are fully retracted, again the hydraulic pressure begin to increase allowing the pushoff to retract fully once the oil has been diverted from the sequence valve.

INSTRUCTIONS for establishing sequence valve setting:

Remove acorn nut from end of sequence valve with a 1/2" wrench. Turn adjustment screw, using a 4mm hex wrench, clockwise until front apron rises before the push-off advances while the earthmover is empty. Turn the adjustment screw an additional 1/4 turn clockwise, then replace the acorn nut and tighten. Torque check valve assembly and internal pilot plug to 25 ft.-lbs. maximum.

COUNTERBALANCE VALVE

Remove acorn nut from end of Counterbalance valve. Turn adjustment screw counterclockwise until front apron holds in a raised position while rear gate is being retracted. Turn an additional 1/4 turn clockwise, then replace the acorn nut and tighten. DO NOT tighten adjusting screw more than necessary.

NOTE:

Sequence valve identified by "S" imprint on No. 21 adjusting plug.

Counterbalance valve identified by "CB" imprint on No. 19 adjusting plug.

MAINTENANCE CHECKLIST

1. Grease all zerks.
 - a) Every 5 hours of operation.
 - b) See Lubrication Points section on page 3.

2. Greasing the hubs.
 - a) Re-pack wheel bearings after 600 hrs of operation.
 - b) Completely clean grease out of hub and bearings every 1200 hours of operation.

3. Check tire pressure.
 - a) 29.5 – 25, 28-ply tire requires a tire pressure of 45-50 psi.
If pressure drops, first secure valve stem, and if pressure continues to drop, contact Ashland Industries.

4. Check all pins for signs of wear.
 - a) Daily

5. Check wheel lug nut torque.
 - a) After first 2 hours of operation.
 - b) Recheck daily for next 2 weeks.
 - c) Tighten wheel lug nuts in a star pattern.
 - d) Torque wheel lug nuts to 750 ft-lbs.

6. Check and retighten all bolts.
 - a) After initial 10 hours of use.
 - b) Again after 50 hours of use.
 - c) See Torque Specifications on page 3.

7. Inspect cutting edges.
 - a) Daily
 - b) Replace cutting edges when center blade has been worn to approximately 6" and side edges worn to approximately 4".



CAUTION! Failure to replace worn cutting edges may result in unnecessary wear to the earthmover sides and floor.

Note: Please specify left or right "L" shaped cutting edges when ordering replacements.

TORQUE SPECIFICATIONS

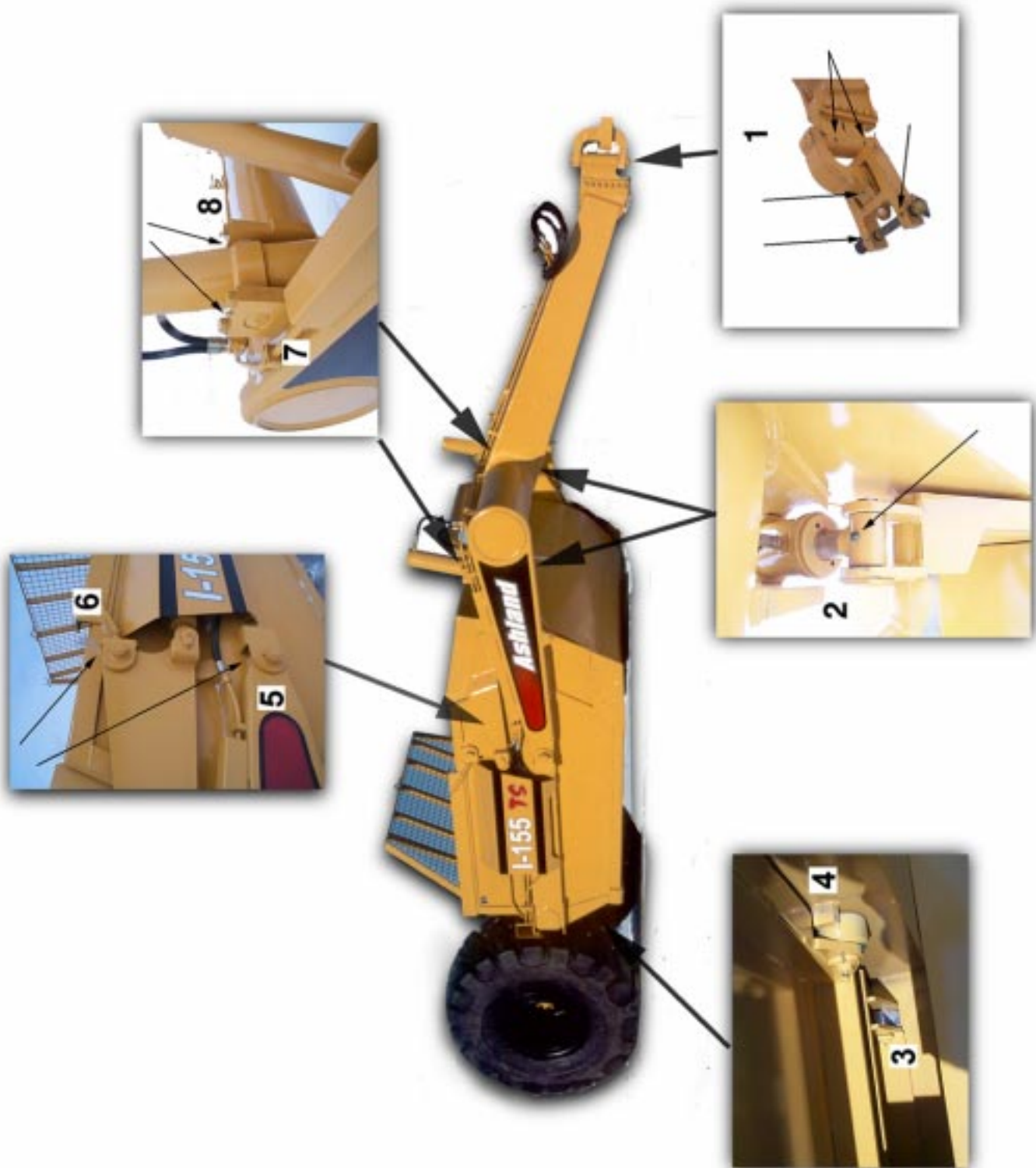
<i>Grade 8</i>	
<i>Bolt</i>	<i>Torque</i>
<i>Diameter</i>	<i>ft-lbs</i>
1/4"	12
5/16"	25
3/8"	45
7/16"	70
1/2"	110
9/16"	150
5/8"	220
3/4"	380
7/8"	600
1"	900
1-1/8"	1280
Lug Nuts	750

LUBRICATION

1. Grease all zerks every 8 hrs of operation with high quality, general-purpose grease.
 - a) Grease until grease flows from around pin.

Lubrication Points

1. Hitch – Horizontal and vertical pins.
2. Lift Cylinders – Rod end; Both left & right sides.
3. Front Arm Pivot Joint – Both left & right sides.
4. Apron Pivot Pin; Both left & right sides.
5. Hold-down Rollers – Both left & right sides.
6. Tapered Rollers – Both left & right sides.
7. Lift Cylinders – Trunnion Mount Blocks; Both left & right sides
8. Lift Cylinders – Trunnion Mount Blocks; Both left & right sides



HYDRAULIC SYSTEM

Standard Two-Circuit Hydraulic Plumbing

The apron cylinders and the push-off cylinder are controlled on the same circuit with the sequence of the operation controlled by a sequence valve. The other hydraulic circuit controls the lift cylinders on the earthmover.

*To adjust the sequence valve, see Troubleshooting section.

Optional Three-Circuit Hydraulic Plumbing

The apron cylinders, push-off cylinder, and lift cylinders are all on separate hydraulic circuits.



CAUTION! Relieve all hydraulic pressure before working on the hydraulic system.

WARNING! High Pressure Fluid Hazard – To prevent serious injury or death from high pressure fluid:

- a) Relieve pressure on hydraulic system before repairing, adjusting, or disconnecting.
 - b) Wear proper hand and eye protection when searching for leaks.
 - c) Keep all components in good repair.
-

PUSHING THE EARTHMOVER

The I-155TS was designed to be pushed when equipped with the optional push-bar. However, Ashland Industries, Inc. *STRONGLY* recommends using extreme caution when pushing the I-155TS earthmover to prevent any unnecessary damage.



CAUTION! The I-155TS earthmover must be pushed in a straight line with a maximum of a 150 hp dozer. Do not ram or jar the earthmover while pushing and push at a constant speed.



TROUBLESHOOTING

Introduction

With proper care and maintenance, the I-155TS will give many years of reliable service. When a situation arises where the earthmover performance is not satisfactory, this section will give some pointers on finding and correcting the problem.

Grease zerk will not take grease.

1. Grease zerk plugged.
 - a) Remove and replace grease zerk.
2. Pin is frozen.
 - a) Remove, clean, and inspect pin.
 - b) Replace pin if necessary.
3. Bushing grease passage is not aligned with grease zerk.
 - a) Remove, clean, inspect, and realign bushing.
 - b) Replace bushing if necessary and realign.

Cylinders will not hold in preset position, i.e. the cylinder creeps.

1. Seals leaking internally.
 - a) Remove and replace seal kit.

Machine cuts unevenly.

1. Cutting edges worn unevenly.
 - a) Replace cutting edges.
2. Improperly inflated tires.
 - a) Check air pressure in tires.

Apron closes slowly

or

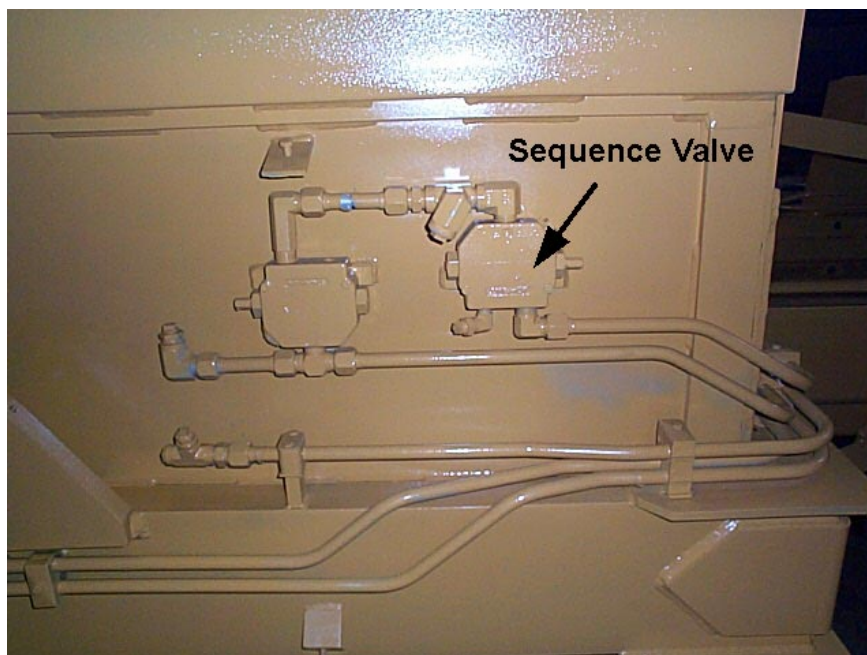
Apron and push-off are not working well together.

1. Sequence valve needs adjusting.
 - a) Remove acorn nut from end of sequence valve with a ½" wrench. Turn adjustment screw, using a 4mm hex wrench, clockwise until front apron rises before the push-off advances while the earthmover is empty. Turn the adjustment screw an additional ¼ turn clockwise, then replace the acorn nut and tighten.
 - b) Torque check valve assembly and int. pilot plug to 25 ft-lbs maximum.

CAUTION! Overtightening check valve assembly and int. pilot plug will cause internal damage to the sequence valve.



Note: Check valve assembly may leak slightly when torqued to 25 ft-lbs.



Limited Warranty Statement

Ashland Industries Inc. warrants each new product to be free from defects in material and workmanship. This warranty is applicable only for the normal service life expectancy of the product or components, not to exceed six consecutive months from the date of delivery of the new Ashland Industries product to the original purchaser, or the date the product is first put into service via a rental agreement or other means, whichever occurs first.

Genuine Ashland Industries Inc. replacement parts and components will be warranted for 30 days from date of purchase, or the remainder of the original equipment warranty period, whichever is longer.

Under no circumstances will it cover any merchandise or components thereof, which in the opinion of the company, has been subjected to misuse, unauthorized modification, alterations, an accident or if repairs have been made with parts other than those obtained through Ashland Industries Inc.

Ashland Industries Inc. in no way warrants Tires since these items are warranted separately by their respective manufacturer. Please call Ashland Industries Inc. to receive phone numbers of tire suppliers.

Ashland Industries Inc. in no way warrants wearable items such as cutting edges, front dolly wheel balls, socket halves, bushings, rollers, pins, etc..

Our obligation under this warranty shall be limited to repairing or replacing, free of charge to the original purchaser, any part that, in our judgement, shall show evidence of such defect, provided further that such part shall be returned within 30 days from the date of failure to Ashland Industries Inc. routed through the dealer and distributor from whom the purchase was made, transportation charges prepaid. Upon warranty approval proper credits will be reimbursed for transportation.

This warranty shall not be interpreted to render Ashland Industries Inc. liable for injury or damages of any kind or nature to person or property. This warranty does not extend to the loss revenue, extra labor cost associated with downtime, substitute machinery, rental or for any other reason.

Except as set forth above, Ashland Industries Inc. shall have no obligation or liability of any kind on account of any of its equipment and shall not be liable for special or consequential damages. Ashland Industries Inc. make no other warranty, expressed or implied, and, specifically, Ashland Industries Inc. disclaims any implied warrant or merchantability or fitness for a particular purpose. Some states or provinces do not permit limitations or exclusions of implied warranties or incidental or consequential damages, so the limitations or exclusion in this warranty may not apply.

This warranty is subject to any existing conditions of supply which may direct affect our ability to obtain materials or manufacture replacement parts.

Ashland Industries Inc. reserves the right to make improvements in design or changes in specifications at any time, without incurring any obligation to owners of units previously sold

No one is authorized to alter, Modify or enlarge this warranty nor the exclusion, limitations and reservations.