

# Ashland

## EARTHMOVERS



# I-130TS2

## PARTS MANUAL

ver. 0209-22128



Ashland Industries Inc.  
1115 Rail Drive  
P.O. Box 717  
Ashland, WI. 54806  
Ph: 877-634-4622 Toll Free  
Ph: 715-682-4622  
Fx: 715-682-9717  
[www.ashlandind.com](http://www.ashlandind.com)

MEMBER



CONSTRUCTION INDUSTRY  
MANUFACTURERS ASSOCIATION





## **HOW TO ORDER PARTS:**

### **IMPORTANT**

Parts must be ordered through your local authorized ASHLAND dealer.

Be sure to state MODEL and SERIAL NUMBER of your machine, PART NUMBER, DESCRIPTION and QUANTITY needed.



Unless this is done, we cannot provide prompt service or assure shipment of the correct parts.

Ashland Industries weldable replacement parts are available to rebuild, modify or update your scraper to current factory specifications.

## **Index**

Page 2.	Safety Guidelines
Page 3.	Operators and Maintenance Instructions
Page 4.	Swivel Hitch – Illustrations and Parts List
Page 5.	Front End Assembly – Illustration and Parts List
Page 6.	Apron Assembly – Illustration and Parts List
Page 7.	Bowl and Frame – Illustration and Parts List
Page 8.	Push Off Gate Assembly – Illustration and Parts List
Page 9.	Rear Wheel and Hub Assembly – Illustration and Parts List
Page 10.	Apron Cylinder 4" X 13" –Illustration and Parts List
Page 11.	Lift Cylinder 5" X 16" – Illustration and Parts List
Page 12.	Push Off Cylinder 4-1/2" X 54" – Illustration and Parts List
Page 13-15.	Sequence Valve – Illustration, Parts List and Adjustment
Page 16-18.	Service Manual Appendix
Page 19-20.	Troubleshooting
Page 21.	Warranty Statement



## SAFETY SIGNAL WORDS

Note the use of the signal words DANGER, WARNING and CAUTION with the safety messages. The appropriate signal word for each has been selected using the following guidelines:



**DANGER:** Indicates an imminently hazardous situation that, if not avoided, will result in death or serious injury.

This signal word is to be limited to the most extreme situations typically for machine components which, for functional purposes, cannot be guarded.



**WARNING:** Indicates a potentially hazardous situation that, if not avoided, could result in death or serious injury, and includes hazards that are exposed when guards are removed. It may also be used to alert against unsafe practices.



**CAUTION:** Indicates a potentially hazardous situation that, if not avoided, may result in minor or moderate injury. It may also be used to alert against unsafe practices.



## GENERAL SAFETY GUIDELINES

Safety of the operator is one of the main concerns in designing and developing a new piece of equipment. Designers and manufacturers build in as many safety features as possible. However, every year many accidents occur which could have been avoided by a few seconds of thought and a more careful approach to handling equipment. You, the operator, can avoid many accidents by observing the following precautions in this section. To avoid personal injury, study the following precautions and insist those working with you, or for you, follow them.

Replace any CAUTION, WARNING, DANGER or instruction safety decal that is not readable or is missing. Location of such decals is indicated in this booklet.

Do not attempt to operate this equipment under the influence of drugs or alcohol.

Review the safety instructions with all users annually.

This equipment is dangerous to children and persons unfamiliar with its operation. The operator should be a responsible adult familiar with farm machinery and trained in this equipment's operations. **Do not allow persons to operate or assemble this unit until they have read this manual and have developed a thorough understanding of the safety precautions and of how it works.**

To prevent injury or death, use a tractor equipped with a Roll Over Protective System (ROPS). Do not paint over, remove or deface any safety signs or warning decals on your equipment. Observe all safety signs and practice the instructions on them.

Never exceed the limits of a piece of machinery. If its ability to do a job, or to do so safely, is in question - **DON'T TRY IT.**

# OPERATORS AND MAINTENANCE INSTRUCTIONS

This scraper is a durable piece of equipment and with proper care will yield many years of trouble free operation. The scraper requires a power source with TWO 4 way (double acting) hydraulic control valves.

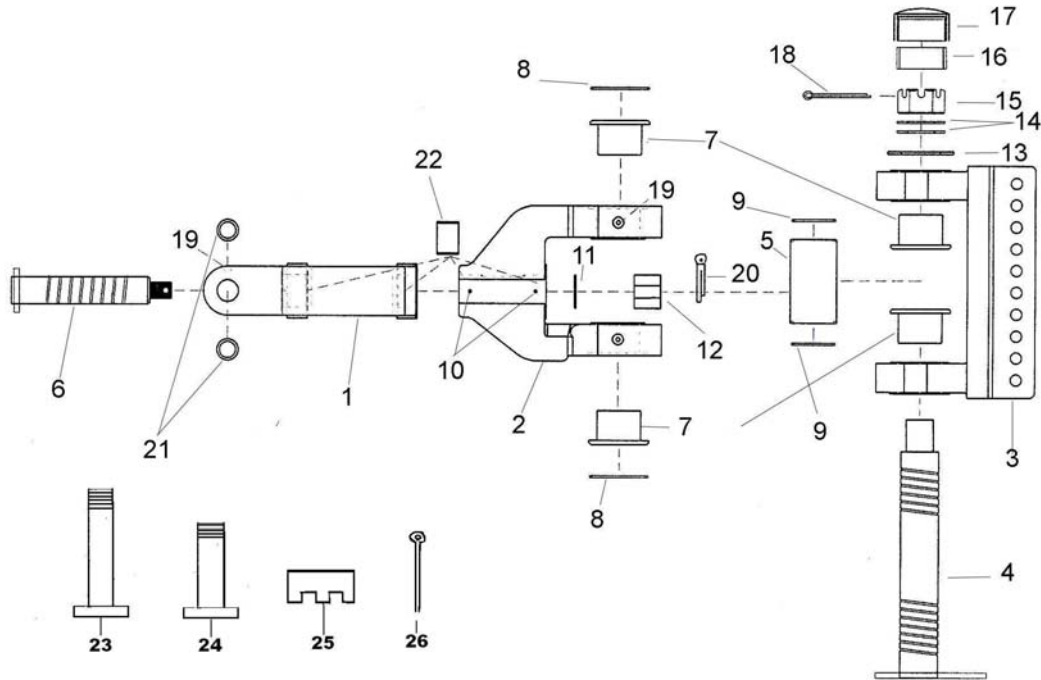
The scraper should be greased at all points where grease fittings are provided. Connect hydraulic hoses to the tractor and retract lift cylinders to **REMOVE TRANSPORT LOCK PINS** (point A), then extend and retract all cylinders several times to force out any air from the hydraulic cylinders and lines. Check the oil levels in the tractor hydraulic system and add to maintain the proper level. Care should be used when adding oil or when disconnecting any oil line to keep all dirt out of the oil as dirt is a major factor in the failure of hydraulic components.

When the scraper is placed into operation, the operator will have to "feel out" the amount of depth of cut to obtain maximum loading efficiency. This is usually accomplished by taking a lesser and more uniform cut; however, some soil conditions such as loose sand may require a "pumping action" obtained by taking successive deep cuts and lifting out of cut as the tractor begins to lose power or traction.

1. After 10 hours work, all bolts should be checked and tightened if necessary.
2. Every 10 hours all grease fittings should be lubricated.
3. After 50 hours work, all bolts should be rechecked and tightened if necessary. Check wheel bearings and adjust if necessary.
4. After 300 hours work, clean and repack wheel bearings and replace, if necessary, cutting edges, worn pins, etc.

# I-130 TS2

## Swivel Hitch Assembly

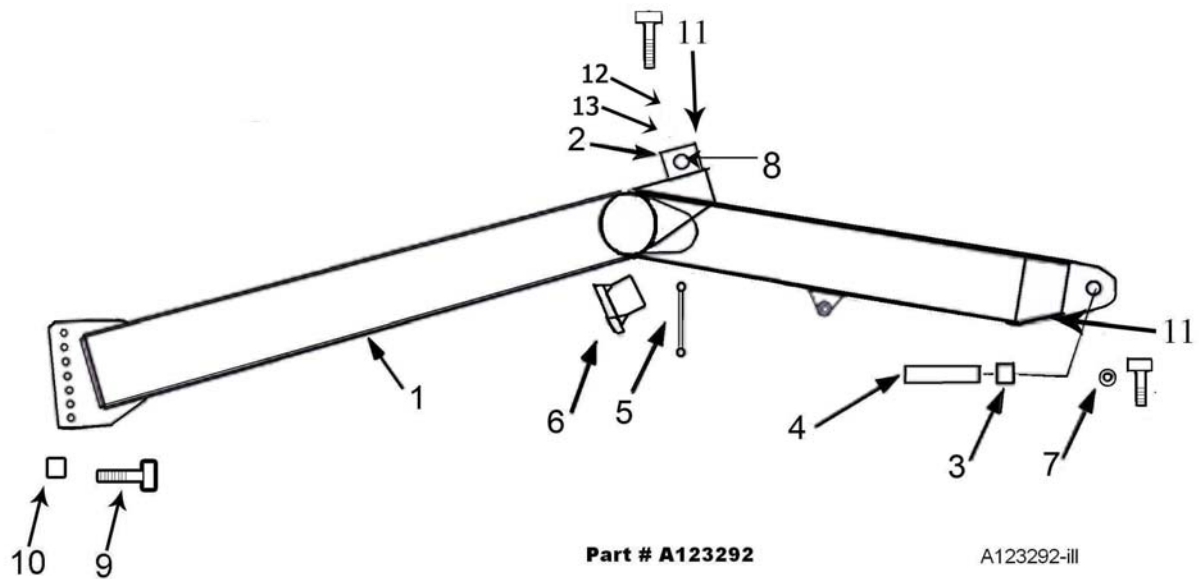


**Part # A125223**

Key Number	Part Number	Description
1	A125223-01	Yoke: A-Frame
2	A125223-02	Swivel
3	A125223-03	Bracket: 10 Hole
4	A125223-04	Pin: Main Vertical
5	A125223-05	Spacer: 6"
6	A125223-06	Pin Horizontal
7	A125223-07	Bushing
8	A125223-08	Seal: O-ring
9	A125223-09	Seal: O-ring
10	AFH-00028	Grease Fitting: 90°
11	A125223-11	Washer- 1-1/2" For Horizontal Pin
12	A125223-12	Nut: Slotted 1-1/2" NC
13	A125223-13	Spacer: 6"
14	A125223-14	Washer: 2 1/2"
15	A125223-15	Nut: Slotted 2-1/2" NC
16	A125223-16	Sleeve: 2" Rubber
17	A125223-17	Cap: For Vertical Pin
18	A125223-18	Pin: Cotter 3/8 x 5"
19	14505	Grease Fitting Straight
20	8613	Cotter Pin: 5/16 x 2-1/2"
21	A125056-24	Bushing
22	A125056-27	Bushing
23	A123299-08	4-Ear Drawbar to Hitch Pin
24	A123299-07	2-Ear Drawbar to Hitch Pin
25	AFN-00014	1 1/2" Castle Nut
26	AFP-00001	1/4" X 3" Cotter Pin

# I-130 TS2

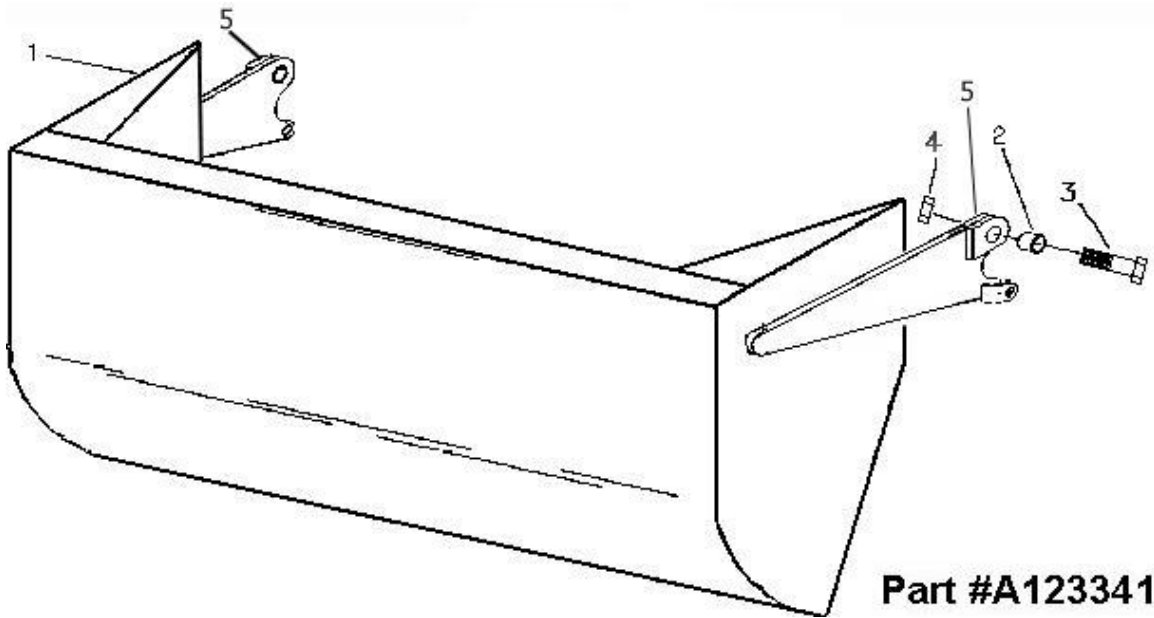
## Front End



Key Number	Part Number	Description
1	A123292	Front End Assembly
2	A123456	Trunion Mount Block
3	A14039	"Bushing, 2-3/8" OD x 2" ID x 2" Long with Grease passage"
4	A10152A	"Frame Attachment Pin, 2" x 8-1/16"
5	A123292-17	Travel Lock
6	A125006	Safety Snap Pin
7	AFB-00054	Bolt: 1/2" x 3-1/2" x 7500 Nut
8	A125179	Bushing
9	AFB-00021	Bolt 1" x 5-1/2" NC Gr.8
10	AFN-00037	Nut 1" NC Locknut
11	AHF-00028	Fitting Grease 90° 1/8 NPT
12	AFB-00039	Bolt: 3/4 X 5 1/2" NC Gr. 8
13	AFW-00002	3/4" Lockwasher

# I-130 TS2

## Apron Assembly



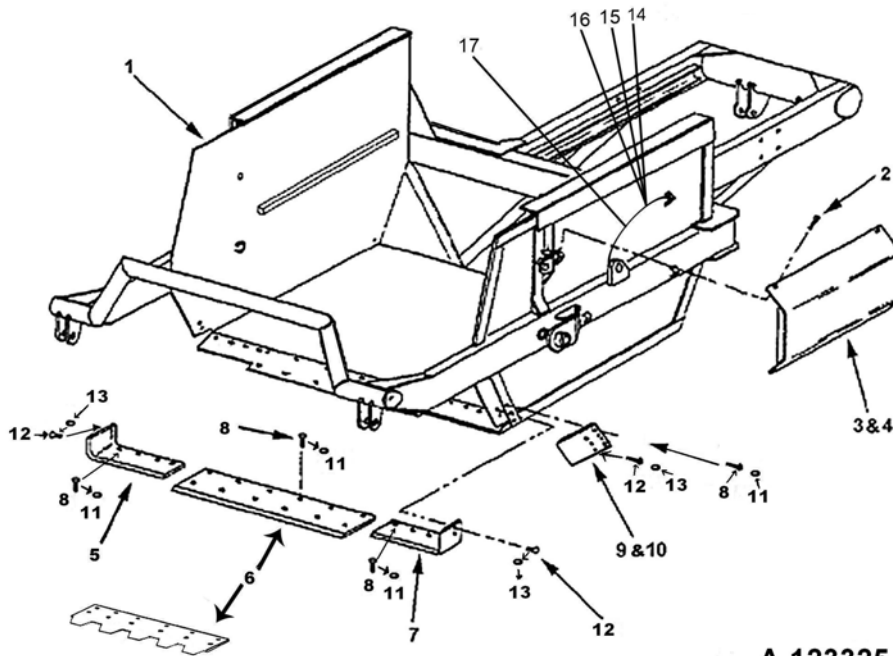
**Part #A123341**

Key Number	Part Number	Description
1	A123341	Apron
2	A123343	Bushing: 2" OD X 1-1/2" ID x 1-3/4" Long
3	AFB-00038	"Bolt, 1-1/2" NF x 5-1/2" long"
4	AFN-00018	"Nut, Self lock 1-1/2" NF"
5	14505	Grease fitting



# I-130 TS2

## Bowl & Frame Assembly



A-123325-ill

**Blade Bolts Required:**

		<b>Qty</b>
A123331 (& Ser)	PB9P-NC-088-0275	(12)
A123332L & R	PB9P-NC-088-0275	(4)
	PB9P-NC-088-0225	(2)
A123338L & R	PB9P-NC-088-0275	(4)
	PB9P-NC-088-0225	(3)

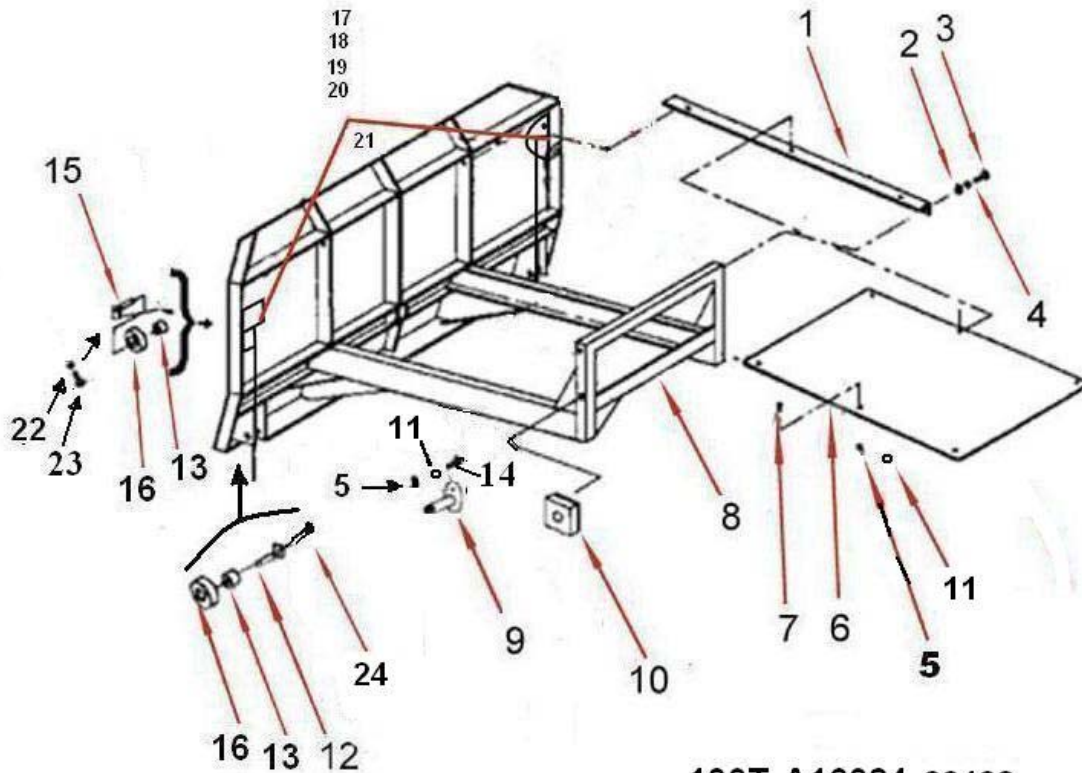
<b>Key Number</b>	<b>Part Number</b>	<b>Description</b>
1	A123325	Bowl and Frame I-130TS
2	AFB-00094	"Flange Bolt, 3/8" NC x 1"
3	A123309-62L	Left hand cylinder guard
4	A123309-62R	Right hand cylinder guard
5	A123332R	"Left cutting edge, 8"
6	A123331	"Center cutting edge, 13" x 54"
	A123331-SER	Optional Center Cutting Edge 13" X 54" Hardened
7	A123332L	"Right cutting edge, 8"
8	PB9P-NC-088-0275	"Plow bolt, 7/8" NC x 2-3/4"
9	A123338L	(Optional) Left Bank Shaver Side Blade
10	A123338R	(Optional) Right Bank Shaver Side Blade
11	AFN-00019	Nut: 7/8" NC
12	PB9P-NC-088-0225	"Plow bolt, 7/8" NC x 2-1/4"
13	AFN-00026	Nut: 7/8" NC Jam
14	A125019	Grease fitting 1/4-28 x .54" long (1 per side)
15	A125026	Bulkhead nut 1/8 n.p.s.m. (1 per side)
16	A123309-89	Single hole tab (1 per side)
17	A125022	18" Grease line (1 per side)



# I-130 TS2

## Push Off Gate Assembly 130TS

Part # A16024



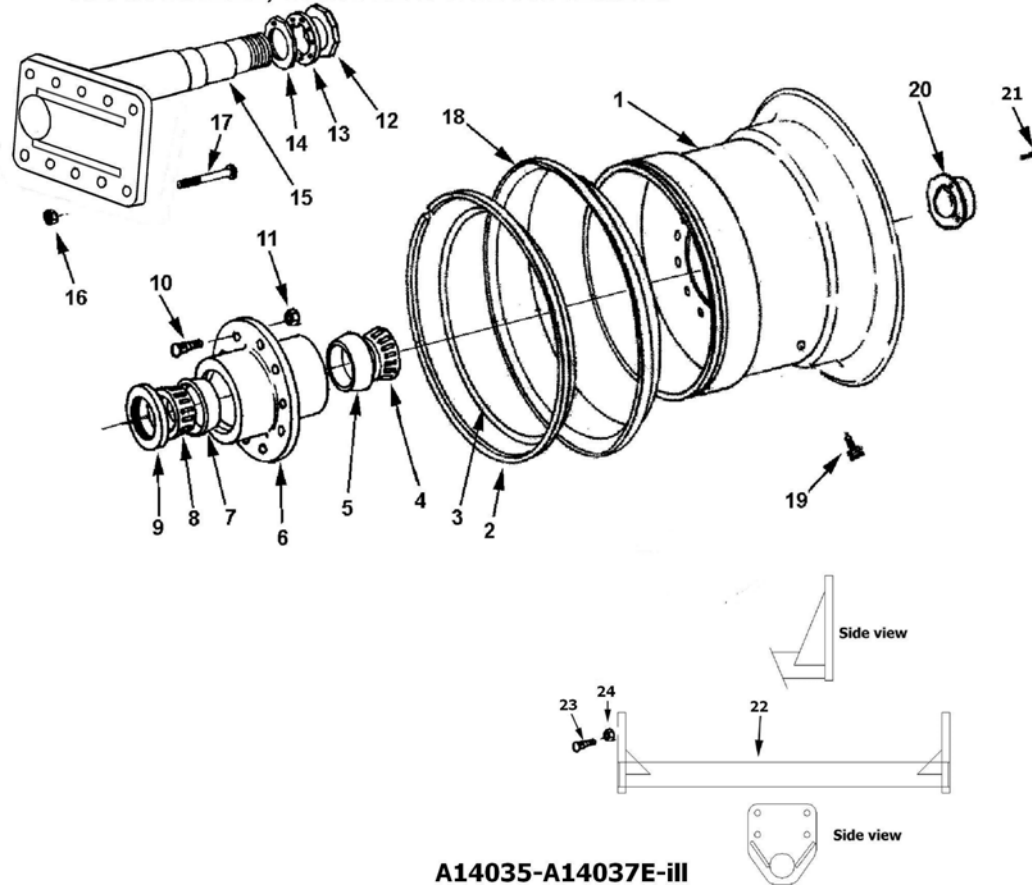
130T-A16024-22128

Key Number	Part Number	Description
1	A10159	Brace (L.H. & R.H. same)
2	AFN-00006	Nut: 3/4" NC
3	AFB-00037	Bolt: 3/4" NC X 2" Lg.
4	AFW-00002	Lockwasher: 3/4"
5	7500	Nut: 1/2" NC
6	A10171	Dirt Shield
7	AFB-00019	Bolt: 1/2" X 1/2" NC
8	A16024	Push Off Gate: Model 130
9	A123305A	Pin: 1 1/4 X 2 3/4"
10	A123353	Wear Pad
11	8100	Lockwasher: 1/2"
12	A123323-21	Pin: Lower Roller 1 1/4" X 5 1/4"
13	A10163	Bushing: 1 3/4" OD X 1 1/4" ID
14	AFB-00033	Bolt: 1/2 NC X 2 1/2"
15	500465	Pin: 1 1/4" X 7"
16	A10164	Roller: 4 1/4" OD X 1 3/4" ID
17	A125020	32" grease line
18	A123323-40	Double Hole Tab
19	A125026	Bulkhead Nut
20	A125021	54' greaseline
21	A125019	Greasefitting 1/4-28 54" Long
22	A123358	Pin Keeper Bushing
23	AFB-00079	Bolt: 5/8" X 1 1/2" Gr. 8
24	AFP-00001	Cotter Pin: 1/4 X 3 1/2"

# I-130 TS2

## Rear Wheel Spindle & Hub Assembly

### REAR WHEEL, SPINDLE & HUB ASSEMBLY

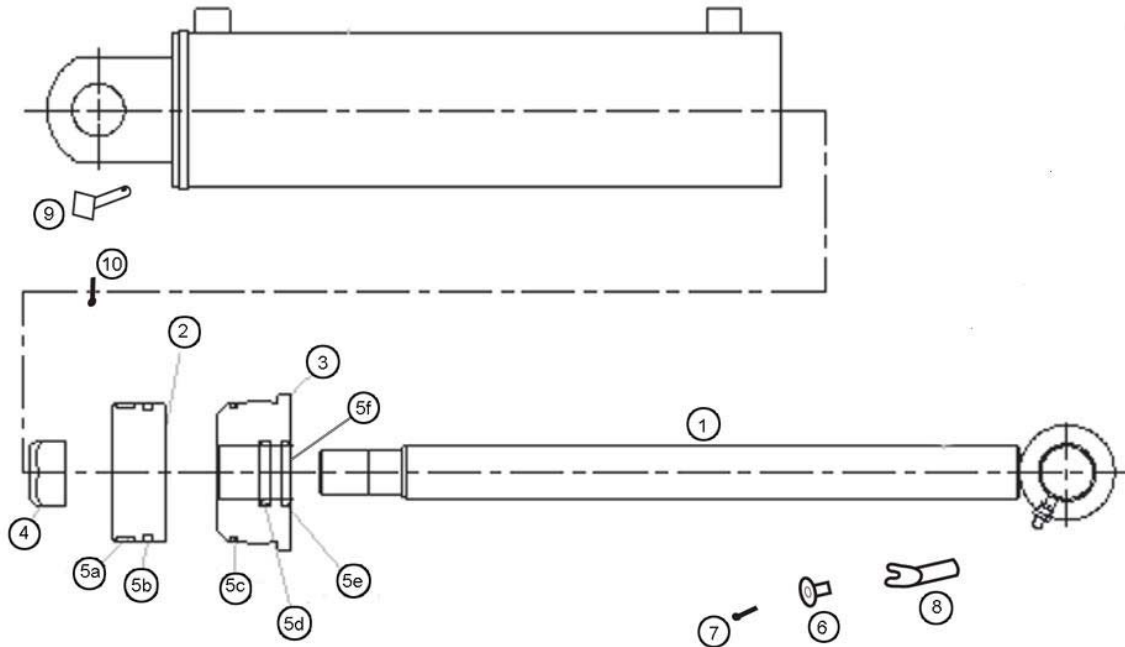


A14035-A14037E-ill

Key Number	Part Number	Description
1	A14035	Wheel - 17" x 25"
2	A14008	Lock Ring
3	A14038	O-Ring
4	A14015	Bearing cone
5	A14014	Bearing cup
6	A14010	Hub
7	A14013	Bearing cup
8	A14012	Bearing cone
9	A14011	Grease seal
10	A10176	Stud
11	A10046	Lug nut
12	A10048	Spindle nut
13	A10049A	Lock collar
14	A10172	Nut w/ lock pin
15	A14037E	Spindle
16	AFN-00001	"Nut, 1" NF Toplock"
17	AFB-00017	"Bolt, 1" NF x 6-1/2" lg."
18	A14036	Slide Ring
19	A14016	Valve Stem
20	A14004	Hub Cap
21	AFB-00080	"Bolt, 5/16" NC x 1/2" lg."
22	A14037P	Cross pipe
23	AFB-00092	"Bolt: 1" X 4" Lg. NF Gr 8
24	AFN-00001	"Nut: 1" NF Top Lock, 8 Reg"

# I-130 TS2

## Apron Cylinder 4" x 13" Part #A125050

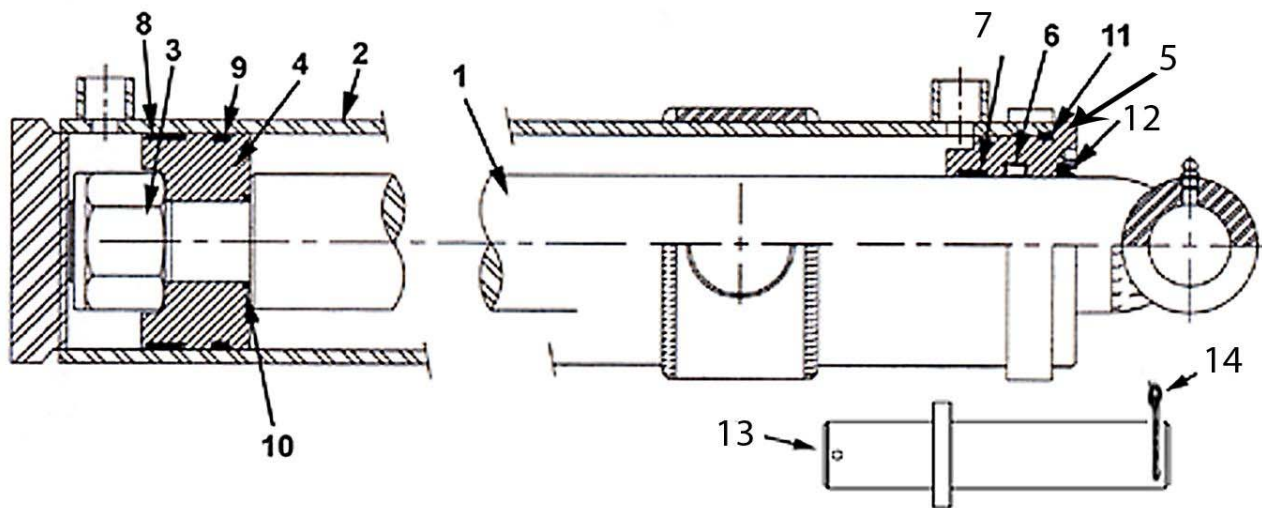


A-125050-III

Key Number	Part Number	Description
1	A125050-01	Rod 1-3/4" with welded eye
2	A125050-02	Piston
3	A125050-03	"Gland, Threaded"
4	A125050-04	"Lock Nut, 1-1/8" NF"
5	A125050-05	"Seal Kit, a-f"
5a	A125050-05a	Nylon Wear Ring
5b	A125050-05b	FSP Seal
5c	A125050-05c	O-Ring
5d	A125050-05d	Backup Washer
5e	A125050-05e	Hallite Rod Seal
5f	A125050-05f	Snap-in Rod Wiper
6	A123351	Bushing, Retaining Flange 9/16 ID X 3/4 OD. 3/4 Lg.
7	AFB-00015	HHCS 1/2" NC X 1 1/2" Bolt, Gr. 8
9	A123363	Pin: 1 1/2" Square Head
10	8602	Pin: Cotter 1/4" X 2" Zinc

# I-130 TS2

## Lift Cylinder Trunion Mount 5 X 16" Part Number A123324

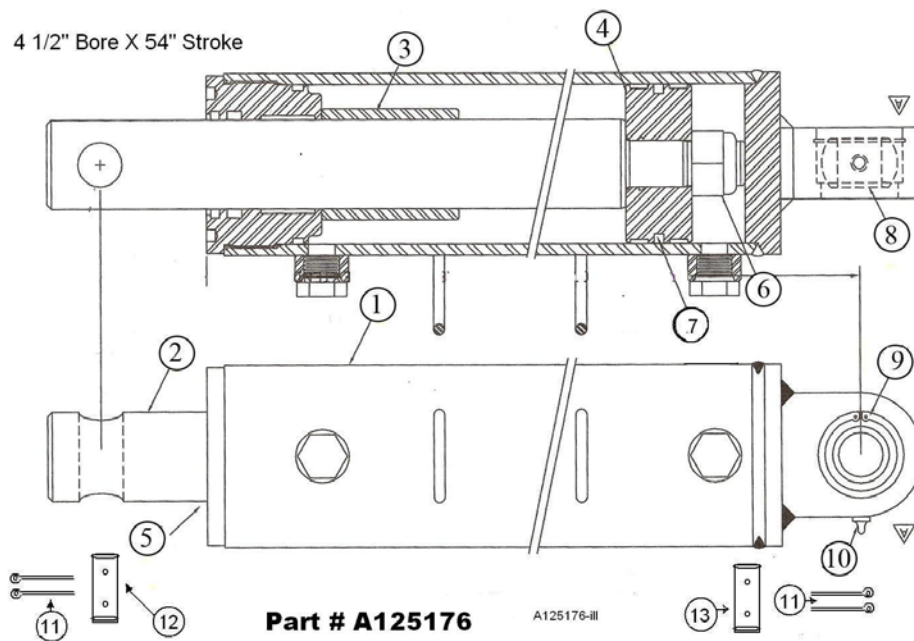


Part #A-123324

Key Number	Part Number	Description
1	A123324-1	2-1/2" Rod
2	A123324-2	Barrel Weldment
3	A125159-34	1-3/4 NF Lock Nut
4	A123324-4	Piston
5	A123324-5	Gland
6	A123324-6	Rod Seal
7	A123324-7	Wear Bond
8	A123324-8	Wear Ring
9	A123324-9	Piston Seal (2-pc.)
10	A123324-10	O-ring
11	A123324-11	O-ring
12	A123324-7	Rod Wiper
13	A123381	Pin 1-1/2" x 10-3/4
14	AFP-00001	1/4" x 3" Cotter Pin
	AHS-00140	Seal Kit (Items 6-12)

# I-130 TS2

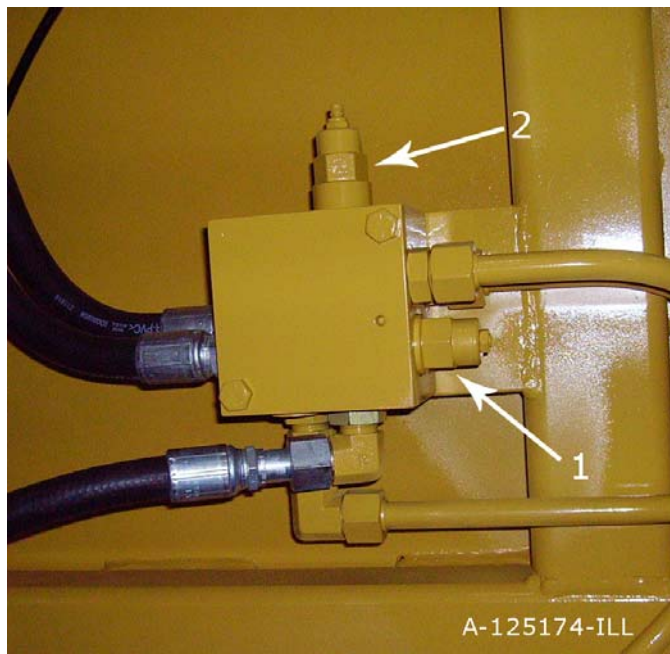
## Push Gate Cylinder 4-1/2 Bore x 54 Stroke



Key Number	Part Number	Description
1	A125176-10	Barrel Weldment
2	A125176-20	Shaft
3	A125176-32	Spacer
4	A125176-30	Piston
5	A125176-31	Head
6	A125175-33	1 1/4" Nylock Nut
7	A125176-40	Seal Kit
8	A125175-35	Bearing
9	A125175-36	Snap Ring
10	A125175-37	Grease Zerk
11	8602	1/4 X 2 Cotter Pin
12	A14033	Pin: Rod End
13	A9024	Pin: Barrel End

# I-130 TS2

## Hydraulic Manifold Assembly



**IMPORTANT:** This Hyd. Manifold was integrated into production April, 2006 It replaces A125070 valve.

For older machines see master parts book on Ashlandind.com.

### HYDRAULIC MANIFOLD ASSEMBLY

#### A125174

### SETTING THE APRON AND PUSHOFF VALVE

The manifold block containing the pushoff sequence valve cartridge and apron sequence valve cartridge is used to control two hydraulic circuits with one hydraulic remote. When the tractor hydraulic remote is activated, oil flows first to the apron cylinders until they are fully extended. Once the cylinders are fully extended, the apron circuit's hydraulic pressure begins to increase. Once the pressure threshold is surpassed (which is adjustable, see adjustment section), the sequence valve diverts the oil flow to the pushoff's hydraulic circuit. Once the push off is completely extended, the operator then reverses the tractor's hydraulic remote. The counterbalance valve will hold the apron open until the push off is fully retracted. The Apron sequence valve then opens and allows the apron to close.

#### Setting the valves:

##### STEP 1 PUSHOFF SEQUENCE VALVE

Loosen the lock nut (9/16") on the sequence valve cartridge. Turn the setscrew (4mm) clockwise until the front apron rises before the push-off begins to advance. (Earthmover should be empty) Turn the adjustment screw an additional 1/4 turn clockwise and tighten jam nut.

##### STEP 2 Counter Balance VALVE

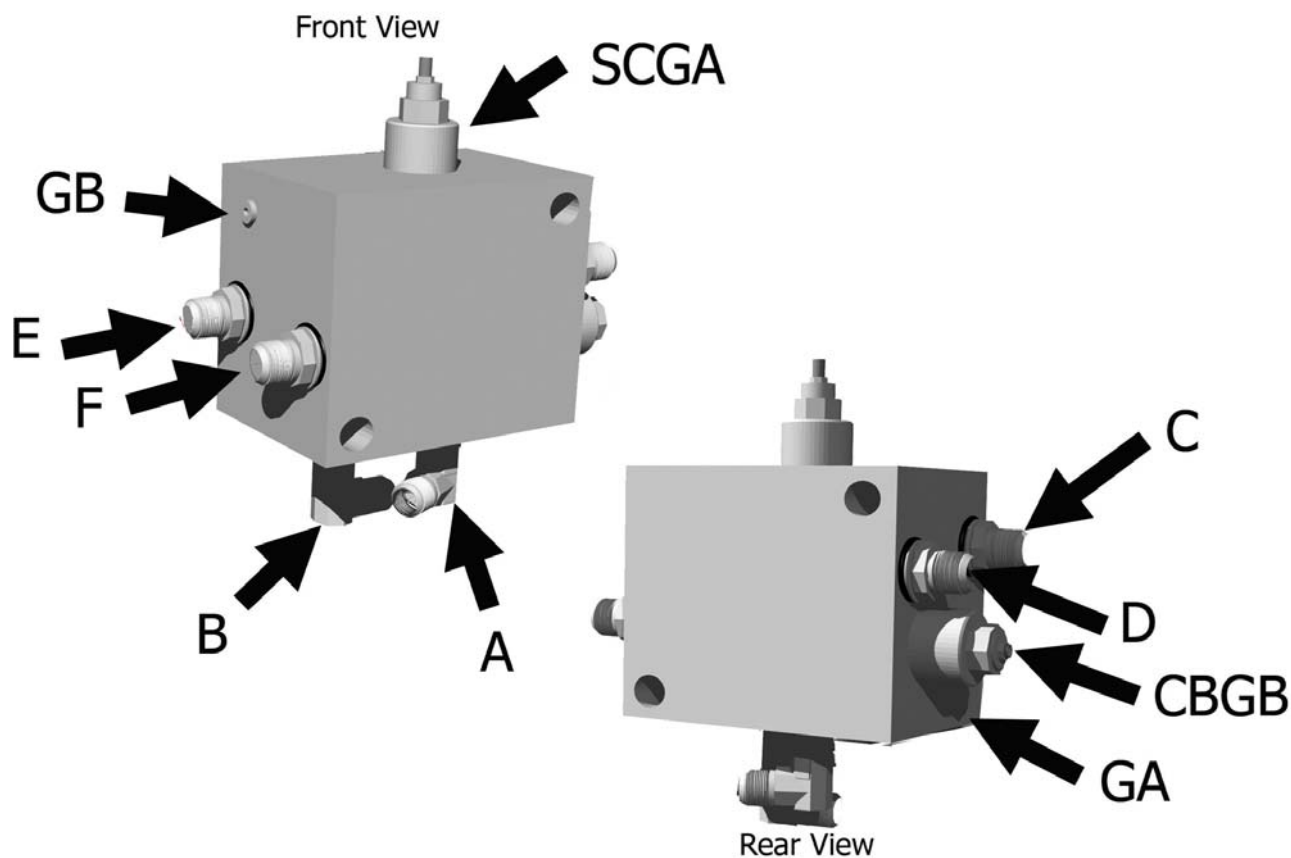
Loosen the lock nut (9/16") on the counterbalance valve cartridge. Turn the setscrew (4mm) counter-clockwise until the apron holds in a raised position while rear gate is being retracted. Turn adjustment screw an additional 1/4 turn, tighten jam nut. DO NOT tighten adjusting screw more than necessary.

Key Number	Part Number	Description
1	A125162-01	COUNTER BALANCE CARTRIDGE
2	A125162-02	SEQUENCE CARTRIDGE



# I-130 TS2

## Hydraulic Valve Assembly Ports



The lettering for the port locations are stamped on the block

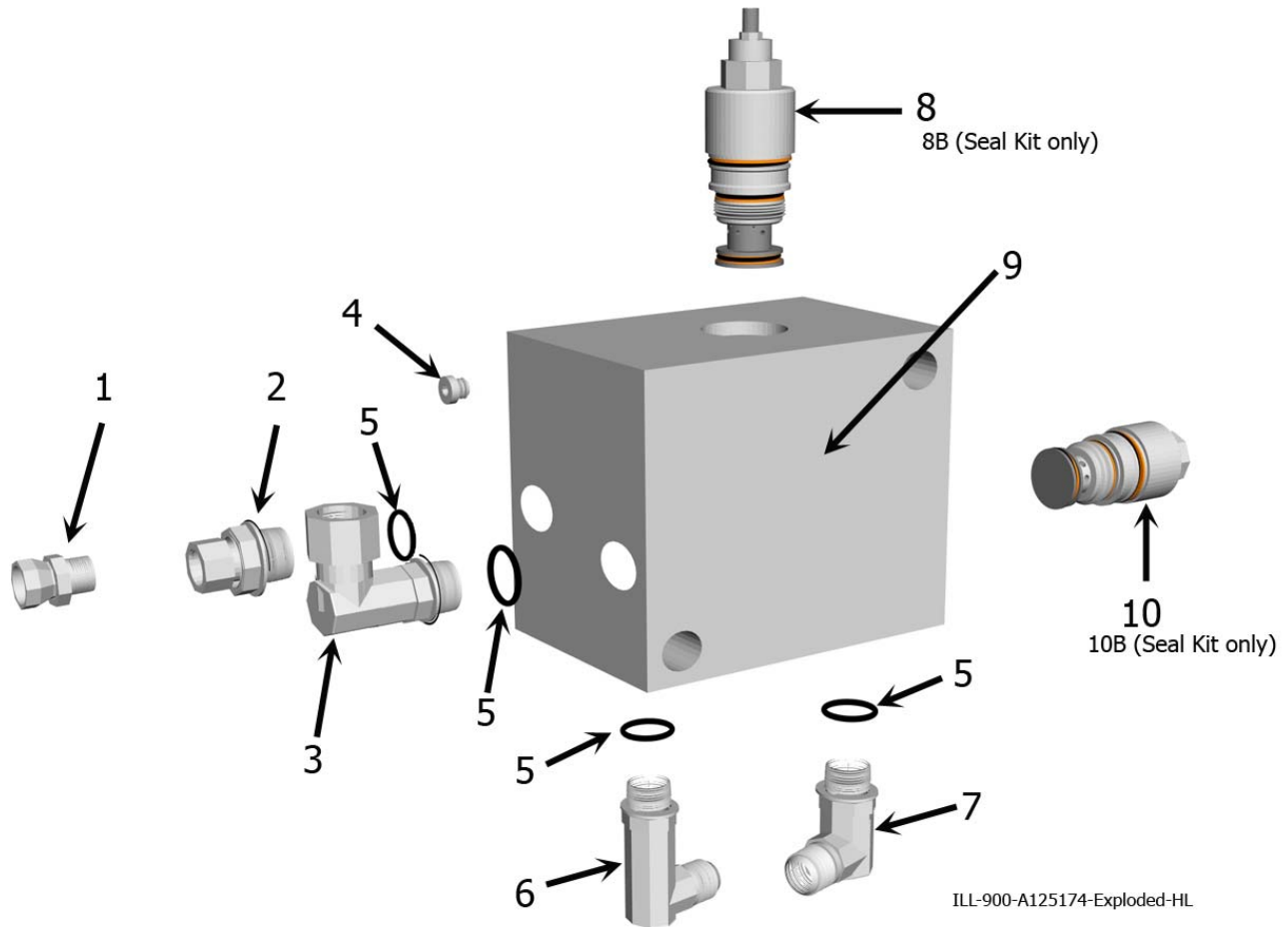
A125174 Port Locations.ILL

Key Number	Description
A	Supply Line
B	Pushoff Cyl. (Rod End)-Apron Cyl., Right side (Rod end)-Supply Line
C	Pushoff Cylinder, (Base End)
D	Apron Cylinder, Right side, (Base End)
E	Apron Cylinder, Left side, (Rod End)
F	Apron Cylinder, Left Side, (Base End)
CBGB	Counterbalance Valve, adjustable
SCGA	Sequence Valve, adjustable
GA	Pressure test port
GB	Pressure test port



# I-130 TS2

## Hydraulic Valve Seals



<u>ITEM</u>	<u>PART NO.</u>	<u>DESCRIPTION</u>
1	AHA-00076	Adapter: Str. Swiv 1/2 MP X 1/2 FP. 109 Rest
2	AHA-00043	Adapter: Str. Sw. 1 1/16 M ORB X 1/2 FP
3	AHA-00048	Adapter: 90 Deg. Swiv. 1 1/16 M ORB X 1/2 FP
4	AHA-00046	6 ORB Plug
5	AHS-00153	O-ring for 12 M ORB Fitting
6	AHA-00047	Adapter: 90 Deg. XL 3/4 MJ X 1 1/16 M ORB
7	AHA-00044	Adapter: 90 Deg. 3/4 MJ X 1 1/6 M ORB
8	A125162-02	Valve: Sequence Cartridge for Ver. III & IV
9	A125174	Valve: Manifold Block IV Body
10	A125162-01	Valve: Counterbalance Cartridge for Ver. III & IV
<u>Seal Kits:</u>	A125162-01KIT	Seal Kit for A125162-01 Valve Cartridge
	A125162-02KIT	Seal Kit for A125162-02 Valve Cartridge

# MAINTENANCE CHECKLIST

---

1. Grease all zerks.
  - a) Every 8 hours of operation.
  - b) See Lubrication Points section on next page.
  
2. Greasing the hubs.
  - a) Re-pack wheel bearings after 600 hrs of operation.
  - b) Completely clean grease out of hub and bearings every 1200 hours of operation.
  
3. Check tire pressure.
  - a) 20.5 - 25, 12-ply tire requires a tire pressure of 35-40 psi on a rear machine, 40-50 on a front machine.
  
4. Check all pins for signs of wear.
  - a) Daily
  
5. Check wheel lug nut torque.
  - a) After first 2 hours of operation.
  - b) Recheck daily for next 2 weeks.
  - c) Tighten wheel lug nuts in a star pattern.
  - d) Torque wheel lug nuts to 450 ft-lbs.
  
6. Check and retighten all bolts.
  - a) After initial 10 hours of use.
  - b) Again after 50 hours of use.
  - c) See Torque Specifications on next page.
  
7. Inspect cutting edges.
  - a) Daily
  - b) Replace cutting edges when center blade has been worn to approximately 6" and side edges worn to approximately 4".



**CAUTION!** Failure to replace worn cutting edges may result in unnecessary wear to the earthmover sides and floor.

Note: Please specify left or right "L" shaped cutting edges when ordering replacements.

Bolt Diameter	Torque Ft-lbs
1/4	12
5/16"	25
3/8"	45
7/16"	70
1/2"	110
9/16"	150
5/8"	220
3/4"	380
7/8"	600
1"	900
1-1/8"	1280
Lug Nuts	750

**LUBRICATION**

---

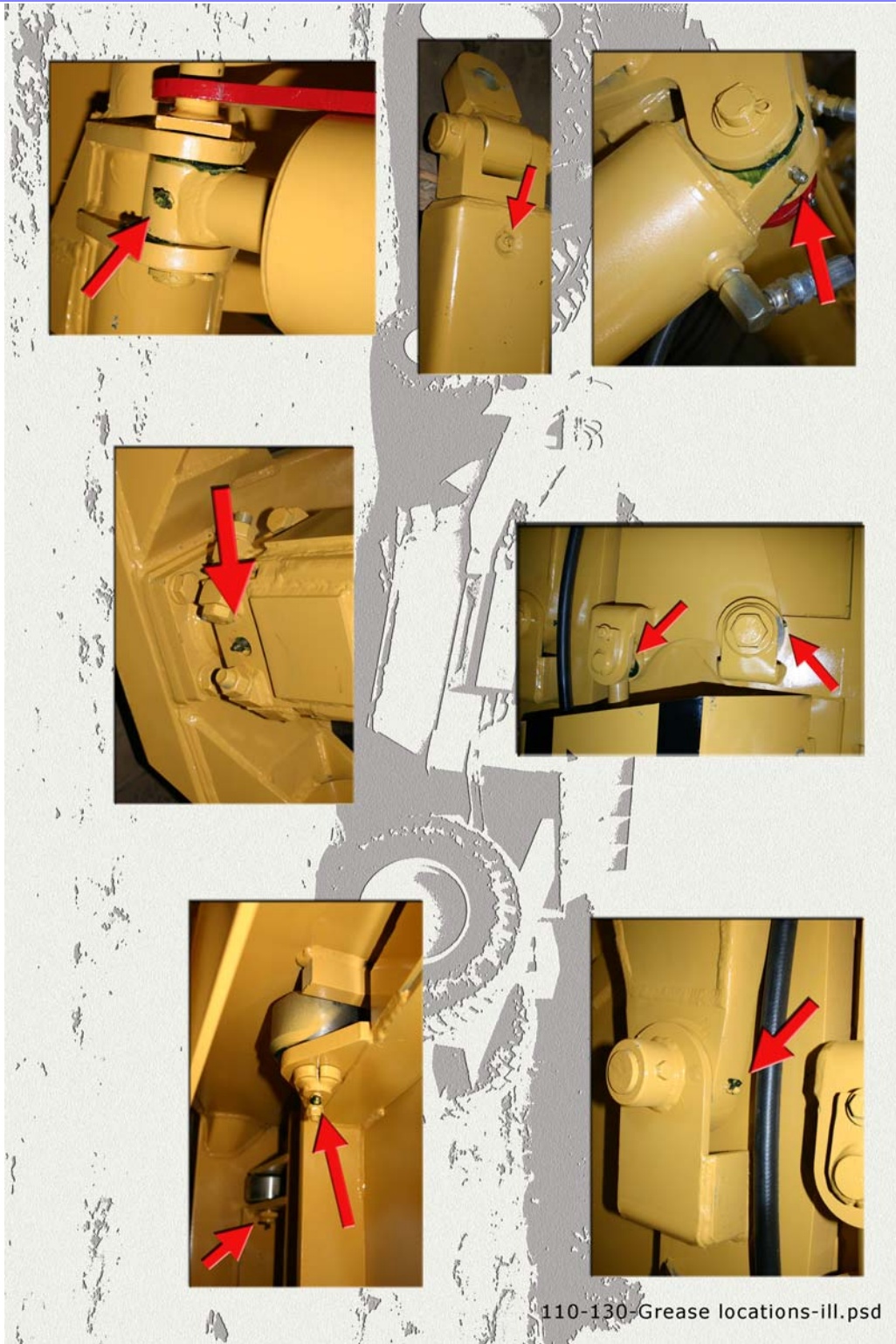
1. Grease all zerks every 8 hrs of operation with high quality, general-purpose grease.
  - a) Grease until grease flows from around pin.

**Lubrication Points** (see III.)

1. Hitch – Horizontal and vertical pins.
2. Lift Cylinders – Rod end & Trunion; Both left & right sides.
3. Front Arm Pivot Joint – Both left & right sides.
4. Apron Cylinders – Rod clevis pin; Both left & right sides.
5. Apron Pivot Pin – Both left & right sides.
6. Hold-down Rollers – Both left & right sides.
7. Floor Rollers – Both left & right sides.
8. Tapered Rollers – Both left & right sides.

# I-130 TS2

## Grease Locations



### Introduction

---

With proper care and maintenance, the I-110TS will give many years of reliable service. When a situation arises where the earthmover performance is not satisfactory, this section will give some pointers on finding and correcting the problem.

---

### Grease zerk will not take grease.

---

1. Grease zerk plugged.
    - a) Remove and replace grease zerk.
  2. Pin is frozen.
    - a) Remove, clean, and inspect pin.
    - b) Replace pin if necessary.
  3. Bushing grease passage is not aligned with grease zerk.
    - a) Remove, clean, inspect, and realign bushing.
    - b) Replace bushing if necessary and realign.
- 

### Push-off rollers do not roll.

---

1. The rollers need lubrication.
    - a) Check zerk hole and grease.
    - b) Remove pin, clean, inspect, and replace if necessary.
  2. The roller bushing is worn out.
    - a) Remove roller assembly and replace bushing.
    - b) See parts manual.
- 

### Cylinders will not hold in preset position, i.e. the cylinder creeps.

---

1. Seals leaking internally.
    - a) Remove and replace seal kit.
- 

### Machine cuts unevenly.

---

1. Cutting edges worn unevenly.
  - a) Replace cutting edges.
2. Improperly inflated tires.
  - a) Check air pressure in tires.

## I-130 TS2

### Pushing the Earthmover



#### **PUSHING THE EARTHMOVER**

---

The I-130TS was designed to be pushed when equipped with the optional push-bar. However, Ashland Industries, Inc. **STRONGLY** recommends using extreme caution when pushing the I-130TS earthmover to prevent any unnecessary damage.

**CAUTION!** The I-130TS earthmover must be pushed in a straight line with a maximum of a 100 hp dozer. Do not ram or jar the earthmover while pushing and push at a constant speed.

## Limited Warranty Statement

Ashland Industries Inc. warrants each new product to be free from defects in material and workmanship. This warranty is applicable only for the normal service life expectancy of the product or components, not to exceed **six consecutive months** from the date of delivery of the new Ashland Industries product to the purchaser, or the date the product is first put into service via a rental agreement or other means, whichever occurs first.

The major components of swivel hitches used on Industrial series scrapers are warranted for three consecutive months from the date of delivery of the new Ashland Industries product to the purchaser, or the date the product is first put into service via a rental agreement or other means, whichever occurs first, except those components described below.

Genuine Ashland Industries Inc. replacement parts and components will be warranted for 30 days from date of purchase, or the remainder of the original equipment warranty period, whichever is longer.

Under no circumstances will it cover any merchandise or components thereof, which in the opinion of the company, has been subjected to misuse, unauthorized modification, alterations, an accident or if repairs have been made with parts other than those obtained through Ashland Industries Inc.

Ashland Industries Inc. in no way warrants Tires since their respective manufacturer warrants these items separately. Please call Ashland Industries Inc. to receive phone numbers of tire suppliers.

Ashland Industries Inc. in no way warrants wearable items such as cutting edges, front dolly wheel balls, socket halves, rollers, bushings, yoke hitch pins, hitch bushings, etc..

Our obligation under this warranty shall be limited to repairing or replacing, free of charge to the original purchaser, any part that, in our judgement, shall show evidence of such defect, provided further that such part shall be returned within 30 days from the date of failure to Ashland Industries Inc. routed through the dealer and distributor from whom the purchase was made, transportation charges prepaid. Upon warranty approval proper credits will be reimbursed for transportation.

This warranty shall not be interpreted to render Ashland Industries Inc. liable for injury or damages of any kind or nature to person or property. This warranty does not extend to the loss revenue, extra labor cost associated with downtime, substitute machinery, rental or for any other reason.

Except as set forth above, Ashland Industries Inc. shall have no obligation or liability of any kind on account of any of its equipment and shall not be liable for special or consequential damages. Ashland Industries Inc. make no other warranty, expressed or implied, and, specifically, Ashland Industries Inc. disclaims any implied warrant or merchantability or fitness for a particular purpose. Some states or provinces do not permit limitations or exclusions of implied warranties or incidental or consequential damages, so the limitations or exclusion in this warranty may not apply.

This warranty is subject to any existing conditions of supply which may direct affect our ability to obtain materials or manufacture replacement parts.

Ashland Industries Inc. reserves the right to make improvements in design or changes in specifications at any time, without incurring any obligation to owners of units previously sold

No one is authorized to alter, Modify or enlarge this warranty nor the exclusion, limitations and reservations.

Ashland Industries Inc.  
Warranty Department