



Parts Manual

HDW-3217-18



WG-HDW3217-18 6/18

Address

1115 Rail Drive
PO BOX 717
Ashland, WI USA 54806



Toll Free

(877) 634-4622

Business

(715) 682-4622

Fax

(715) 682-9717

Website

www.ashlandind.com
www.scraperdrawbar.com

Table of Contents



Introduction	3
Disc Harrow Specifications	4
Frame	5
Lift Cylinder	8
Disc Gang	9
Jack	10
Oil Bath Bearing	11
Hub & Axle	12
Decals	13
Notations	14
Operation & Maintenance	15
Safety Guidelines	16
Tire Inflation & Torque Chart	17
Tire Service	18
Hub Service	19
Warranty Statement	20



Thank you for choosing an Ashland disc harrow for your earth tilling needs. Years of research, testing, and successful application have been spent to ensure quality and maximum performance for our customers.

Quality Policy

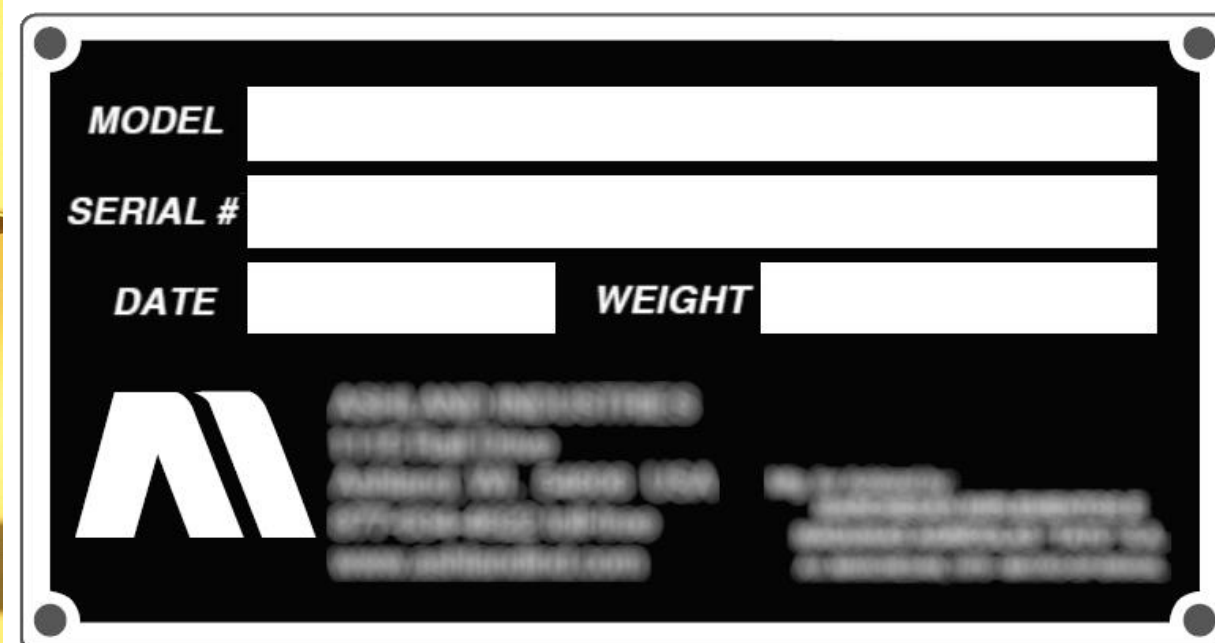
It is our mission to exceed our customers' expectations in quality, delivery, and cost through continuous improvement and customer interaction.

Please read and understand this manual before attempting to attach or operate this disc harrow. This manual should always remain with the machine. Be sure and fill out and send in the owner's registration form at the beginning of this manual, or you may fill out the form on-line by going to ashlandind.com and click on "Owner Registration" in the Parts section drop-down. If you have questions, please feel free to call or email us. You can visit us on-line at www.ashlandind.com.

Ashland Industries hours of operation are 8:00 a.m. to 5:00 p.m. CST. We can be reached toll free at: 877-634-4622.

ID Number

You can find the serial number plate for **most** machines on the front section of the frame along in the inner tube. The letter and numbers stamped identify the serial number, model number, weight, and date of manufacture. Please record this serial number for use in ordering parts, warranty issues, and to track your equipment if it is ever stolen.



Important

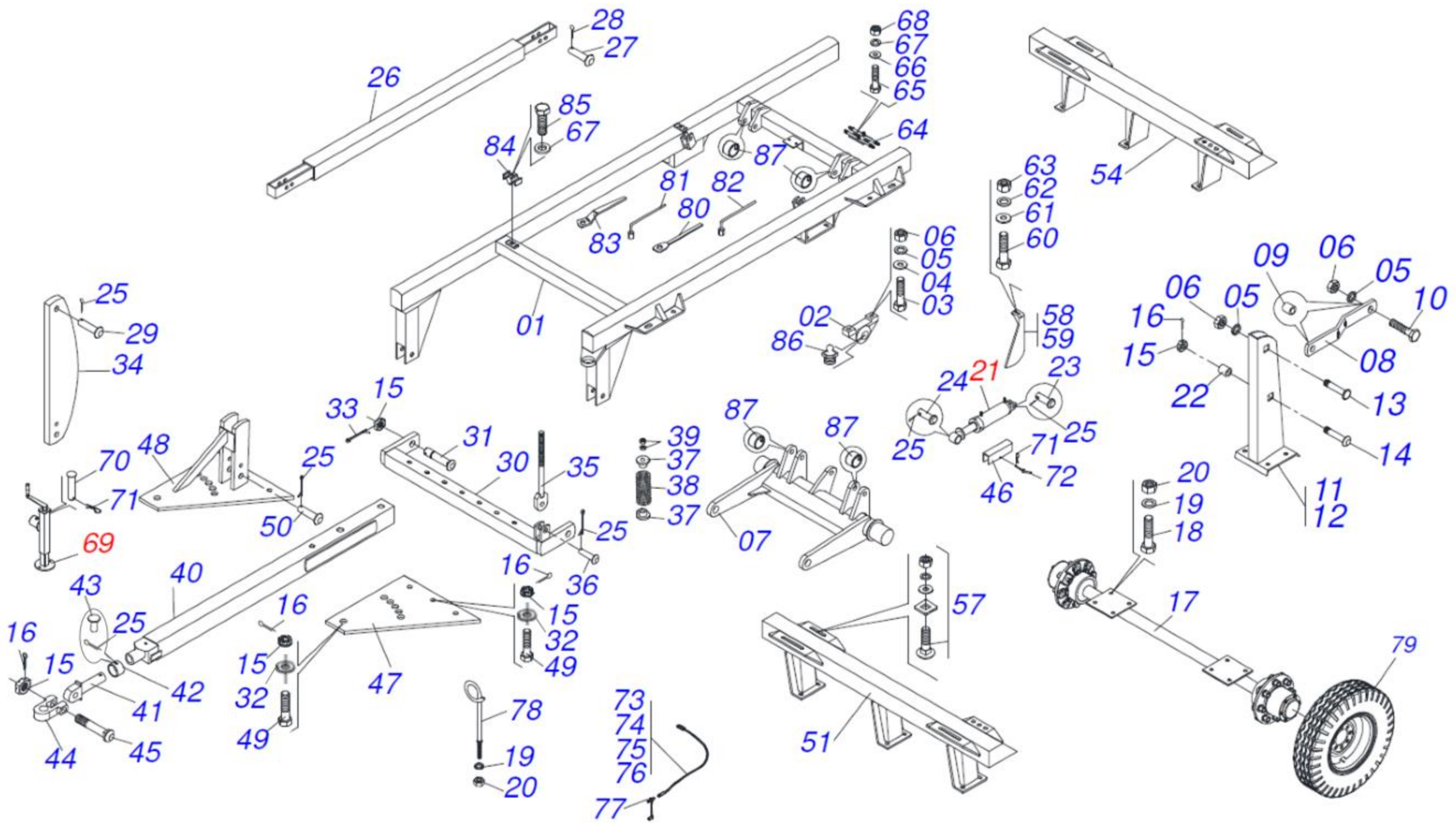
Parts must be ordered through your local authorized ASHLAND dealer. Be sure to state MODEL and SERIAL NUMBER of your machine. Ashland Industries Weldable replacement parts are also available to rebuild, modify, or update your machine to current factory specifications.

Disc Harrow Specifications



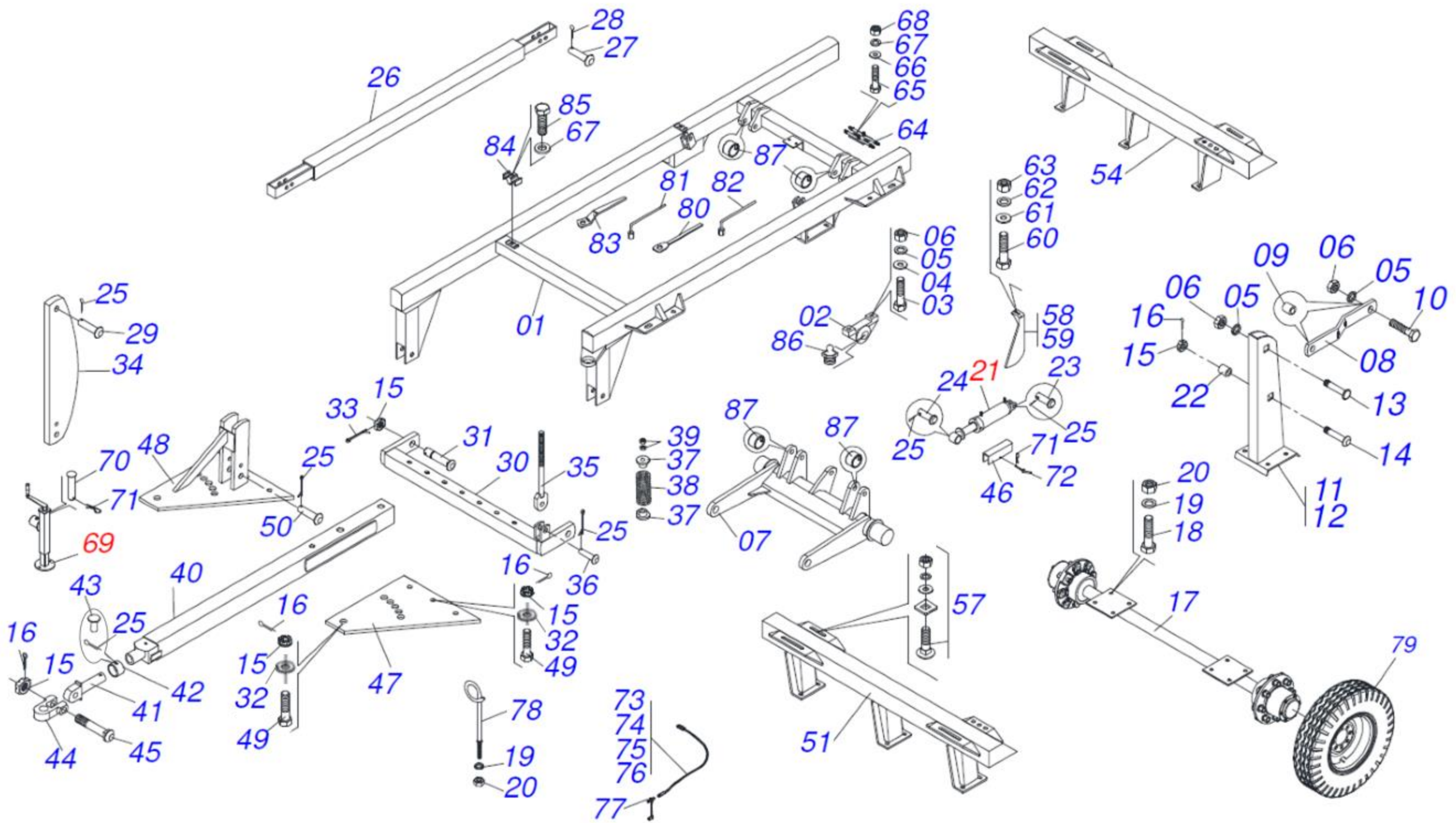
Disc Diameter	32 Inches - Notched
Disc Spacing	17 Inches
Number of Discs	9 Front, 9 Rear
Overall Dimensions: Length (Frame) Width	218 Inches 148 Inches
Gang Diameter	2-1/2 Inches
Weight	12,547 Pounds
Width of Cut	139 Inches
Depth of Cut	10-5/8 Inches
Gang Angle (Adjustable): Front Rear	19°, 21°, 24° 19°, 21°, 24°
Cylinders: Lift	Two (4 x 16 Inches)
Horsepower Requirements: Tractor (Single)	270 - 620

Frame

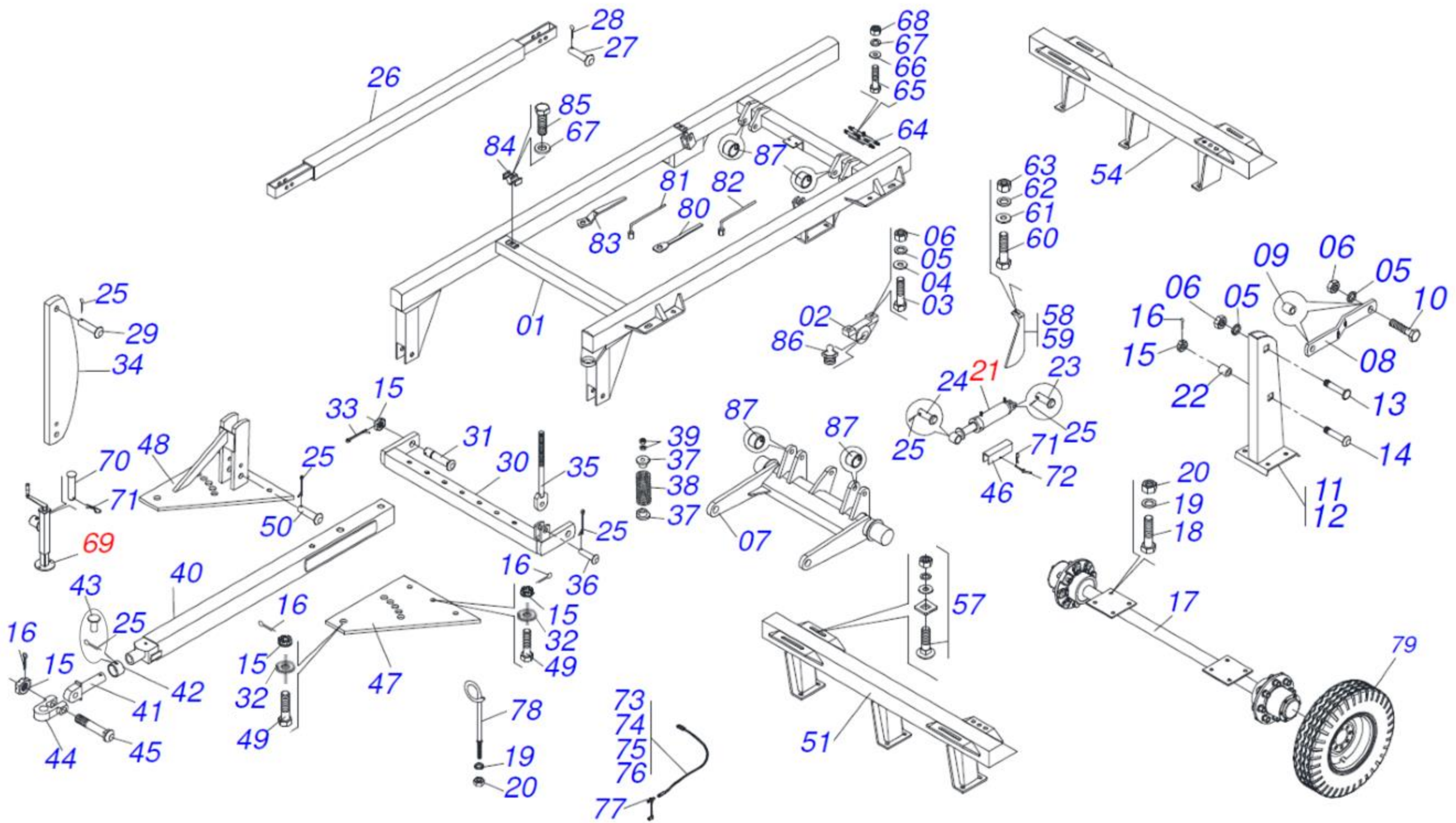


Item	Part Number	Description
01	400428	Frame: Main Center, HDW
02	400429	Bearing: Articulation
03	AFB-00187	HHCS: 1"-8 x 4"
04	AFW-00001	Washer: 1" Flat
05	AFW-00006	Washer: 1" Split Lock
06	AFN-00012	Nut: 1"-8 Hex
07	400430	Frame: Wheel Carriage, HDW
08	400431	Support: Link Bar
09	400432	Bushing: 1-1/4" x 1" x 1"
10	AFB-00187	HHCS: 1"-8 x 4"
11	400433	Suspension: Right Tower
12	400434	Suspension: Left Tower
13	400435	Pin: 1" x 4-3/8", Suspension Tower
14	400436	Pin: 1-1/2" x 4-1/8", Suspension Tower
15	400437	Flange Nut: 1-1/2"-6 Slotted Jam HT
16	AFP-00015	Pin: 1/4" x 2-1/2" Cotter
17	400438	Hub-Shaft Ass'y.: 3-1/2" x 84" Stub Shaft w/ Hub
18	AFB-00005	HHCS: 3/4"-10 x 2-1/2"
19	AFW-00002	Washer: 3/4" Split Lock
20	AFN-00006	Nut: 3/4"-10
21	400421	Cylinder: 4" x 20-5/16"
22	400439	Bushing: 2" x 1-1/2" x 1-3/8"
23	400440	Pin: 1-3/16" x 5-7/8"
24	400441	Pin: 1-3/16" x 6-1/2"
25	AFP-00009	Pin: 1/4" x 1-1/2" Cotter
26	400442	Stabilizer: Connection Bar
27	400444	Pin: 1-3/16" x 3-1/2"
28	AFP-00010	Pin: 1/4" x 2" Cotter

Frame

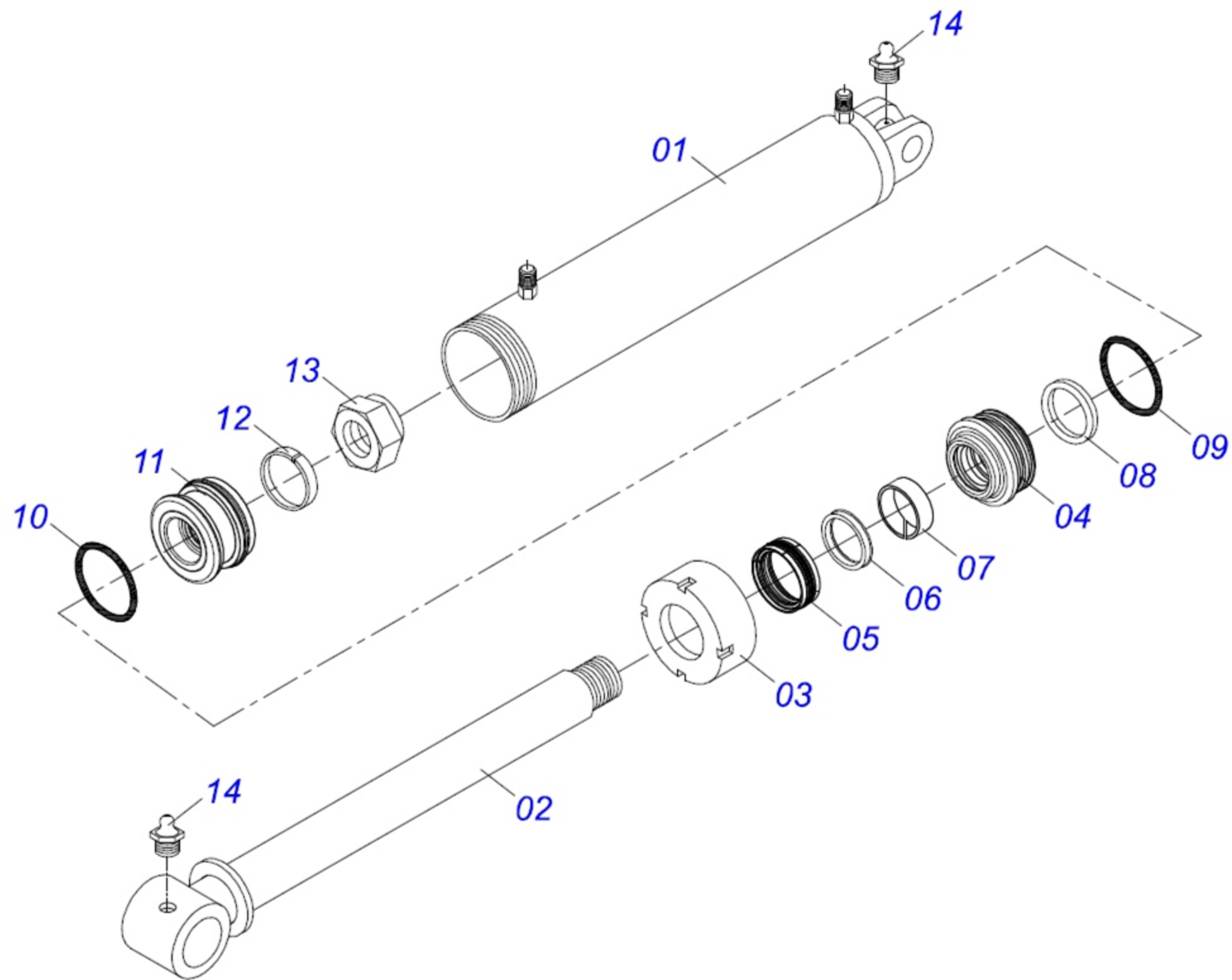


Item	Part Number	Description
29	400443	Pin: 7/8" x 3-1/4"
30	400445	Pivot: Offset Pole Bar
31	400446	Pin: 1-1/2" x 6-3/4" Main Pole Pivot
32	400447	Washer: 1-1/2" HT
33	AFP-00015	Pin: 1/4" x 2-1/2" Cotter
34	400448	Stabilizer: Front Tower Bar
35	400449	Rod: Spring Control
36	400450	Pin: 1-1/16" x 3-1/16"
37	400451	Collar: Spring Support
38	400452	Spring: 8" Compression
39	AFN-00079	Nut: 1-1/4"-7 Hex
40	400453	Pole: Main Drawbar, HDW
41	400454	Yoke: Swivel Shaft
42	400455	Collar: 2-1/2" Coupling Lock Ring
43	400456	Pin: 1" x 4"
44	400457	Yoke: Clevis Pivot
45	400458	Pin: 1-1/2" x 7"
46	400459	Lock: 9-1/2" Transport
47	400460	Plate: Adjustable Lower Support
48	400461	Plate: Adjustable Upper Support, Bracket
49	400462	Pin: 1-1/2" x 7-1/2" w/ Hex Head
50	400463	Pin: 1-1/4" x 3-3/4"
51	400464	Frame: Front Gang
54	400465	Frame: Rear Gang
57	400466	Bolt Ass'y.: 1-1/4"-7 x 3-3/4", w/ Spacer, Washers, Nut
58	400399	Scraper: Front Blade, HDW
59	400410	Scraper: Rear Blade, HDW
60	AFB-00063	HHCS: 5/8"-11 x 2-1/2"



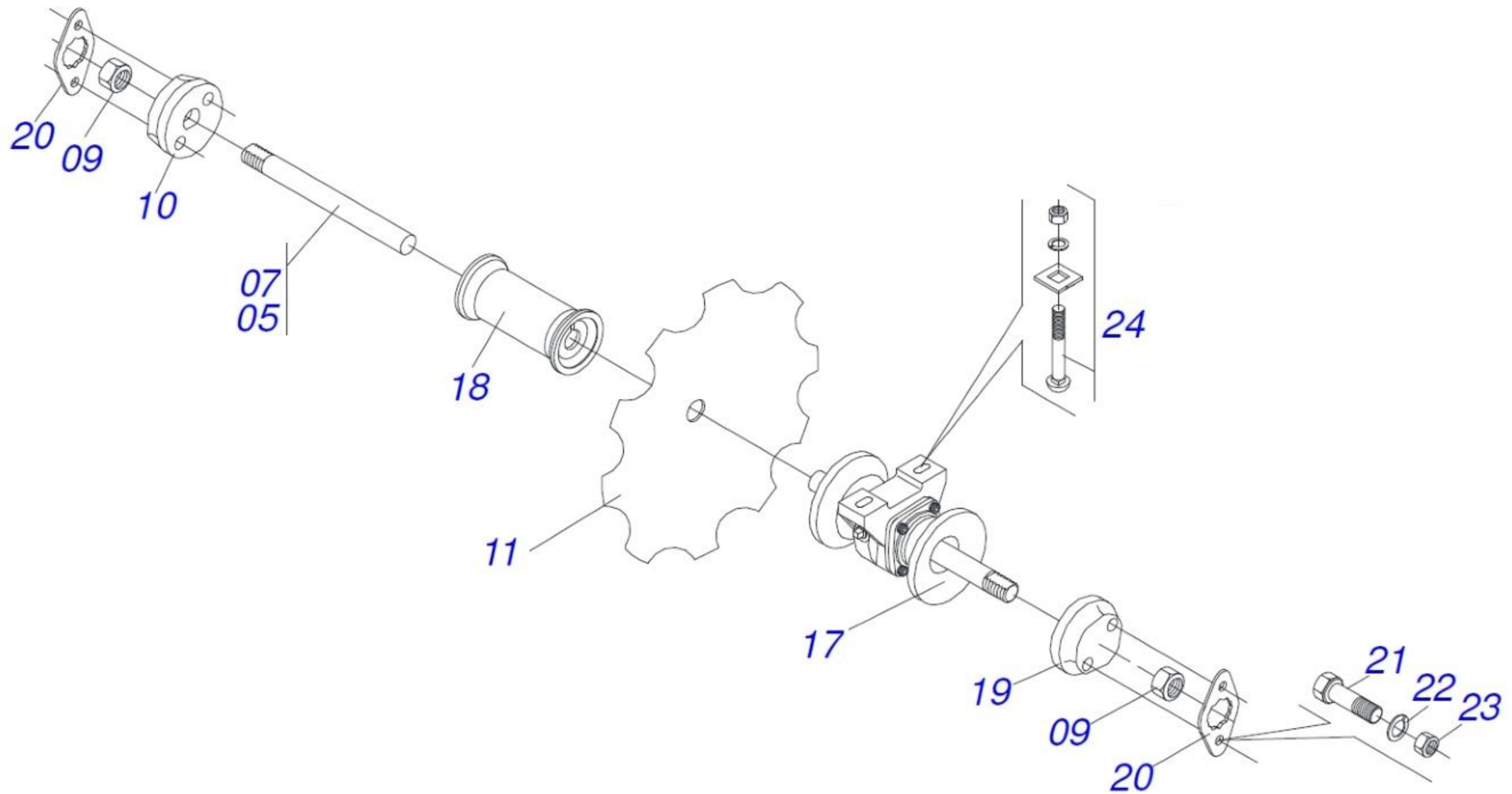
Item	Part Number	Description
61	AFW-00040	Washer: 5/8"
62	AFW-00031	Washer: 5/8" Split Lock
63	AFN-00003	Nut: 5/8"-11
64	400469	Adapter: Hydraulic, Double Connection
65	AFB-00094	HHCS: 3/8"-16 x 1"
66	AFW-00010	Washer: 3/8"
67	AFW-00028	Washer: 3/8" Split Lock
68	AFN-00048	Nut: 3/8"-16
69	400470	Jack: Top Wind
70	400471	Pin: 3/4" x 4"
71	AFP-00017	Pin: 1/8" x 2-1/2" Hairpin
72	400472	Pin: 1/4" x 3" Transport Lock
73	400473	Hose Ass'y.: 3/8" x 17"
74	400474	Hose Ass'y.: 3/8" x 27"
75	400475	Hose Ass'y.: 3/8" x 315"
76	400476	Hose Ass'y.: 3/8" x 322"
77	AHF-00020	Coupler: 1/2" Body Male Poppet
78	400477	Holder: Hose
79	400478	Tire/Wheel Ass'y.: 35.4 x 0.80-14L
80	400479	Wrench: 2-1/8" & 2-1/2" Flat Wrench
81	400480	Wrench: 1-1/4" Cylindrical Wrench
82	400484	Wrench: 1" Cylindrical Wrench
83	400481	Wrench: 1-1/2" & 1-5/8" Gang Wrench
84	400482	Clamp: Hose Support, Double
85	AFB-00010	HHCS: 3/8"-16 x 1-1/4"
86	A125019	Fitting: 1/4"-28 Straight Grease
87	400483	Bushing: 1-1/2" x 1-1/4" x 1"

Lift Cylinder - 400421

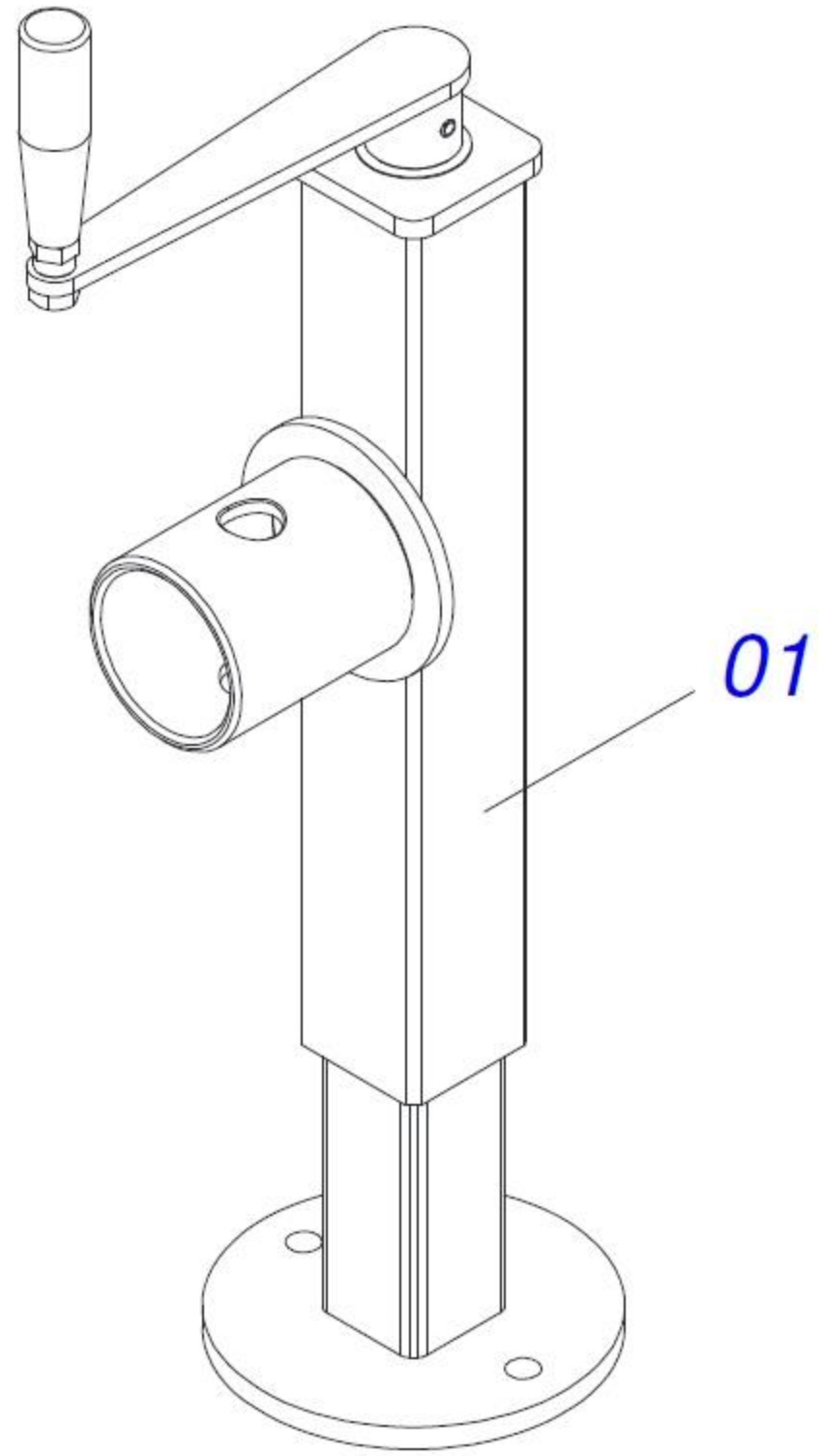


Item	Part Number	Description
01	400485	Barrel: 4" x 16"
02	400486	Rod: 2"
03	400487	Cap: Gland End
04	400488	Support: 2" x 4" Ring
05	400489	Seal: Piston Back-up Guide Ring
06	400490	Seal: 2" Rod Gasket
07	400491	Ring: 2" Wear Band
08	400492	Ring: 2" Back-up
09	400493	O-Ring: Ring Support
10	400494	O-Ring: Piston
11	400495	Piston: 2" x 4"
12	400496	Wiper: Piston Guide
13	400497	Nut: 1-1/4" Rod End
14	A125019	Fitting: 1/4"-28 Straight Grease

Disc Gang

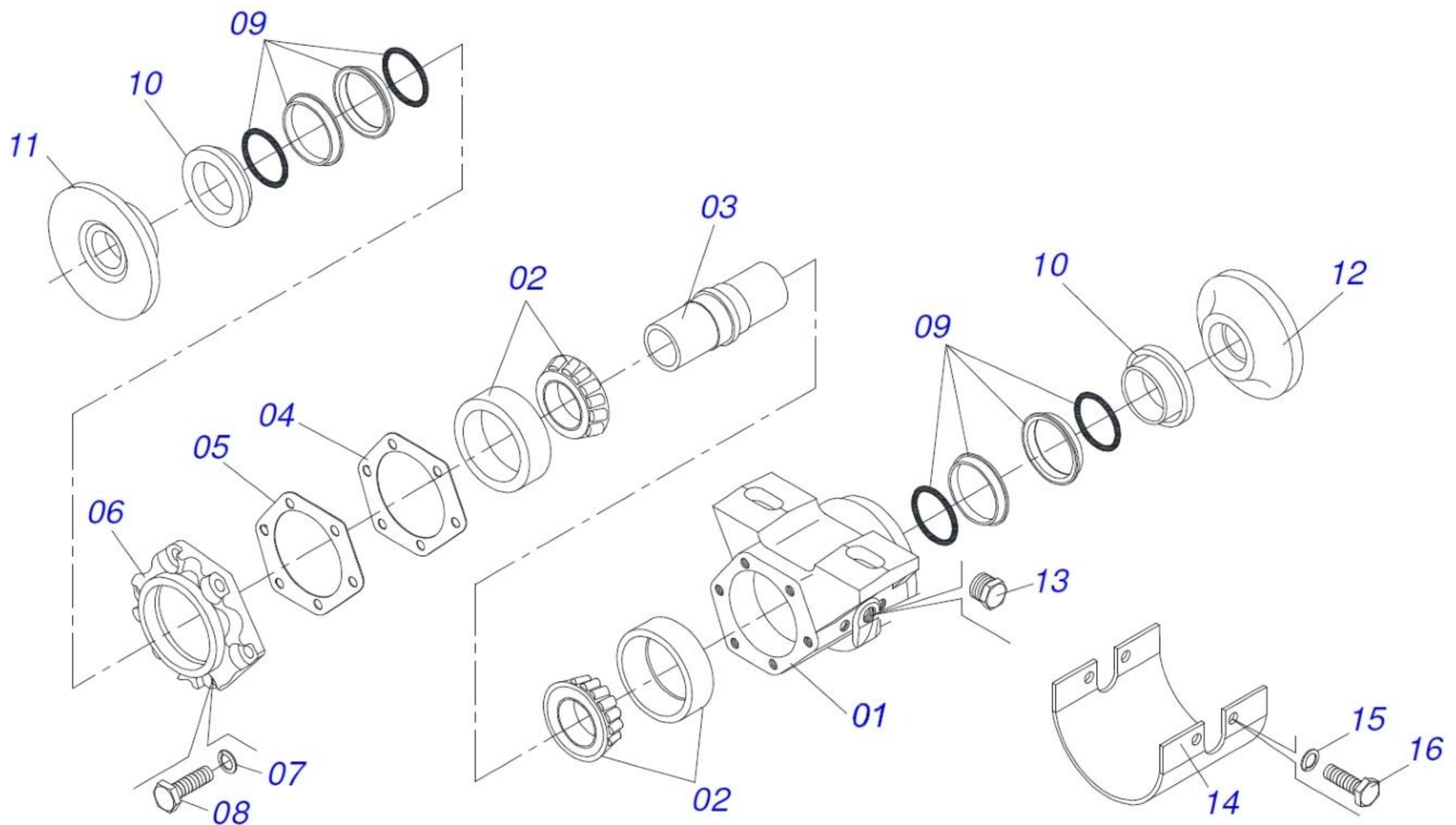


Item	Part Number	Description
05	400400	Shaft: 2-1/2" x 63-3/8"L, w/o Nut
07	400420	Shaft: 2-1/2" x 81-1/8"L, w/o Nut
09	400413	Nut: 2-1/2" Hex HT
10	400412	Axle Washer: External, 2-1/2"
11	400426	Disc: 2-1/2" ID x 32" OD, 10-Notch, Cutting Blade
17	400418	Bearing: 2-1/2"ID x 17"L Oil Bath w/ Wear Plate
18	400398	Spacer: 2-1/2" ID x 17"L Cast Gang
19	400411	Axle Washer: Internal, 2-1/2"
20	400498	Lock: Nut Keeper
21	AFB-00063	HHCS: 5/8"-11 x 2-1/2"
22	AFW-00031	Washer: 5/8" Split Lock
23	AFN-00003	Nut: 5/8"-11
24	400401	Bolt Ass'y.: 1-1/4"-7 x 5-3/4", w/ Spacer, Washer, Nuts



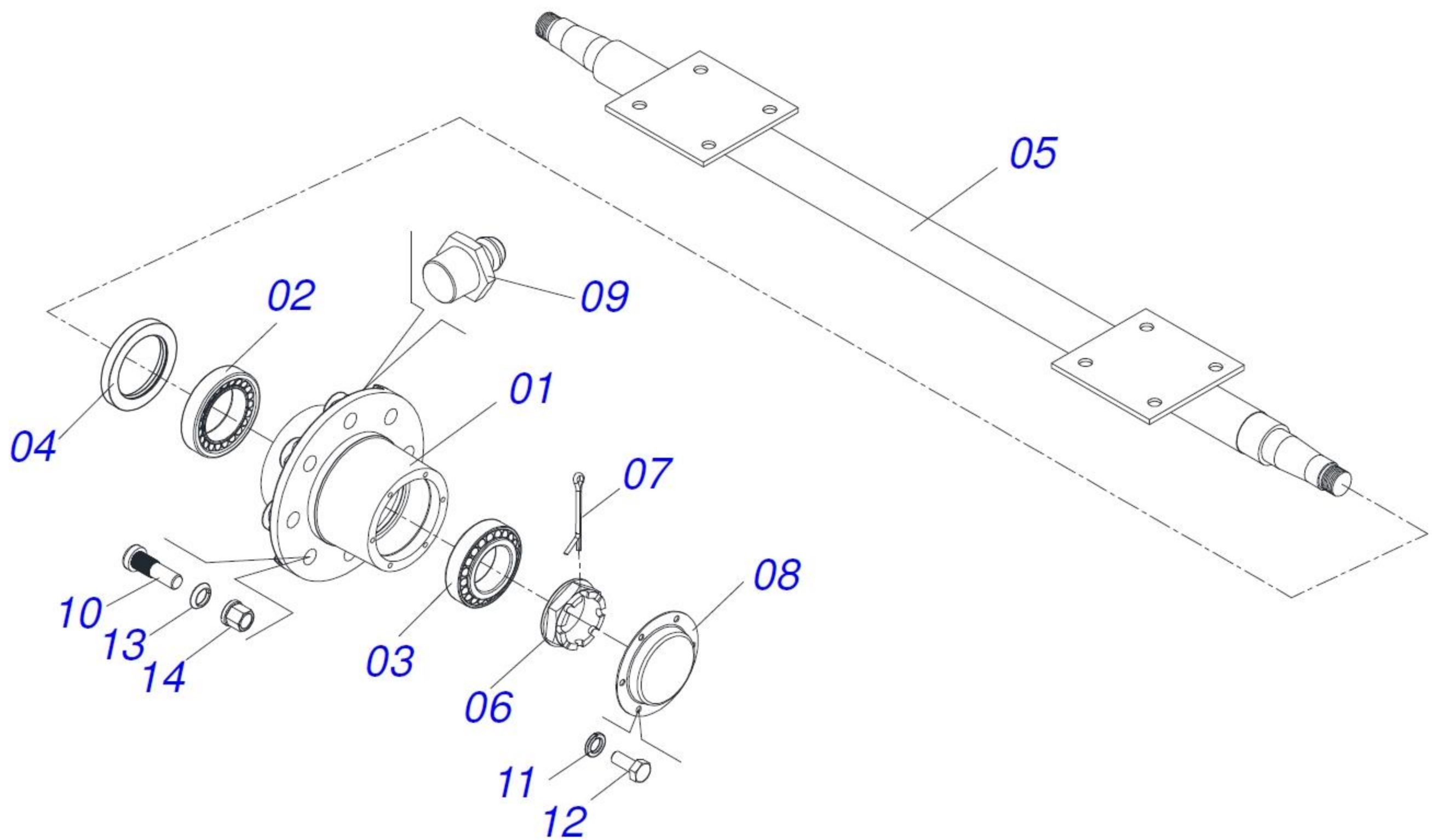
Item	Part Number	Description
01	400470	Jack: Top Wind

Oil Bath Bearing - 400418



Item	Part Number	Description
01	400499	Housing: Oil Bath Bearing
02	400500	Bearing Ass'y.: Tapered Roller Cup/Cone
03	400501	Axle: Oil Bath Bearing
04	400502	Gasket: 0.01", 6-hole
05	400503	Gasket: 0.004", 6-hole
06	400504	Cap: Oil Bath Housing
07	AFW-00030	Washer: 1/2" Split Lock
08	AFB-00015	HHCS: 1/2"-13 x 1-1/2"
09	400505	Seal: Kit, Oil Bath Bearing
10	400506	Collar: Seal Retainer
11	400507	Flange: Outer
12	400508	Flange: Inner
13	400509	Plug: Oil Cap
14	400510	Guard: Wear Plate
15	AFW-00009	Washer: 1/2"
16	AFB-00143	HHCS: 1/2"-13 x 1"




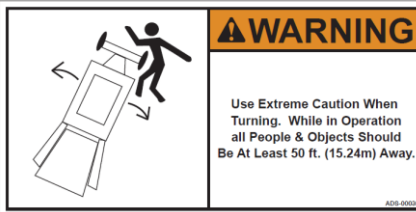


Hub & Axle








Item	Part Number	Description
01	400511	Hub: 8-Hole, HDW
02	400512	Bearing Ass'y.: Tapered Roller Cup/Cone, Inner
03	400513	Bearing Ass'y.: Tapered Roller Cup/Cone, Outer
04	400514	Seal: Grease
05	400515	Axle: 3-1/2" x 84"
06	400516	Flange Nut: 2-1/2" Slotted Spindle
07	AFP-00016	Pin: 1/4" x 3-1/2" Cotter
08	400517	Cap: Hub
09	A125019	Fitting: 1/4"-28 Straight Grease
10	400518	Stud: Wheel
11	AFW-00027	Washer: 5/16" Split Lock
12	AFB-00020	HHCS: 5/16"-18 x 3/4"
13	400519	Washer: Spherical Spring
14	400520	Nut: Wheel



Safety Decals

750464	Decal: High Pressure	
ADS-00011	Decal: Pinch Point	
ADS-00019	Decal: Grease Daily	
ADS-00030	Decal: Turning	
ADS-00046	Decal: Do Lifting	
ADS-00047	Decal: Tran. Lock	

Model Decals

ADS-00061	Decal: 25.75 x 5" 
ADS-00062	Decal: 36 x 7" 
ADS-00064	Decal: AI 5.5 x 3.5" 
ADS-00065	Decal: AI 11.5 x 7" 
ADS-00080	Decal: Badge 



Your Ashland disc harrow is a durable piece of equipment and with proper care will yield many years of trouble-free operation. However, the life of your machine can be severely shortened by poor maintenance. You must follow consistent maintenance practices and use superior quality grease and hydraulic oil (compatible with the power unit's hydraulic system) to insure the longest, most productive use from your disc harrow.

Your disc harrow should be greased at all points where grease fittings are provided. REMOVE TRANSPORT LOCKS prior to operation. Next, extend and retract all cylinders several times to force out any air from the hydraulic cylinders and lines. Check the oil levels in the tractor hydraulic system and add to maintain the proper level. Care should be used when adding oil or when disconnecting any oil line to keep all dirt out of the oil as dirt is a major factor in the failure of hydraulic components.

When your disc harrow is placed into operation, the operator will have to “feel out” the amount of depth of cut to obtain maximum cutting efficiency. This is usually accomplished by taking a lesser and more uniform cut; however, some soil conditions such as loose sand may require a “pumping action” obtained by taking successive deep cuts and lifting out of cut as the tractor begins to lose power or traction.

After 8 hours of operation, all bolts should be checked and tightened if necessary and all grease fittings lubricated. Check tire pressures daily. Also, check pins and cutting edges for signs of wear.

After 50 hours work, all bolts should be rechecked and tightened if necessary. Check wheel bearings and adjust if necessary.

Check wheel lug nut torque.

- After first 2 hours of operation.
- Recheck daily for the next 2 weeks.
- Tighten wheel lug nuts in a star pattern.
- Torque wheel lug nut (see Torque Specifications).

After 300 hours work, clean and repack wheel bearings and replace, if necessary, cutting edges, worn pins, etc.



Failure to replace worn cutting edges may result in unnecessary wear to the machines sides and floor.

Before starting a job, make sure Diggers Hot Line has been contacted and all underground utilities have been properly located (electric, phone, and pipelines). Have a clear understanding of all local, OSHA, and MSHA rules that apply to the job. Beware of your environment and keep others a safe distance from the machine while familiarizing yourself with the machine's controls. The machine requires a power source with TWO 4-way (double acting) hydraulic control valves.



Safety Signal Words:

Please note the use of signal words such as DANGER, WARNING, and CAUTION paired with the safety messages on your disc harrow. The appropriate signal word for each safety message has been selected using the following guidelines:

- **DANGER:** Indicates an imminently hazardous situation that, if not avoided, will result in death or significant injury. This signal word is limited to the most extreme situations – typically for machine components which, for functional purposes, cannot be guarded.
- **WARNING:** Indicates a potentially hazardous situation that, if not avoided, could result in death or significant injury. For example, hazards that are exposed when guards are removed. This signal word may also be used to alert against unsafe practices.
- **CAUTION:** Indicates a potentially hazardous situation that, if not avoided, may result in minor or moderate injury. This signal word may also be used to alert against unsafe practices.

Operator safety is a main concern in designing and developing equipment. Designers and manufacturers include as many safety features as possible. However, every year many accidents occur on job sites which could have been avoided by extra thought and a more careful approach to handling equipment. The operator can avoid many accidents by observing the precautions in this section. To avoid personal injury, study the following precautions and insist those working with, or for you, follow them.

Replace any CAUTION, WARNING, DANGER, or instruction safety decal that is not readable or missing.

Do not attempt to operate this equipment under the influence of drugs or alcohol.

Review the safety instructions in the operator's manual with all users annually.

Operators should be responsible adults who are familiar with machinery and trained in the equipment's operations. Do not allow persons to operate or assemble this unit until they have read this manual and the owner's manual and have developed a thorough understanding of the safety precautions and machine operation.

Tire Inflation & Torque Chart



On new machines, wheel nuts must be retorqued after the first 2 hours of operation.

Check tires daily to ensure correct inflation levels with an accurate gauge having 6.9 kPa [(0.07 bar) 1 PSI] gradations.

Also check for:

- Tire Damage
- Loose or missing wheel lugs, nuts, or caps
- Uneven wear
- Damaged Rims

Torque Ft-lbs	Bolt Diameter
12	1/4"
25	5/16"
45	3/8"
70	7/16"
110	1/2"
150	9/16"
220	5/8"
380	3/4"
600	7/8"
950	1"
1250	1-1/8"
1500	1-1/4"
2300	1-3/8"
2700	1-1/2"



The task of servicing tires and wheels can be extremely dangerous and should be performed by trained personnel only, using the correct tools and following best-practice. Do not attempt to mount, demount, or inflate a tire if you do not have the proper equipment and experience to perform the job. Call a qualified repair service to inspect the assembly and make necessary repairs. Failure to heed warnings could lead to serious injury or death.

Visually inspect tires and wheels daily. Carefully inspect any rim and tire assembly that has been run underinflated or flat before reinflating the tire to make sure there is no damage to either the rim or tire.

- ALWAYS wear personal protection equipment such as gloves, footwear, eye protection, hearing protection, and head gear when servicing tire and wheel components.
- DO NOT operate with damaged rims, tire cuts or bubbles, missing lug bolts, or nuts or damaged rims.
- ALWAYS maintain the correct tire pressure. NEVER exceed recommended tire inflation pressure.
- INSPECT any rim and tire assembly that has been run flat or severely underinflated before reinflating the tire. Damage to the rim and tire may have developed.
- NEVER reinflate a tire that has lost air pressure or has been run flat without determining and correcting the problem.
- NEVER try to repair wheel, rim, or tire components parts. Parts that are cracked, worn, pitted with corrosion, or damaged must be discarded and replaced with good parts.
- ALWAYS use approved tire and rim combinations for the model that you have and verify that part numbers of components are correctly matched for the assembly.
- ALWAYS exhaust all air from the tire prior to demounting.
- ALWAYS place wheel and tire assemblies in restraining devices (safety cage) when inflating tires. Use a clip-on chuck and long extension hose to allow you to stand to the side of the tire and not in front of it.
- NEVER weld or cut on an inflated tire assembly. Welding heat can cause increased pressure which could result in tire explosion.
- ALWAYS use proper lifting techniques and mechanized lifting aids to move heavy components and assemblies.
- NEVER leave a tire, wheel, or assembly unsecured in a vertical position.
- ALWAYS take care when moving tires and wheels, making sure that other people in the area are not endangered.



Maintenance Schedule

- Daily visual inspection
- Thorough inspection for leaks or damage every 300 hours of operation
- 5 pumps of grease every 300 hours of operation
- Thorough cleaning, inspection, and repacking every 1,500 hours of operation

The bearings within the hubs of the disc harrow are fully greased with a Mobilith SHC™ 460 grease at the factory. Ashland uses a special bearing grease packer to ensure the bearing is effectively and evenly lubricated. Generous amounts of additional grease are added on both sides of the bearing prior to install within the hub.

Mobilith SHC™ 460

Mobilith SHC™ Series high-performance, lithium complex synthetic greases are developed to protect equipment in severe applications operating at extreme temperatures. Their excellent adhesion, structural stability, and resistance to water conditions found in wet environments make them suitable for use in a wide variety of machinery and components. This grease exhibits excellent wear, rust, and corrosion protection, to help with mechanical efficiency, enhance bearing and equipment life, and extended grease life. Resulting in reduced maintenance costs, energy consumption, starting torque, and provided protection at high and low temperatures.

Reinstalling Hubs

Before installing or re-installing the hub, follow this procedure to ensure spindle machined surfaces are clean and undamaged.

- Remove old lubricant and thoroughly clean spindle.
- Inspect machined spindle seal surface for nicks, scratches, burrs or marks. If needed, use crocus cloth or emery cloth to repair damaged areas.
- Clean spindle threads thoroughly with a wire brush to avoid false bearing adjustments and to avoid introduction of contaminants into the hub.
- Thoroughly clean spindle machined surfaces of rust, dirt, grease, or other contaminants that could damage the hub seal and cause it to leak.

Caution

Too much grease volume (over-greasing) in a bearing cavity will cause the rotating bearing elements to begin churning the grease, pushing it out of the way, resulting an increase of bearing component temperatures. This leads to rapid oxidation (chemical degradation) of the grease as well as an accelerated rate of oil bleed, which is a separation of the oil from the thickener. The heat that has been generated over time along with the oil bleed eventually will cook the grease thickener into a hard, crusty build-up that can impair proper lubrication and even block new grease from reaching the core of the bearing. This can result in accelerated wear of the rolling elements and then component failure.

Warranty Statement



The Purpose of Warranty

Ashland Industries, Inc. warrants each new product to be free from defects in material and workmanship. This warranty is applicable only for the normal service life expectancy of the product or components, not to exceed one year from the date of delivery of the new Ashland Industries product to the original purchaser, or the date the product is first put into service via a rental agreement or other means, whichever occurs first.

Dealers Responsibilities

The following responsibilities are to be performed when the dealer delivers a product to the purchaser or otherwise places it into warranty service:

- Complete the Warranty Registration Form and forward it to Ashland Industries within 30 days of the sale, rental or other use of the product. Warranty reimbursement is contingent upon product registration.
- Review the warranty statement and operator's manual with purchaser to assure understanding of purchaser's responsibilities as related to warranty, service, and the proper and safe operation of the product. Purchasers/Renters should be advised to have failed parts repaired or replaced immediately upon failure, as continued use will result in additional damage, excessive wear, and may result in personal injury.
- Contact Ashland Industries prior to beginning repair or replacement of failed parts to make certain that the cost of repairs are consistent with the value of the product being sold.
- Warranty requests for units in dealer's inventory may be submitted to Ashland Industries when defects are noted in products prior to the retail sale or rental of that unit.
- Provide warranty and service repairs as directed by Ashland Industries' "Service Repairs Bulletins" or other instructions.
- All warranty work must be completed within 30 days of failure. Notify Ashland Industries' warranty department if repairs will require more than 30 days after failure for an extension. No claim will be accepted for warranties that exceed this 30 day period.
- No warranty will be allowed on units delivered to the retail customer prior to the full payment of that unit to the manufacturer by the dealer.
- If diagnostic time is required, contact Ashland Industries prior to beginning the warranty repair for approval. Ashland Industries must approve travel time reimbursement prior to beginning the warranty repair.

Ashland Industries Responsibilities

- Reimbursement for parts used in warranty repair will be credited only when the parts are purchased from Ashland Industries Inc. Parts will be credited at dealer's net cost. No warranty will be allowed on parts that are past due.
- Dealer should use parts from their parts inventory first. In the event that parts must be shipped from Ashland Industries Inc., freight will be paid by Ashland Industries and will be shipped by the most economical means to arrive in the shortest possible time. Air, Next Day Air, Priority and other special shipment methods requested by the dealer will be at the customer's expense.

Warranty Statement



Ashland Industries Responsibilities (Cont'd)

- Warranty Labor Reimbursement for labor expense to the dealer is made by payment of the established hourly shop rate.
- Repair times will be reviewed by Ashland Industries and may be adjusted to average repair time required by other dealers to make similar repairs. Labor is not paid on the warranty associated with repair parts purchased by the retail customer that are used on a product that is not currently in warranty time frame.
- Reimbursements for repairs made by an outside source (not dealer personnel) will be made for those services deemed necessary for the resolution of the warranty by Ashland Industries' warranty department. Outside repair invoices must have prior approval from Ashland Industries' service department and must be attached to the warranty claim after approval.

Other Warranty Provisions

The following guidelines are to be followed when performing warranty repairs:

- In all cases, the most economical repair should be performed unless otherwise directed. Credit will not be allowed for assemblies or groups if it is practical to make the repair with individual parts. In some cases, the assembly or group price may be less than the total of the parts and labor required to complete the repair. In those cases, an assembly or group may be used.
- Only those parts provided by Ashland Industries are covered under Warranty. The use of parts from other sources will not be eligible for warranty consideration.
- All parts removed during warranty repair should be held for a period of 90 days after the warranty claim has been submitted to Ashland Industries. These parts can be discarded if disposition or return request has not been made during this period. Parts that are requested must be returned within 30 days of claim disposition. These parts will be discarded after the 30 day period.
- Ashland Industries reserves the right to deny or reverse any and all warranty claims for parts, labor, or miscellaneous charges when errors are found, warranty provisions are abused, or fraudulent claims are submitted.

Warranty Reimbursement is Not Possible

- When failure falls under the "limitations" as identified in Ashland's Limited Warranty Statement.
- When Ashland Industries has requested the return of certain parts, assemblies, or information and has not received the material within 30 days of date posted on return request.
- On claims due to damage or shortage that are obviously the responsibility of dealer or the delivering carrier.
- On the entire claim when warranty policy and provisions are not followed.

All dealers will warranty their technician's work to the purchaser and will indemnify Ashland Industries, Inc. from such claims.

Warranty Statement



Service Bulletins

Service Bulletins will be issued when necessary to alert dealers of special repairs. Each bulletin will give detailed directions and procedures to complete the service.

Procedures For Completion Of Warranty Form

Complete the warranty form available at www.ashlandind.com or in your dealer's yellow Ashland Sales Book. Return this form to Ashland Industries within 30 days of failure.

Use of Photographs

Pictures of the failure are recommended but not required. Photos should be attached to dealer's claim when their inclusion will help identify the condition of the part being repaired or replaced, and thus assisting in approval of the claim. In many cases, the use of photos may eliminate the need to return parts for evaluation. Photos will not be returned unless specifically requested. Digital photos are preferred and can be email to warranty@ashlandind.com.

Delayed Warranty Repairs

Warranty repairs should be scheduled and performed as soon as possible after notifying your dealer and Ashland Industries. There may be circumstances that require the use of the product for a short period of time by the retail customer, or the availability of repair parts may require the work to extend past a 30 day period. In these cases, the dealer must notify Ashland Industries in writing of the extenuating circumstance and advise that the continued use of the product will not enlarge the warranty claim. These claims will then be processed as if the product is still within the warranty period.

Denied Claim

Dealers will be notified of a denied claim and notification will state the reason for denial. A dealer has the right to appeal this claim and must do so within 30 days of notification of denial. If there has been no appeal within the 30 day period, the claim will be considered closed.

Limited Warranty Statement

Ashland Industries, Inc. warrants each new product to be free from defects in material and workmanship. This warranty is applicable only for the normal service life expectancy of the product or components, not to exceed one year from the date of delivery of the new Ashland Industries, Inc. product to the original purchaser, or the date the product is first put into service via a rental agreement or other means, whichever occurs first.

The major components of swivel hitches used on machines are warranted for three consecutive months from the date of delivery of the new Ashland Industries, Inc. product to the purchaser, or the date the product is first put into service via a rental agreement or other means, whichever occurs first, except those components described below.

Genuine Ashland Industries, Inc. replacement parts and components will be warranted for 30 days from date of purchase, or the remainder of the original equipment warranty period, whichever is longer.

Under no circumstances will it cover any merchandise or components thereof, which in the opinion of the company, has been subjected to misuse, unauthorized modification, alterations, an accident, or if repairs have been made with parts other than those obtained through Ashland Industries, Inc.

Warranty Statement



Limited Warranty Statement (Cont'd)

Ashland Industries, Inc. in no way warrants tires since their respective manufacturer warrants these items separately. Please call Ashland Industries, Inc. to receive phone numbers of tire suppliers. Ashland Industries, Inc. in no way warrants wearable items such as cutting edges, front dolly wheel balls, sockets, rollers, bushings, yoke hitch pins, hitch bushings, etc.

Our obligation under this warranty shall be limited to repairing or replacing, free of charge to the original purchaser, any part that, in our judgement, shall show evidence of such defect, provided further that such part shall be returned within 30 days from the date of failure to Ashland Industries, Inc. routed through the dealer and distributor from whom the purchase was made, transportation charges prepaid. Upon warranty approval, proper credits will be reimbursed for transportation.

This warranty shall not be interpreted to render Ashland Industries, Inc. liable for injury or damages of any kind or nature to person or property. This warranty does not extend to the loss revenue, extra labor cost associated with downtime, substitute machinery, rental, or for any other reason.

Except as set forth above, Ashland Industries, Inc. shall have no obligation or liability of any kind on account of any of its equipment and shall not be liable for special or consequential damages. Ashland Industries, Inc. makes no other warranty, expressed or implied, and, specifically, Ashland Industries, Inc. disclaims any implied warrant or merchantability or fitness for a particular purpose. Some states or provinces do not permit limitations or exclusions of implied warranties or incidental or consequential damages, so the limitations or exclusion in this warranty may not apply.

This warranty is subject to any existing conditions of supply which may directly affect our ability to obtain materials or manufacture replacement parts.

Ashland Industries, Inc. reserves the right to make improvements in design or changes in specifications at any time, without incurring any obligation to owners of units previously sold. No one is authorized to alter, modify, or enlarge this warranty nor the exclusion, limitations, and reservations.

Owner Registration

Be sure to complete the Owner Registration form that you received with your machine and return it to Ashland Industries within 30 days of the sale, rental, or other use of your product. Warranty reimbursement is contingent upon product registration. If your product is not registered, it is NOT covered under warranty.