

# **ASHLAND INDUSTRIES**

## Parts Manual

# ***220TS4***

WG-220-001



***Ashland Industries***

*Crafting Quality since 1953!*



1115 Rail Drive  
P.O. Box 717  
Ashland, WI U.S.A.  
Toll Free: (877) 634-4622  
Business: (715) 682-4622  
Fax: (715) 682-9717

[www.ashlandind.com](http://www.ashlandind.com)  
[www.scraperdrawbar.com](http://www.scraperdrawbar.com)

# Table of Contents

## Alphabetized Listing

<b>A</b>	
Apron - 703006	9
Apron Cylinder (400047)	15
ASHLAND SCRAPERS	1-35
Assembly - Main - WG-220-001	6
Assembly - Wheel Rear (220)	14
<b>B</b>	
Bowl & Frame - 701006	10
<b>C</b>	
Contact Information	1
<b>F</b>	
Front Section - 704008	12
<b>G</b>	
Grease Locations	27
<b>H</b>	
Hub-Axle Assembly	28
Hub-Axle Disassembly	29
Hydraulic Accumulator	19
Hydraulic Manifold - A125174	20
Hydraulic Schematic	18
Hydraulic Valve Seals	22
<b>L</b>	
Lift Cylinder (400224)	16
<b>M</b>	
Maintenance Check List	31
<b>O</b>	
Operation and Maintenance	2
<b>P</b>	
Parts - Decals	24
Parts - Decals Illustration (220TS4)	23
Parts - Hydraulic Valve Ports	21
Push-Off - 702006	13
Push-off Cylinder (A125470)	17
<b>S</b>	
Safety Guidelines	5
Service: Axle Service Recommendations	25
Service: Tire Service	32
Swivel Hitch (#A125224)	8
<b>T</b>	
Tire Inflation	30
Tools Required	33
Transport Locks (TS)	7
Troubleshooting	34
<b>W</b>	
Warrantee Statement	35

## ASHLAND SCRAPERS

### Contact Information

Thank you for choosing an Ashland scraper for your earthmoving needs. Years of research, testing and successful application have been spent to ensure quality and maximum performance for our customers.

#### QUALITY POLICY

**It is our mission to exceed our customers' expectations in quality, delivery, and cost through continuous improvement and customer interaction.**

Please read and understand this manual before attempting to attach or operate this scraper. This manual should always remain with the machine. Be sure and fill out and send in the owners registration form at the beginning of this manual, or you may fill out the form on-line by going to [ashlandind.com](http://ashlandind.com) and click on "Register your Machine" at the bottom of the page. If you have questions, please feel free to call or email us. You can visit us on-line at [www.ashlandind.com](http://www.ashlandind.com).

Ashland Industries hours of operation are 8:00 a.m. to 5:00 p.m. CST. We can be reached toll free at: 877-634-4622.

#### SCRAPER ID NUMBER

The serial number plate for the scraper is located on the right rear area of the scraper. The letter and numbers stamped identify the serial number, model number and capacity of the scraper. Please record this serial number for use in ordering parts, warranty issues and to track your equipment if it is ever stolen.

References to serial number breaks on parts are located in the manual with a reference sequence of XXXXX-XXXXX. The beginning number records the serial number start of the use of that part. The ending number is the final serial number use of the part within this machine.



#### IMPORTANT

Parts must be ordered through your local authorized ASHLAND dealer. Be sure to state MODEL and SERIAL NUMBER of your machine. Ashland Industries weldable replacement parts are also available to rebuild, modify or update your scraper to current factory specifications.

**ASHLAND SCRAPERS****Operation and Maintenance**

Your Ashland scraper is a durable piece of equipment and with proper care will yield many years of trouble free operation. However, the life of your scraper can be severely shortened by poor maintenance. You must follow consistent maintenance practices and use good quality grease and hydraulic oil (compatible with the power unit's hydraulic system) to insure the longer, most productive use from your scraper.

Your scraper should be greased at all points where grease fittings are provided. **REMOVE TRANSPORT LOCKS** prior to operation. Next, extend and retract all cylinders several times to force out any air from the hydraulic cylinders and lines. Check the oil levels in the tractor hydraulic system and add to maintain the proper level. Care should be used when adding oil or when disconnecting any oil line to keep all dirt out of the oil as dirt is a major factor in the failure of hydraulic components.

When your scraper is placed into operation, the operator will have to "feel out" the amount of depth of cut to obtain maximum loading efficiency. This is usually accomplished by taking a lesser and more uniform cut; however, some soil conditions such as loose sand may require a "pumping action" obtained by taking successive deep cuts and lifting out of cut as the tractor begins to lose power or traction.

- After 8 hours of operation, all bolts should be checked and tightened if necessary and all grease fittings lubricated. Check tire pressures daily. Also, check pins and cutting edges for signs of wear.
- After 50 hours work, all bolts should be rechecked and tightened if necessary. Check wheel bearings and adjust if necessary.
- Check wheel lug nut torque.
  - After first 2 hours of operation.
  - Recheck daily for the next 2 weeks.
  - Tighten wheel lug nuts in a star pattern.
  - Torque wheel lug nut (see Torque Specifications).
- After 300 hours work, clean and repack wheel bearings and replace, if necessary, cutting edges, worn pins, etc.



**Failure to replace worn cutting edges may result in unnecessary wear to the earthmover sides and floor.**

**ASHLAND SCRAPERS****Operation and Maintenance**

Before starting a job, make sure Diggers Hot Line has been contacted and all underground utilities have been properly located (electric, phone and pipelines). Have a clear understanding of all local, OSHA and MSHA rules that apply to the job. Beware of your environment and keep others a safe distance from the machine while familiarizing yourself with the machine's controls. The scraper requires a power source with **TWO** 4-way (double acting) hydraulic control valves.

**Scraper damage can occur if:**

1. The scraper is running over the haul road with the bowl fully raised.
2. A power unit that is above the horsepower rating is pulling the scraper.
3. The scraper is being used to level haul roads with the apron closed.
4. The scraper is being top loaded with the bowl in a raised position.
5. The scraper is being used to load rock.

These types of damage are not covered by warranty. Warranty only covers defects in material or workmanship and not abuse because of improper use.

**Know the job:**

1. Know the weight of the material to be moved.
2. Lay the job out to take advantage of grades when loading, if possible.
3. Keep hauls as short as possible.
4. Keep haul roads smooth.
5. If more than one unit is on the job, make sure the haul roads are one way and that the operators understand the direction.
6. Brief the operators as to what the job consists of so there is not misunderstanding.
7. Know the moisture content in the material to be moved.
8. Will water be needed for proper compaction?
9. Will drainage be a problem?
10. How many units will be needed to efficiently complete the job?

**Transport the scraper safely:**

1. Always empty scraper.
2. Clean all material from exterior of scraper.
3. Make sure all road rules are followed.
4. Use proper lighting and flagging.
5. Lower scraper bowls to provide just enough clearance over obstacles.
6. Transport at a safe speed to avoid roll over.
7. Reduce speed on curves and when going downhill.

**ASHLAND SCRAPERS****Operation and Maintenance****Apron Opening Guidelines:**

You will need to determine the ideal opening for your soil condition. It is important to have the apron opened prior to loading. To receive the highest production possible, it is important to know the general characteristics of the material that you will be loading. In heavier soils like clay or gumbo, the soil will slab up and remain together after being cut by the blades. In lighter soils, like sand or dry loose top soil, the material will pile up or push after being cut by the blade. Use the suggestions listed below:

**Topsoil with heavy vegetation (12" to 24" opening):**

When cutting undisturbed soils, you will need to open the apron high enough to allow debris to easily enter the scraper bowl. If the apron is opened too high, the rolling up sod will fall out past the apron and hinder the incoming material. If the apron is not adjusted quick enough, the material will bunch or push ahead of the machine. If this happens, you should close the apron and pull out the cut quickly. If you wait too long, you may develop too large a pile to clear the scraper while rising out of the cut. This can cause the power unit to lose traction and possibly cause you to get stuck.

**Clay or loamy material: (6" to 12" opening):**

To cut clay or loam soils, lower the apron to approximately 6" to 12" between the blades and the bottom of the apron. When you first lower the bowl, you'll see the material being cut by the blades and entering the bowl. As you continue to move forward, small clumps will fall past the apron and develop a small pile ahead of the apron. By limiting this apron opening, the small pile will "blade off" any loose material ahead of the machine. Adjustments should be made if large objects such as rocks or deep gouges are within the cut.

**Sand or loose topsoil (15" to 30" topsoil):**

Loading sand or loose top soil is the most difficult type of soil to load. In combination with the larger apron opening, you'll want to operate at a faster ground speed. By traveling faster and lowering the blade deeper than normal, it forces the material into the scraper bowl.

We encourage you to experiment with different apron openings to determine the best condition for your jobsite.



The Apron is designed to capture material inside of the scraper bowl and should not be used as a large blade. Obstructions like large rocks or dense piles may cause the apron to bend inward after prolonged exposure to these conditions.

## Safety Guidelines



**Safety Signal Words:** Please note the use of signal words such as DANGER, WARNING, and CAUTION paired with the safety messages on your scraper. The appropriate signal word for each safety message has been selected using the following guidelines:

- **Danger:** Indicates an imminently hazardous situation that, if not avoided, will result in death or serious injury. This signal word is limited to the most extreme situations—typically for machine components which, for functional purposes, cannot be guarded.
- **Warning:** Indicates a potentially hazardous situation that, if not avoided, could result in death or serious injury. For example, hazards that are exposed when guards are removed. This signal word may also be used to alert against unsafe practices.
- **Caution:** Indicates a potentially hazardous situation that, if not avoided, may result in minor or moderate injury. This signal word may also be used to alert against unsafe practices.

Operator safety is a main concern in designing and developing equipment. Designers and manufacturers include as many safety features as possible. However, every year many accidents occur which could have been avoided by extra thought and a more careful approach to handling equipment. The operator can avoid many accidents by observing the precautions in this section. To avoid personal injury, study the following precautions and insist those working with, or for you, follow them.

Replace any CAUTION, WARNING, DANGER or instruction safety decal that is not readable or missing. Locations of decals are indicated in this booklet.

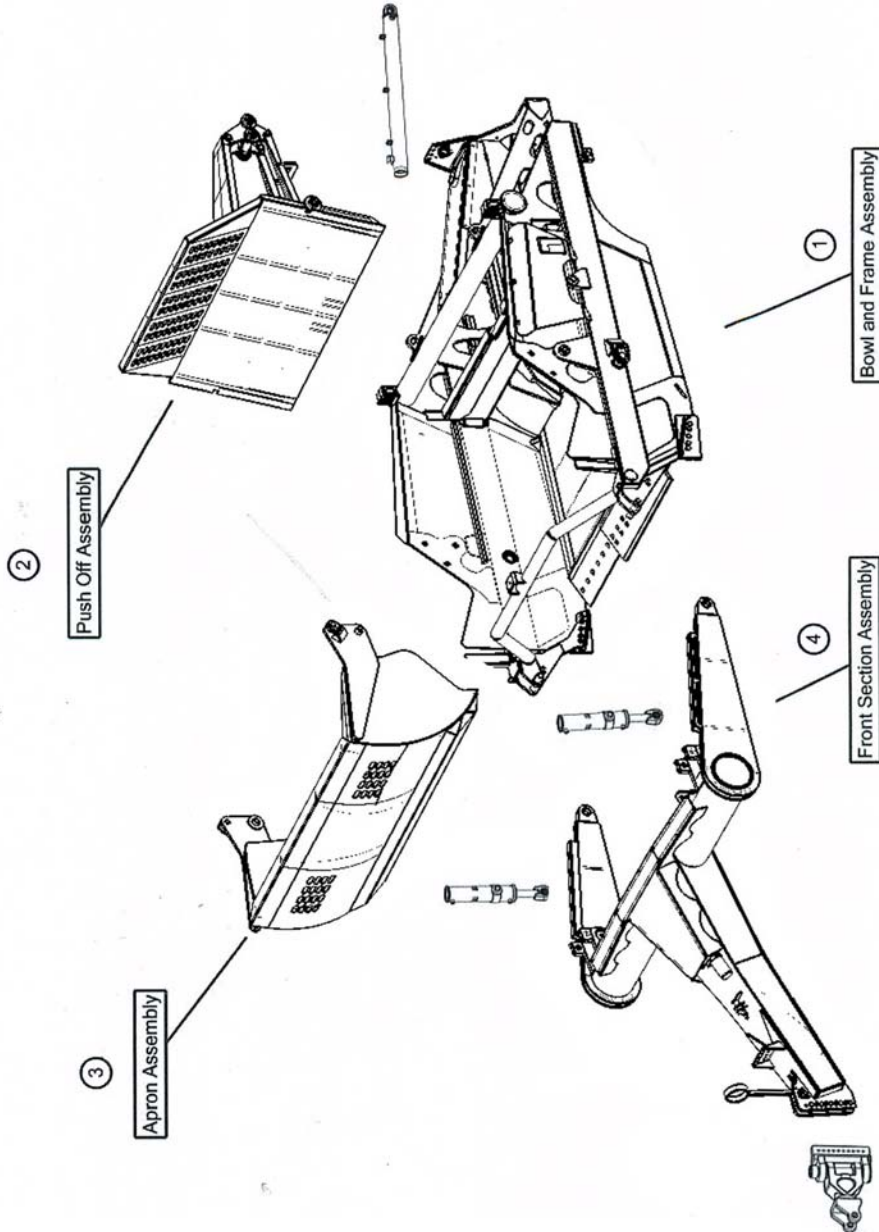
Do not attempt to operate this equipment under the influence of drugs or alcohol.

Review the safety instructions in the operator's manual with all users annually.

**Operators should be responsible adults who are familiar with machinery and trained in the equipment's operations. Do not allow persons to operate or assemble this unit until they have read this manual and the owner's manual and have developed a thorough understanding of the safety precautions and scraper operation.**

**ASHLAND SCRAPERS**

**Assembly - Main - WG-220-001**



ITEM	PART	DESCRIPTION
		220TS4 MAIN SCRAPER ASSEMBLY
1	701006	Bowl & Frame Assembly
2	702006	Push-Off Assembly
3	703006	Apron Assembly
4	704008	Front Section Assembly



## Transport Locks (TS)



**Transport position**

To use transport locks, retract lift cylinders and snap pins to keep transport locks in place.

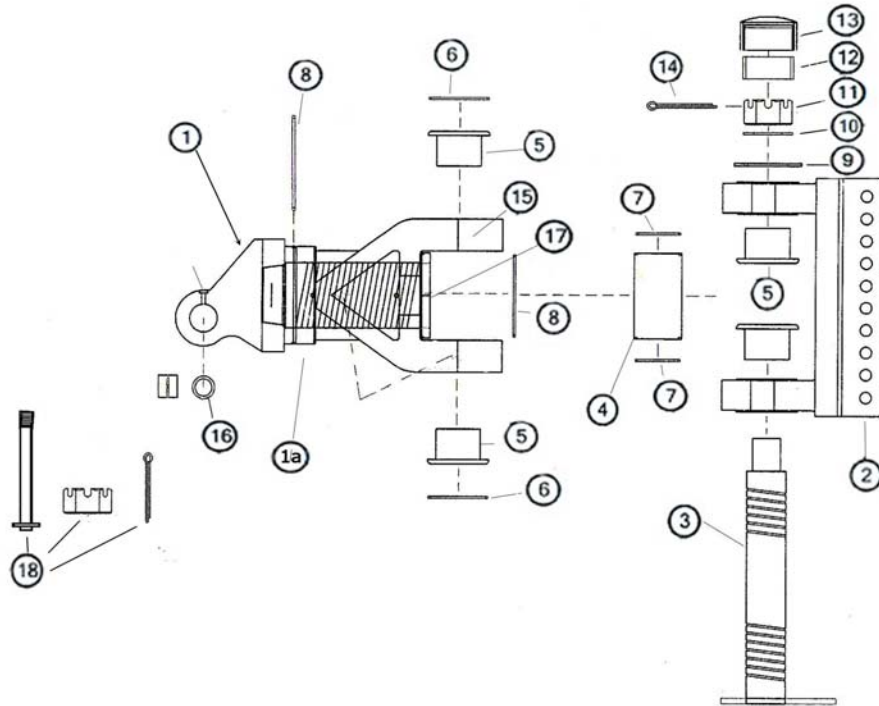


**Storage position**

PART	DESCRIPTION
A123320-20	Transport Lock

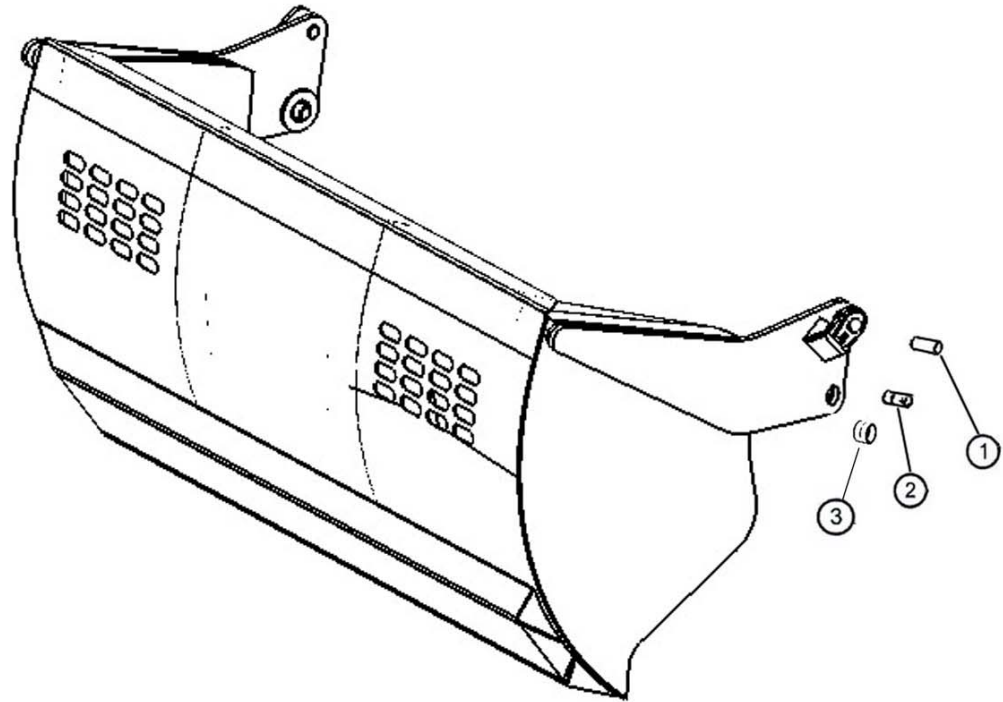
**ASHLAND SCRAPERS**

**Swivel Hitch (#A125224)**



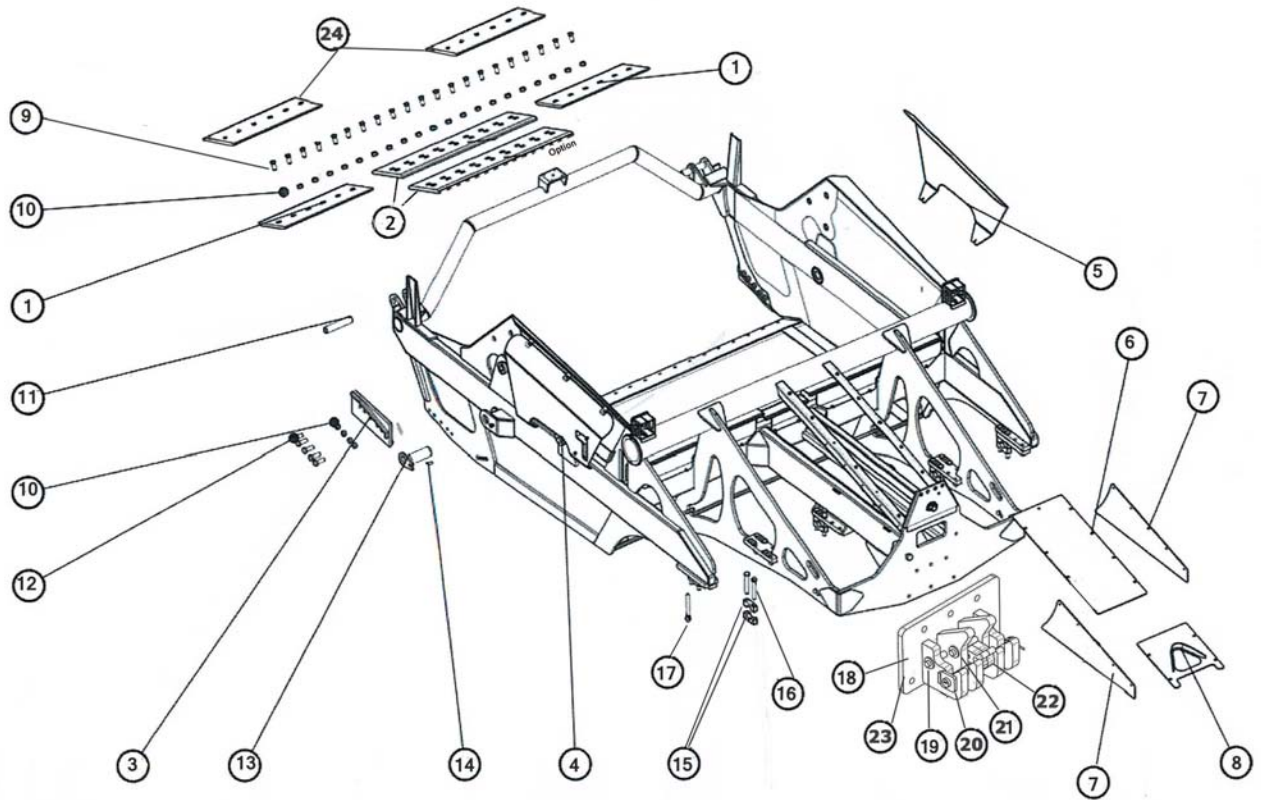
ITEM	PART	DESCRIPTION
1	A125224	Swivel Hitch: 360 deg. cast
1a	A125224-01	Yoke: A-Frame Swivel
2	A125224-03	Bracket: 10 Hole
3	A125224-04	Pin: Main Vertical
4	A125224-05	Spacer Tube
5	A125224-07	Bushing
6	A125224-08	Seal: O-ring
7	A125224-09	Seal: O-ring
8	A125224-10	O-ring
9	A125224-13	Spacer: 6"
10	A125224-14	Washer: 2 1/2"
11	A125224-15	Nut: Slotted 2 1/2" NC
12	A125224-16	Sleeve: 2" Rubber
13	A125224-17	Cap: For Vertical Pin
14	A125224-18	Pin: Cotter 3/8 X 5"
15	14505	Grease Fitting Straight
16	A125057-02A	Bushing
17	AHF-00027	Zerk 45 deg.
18	CNH84268964	Pin: Four Ear Drawbar to Hitch 1 1/2" x 15 5/8"L Nut: 1 1/2" Slotted 1/4" X 3" Cotter Pin

**Apron - 703006**



ITEM	PART	DESCRIPTION
1	A123322-14	Pin: Apron Cyld, Rod End
2	A123321-113	Pin: Apron Pivot
3	A125257-35	Bushing

## Bowl & Frame - 701006



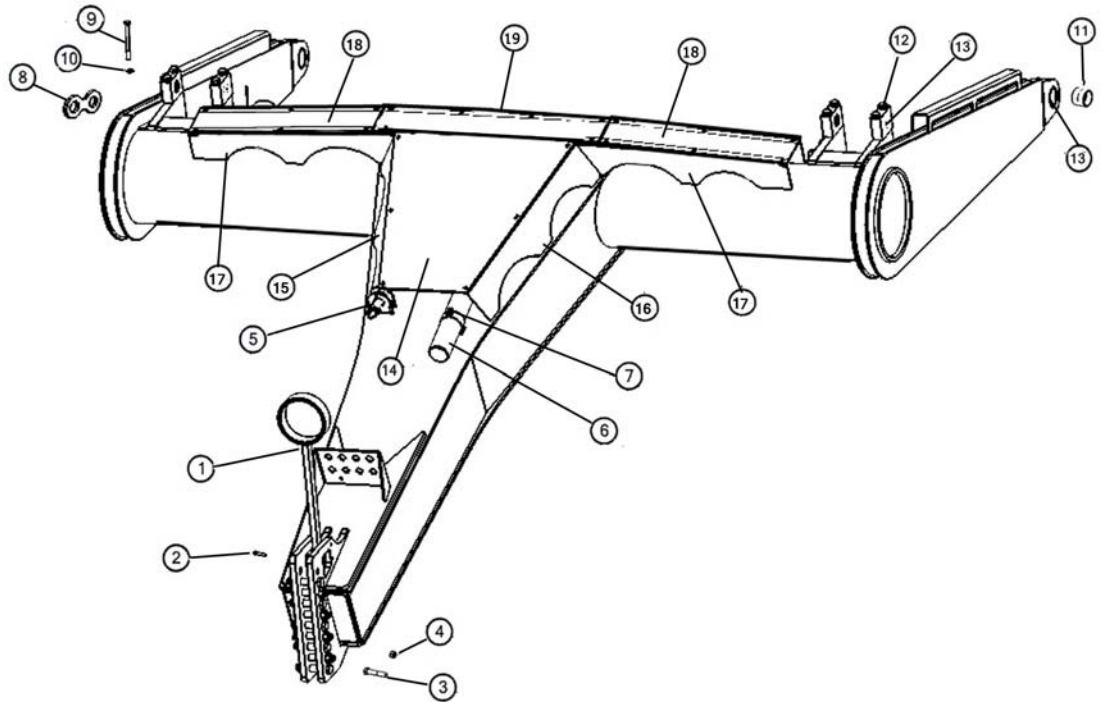
ITEM	PART	DESCRIPTION
1	A125103	Left & Right Straight Corner Blade
2	A125072	Center Blade
	A125072-SER	Center Blade (option)
3	A123357	Bank Shaver
4	501504	Apron Cylinder Guard Left
5	501513	Apron Cylinder Guard Right
6	501994	Spill Plate-Top
7	501650	Rear Section Side Dirt Shield
8	501577	Spill Plate-Bottom
9	PB1P-NC-100-0275	Plow Bolt: 1" Dia. X 2 3/4" L.
10	AFN-00012	1" NC Nut
11	500829	Pin: Lift Front Section
12	AFB-00018	Bolt: 1 NC X 1" Gr 8
13	123321-125	Locking Hitch Pin
14	AFB-00079	Bolt: 5/8 NC X 1 1/2" Gr 8
15	500205	Axle Clamp Block
16	AFB-00024	Bolt: 1" NF X 7" L. Gr 8
17	AFB-00135	Bolt: 1" NF X 9" L. Gr 8
18	600476	Weldment: Hitch 220
19	600452	Pin: Quick Hitch
20	CNH84268964	Pin Assembly, Quick Hitch

**ASHLAND SCRAPERS****Bowl & Frame - 701006**

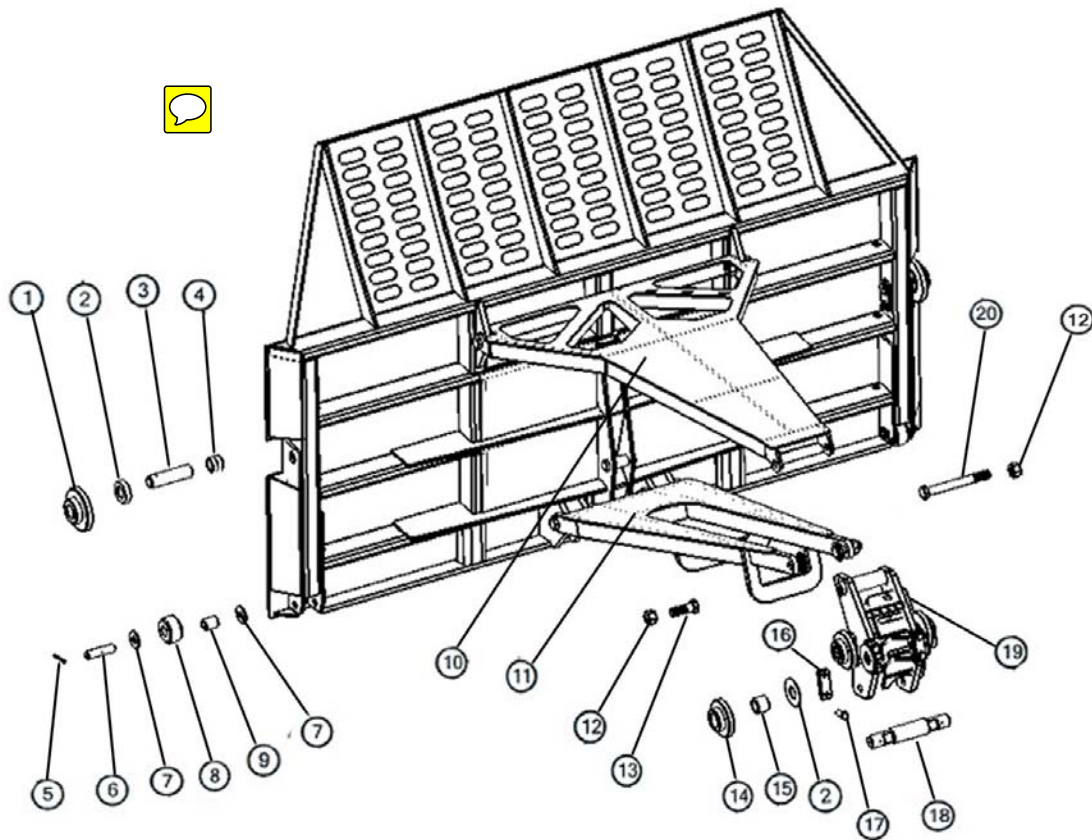
ITEM	PART	DESCRIPTION
21	600480	Pin: Short, Quick Hitch
22	600363	Center Lug, Quick Hitch
23	600479	Hitch Assembly 220
24	500788	Corner Leveling Blade (Option) 35 1/4" X 18"

**ASHLAND SCRAPERS**

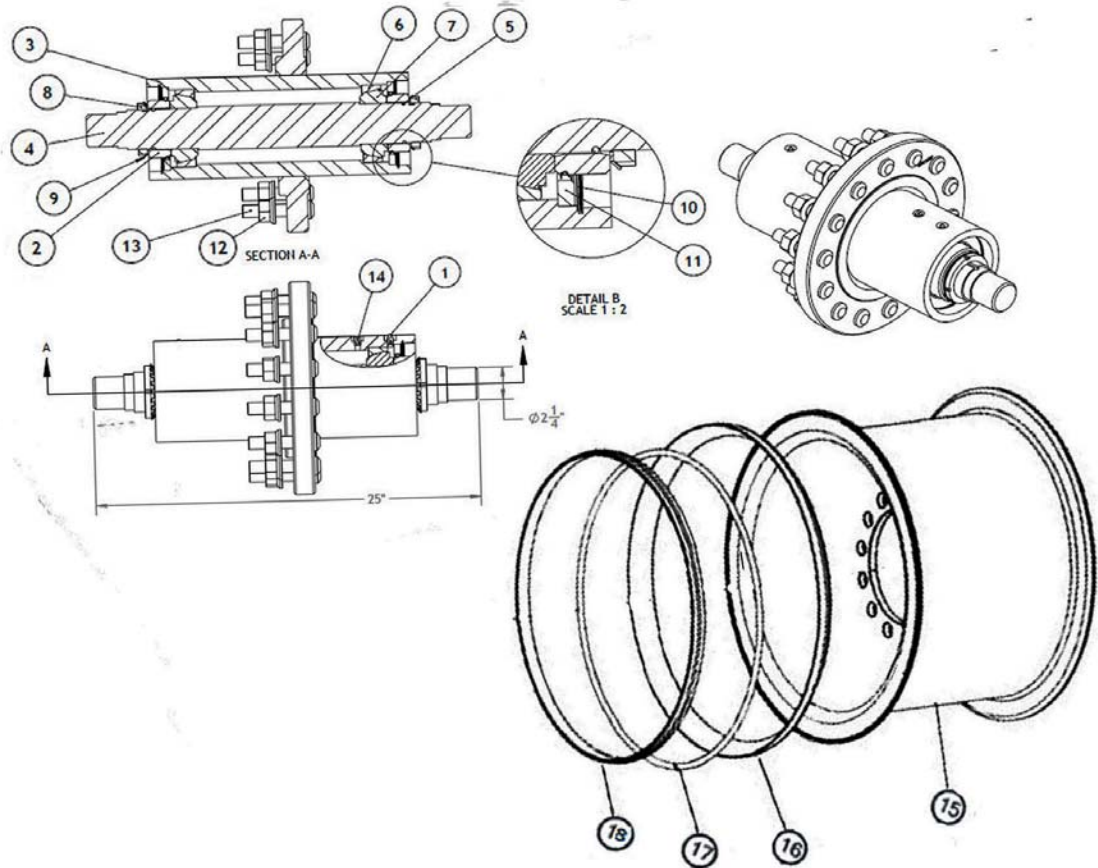
**Front Section - 704008**



ITEM	PART	DESCRIPTION
1	600119C	Hose Holder Assembly
2	AFB-00033	Bolt: 1/2 X 2 1/2" Gr 8
3	AFB-00021	Bolt: 1 X 5 1/2" Gr8
4	AFN-00037	Nut: Lock 1"
5	600121	Lock Pin: Apron
6	A125005	Accumulator
7	A125009	Accumulator Bracket
8	A123320-20	Transport Lock
9	AFB-00039	Bolt: 3/4 NC X 5 1/2" Gr 8
10	AFW-00024	Washer: 3/4"
11	A123320-08	Bushing: Bronze
12	502143	Trunion Mount Block
13	14505	Grease Fitting
14	502508	Guard: Front Section Cover
15	502516	Guard: Front Section Right
16	502514	Guard: Front Section Left
17	502507	Guard: Front Section Upright
18	502513	Guard: Front Section Side Cover
19	502512	Guard: Front Section Rear Upright

**ASHLAND SCRAPERS**
**Push-Off - 702006**


ITEM	PART	DESCRIPTION
1	502049	Roller: Pushoff Flanged
2	502054	Spacer: Hold Down Roller
3	A123323-23A	Pin: Upper Roller
4	A14039	Bushing
5	AFP-00001	Pin: Cotter
6	A123323-21A	Pin: Hold Down Roller
7	AFW-00015	Washer: 1 1/4"
8	A10164	Roller: Gate Front
9	A10163	Bushing: 1 1/4" ID X 1 3/4" OD
10	600462	Guide: Upper Pushoff
11	600459	Guide: Lower Pushoff
12	AFN-00032	Nut: 1 1/4"
13	AFB-00076	Bolt: HHCS: 1 1/4"-12 X 4" Gr8
14	501617	Roller: Pushoff Guide
15	501619	Bushing: 2" ID - 2.125 Lg
16	502054	Spacer: Truck Roller
17	AFB-00037	Bolt: 3/4" -10 x 2" Gr 8 Hex Cap
18	501615	Spindle: Push-off Truck
19	501550	Flat Clamp: Mount Block PO Trk
20	600468	Weldment: Push-off Truck
21	400144	Bolt: HHCS: 1 1/4" -12 X 13" Gr8

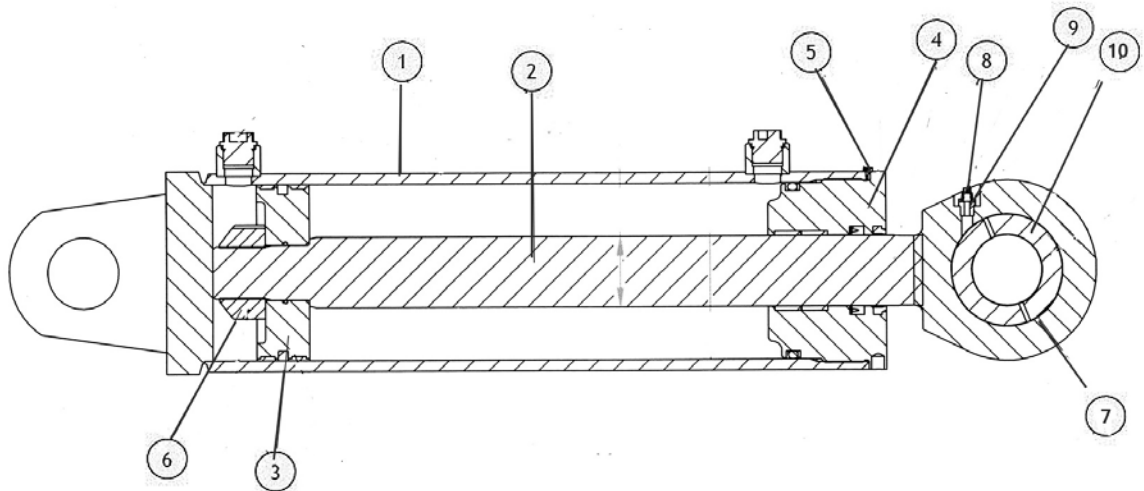
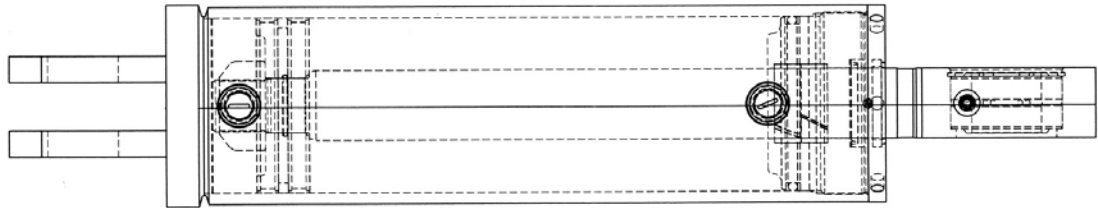
**ASHLAND SCRAPERS**
**Assembly - Wheel Rear (220)**


ITEM	PART	DESCRIPTION
1	14505	Fitting: 1-8"-27
2	500140	Spacer-Bearing
3	600705	Hub
4	502424	Axle
5	A130H13	O-Ring
6	A14014	Bearing Cup
7	A14015	Bearing Cone
8	A125202	Locknut
9	A125203	Lockwasher
10	A125204	Retaining Ring
11	A125214	Seal
12	A125229	Wheel Nut
13	A125236	Stud
14	A125466	Vent: Pressure Relief
15	501074	Wheel Rim
16	A125401	Side Ring
17	A14008	O-Ring
18	A14038	Lock Ring



**ASHLAND SCRAPERS**

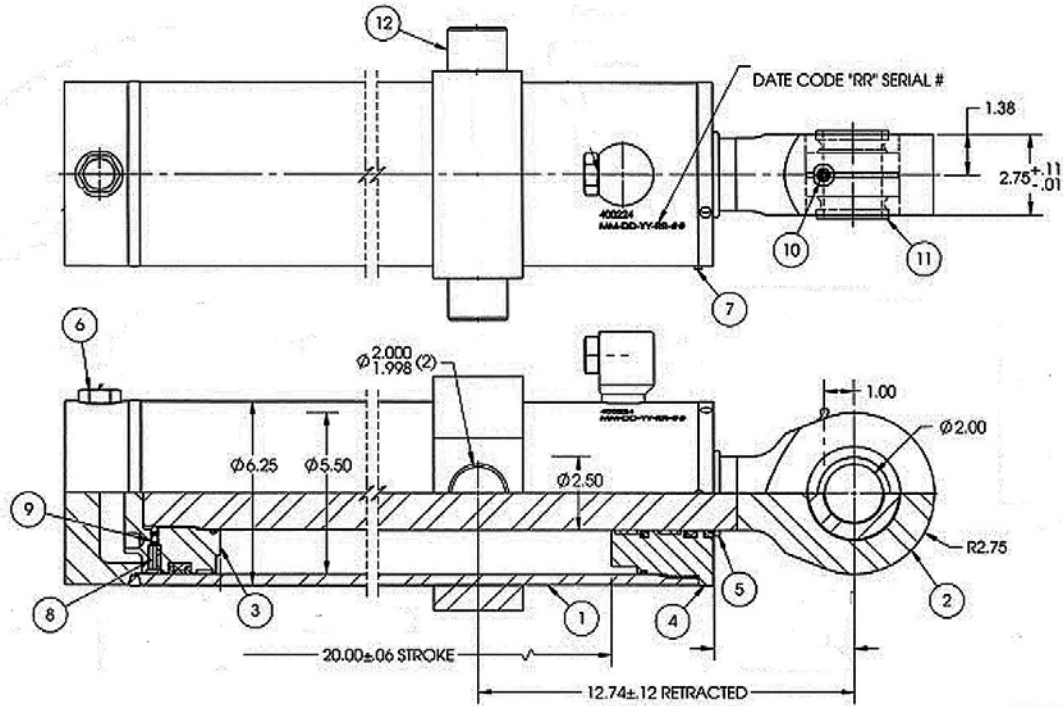
**Apron Cylinder (400047)**



ITEM	PART	DESCRIPTION	SN 220TS4
	400047	APRON LIFT CYLINDER	23793-XXXXX
1	J204146B	Barrel	
2	J302792B	Rod	
3	J401404A	Piston	
4	J501491B	Rod Bearing	
5	J712049A	Nut: Self-Locking 1.50-12UNF	
6	J711127A	Screw: Locking	
7	A125257-36	Snap Ring	
8	J717000A	Grease Fitting	
9	J714165A	Shipping Cap	
10	A125257-35	Bushing: 2" ID ball	
	J432572A	Seal kit	

**ASHLAND SCRAPERS**

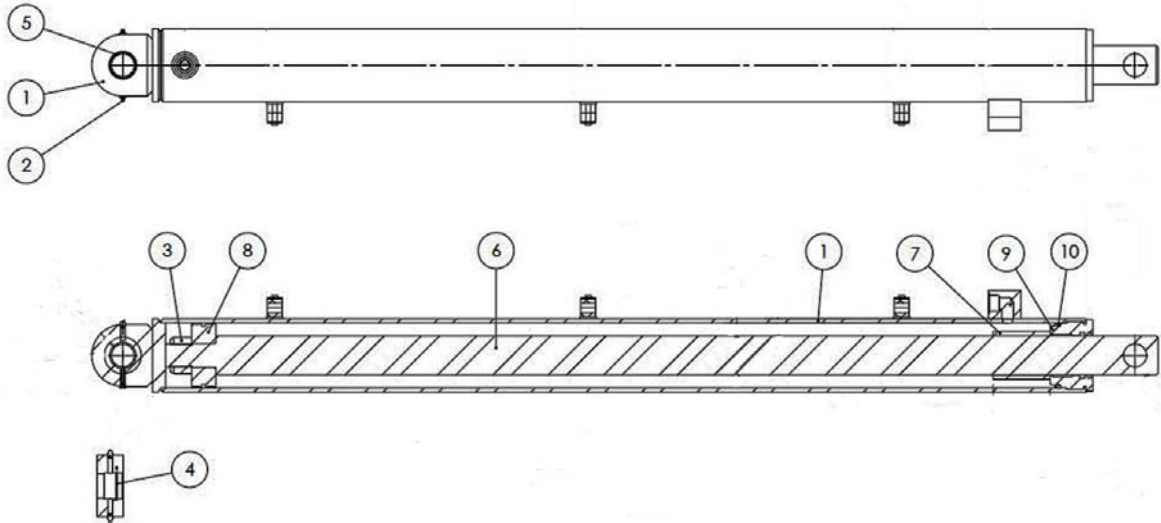
**Lift Cylinder (400224)**



ITEM	PART	DESCRIPTION	SN 220TS4
	400224	LIFT CYLINDER (5 1/2" x 20")	24005-XXXXX
1	201870	Barrel	
2	301537	Rod Assembly	
3	400692	Piston Assembly	
4	500847	Head	
5	703332	O-Ring	
6	710085	O-Ring Plug	
7	711004	Self-Tapping Screw	
8	713103	Dowel Pin	
9	715045	Cone	
10	717002	Grease Fitting	
11	720019	Bearing	
12	714149	Trunion Pin Cover	
	432006	Seal Kit	
	431902	Seal Kit	

**ASHLAND SCRAPERS**

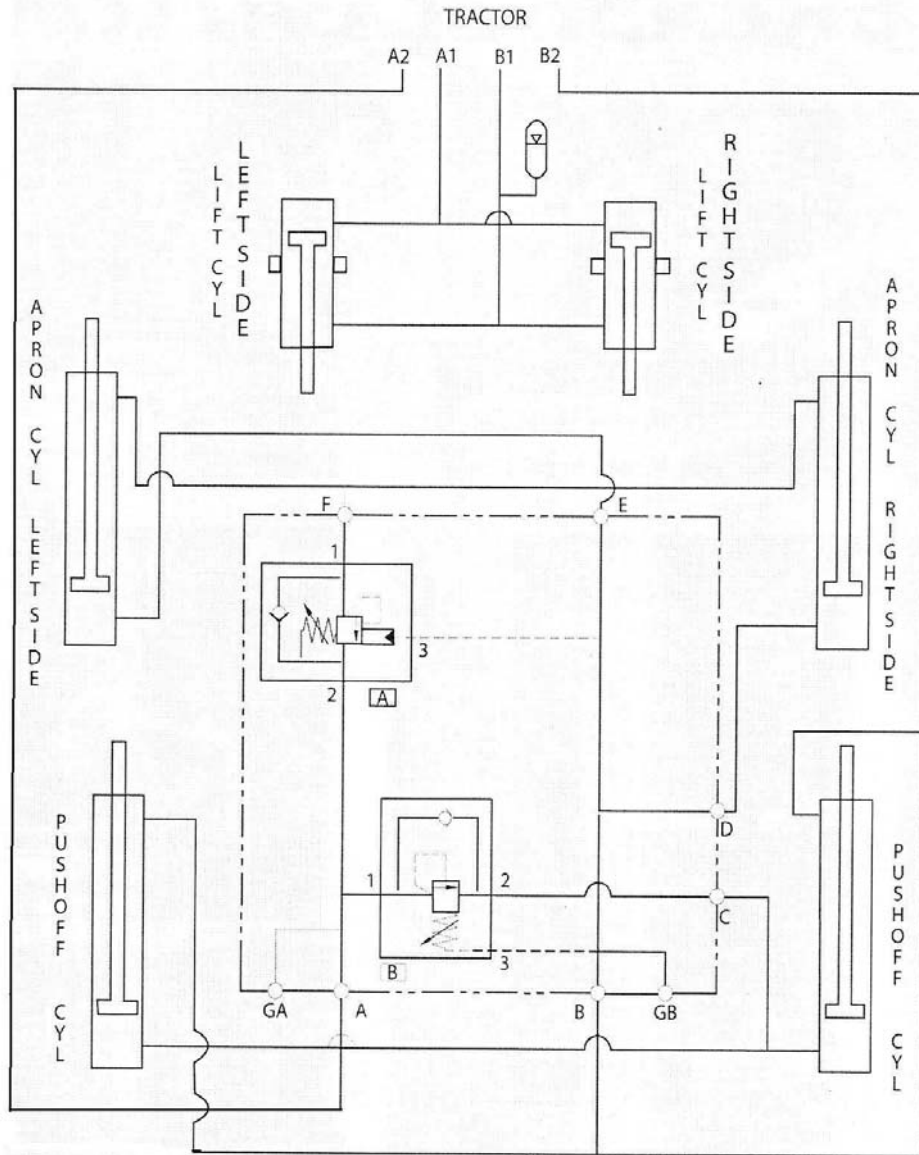
**Push-off Cylinder (A125470)**



ITEM	PART	DESCRIPTION
	A125470	PUSH-OFF CYLINDER (5 1/2 X 60")
1	A125470-10	Weldment: Cylinder Barrel
2	14505	Grease Zerk
3	A125159-34	Nut: 1 3/4-12 Toplock
4	A125160-36	Retaining Ring
5	A125160-50	Bushing
6	A125470-2	Cylinder Rod, 3" Dia. X 60" Stroke
7	A125470-29	Stop Tube
8	A125470-30	Piston, 5" Bore
9	A125470-31	Cylinder Head
10	A125470-40	Seal Kit, Push-off 220

**Hydraulic Schematic**

I-220TS4 Hydraulic Schematic

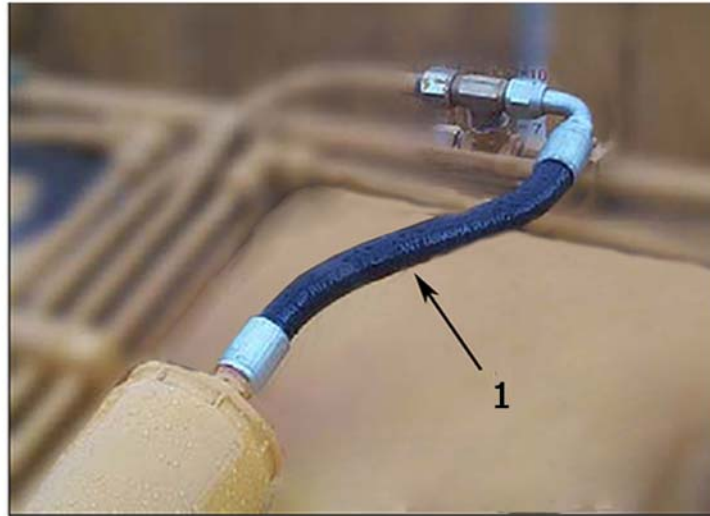


PORT GA AND GB are pressure test ports

**A** - Counter balance cartridge

**B** - Sequence cartridge

## Hydraulic Accumulator



ITEM	PART	DESCRIPTION
1	A155H67	Hose, 3/4" X 16" MORB with sweep
2	A125009	Bracket, Welded with bolts
3	A125005	Accumulator Cylinder

**ASHLAND SCRAPERS**
**Hydraulic Manifold - A125174**


ITEM	PART	DESCRIPTION
1	A125162-02	PUSHOFF SEQUENCE CARTRIDGE
2	A125162-01	COUNTER BALANCE CARTRIDGE

**SETTING THE APRON AND PUSHOFF VALVE**

The manifold block containing the pushoff sequence valve cartridge and apron sequence valve cartridge is used to control two hydraulic circuits with one hydraulic remote. When the tractor hydraulic remote is activated, oil flows first to the apron cylinders until they are fully extended. Once the cylinders are fully extended, the apron circuits' hydraulic pressure begins to increase. Once the pressure threshold is surpassed (which is adjustable. See adjustment section), the sequence valve diverts the oil flow to the pushoff's hydraulic circuit. Once the push off is completely extended the operator then reverses the tractors hydraulic remote. The counterbalance valve will hold the apron open until the push off is fully retracted. The Apron sequence valve then opens and allows the apron to close.

**Setting the valves:**
**STEP 1 PUSHOFF SEQUENCE VALVE**

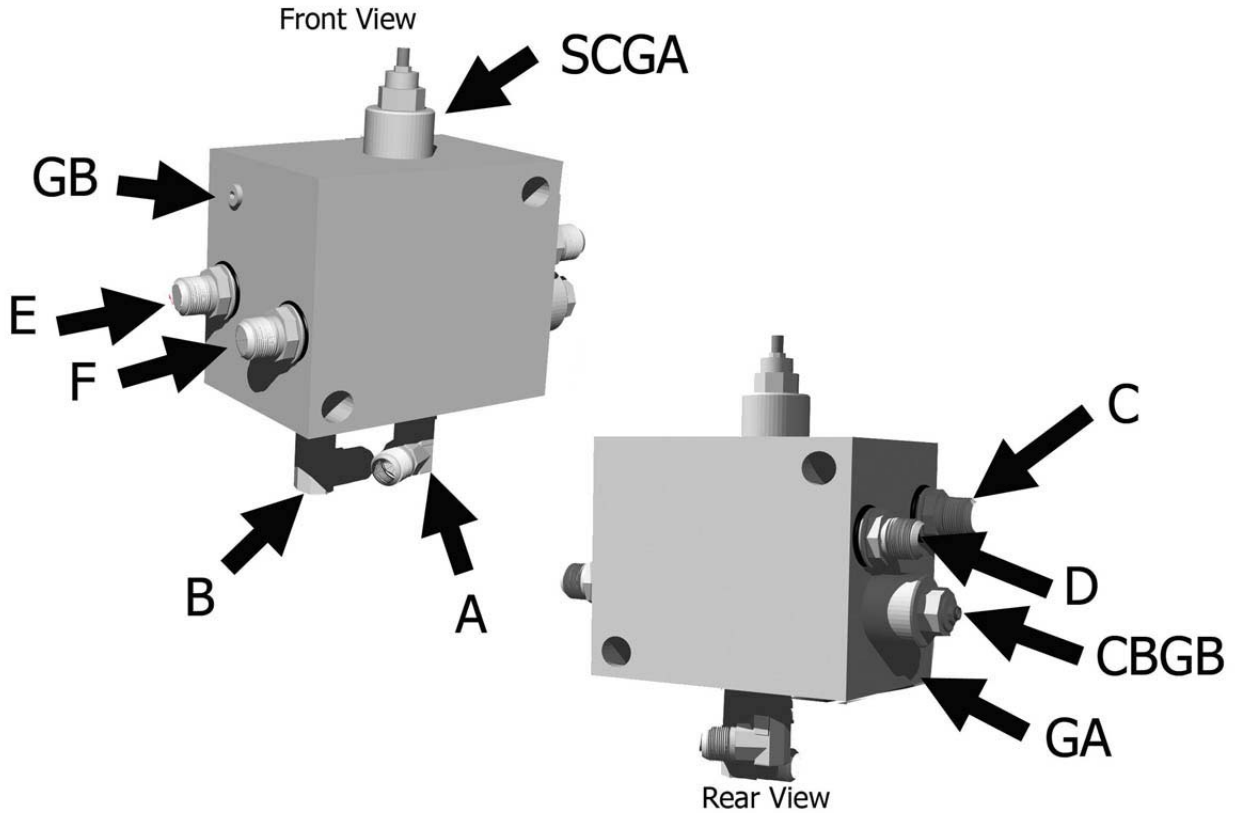
Loosen the lock nut (9/16") on the sequence valve cartridge. Turn the setscrew (4mm) clockwise until the front apron rises before the push-off begins to advance. (Earthmover should be empty) Turn the adjustment screw an additional 1/4 turn clockwise and tighten jam nut.

**STEP 2 COUNTER BALANCE VALVE**

Loosen the lock nut (9/16") on the counterbalance valve cartridge. Turn the setscrew (4mm) counter-clockwise until the apron holds in a raised position while rear gate is being retracted. Turn adjustment screw an additional 1/4 turn, tighten jam nut. DO NOT tighten adjusting screw more than necessary.

**ASHLAND SCRAPERS**

**Parts - Hydraulic Valve Ports**

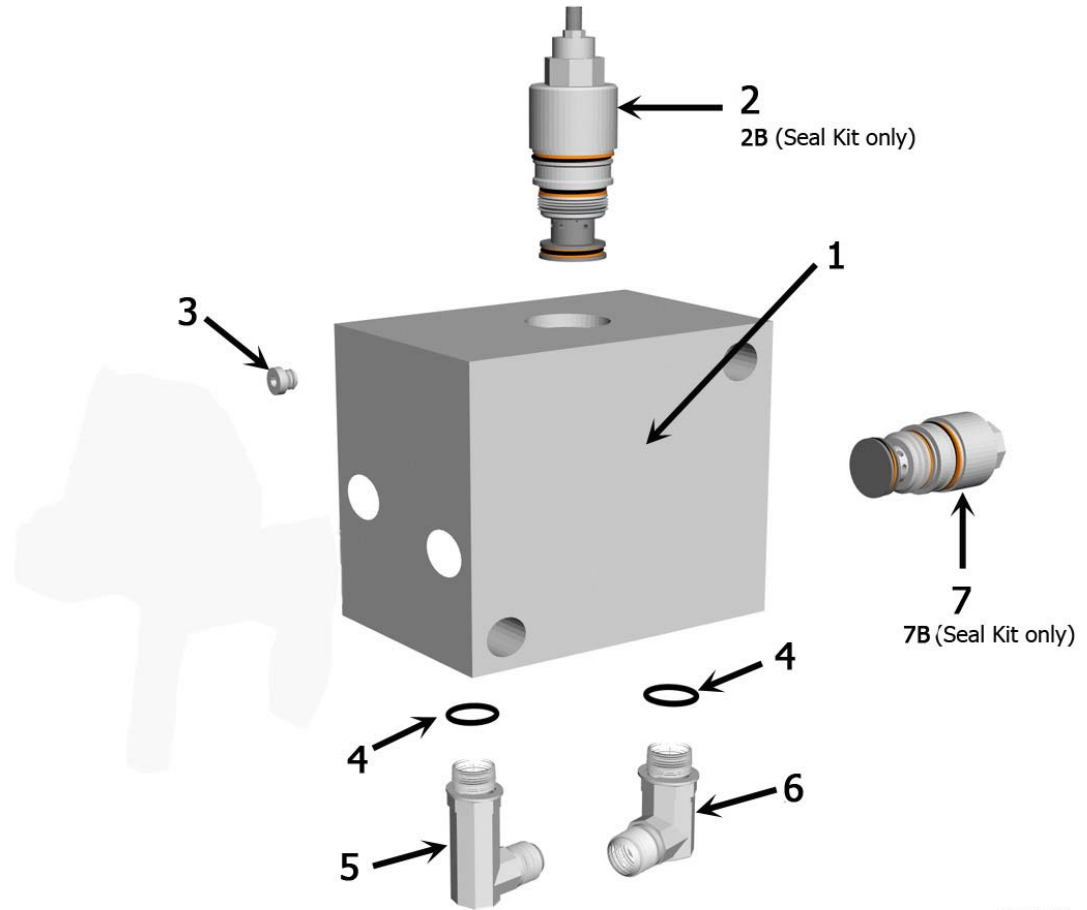


The lettering for the port locations are stamped on the block

A350P010

ITEM	PART	DESCRIPTION
A		Supply Line
B		Pushoff Cyl., (Rod End)-Apron Cyl., Right side (Base End)-Supply Line
C		Pushoff Cylinder, (Base End)
D		Apron Cylinder, Right side, (Rod end)
E		Apron Cylinder, Left side, (Base end)
F		Apron Cylinder, Left side, (Rod end)
CBGB		Counterbalance Valve, adjustable
SCGA		Sequence Valve, adjustable
GA		Pressure test port
GB		Pressure test port

## Hydraulic Valve Seals



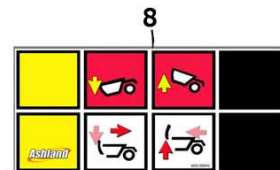
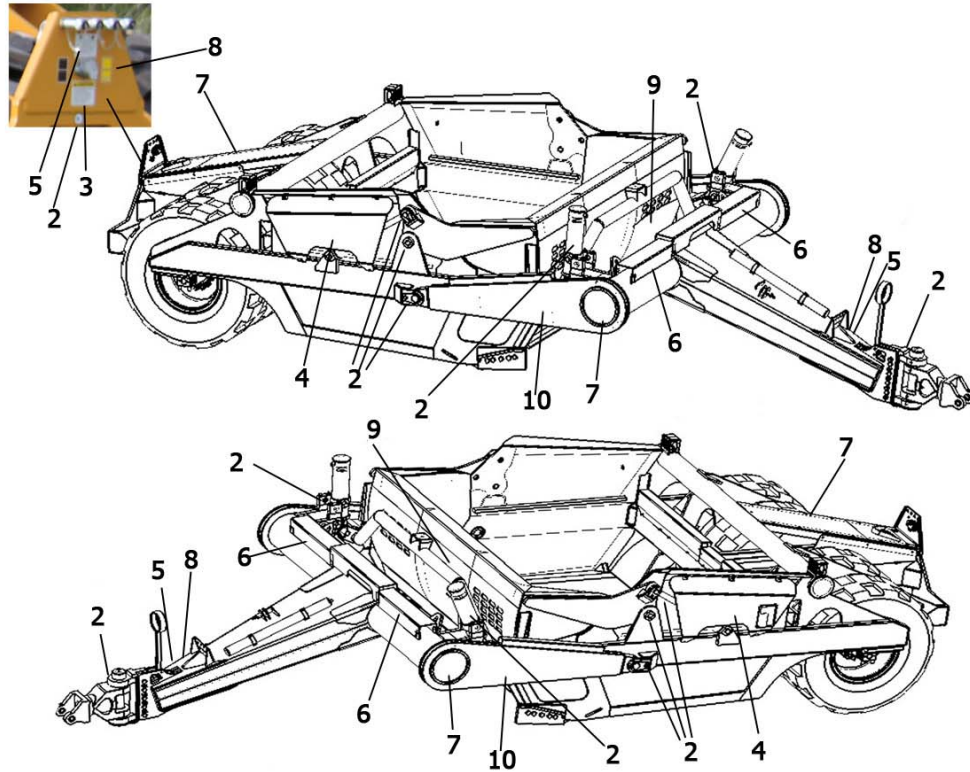
A350P005-TS

ITEM	PART	DESCRIPTION
1	A125174	Valve: Manifold Block IV Body
2	A125162-02	Valve: Sequence Cartridge for Ver. III & IV
2B	A125162-02 KIT	Seal Kit for A125162-02 Valve Cartridge
3	AHA-00046	6 ORB Plug
4	AHS-00153	O-Ring for 12 M ORB Fitting
5	AHA-00047	Adapter: 90 Deg. XL 3/4 MJX 1 1/6 M ORB
6	AHA-00044	Adapter: 90 Deg. 3/4 MJ X 1 1/6 M ORB
7	A125162-01	Valve: Counterbalance Cartridge for Ver. III & IV
7B	A125162-01 KIT	Seal Kit for A125162-01 Valve Cartridge



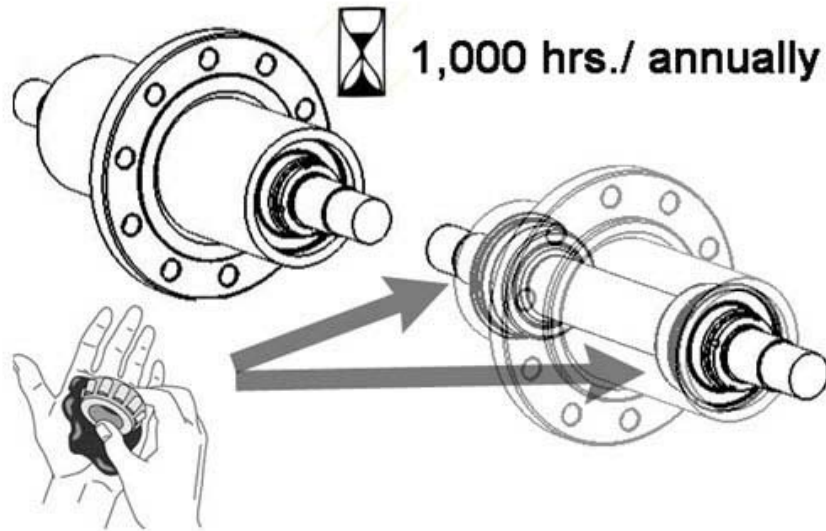
**ASHLAND SCRAPERS**

**Parts - Decals Illustration (220TS4)**



**ASHLAND SCRAPERS****Parts - Decals**

ITEM	PART	DESCRIPTION
1	ADS-00011	Pinch Point
2	ADS-00019	Grease Twice Daily
3	ADS-00015	'Caution' Tandem Use
4	ADS-00060	Model 220 TS4 Badge
5	750464	High Pressure Fluid Hazard
6	ADS-00064	"ASHLAND" Small
7	ADS-00065	"AI" Logo Large
8	ADS-00041	Plumbing Controls
9	A123286	Depth Gauge
10	ADS-00062	"ASHLAND" Large

**ASHLAND SCRAPERS****Service: Axle Service Recommendations**

The bearings within the rear axle of the scraper are fully greased with a Mobilgrease XHP 222 series grease at the factory. This series of grease is an extended service lithium complex greases intended for a wide variety of applications and severe operating conditions. Ashland uses special bearing grease packer to ensure the bearing is effectively & evenly lubricated. Generous amounts of additional grease are added on both sides of the bearing prior to install within the hub.

Before installing or re-installing the hub, follow this procedure to ensure spindle machined surfaces are clean and undamaged.

1. Remove old lubricant and thoroughly clean spindle.
2. Inspect machined spindle seal surface for nicks, scratches, burrs or marks. If needed, use crocus cloth or emery cloth to repair damaged areas.
3. Clean spindle threads thoroughly with a wire brush to avoid false bearing adjustments and to avoid introduction of contaminants into the hub.
4. Thoroughly clean spindle machined surfaces of rust, dirt, grease or other contaminants that could damage the hub seal and cause it to leak.

**ASHLAND SCRAPERS****Service: Axle Service Recommendations****Mobilgrease XHP™ 222**

Mobilgrease XHP 222, part of the Mobilgrease XHP™ 220 series, is an extended service lithium complex greases intended for a wide variety of applications and severe operating conditions. These greases were designed to outperform conventional products by applying cutting edge, proprietary, lithium complex manufacturing technology. They are formulated to provide excellent high temperature performance with superb adhesion, structural stability and resistance to water contamination. These greases have a high level of chemical stability and offer excellent protection against rust and corrosion. These greases feature high dropping points and maximum recommended operating temperature of 140° C (284°F).

**Caution**

Too much grease volume (overgreasing) in a bearing cavity will cause the rotating bearing elements to begin churning the grease, pushing it out of the way, resulting an increase of bearing component temperatures. This leads to rapid oxidation (chemical degradation) of the grease as well as an accelerated rate of oil bleed, which is a separation of the oil from the thickener. The heat that has been generated over time along with the oil bleed eventually will cook the grease thickener into a hard, crusty build-up that can impair proper lubrication and even block new grease from reaching the core of the bearing. This can result in accelerated wear of the rolling elements and then component failure.

**Grease Locations**



Trunion Cylinder Points



Hitch Points



Grease Line - Rear

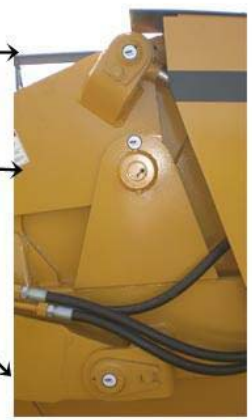


Apron Rod End

Rod End

Apron Pivot

Main Frame Pivot



Hold Down and Floor Rollers

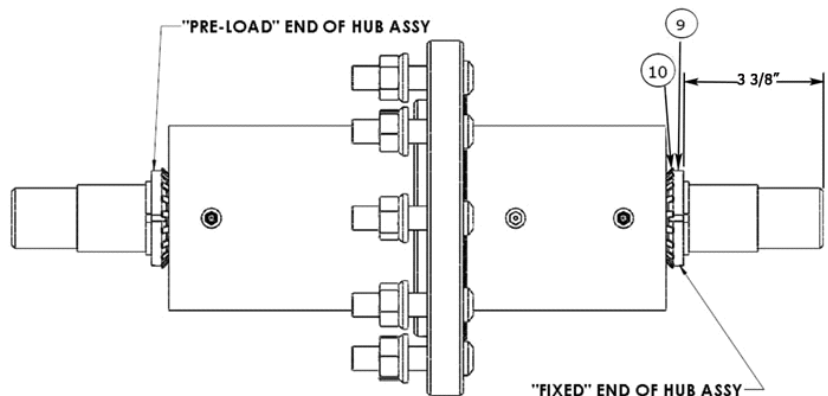


Rear Push-Off Cylinder (Inside)



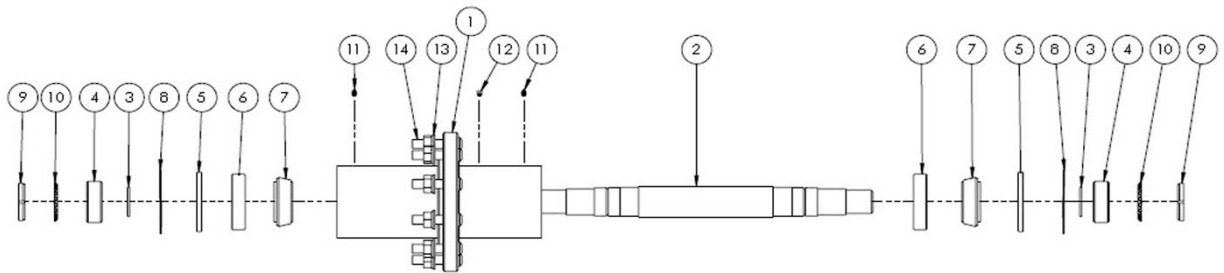
**ASHLAND SCRAPERS****Hub-Axle Assembly**

1. Lubricate bearings cones (item 7,X2).
2. Install (1) bearing cones onto axle.
3. Install new o-rings (item 3, x2) onto axle.
4. Install bearing spacer against lubricated bearing.
5. Install (1) lockwasher against bearing spacer with internal tab positioned in keyway of axle.
6. Install (1) locknut. Torque to 50 ft-lb. Bend appropriate lockwasher tab into locknut slot.
7. Install axle assembly into hub from "fixed" end.
8. Repeat steps 2-5 for parts on "pre-load" end of hub.
9. Install locknut and torque as follows:
  - Initial torque locknut to 200 ft-lb.
  - Back off locknut one full turn.
  - Rotate axle at least 5 revolutions.
  - Torque locknut to 50 ft-lb while rotating axle.
  - Back off locknut 1/4-1/2 turn.
  - Final torque locknut to 55-65 in-lb.
10. Bend appropriate lockwasher tab into locknut slot.
11. Lubricate seals and install into hub.
12. Install retaining rings (item 8,x2).



**ASHLAND SCRAPERS****Hub-Axle Disassembly**

1. Disengage lock tab on "pre-load" side of axle lockwasher (item 10).
2. Remove axle locknut (item 9) and lockwasher (item 10).
3. Remove seal retaining rings (item 8, x2).
4. Remove hub seals (item 5, x2).
5. Remove axle (item 2) out "fixed" end of hub.
6. Remove bearing spacers (item 4, x2).
7. Remove bearing cones (item 7, x2).
8. Remove o-rings from axle (item 3, x2).



**ASHLAND SCRAPERS**
**Tire Inflation**

TIRE INFLATION (PSI)				
Scraper Model	Front Tire Size (XL)	Max PSI	Rear Tire Size	Max PSI
950	16.5-16.1 ANS 10 Ply	36	16.9-24 ANS 8 Ply	24
110	16.5L-16.1 ANS 10 ply	36	18.4-26 ANS 10 Ply	26
130	21.5-15.1 10 Ply	28	18.4-26 ANS 12 Ply	32
155	20.5-25 12 Ply	51	29.5 X 25 28 Ply	62
175	20.5-25 12 Ply	51	29.5 X 25 28 Ply	62
215			29.5 X 25 28 Ply	62
180CS			23.5 X 25 12 Ply	54
220			20.5-25 12 Ply	65

On new machines, the wheels should be retorqued after the first two hours of use. Then check tires daily to ensure correct inflation levels. Check tire pressure with an accurate gauge having 6.9 kPa (0.07 bar) 1 psi) gradations.

Check tires daily to ensure correct inflation levels. Also check for:

- Tire Damage
- Loose or missing wheel lugs, nuts or caps
- Uneven wear
- Damaged Rims

Torque Ft-lbs	Lug nuts (by model)
85-100	900-950
450	110-130
450	155-175 front
750	155-175 rear
450-500	215TS-180CS
750	220
Torque Ft-lbs	Bolt Diameter
12	1/4"
25	5/16"
45	3/8"
70	7/16"
110	1/2"
150	9/16"
220	5/8"
380	3/4"
600	7/8"



**ASHLAND SCRAPERS****Maintenance Check List**

1. Grease all zerks.
  - a) Every 8 hours of operation.
  - b) See Lubrication Points section on next page.
  
2. Greasing the hubs.
  - a) Re-pack wheel bearings after 300 hrs of operation.
  - b) Completely clean grease out of hub and bearings every 1200 hours of operation.
  
3. Check tire pressure.
  - a) See Tire Pressure Chart.
  
4. Check all pins for signs of wear.
  - a) Daily
  
5. Check wheel lug nut torque.
  - a) After first 2 hours of operation.
  - b) Recheck daily for next 2 weeks.
  - c) Tighten wheel lug nuts in a star pattern.
  - d) Torque wheel lug nuts (See Torque Specifications).
  
6. Check and retighten all bolts.
  - a) After initial 10 hours of use.
  - b) Again after 50 hours of use.
  - c) See Torque Specifications.
  
7. Inspect cutting edges.
  - a) Daily
  - b) Replace cutting edges when center blade has been worn to approximately 6" and side edges worn to approximately 4".



**CAUTION!** Failure to replace worn cutting edges may result in unnecessary wear to the earthmover sides and floor.

Note: Please specify left or right "L" shaped cutting edges when ordering replacements. Left or right side parts are determined by viewing from rear of the scraper.

**ASHLAND SCRAPERS****Service: Tire Service**

**The task of servicing tires and wheels can be extremely dangerous and should be performed by trained personnel only, using the correct tools and following specific procedures. Do not attempt to mount, demount or inflate a tire if you do not have the proper equipment and experience to perform the job. Call a qualified repair service to inspect the assembly and make necessary repairs. Failure to heed warnings could lead to serious injury or death.**

Visually inspect tires and wheels daily. Carefully inspect any rim and tire assembly that has been run underinflated or flat before reinflating the tire to make sure there is no damage to either the rim or tire.

- ALWAYS wear personal protection equipment such as gloves, footwear, eye protection, hearing protection and head gear when servicing tire and wheel components.
- DO NOT operate with damaged rims, tire cuts or bubbles, missing lug bolts or nuts or damaged rims.
- ALWAYS maintain the correct tire pressure. NEVER exceed recommended tire inflation pressure.
- INSPECT any rim and tire assembly that has been run flat or severely underinflated before reinflating the tire. Damage to the rim and tire may have developed.
- NEVER inflate a tire that has lost air pressure or has been run flat without determining and correcting the problem.
- NEVER try to repair wheel, rim, or tire components parts. Parts that are cracked, worn, pitted with corrosion, or damaged must be discarded, and replaced with good parts.
- ALWAYS use approved tire and rim combinations for the model scraper that you have and verify that part numbers of components are correctly matched for the assembly.
- ALWAYS exhaust all air from the tire prior to demounting.
- ALWAYS place wheel and tire assemblies in restraining devices (safety cage) when inflating tires. Use a clip-on chuck and long extension hose to allow you to stand to the side of the tire and not in front of it.
- NEVER weld or cut on an inflated tire assembly. Welding heat can cause increased pressure which could result in tire explosion.
- ALWAYS use proper lifting techniques, and mechanized lifting aids to move heavy components and assemblies.
- NEVER leave a tire, wheel, or assembly unsecured in a vertical position.
- ALWAYS take care when moving tires and wheels that other people in the area are not endangered.

**ASHLAND SCRAPERS**
**Tools Required**

SAE Tool Sizes Required to Service Ashland Scrapers	
<b>Direct-Mount Scrapers</b>	<b>1-215 -220</b>
<b>Hitch</b>	
Hitch Pin	2-1/4"
MDU Hitch	3-3/4"
Super Swivel Hitch	3-3/4"
Secure Hitch to Front Section	1-1/2"
<b>Dolly-Wheeled Scraper</b>	
<b>Sockets</b>	
Ball	
<b>Front Section</b>	
Trunion Blocks	1-1/8"
Accumulator Clamps	3/4"
<b>Plumbing</b>	
Steel Hyd. Lines	1-1/4"
Steel Hyd. Lines Clamps	1/2"
Rubber Hyd. Lines 3/4"	1-1/16"1-1/4"1-3/8"
Rubber Hyd. Lines 1/2"	
Bulk-Head adaptors	1-3/8"
Dirt Shields	9/16"
<b>Plumbing</b>	
Steel Hyd. Lines	1-1/4"
Steel Hyd. Lines Clamps	1/2"
Rubber Hyd. Lines 3/4"	same
Rubber Hyd. Lines 1/2"	same
<b>Blades</b>	
Blades	1-1/2"
<b>Automatic Sequencing Valves</b>	
Cartridge, Sequence Jam Nut	9/16" Jam Nut
Cartridge, Sequence, Adj. Set-Screw	5/32" Allen Wrench
Cartridge, Counter Balance, Jam Nut	9/16" Jam Nut
Cartridge, Counter Balance, Adj Set-Screw	5/32" Allen Wrench
Pressure relief valve, Cap & Jam Nut	
Pressure relief valve, Adj. Set-Screw	
<b>Ejector</b>	
Dirt Shields, Ejector	3/4"
Braces	1-7/8"
rollers	15/16"
Slides	1-1/8"
Wear pads	
<b>Wheels</b>	
Hub, Internal	
Hub, wheel nuts or bolts	
Axle	1-7/8" 2"
<b>Brakes (VCE machines only)</b>	
Brakes	
<b>Miscellaneous</b>	
Grease fitting	5/16"7/16"
Grease Lines	7/16"1/2"
Apron Pivot Pins	
Dirt Shields	9/16"

**ASHLAND SCRAPERS****Troubleshooting**

With proper care and maintenance, your Ashland Scraper will give many years of reliable service. When a situation arises where the earthmover performance is not satisfactory, this section will give some pointers on finding and correcting the problem.

---

**Grease zerk will not take grease.**

---

1. Grease zerk plugged.
  - a) Remove and replace grease zerk.
2. Pin is frozen.
  - a) Remove, clean, and inspect pin.
  - b) Replace pin if necessary.
3. Bushing grease passage is not aligned with grease zerk.
  - a) Remove, clean, inspect, and realign bushing.
  - b) Replace bushing if necessary and realign.

---

**Push-off rollers do not roll.**

---

1. The rollers need lubrication.
  - a) Check zerk hole and grease.
  - b) Remove pin, clean, inspect, and replace if necessary.
2. The roller bushing is worn out.
  - a) Remove roller assembly and replace bushing.
  - b) See parts manual.

---

**Cylinders will not hold in preset position, i.e. the cylinder creeps.**

---

1. Seals leaking internally.
  - a) Remove and replace seal kit.

---

**Machine cuts unevenly.**

---

1. Cutting edges worn unevenly.
  - a) Replace cutting edges.
2. Improperly inflated tires.
  - a) Check air pressure in tires.

**ASHLAND SCRAPERS****Warranty Statement**

Ashland Industries Inc. warrants each new product to be free from defects in material and workmanship. This warranty is applicable only for the normal service life expectancy of the product or components, not to exceed **six consecutive months** from the date of delivery of the new Ashland Industries product to the purchaser, or the date the product is first put into service via a rental agreement or other means, whichever occurs first.

The major components of swivel hitches used on Industrial series scrapers are warranted for three consecutive months from the date of delivery of the new Ashland Industries product to the purchaser, or the date the product is first put into service via a rental agreement or other means, whichever occurs first, except those components described below.

Genuine Ashland Industries Inc. replacement parts and components will be warranted for 30 days from date of purchase, or the remainder of the original equipment warranty period, whichever is longer.

Under no circumstances will it cover any merchandise or components thereof, which in the opinion of the company, has been subjected to misuse, unauthorized modification, alterations, an accident or if repairs have been made with parts other than those obtained through Ashland Industries Inc.

Ashland Industries Inc. in no way warrants Tires since their respective manufacturer warrants these items separately. Please call Ashland Industries Inc. to receive phone numbers of tire suppliers.

Ashland Industries Inc. in no way warrants wearable items such as cutting edges, front dolly wheel balls, socket halves, rollers, bushings, yoke hitch pins, hitch bushings, etc..

Our obligation under this warranty shall be limited to repairing or replacing, free of charge to the original purchaser, any part that, in our judgment, shall show evidence of such defect, provided further that such part shall be returned within 30 days from the date of failure to Ashland Industries Inc. routed through the dealer and distributor from whom the purchase was made, transportation charges prepaid. Upon warranty approval proper credits will be reimbursed for transportation.

This warranty shall not be interpreted to render Ashland Industries Inc. liable for injury or damages of any kind or nature to person or property. This warranty does not extend to the loss revenue, extra labor cost associated with downtime, substitute machinery, rental or for any other reason.

Except as set forth above, Ashland Industries Inc. shall have no obligation or liability of any kind on account of any of its equipment and shall not be liable for special or consequential damages. Ashland Industries Inc. make no other warranty, expressed or implied, and, specifically, Ashland Industries Inc. disclaims any implied warrant or merchantability or fitness for a particular purpose. Some states or provinces do not permit limitations or exclusions of implied warranties or incidental or consequential damages, so the limitations or exclusion in this warranty may not apply.

This warranty is subject to any existing conditions of supply which may direct affect our ability to obtain materials or manufacture replacement parts.

Ashland Industries Inc. reserves the right to make improvements in design or changes in specifications at any time, without incurring any obligation to owners of units previously sold.

No one is authorized to alter, Modify or enlarge this warranty nor the exclusion, limitations and reservation .

Warranty Department