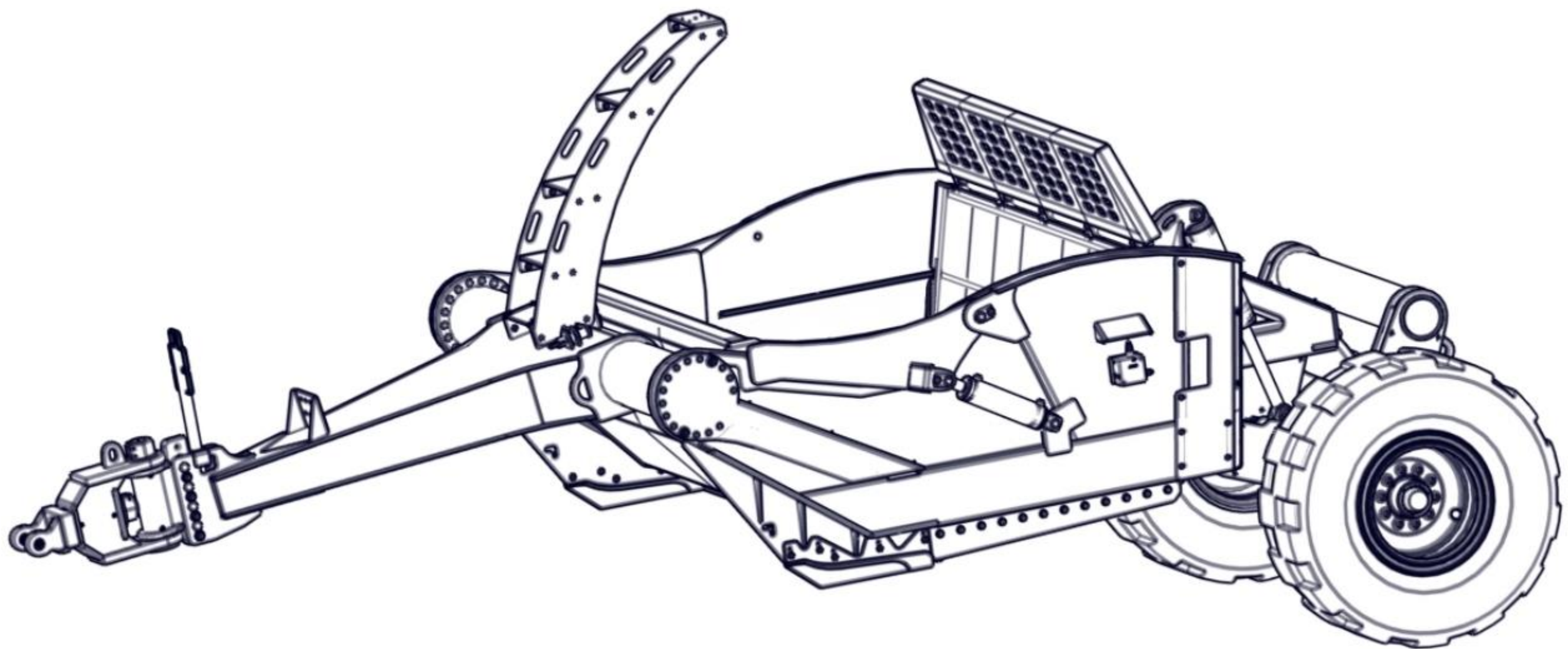


# **ASHLAND** INDUSTRIES

## Parts Manual 1410E



WG-1410-003 & -004  
4-Tire & 2-Tire

2-20

25093+

*Address*

**1115 Rail Drive  
PO BOX 717  
Ashland, WI USA 54806**



*Toll Free*

**(877) 634-4622**

*Business*

**(715) 682-4622**

*Fax*

**(715) 682-9717**

*Website*

**www.ashlandind.com  
www.scraperdrawbar.com**

# Table of Contents



Introduction	3
Scraper Specifications	4
Assembly	5
Hitches	6
Bowl	8
Pushoff	10
Apron	12
Optional – Laser Mast	13
Rear Section	14
Wheel Assembly	17
Apron Cylinder	19
Lift Cylinder	21
Pushoff Cylinder	23
Transport Locks & Hose Holder	25
Hydraulic Hose Clamps	26
Manifold	27
Decals	28
Operation & Maintenance	29
Safety Guidelines	32
Tire Inflation & Torque Chart	33
Tire Service	34
Hub Service	35
Troubleshooting	36
Warranty Statement	37



Thank you for choosing an Ashland scraper for your earthmoving needs. Years of research, testing, and successful application have been spent to ensure quality and maximum performance for our customers.

## Quality Policy

It is our mission to exceed our customers' expectations in quality, delivery, and cost through continuous improvement and customer interaction.

Please read and understand this manual before attempting to attach or operate this scraper. This manual should always remain with the machine. Be sure and fill out and send in the owner's registration form at the beginning of this manual, or you may fill out the form on-line by going to [ashlandind.com](http://ashlandind.com) and click on "Owner Registration" in the Parts section drop-down. If you have questions, please feel free to call or email us. You can visit us on-line at [www.ashlandind.com](http://www.ashlandind.com).

Ashland Industries hours of operation are 8:00 a.m. to 5:00 p.m. CST. We can be reached toll free at: 877-634-4622.

## Scraper ID Number

You can find the serial number plate for **most** machines on the right side of the scraper in the top corner of the bowl. CS models will have plates on the front horse-head or front section. The letter and numbers stamped identify the serial number, model number, and capacity of the scraper. Please record this serial number for use in ordering parts, warranty issues, and to track your equipment if it is ever stolen.



## Important

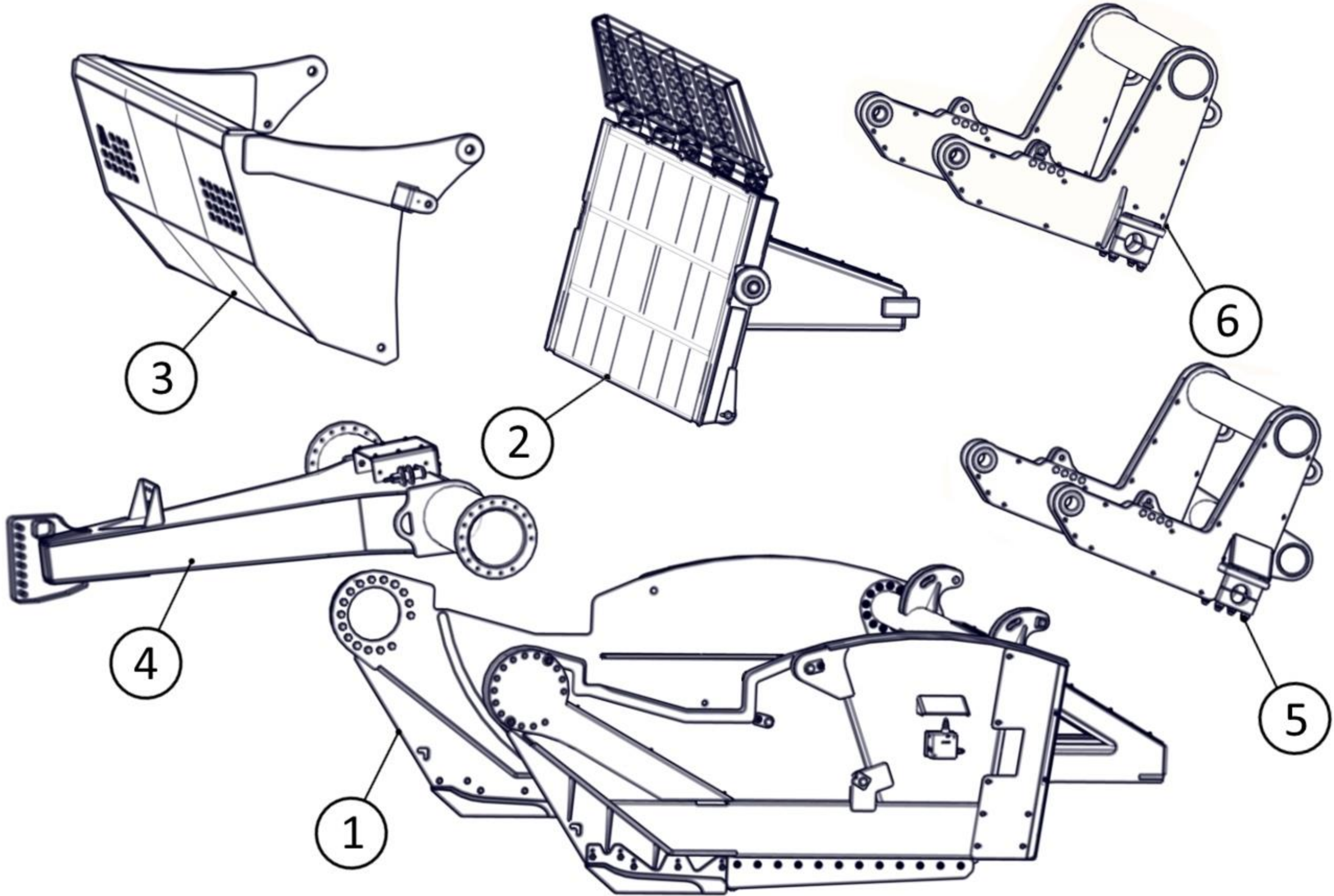
Parts must be ordered through your local authorized ASHLAND dealer. Be sure to state MODEL and SERIAL NUMBER of your machine. Ashland Industries Weldable replacement parts are also available to rebuild, modify, or update your scraper to current factory specifications.

# Scraper Specifications



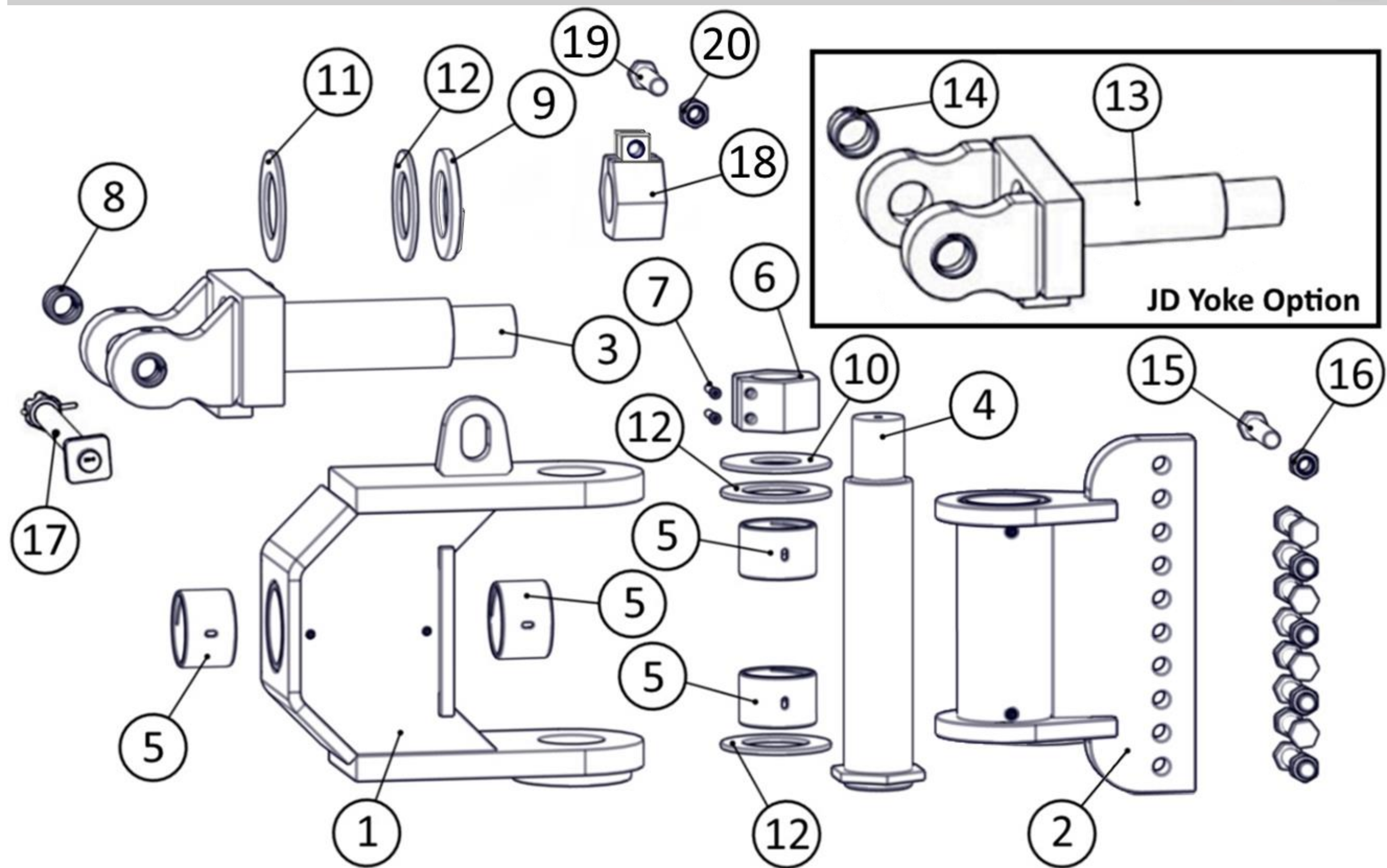
<b>Capacity, Struck</b>	9 Cubic Yards
<b>Capacity, Heaped</b>	14 Cubic Yards
<b>Overall Dimensions:</b> Length Width Height	298 Inches 134 Inches 74-1/4 Inches
<b>Apron Clearance</b>	49 Inches
<b>Weight: Empty</b> 2-Tire 4-Tire	14,000 Pounds 15,300 Pounds
<b>Cutting Width</b>	120 Inches
<b>Depth of Cut</b>	6 Inches
<b>Depth of Spread</b>	0 – 17 Inches
<b>Blade: 5 Piece</b> Center Corner Router	7/8 x 13 x 50-1/8 Inches 3/4 x 10 x 35-13/16 Inches 1 x 10 x 30 Inches
<b>Cylinders:</b> Apron Lift Pushoff	Two (4 x 13 Inches) Two (5 x 16 Inches) One (4-1/2 x 40 Inches)
<b>Horsepower Requirements:</b> Single (Tractor)	225 - 500

# Assembly



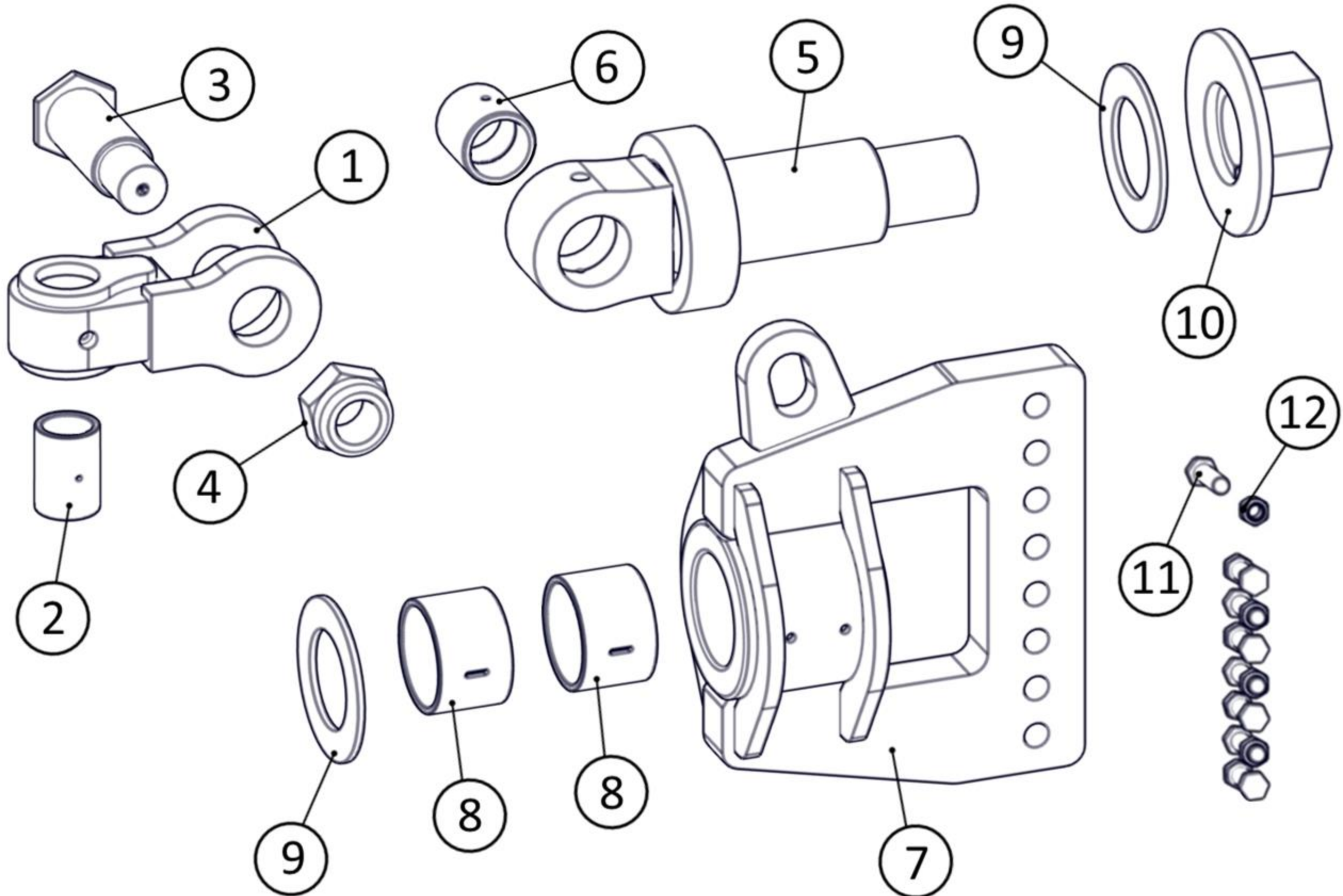
Item	Part Number	Description
1	Multiple	Bowl
2	702021	Pushoff
3	703017	Apron
4	704023	Front Section
5	706011	Rear Section: 2-Tire
6	706009	Rear Section: 4-Tire

# Ashland Hitch - 601135

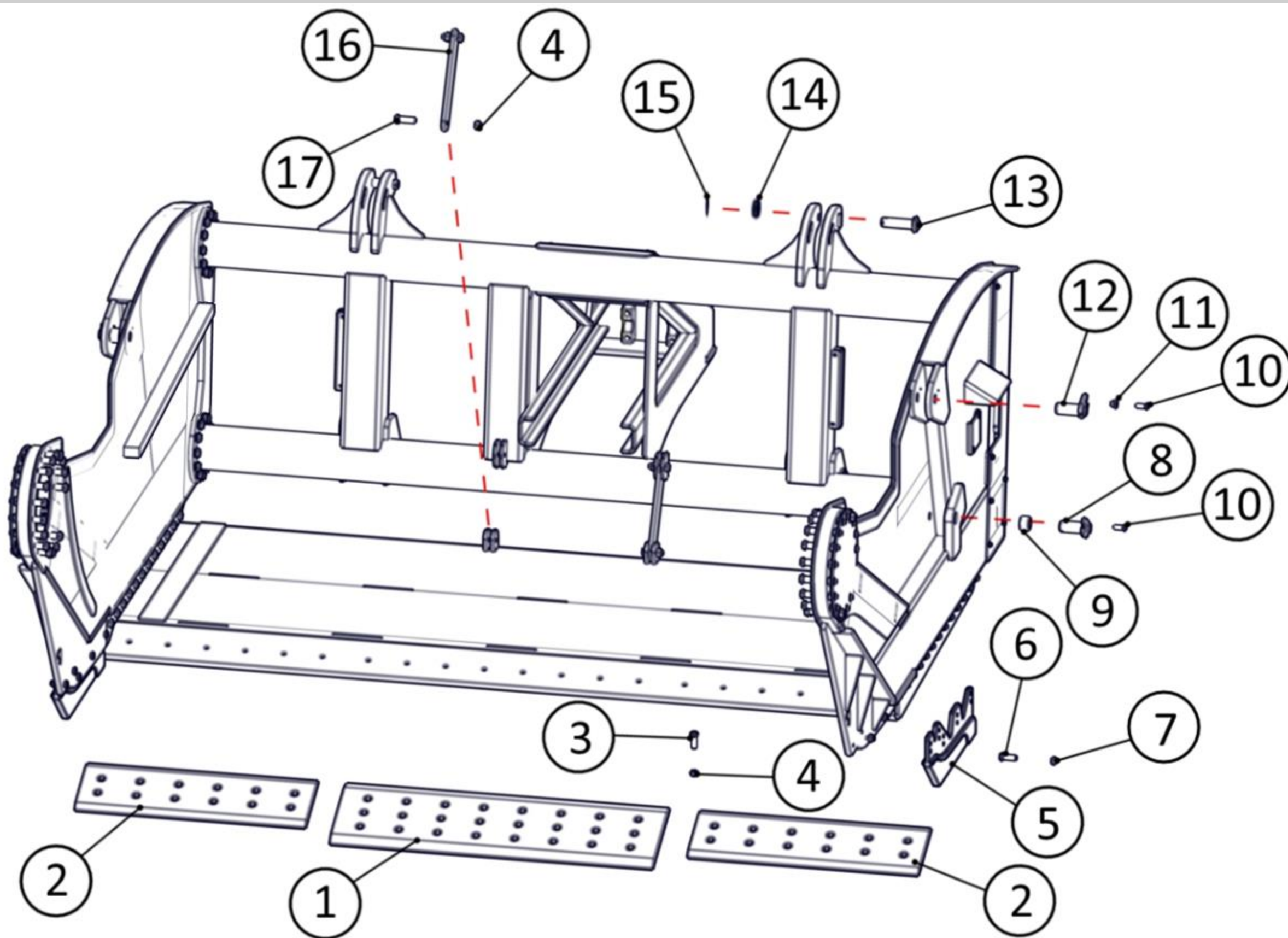


Item	Part Number	Description
Ashland Hitch	601135	Hitch Ass'y.: Includes Items 1 – 12 & 18 only
1	601139	Hitch: Housing
2	601138	Hitch: Vertical Bracket
3	601090	Yoke: Ashland Swivel
4	600925	Pin: Vertical, 4"
5	400312	Bushing: 4" ID x 3" Long
6	601026	Clamp: 3"-8 Nut w/ Cap Screws
7	AFB-00184	Cap Screw: 3/8"-16 x 2"
8	A123343	Bushing: Spring 1-1/2" x 2" w/ Grease Hole
9	601549	Ring: Steel, 3" ID x 8" OD w/ 4-1/8" ID Shoulder
10	503468	Ring: Steel, 3" ID
11	400318	Washer: UHMW, 4" x 6-3/8"
12	400384	Washer: Nylon, 4" x 8"
13	601121	Yoke: JD Swivel (requires 601392 Sleeve & 600609 Pin)
14	400216	Bushing: Spring 2-3/8" x 2-7/8" w/ Grease Hole
15	AFB-00021	HHCS: 1"-8 x 5-1/2"
16	AFN-00037	Nut: 1"-8 Top Lock
17	CNH 84268964	Pin Ass'y.: 1-1/2" Diameter w/ Nut & Cotter Pin
18	601550	Clamp: 3"-8 Eared Nut w/ HHCS & Nut
19	AFB-00086	HHCS: 1"-8 x 3-1/2"
20	AFN-00012	Nut: 1"-8

# HD Ag. Cat. 4 Swivel Hitch - 601440



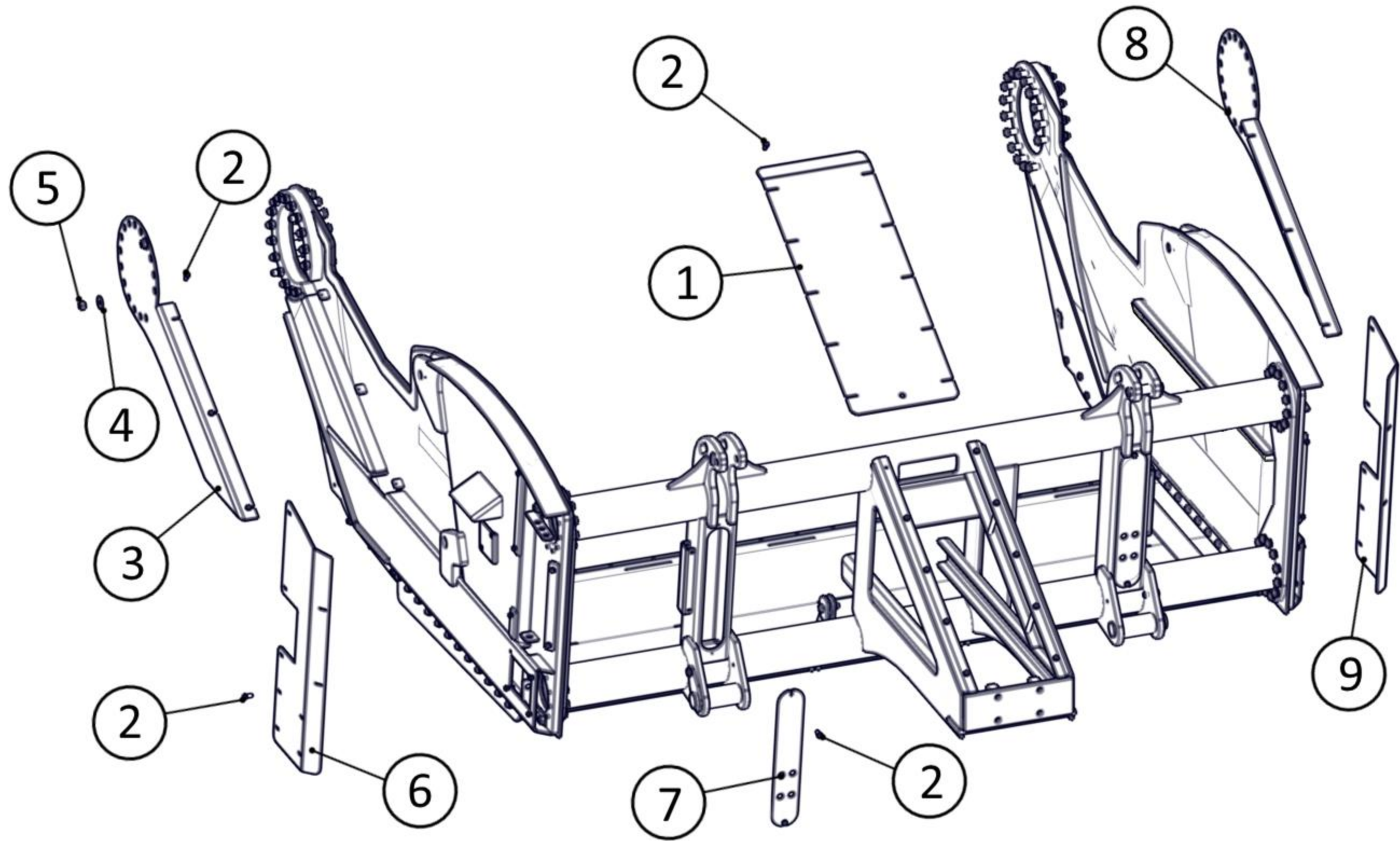
Item	Part Number	Description
HD Ag. Hitch	601440	Hitch Ass'y.: Includes Items 1 – 10 Only
1	601438	Yoke Ass'y.: Yoke w/ Bushing, Includes Item 2
2	400614	Bushing: 2" x 3-1/2" w/ Grease Hole
3	601441	Pin: Hex 2-1/2" x 7-1/2"
4	AFN-00033	Nut: 2"-12 Nylon Insert Lock Nut
5	601437	Swivel Ass'y.: 4" Swivel w/ Bushing, Includes Item 6
6	400613	Bushing: 2-1/2" x 3" w/ Grease Hole
7	601439	Housing: Body w/ Bushings, Includes Item 8 (2x)
8	400615	Bushing: 4" x 3" w/ Grease Slot
9	504610	Washer: Nylon, 4" x 7"
10	601482	Nut Ass'y.: 3-8" Flanged Clamp Nut
11	AFB-00021	HHCS: 1"-8 x 5-1/2" (8 Bolts Required)
12	AFN-00037	Nut: 1"-8 Top Lock



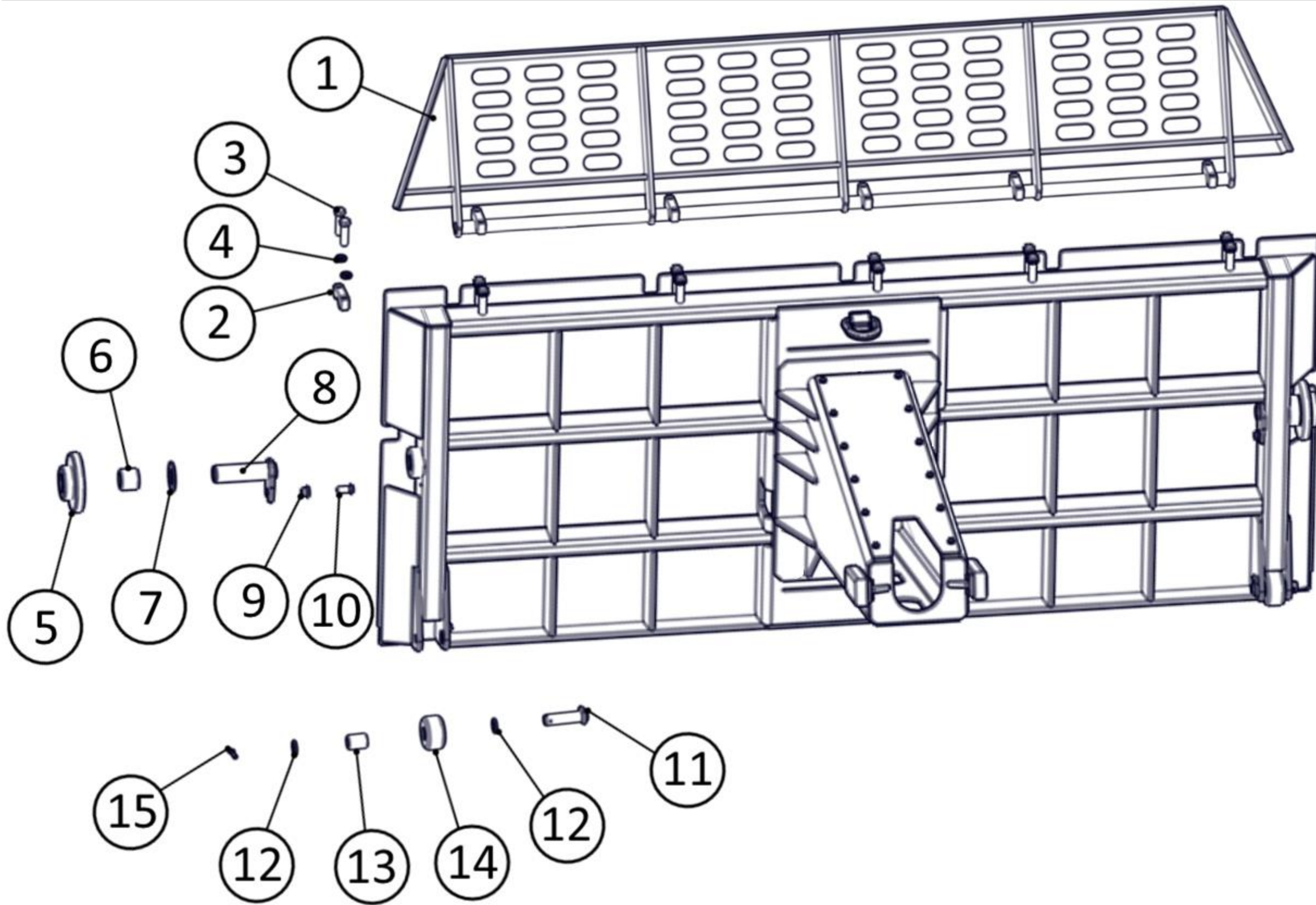
Item	Part Number	Description
1	400306	Blade: Center 13" x 50-1/8" Straight (8 Bolts Required)
Optional	400669	Blade: Center 13" x 50-1/8" Serrated (8 Bolts Required)
2	502662	Blade: Corner 10" x 35-13/16" Straight (6 Bolts Required)
Optional	400388	Blade: Corner 13" x 35-13/16" Finishing (6 Bolts Required)
3	PB7P-NC-075-0225	Bolt: Flat Head Plow 3/4"-10 x 2-1/4"
4	AFN-00006	Nut: 3/4"-10
5	400073	Blade: Router Bit (5 Bolts Required)
6	AFB-00047	HHCS: 5/8"-11 x 2"
7	AFN-00050	Nut: 5/8"-11
8	601071	Pin: 1-1/2" x 3-5/8" w/ Square Head for Fiber Bushing
9	400302	Bushing: 1-1/2" x 1-1/4" Fiber
10	AFB-00015	HHCS: 1/2"-13 x 1-1/2"
11	A123351	Bushing: Pin Keeper w/ Flange
12	601070	Pin: 1-1/2" x 3-3/4" w/ Flag Head for Fiber Bushing
13	601126	Pin: 1-1/4" x 5" for Fiber Bushing
14	AFW-00016	Washer: 1-1/2"
15	AFP-00001	Pin: 1/4" x 3" Cotter
16	503285	Tie Bar: Rear Frame
17	AFB-00005	HHCS: 3/4"-10 x 2-1/2"



# Bowl Guards

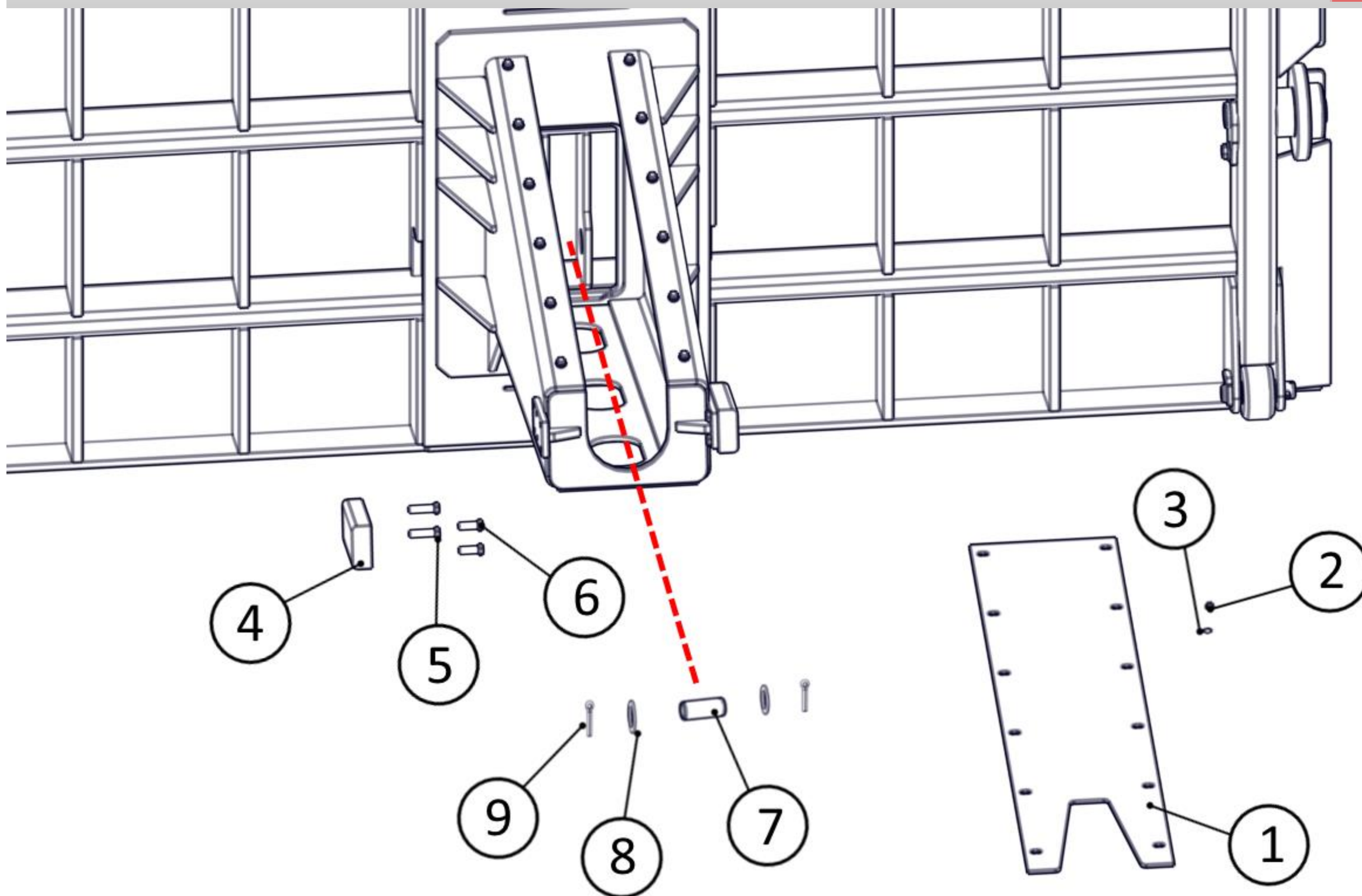


Item	Part Number	Description
1	503669	Guard: Rear Frame
2	AFB-00128	Bolt: 3/8"-16 x 1" Serrated Flanged
3	503696	Guard: Bowl Side, LH
4	AFW-00007	Washer: 3/4" Flat
5	AFN-00006	Nut: 3/4"-10
6	503822	Guard: Rear Bowl Side, LH
7	503811	Guard: Rear Frame Tube
8	503709	Guard: Bowl Side, RH
9	503825	Guard: Rear Bowl Side, RH

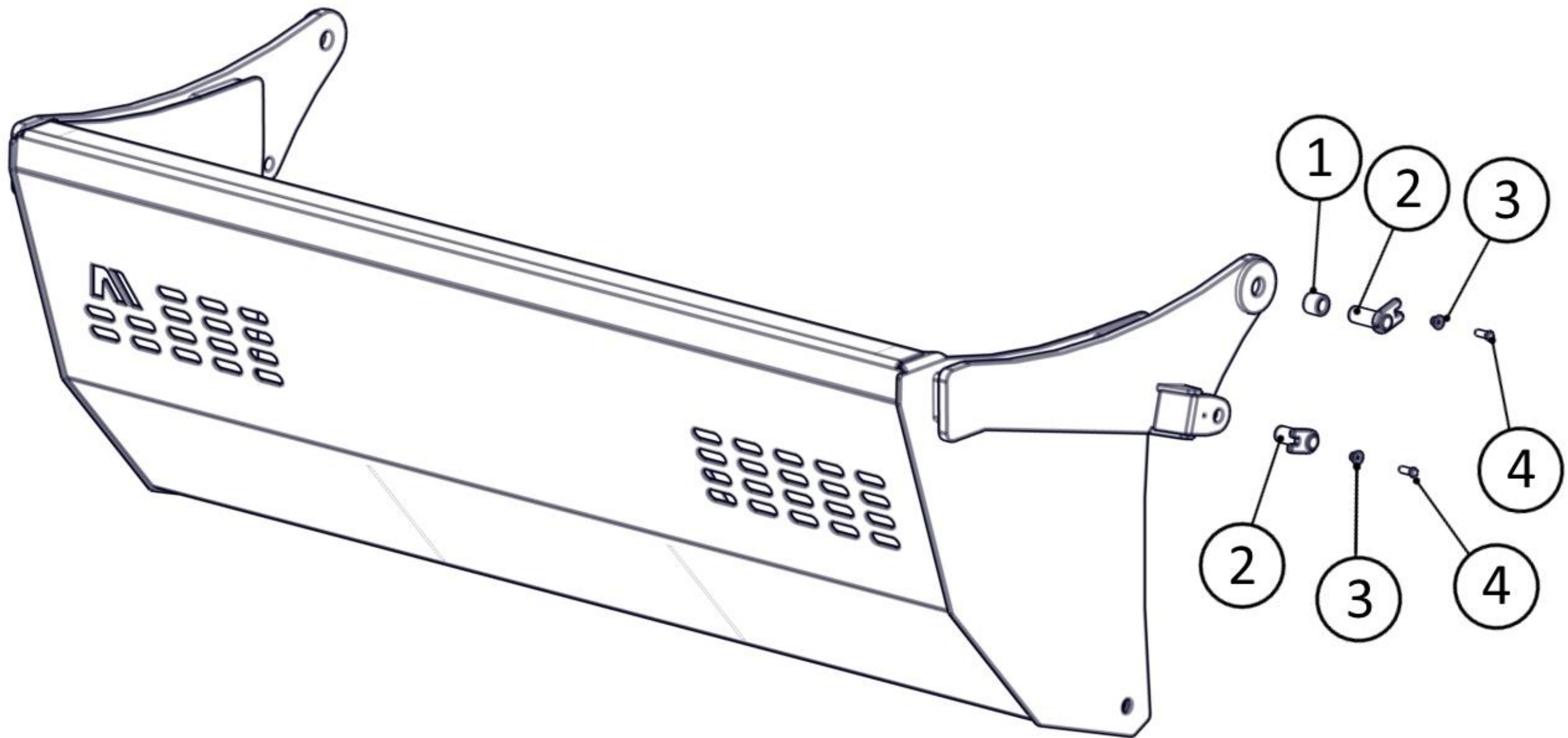


Item	Part Number	Description
1	601199	Spill Plate Ass'y: Tilttable
2	503599	Block: 2" ID Clamp
3	AFB-00064	HHCS: 3/4"-10 x 3"
4	AFW-00002	Washer: 3/4" Split Lock
5	503829	Roller: 7-1/2" OD Flanged Hold Down
6	400355	Bushing: 2" x 2-1/8" Fiber
7	501598	Spacer: 2" ID
8	601265	Pin: 2" x 7" w/ Flag Head for Fiber Bushing
9	A123358	Bushing: 11/16" ID Pin Keeper w/ Flange
10	AFB-00079	HHCS: 5/8"-11 x 1-1/2"
11	601126	Pin: 1-1/4" x 5" for Fiber Bushing
12	AFW-00015	Washer: 1-1/4" Flat
13	400298	Bushing: 1-1/4" x 2-3/8" Fiber
14	503135	Roller: 4-1/4" OD Guide
15	AFP-00010	Pin: 1/4" x 2" Cotter

# Pushoff Tail

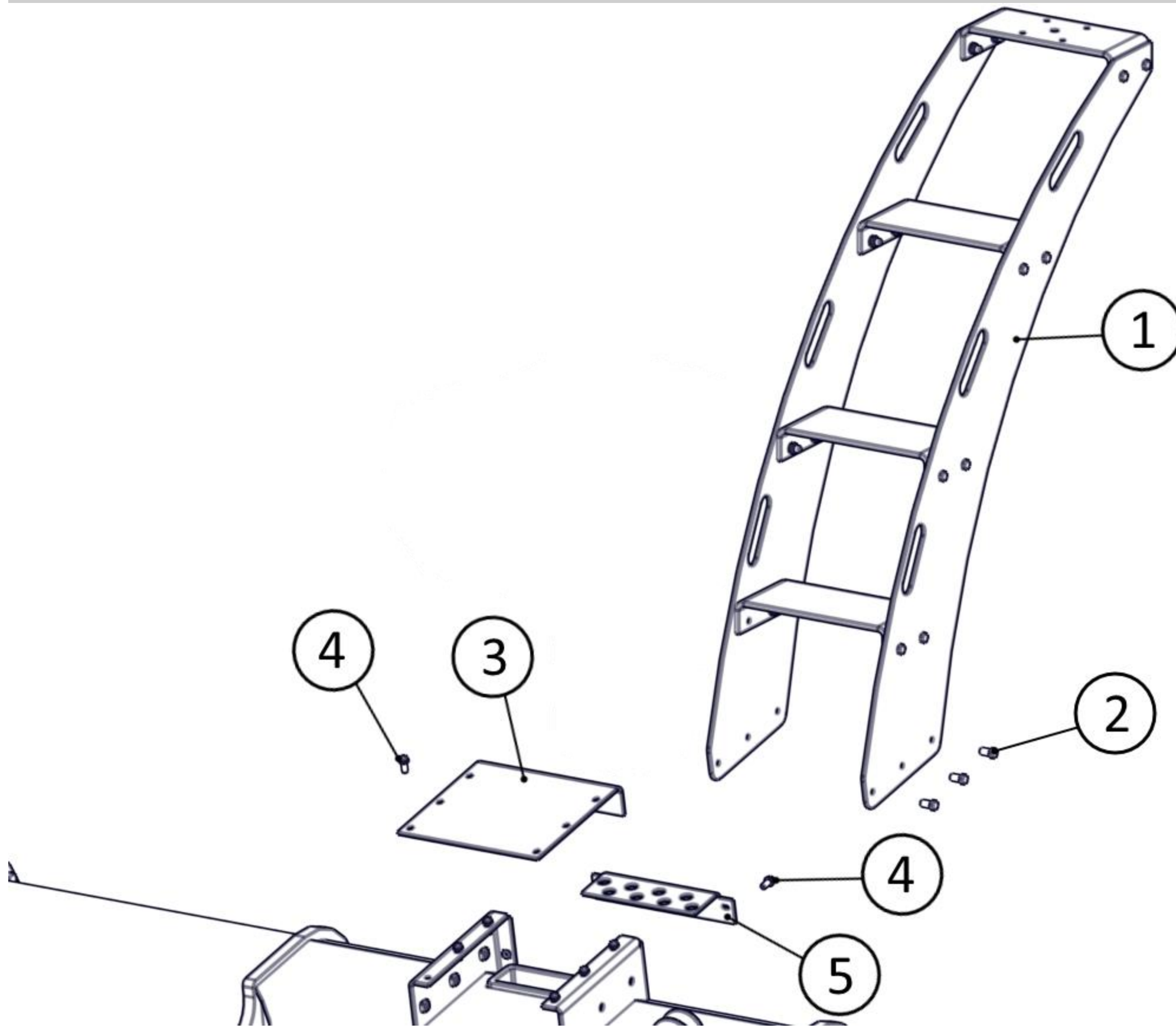


Item	Part Number	Description
1	503268	Plate: Top Pushoff Tail
2	AFN-00078	Nut: 1/2"-13 Nylon Insert Lock
3	AFW-00009	Washer: 1/2" Flat
4	503337	Slide: 3-1/2" x 7" Slide Block
5	AFB-00144	HHCS: 1/2"-13 x 2"
6	AFB-00015	HHCS: 1/2"-13 x 1-1/2"
7	503354	Pin: 2" x 5" for Fiber Bushing
8	AFW-00014	Washer: 2"
9	AFP-00001	Pin: 1/4" x 3" Cotter



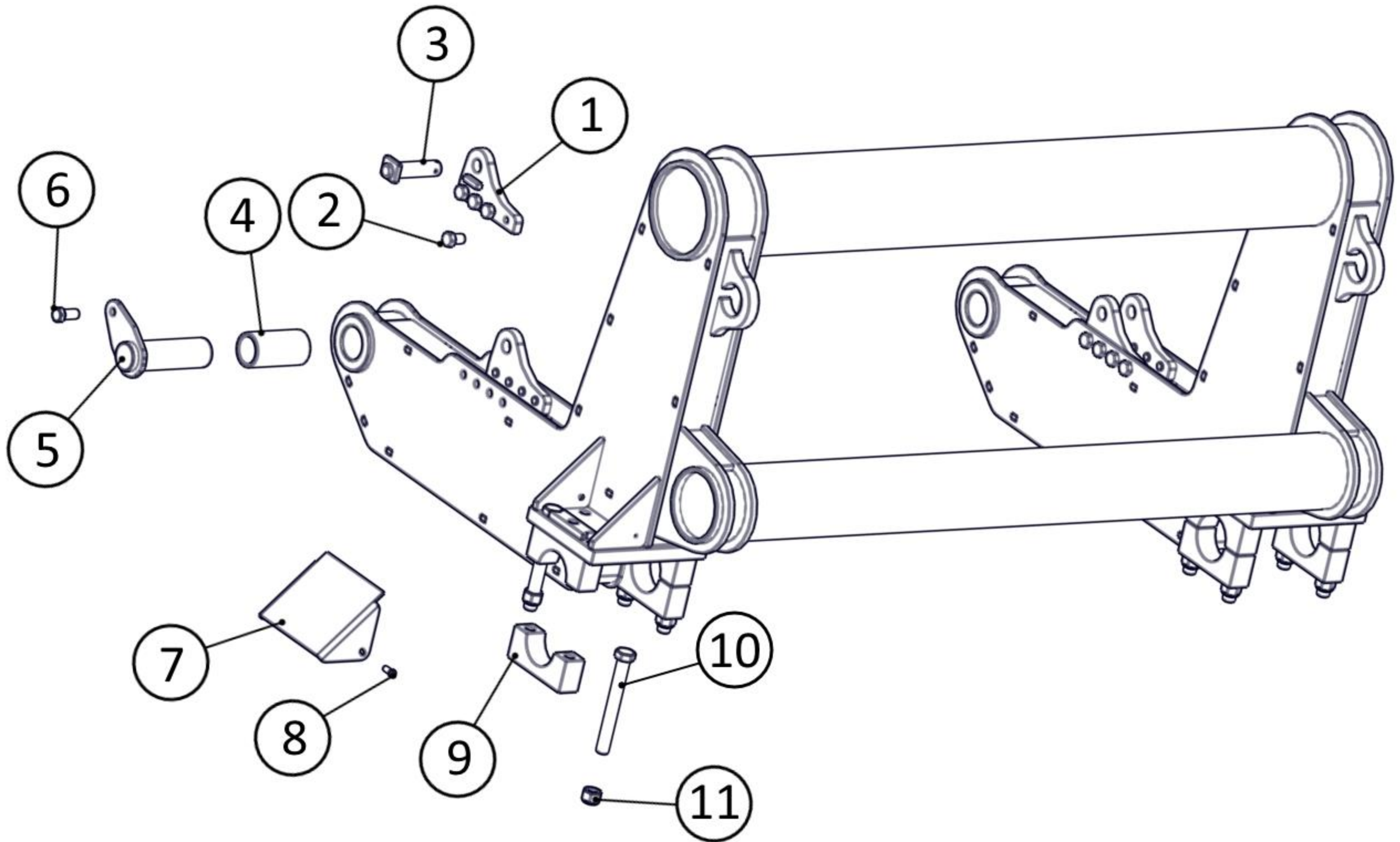
Item	Part Number	Description
1	400378	Bushing: 1-1/2" ID Spherical w/ PTFE Lining
2	601070	Pin: 1-1/2" x 3-3/4" w/ Flag Head for Fiber Bushing
3	A123351	Bushing: 9/16" ID Pin Keeper w/ Flange
4	AFB-00015	HHCS: 1/2"-13 x 1-1/2"

# Optional – Laser Mast



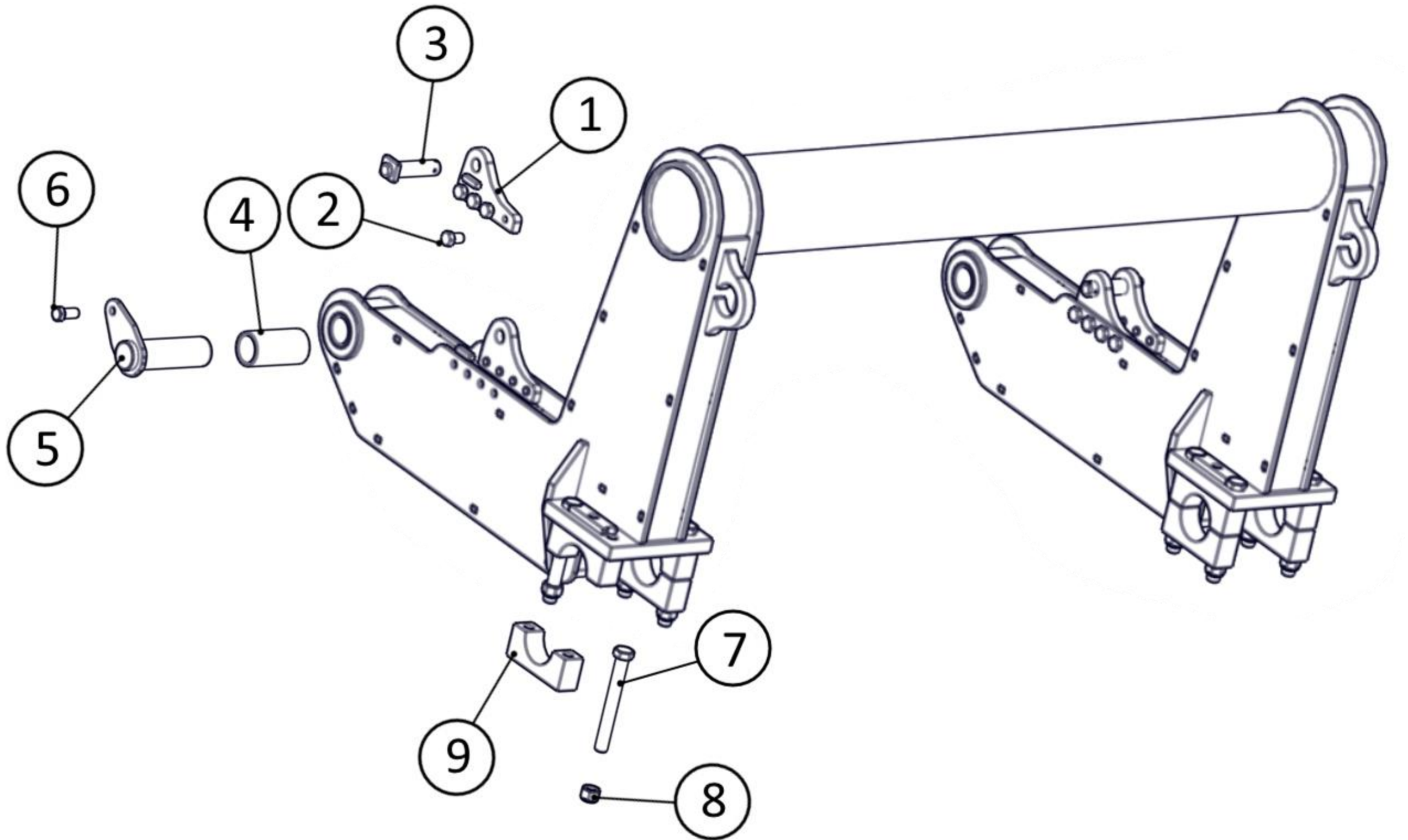
Item	Part Number	Description
1	601200	Mount Ass'y: Laser Mast
2	AFB-00143	HHCS: 1/2"-13 x 1"
3	503333	Guard: Front Section Center
4	AFB-00128	Bolt: 3/8"-16 x 1" Serrated Flanged
5	503719	Plate: Bulkhead

# Rear Section - 2-Tire



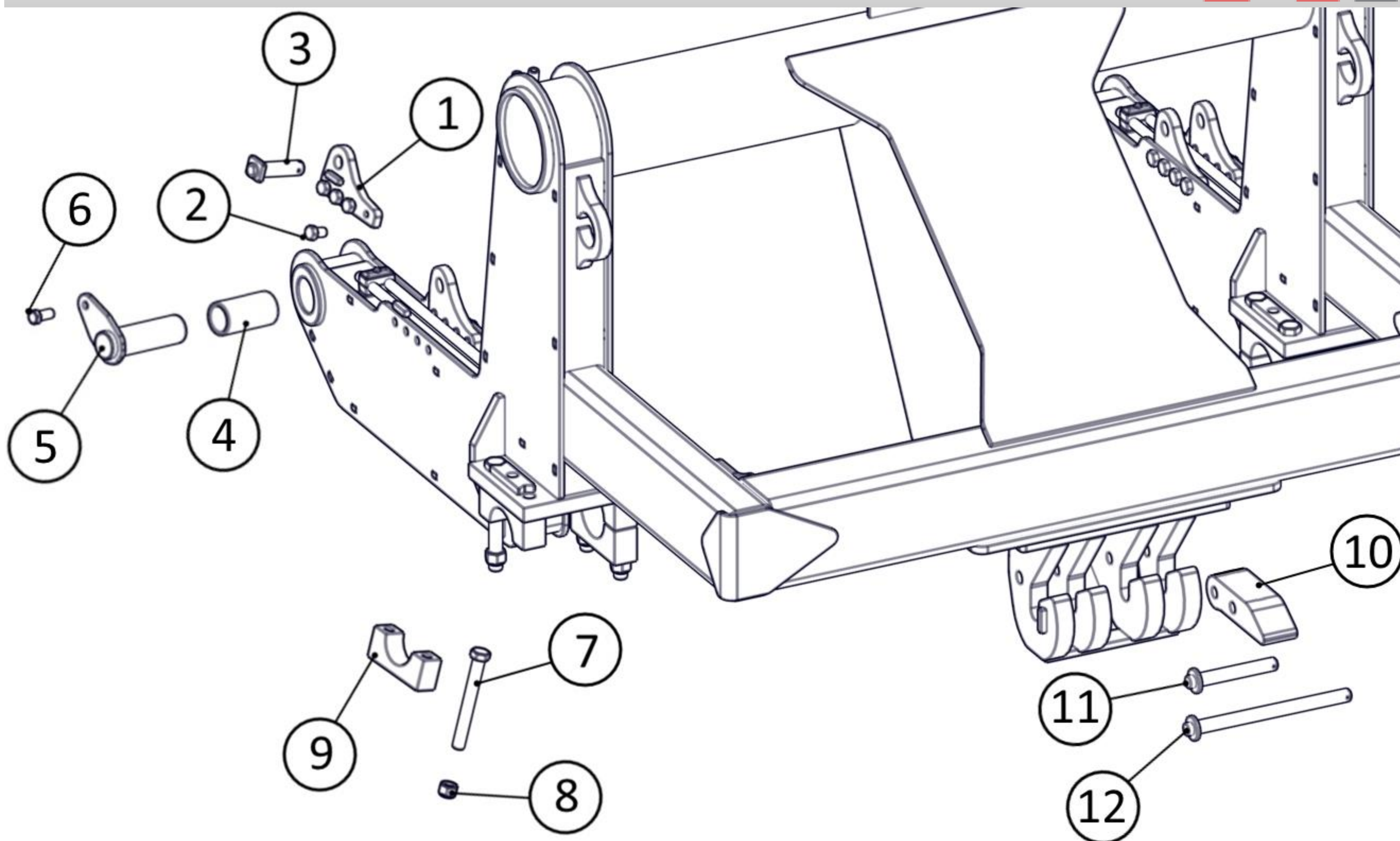
Item	Part Number	Description
1	503955	Ear: Bolt-On (with OR without pin stop)
2	AFB-00042	HHCS: 3/4"-10 x 1-1/4"
3	601126	Pin: 1-1/4" x 5" for Fiber Bushing
4	400307	Bushing: 2-1/2" x 5-3/4" Fiber
5	601128	Pin: 2-1/2" x 7-3/4" w/ Flag Head for Fiber Bushing
6	AFB-00048	HHCS: 3/4"-10 x 1-3/4"
7	503962	Guard: Rear Truss
8	AFB-00128	Bolt: 3/8"-16 x 1" Serrated Flanged
9	503678	Block: 2-1/8" ID Axle Mount
10	AFB-00135	HHCS: 1"-14 x 9"
11	AFN-00004	Nut: 1"-14 Nylon Insert Lock

# Rear Section - 4-Tire



Item	Part Number	Description
1	503720	Ear: Bolt-On (with OR without pin stop)
2	AFB-00042	HHCS: 3/4"-10 x 1-1/4"
3	601126	Pin: 1-1/4" x 5" for Fiber Bushing
4	400307	Bushing: 2-1/2" x 5-3/4" Fiber
5	601128	Pin: 2-1/2" x 7-3/4" w/ Flag Head for Fiber Bushing
6	AFB-00048	HHCS: 3/4"-10 x 1-3/4"
7	AFB-00135	HHCS: 1"-14 x 9"
8	AFN-00004	Nut: 1"-14 Nylon Insert Lock
9	503678	Block: 2-1/8" ID Axle Mount

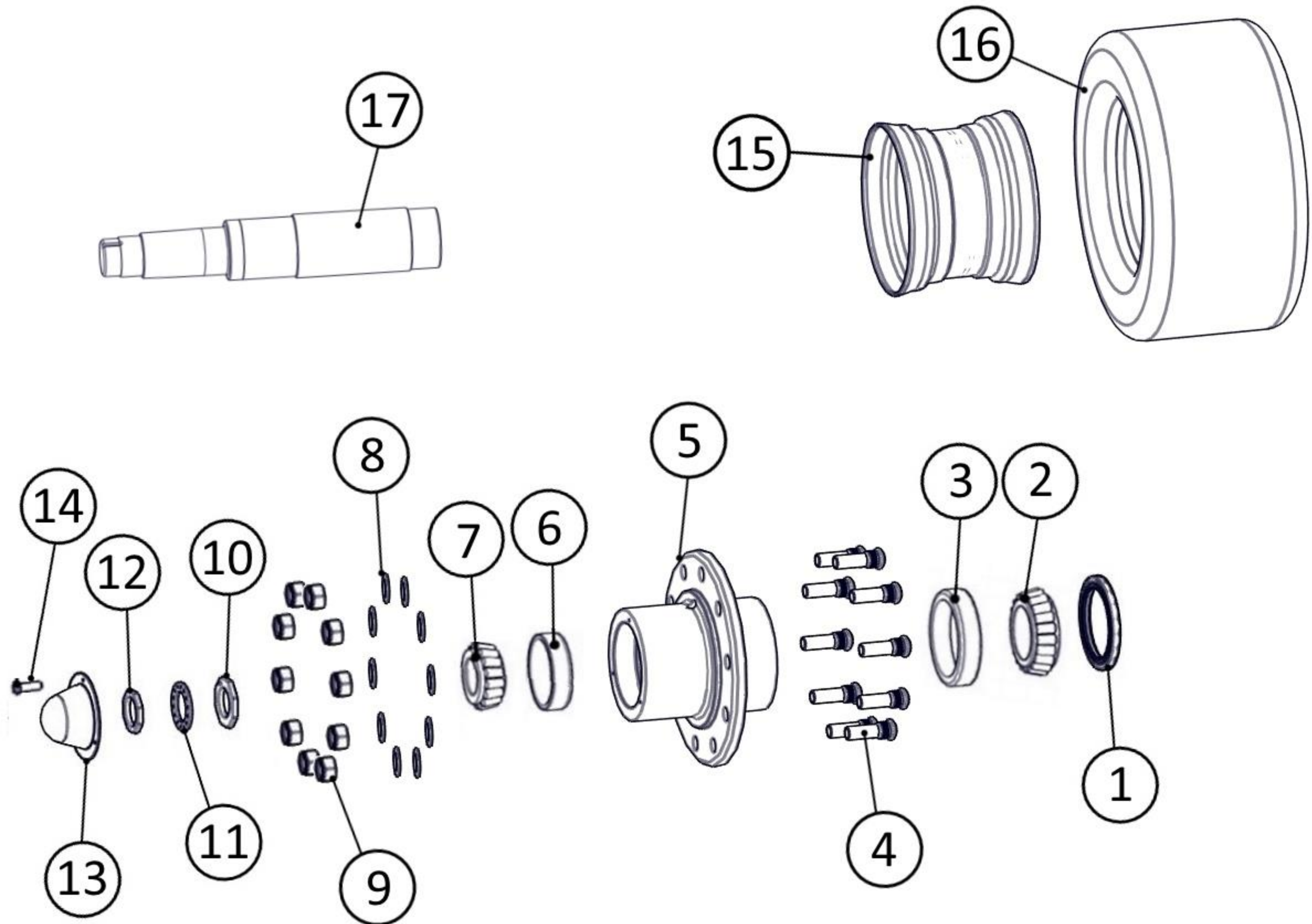
# Rear Section – Front Unit Only 601242



Item	Part Number	Description
1	503720	Ear: Bolt-On (with OR without pin stop)
2	AFB-00042	HHCS: 3/4"-10 x 1-1/4"
3	601126	Pin: 1-1/4" x 5" for Fiber Bushing
4	400307	Bushing: 2-1/2" x 5-3/4" Fiber
5	601128	Pin: 2-1/2" x 7-3/4" w/ Flag Head for Fiber Bushing
6	AFB-00048	HHCS: 3/4"-10 x 1-3/4"
7	AFB-00135	HHCS: 1"-14 x 9"
8	AFN-00004	Nut: 1"-14 Nylon Insert Lock
9	503678	Block: 2-1/8" ID Axle Mount
10	601352	Lug: Rear Hitch
11	600480	Pin: Low-Profile – Short
12	600452	Pin: Low-Profile – Long

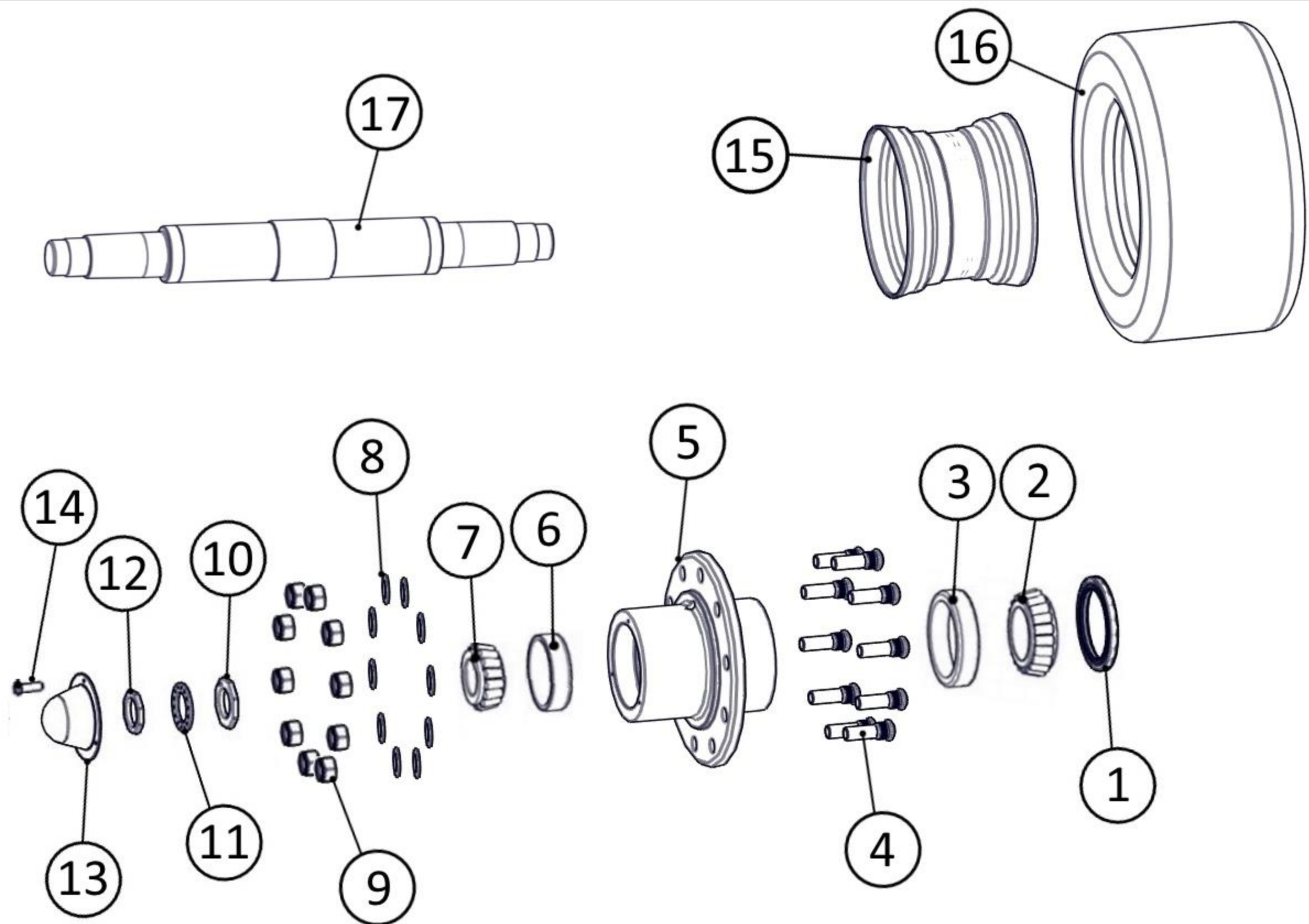


# Wheel Assembly – 2-Tire



Item	Part Number	Description
1	A14011	Seal: Grease
2	A14012	Bearing: Cone Inner
3	A14013	Bearing: Cup Inner
4	400257	Stud: Wheel 3/4"-16 x 2-3/4"
5	A14010A	Hub: 10-Hole
6	A14014	Bearing: Cup Outer
7	A14015	Bearing: Cone Outer
8	AFW-00036	Washer: 3/4" x 2", Thick Hardened Washer
9	A10046	Nut: Lug 3/4"-16
10	A10172	Nut: Spindle 2-5/8" (Inner)
11	A10049A	Ring: Spindle Lock
12	A10048	Nut: Spindle 2-5/8" (Outer)
13	A14004	Cap: Hub
14	AFB-00080	HHCS: 5/16"-18 x 1/2"
15	400229	Wheel: 17" x 25" 10-Hole
16	ATI-00010	Tire: 20.5 – 25
17	503948	Axle: 4-1/4" Diameter x 24-1/4" Long

# Wheel Assembly - 4-Tire

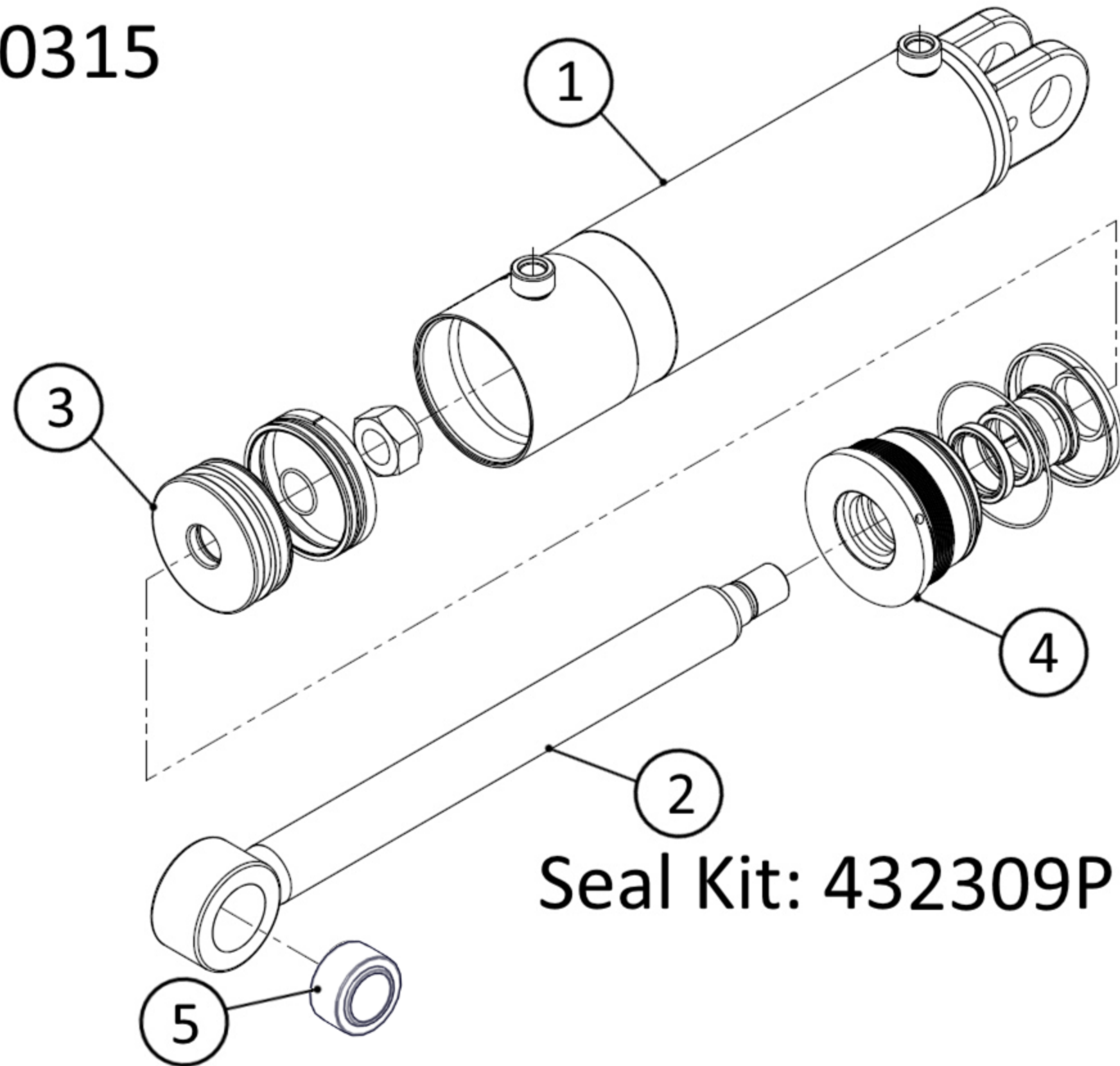


Item	Part Number	Description
1	A14011	Seal: Grease
2	A14012	Bearing: Cone Inner
3	A14013	Bearing: Cup Inner
4	400257	Stud: Wheel 3/4"-16 x 2-3/4"
5	A14010A	Hub: 10-Hole
6	A14014	Bearing: Cup Outer
7	A14015	Bearing: Cone Outer
8	AFW-00036	Washer: 3/4" x 2", Thick Hardened Washer
9	A10046	Nut: Lug 3/4"-16
10	A10172	Nut: Spindle 2-5/8" (Inner)
11	A10049A	Ring: Spindle Lock
12	A10048	Nut: Spindle 2-5/8" (Outer)
13	A14004	Cap: Hub
14	AFB-00080	HHCS: 5/16"-18 x 1/2"
15	400304	Wheel: 14" x 25" 10-Hole
16	ATI-00006	Tire: 17.5 - 25
17	503819	Axle: 4-1/4" Diameter x 39-1/2" Long

# Apron Cylinder - 400315

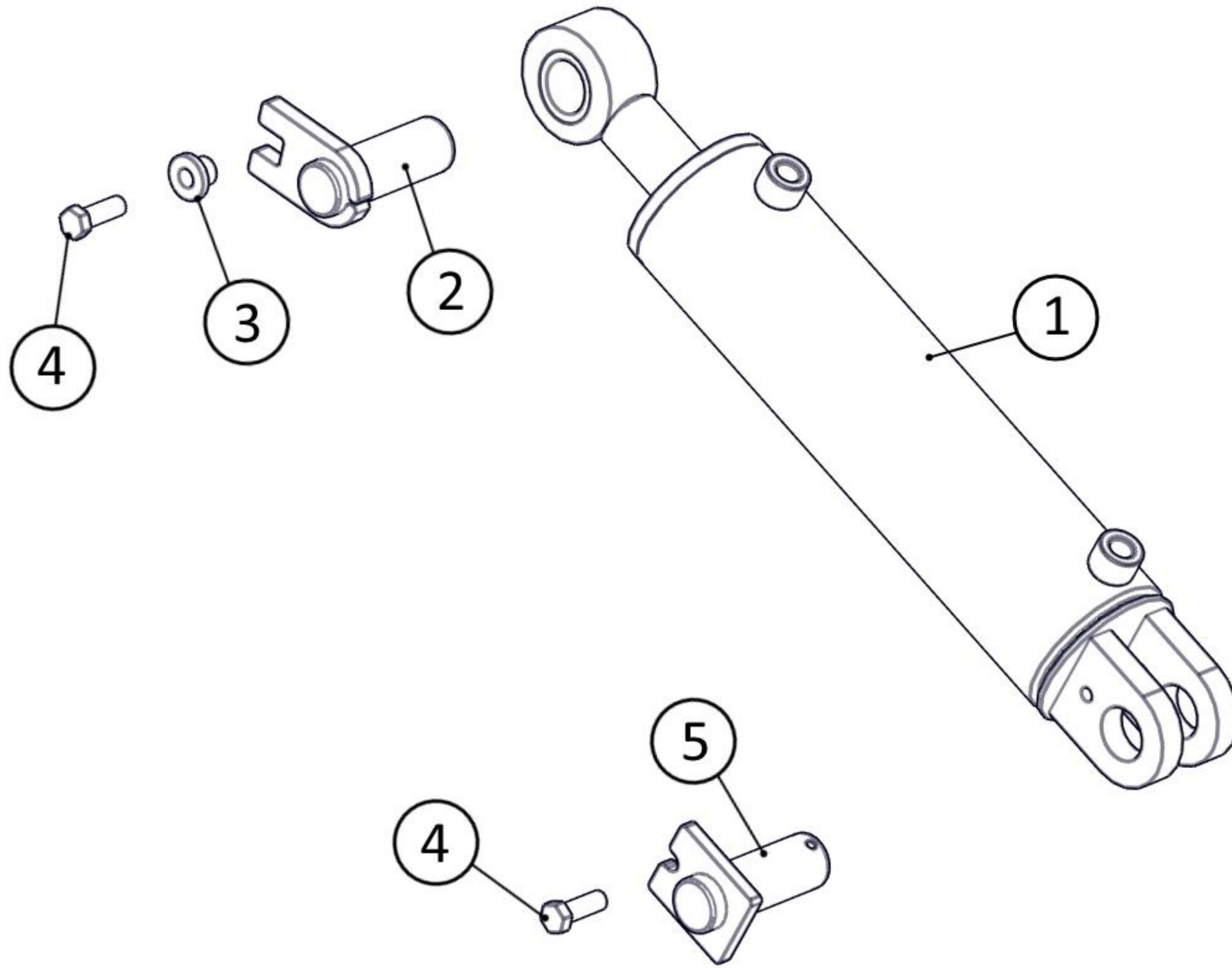


400315



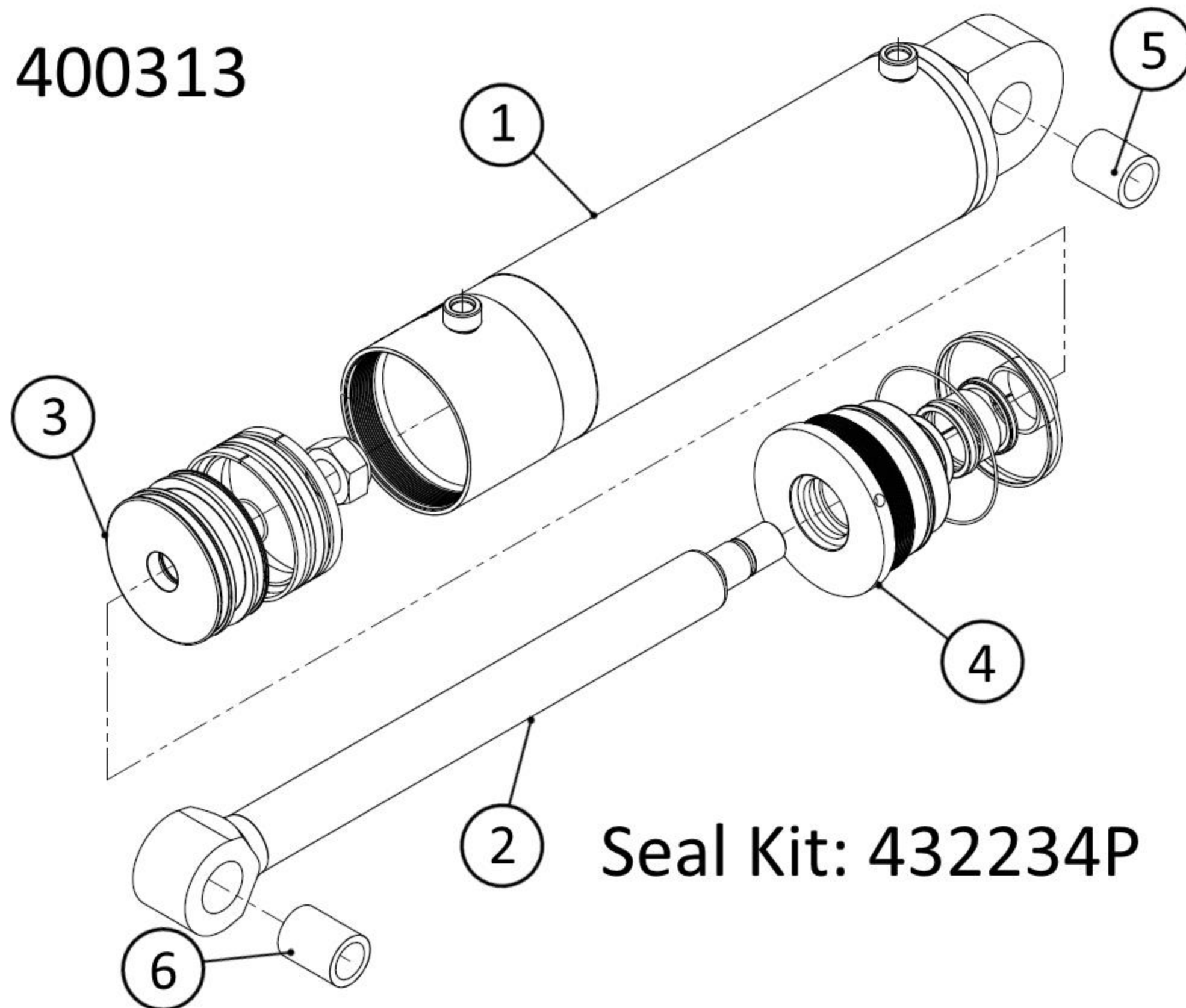
Item	Part Number	Description
1	202062P	Barrel: for 4" x 13" Cylinder
2	301702P	Rod: 1-3/4"
3	400475P	Piston: Ass'y 4" x 1-1/8"
4	500958P	Head: Ass'y 4" x 1-3/4"
5	400378	Bushing: 1-1/2" ID Spherical w/ PTFE Lining
Seal Kit	432309P	Kit: Seal for 400315

# Apron Cylinder Pins



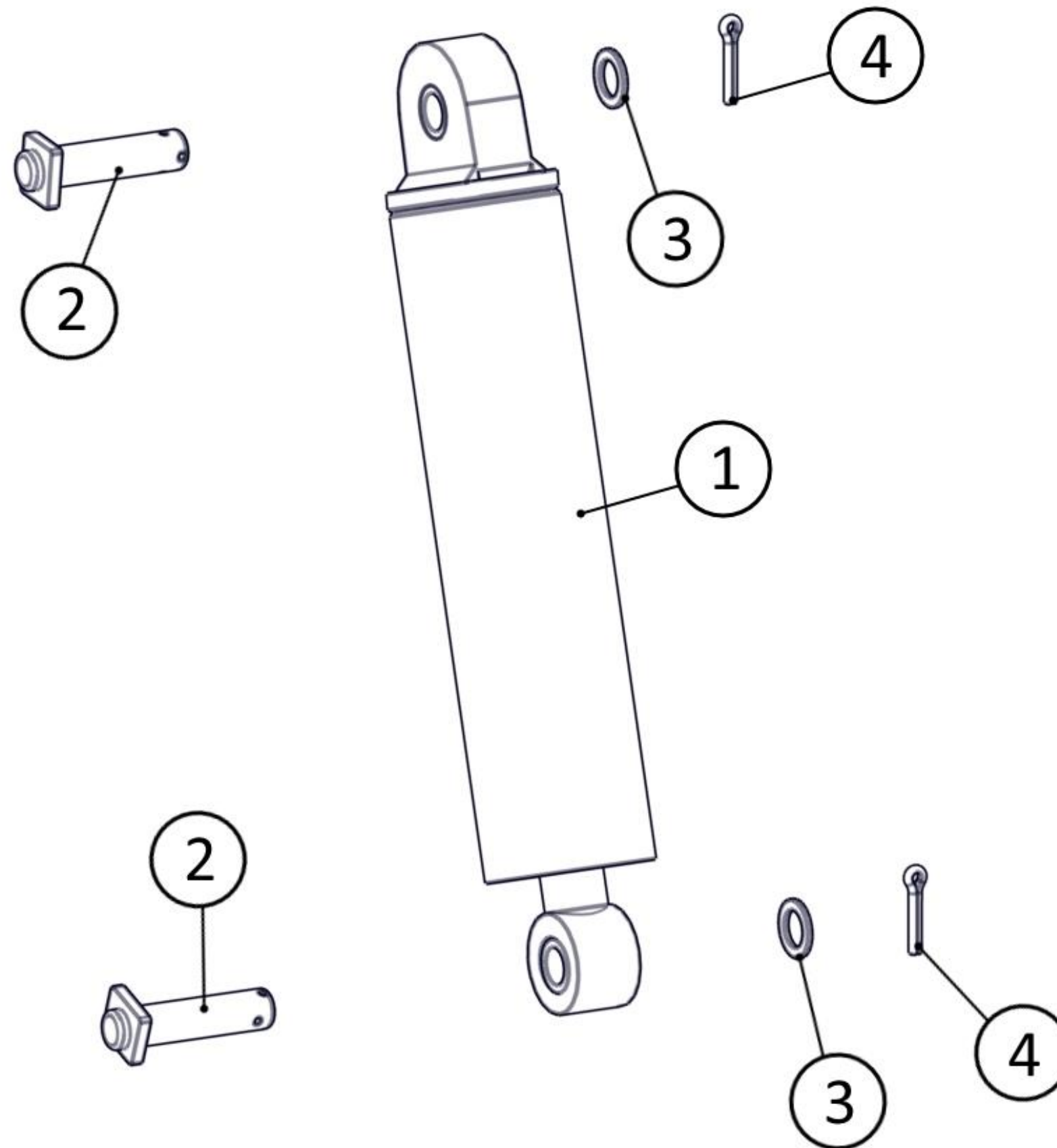
Item	Part Number	Description
1	400315	Cylinder: 4" x 13"
2	601070	Pin: 1-1/2" x 3-3/4" w/ Flag Head
3	A123351	Bushing: 9/16" ID Pin Keeper w/ Flange
4	AFB-00015	HHCS: 1/2"-13 x 1-1/2"
5	601071	Pin: 1-1/2" x 3-5/8" w/ Square Head for Fiber Bushing

# Lift Cylinder - 400313



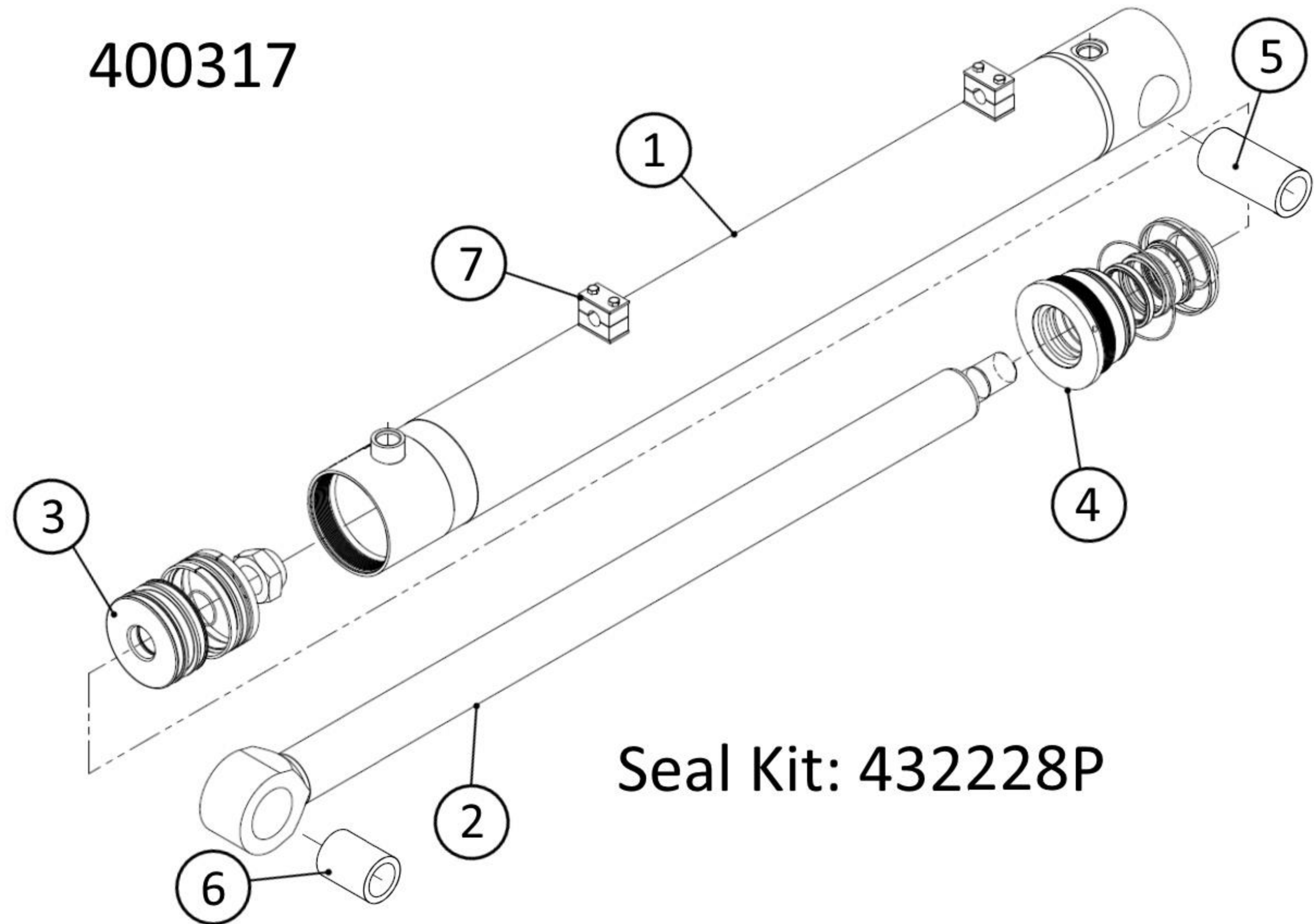
Item	Part Number	Description
1	202061P	Barrel: for 5" x 16" Cylinder
2	301703P	Rod: 2"
3	400782P	Piston: Ass'y 5" x 1-1/4"
4	500929P	Head: Ass'y 5" x 2"
5	400299	Bushing: 1-1/4" x 2" Fiber
6	400300	Bushing: 1-1/4" x 2-1/4" Fiber
Seal Kit	432234P	Kit: Seal for 400313

# Lift Cylinder Pins



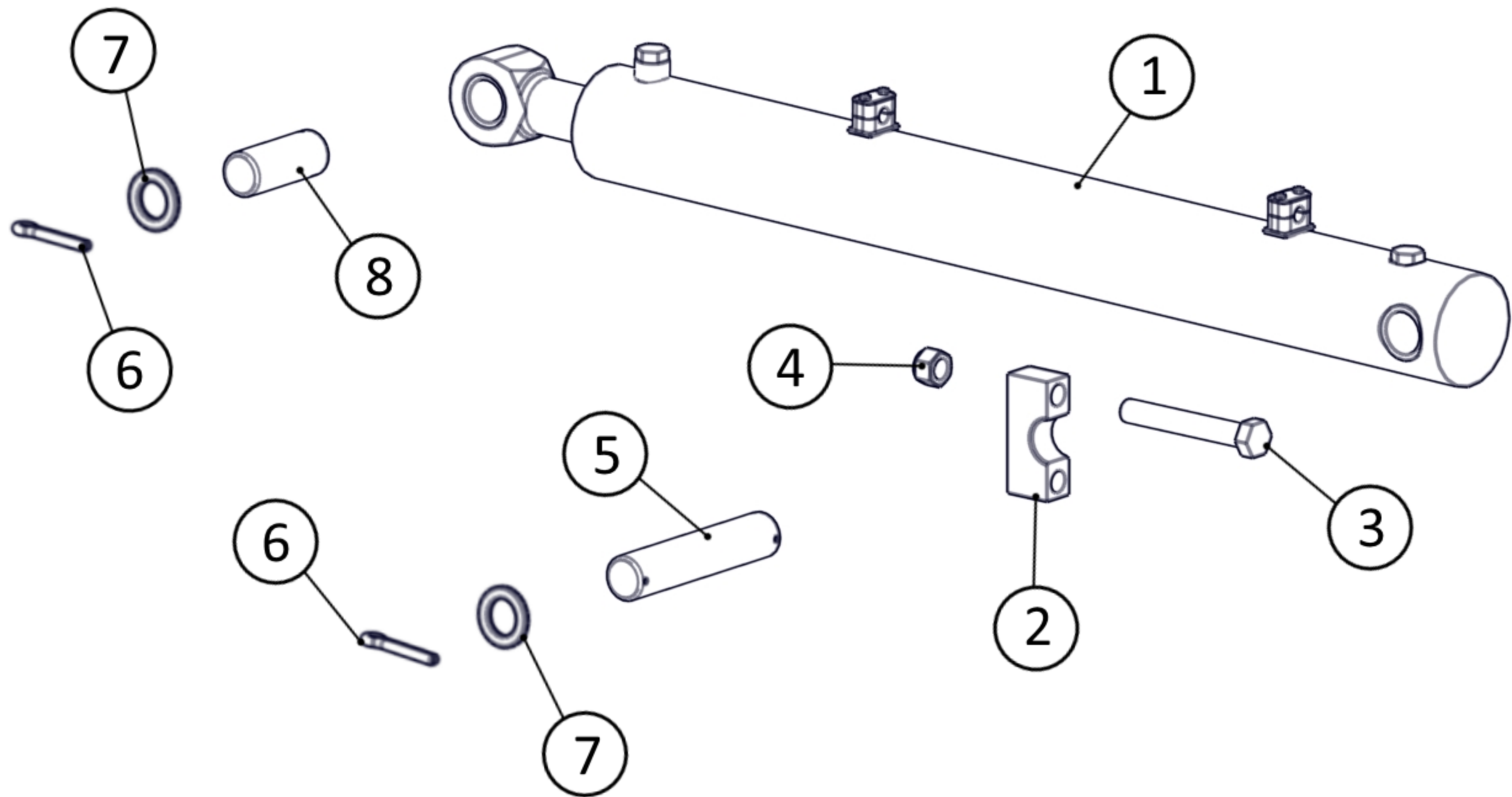
Item	Part Number	Description
1	400313	Cylinder: 5" x 16"
2	601126	Pin: 1-1/4" x 5" for Fiber Bushing
3	AFW-00016	Washer: 1-1/2"
4	AFP-00010	Pin: 1/4" x 2" Cotter

# Pushoff Cylinder - 400317



Item	Part Number	Description
1	202014P	Barrel: 4-1/2" x 40"
2	301665P	Rod: 2-1/2"
3	400781P	Piston: Ass'y 4-1/2" x 1-1/2"
4	500927P	Head: Ass'y 4-1/2" x 2-1/2"
5	400308	Bushing: 2" x 4-1/2" Fiber
6	400310	Bushing: 2" x 2-1/2" Fiber
7	AHL-00001	Clamp Ass'y: 3/4" Single Tube
Tube Ass'y		Tube Ass'y: 36" Jump Line, 3/4" FJIC
Seal Kit	432228P	Kit: Seal for 400317

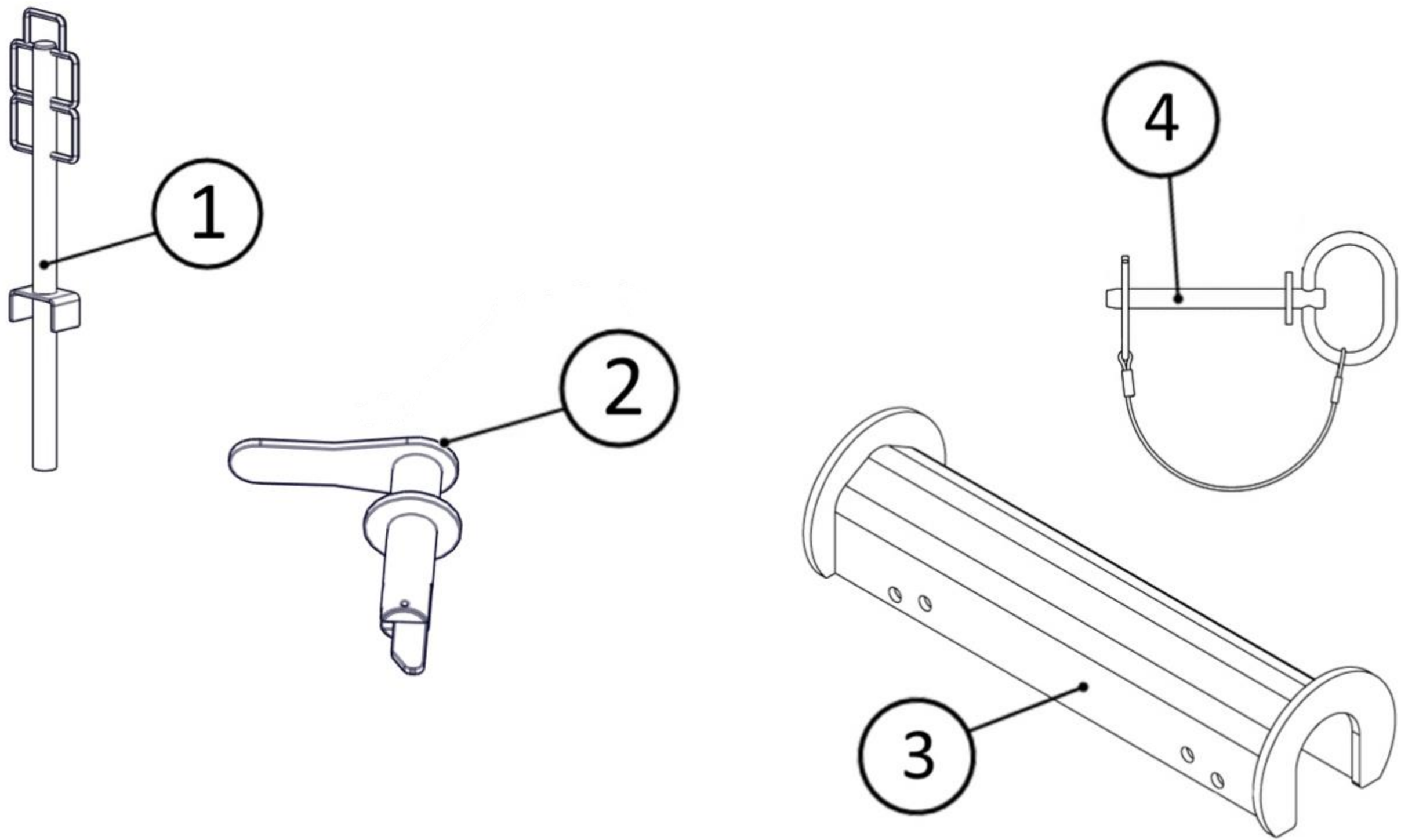
# Pushoff Cylinder Pins



Item	Part Number	Description
1	400317	Cylinder: 4-1/2" x 40"
2	503287	Block: 2" OD Trunnion Mount
3	AFB-00001	HHCS: 1"-8 x 6-1/2"
4	AFN-00037	Nut: 1"-8 Top Lock
5	503404	Pin: 2" x 9-3/4" for Fiber Bushing
6	AFP-00001	Pin: 1/4" x 3" Cotter
7	AFW-00014	Washer: 2"
8	503354	Pin: 2" x 5" for Fiber Bushing



# Transport Locks & Hose Holder

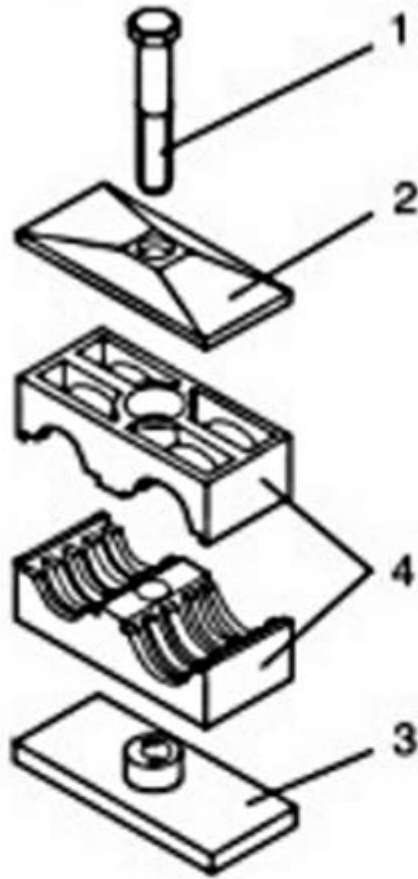


Item	Part Number	Description
1	600912	Holder: Hose Keeper
2	600121	Lock: Apron Pin
3	601274	Lock: Transport
4	400359	Pin: Clevis w/ Lanyard

# Hydraulic Hose Clamps



**Each Hose Clamp is sold as a complete assembly.**



Twin Clamp with  
Weld Plate

Assembly number:  
**AHL-00003**

Parts Legend	
1	Hex Head Bolt
2	Top Plate
3	Weld Plate
4	Clamp Pair

# Manifold: A125174 (950XL2 - 175XL2)



## Setting the Apron and Pushoff Valve

The manifold block containing the Pushoff sequence valve cartridge and Apron counterbalance valve cartridge is used to control two hydraulic circuits with one hydraulic remote. When the tractor hydraulic remote is activated, oil flows first to the Apron cylinders until they are fully extended. Once the cylinders are fully extended, the Apron circuits' hydraulic pressure begins to increase. Once the pressure threshold is surpassed (which is adjustable, see adjustment section), the sequence valve diverts the oil flow to the Pushoff's hydraulic circuit. Once the Pushoff is completely extended the operator then reverses the tractors hydraulic remote. The counterbalance valve will hold the Apron open until the Pushoff is fully retracted. The Apron counterbalance valve then opens and allows the Apron to close.

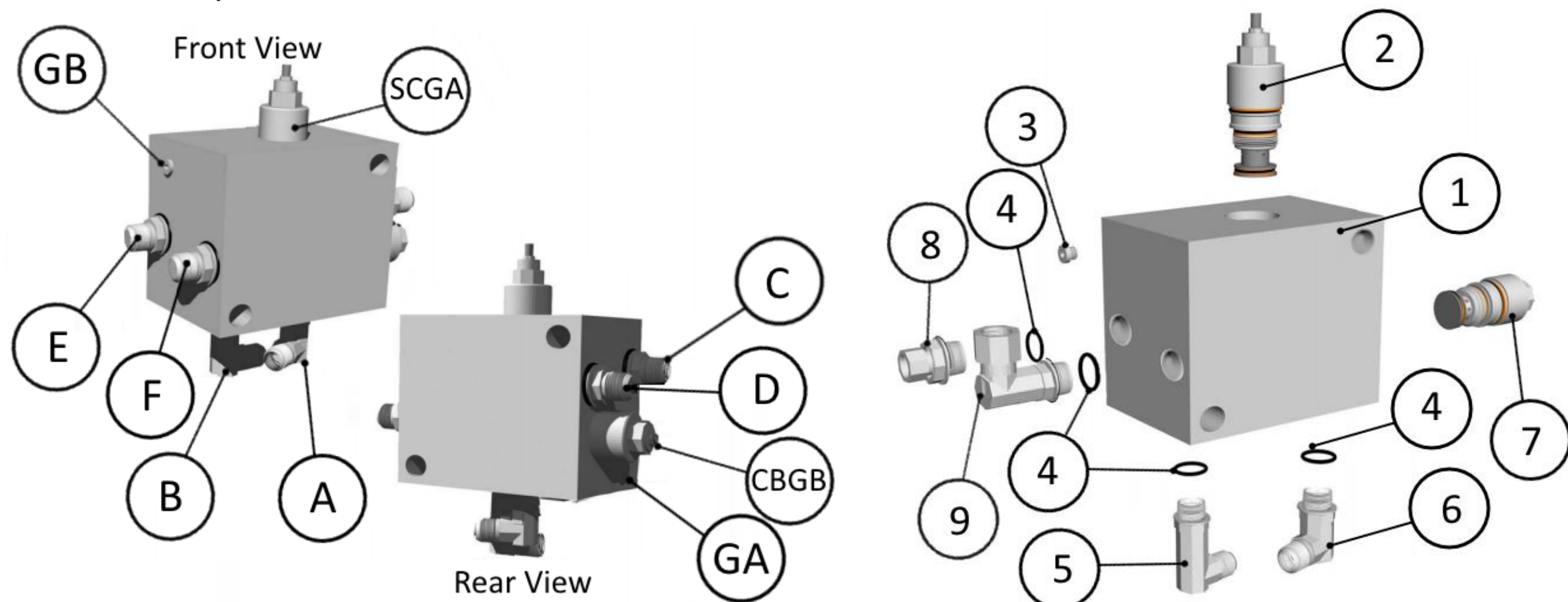
### Setting the Valves:

#### Step 1: Pushoff Sequence Valve (On TOP of valve, port stamped 'SCGA')

Loosen the lock nut (9/16") on the sequence valve cartridge. Turn the setscrew (4mm) clockwise until the front Apron rises before the Pushoff begins to advance. With the scraper empty, turn the adjustment screw an additional 1/4 turn clockwise and tighten jam nut.

#### Step 2: Counterbalance Valve (On BACK SIDE of valve, port stamped 'CBGB')

Loosen the lock nut (9/16") on the counterbalance valve cartridge. Turn the setscrew (4mm) counter-clockwise until the Apron holds in a raised position while rear gate is being retracted. Turn adjustment screw an additional 1/4 turn, tighten jam nut. DO NOT tighten adjusting screw more than necessary.



The lettering for the port locations are stamped on the block




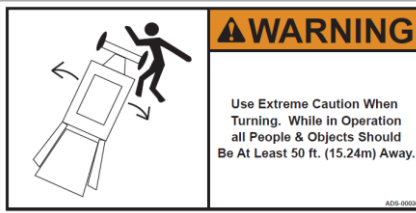
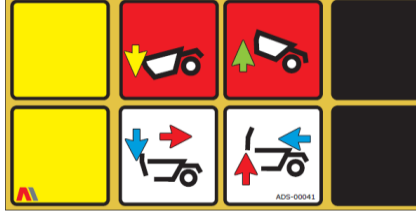




Item	Description
A	Supply Line
B	Pushoff Cylinder Rod End to Right Side Apron Cylinder Rod End - Supply
C	Pushoff Cylinder, Base End
D	Apron Cylinder, Right Side, Base End
E	Apron Cylinder, Left Side, Rod End
F	Apron Cylinder, Left Side, Base End
CBGB	Counterbalance Valve, adjustment
SCGA	Sequence Valve, adjustment
GA	Pressure Test Port
GB	Pressure Test Port









Item	Part Number	Description
1	A125174	Valve: Manifold Block IV Body
2	A125165-02	Valve: Sequence Cartridge for Ver. III & IV
2b	A125162-02KIT	Seal Kit: A125162-02 Valve Cartridge
3	AHA-00046	06 ORB Plug
4	AHS-00153	O-Ring: -12 MORB Fitting
5	AHA-00047	Adapter: 90 Deg. XL 3/4" MJIC x 1-1/16" MORB
6	AHA-00044	Adapter: 90 Deg. 3/4" MJIC x 1-1/16" MORB
7	A125162-01	Valve: Counterbalance Cartridge for Ver. III & IV
7b	A125162-01KIT	Seal Kit: A125162-01 Valve Cartridge
8	AHA-00043	Adapter: Str. Swivel 1-1/16" MORB x 1/2" FP
9	AHA-00048	Adapter: 90 Deg. Swivel 1-1/16" MORB x 1/2" FP



## Safety Decals

## Model Decals

750464	Decal: High Pressure	
ADS-00011	Decal: Pinch Point	
ADS-00019	Decal: Grease Daily	
ADS-00030	Decal: Turning	
ADS-00041	Decal: Controls	
ADS-00046	Decal: Do Lifting	
ADS-00047	Decal: Tran. Lock	
ADS-00069	Decal: Am. Built	
ADS-00078	Decal: Laser Mast	

ADS-00061	Decal: 25.75 x 5" 
ADS-00062	Decal: 36 x 7" 
ADS-00064	Decal: AI 5.5 x 3.5" 
ADS-00065	Decal: AI 11.5 x 7" 
ADS-00066	Decal: Gauge 
ADS-00077	Decal: AI 8.25 x 5" 
ADS-00079	Decal: Badge 
ADS-00083	Decal: Greaseless 



Your Ashland scraper is a durable piece of equipment and with proper care will yield many years of trouble-free operation. However, the life of your scraper can be severely shortened by poor maintenance. You must follow consistent maintenance practices and use superior quality grease and hydraulic oil (compatible with the power unit's hydraulic system) to insure the longest, most productive use from your scraper.

Your scraper should be greased at all points where grease fittings are provided. REMOVE TRANSPORT LOCKS prior to operation. Next, extend and retract all cylinders several times to force out any air from the hydraulic cylinders and lines. Check the oil levels in the tractor hydraulic system and add to maintain the proper level. Care should be used when adding oil or when disconnecting any oil line to keep all dirt out of the oil as dirt is a major factor in the failure of hydraulic components.

When your scraper is placed into operation, the operator will have to “feel out” the amount of depth of cut to obtain maximum loading efficiency. This is usually accomplished by taking a lesser and more uniform cut; however, some soil conditions such as loose sand may require a “pumping action” obtained by taking successive deep cuts and lifting out of cut as the tractor begins to lose power or traction.

After 8 hours of operation, all bolts should be checked and tightened if necessary and all grease fittings lubricated. Check tire pressures daily. Also, check pins and cutting edges for signs of wear.

After 50 hours work, all bolts should be rechecked and tightened if necessary. Check wheel bearings and adjust if necessary.

Check wheel lug nut torque.

- After first 2 hours of operation.
- Recheck daily for the next 2 weeks.
- Tighten wheel lug nuts in a star pattern.
- Torque wheel lug nut (see Torque Specifications).

After 300 hours work, clean and repack wheel bearings and replace, if necessary, cutting edges, worn pins, etc.



## **Failure to replace worn cutting edges may result in unnecessary wear to the machines sides and floor.**

Before starting a job, make sure Diggers Hot Line has been contacted and all underground utilities have been properly located (electric, phone, and pipelines). Have a clear understanding of all local, OSHA, and MSHA rules that apply to the job. Beware of your environment and keep others a safe distance from the machine while familiarizing yourself with the machine's controls. The scraper requires a power source with TWO 4-way (double acting) hydraulic control valves.



## **Scraper damage can occur if:**

1. The scraper is running over the haul road with the bowl fully raised. On scrapers that have factory installed nitrogen over hydraulic accumulators, the lift cylinders should be lowered 3 to 4 inches to allow the cushioned ride to work properly.
2. The heaped payload repeatedly exceeds the design ISO 6485 Earth-moving machinery-Tractor-scraper volumetric rating.
3. The fully loaded scraper exceeds the 10 mph on smooth haul roads and dramatically less on uneven haul roads.
4. The scraper is being top-loaded without the bowl being fully lowered to the ground prior to placing the material into the bowl.
5. The scraper is being used to level haul roads with the apron closed, not allowing material to enter the bowl.
6. The scraper is being used to load rock.
7. The scraper is being aggressively push loaded with a dozer.
8. A power unit that is above the horsepower rating is pulling the scraper.

**These types of damage are not covered under warranty. Warranty only covers defects in material or workmanship, not abuse because of improper use.**

## **Know the job:**

1. Know the weight of the material to be moved.
2. Lay the job out to take advantage of grades when loading.
3. Keep hauls as short as possible.
4. Keep haul roads smooth.
5. If more than one unit is in the job, make sure the haul roads are one-way and the operators understand the direction.
6. Brief the operators as to what the job consists of so there are no misunderstandings.
7. Know the moisture content of the material to be moved.
8. Will water be needed for proper compaction? Will drainage be a problem?
9. How many units will be needed to efficiently complete the job?



## **Transport the scraper safely:**

1. Always empty the scraper.
2. Clean all material from the exterior of the scraper.
3. Make sure all road rules are followed.
4. Use proper lighting and flagging.
5. Lower scraper bowl to provide just enough clearance over obstacles.
6. Transport at a safe speed to avoid roll-over.
7. Reduce speed on curves and when going downhill.

## **Apron Opening Guidelines:**

You will need to determine the ideal opening for your soil condition. It is important to have the apron opened prior to loading. To receive the highest production possible, it is important to know the typical characteristics of the material that you will be loading. In heavier soils like clay or gumbo, the soil will slab up and remain together after being cut by the blades. In lighter soils, like sand or dry/loose top soil, the material will pile up or push after being cut by the blade. Use the suggestions listed below:

### **Topsoil with heavy vegetation (12" to 24" opening):**

- When cutting undisturbed soils, you will need to open the apron high enough to allow debris to easily enter the scraper bowl. If the apron is opened too high, the rolling up sod will fall out past the apron and hinder the incoming material. If the apron is not adjusted quick enough, the material will bunch or push ahead of the machine. If this happens, you should close the apron and pull out the cut quickly. If you wait too long, you may develop too large a pile to clear the scraper while rising out of the cut. This can cause the power unit to lose traction and possibly cause you to get stuck.

### **Clay or loamy material: (6" to 12" opening):**

- To cut clay or loam soils, lower the apron to approximately 6" to 12" between the blades and the bottom of the apron. When you first lower the bowl, you'll see the material being cut by the blades and entering the bowl. As you continue to move forward, small clumps will fall past the apron and develop a small pile ahead of the apron. By limiting this apron opening, the small pile will "blade off" any loose material ahead of the machine. Adjustments should be made if large objects such as rocks or deep gouges are within the cut.

### **Sand or loose topsoil (15" to 30" topsoil):**

- Loading sand or loose top soil is the most difficult type of soil to load. In combination with the larger apron opening, you'll want to operate at a faster ground speed. By traveling faster and lowering the blade deeper than normal, it forces the material into the scraper bowl.

We encourage you to experiment with different apron openings to determine the best condition for your jobsite. The Apron is designed to capture material inside of the scraper bowl and should not be used as a leveling blade. Obstructions like large rocks or dense piles may cause the apron to bend inward after prolonged exposure to these conditions.



## Safety Signal Words:

Please note the use of signal words such as DANGER, WARNING, and CAUTION paired with the safety messages on your scraper. The appropriate signal word for each safety message has been selected using the following guidelines:

- **DANGER:** Indicates an imminently hazardous situation that, if not avoided, will result in death or significant injury. This signal word is limited to the most extreme situations – typically for machine components which, for functional purposes, cannot be guarded.
- **WARNING:** Indicates a potentially hazardous situation that, if not avoided, could result in death or significant injury. For example, hazards that are exposed when guards are removed. This signal word may also be used to alert against unsafe practices.
- **CAUTION:** Indicates a potentially hazardous situation that, if not avoided, may result in minor or moderate injury. This signal word may also be used to alert against unsafe practices.

Operator safety is a main concern in designing and developing equipment. Designers and manufacturers include as many safety features as possible. However, every year many accidents occur on job sites which could have been avoided by extra thought and a more careful approach to handling equipment. The operator can avoid many accidents by observing the precautions in this section. To avoid personal injury, study the following precautions and insist those working with, or for you, follow them.

Replace any CAUTION, WARNING, DANGER, or instruction safety decal that is not readable or missing.

Do not attempt to operate this equipment under the influence of drugs or alcohol.

Review the safety instructions in the operator's manual with all users annually.

**Operators should be responsible adults who are familiar with machinery and trained in the equipment's operations. Do not allow persons to operate or assemble this unit until they have read this manual and the owner's manual and have developed a thorough understanding of the safety precautions and scraper operation.**



# Tire Inflation & Torque Chart



Tire Inflation: PSI @ 6mph				
Model	Front Tire Size	Max PSI @ 6mph	Rear Tire Size	Max PSI @ 6mph
25CS			11L-15 8Ply	35
2500SS			11L-15 8Ply	35
50CS			16.5L-16.1 10Ply	36
950XL2	16.5L-16.1 10Ply	36	16.9-24 8Ply	35
140XL2	550/45-22.5 16Ply	41	18.4-26 18ply	46
140TS2			20.5-25 16ply	41
140XL2-LGP	550/45-22.5 16Ply	41	23.5-25 20Ply	44
140TS2-LGP			23.5-25 20Ply	44
1410E (2-Tire)			20.5-25 16ply	41
1410E (4-Tire)			17.5-25 16ply	44
155XL2	20.5-25 16Ply	41	29.5-25 28Ply	62
155TS2			29.5-25 28Ply	62
175XL2	20.5-25 16Ply	41	29.5-25 28Ply	62
175XL2 (Big Tire)	23.5-25 20Ply	44	29.5-25 28Ply	62
2012CS			20.5-25 20Ply	65
2014CS			20.5-25 20Ply	65
215TS2			29.5-25 28Ply	62
220TS4			20.5-25 20Ply	65

**On new machines, wheel hardware must be retorqued after the first 2 hours of operation.** Check tires daily to ensure correct inflation levels with an accurate gauge having 6.9 kPa [(0.07 bar) 1 PSI] gradations.

Also check for:

- Tire Damage
- Loose or missing wheel studs, nuts, or caps
- Uneven wear
- Damaged Rims

Torque Foot/Pounds	Wheel Bolt/Stud Size
80 – 90	1/2"-20
85 – 100	5/8"-18
450 – 500	3/4"-16
450 – 500	M22 x 1.5
750 – 800	1-1/8"-16



**The task of servicing tires and wheels can be extremely dangerous and should be performed by trained personnel only, using the correct tools and following best-practice. Do not attempt to mount, demount, or inflate a tire if you do not have the proper equipment and experience to perform the job. Call a qualified repair service to inspect the assembly and make necessary repairs. Failure to heed warnings could lead to serious injury or death.**

Visually inspect tires and wheels daily. Carefully inspect any rim and tire assembly that has been run underinflated or flat before reinflating the tire to make sure there is no damage to either the rim or tire.

- ALWAYS wear personal protection equipment such as gloves, footwear, eye protection, hearing protection, and head gear when servicing tire and wheel components.
- DO NOT operate with damaged rims, tire cuts or bubbles, missing lug bolts, or nuts or damaged rims.
- ALWAYS maintain the correct tire pressure. NEVER exceed recommended tire inflation pressure.
- INSPECT any rim and tire assembly that has been run flat or severely underinflated before reinflating the tire. Damage to the rim and tire may have developed.
- NEVER reinflate a tire that has lost air pressure or has been run flat without determining and correcting the problem.
- NEVER try to repair wheel, rim, or tire components parts. Parts that are cracked, worn, pitted with corrosion, or damaged must be discarded and replaced with good parts.
- ALWAYS use approved tire and rim combinations for the model scraper that you have and verify that part numbers of components are correctly matched for the assembly.
- ALWAYS exhaust all air from the tire prior to demounting.
- ALWAYS place wheel and tire assemblies in restraining devices (safety cage) when inflating tires. Use a clip-on chuck and long extension hose to allow you to stand to the side of the tire and not in front of it.
- NEVER weld or cut on an inflated tire assembly. Welding heat can cause increased pressure which could result in tire explosion.
- ALWAYS use proper lifting techniques and mechanized lifting aids to move heavy components and assemblies.
- NEVER leave a tire, wheel, or assembly unsecured in a vertical position.
- ALWAYS take care when moving tires and wheels, making sure that other people in the area are not endangered.



## Maintenance Schedule

- Daily visual inspection
- Thorough inspection for leaks or damage every 300 hours of operation
- 5 pumps of grease every 300 hours of operation
- Thorough cleaning, inspection, and repacking every 1,500 hours of operation

The bearings within the hubs of the scraper are fully greased with a Mobilith SHC™ 460 grease at the factory. Ashland uses a special bearing grease packer to ensure the bearing is effectively and evenly lubricated. Generous amounts of additional grease are added on both sides of the bearing prior to install within the hub.

### Mobilith SHC™ 460

Mobilith SHC™ Series high-performance, lithium complex synthetic greases are developed to protect equipment in severe applications operating at extreme temperatures. Their excellent adhesion, structural stability, and resistance to water conditions found in wet environments make them suitable for use in a wide variety of machinery and components. This grease exhibits excellent wear, rust, and corrosion protection, to help with mechanical efficiency, enhance bearing and equipment life, and extended grease life. Resulting in reduced maintenance costs, energy consumption, starting torque, and provided protection at high and low temperatures.

### Reinstalling Hubs

Before installing or re-installing the hub, follow this procedure to ensure spindle machined surfaces are clean and undamaged.

- Remove old lubricant and thoroughly clean spindle.
- Inspect machined spindle seal surface for nicks, scratches, burrs or marks. If needed, use crocus cloth or emery cloth to repair damaged areas.
- Clean spindle threads thoroughly with a wire brush to avoid false bearing adjustments and to avoid introduction of contaminants into the hub.
- Thoroughly clean spindle machined surfaces of rust, dirt, grease, or other contaminants that could damage the hub seal and cause it to leak.

### Caution

Too much grease volume (over-greasing) in a bearing cavity will cause the rotating bearing elements to begin churning the grease, pushing it out of the way, resulting an increase of bearing component temperatures. This leads to rapid oxidation (chemical degradation) of the grease as well as an accelerated rate of oil bleed, which is a separation of the oil from the thickener. The heat that has been generated over time along with the oil bleed eventually will cook the grease thickener into a hard, crusty build-up that can impair proper lubrication and even block new grease from reaching the core of the bearing. This can result in accelerated wear of the rolling elements and then component failure.



With proper care and maintenance, your Ashland Scraper will give many years of reliable service. When a situation arises where the earthmover performance is not satisfactory, this section will give some pointers on finding and correcting the problem.

## **Grease zerk will not take grease:**

1. Grease zerk plugged.
  - Remove and replace grease zerk.
2. Pin is frozen.
  - Remove, clean, and inspect pin.
  - Replace pin if necessary.
3. Bushing grease passage is not aligned with grease zerk.
  - Remove, clean, inspect, and realign bushing.
  - Replace bushing if necessary and realign.

## **Rollers do not roll:**

1. The rollers need lubrication.
  - Check zerk hole and grease, if applicable.
  - Remove pin, clean, inspect, and replace if necessary.
2. The roller bushing is worn out.
  - Remove roller assembly and replace bushings.

## **Cylinder will not hold in present position, i.e. the cylinder creeps:**

1. Seals leaking internally.
  - Remove and replace seal kit.

## **Machine cuts unevenly:**

1. Cutting edges worn unevenly.
  - Replace cutting edges.
2. Improperly inflated tires.
  - Check air pressure in tires.

# Warranty Statement



## The Purpose of Warranty

Ashland Industries, Inc. warrants each new product to be free from defects in material and workmanship. This warranty is applicable only for the normal service life expectancy of the product or components, not to exceed one year from the date of delivery of the new Ashland Industries product to the original purchaser, or the date the product is first put into service via a rental agreement or other means, whichever occurs first.

## Dealers Responsibilities

The following responsibilities are to be performed when the dealer delivers a product to the purchaser or otherwise places it into warranty service:

- Complete the Warranty Registration Form and forward it to Ashland Industries within 30 days of the sale, rental or other use of the product. Warranty reimbursement is contingent upon product registration.
- Review the warranty statement and operator's manual with purchaser to assure understanding of purchaser's responsibilities as related to warranty, service, and the proper and safe operation of the product. Purchasers/Renters should be advised to have failed parts repaired or replaced immediately upon failure, as continued use will result in additional damage, excessive wear, and may result in personal injury.
- Contact Ashland Industries prior to beginning repair or replacement of failed parts to make certain that the cost of repairs are consistent with the value of the product being sold.
- Warranty requests for units in dealer's inventory may be submitted to Ashland Industries when defects are noted in products prior to the retail sale or rental of that unit.
- Provide warranty and service repairs as directed by Ashland Industries' "Service Repairs Bulletins" or other instructions.
- All warranty work must be completed within 30 days of failure. Notify Ashland Industries' warranty department if repairs will require more than 30 days after failure for an extension. No claim will be accepted for warranties that exceed this 30 day period.
- No warranty will be allowed on units delivered to the retail customer prior to the full payment of that unit to the manufacturer by the dealer.
- If diagnostic time is required, contact Ashland Industries prior to beginning the warranty repair for approval. Ashland Industries must approve travel time reimbursement prior to beginning the warranty repair.

## Ashland Industries Responsibilities

- Reimbursement for parts used in warranty repair will be credited only when the parts are purchased from Ashland Industries Inc. Parts will be credited at dealer's net cost. No warranty will be allowed on parts that are past due.
- Dealer should use parts from their parts inventory first. In the event that parts must be shipped from Ashland Industries Inc., freight will be paid by Ashland Industries and will be shipped by the most economical means to arrive in the shortest possible time. Air, Next Day Air, Priority and other special shipment methods requested by the dealer will be at the customer's expense.

# Warranty Statement



## Ashland Industries Responsibilities (Cont'd)

- Warranty Labor Reimbursement for labor expense to the dealer is made by payment of the established hourly shop rate.
- Repair times will be reviewed by Ashland Industries and may be adjusted to average repair time required by other dealers to make similar repairs. Labor is not paid on the warranty associated with repair parts purchased by the retail customer that are used on a product that is not currently in warranty time frame.
- Reimbursements for repairs made by an outside source (not dealer personnel) will be made for those services deemed necessary for the resolution of the warranty by Ashland Industries' warranty department. Outside repair invoices must have prior approval from Ashland Industries' service department and must be attached to the warranty claim after approval.

## Other Warranty Provisions

The following guidelines are to be followed when performing warranty repairs:

- In all cases, the most economical repair should be performed unless otherwise directed. Credit will not be allowed for assemblies or groups if it is practical to make the repair with individual parts. In some cases, the assembly or group price may be less than the total of the parts and labor required to complete the repair. In those cases, an assembly or group may be used.
- Only those parts provided by Ashland Industries are covered under Warranty. The use of parts from other sources will not be eligible for warranty consideration.
- All parts removed during warranty repair should be held for a period of 90 days after the warranty claim has been submitted to Ashland Industries. These parts can be discarded if disposition or return request has not been made during this period. Parts that are requested must be returned within 30 days of claim disposition. These parts will be discarded after the 30 day period.
- Ashland Industries reserves the right to deny or reverse any and all warranty claims for parts, labor, or miscellaneous charges when errors are found, warranty provisions are abused, or fraudulent claims are submitted.

## Warranty Reimbursement is Not Possible

- When failure falls under the "limitations" as identified in Ashland's Limited Warranty Statement.
- When Ashland Industries has requested the return of certain parts, assemblies, or information and has not received the material within 30 days of date posted on return request.
- On claims due to damage or shortage that are obviously the responsibility of dealer or the delivering carrier.
- On the entire claim when warranty policy and provisions are not followed.

**All dealers will warranty their technician's work to the purchaser and will indemnify Ashland Industries, Inc. from such claims.**

# Warranty Statement



## Service Bulletins

Service Bulletins will be issued when necessary to alert dealers of special repairs. Each bulletin will give detailed directions and procedures to complete the service.

## Procedures For Completion Of Warranty Form

Complete the warranty form available at [www.ashlandind.com](http://www.ashlandind.com) or in your dealer's yellow Ashland Sales Book. Return this form to Ashland Industries within 30 days of failure.

## Use of Photographs

Pictures of the failure are recommended but not required. Photos should be attached to dealer's claim when their inclusion will help identify the condition of the part being repaired or replaced, and thus assisting in approval of the claim. In many cases, the use of photos may eliminate the need to return parts for evaluation. Photos will not be returned unless specifically requested. Digital photos are preferred and can be email to [warranty@ashlandind.com](mailto:warranty@ashlandind.com).

## Delayed Warranty Repairs

Warranty repairs should be scheduled and performed as soon as possible after notifying your dealer and Ashland Industries. There may be circumstances that require the use of the product for a short period of time by the retail customer, or the availability of repair parts may require the work to extend past a 30 day period. In these cases, the dealer must notify Ashland Industries in writing of the extenuating circumstance and advise that the continued use of the product will not enlarge the warranty claim. These claims will then be processed as if the product is still within the warranty period.

## Denied Claim

Dealers will be notified of a denied claim and notification will state the reason for denial. A dealer has the right to appeal this claim and must do so within 30 days of notification of denial. If there has been no appeal within the 30 day period, the claim will be considered closed.

## Limited Warranty Statement

Ashland Industries, Inc. warrants each new product to be free from defects in material and workmanship. This warranty is applicable only for the normal service life expectancy of the product or components, not to exceed one year from the date of delivery of the new Ashland Industries, Inc. product to the original purchaser, or the date the product is first put into service via a rental agreement or other means, whichever occurs first.

The major components of swivel hitches used on scrapers are warranted for three consecutive months from the date of delivery of the new Ashland Industries, Inc. product to the purchaser, or the date the product is first put into service via a rental agreement or other means, whichever occurs first, except those components described below.

Genuine Ashland Industries, Inc. replacement parts and components will be warranted for 30 days from date of purchase, or the remainder of the original equipment warranty period, whichever is longer.

Under no circumstances will it cover any merchandise or components thereof, which in the opinion of the company, has been subjected to misuse, unauthorized modification, alterations, an accident, or if repairs have been made with parts other than those obtained through Ashland Industries, Inc.

# Warranty Statement



## Limited Warranty Statement (Cont'd)

Ashland Industries, Inc. in no way warrants tires since their respective manufacturer warrants these items separately. Please call Ashland Industries, Inc. to receive phone numbers of tire suppliers. Ashland Industries, Inc. in no way warrants wearable items such as cutting edges, front dolly wheel balls, sockets, rollers, bushings, yoke hitch pins, hitch bushings, etc.

Our obligation under this warranty shall be limited to repairing or replacing, free of charge to the original purchaser, any part that, in our judgement, shall show evidence of such defect, provided further that such part shall be returned within 30 days from the date of failure to Ashland Industries, Inc. routed through the dealer and distributor from whom the purchase was made, transportation charges prepaid. Upon warranty approval, proper credits will be reimbursed for transportation.

This warranty shall not be interpreted to render Ashland Industries, Inc. liable for injury or damages of any kind or nature to person or property. This warranty does not extend to the loss revenue, extra labor cost associated with downtime, substitute machinery, rental, or for any other reason.

Except as set forth above, Ashland Industries, Inc. shall have no obligation or liability of any kind on account of any of its equipment and shall not be liable for special or consequential damages. Ashland Industries, Inc. makes no other warranty, expressed or implied, and, specifically, Ashland Industries, Inc. disclaims any implied warrant or merchantability or fitness for a particular purpose. Some states or provinces do not permit limitations or exclusions of implied warranties or incidental or consequential damages, so the limitations or exclusion in this warranty may not apply.

This warranty is subject to any existing conditions of supply which may directly affect our ability to obtain materials or manufacture replacement parts.

Ashland Industries, Inc. reserves the right to make improvements in design or changes in specifications at any time, without incurring any obligation to owners of units previously sold. No one is authorized to alter, modify, or enlarge this warranty nor the exclusion, limitations, and reservations.

## Owner Registration

Be sure to complete the Owner Registration form that you received with your machine and return it to Ashland Industries within 30 days of the sale, rental, or other use of your product. Warranty reimbursement is contingent upon product registration. If your product is not registered, it is NOT covered under warranty.