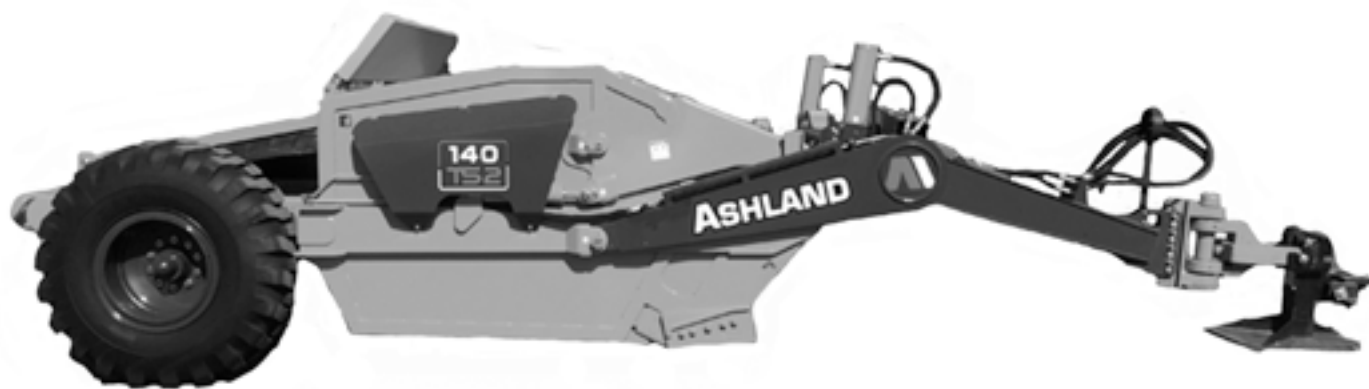


ASHLAND INDUSTRIES

Parts Manual

9-16

140TS2-001 LGP



1115 Rail Drive
P.O. Box 717
Ashland, WI U.S.A.
Toll Free: (877) 634-4622
Business: (715) 682-4622
Fax: (715) 682-9717

Ashland Industries

Crafting Quality since 1953!

www.ashlandind.com
www.scraperdrawbar.com

Table of Contents

Categorized Listing

| | |
|---------------------------------------|----------|
| ASHLAND SCRAPERS | 1 |
| Introduction | 1 |
| Operation and Maintenance | 2 |
| Safety Guidelines | 5 |
| Assembly - Main - WG-140T-LGP-001 | 6 |
| Swivel Hitch (#A125223) | 7 |
| Apron - 703011 | 9 |
| Bowl & Frame -140 | 10 |
| Front Section - 704013 | 11 |
| Push-Off - 702014-702016-702015-140 | 12 |
| Rear Wheel (140) | 13 |
| Apron Cylinder - A125050 | 14 |
| Lift Cylinder - A123326 | 15 |
| Trunion Blocks | 16 |
| Push-Off Cylinder- 400045 | 17 |
| Hydraulic Schematic | 18 |
| Hydraulic Accumulator | 19 |
| Hydraulic Manifold - A125174 | 20 |
| Hydraulic Valve Ports | 21 |
| Hydraulic Valve Seals | 22 |
| Hydraulic Plumbing Clamps | 23 |
| Service: Grease Locations TS | 24 |
| Service: Scraper Specifications 140TS | 26 |
| Tire Inflation | 27 |
| Maintenance Check List | 28 |
| Service: Tire Service | 29 |
| Troubleshooting | 30 |
| Warranty Statement | 31 |

Table of Contents

Alphabetized Listing

| | |
|---------------------------------------|------|
| A | |
| Apron - 703011 | 9 |
| Apron Cylinder - A125050 | 14 |
| ASHLAND SCRAPERS | 1-31 |
| Assembly - Main - WG-140T-LGP-001 | 6 |
| B | |
| Bowl & Frame -140 | 10 |
| F | |
| Front Section - 704013 | 11 |
| H | |
| Hydraulic Accumulator | 19 |
| Hydraulic Manifold - A125174 | 20 |
| Hydraulic Plumbing Clamps | 23 |
| Hydraulic Schematic | 18 |
| Hydraulic Valve Ports | 21 |
| Hydraulic Valve Seals | 22 |
| I | |
| Introduction | 1 |
| L | |
| Lift Cylinder - A123326 | 15 |
| M | |
| Maintenance Check List | 28 |
| O | |
| Operation and Maintenance | 2 |
| P | |
| Push-Off - 702014-702016-702015-140 | 12 |
| Push-Off Cylinder- 400045 | 17 |
| R | |
| Rear Wheel (140) | 13 |
| S | |
| Safety Guidelines | 5 |
| Service: Grease Locations TS | 24 |
| Service: Scraper Specifications 140TS | 26 |
| Service: Tire Service | 29 |
| Swivel Hitch (#A125223) | 7 |
| T | |
| Tire Inflation | 27 |
| Troubleshooting | 30 |
| Trunion Blocks | 16 |
| W | |
| Warranty Statement | 31 |

ASHLAND SCRAPERS

Introduction

Thank you for choosing an Ashland scraper for your earthmoving needs. Years of research, testing and successful application have been spent to ensure quality and maximum performance for our customers.

QUALITY POLICY

It is our mission to exceed our customers' expectations in quality, delivery, and cost through continuous improvement and customer interaction.

Please read and understand this manual before attempting to attach or operate this scraper. This manual should always remain with the machine. Be sure and fill out and send in the owners registration form at the beginning of this manual, or you may fill out the form on-line by going to ashlandind.com and click on "Register your Machine" in the parts section drop-down. If you have questions, please feel free to call or email us. You can visit us on-line at www.ashlandind.com.

Ashland Industries hours of operation are 8:00 a.m. to 5:00 p.m. CST. We can be reached toll free at: 877-634-4622.

SCRAPER ID NUMBER

The serial number plate for the scraper is located on the right rear area of the scraper. The letter and numbers stamped identify the serial number, model number and capacity of the scraper. Please record this serial number for use in ordering parts, warranty issues and to track your equipment if it is ever stolen.

References to serial number breaks on parts are located in the manual with a reference sequence of XXXXX-XXXXX. The beginning number records the serial number start of the use of that part. The ending number is the final serial number use of the part within this machine.



IMPORTANT

Parts must be ordered through your local authorized ASHLAND dealer. Be sure to state MODEL and SERIAL NUMBER of your machine. Ashland Industries weldable replacement parts are also available to rebuild, modify or update your scraper to current factory specifications.

ASHLAND SCRAPERS**Operation and Maintenance**

Your Ashland scraper is a durable piece of equipment and with proper care will yield many years of trouble free operation. However, the life of your scraper can be severely shortened by poor maintenance. You must follow consistent maintenance practices and use good quality grease and hydraulic oil (compatible with the power unit's hydraulic system) to insure the longer, most productive use from your scraper.

Your scraper should be greased at all points where grease fittings are provided. **REMOVE TRANSPORT LOCKS** prior to operation. Next, extend and retract all cylinders several times to force out any air from the hydraulic cylinders and lines. Check the oil levels in the tractor hydraulic system and add to maintain the proper level. Care should be used when adding oil or when disconnecting any oil line to keep all dirt out of the oil as dirt is a major factor in the failure of hydraulic components.

When your scraper is placed into operation, the operator will have to "feel out" the amount of depth of cut to obtain maximum loading efficiency. This is usually accomplished by taking a lesser and more uniform cut; however, some soil conditions such as loose sand may require a "pumping action" obtained by taking successive deep cuts and lifting out of cut as the tractor begins to lose power or traction.

- After 8 hours of operation, all bolts should be checked and tightened if necessary and all grease fittings lubricated. Check tire pressures daily. Also, check pins and cutting edges for signs of wear.
- After 50 hours work, all bolts should be rechecked and tightened if necessary. Check wheel bearings and adjust if necessary.
- Check wheel lug nut torque.
 - After first 2 hours of operation.
 - Recheck daily for the next 2 weeks.
 - Tighten wheel lug nuts in a star pattern.
 - Torque wheel lug nut (see Torque Specifications).
- After 300 hours work, clean and repack wheel bearings and replace, if necessary, cutting edges, worn pins, etc.



Failure to replace worn cutting edges may result in unnecessary wear to the earthmover sides and floor.

ASHLAND SCRAPERS**Operation and Maintenance**

Before starting a job, make sure Diggers Hot Line has been contacted and all underground utilities have been properly located (electric, phone and pipelines). Have a clear understanding of all local, OSHA and MSHA rules that apply to the job. Beware of your environment and keep others a safe distance from the machine while familiarizing yourself with the machine's controls. The scraper requires a power source with **TWO** 4-way (double acting) hydraulic control valves.

**Scraper damage can occur if:**

1. The scraper is running over the haul road with the bowl fully raised. On scrapers that have factory installed nitrogen over hydraulic accumulators, the lift cylinders should be lowered 3 to 4 inches to allow the cushioned ride to work properly.
2. The heaped payload repeatedly exceeds the design ISO 6485 Earth-moving machinery-Tractor-scraper volumetric rating.
3. The fully loaded scraper exceeds the 10 mph on smooth haul roads and dramatically less on uneven haul roads.
4. The scraper is being top-loaded without the bowl being fully lowered to the ground prior to placing the material into the bowl.
5. The scraper is being used to level haul roads with the apron closed, not allowing material to enter the bowl.
6. The scraper is being used to load rock.
7. The scraper is being aggressively push loaded with a dozer.
8. A power unit that is above the horsepower rating is pulling the scraper.

These types of damage are not covered by warranty. Warranty only covers defects in material or workmanship and not abuse because of improper use.

Know the job:

1. Know the weight of the material to be moved.
2. Lay the job out to take advantage of grades when loading, if possible.
3. Keep hauls as short as possible.
4. Keep haul roads smooth.
5. If more than one unit is on the job, make sure the haul roads are one way and that the operators understand the direction.
6. Brief the operators as to what the job consists of so there is not misunderstanding.
7. Know the moisture content in the material to be moved.
8. Will water be needed for proper compaction?
9. Will drainage be a problem?
10. How many units will be needed to efficiently complete the job?

Transport the scraper safely:

1. Always empty scraper.
2. Clean all material from exterior of scraper.
3. Make sure all road rules are followed.
4. Use proper lighting and flagging.
5. Lower scraper bowls to provide just enough clearance over obstacles.
6. Transport at a safe speed to avoid roll over.
7. Reduce speed on curves and when going downhill.

ASHLAND SCRAPERS**Operation and Maintenance****Apron Opening Guidelines:**

You will need to determine the ideal opening for your soil condition. It is important to have the apron opened prior to loading. To receive the highest production possible, it is important to know the general characteristics of the material that you will be loading. In heavier soils like clay or gumbo, the soil will slab up and remain together after being cut by the blades. In lighter soils, like sand or dry loose top soil, the material will pile up or push after being cut by the blade. Use the suggestions listed below:

Topsoil with heavy vegetation (12" to 24" opening):

When cutting undisturbed soils, you will need to open the apron high enough to allow debris to easily enter the scraper bowl. If the apron is opened too high, the rolling up sod will fall out past the apron and hinder the incoming material. If the apron is not adjusted quick enough, the material will bunch or push ahead of the machine. If this happens, you should close the apron and pull out the cut quickly. If you wait too long, you may develop too large a pile to clear the scraper while rising out of the cut. This can cause the power unit to lose traction and possibly cause you to get stuck.

Clay or loamy material: (6" to 12" opening):

To cut clay or loam soils, lower the apron to approximately 6" to 12" between the blades and the bottom of the apron. When you first lower the bowl, you'll see the material being cut by the blades and entering the bowl. As you continue to move forward, small clumps will fall past the apron and develop a small pile ahead of the apron. By limiting this apron opening, the small pile will "blade off" any loose material ahead of the machine. Adjustments should be made if large objects such as rocks or deep gouges are within the cut.

Sand or loose topsoil (15" to 30" topsoil):

Loading sand or loose top soil is the most difficult type of soil to load. In combination with the larger apron opening, you'll want to operate at a faster ground speed. By traveling faster and lowering the blade deeper than normal, it forces the material into the scraper bowl.

We encourage you to experiment with different apron openings to determine the best condition for your jobsite.



The Apron is designed to capture material inside of the scraper bowl and should not be used as a large blade. Obstructions like large rocks or dense piles may cause the apron to bend inward after prolonged exposure to these conditions.

Safety Guidelines



Safety Signal Words: Please note the use of signal words such as DANGER, WARNING, and CAUTION paired with the safety messages on your scraper. The appropriate signal word for each safety message has been selected using the following guidelines:

- **Danger:** Indicates an imminently hazardous situation that, if not avoided, will result in death or serious injury. This signal word is limited to the most extreme situations—typically for machine components which, for functional purposes, cannot be guarded.
- **Warning:** Indicates a potentially hazardous situation that, if not avoided, could result in death or serious injury. For example, hazards that are exposed when guards are removed. This signal word may also be used to alert against unsafe practices.
- **Caution:** Indicates a potentially hazardous situation that, if not avoided, may result in minor or moderate injury. This signal word may also be used to alert against unsafe practices.

Operator safety is a main concern in designing and developing equipment. Designers and manufacturers include as many safety features as possible. However, every year many accidents occur which could have been avoided by extra thought and a more careful approach to handling equipment. The operator can avoid many accidents by observing the precautions in this section. To avoid personal injury, study the following precautions and insist those working with, or for you, follow them.

Replace any CAUTION, WARNING, DANGER or instruction safety decal that is not readable or missing. Locations of decals are indicated in this booklet.

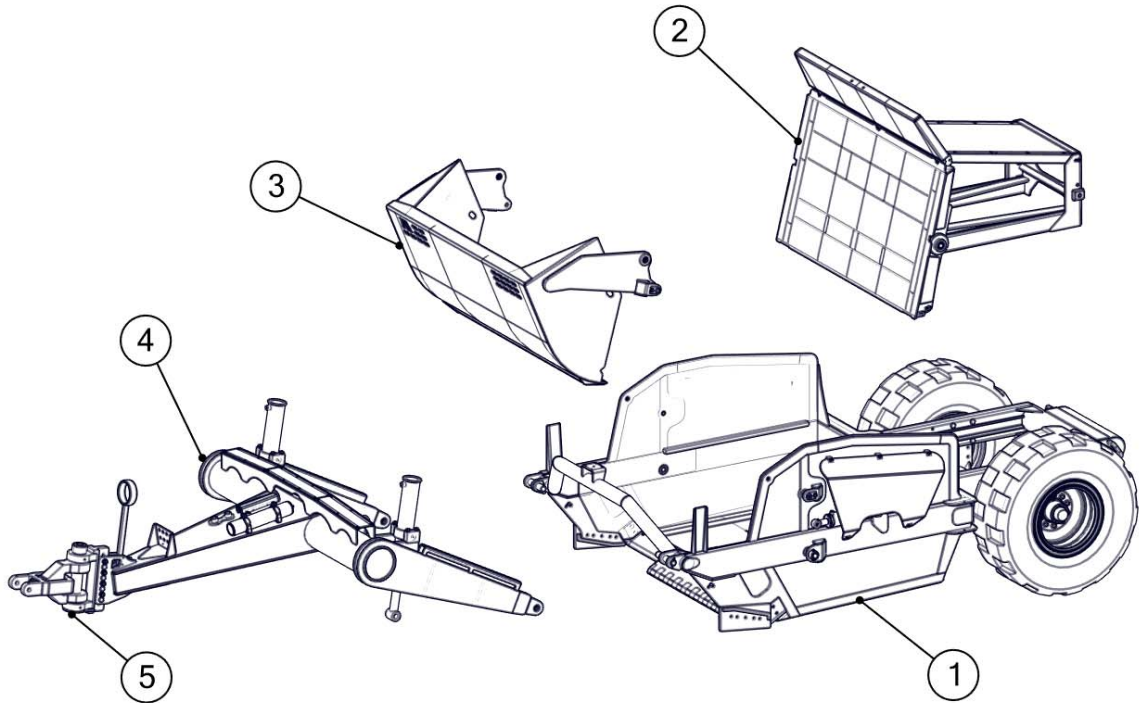
Do not attempt to operate this equipment under the influence of drugs or alcohol.

Review the safety instructions in the operator's manual with all users annually.

Operators should be responsible adults who are familiar with machinery and trained in the equipment's operations. Do not allow persons to operate or assemble this unit until they have read this manual and the owner's manual and have developed a thorough understanding of the safety precautions and scraper operation.

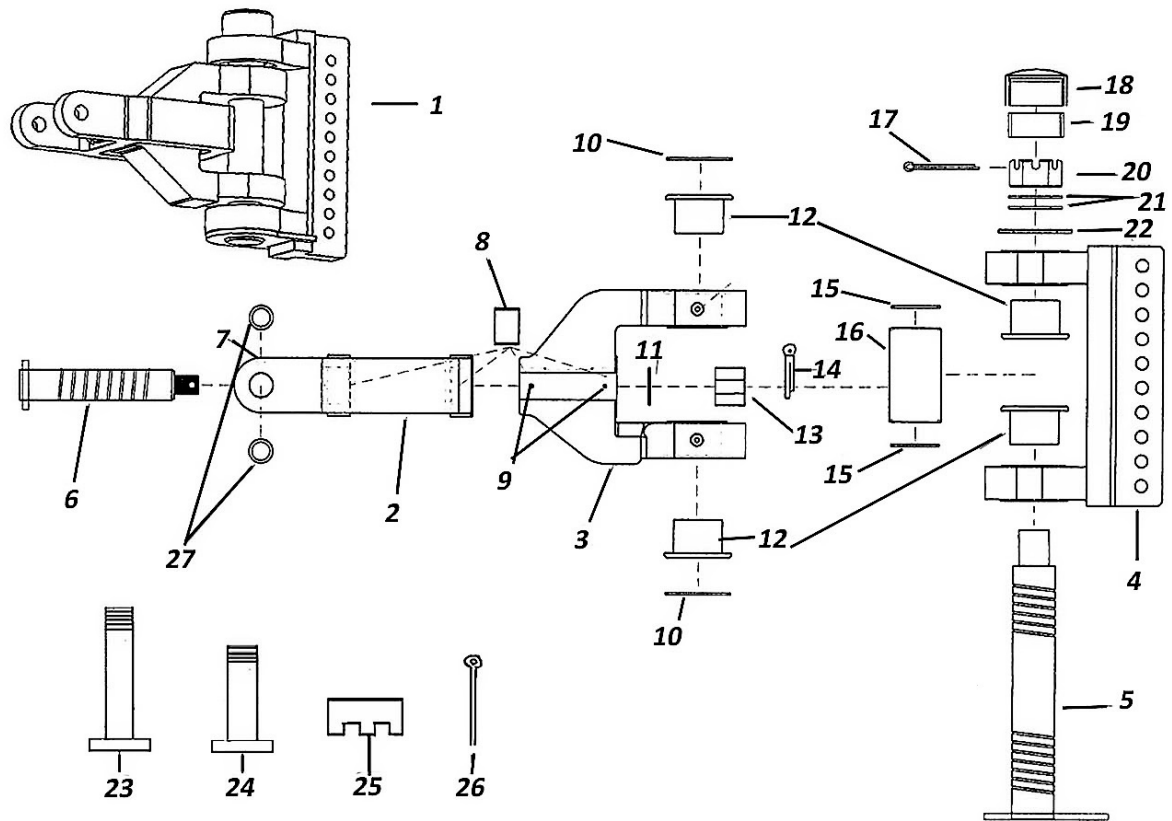
ASHLAND SCRAPERS

Assembly - Main - WG-140T-LGP-001



| ITEM | PART | DESCRIPTION |
|------|----------------|------------------------------------|
| | I-140T-LGP-001 | 140T-LGP-001 MAIN SCRAPER ASSEMBLY |
| 1 | 701025 | Bowl and Frame Assembly |
| 2 | 702015 | Push Off Assembly |
| 3 | 703011 | Apron Assembly |
| 4 | 704013 | Front Section Assembly |
| 5 | A125223 | Hitch: MDU Cast |

Swivel Hitch (#A125223)

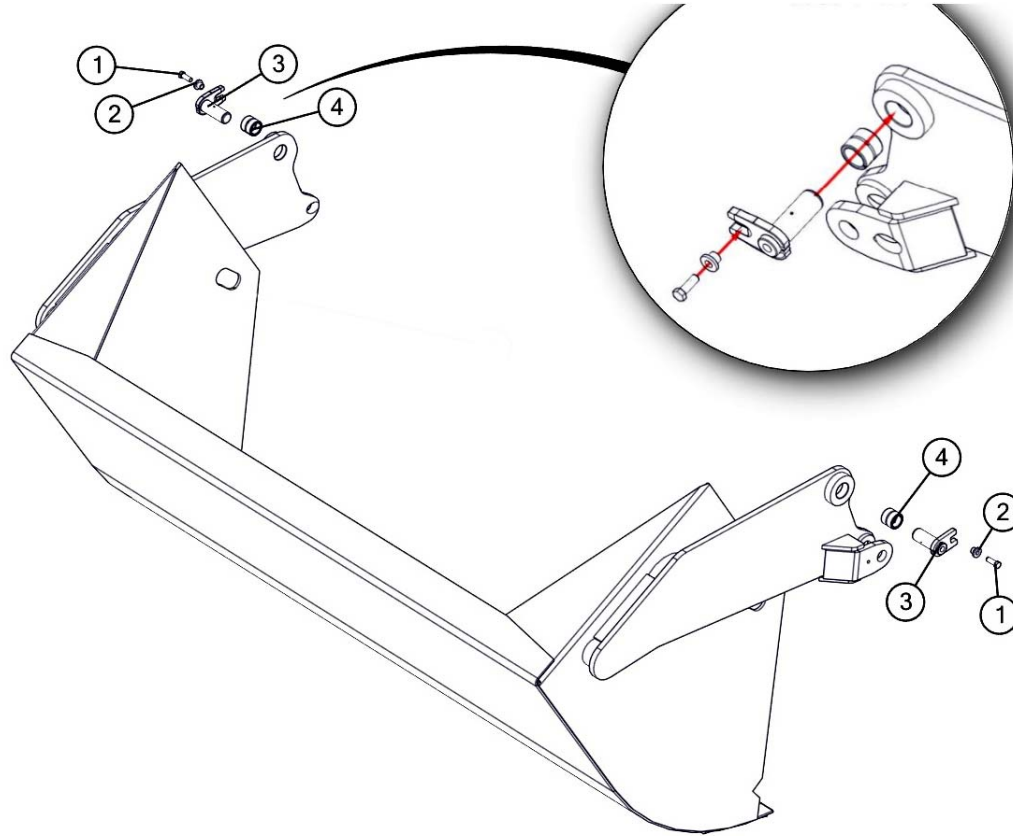


| ITEM | PART | DESCRIPTION |
|------|-------------|-------------------------------|
| 1 | A125223 | Hitch: MDU cast |
| 2 | A125223-01 | Yoke: A-Frame |
| 3 | A125223-02 | Swivel |
| 4 | A125223-03 | Bracket: 10 Hole |
| 5 | A125223-04 | Pin: Main Vertical |
| 6 | A125223-06 | Pin: Horizontal |
| 7 | 14505 | Grease Fittings |
| 8 | A125056-27 | Bushing |
| 9 | AFH-00028 | Grease Fitting 90 deg. |
| 10 | A125223-08 | Seal: O-Ring |
| 11 | A125223-11 | Washer - 1 1/2" for Horz. Pin |
| 12 | A125223-07 | Bushing |
| 13 | A125223-12 | Nut: Slotted 1 1/2" NC |
| 14 | AFP-00011 | Cotter Pin |
| 15 | A125223-09 | Seal: O-Ring |
| 16 | A125223--05 | Spacer: 6" |
| 17 | AFP-00012 | Cotter Pin |
| 18 | A125223-17 | Cap: For Vertical Pin |
| 19 | A125223-16 | Sleeve: 2" Rubber |
| 20 | A125223-15 | Nut: Slotted 2 1/2" NC |
| 21 | A125223-14 | Washer: 2 1/2" |

ASHLAND SCRAPERS**Swivel Hitch (#A125223)**

| ITEM | PART | DESCRIPTION |
|------|------------|----------------------------|
| 22 | A125223-13 | Spacer |
| 23 | A123299-08 | 4-Ear Drawbar to Hitch Pin |
| 24 | A123299-07 | 2-Ear Drawbar to Hitch Pin |
| 25 | AFN-00014 | 1 1/2" Castle Nut |
| 26 | AFP-00001 | Cotter Pin: 1/4" X 3" |
| 27 | A125056-24 | Bushing |

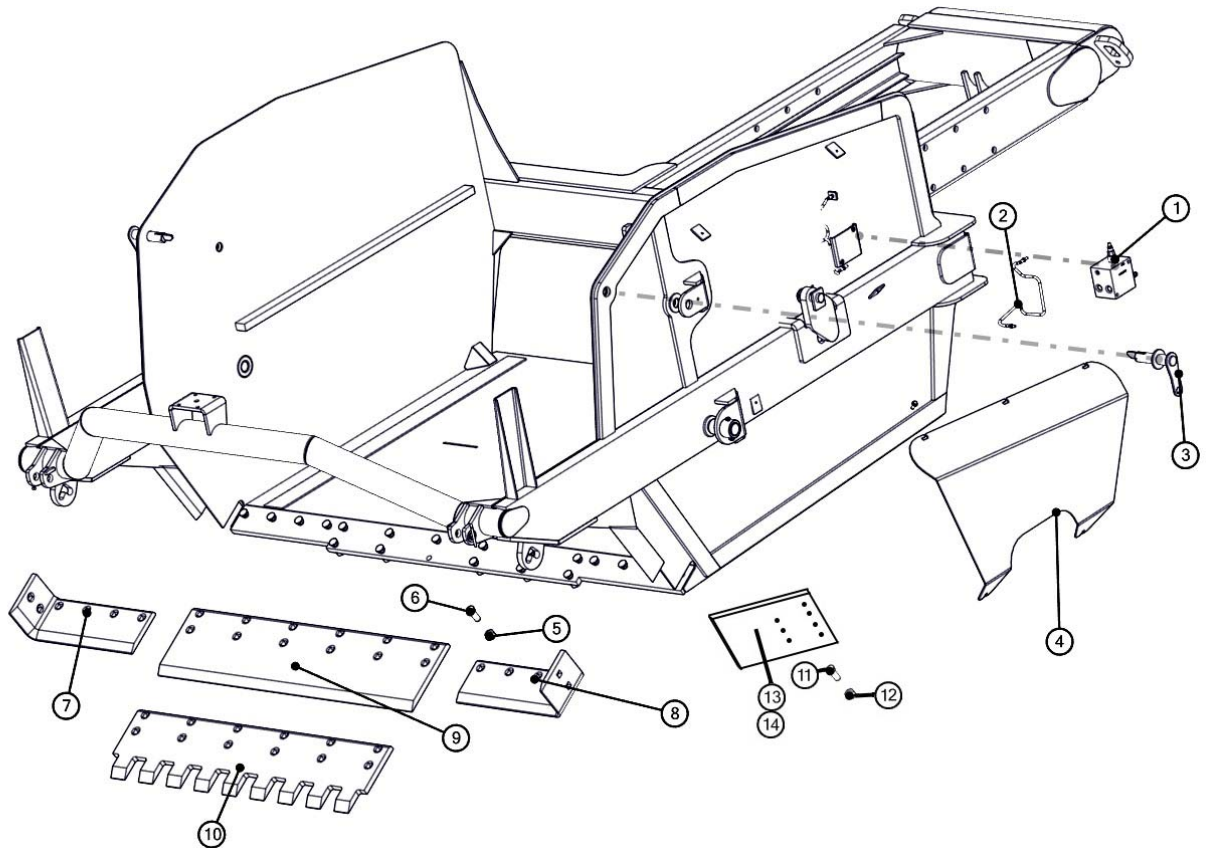
Apron - 703011



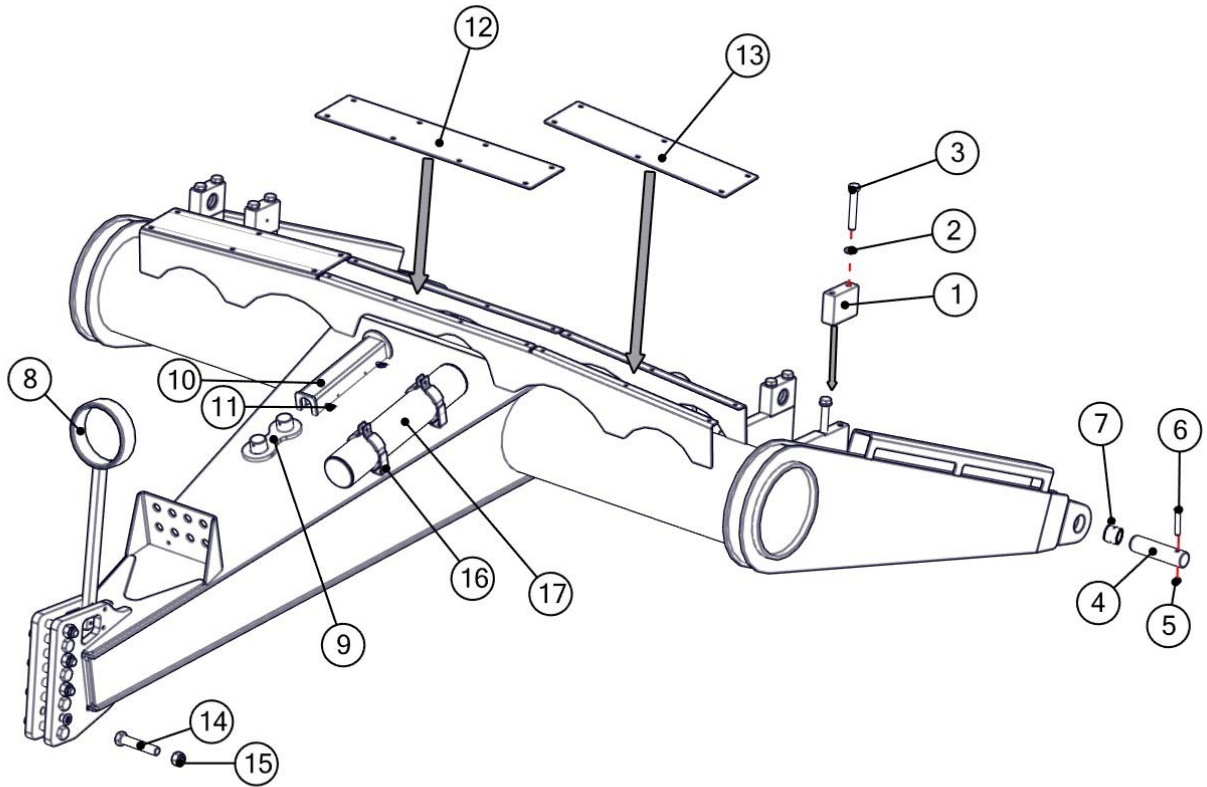
| ITEM | PART | DESCRIPTION |
|------|-----------|---|
| 1 | A123351 | Bushing: Pin Keeper 9 1/6" X 3/4" X 3/4"L |
| 2 | 600993 | Pin: Apron Cylinder Rod End |
| 3 | A123343 | Bushing: 1 1/2" ID X 2" OD X 1 3/4" |
| 4 | AFB-00015 | Bolt: 1/2" X 1 1/2" Hex Cap |

ASHLAND SCRAPERS

Bowl & Frame -140



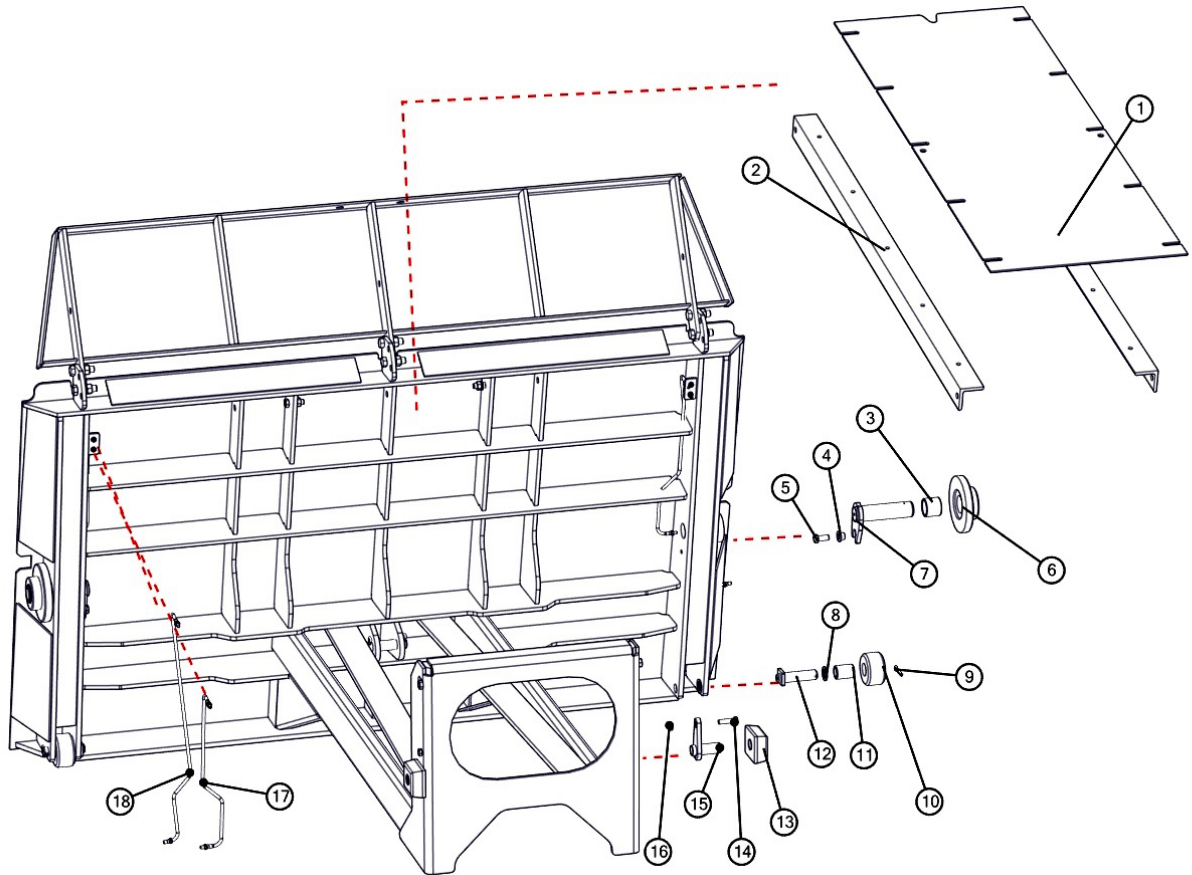
| ITEM | PART | DESCRIPTION |
|------|------------------|--|
| 1 | A125174 | Valve: Manifold Block |
| 2 | A125022 | Grease Line: 18" Ass'y |
| 3 | 500494 | Lock: Safety Pin |
| 4 | 502743 (502744) | Guard: Apron Cylinder, LH (RH), 140 |
| 5 | AFN-00019 | Nut: 7/8" Hex |
| 6 | PB9P-NC-088-0275 | Bolt: Plow 7/8" X 2 3/4" Gr 8 |
| 7 | A123332R | Blade: Right 7/8 X 8 X 21 1/4" 90 deg. |
| 8 | A123332L | Blade: left 7/i X 8 X 21 1/4" 90 deg. |
| 9 | A123331 | Blade: Center 1 X 13 X 54" Straight |
| 10 | A123331-SER | Blade: Center 1 X 13 X 54" Serrated (Optional) |
| 11 | PB9P-NC-088-0225 | Bolt: Plow 7/8 X 2 1/4" Gr 8 |
| 12 | AFN-00026 | Nut: 7/8" Hex |
| 13 | A123338L | Blade: Left Bank Shaver (Optional) |
| 14 | A123338R | Blade: Right Bank Shaver (Optional) |

ASHLAND SCRAPERS
Front Section - 704013


| ITEM | PART | DESCRIPTION |
|------|------------|----------------------------------|
| 1 | 502143 | Block: Trunion Mount |
| 2 | AFB-00039 | Bolt: 3/4" X 5 1/2" Gr. 8 |
| 3 | AFW-00024 | Washer: 3/4" Flat |
| 4 | A10152A | Pin: Front Section to Frame |
| 5 | AFB-00054 | Bolt: 1/2" X 3 1/2" Gr Hex Cap |
| 6 | AFN-00011 | Nut: 1/2" Gr 8 Hex |
| 7 | A14039 | Bushing: 2" ID X 2 3/8" OD X 2"L |
| 8 | 600119 | Hose Holder |
| 9 | A123320-20 | Transport Lock |
| 10 | 600100 | Lock: Apron |
| 11 | A125261 | Pin: P.B. Quick Rel. |
| 12 | 502963 | Guard: Front Section, Center |
| 13 | 502962 | Guard: Front section, Side |
| 14 | AFB-00021 | Bolt: 1" X 5 1/2" Gr 8 Hex Cap |
| 15 | AFN-00037 | Nut: 1" Top Lock |
| 16 | A125009 | Clamp: Accumulator Bracket |
| 17 | A125051 | Accumulator |

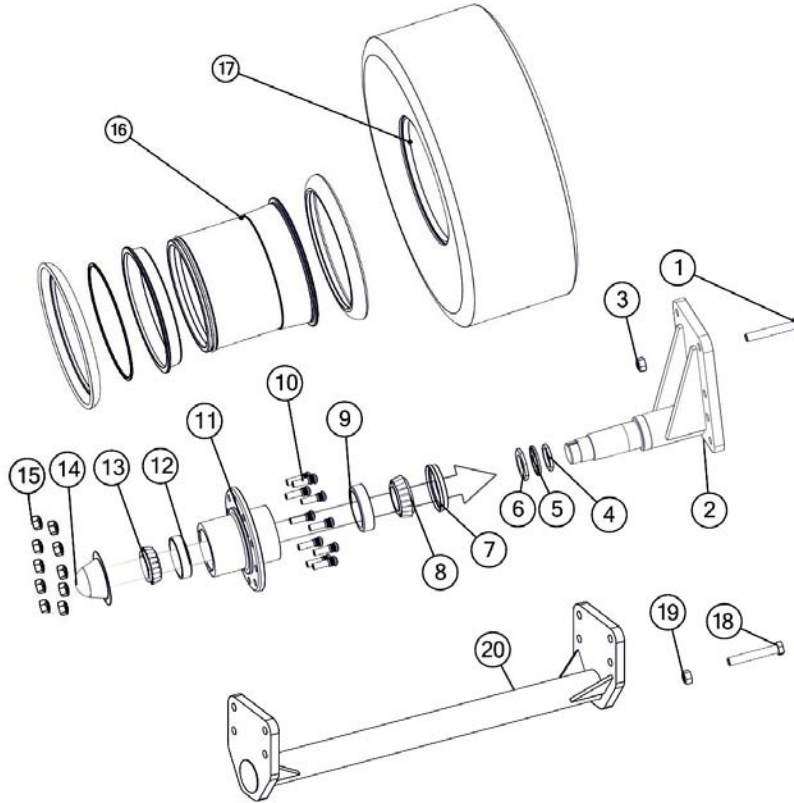
ASHLAND SCRAPERS

Push-Off - 702014-702016-702015-140



| ITEM | PART | DESCRIPTION |
|------|--------|-----------------------------|
| 1 | 502709 | Dirt Shield: Push-off 140XL |

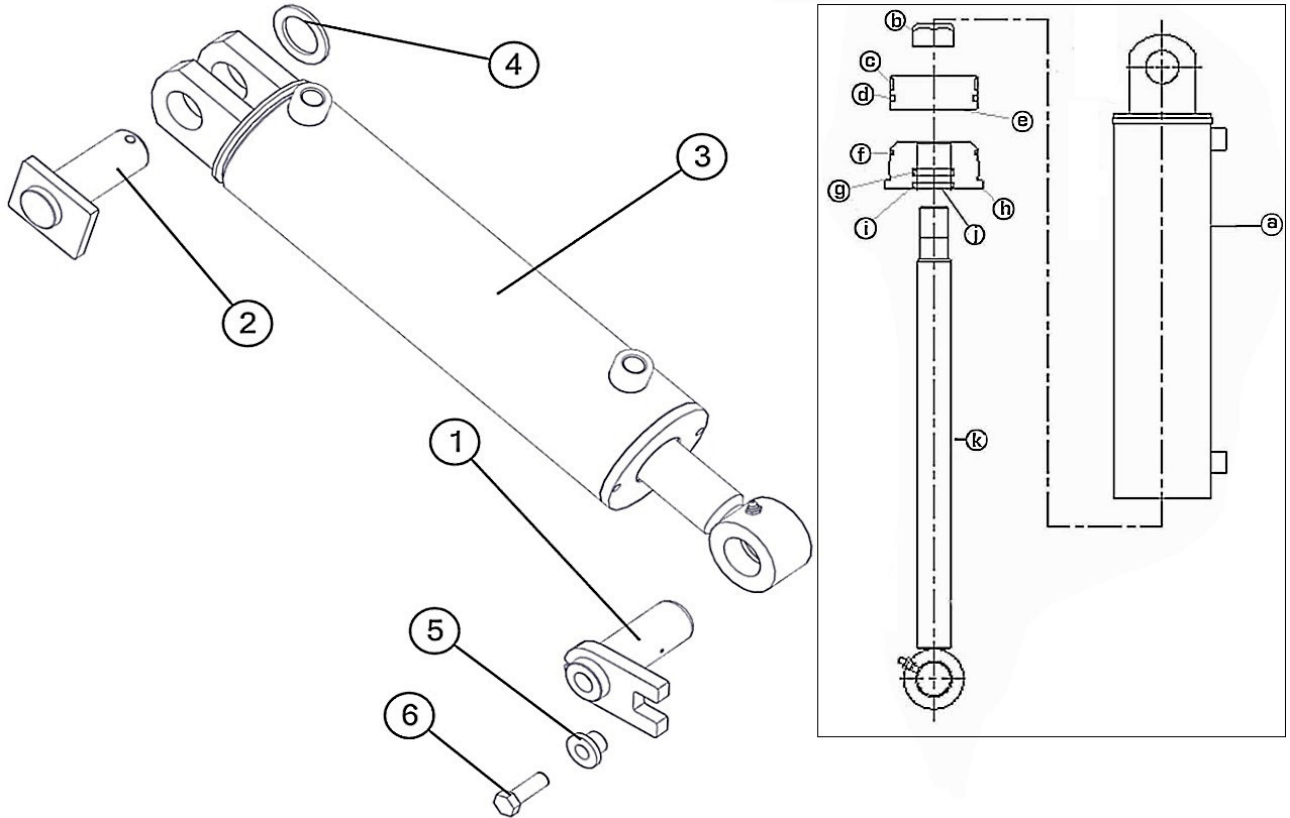
Rear Wheel (140)



| ITEM | PART | DESCRIPTION |
|------|-----------|------------------------------|
| 16 | 600403 | Wheel Assembly - (LGP) |
| 17 | ATI-00024 | Tire: 23.5 X 25 20 Ply (LGP) |

ASHLAND SCRAPERS

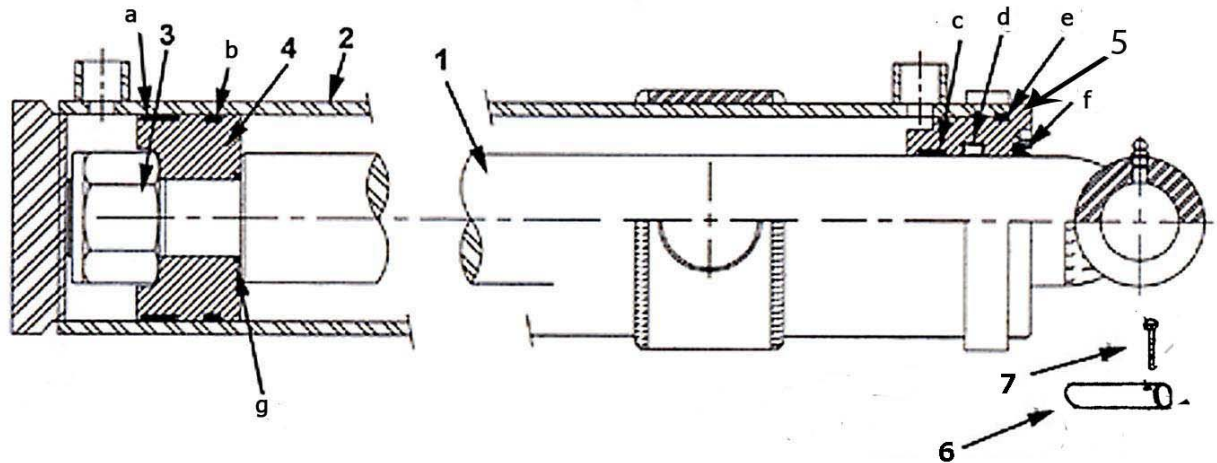
Apron Cylinder - A125050



| ITEM | PART | DESCRIPTION |
|------|------------|--|
| 1 | A125050 | APRON CYLINDER (4 X 13") |
| 2 | A123363 | Pin: Apron Cylinder Base End, 1 1/2" X 4 1/8" (Greaseable) |
| 3 | A123362 | Pin: Apron Cylinder Rod End, 1 1/2" X 4 1/2" |
| 4 | AFW-00016 | Washer: 1 1/2" X 10 ga. NM bushing |
| 5 | A123351 | Bushing: Pin Keeper 9/16" X 3/4 X 3/4" |
| 5 | AFB-00015 | Bolt: 1/2" X 1 1/2" Gr 8 |
| A | A125050-06 | Barrel: for 4 X 13" Cyl. |
| B | A125050-04 | Nut: Lock 1 1/8" NF |
| C | A125050-02 | Piston: 4" |
| D | A125050-03 | Gland |
| E | A125050-01 | Rod: Piston 1 3/4" dia w 1 1/2" Eye |
| | A125050-05 | Seal Kit Containing (f-k) |
| f | | Nylon Wear Ring |
| g | | FSP Seal |
| h | | O-Ring |
| i | | Backup Washer |
| j | | Hallite Rod Seal |
| k | | Snap in Rod Wiper |

ASHLAND SCRAPERS

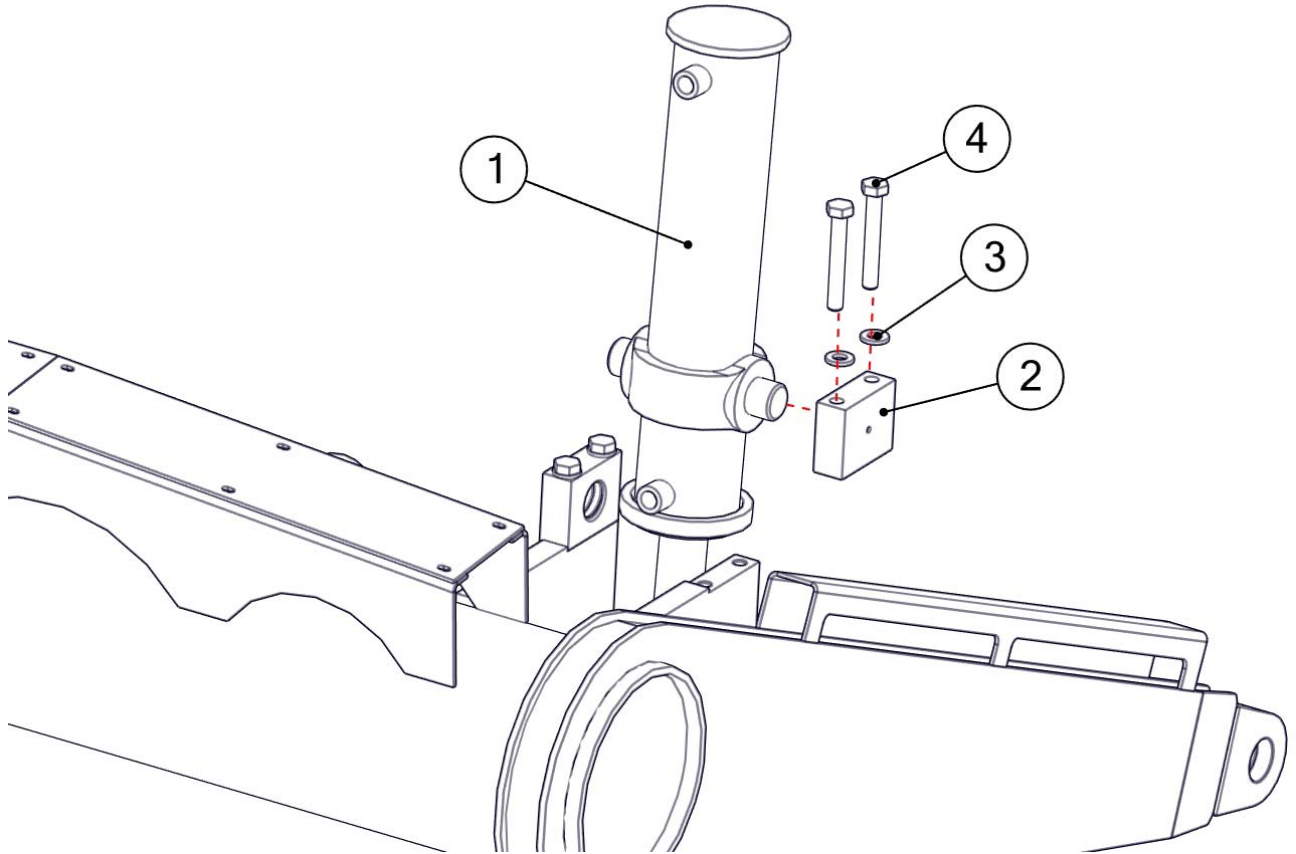
Lift Cylinder - A123326



A350P018

| ITEM | PART | DESCRIPTION |
|------|------------|----------------------|
| 1 | A123326-1 | Piston Rod: 2 1/2" |
| 2 | A123326-2 | Barrel Weldment |
| 3 | A125159-34 | Nut: Lock 1 3/4 NF |
| 4 | A123324-4 | Piston |
| 5 | A123324-5 | Gland |
| 6 | A123335 | Pin: Lift Cylinder |
| 7 | AFP-00001 | Cotter Pin, 1/4 X 3" |
| | AHS-00140 | Seal Kit (Items a-g) |
| a | | Wear Band |
| b | | Rod Seal |
| c | | Wear Ring |
| d | | Piston Seal |
| e | | O-Ring |
| f | | O-Ring |
| g | | Rod Wiper |

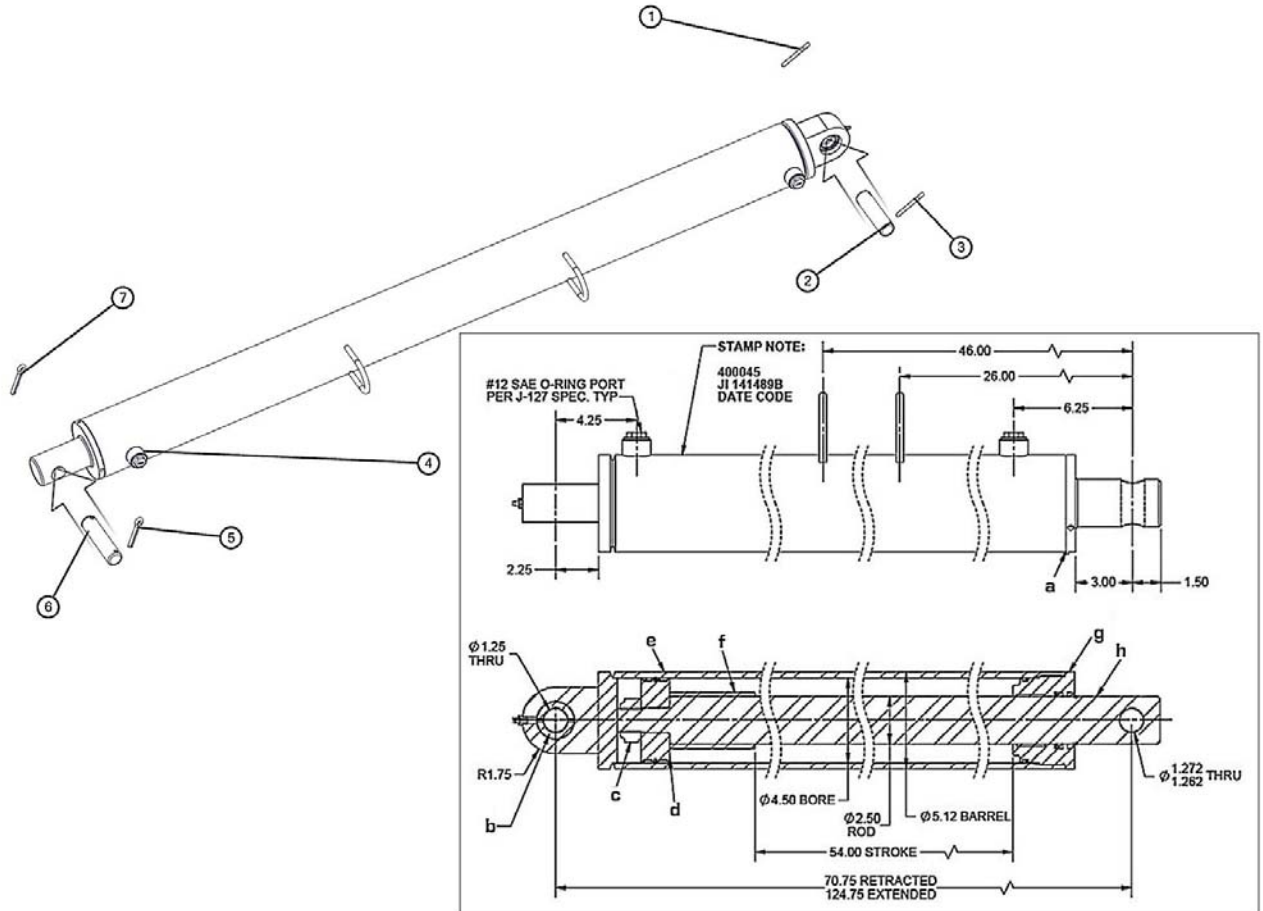
Trunion Blocks



| ITEM | PART | DESCRIPTION |
|------|-----------|---------------------------------|
| 1 | A123326 | Cylinder: 5 X 20" Trunion Mount |
| 2 | 502143 | Block: Trunion Mount |
| 3 | AFB-00039 | Bolt: 3/4" X 5 1/2" Gr 8 |
| 4 | AFW-00024 | Washer: 3/4" Flat |

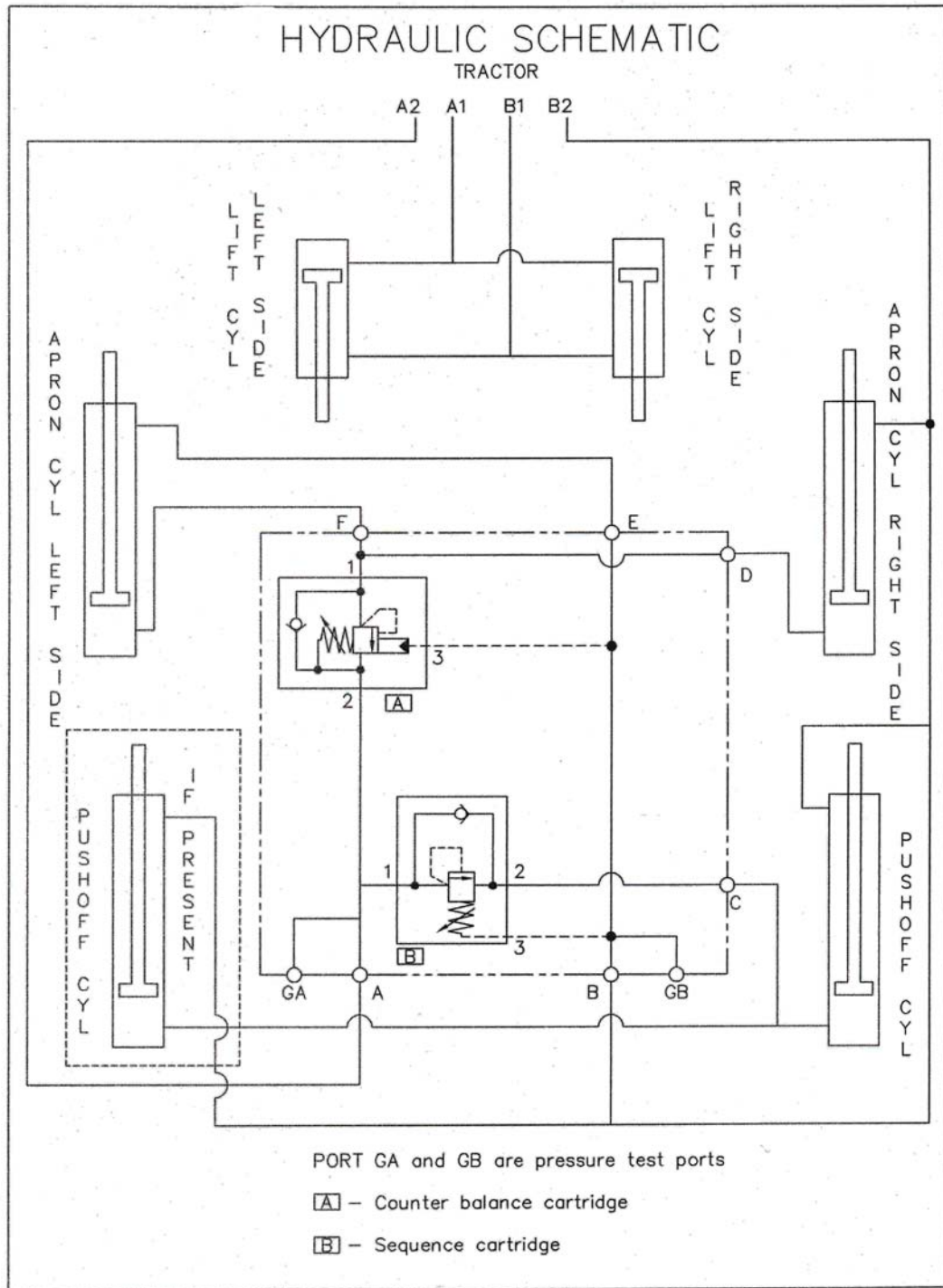
ASHLAND SCRAPERS

Push-Off Cylinder- 400045



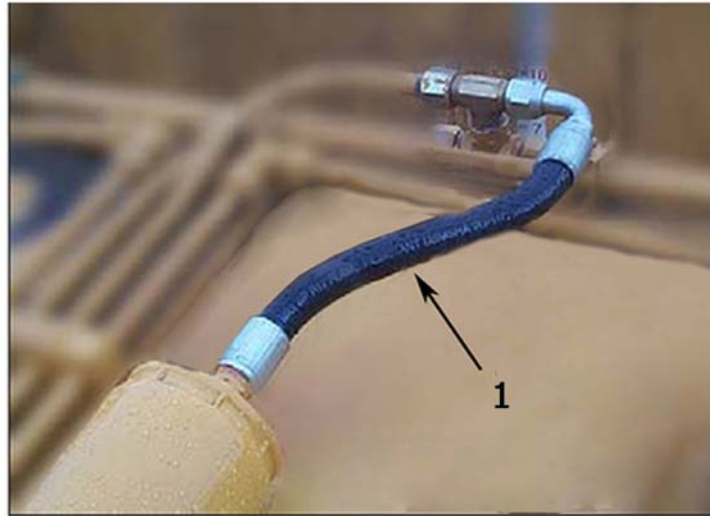
| ITEM | PART | DESCRIPTION |
|------|------------|----------------------------------|
| 1 | 400045 | PUSH-OFF CYLINDER (4 1/2 x 54") |
| 2 | AFP-00010 | Pin: 1/4" X 2" Cotter |
| 3 | A9024 | Pin: 1 1/4" X 4 3/4" |
| 4 | A14033 | Pin: 1 1/4" X 5 1/4" |
| a | 711127A | Locking Screw |
| b | A125175-35 | Bearing: 1 1/4" Cyl. Base |
| c | 712025A | Nut: 1 1/4" Nylock |
| d | 401405A | Piston: 4.5" |
| e | 204145BP | Barrel |
| f | 320750A | Stroke Limiter |
| g | 500422BP | Gland |
| h | 316480BP | Rod: 2.5" |
| | 432570BSK | Seal Kit for Rod Bearing (Gland) |

Hydraulic Schematic



A400H003

Hydraulic Accumulator



| ITEM | PART | DESCRIPTION |
|------|---------|----------------------------------|
| 1 | A155H67 | Hose, 3/4" X 16" MORB with sweep |
| 2 | A125009 | Bracket, Welded with bolts |
| 3 | A125005 | Accumulator Cylinder |

ASHLAND SCRAPERS
Hydraulic Manifold - A125174


| ITEM | PART | DESCRIPTION |
|------|------------|----------------------------|
| 1 | A125162-02 | PUSHOFF SEQUENCE CARTRIDGE |
| 2 | A125162-01 | COUNTER BALANCE CARTRIDGE |

SETTING THE APRON AND PUSHOFF VALVE

The manifold block containing the pushoff sequence valve cartridge and apron sequence valve cartridge is used to control two hydraulic circuits with one hydraulic remote. When the tractor hydraulic remote is activated, oil flows first to the apron cylinders until they are fully extended. Once the cylinders are fully extended, the apron circuits' hydraulic pressure begins to increase. Once the pressure threshold is surpassed (which is adjustable. See adjustment section), the sequence valve diverts the oil flow to the pushoff's hydraulic circuit. Once the push off is completely extended the operator then reverses the tractors hydraulic remote. The counterbalance valve will hold the apron open until the push off is fully retracted. The Apron sequence valve then opens and allows the apron to close.

Setting the valves:

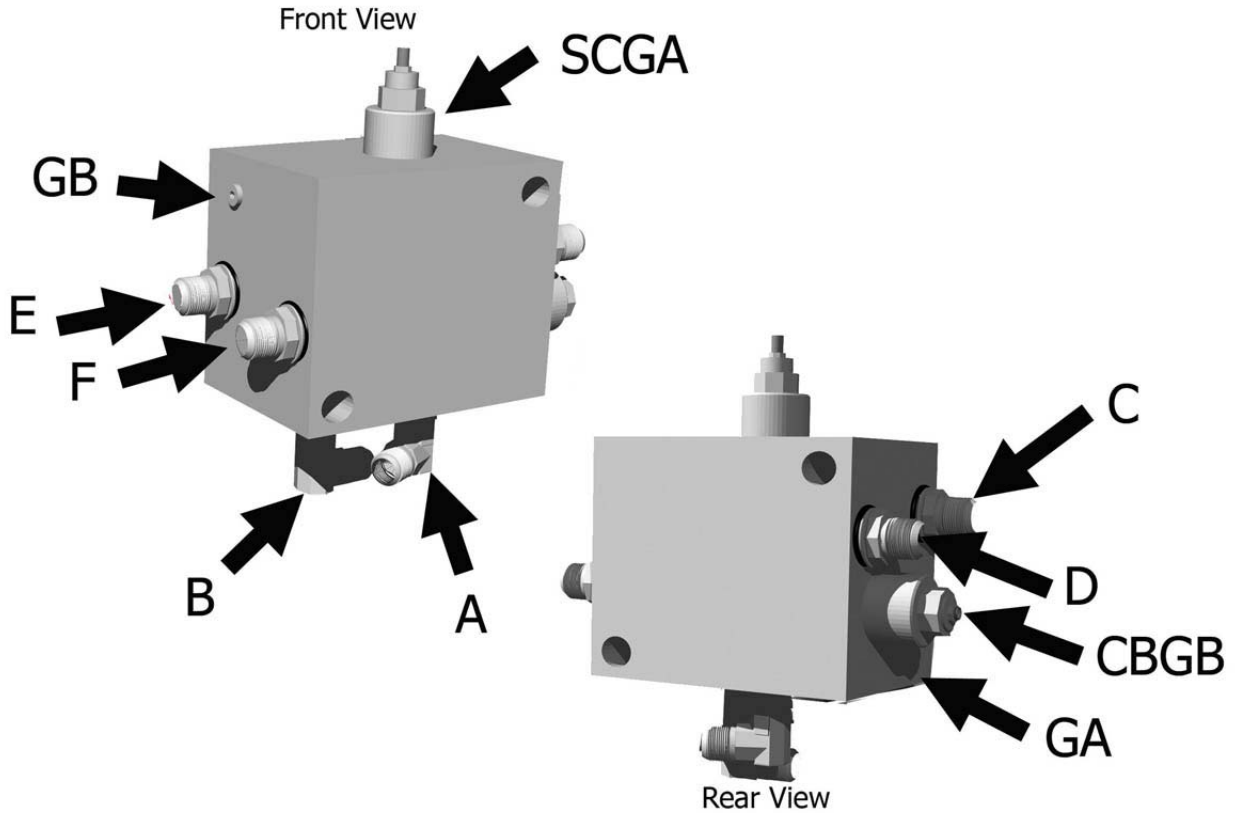
STEP 1 PUSHOFF SEQUENCE VALVE

Loosen the lock nut (9/16") on the sequence valve cartridge. Turn the setscrew (4mm) clockwise until the front apron rises before the push-off begins to advance. (Earthmover should be empty) Turn the adjustment screw an additional 1/4 turn clockwise and tighten jam nut.

STEP 2 COUNTER BALANCE VALVE

Loosen the lock nut (9/16") on the counterbalance valve cartridge. Turn the setscrew (4mm) counter-clockwise until the apron holds in a raised position while rear gate is being retracted. Turn adjustment screw an additional 1/4 turn, tighten jam nut. DO NOT tighten adjusting screw more than necessary.

Hydraulic Valve Ports

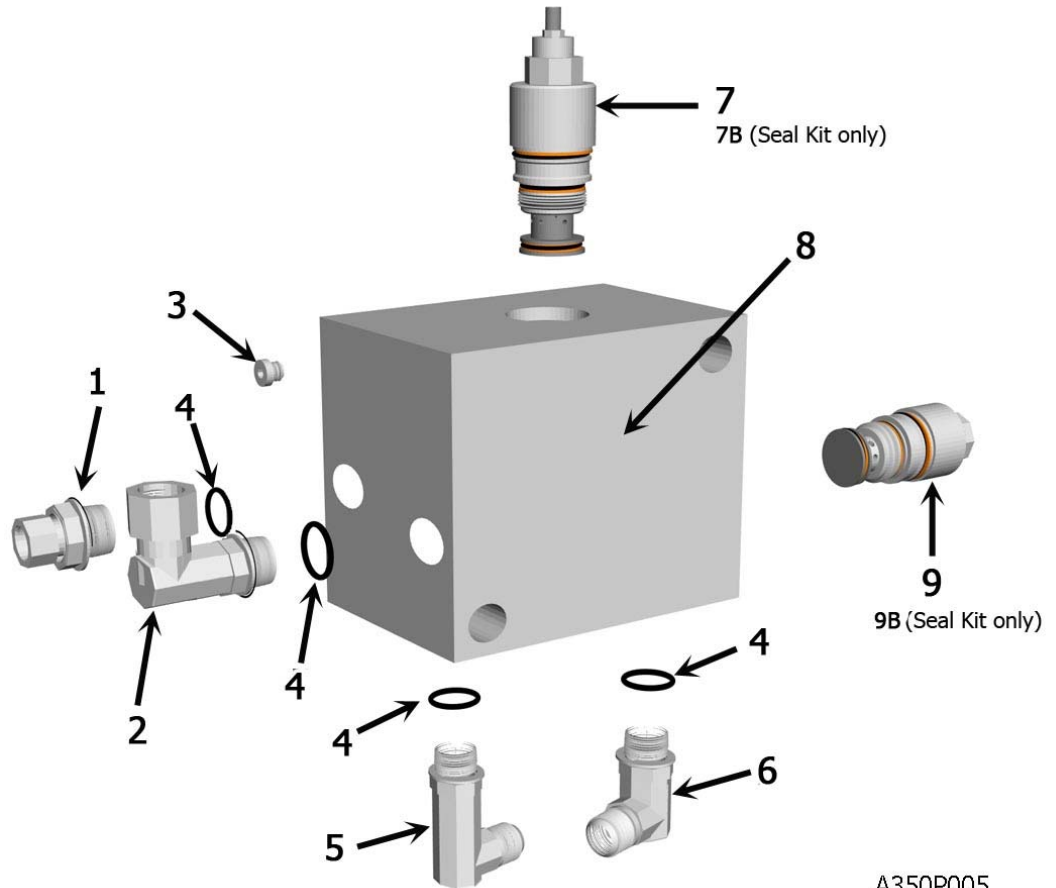


The lettering for the port locations are stamped on the block

A350P010

| ITEM | PART | DESCRIPTION |
|------|------|---|
| A | | Supply Line |
| B | | Pushoff Cyl., (Rod End)-Apron Cyl., Right side (Base End)-Supply Line |
| C | | Pushoff Cylinder, (Base End) |
| D | | Apron Cylinder, Right side, (Rod end) |
| E | | Apron Cylinder, Left side, (Base end) |
| F | | Apron Cylinder, Left side, (Rod end) |
| CBGB | | Counterbalance Valve, adjustable |
| SCGA | | Sequence Valve, adjustable |
| GA | | Pressure test port |
| GB | | Pressure test port |

Hydraulic Valve Seals

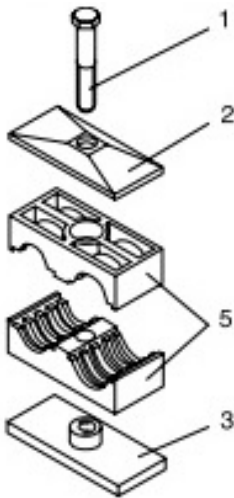


A350P005

| ITEM | PART | DESCRIPTION |
|------|----------------|---|
| 1 | AHA-00043 | Adapter: Str. Sw. 1 1/16 M ORB X 1/2 FP |
| 2 | AHA-00048 | Adapter: 90 Deg. Swiv. 1 1/6 M ORB X 1/2 FP |
| 3 | AHS-00046 | 6 ORB Plug |
| 4 | AHS-00153 | O-Ring for 12 M ORB Fitting |
| 5 | AHA-00047 | Adapter: 90 Deg. XL 3/4 MJX 1 1/6 M ORB |
| 6 | AHA-00044 | Adapter: 90 Deg. 3/4 MJ X 1 1/6 M ORB |
| 7 | A125162-02 | Valve: Sequence Cartridge for Ver. III & IV |
| 7b | A125162-02 KIT | Seal Kit for A125162-02 Valve Cartridge |
| 8 | A125174 | Valve: Manifold Block IV Body |
| 9 | A125162-01 | Valve: Counterbalance Cartridge for Ver. III & IV |
| 9b | A125162-01 KIT | Seal Kit for A125162-01 Valve Cartridge |

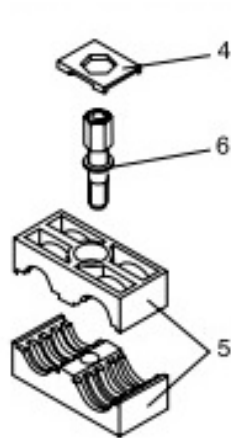
ASHLAND SCRAPERS

Hydraulic Plumbing Clamps



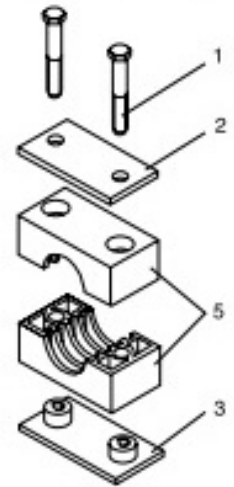
Twin Clamp with
Weld Plate

AHL-00002



Twin Clamp
Stacking Module

AHL-00022



Single Clamp with
Weld Plate

AHL-00001

| Parts Legend | |
|--------------|---------------|
| 1 | Hex Head Bolt |
| 2 | Top Plate |
| 3 | Weld Plate |
| 4 | Safety Plate |
| 5 | Clamp Pair |
| 6 | Stacking Bolt |

ASHLAND SCRAPERS

Service: Grease Locations TS



ASHLAND SCRAPERS**Service: Grease Locations TS****Lubrication Points (see Ill.)**

1. Hitch – Horizontal and vertical pins.
2. Lift Cylinders – Rod end & Base End; Both left & right sides.
3. Front Arm Pivot Joint – Both left & right sides.
4. Apron Cylinders – Rod clevis pin; Both left & right sides.
5. Apron Pivot Pin – Both left & right sides.
6. Hold-down Rollers – Both left & right sides.
7. Floor Rollers – Both left & right sides.
8. Tapered Rollers – Both left & right sides.
9. Hubs



PH: 715-682-4622 FX: 715-682-9717

ASHLAND SCRAPERS

Service: Scraper Specifications 140TS

ASHLAND SCRAPERS
Tire Inflation

TIRE INFLATION & TORQUE CHARTS

| TIRE INFLATION (PSI) | | | | |
|----------------------|----------------------|---------|----------------|---------|
| Scraper Model | Front Tire Size (XL) | Max PSI | Rear Tire Size | Max PSI |
| 25 | | | 11L-15.8 8 Ply | 36 |
| 50 | | | 16.9-24 8 Ply | 24 |
| 950 | 16.5L-16.1 10 Ply | 36 | 16.9-24 8 Ply | 24 |
| 140 | 550/45-22.5" 16 Ply | 51 | 18.4-26 18 ply | 28 |
| 140 LGP | 550/45-22.5" 16 Ply | 51 | 23.5-25 20 Ply | 54 |
| 155 | 20.5-25 12 Ply | 51 | 29.5-25 28 Ply | 62 |
| 175 | 20.5-25 12 Ply | 51 | 29.5-25 28 Ply | 62 |
| 175 (Big Tire) | 23.5-25 20 Ply | 54 | 29.5-25 28 Ply | 62 |
| 215 TS | | | 20.5-25 20 Ply | 62 |
| 220 | | | 20.5-25 20 Ply | 62 |
| 2014CS | | | | |
| | | | | |

On new machines, the wheels should be retorqued after the first two hours of use. Then check tires daily to ensure correct inflation levels. Check tire pressure with an accurate gauge having 6.9 kPa (0.07 bar) 1 psi) gradations. Check tires daily to ensure correct inflation levels. Also check for:

- Tire Damage
- Loose or missing wheel lugs, nuts or caps
- Uneven wear
- Damaged Rims

| Torque Ft-lbs | Lug nuts (by model) |
|---------------|---------------------|
| 85-100 | 900-950 |
| 450 | 110-140 |
| 450 | 155-175 front |
| 750 | 155-175 rear |
| 750 | 220 |
| 750 | 2014 |
| Torque Ft-lbs | Bolt Diameter |
| 12 | 1/4" |
| 25 | 5/16" |
| 45 | 3/8" |
| 70 | 7/16" |
| 110 | 1/2" |
| 150 | 9/16" |
| 220 | 5/8" |
| 380 | 3/4" |
| 600 | 7/8" |

ASHLAND SCRAPERS**Maintenance Check List**

1. Grease all zerks.
 - a) Every 8 hours of operation.
 - b) See Lubrication Points section on next page.

2. Greasing the hubs.
 - a) Re-pack wheel bearings after 300 hrs of operation.
 - b) Completely clean grease out of hub and bearings every 1200 hours of operation.

3. Check tire pressure.
 - a) See Tire Pressure Chart.

4. Check all pins for signs of wear.
 - a) Daily

5. Check wheel lug nut torque.
 - a) After first 2 hours of operation.
 - b) Recheck daily for next 2 weeks.
 - c) Tighten wheel lug nuts in a star pattern.
 - d) Torque wheel lug nuts (See Torque Specifications).

6. Check and retighten all bolts.
 - a) After initial 10 hours of use.
 - b) Again after 50 hours of use.
 - c) See Torque Specifications.

7. Inspect cutting edges.
 - a) Daily
 - b) Replace cutting edges when center blade has been worn to approximately 6" and side edges worn to approximately 4".



CAUTION! Failure to replace worn cutting edges may result in unnecessary wear to the earthmover sides and floor.

Note: Please specify left or right "L" shaped cutting edges when ordering replacements. Left or right side parts are determined by viewing from rear of the scraper.

ASHLAND SCRAPERS**Service: Tire Service**

The task of servicing tires and wheels can be extremely dangerous and should be performed by trained personnel only, using the correct tools and following specific procedures. Do not attempt to mount, demount or inflate a tire if you do not have the proper equipment and experience to perform the job. Call a qualified repair service to inspect the assembly and make necessary repairs. Failure to heed warnings could lead to serious injury or death.

Visually inspect tires and wheels daily. Carefully inspect any rim and tire assembly that has been run underinflated or flat before reinflating the tire to make sure there is no damage to either the rim or tire.

- ALWAYS wear personal protection equipment such as gloves, footwear, eye protection, hearing protection and head gear when servicing tire and wheel components.
- DO NOT operate with damaged rims, tire cuts or bubbles, missing lug bolts or nuts or damaged rims.
- ALWAYS maintain the correct tire pressure. NEVER exceed recommended tire inflation pressure.
- INSPECT any rim and tire assembly that has been run flat or severely underinflated before reinflating the tire. Damage to the rim and tire may have developed.
- NEVER inflate a tire that has lost air pressure or has been run flat without determining and correcting the problem.
- NEVER try to repair wheel, rim, or tire components parts. Parts that are cracked, worn, pitted with corrosion, or damaged must be discarded, and replaced with good parts.
- ALWAYS use approved tire and rim combinations for the model scraper that you have and verify that part numbers of components are correctly matched for the assembly.
- ALWAYS exhaust all air from the tire prior to demounting.
- ALWAYS place wheel and tire assemblies in restraining devices (safety cage) when inflating tires. Use a clip-on chuck and long extension hose to allow you to stand to the side of the tire and not in front of it.
- NEVER weld or cut on an inflated tire assembly. Welding heat can cause increased pressure which could result in tire explosion.
- ALWAYS use proper lifting techniques, and mechanized lifting aids to move heavy components and assemblies.
- NEVER leave a tire, wheel, or assembly unsecured in a vertical position.
- ALWAYS take care when moving tires and wheels that other people in the area are not endangered.

ASHLAND SCRAPERS**Troubleshooting**

With proper care and maintenance, your Ashland Scraper will give many years of reliable service. When a situation arises where the earthmover performance is not satisfactory, this section will give some pointers on finding and correcting the problem.

Grease zerk will not take grease.

1. Grease zerk plugged.
 - a) Remove and replace grease zerk.
2. Pin is frozen.
 - a) Remove, clean, and inspect pin.
 - b) Replace pin if necessary.
3. Bushing grease passage is not aligned with grease zerk.
 - a) Remove, clean, inspect, and realign bushing.
 - b) Replace bushing if necessary and realign.

Push-off rollers do not roll.

1. The rollers need lubrication.
 - a) Check zerk hole and grease.
 - b) Remove pin, clean, inspect, and replace if necessary.
2. The roller bushing is worn out.
 - a) Remove roller assembly and replace bushing.
 - b) See parts manual.

Cylinders will not hold in preset position, i.e. the cylinder creeps.

1. Seals leaking internally.
 - a) Remove and replace seal kit.

Machine cuts unevenly.

1. Cutting edges worn unevenly.
 - a) Replace cutting edges.
2. Improperly inflated tires.
 - a) Check air pressure in tires.

ASHLAND SCRAPERS**Warranty Statement**

Ashland Industries Inc. warrants each new product to be free from defects in material and workmanship. This warranty is applicable only for the normal service life expectancy of the product or components, not to exceed **six consecutive months** from the date of delivery of the new Ashland Industries product to the purchaser, or the date the product is first put into service via a rental agreement or other means, whichever occurs first.

The major components of swivel hitches used on Industrial series scrapers are warranted for three consecutive months from the date of delivery of the new Ashland Industries product to the purchaser, or the date the product is first put into service via a rental agreement or other means, whichever occurs first, except those components described below.

Genuine Ashland Industries Inc. replacement parts and components will be warranted for 30 days from date of purchase, or the remainder of the original equipment warranty period, whichever is longer.

Under no circumstances will it cover any merchandise or components thereof, which in the opinion of the company, has been subjected to misuse, unauthorized modification, alterations, an accident or if repairs have been made with parts other than those obtained through Ashland Industries Inc.

Ashland Industries Inc. in no way warrants Tires since their respective manufacturer warrants these items separately. Please call Ashland Industries Inc. to receive phone numbers of tire suppliers.

Ashland Industries Inc. in no way warrants wearable items such as cutting edges, front dolly wheel balls, socket halves, rollers, bushings, yoke hitch pins, hitch bushings, etc..

Our obligation under this warranty shall be limited to repairing or replacing, free of charge to the original purchaser, any part that, in our judgment, shall show evidence of such defect, provided further that such part shall be returned within 30 days from the date of failure to Ashland Industries Inc. routed through the dealer and distributor from whom the purchase was made, transportation charges prepaid. Upon warranty approval proper credits will be reimbursed for transportation.

This warranty shall not be interpreted to render Ashland Industries Inc. liable for injury or damages of any kind or nature to person or property. This warranty does not extend to the loss revenue, extra labor cost associated with downtime, substitute machinery, rental or for any other reason.

Except as set forth above, Ashland Industries Inc. shall have no obligation or liability of any kind on account of any of its equipment and shall not be liable for special or consequential damages. Ashland Industries Inc. make no other warranty, expressed or implied, and, specifically, Ashland Industries Inc. disclaims any implied warrant or merchantability or fitness for a particular purpose. Some states or provinces do not permit limitations or exclusions of implied warranties or incidental or consequential damages, so the limitations or exclusion in this warranty may not apply.

This warranty is subject to any existing conditions of supply which may direct affect our ability to obtain materials or manufacture replacement parts.

Ashland Industries Inc. reserves the right to make improvements in design or changes in specifications at any time, without incurring any obligation to owners of units previously sold.

No one is authorized to alter, Modify or enlarge this warranty nor the exclusion, limitations and reservation .

Warranty Department