

Ashland **INDUSTRIES, INC.™**



I-175 PARTS MANUAL

Version 3-03

Ashland Industries Inc.
1115 Rail Drive
P.O. Box 717
Ashland, WI. 54806
Ph: 877-634-4622 *Toll Free*
Ph: 715-682-4622
Fx: 715-682-9717
www.ashlandind.com



HOW TO ORDER PARTS:

IMPORTANT

Parts must be ordered through your local authorized ASHLAND dealer.

Be sure to state MODEL and SERIAL NUMBER of your machine, PART NUMBER, DESCRIPTION and QUANTITY needed.

Unless this is done, we cannot provide prompt service or assure shipment of the correct parts.



Ashland Industries weldable replacement parts are available to rebuild, modify or update your scraper to current factory specifications.

INDEX

Page 3.	Operators and Maintenance Instructions
Page 4.	Safety Guidelines
Page 5.	Illustration - Assembly
Page 6.	Illustration - Gooseneck Frame Assembly
Page 7.	Illustration - Apron Assembly
Page 8.	Illustration - Bowl and Frame Assembly
Page 9.	Parts List - Bowl and Frame
Page 10.	Illustration and Parts List - Push Off Gate Assembly
Page 11.	Illustration and Parts List - Pole and Axle Assembly
Page 12.	Illustration and Parts List - Front Wheel and Hub Assembly
Page 13.	Illustration and Parts List - Rear Wheel and Hub Assembly
Page 14.	Illustration and Parts List - Hydraulic Cylinder 4" x 13"
Page 15.	Illustration and Parts List - Hydraulic Cylinder 4" x 13"
Page 16.	Illustration and Parts List - Hydraulic Cylinder 5" x 20"
Page 17.	Illustration - Hydraulic Cylinder 4-1/2" x 60"
Page 18.	Parts List - Hydraulic Cylinder 4-1/2" x 60"
Page 19.	Illustration - Hydraulic Circuit
Page 20.	Parts List - Hydraulic Circuit
Page 21.	Illustration and Parts List - Hydraulic Valve
Page 22.	Counterbalance Valve
Page 23.	Warranty Statement

OPERATORS AND MAINTENANCE INSTRUCTIONS

This scraper is a durable piece of equipment and with proper care will yield many years of trouble free operation. The scraper requires a power source with TWO 4 way (double acting) hydraulic control valves.

The scraper should be greased at all points where grease fittings are provided. Connect hydraulic hoses to the tractor and retract lift cylinders to REMOVE TRANSPORT LOCK PINS (point A), then extend and retract all cylinders several times to force out any air from the hydraulic cylinders and lines. Check the oil levels in the tractor hydraulic system and add to maintain the proper level. Care should be used when adding oil or when disconnecting any oil line to keep all dirt out of the oil as dirt is a major factor in the failure of hydraulic components.

When the scraper is placed into operation, the operator will have to "feel out" the amount of depth of cut to obtain maximum loading efficiency. This is usually accomplished by taking a lesser and more uniform cut; however, some soil conditions such as loose sand may require a "pumping action" obtained by taking successive deep cuts and lifting out of cut as the tractor begins to lose power or traction.

1. After 10 hours work, all bolts should be checked and tightened if necessary.
2. Every 10 hours all grease fittings should be lubricated.
3. After 50 hours work, all bolts should be rechecked and tightened if necessary. Check wheel bearings and adjust if necessary.
4. After 300 hours work, clean and repack wheel bearings and replace, if necessary, cutting edges, worn pins, etc.



SAFETY SIGNAL WORDS

Note the use of the signal words DANGER, WARNING and CAUTION with the safety messages. The appropriate signal word for each has been selected using the following guidelines:

DANGER: Indicates an imminently hazardous situation that, if not avoided, will result in death or serious injury. This signal word is to be limited to the most extreme situations typically for machine components which, for functional purposes, cannot be guarded.



WARNING: Indicates a potentially hazardous situation that, if not avoided, could result in death or serious injury, and includes hazards that are exposed when guards are removed. It may also be used to alert against unsafe practices.



CAUTION: Indicates a potentially hazardous situation that, if not avoided, may result in minor or moderate injury. It may also be used to alert against unsafe practices.



GENERAL SAFETY GUIDELINES

Safety of the operator is one of the main concerns in designing and developing a new piece of equipment. Designers and manufacturers build in as many safety features as possible. However, every year many accidents occur which could have been avoided by a few seconds of thought and a more careful approach to handling equipment. You, the operator, can avoid many accidents by observing the following precautions in this section. To avoid personal injury, study the following precautions and insist those working with you, or for you, follow them.

Replace any CAUTION, WARNING, DANGER or instruction safety decal that is not readable or is missing. Location of such decals is indicated in this booklet.

Do not attempt to operate this equipment under the influence of drugs or alcohol.

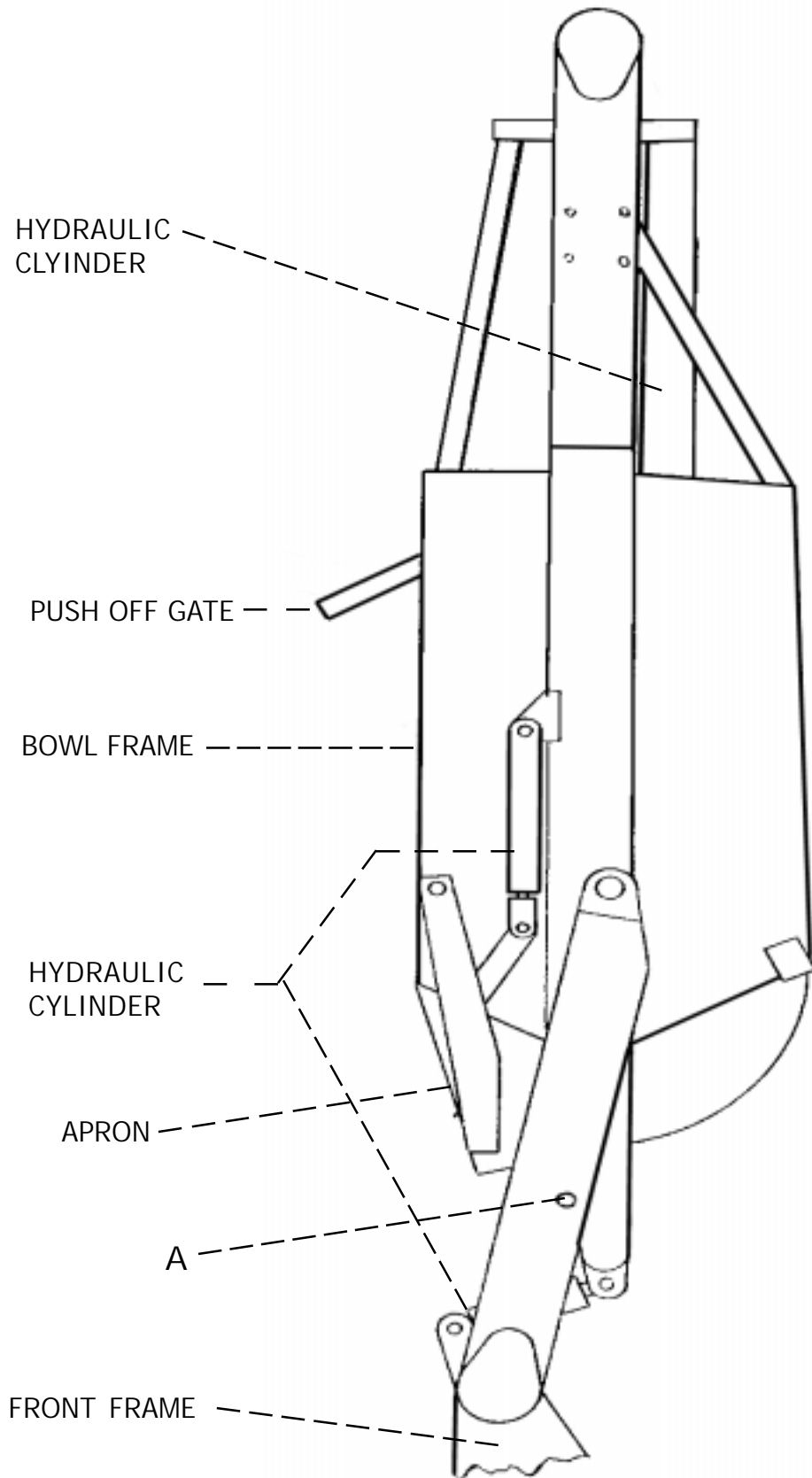
Review the safety instructions with all users annually.

This equipment is dangerous to children and persons unfamiliar with its operation. The operator should be a responsible adult familiar with farm machinery and trained in this equipment's operations. Do not allow persons to operate or assemble this unit until they have read this manual and have developed a thorough understanding of the safety precautions and of how it works.

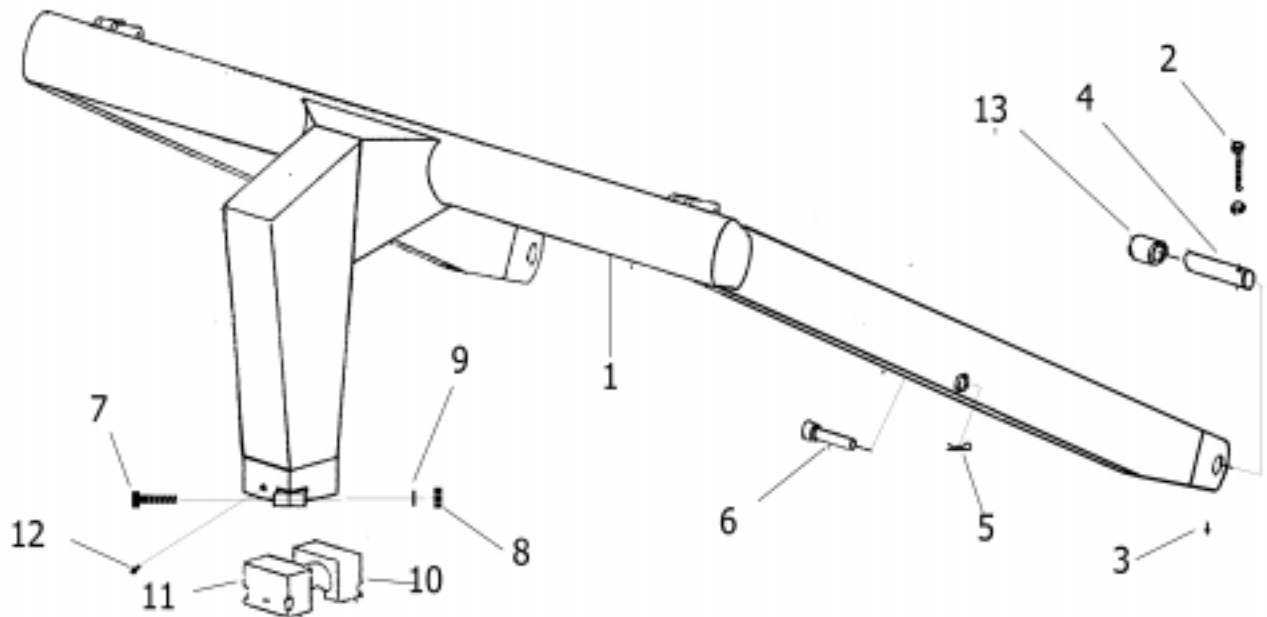
To prevent injury or death, use a tractor equipped with a Roll Over Protective System (ROPS). Do not paint over, remove or deface any safety signs or warning decals on your equipment. Observe all safety signs and practice the instructions on them.

Never exceed the limits of a piece of machinery. If its ability to do a job, or to do so safely, is in question - DON'T TRY IT.

ILLUSTRATION * ASSEMBLY



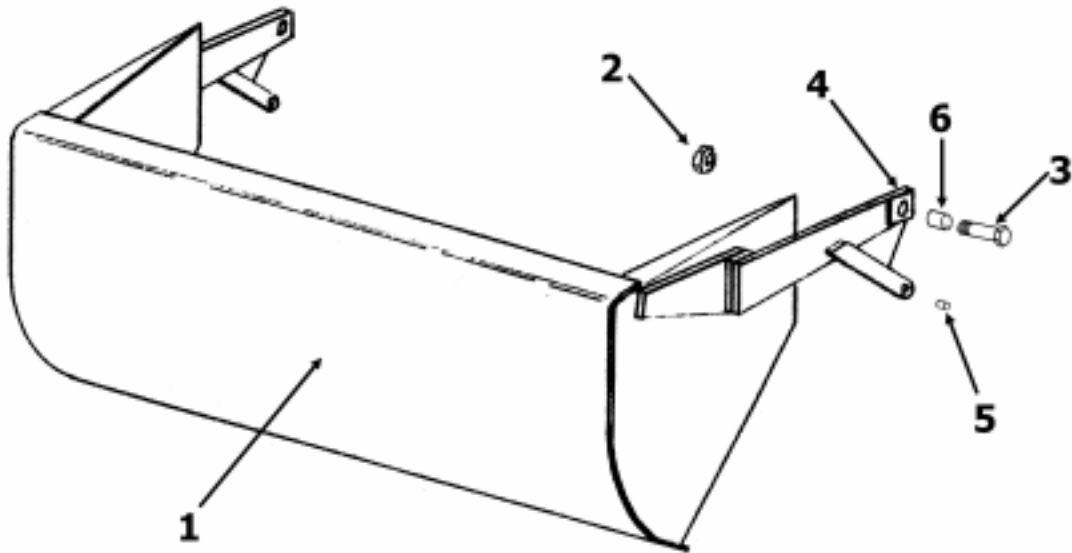
GOOSENECK FRAME ASSEMBLY



PARTS LIST GOOSENECK FRAME ASSEMBLY MODEL I-175

KEY NO.	PART NO.	DESCRIPTION
1.	A17507	Gooseneck Frame
2.	AFB-00054	Bolt, 1/2" NC x 3-1/2" Lg.
3.	14505	Grease Zerk - Straight
4.	A17508	Pin, Frame Attach
5.	-----	Hair Pin
6.	AFB-00018	Bolt, Transport Lock, 1" NC x 3"
	AFN-00012	Nut: 1" NC
7.	AFB-00022	Bolt, 7/8"NF x 4-1/2" Lg. Grade 5
8.	7597	Nut, 7/8"NF
9.	8125	Lockwasher 7/8"
10.	A14002	Cast Socket Half - Rear
11.	A14003	Cast Socket Half - Front w/Zerk Hole
12.	A2206	Grease Zerk - Long Shank
13.	A17509	Bushing, 2-3/4" OD x 2-1/4" ID x 2" Long

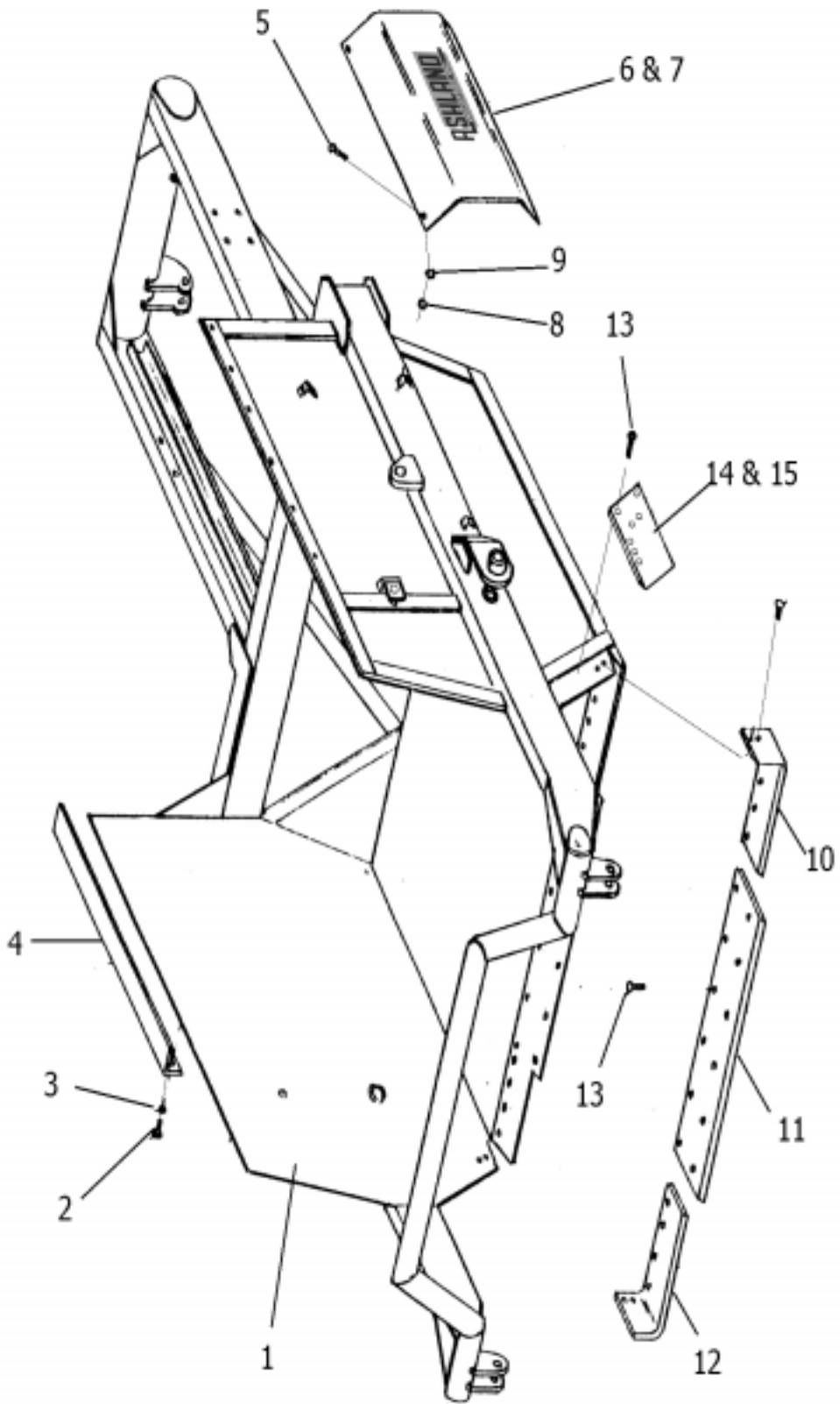
APRON ASSEMBLY



PARTS LIST APRON ASSEMBLY MODEL I-175

KEY NO.	PART NO.	DESCRIPTION
1.	A17505A	Apron
	A17505B	Apron Model, s/n 17719 & up
2.	AFN-00018	Self Lock Nut, 1-1/2" NF
3.	A17506A	Shoulder Pin, 2-1/4" x 1-1/2", w/ zerk in head
	-----	Bolt, 1-1/2"NF x 6" Lg., for s/n 17719 & up
4.	14505	Grease Fitting, 1/8" NPT
5.	A10155	Bushing, 1-1/2" OD x 1" ID x 1" Lg.
6.	A16027	Bushing, 2" OD x 1-1/2" ID x 2" Lg.

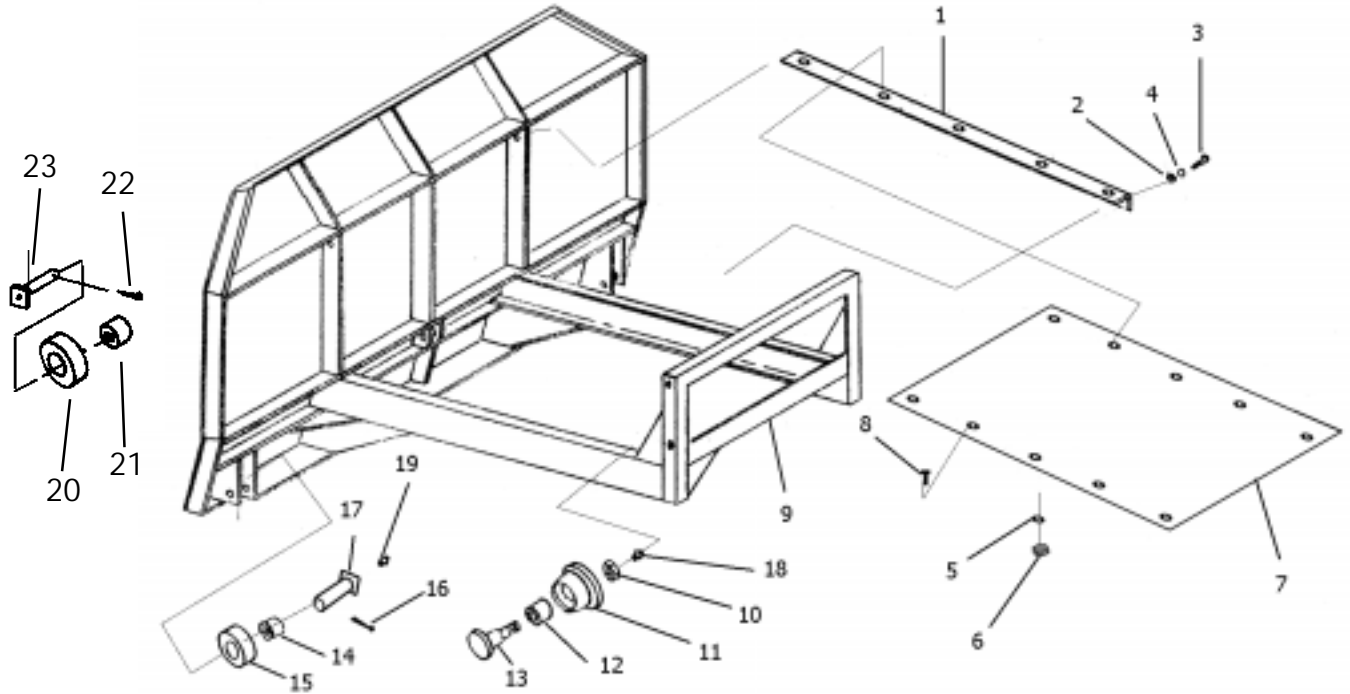
BOWL and FRAME ASSEMBLY



PARTS LIST
BOWL and FRAME ASSEMBLY

KEY NO.	PART NO.	DESCRIPTION
1.	A17503A A17503B	Bowl and Frame Bowl and Frame, s/n 17719 & up
2.	7115	Capscrew 5/8"NC x 1-1/4" Lg.
3.	8110	Lockwasher 5/8"
4.	A17504	Gate Containment Angle
5.	6835	Bolt 3/8"NC x 1" Lg.
6.	A10157	Cylinder Guard - Left Hand
7.	A10158	Cylinder Guard - Right Hand
8.	7450	Nut 3/8" NC
9.	8078	Lockwasher 3/8"
10.	A10011A	Left Cutting Edge
11.	A14029	Center Cutting Edge
12.	A10010A	Right Cutting Edge
13.	PB8P-NC-063-0250	Plow Bolt 5/8"NC x 2-1/2" Lg.
14.	A14031	Left Shaver Bit
	A14031A	Left Shaver Bit, after s/n 17580
15.	A14032	Right Shaver Bit
	A14032A	Right Shaver Bit, after s/n 17580

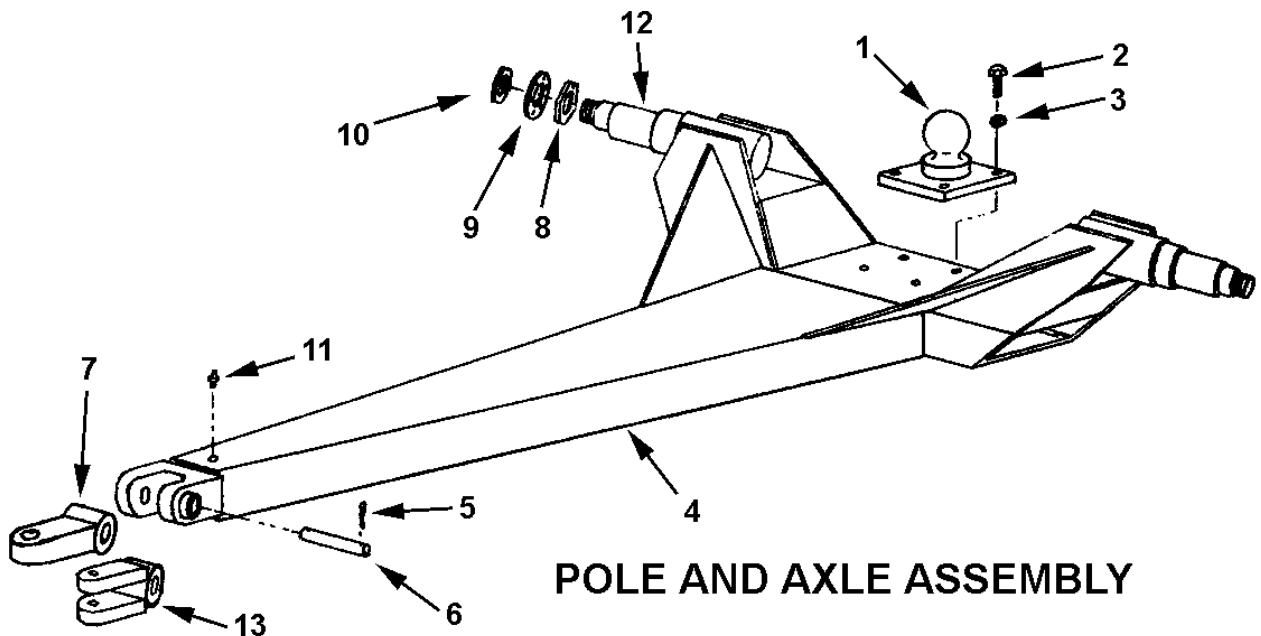
PUSH OFF GATE ASSEMBLY



PARTS LIST PUSH OFF ASSEMBLY MODEL I-175

KEY NO.	PART NO.	DESCRIPTION
1.	A14022	Brace
2.	AFN-00006	Nut 3/4" NC
3.	AFB-00037	Bolt 3/4" NC x 2" Lg.
4.	AFW-00002	Lockwasher 3/4"
5.	8078	Lockwasher 3/8"
6.	7450	Nut 3/8" NC
7.	A14023	Dirt Shield
8.	6835	Bolt 3/8 NC x 1" Lg.
9.	A17502	Pushoff Gate
10.	AFN-00024	Jam Nut 1-1/4" NF
11.	A10161	Roller - Rear Gate
12.	A10162	Bushing 2" OD x 1-5/8" ID
13.	A10008	Shoulder Pin 1-5/8" to 1-1/4" Zerk in Thread
14.	A10163	Bushing 1-3/4" OD x 1-1/4" ID
15.	A10164	Roller - Front Gate
16.	-----	Cotter Pin 1/4" x 2" Lg.
17.	A6007A	Pin 1-1/4" x 4-1/8" Lg.
18.	14505	Grease Fitting 1/8" NPT
19.	AHF-00028	Grease Fitting 1/8" NPT -90 degree
20.	A123289	Roller, 3-1/4" OD x 1-3/4" ID
21.	A123289-02	Bushing, 1-3/4" OD x 1-1/4" ID x 1-1/2" Lg.
22.	7115	Bolt, 5/8" NC x 1-1/4"
23.	A123288	Pin, 1-1/4" x 2-3/8" tab head

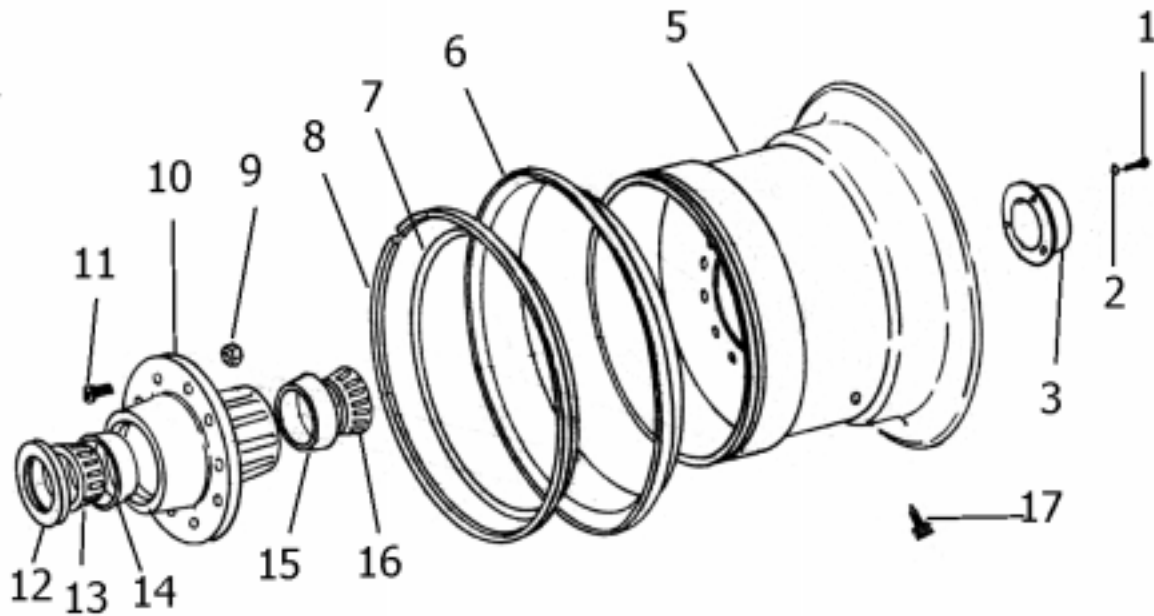
POLE and AXLE ASSEMBLY



PARTS LIST POLE and AXLE ASSEMBLY MODEL I-175

KEY NO.	PART NO.	DESCRIPTION
1.	A14017	Ball Swivel
2.	AFB-00018	Bolt 1" NC x 3" Long
3.	AFW-00006	Lockwasher 1"
4.	A17501	Pole
5.	AFB-00052	Bolt, 5/16" x 3" Long
	AFN-00016	Nut: 5/16" NC
6.	A14019	Pin 1-3/4" x 7-3/8" Long
7.	A17510	Swivel Hitch Single Lip
8.	A10172	Nut with Lock Pin
9.	A10049A	Lock Collar
10.	A10048	Spindle Nut
11.	14505	Grease Fitting
12.	A14021	Spindle (weld on)
13.	A17511	Swivel Hitch, Double Lip (optional)

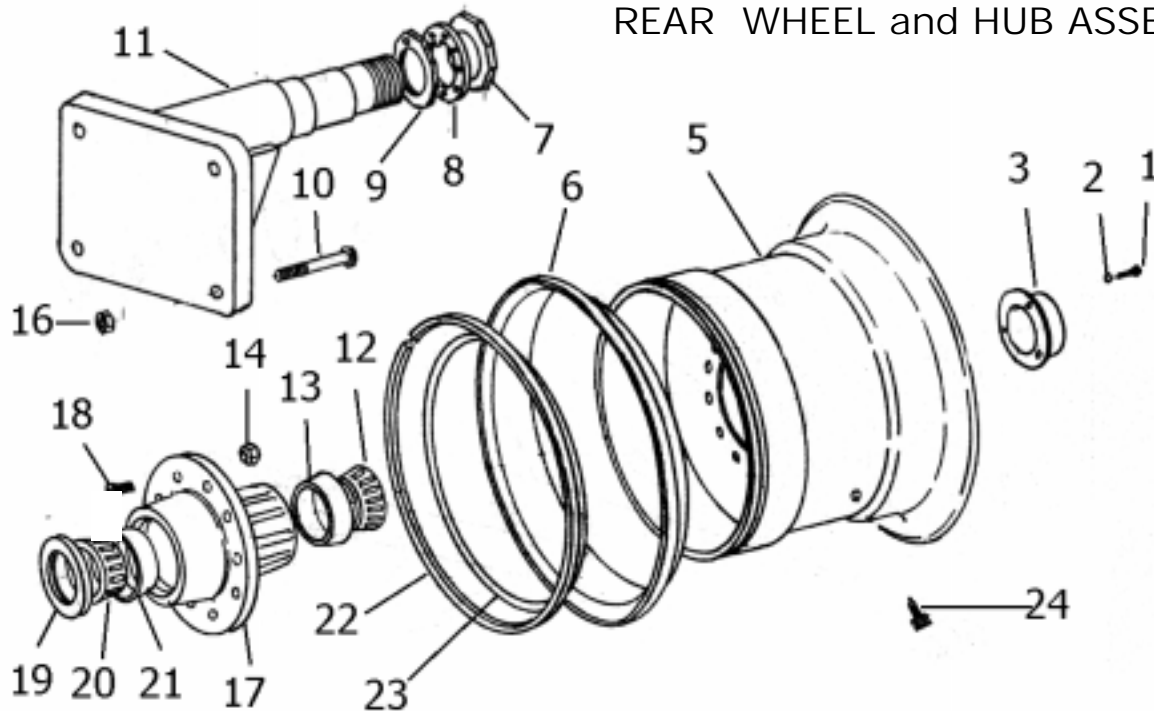
FRONT WHEEL and HUB ASSEMBLY



PARTS LIST FRONT WHEEL and HUB ASSEMBLY MODEL I-175

KEY NO.	PART NO.	DESCRIPTION
1.	AFB-00020	Bolt 5/16" NC x 3/4" Lg.
2.	8070	Lockwasher 5/16"
3.	A14004	Hub Cap
5.	A14006A	Wheel 14" x 25"
6.	A14007A	Side Ring for 14" x 25" Wheel
7.	A14008	"O" Ring
8.	A14009	Lock Ring
9.	A10046	Lug Nut
10.	A14010	Hub
11.	A10176	Stud
12.	A14011	Grease Seal (CR 42624)
13.	A14012	Bearing Cone (Timken 749)
14.	A14013	Bearing Cup (Timken 742)
15.	A14014	Bearing Cup (Timken 632)
16.	A14015	Bearing Cone (Timken 644)
17.	A14016	Valve Stem

REAR WHEEL and HUB ASSEMBLY

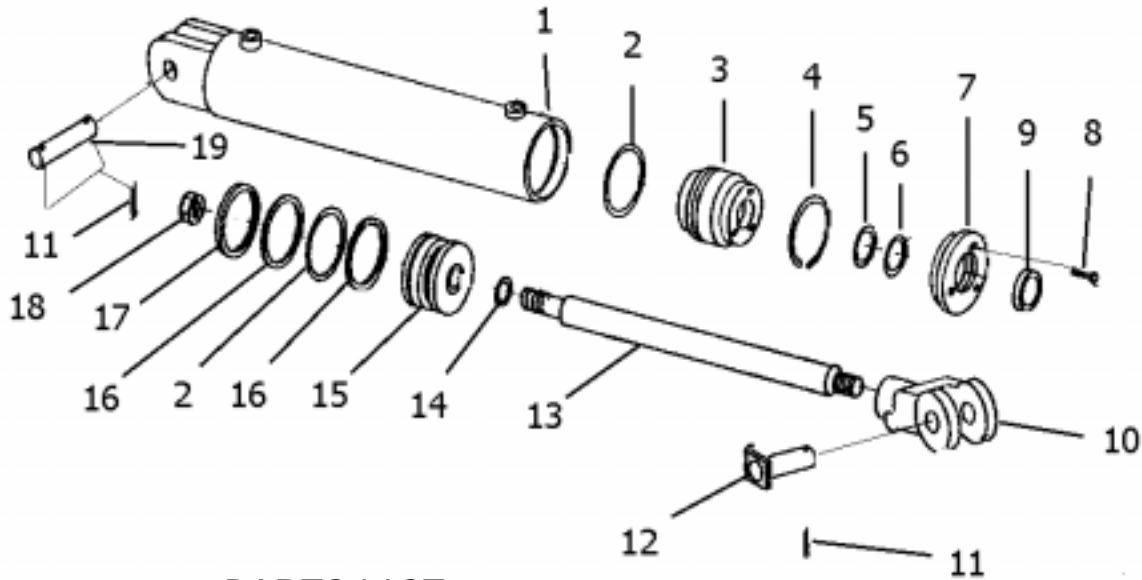


PARTS LIST

REAR WHEEL and HUB ASSEMBLY MODEL I-175

KEY NO.	PART NO.	DESCRIPTION
1.	AFB-00020	Bolt 5/16" NC x 3/4" Lg.
2.	8070	Lockwasher 5/16"
3.	A14004	Hub Cap
5.	A14035	Wheel 17" x 25"
6.	A14036	Side Ring
7.	A10048	Spindle Nut
8.	A10049A	Lock Collar
9.	A10172	Nut with Lock Pin
10.	AFB-00024	Bolt 1" NF x 7" Lg.
11.	A14037	Spindle
12.	A14015	Bearing Cone (Timken 644)
13.	A14014	Bearing Cup (Timken 632)
14.	A10046	Lug Nut
16.	AFN-00001	Nut 1" NF
17.	A14010	Hub
18.	A10176	Stud
19.	A14011	Grease Seal (CR 42624)
20.	A14012	Bearing Cone (Timken 749)
21.	A14013	Bearing Cup (Timken 742)
22.	A14038	Lock Ring
23.	A14008	"O" Ring
24.	A14016	Valve Stem

HYDRAULIC CYLINDER - A413H1, 4" X 13"
 APRON CIRCUIT, RIGHT SIDE



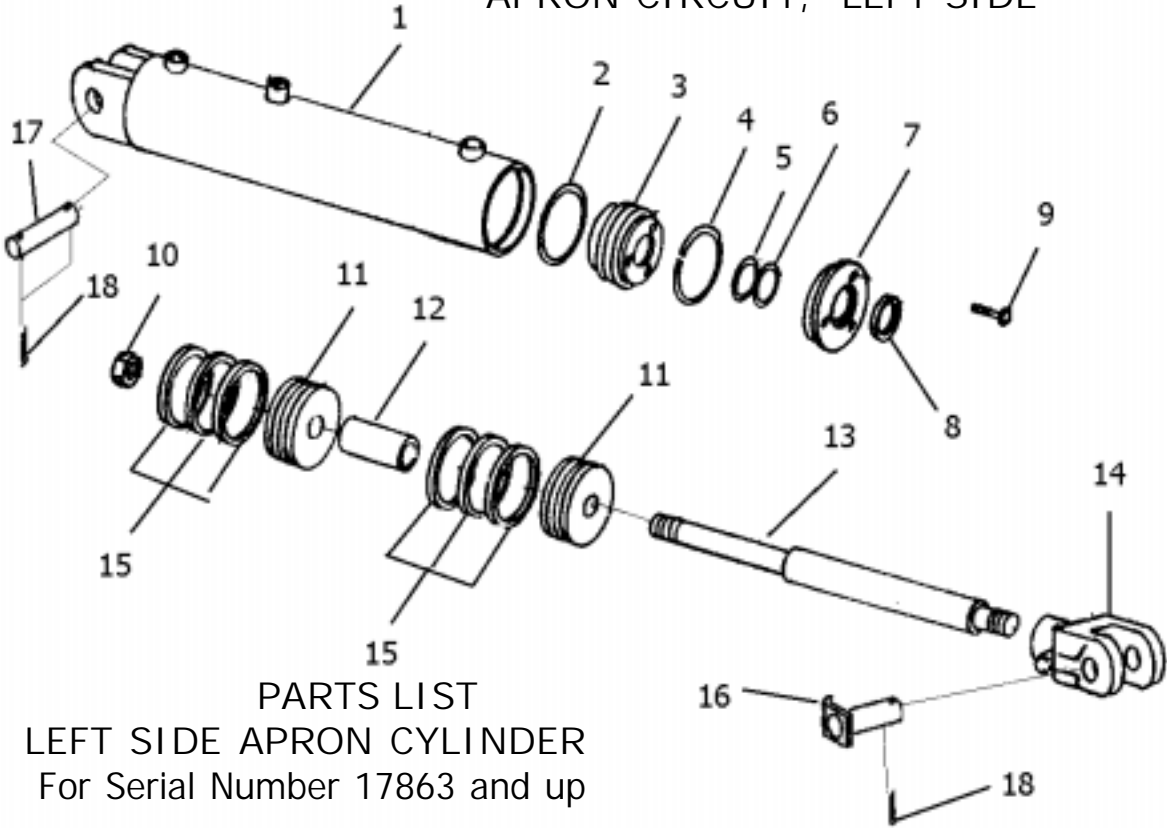
PARTS LIST

RIGHT SIDE APRON CYLINDER

For Serial Number 17863 and up

KEY NO.	PART NO.	DESCRIPTION
1.	A175H013	Cylinder Barrel
2.	A300H06	"O" Ring, 4" OD x 3/16"
3.	A300H11	Head Gland
4.	A300H12	Retainer Ring
5.	A22H15	"O" Ring, 1-1/2" ID x 1/8"
6.	A22H15A	Backup Washer, 1-1/2"
7.	A300H13	Gland Cap
8.	A22H18	Capscrew, 1/4" NC x 1"
9.	A22H17	Wiper Seal, 1-1/2" ID
10.	A12H03	Clevis End
11.	-----	Cotter Pin, 3/16" x 1-1/2"
12.	A10167	Pin, 1" x 3-1/16"
13.	A175H02	Shaft, 1-1/2" Dia.
14.	A45H05	Piston Gasket, 1"
15.	A300H07	Piston, 4" Dia.
16.	A300H05	Backup Washer, 4" OD
17.	A300H04	Cast Iron Ring, 4" OD
18.	A300H03	Piston Nut, 1" NF
19.	A1217	Pin, 1" x 3-1/2"
	A300H14B	Packing Kit, Containing:
		(1) A300H04 (2) A22H15
		(2) A300H05 (1) A22H15A
		(2) A300H06 (1) A22H17
		(1) A45H05

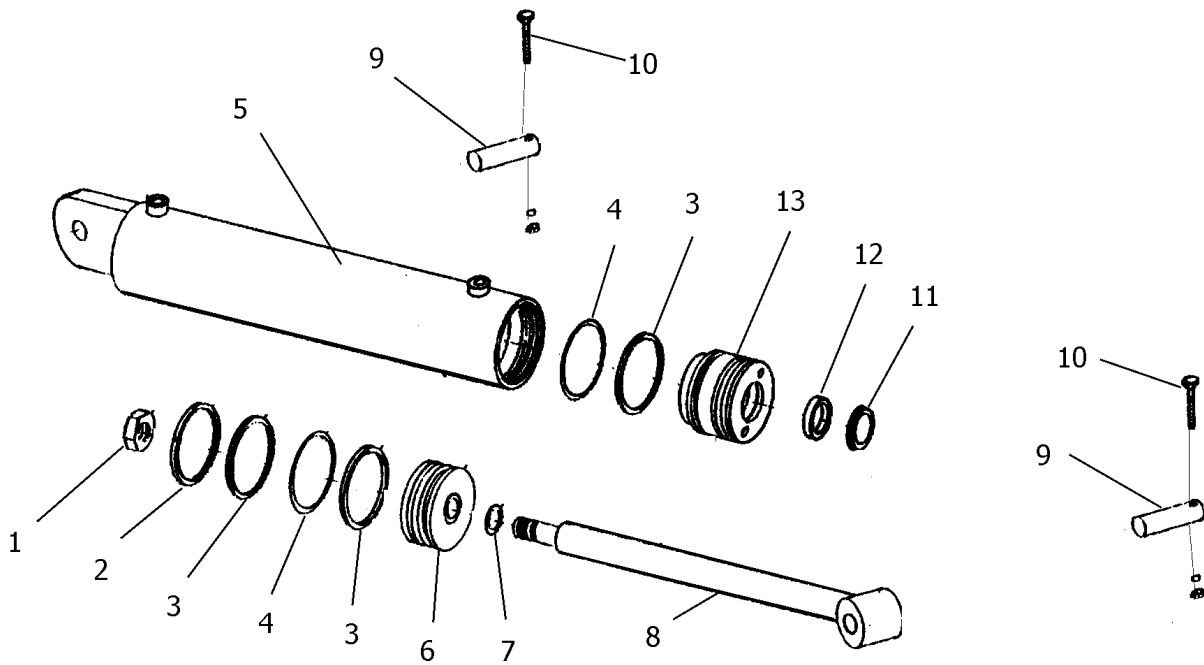
3 PORT HYDRAULIC CYLINDER - AS413H1, 4" X 13"
 APRON CIRCUIT, LEFT SIDE



PARTS LIST
 LEFT SIDE APRON CYLINDER
 For Serial Number 17863 and up

KEY NO.	PART NO.	DESCRIPTION
1.	A175H013	Cylinder Barrel
2.	A300H06	"O" Ring, 4" OD x 3/16"
3.	A300H11	Head Gland
4.	A300H12	Retainer Ring
5.	A22H15	"O" Ring, 1-1/2" ID x 1/8"
6.	A22H15A	Backup Washer, 1-1/2"
7.	A300H13	Gland Cap
8.	A22H17	Wiper Seal, 1-1/2" ID
9.	A22H18	Capscrew, 1/4" NC x 1"
10.	A300H03	Piston Nut
11.	A450H15	Piston, 4"
12.	A130H12	Piston Spacer
13.	A175H14	Shaft, 1-1/2"
14.	A12H03	Clevis End
15.	A300H04	Cast Iron Rings, 4" OD
16.	A10167	Pin, 1" x 3-1/16"
17.	A1217	Pin, 1" x 3-1/2"
18.	-----	Cotter Pin, 3/16" x 1-1/2"
	A130H23	Packing Kit, Containing:
	(6) A300H04	(1) A22H17
	(1) A22H15	(1) A22H15A
	(1) A300H06	

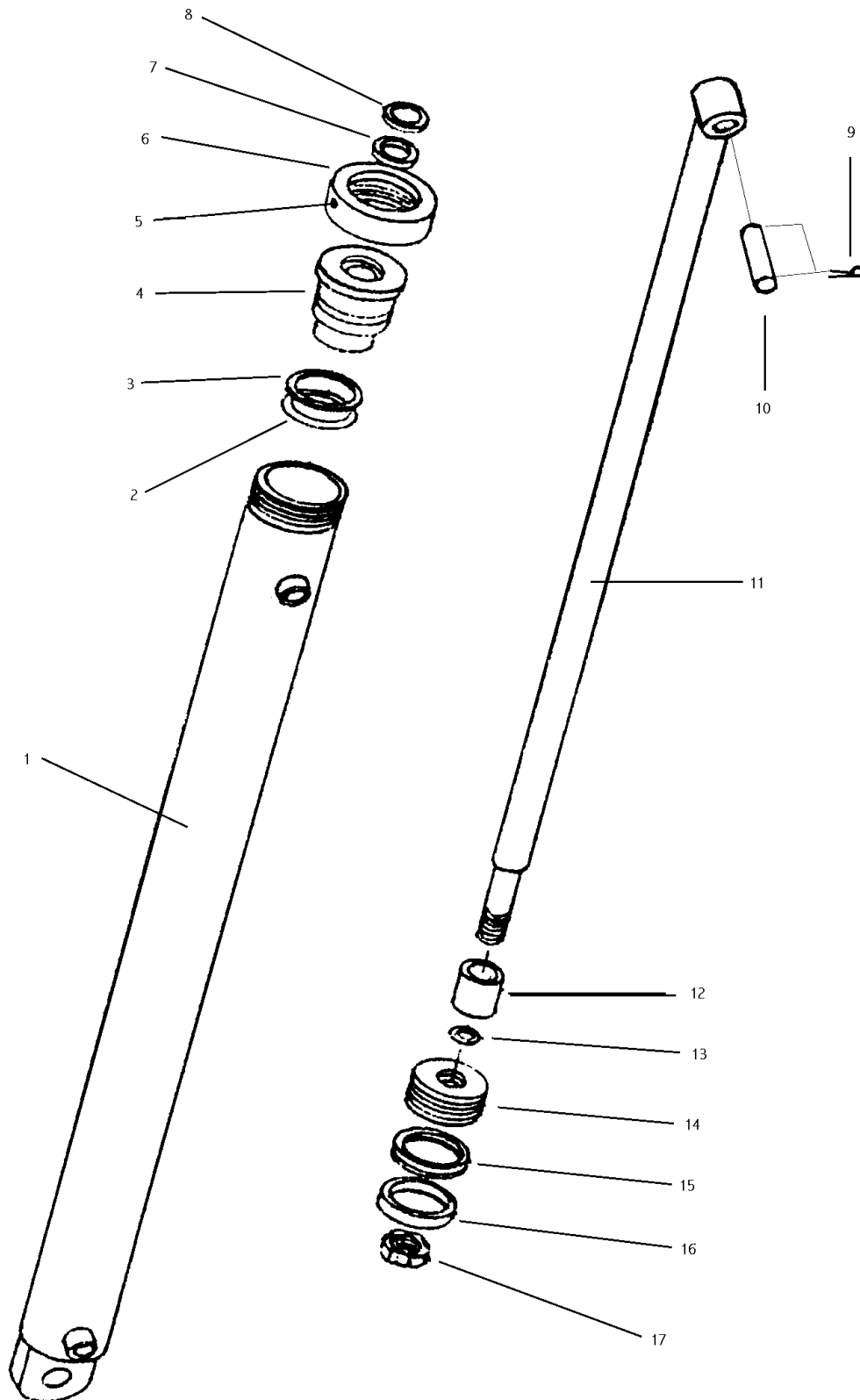
HYDRAULIC CYLINDER - A520H118 5" X 20"
LIFT CYLINDER



PARTS LIST
LIFT CYLINDER

KEY NO.	PART NO.	DESCRIPTION
1.	A400H17	Nut 1-1/4" NF, Lock Type
2.	A400H04	Cast Ring, 5" OD
3.	A400H05	Back-up Washer, 5" OD x 1/4"
4.	A400H06	"O" Ring, 5" OD x 1/4"
5.	A80H02A	Barrel Assembly with 1-1/4" holes
6.	A80H01	Piston, 5" OD
7.	A60H52	"O" Ring, 1-1/4" OD x 1/16"
8.	A80H08A	Shaft 2" Dia.
9.	A14033	Pin, 1-1/4" x 5" Lg.
10.	-----	Bolt 1/4" NC x 2" Lg. with Nut & Lockwasher
11.	A80H06	Wiper Seal 2" ID
12.	A80H04	Seal 2" ID
13.	A80H05A	Head Gland
	A80H07	Packing Kit, Containing:
	(1) A400H04	(1) A60H52
	(3) A400H05	(1) A80H04
	(2) A400H06	(1) A80H06

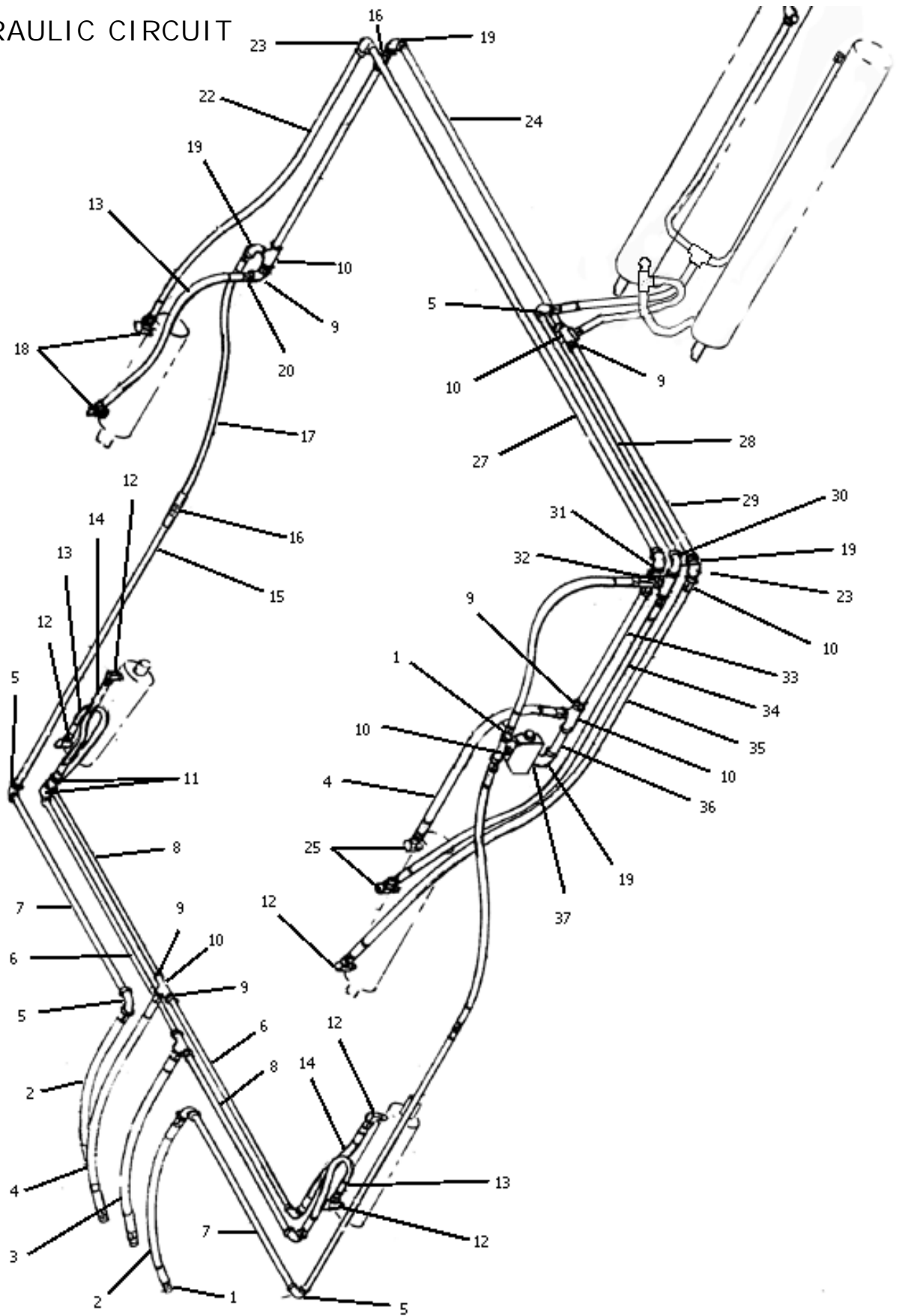
HYDRAULIC CYLINDER - A4560H114, 4-1/2" X 60"
MODEL I-175
PUSH OFF CYLINDER



PARTS LIST
 PUSH OFF CYLINDER, A4560H114, 4-1/2" x 60"
 For Serial Number 17488 and up
 MODEL I-175

KEY NO.	PART NO.	DESCRIPTION
1.	A175H08	Barrel Assembly, 4-1/2" Bore
2.	A175H03	"O" Ring, 4-1/2" OD x 4-1/8" ID
3.	A175H04	Back Up Washer, 4-1/2" OD x 4-1/8" ID
4.	A175H09	Head Gland
5.	-----	Set Screw, 3/8" NC
6.	A175H10	Collar
7.	A140H07	Shaft Seal, 2-1/2" ID, OU-Cup
8.	A140H08	Wiper Seal
9.	-----	Cotter Pin, 3/16" x 2"
10.	A10038	Pin, 1-1/4" Dia. x 4-1/4" Lg.
11.	A175H11	Shaft, 2-1/2" Dia.
12.	A175H06	Spacer
13.	A22H15	"O" Ring, 1-1/2" x 1-3/4" OD
14.	A175H12	Piston
15.	A175H05	Piston Seal, 4-1/2" OD
16.	A175H07	Wear Ring, 4-1/2" OD
17.	AFN-00018	Nut, Lock Type, 1-1/2" NF
	A175H15	Packing Kit, Containing:
		(1) A175H03 (1) A175H04
		(1) A140H07 (1) A140H08
		(1) A22H15 (1) A175H05
		(1) A175H07

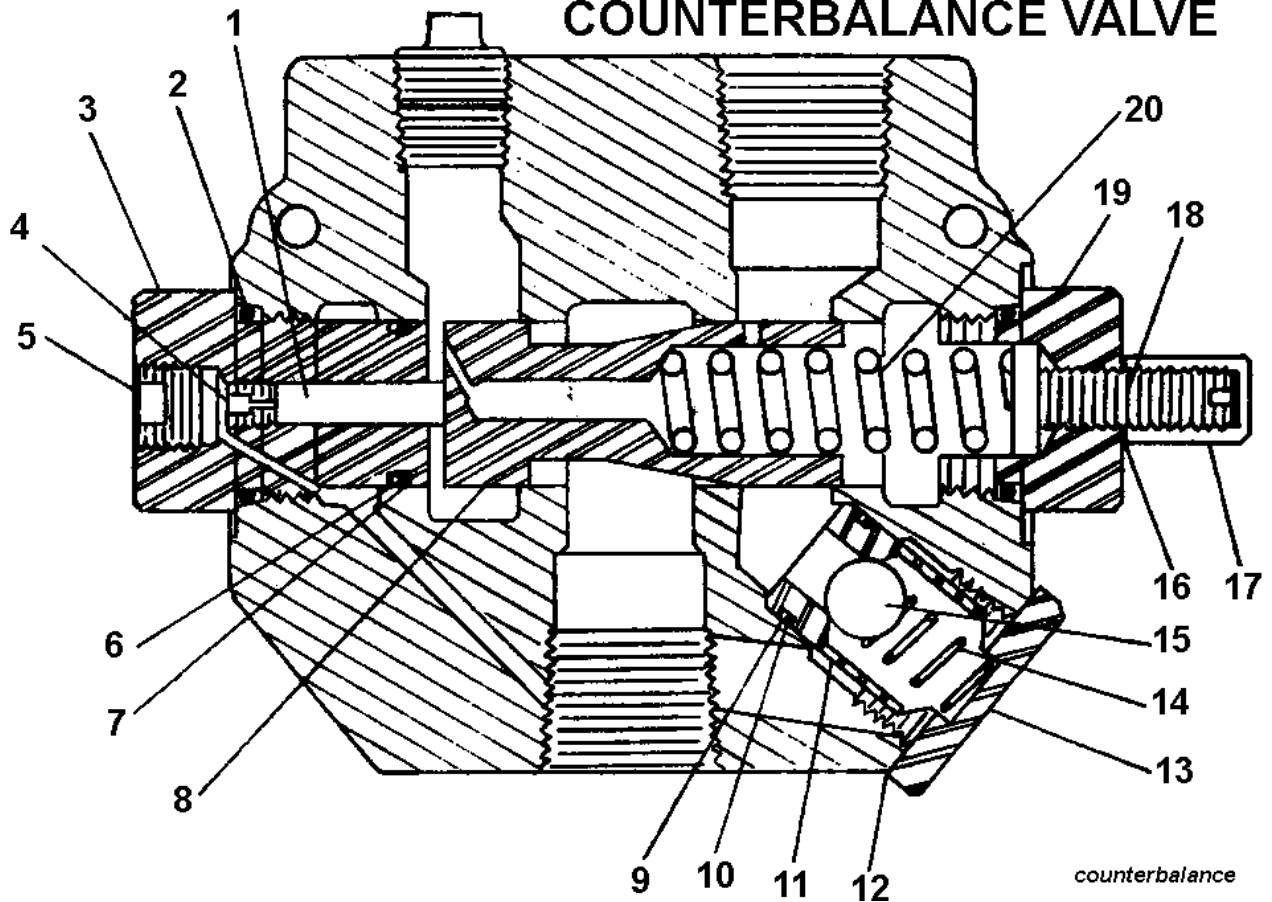
HYDRAULIC CIRCUIT



HYDRAULIC CIRCUIT PARTS LIST

KEY NO.	# REQ'D	PART NO.	DESCRIPTION
1.	7	A101H72	Swivel Adapter, Str. 3/4" Male x Female
2.	2	A101H32	Hose, 3/4" x 21" Long
3.	2	A101H46	Hose, 3/4" x 24-1/2" Long
4.	2	A101H31A	Hose, 3/4" x 27" Long
5.	5	-----	Elbow, 90 degree x 3/4" NPT, Steel
6.	2	-----	Pipe, 1/2" x 43" Long
7.	2	-----	Pipe, 3/4" x 53-1/2" Long
8.	2	-----	Pipe, 1/2" x 40-3/4" Long
9.	11	-----	Pipe Bushing, 1/2" NPT x 3/4" NPT
10.	9	-----	Pipe Tee
11.	4	-----	Elbow, 90 degree, 1/2" NPT, Cast
12.	5	A400H02	Swivel adapter, 90 degree, 1/2" NPT x 1/2" NPT
13.	3	A60H01A	Hose, 1/2" x 18" Long
14.	2	A45H06	Hose, 1/2" x 24" Long
15.	2	-----	Pipe, 3/4" x 80" Long
16.	3	A101H35	Swivel Adapter, Str. Female to Female, 3/4" NPT
17.	1	A101H36	Hose, 3/4" x 33" Long
18.	2	A45H07	Swivel Adapter, 90 degree, 3/8" NPT x 1/2" NPT
19.	4	-----	Street Elbow, 3/4" NPT
20.	1	-----	Street Elbow, 45 degree, 1/2" NPT
21.	1	-----	Pipe, 3/4" x 36-1/2" Long
22.	1	A80H29	Hose, 1/2" x 46" Long
23.	2	-----	Elbow, 90 degree, 1/2" NPT, Steel
24.	1	-----	Pipe, 3/4" x 61" Long
25.	2	A101H77	Swivel Adapter, 90 degree, 3/4" NPT
26.	1	A140H17A	Hose, 3/4" x 77" Long
27.	1	-----	Pipe, 1/2" x 107-1/2" Long
28.	1	-----	Pipe, 3/4" x 50-1/2" Long
29.	1	-----	Pipe, 1/2" x 46" Long
30.	1	A101H73	Street Elbow, 90 degree, 1/2" NPT, Steel
31.	1	A101H74	Swivel Adapter, Str. 1/2" NPT Female to Female
32.	1	A101H75	Check Valve
33.	1	-----	Pipe, 1/2" x 12" Long
34.	1	A130H22	Hose, 3/4" x 48" Long
35.	1	A140H19	Hose, 1/2" x 60" Long
36.	1	-----	Pipe, 3/4" x 5-3/4" Long
37.	1	A101H48	Counterbalance Valve
38.	1	A101H42	Hose, 3/4" x 42" Long
39.	1	A101H37	Hose, 3/4" x 18" Long

COUNTERBALANCE VALVE



KEY NO.	PART NO.	DESCRIPTION
1	A101H49	Piston
2	A101H50	O-ring
3	A101H51	External pilot plug
4	A101H52	Orifice
5	A101H53	Plug
6	A101H54	O-ring
7	A101H55	Backup washer
*8	A101H56	Metering spool
9	A101H57	Backup washer
10	A101H58	O-ring
11	A101H59	Check seat
12	A101H60	Aluminum washer
13	A101H61	Check plug
14	A101H62	Check spring
15	A101H63	Check ball
16	A101H64	Aluminum washer
17	A101H65	Acorn nut
18	A101H66	Adjusting screw
19	A101H67	Adjusting plug - RD1075 CB
20	A101H68	Metering spring
*	A101H71	Valve body

* NOT SOLD SEPARATELY

COUNTERBALANCE VALVE

PURPOSE of the counterbalance valve is to prevent the front gate from closing before the rear pushgate is fully retracted when the scraper is empty. This enables the operator to start the next cut without having to reopen the gate from the closed position.

INSTRUCTIONS for establishing counterbalance valve setting:

When properly adjusted, the front gate will close 58% from full open position (26-1/2" from bottom of gate to cutting edge) and hold at that position until the rear pushgate is fully retracted. If the front gate is closing more than 58%, remove the acorn cap nut and turn the adjusting screw clockwise until the front gate holds at that position. Turn an additional 1/4 turn clockwise, then tighten the lock nut. DO NOT turn the adjusting screw more than is necessary to hold the front gate at 58% open.

Limited Warranty Statement

Ashland Industries Inc. warrants each new product to be free from defects in material and workmanship. This warranty is applicable only for the normal service life expectancy of the product or components, not to exceed six consecutive months from the date of delivery of the new Ashland Industries product to the original purchaser, or the date the product is first put into service via a rental agreement or other means, whichever occurs first.

Genuine Ashland Industries Inc. replacement parts and components will be warranted for 30 days from date of purchase, or the remainder of the original equipment warranty period, whichever is longer.

Under no circumstances will it cover any merchandise or components thereof, which in the opinion of the company, has been subjected to misuse, unauthorized modification, alterations, an accident or if repairs have been made with parts other than those obtained through Ashland Industries Inc.

Ashland Industries Inc. in no way warrants Tires since these items are warranted separately by their respective manufacturer. Please call Ashland Industries Inc. to receive phone numbers of tire suppliers.

Ashland Industries Inc. in no way warrants wearable items such as cutting edges, front dolly wheel balls, socket halves.

Our obligation under this warranty shall be limited to repairing or replacing, free of charge to the original purchaser, any part that, in our judgement, shall show evidence of such defect, provided further that such part shall be returned within 30 days from the date of failure to Ashland Industries Inc. routed through the dealer and distributor from whom the purchase was made, transportation charges prepaid. Upon warranty approval proper credits will be reimbursed for transportation.

This warranty shall not be interpreted to render Ashland Industries Inc. liable for injury or damages of any kind or nature to person or property. This warranty does not extend to the loss revenue, extra labor cost associated with downtime, substitute machinery, rental or for any other reason.

Except as set forth above, Ashland Industries Inc. shall have no obligation or liability of any kind on account of any of its equipment and shall not be liable for special or consequential damages. Ashland Industries Inc. make no other warranty, expressed or implied, and, specifically, Ashland Industries Inc. disclaims any implied warrant or merchantability or fitness for a particular purpose. Some states or provinces do not permit limitations or exclusions of implied warranties or incidental or consequential damages, so the limitations or exclusion in this warranty may not apply.

This warranty is subject to any existing conditions of supply which may direct affect our ability to obtain materials or manufacture replacement parts.

Ashland Industries Inc. reserves the right to make improvements in design or changes in specifications at any time, without incurring any obligation to owners of units previously sold

No one is authorized to alter, modify or enlarge this warranty nor the exclusion, limitations and reservations.

Ashland Industries Inc.
Warranty Department