

# ***Ashland*** **INDUSTRIES, INC.™**

*Quality  
Equipment  
Since  
1953*

## **I-160** **PARTS MANUAL**

**Version 4-04**



Ashland Industries Inc.  
1115 Rail Drive  
P.O. Box 717  
Ashland, WI. 54806  
Ph: 877-634-4622 *Toll Free*  
Ph: 715-682-4622  
Fx: 715-682-9717  
[www.ashlandind.com](http://www.ashlandind.com)

MEMBER



CONSTRUCTION INDUSTRY  
MANUFACTURERS ASSOCIATION



### HOW TO ORDER PARTS:

#### IMPORTANT

Parts must be ordered through your local authorized ASHLAND dealer.

Be sure to state MODEL and SERIAL NUMBER of your machine, PART NUMBER, DESCRIPTION and QUANTITY needed.

Unless this is done, we cannot provide prompt service or assure shipment of the correct parts.



Ashland Industries weldable replacement parts are available to rebuild, modify or update your scraper to current factory specifications.

### INDEX

Page 3-4.	Assembly Instructions
Page 5.	Operators and Maintenance Instructions
Page 6.	Safety Guidelines
Page 7.	Illustration - Assembly
Page 8.	Illustration - Gooseneck Frame Assembly
Page 9.	Illustration - Apron Assembly
Page 10.	Illustration - Bowl and Frame Assembly
Page 11.	Parts List - Bowl and Frame
Page 12.	Illustration and Parts List - Push Off Gate Assembly
Page 13.	Illustration and Parts List - Pole and Axle Assembly
Page 14.	Illustration and Parts List - Front Wheel and Hub Assembly
Page 15.	Illustration and Parts List - Rear Wheel and Hub Assembly
Page 16.	Illustration and Parts List - Hydraulic Cylinder 4" x 13" Right
Page 17.	Illustration and Parts List - Hydraulic Cylinder 4" x 13" Left
Page 18.	Illustration and Parts List - Hydraulic Cylinder 5" x 20" Lift Cyl
Page 19.	Illustration - Hydraulic Cylinder 4-1/2" x 60"
Page 20.	Parts List - Hydraulic Cylinder 4-1/2" x 60"
Page 21.	Illustration - Hydraulic Circuit
Page 22.	Parts List - Hydraulic Circuit
Page 23.	Warranty Statement

## **ASSEMBLY INSTRUCTIONS MODEL I-160 SCRAPER**

1. A suitable hoist should be available for assembly.
2. Install 20.5 x 25 rim mounted tires to rear hubs.
3. Install gooseneck frame to bowl and frame assembly with two A10152A pins, frame attach.
4. Install 15.5 x 25 rim mounted tires to pole and axle assembly.
5. Raise the front frame and remove the two 3/4" x 4-1/2" bolts which hold the cast socket halves inside the gooseneck post and remove the socket halves.
6. Roll the pole and axle under the gooseneck and place the cast socket halves around the ball swivel on the axle, with the socket half with the threaded hole towards the front. Lower the frame into place so that the socket halves seat into the gooseneck. (If necessary, clamp halves together with a C-clamp while lowering the gooseneck.) Replace the two 3/4" x 4-1/2" bolts and tighten securely install A2206 long shank grease fitting into the threaded hole.
7. Raise the bowl by the front cross member tube, high enough to install two A10153 transport lock pins with the hair pin clips. Lower the bowl until the ears rest on the lock pins.
8. Install apron to bowl with two 1-1/2" x 6" NF grade 8 bolts and two 1-1/2" NF self lock nuts.
9. Connect apron cylinders to apron arms with a A10167 pin and cotter pin.
10. Install lift cylinders, connect the base to the gooseneck frame and the rod end to the bowl frame using two A6007A square head pins and 1/4" x 2" bolts.
11. Install four 3/4" bulkhead unions thru bulkhead plate with lock nuts on the front side of the plate. Connect two A101H32, 3/4" x 21" long hoses to the two 3/4" elbows on top of the front crossmember and to the two bottom bulkhead unions. (These two lines are to be connected to the same spool on the control valve on the tractor.) Refer to Pages 17 and 18 in the parts manual.
12. Connect two 3/4" x 25-1/2" hose to the two 3/4" inch tees on the front crossmember and to the two top bulkhead unions. (These two lines are to be connected to the spool on the control valve on the tractor.)

## **ASSEMBLY INSTRUCTIONS (continued)**

13. Connect two A45H06 1/2" x 24" hoses to the two lift cylinder bases. Connect two A140H16 1/2" x 33" hoses from the cylinder rod ends to the two most rearward 1/2" elbows on front crossmember which is one common line. Connect the two hoses from the cylinder base ends to the two remaining 1/2" elbows which is also on common line.
14. Remove the dirt shield from the left side of the scraper and remove and discard the hex plug installed in the 3/4" elbow. Connect one end of the A101H42 3/4" straight adapter on the front frame. Reinstall dirt shield.
15. Remove and discard the hex plug from the 3/4" elbow located on right side of the scraper behind the apron cylinder. Connect one end of the A101H36 3/4" x 33" long straight adapter on the front frame. Install the dirt shield.

Care should be taken to make sure all plastic plugs are removed from all hoses and fittings and no dirt is allowed into the hydraulic circuit.

# **OPERATORS AND MAINTENANCE INSTRUCTIONS**

This scraper is a durable piece of equipment and with proper care will yield many years of trouble free operation. The scraper requires a power source with TWO 4 way (double acting) hydraulic control valves.

The scraper should be greased at all points where grease fittings are provided. Connect hydraulic hoses to the tractor and retract lift cylinders to **REMOVE TRANSPORT LOCK PINS** (point A), then extend and retract all cylinders several times to force out any air from the hydraulic cylinders and lines. Check the oil levels in the tractor hydraulic system and add to maintain the proper level. Care should be used when adding oil or when disconnecting any oil line to keep all dirt out of the oil as dirt is a major factor in the failure of hydraulic components.

When the scraper is placed into operation, the operator will have to "feel out" the amount of depth of cut to obtain maximum loading efficiency. This is usually accomplished by taking a lesser and more uniform cut; however, some soil conditions such as loose sand may require a "pumping action" obtained by taking successive deep cuts and lifting out of cut as the tractor begins to lose power or traction.

1. After 10 hours work, all bolts should be checked and tightened if necessary.
2. Every 10 hours all grease fittings should be lubricated.
3. After 50 hours work, all bolts should be rechecked and tightened if necessary. Check wheel bearings and adjust if necessary.
4. After 300 hours work, clean and repack wheel bearings and replace, if necessary, cutting edges, worn pins, etc.



## SAFETY SIGNAL WORDS

Note the use of the signal words *DANGER*, *WARNING* and *CAUTION* with the safety messages. The appropriate signal word for each has been selected using the following guidelines:

**DANGER:** Indicates an imminently hazardous situation that, if not avoided, will result in death or serious injury. This signal word is to be limited to the most extreme situations typically for machine components which, for functional purposes, cannot be guarded.



**WARNING:** Indicates a potentially hazardous situation that, if not avoided, could result in death or serious injury, and includes hazards that are exposed when guards are removed. It may also be used to alert against unsafe practices.



**CAUTION:** Indicates a potentially hazardous situation that, if not avoided, may result in minor or moderate injury. It may also be used to alert against unsafe practices.



## GENERAL SAFETY GUIDELINES

Safety of the operator is one of the main concerns in designing and developing a new piece of equipment. Designers and manufacturers build in as many safety features as possible. However, every year many accidents occur which could have been avoided by a few seconds of thought and a more careful approach to handling equipment. You, the operator, can avoid many accidents by observing the following precautions in this section. To avoid personal injury, study the following precautions and insist those working with you, or for you, follow them.

Replace any CAUTION, WARNING, DANGER or instruction safety decal that is not readable or is missing. Location of such decals is indicated in this booklet.

Do not attempt to operate this equipment under the influence of drugs or alcohol.

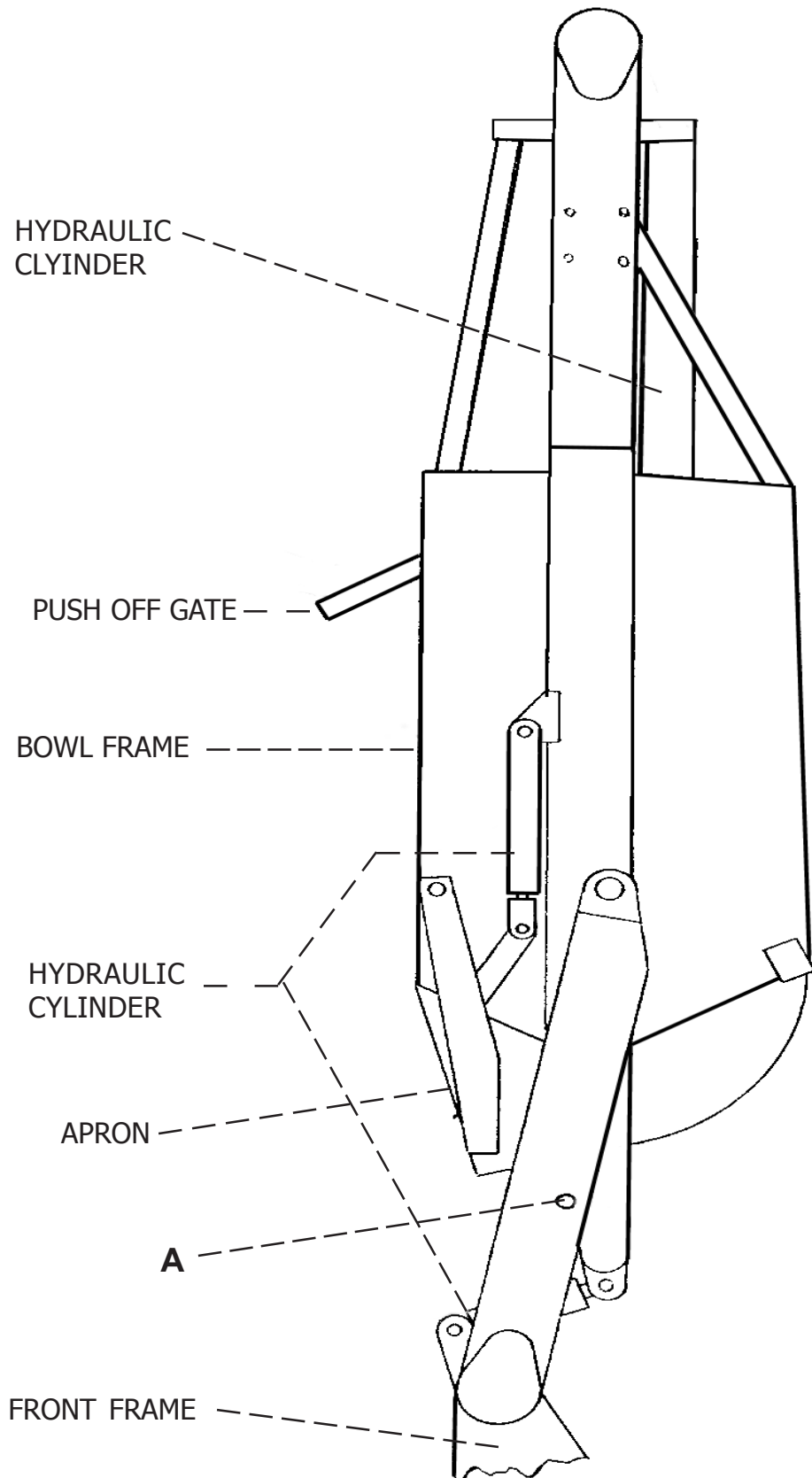
Review the safety instructions with all users annually.

This equipment is dangerous to children and persons unfamiliar with its operation. The operator should be a responsible adult familiar with farm machinery and trained in this equipment's operations. **Do not allow persons to operate or assemble this unit until they have read this manual and have developed a thorough understanding of the safety precautions and of how it works.**

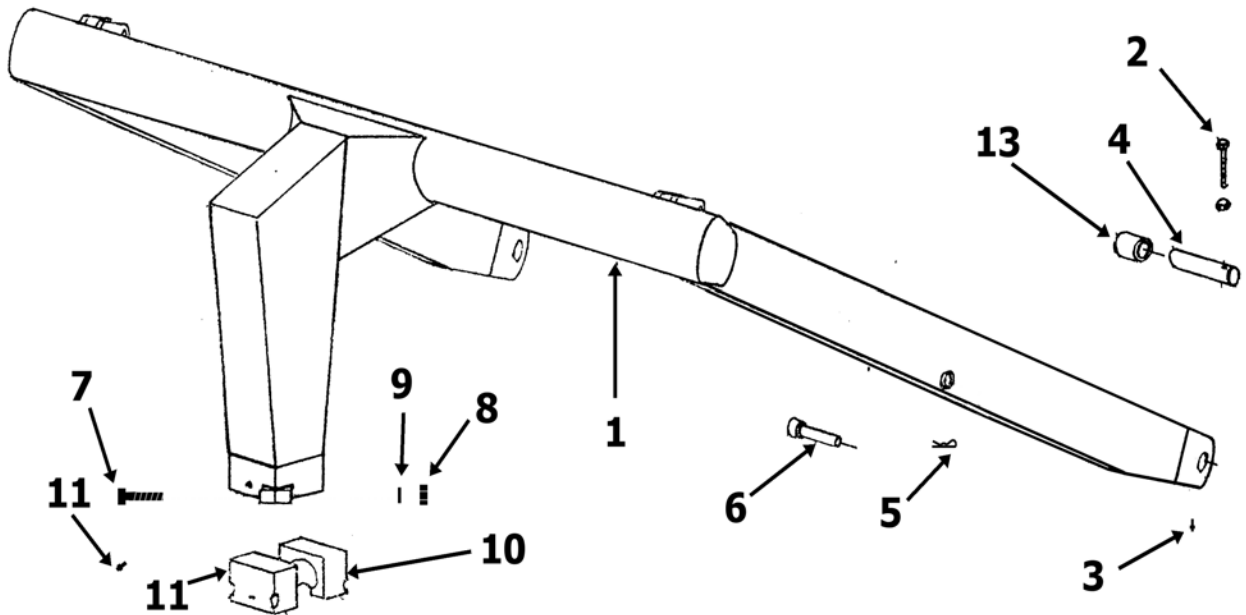
To prevent injury or death, use a tractor equipped with a Roll Over Protective System (ROPS). Do not paint over, remove or deface any safety signs or warning decals on your equipment. Observe all safety signs and practice the instructions on them.

Never exceed the limits of a piece of machinery. If its ability to do a job, or to do so safely, is in question - **DON'T TRY IT.**

# ILLUSTRATION \* ASSEMBLY



## GOOSENECK FRAME ASSEMBLY

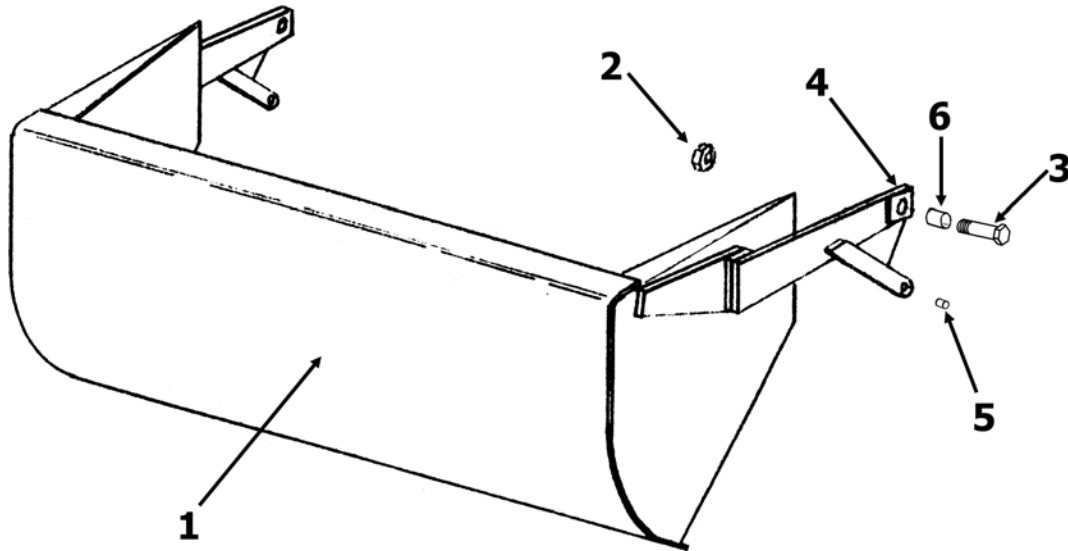


### PARTS LIST GOOSENECK FRAME ASSEMBLY MODEL I-160

<b>KEY NO.</b>	<b>PART NO.</b>	<b>DESCRIPTION</b>
1.	A14001B	Gooseneck Frame for serial number 17815 and up
2.	-----	Bolt, 1/2" NC x 3-1/2" Lg.
3.	-----	Grease Zerk - Straight
4.	A10152A	Pin, Frame Attach
5.	-----	Hair Pin
6.	A10153	Pin, Transport Lock
7.	-----	Bolt, 7/8"NF x 5" Lg. Grade 8
8.	-----	Nut, 7/8"NF
9.	-----	Lockwasher 7/8"
10.	A14002	Cast Socket Half - Rear
11.	A14003	Cast Socket Half - Front w/Zerk Hole
12.	A2206	Grease Zerk - Long Shank
13.	A14039	Bushing, 2-3/8" OD x 2" ID x 2" Long



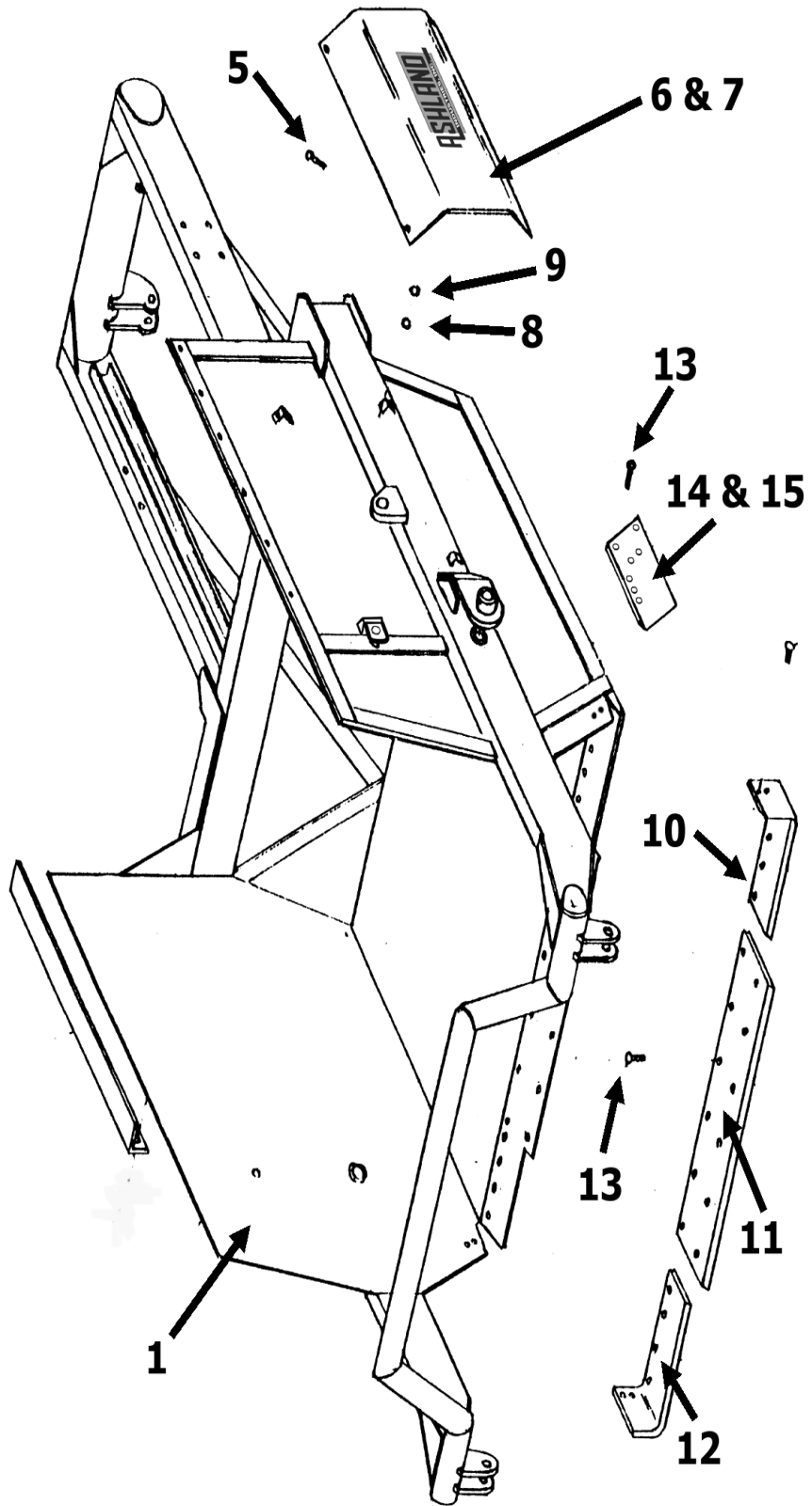
## APRON ASSEMBLY



### PARTS LIST APRON ASSEMBLY MODEL I-160

<b>KEY NO.</b>	<b>PART NO.</b>	<b>DESCRIPTION</b>
1.	A16025A	Apron Model I-160, s/n 17332 to 17581
	A16025B	Apron Model I-160, s/n 17642 to 17697
	A16025C	Apron Model I-160, s/n 17698 and up
2.	AFN-00009	Self Lock Nut, 1-1/4"NF
	AFN-00018	Self Lock Nut, 1-1/2" NF
3.	A6010	Shoulder Pin, 1-5/8" x 1-1/4", up to s/n. 17130
	A17506	Shoulder Pin, 2-1/4" x 1-1/4", s/n 17332 to 17581
	A17506A	Shoulder Pin, 2-1/4" x 1-1/2", s/n 17642 to 17697
	-----	Bolt, 1-1/2"NF x 6" Lg., for s/n 17698 and above
4.	14505	Grease Fitting, 1/8" NPT
5.	A10155	Bushing, 1-1/2" OD x 1" ID x 1" Lg.
6.	A16027	Bushing, 2" OD x 1-1/2" ID x 2" Lg. for s/n 17698 and above

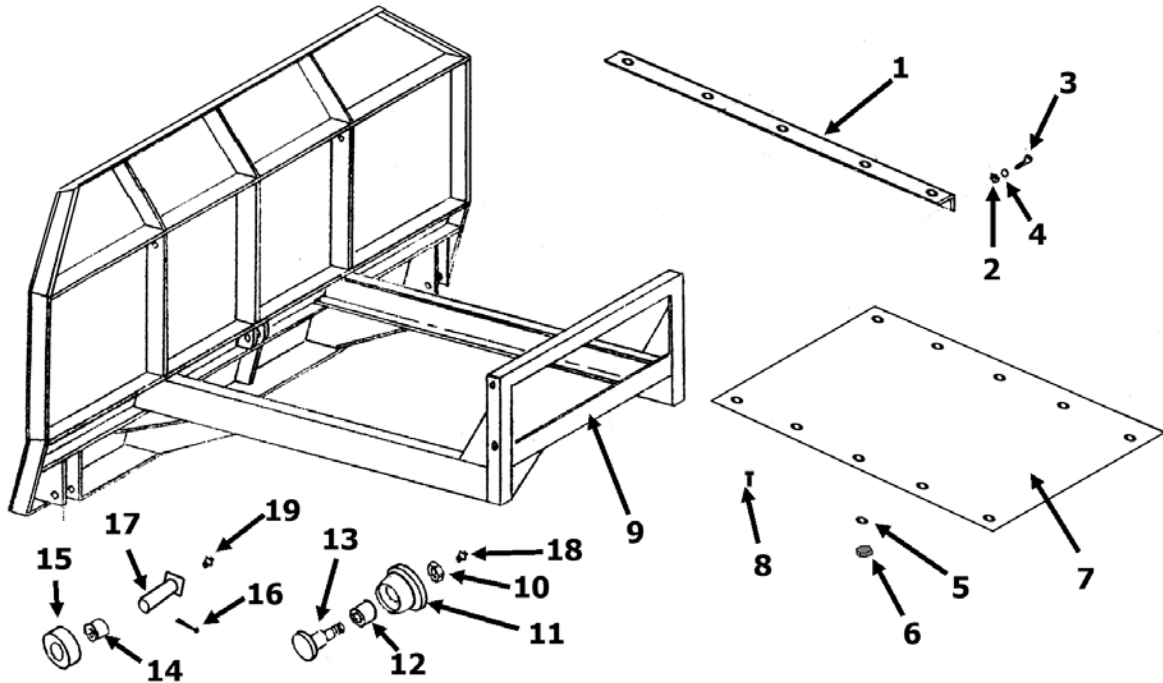
# BOWL and FRAME ASSEMBLY



**PARTS LIST**  
**BOWL and FRAME ASSEMBLY**

<b><u>KEY NO.</u></b>	<b><u>PART NO.</u></b>	<b><u>DESCRIPTION</u></b>
1.	A16026A	Bowl and Frame, Model I-160 - serial number 17332 to 17581
	A16026B	Bowl and Frame, Model I-160 - serial number 17642 to 17697
	A16026C	Bowl and Frame, Model I-160 - serial number 17698 and up
5.	6835	Bolt 3/8"NC x 1" Lg.
6.	A10157	Cylinder Guard - Left Hand
7.	A10158	Cylinder Guard - Right Hand
8.	7450	Nut 3/8" NC
9.	8078	Lockwasher 3/8"
10.	A10011A	Left Cutting Edge
11.	A14029	Center Cutting Edge
12.	A10010A	Right Cutting Edge
13.	PB8P-NC-063-0250	Plow Bolt 5/8"NC x 2-1/2" Lg.
14.	A14031	Left Shaver Bit - serial number up to 17581
	A14031A	Left Shaver Bit - serial number 17642 and up
15.	A14032	Right Shaver Bit - serial number up to 17581
	A14032A	Right Shaver Bit - serial number 17642 and up

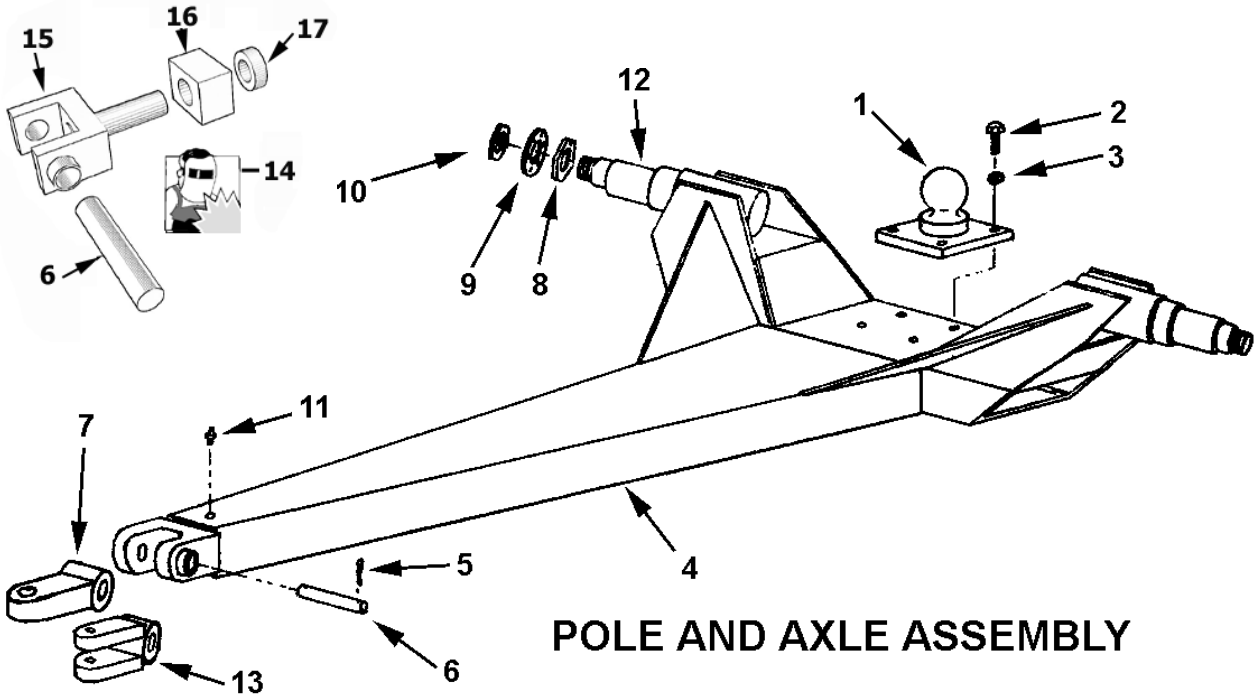
## PUSH OFF GATE ASSEMBLY



### PARTS LIST PUSH OFF ASSEMBLY MODEL I-160

<b>KEY NO.</b>	<b>PART NO.</b>	<b>DESCRIPTION</b>
1.	A14022	Brace
2.	AFN-00006	Nut 3/4" NC
3.	AFB-00037	Bolt 3/4" NC x 2" Lg.
4.	AFW-00002	Lockwasher 3/4"
5.	8078	Lockwasher 3/8"
6.	7450	Nut 3/8" NC
7.	A14023	Dirt Shield
8.	6835	Bolt 3/8 NC x 1" Lg.
9.	A16024	Pushoff Gate, Model I-160
10.	AFN-00024	Jam Nut 1-1/4" NF
11.	A10161	Roller - Rear Gate
12.	A10162	Bushing 2" OD x 1-5/8" ID
13.	A10008	Shoulder Pin 1-5/8" to 1-1/4" Zerk in Thread
14.	A10163	Bushing 1-3/4" OD x 1-1/4" ID
15.	A10164	Roller - Front Gate
16.	-----	Cotter Pin 1/4" x 2" Lg.
17.	A6007A	Pin 1-1/4" x 4-1/8" Lg.
18.	14505	Grease Fitting 1/8" NPT
19.	AHF-00028	Grease Fitting 1/8" NPT -90 degree

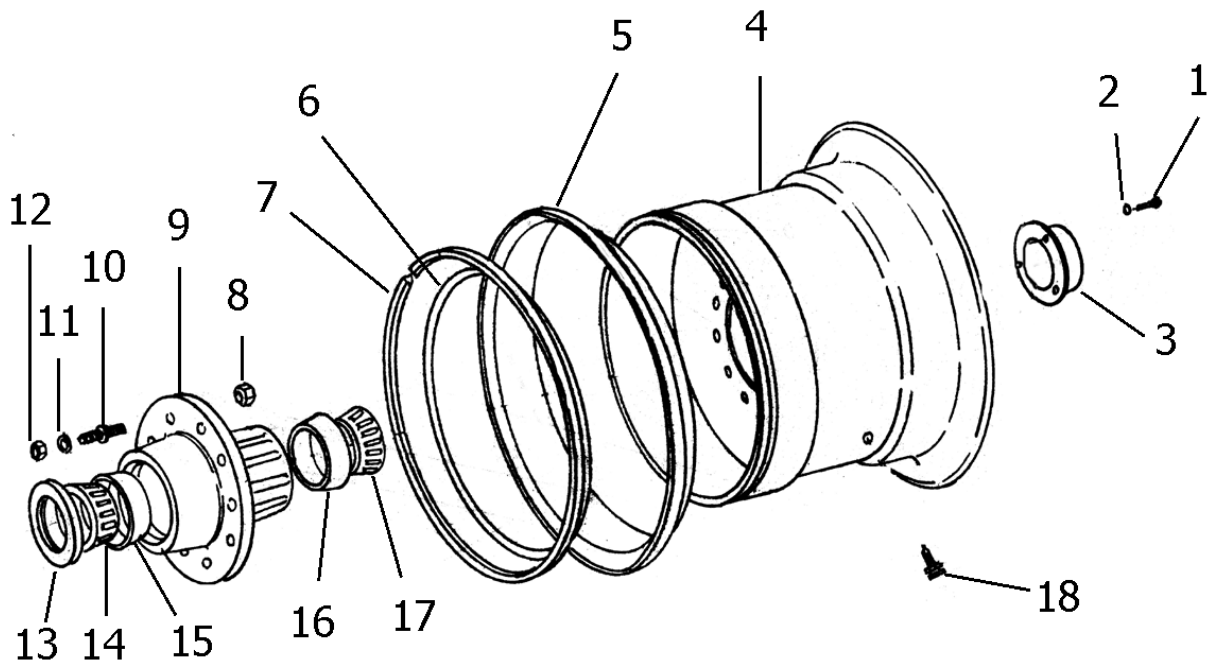
## POLE and AXLE ASSEMBLY



### PARTS LIST POLE and AXLE ASSEMBLY MODEL I-160

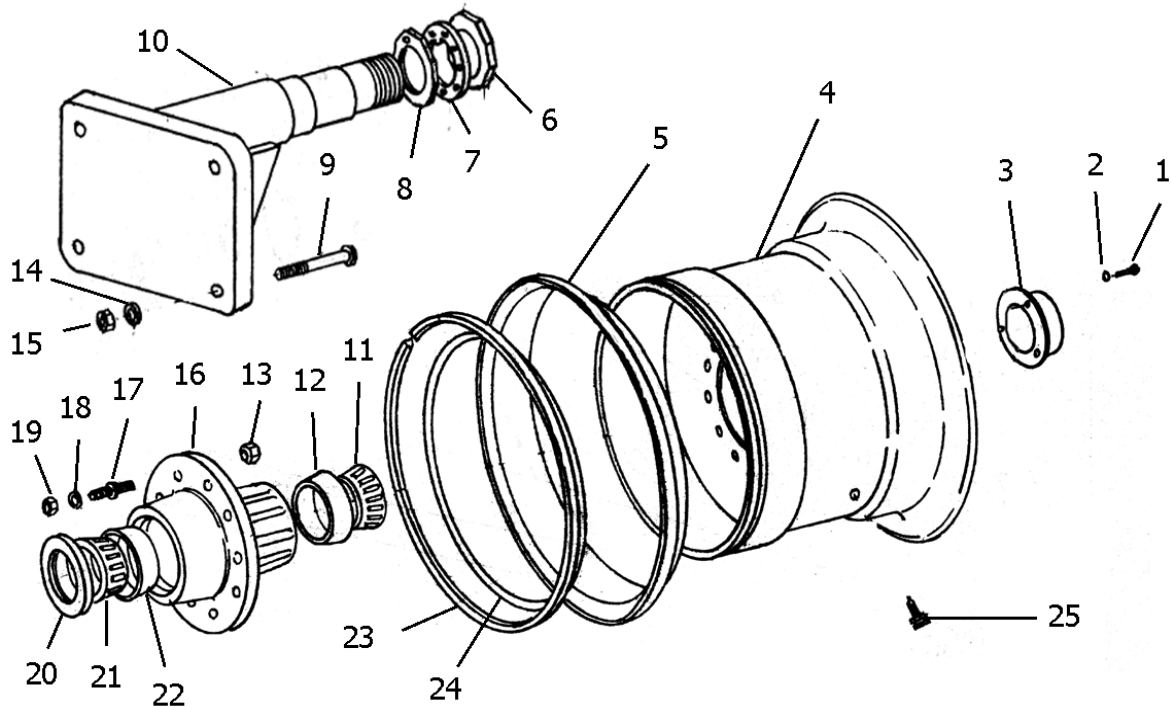
<b>KEY NO.</b>	<b>PART NO.</b>	<b>DESCRIPTION</b>
1.	A14017	Ball Swivel
2.	AFB-00018	Bolt 1" NC x 3" Long
3.	AFW-00006	Lockwasher 1"
4.	A14018	Pole
5.	-----	Cotter Pin 5/16" x 3" Long
6.	A14019	Pin 1-3/4" x 7-3/8" Long
7.	A17510	Swivel Hitch Single Lip
8.	A10172	Nut with Lock Pin
9.	A10049A	Lock Collar
10.	A10048	Spindle Nut
11.	14505	Grease Fitting
12.	A14021	Spindle (weld on)
13.	A17511	Swivel Hitch, Double Lip (optional)
14.	A123232	Yoke hitch rebuild kit - includes thrust block, thrust collar, yoke, cross shaft
15.	A123232-3	Swivel Yoke
16.	A123232-2A	Swivel Block (before serial #17805)
	A123232-2	Swivel Block (serial #17805 and above)
17.	A123232-1	Retaining Collar

## FRONT WHEEL and HUB ASSEMBLY



### PARTS LIST FRONT WHEEL and HUB ASSEMBLY MODEL I-160

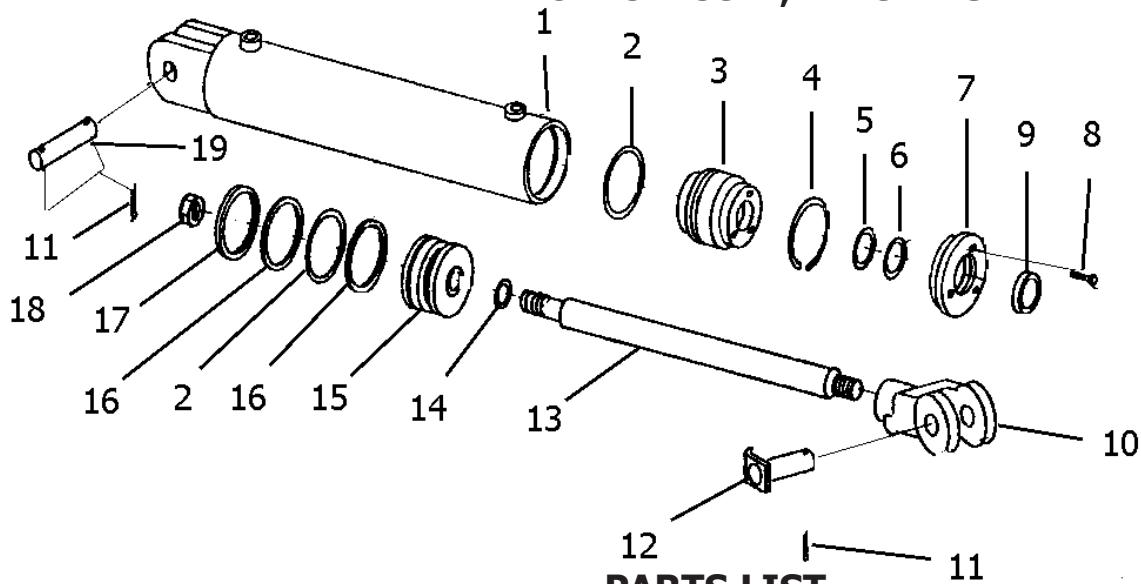
<u>KEY NO.</u>	<u>PART NO.</u>	<u>DESCRIPTION</u>
1.	AFB-00026	Bolt 5/16" NC x 3/4" Lg.
2.	8070	Lockwasher 5/16"
3.	A14004	Hub Cap
4.	A14006A	Wheel 14" x 25"
5.	A14007A	Side Ring for 14" x 25" Wheel
6.	A14008	"O" Ring
7.	A14009	Lock Ring
8.	A10046	Lug Nut
9.	A14010	Hub
10.	A10044	Lug
11.	AFW-00002	Lockwasher 3/4"
12.	----	Nut 3/4" NF
13.	A14011	Grease Seal ( CR 42624 )
14.	A14012	Bearing Cone ( Timken 749 )
15.	A14013	Bearing Cup ( Timken 742 )
16.	A14014	Bearing Cup ( Timken 632 )
17.	A14015	Bearing Cone ( Timken 644 )
18.	A14016	Valve Stem



**PARTS LIST**  
**REAR WHEEL and HUB ASSEMBLY**  
 MODEL I-160

<u>KEY NO.</u>	<u>PART NO.</u>	<u>DESCRIPTION</u>
1.	AFB-00026	Bolt 5/16" NC x 3/4" Lg.
2.	8070	Lockwasher 5/16"
3.	A14004	Hub Cap
4.	A14035	Wheel 17" x 25"
5.	A14036	Side Ring
6.	A10048	Spindle Nut
7.	A10049A	Lock Collar
8.	A10172	Nut with Lock Pin
9.	AFB-00024	Bolt 1" NF x 7" Lg.
10.	A14037	Spindle
11.	A14015	Bearing Cone
12.	A14014	Bearing Cup
13.	A10046	Lug Nut
14.	AFW-00006	Lockwasher 1"
15.	AFN-00017	Nut 1" NF
16.	A14010	Hub
17.	A10044	Lug
18.	AFW-00002	Lockwasher 3/4"
19.	----	Nut 3/4" NF
20.	A14011	Grease Seal ( CR 42624 )
21.	A14012	Bearing Cone ( Timken 749 )
22.	A14013	Bearing Cup ( Timken 742 )
23.	A14038	Lock Ring
24.	A14008	"O" Ring
25.	A14016	Valve Stem

**HYDRAULIC CYLINDER - A413H1, 4" X 13"  
APRON CIRCUIT, RIGHT SIDE**



**PARTS LIST**

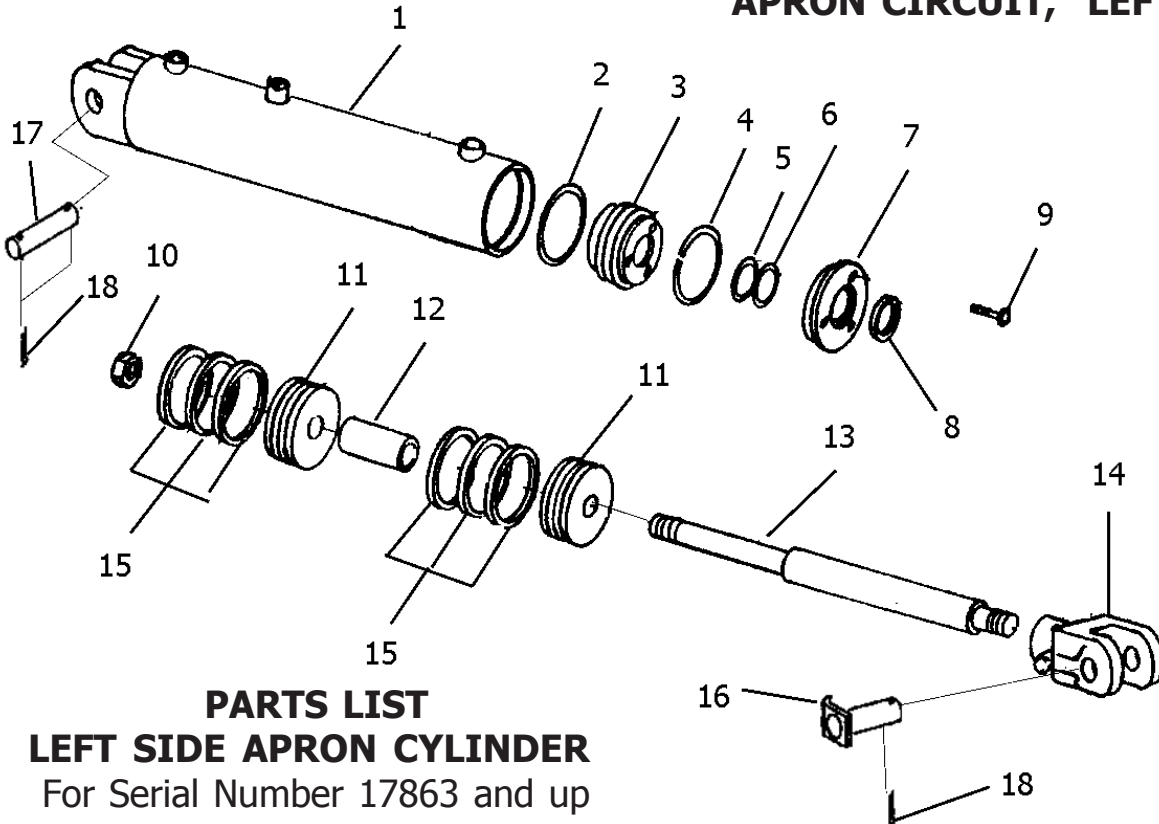
**RIGHT SIDE APRON CYLINDER**

For Serial Number 17863 and up

<u>KEY NO.</u>	<u>PART NO.</u>	<u>DESCRIPTION</u>
1.	A175H013	Cylinder Barrel
2.	A300H06	"O" Ring, 4" OD x 3/16"
3.	A300H11	Head Gland
4.	A300H12	Retainer Ring
5.	A22H15	"O" Ring, 1-1/2" ID x 1/8"
6.	A22H15A	Backup Washer, 1-1/2"
7.	A300H13	Gland Cap
8.	A22H18	Capscrew, 1/4" NC x 1"
9.	A22H17	Wiper Seal, 1-1/2" ID
10.	A12H03	Clevis End
11.	-----	Cotter Pin, 3/16" x 1-1/2"
12.	A10167	Pin, 1" x 3-1/16"
13.	A175H02	Shaft, 1-1/2" Dia.
14.	A45H05	Piston Gasket, 1"
15.	A300H07	Piston, 4" Dia.
16.	A300H05	Backup Washer, 4" OD
17.	A300H04	Cast Iron Ring, 4" OD
18.	A300H03	Piston Nut, 1" NF
19.	A1217	Pin, 1" x 3-1/2"
	A300H14B	Packing Kit, Containing:
	(1) A300H04	(2) A22H15
	(2) A300H05	(1) A22H15A
	(2) A300H06	(1) A22H17
	(1) A45H05	



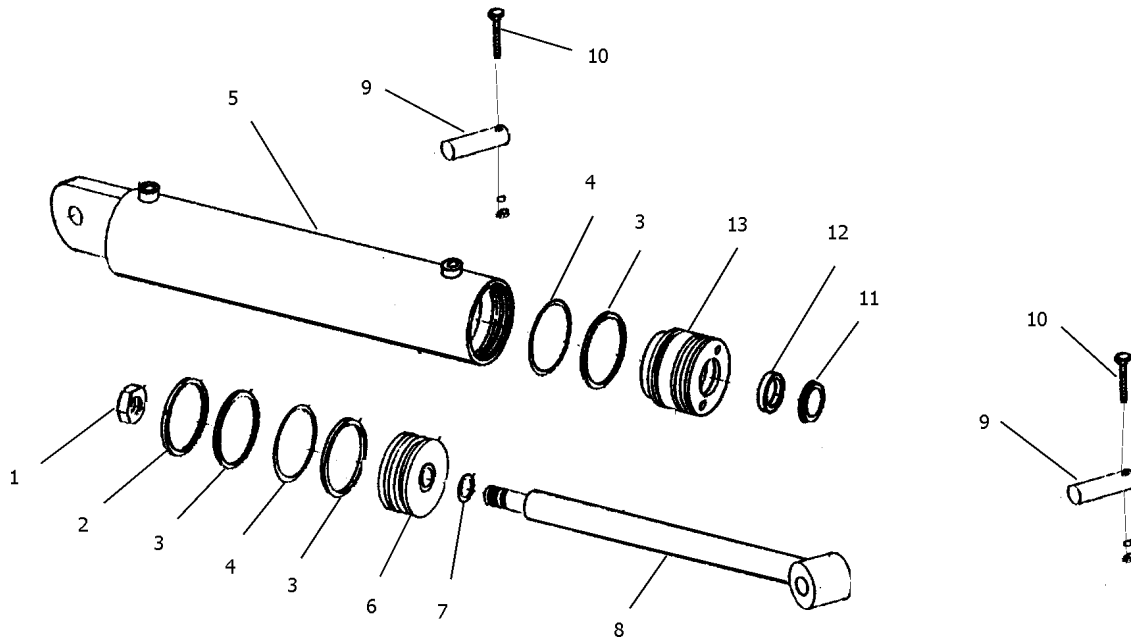
**3 PORT HYDRAULIC CYLINDER - AS413H1, 4" X 13"  
APRON CIRCUIT, LEFT SIDE**



**PARTS LIST  
LEFT SIDE APRON CYLINDER  
For Serial Number 17863 and up**

<u>KEY NO.</u>	<u>PART NO.</u>	<u>DESCRIPTION</u>
1.	A175H013	Cylinder Barrel
2.	A300H06	"O" Ring, 4" OD x 3/16"
3.	A300H11	Head Gland
4.	A300H12	Retainer Ring
5.	A22H15	"O" Ring, 1-1/2"ID x 1/8"
6.	A22H15A	Backup Washer, 1-1/2"
7.	A300H13	Gland Cap
8.	A22H17	Wiper Seal, 1-1/2" ID
9.	A22H18	Capscrew, 1/4" NC x 1"
10.	A300H03	Piston Nut
11.	A450H15	Piston, 4"
12.	A130H12	Piston Spacer
13.	A175H14	Shaft, 1-1/2"
14.	A12H03	Clevis End
15.	A300H04	Cast Iron Rings, 4" OD
16.	A10167	Pin, 1" x 3-1/16"
17.	A1217	Pin, 1" x 3-1/2"
18.	-----	Cotter Pin, 3/16" x 1-1/2"
	A130H23	Packing Kit, Containing:
	(6) A300H04	(1) A22H17
	(1) A22H15	(1) A22H15A
	(1) A300H06	

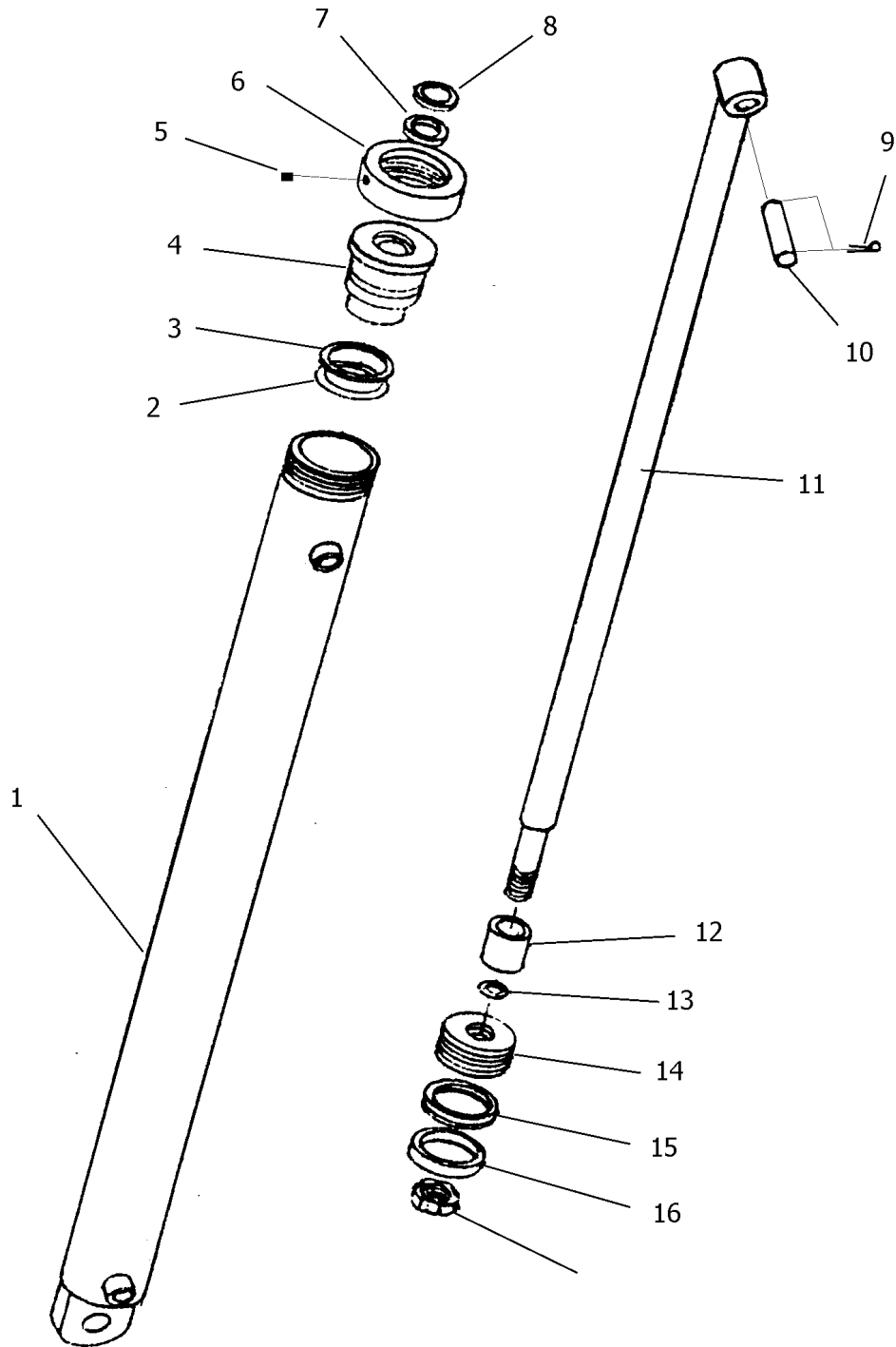
## HYDRAULIC CYLINDER - A520H114 5" X 20" LIFT CYLINDER



### PARTS LIST LIFT CYLINDER

<u>KEY NO.</u>	<u>PART NO.</u>	<u>DESCRIPTION</u>
1.	A400H17	Nut 1-1/4" NF, Lock Type
2.	A400H04	Cast Ring, 5" OD
3.	A400H05	Back-up Washer, 5" OD x 1/4"
4.	A400H06	"O" Ring, 5" OD x 1/4"
5.	A80H02A	Barrel Assembly with 1-1/4" holes
6.	A80H01	Piston, 5" OD
7.	A60H52	"O" Ring, 1-1/4" OD x 1/16"
8.	A80H08A	Shaft 2" Dia.
9.	A6007A	Pin, 1-1/4" x 4-1/8 with Square Head & Grease Hole
10.	-----	Bolt 1/4" NC x 2" Lg. with Nut & Lockwasher
11.	A80H06	Wiper Seal 2" ID
12.	A80H04	Seal 2" ID
13.	A80H05A	Head Gland
	A80H07	Packing Kit, Containing:
	(1) A400H04	(1) A60H52
	(3) A400H05	(1) A80H04
	(2) A400H06	(1) A80H06

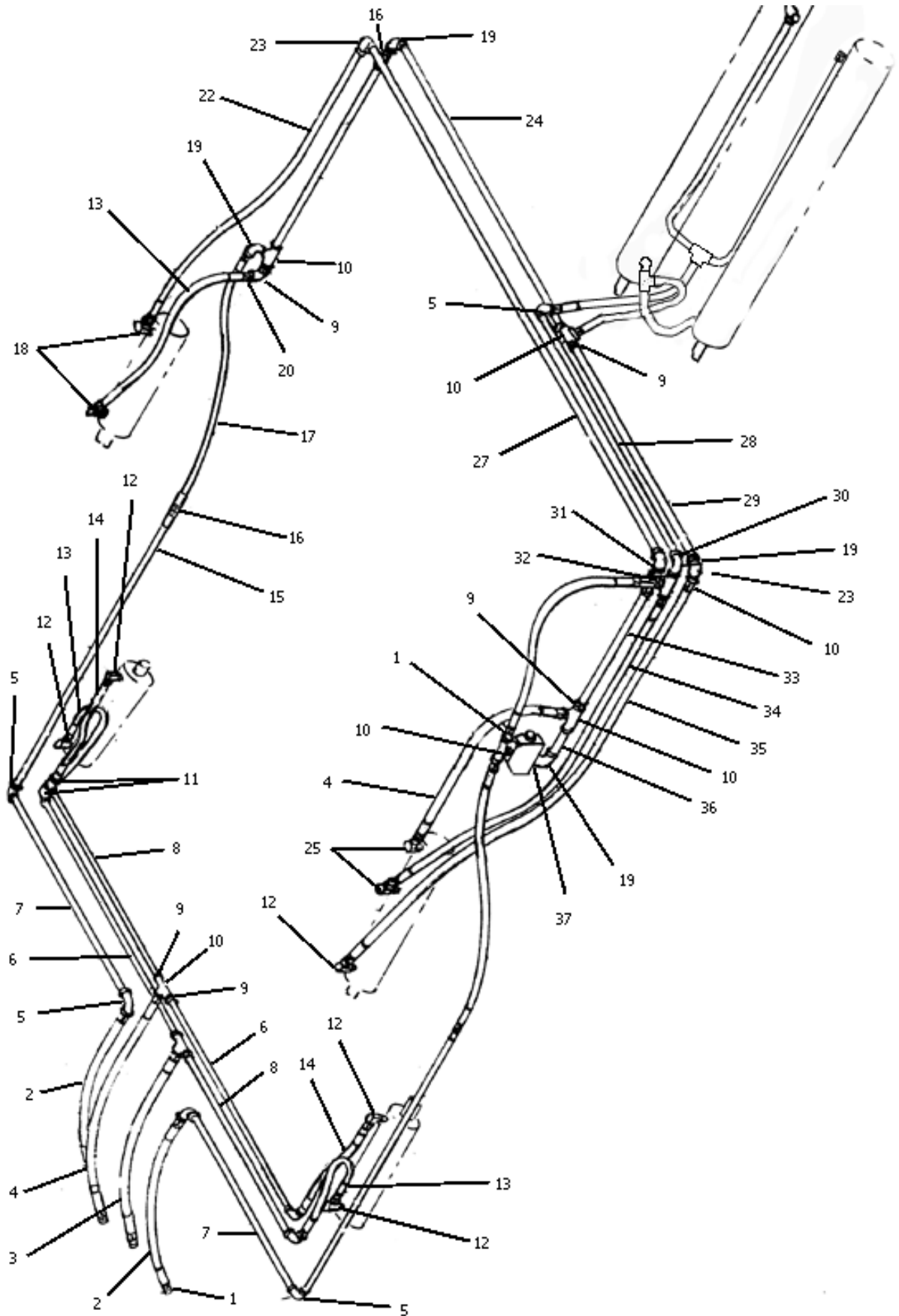
**HYDRAULIC CYLINDER - A4560H114, 4-1/2" X 60"  
MODEL I-160 PUSH OFF CYLINDER**



**PARTS LIST**  
**PUSH OFF CYLINDER, A4560H114, 4-1/2" x 60"**  
 For Serial Number 17488 and up  
**MODEL I-160**

<b><u>KEY NO.</u></b>	<b><u>PART NO.</u></b>	<b><u>DESCRIPTION</u></b>
1.	A175H08	Barrel Assembly, 4-1/2" Bore
2.	A175H03	"O" Ring, 4-1/2" OD x 4-1/8" ID
3.	A175H04	Back Up Washer, 4-1/2" OD x 4-1/8" ID
4.	A175H09	Head Gland
5.	-----	Set Screw, 3/8" NC
6.	A175H10	Collar
7.	A140H07	Shaft Seal, 2-1/2" ID, OU-Cup
8.	A140H08	Wiper Seal
9.	-----	Cotter Pin, 3/16" x 2"
10.	A10038	Pin, 1-1/4" Dia. x 4-1/4" Lg.
11.	A175H11	Shaft, 2-1/2" Dia.
12.	A175H06	Spacer
13.	A22H15	"O" Ring, 1-1/2" x 1-3/4" OD
14.	A175H12	Piston
15.	A175H05	Piston Seal, 4-1/2" OD
16.	A175H07	Wear Ring, 4-1/2" OD
17.	AFN-00018	Nut, Lock Type, 1-1/2" NF
	A175H15	Packing Kit, Containing:
		(1) A175H03            (1) A175H04
		(1) A140H07        (1) A140H08
		(1) A22H15         (1) A175H05
		(1) A175H07

# HYDRAULIC CIRCUIT



**HYDRAULIC CIRCUIT  
PARTS LIST  
MODEL I-160**

<b>KEY NO.</b>	<b># REQ'D</b>	<b>PART NO.</b>	<b>DESCRIPTION</b>
1.	5	A101H72	Swivel Adapter, Str. 3/4" Male x Female
2.	2	A101H32	Hose, 3/4" x 21" Long
3.	2	A101H46	Hose, 3/4" x 24-1/2" Long
4.	2	A101H31A	Hose, 3/4" x 27" Long
5.	5	-----	Elbow, 90 degree x 3/4" NPT, Steel
6.	2	-----	Pipe, 1/2" x 43" Long
7.	2	-----	Pipe, 3/4" x 53-1/2" Long
8.	2	-----	Pipe, 1/2" x 40-3/4" Long
9.	7	-----	Pipe Bushing, 1/2" NPT x 3/4" NPT
10.	7	-----	Pipe Tee
11.	4	-----	Elbow, 90 degree, 1/2" NPT, Cast
12.	5	A400H02	Swivel adapter, 90 degree, 1/2" NPT x 1/2" NPT
13.	3	A60H01A	Hose, 1/2" x 18" Long
14.	2	A45H06	Hose, 1/2" x 24" Long
15.	2	-----	Pipe, 3/4" x 80" Long
16.	3	A101H35	Swivel Adapter, Str. Female to Female, 3/4" NPT
17.	1	A101H36	Hose, 3/4" x 33" Long
18.	2	A45H07	Swivel Adapter, 90 degree, 3/8" NPT x 1/2" NPT
19.	4	-----	Street Elbow, 3/4" NPT
20.	1	-----	Street Elbow, 45 degree, 1/2" NPT
21.	1	-----	Pipe, 3/4" x 36-1/2" Long
22.	1	A80H29	Hose, 1/2" x 46" Long
23.	2	-----	Elbow, 90 degree, 1/2" NPT, Steel
24.	1	-----	Pipe, 3/4" x 61" Long
25.	4	A101H77	Swivel Adapter, 90 degree, 3/4" NPT
26.	1	A140H17A	Hose, 3/4" x 77" Long
27.	1	-----	Pipe, 1/2" x 107-1/2" Long
28.	1	-----	Pipe, 3/4" x 50-1/2" Long
29.	1	-----	Pipe, 1/2" x 46" Long
30.	1	A101H73	Street Elbow, 90 degree, 1/2" NPT, Steel
31.	1	A101H74	Swivel Adapter, Str. 1/2" NPT Female to Female
32.	1	A101H75	Check Valve
33.	1	-----	Pipe, 1/2" x 12" Long
34.	1	A130H22	Hose, 3/4" x 48" Long
35.	1	A140H19	Hose, 1/2" x 60" Long
36.	1	-----	Pipe, 3/4" x 5-3/4" Long
37.	1	A101H48	Counterbalance Valve
38.	1	A101H42	Hose, 3/4" x 42" Long
39.	1	A101H37	Hose, 3/4" x 18" Long

# Limited Warranty Statement

Ashland Industries Inc. warrants each new product to be free from defects in material and workmanship. This warranty is applicable only for the normal service life expectancy of the product or components, not to exceed **six consecutive months** from the date of delivery of the new Ashland Industries product to the original purchaser, or the date the product is first put into service via a rental agreement or other means, whichever occurs first.

Genuine Ashland Industries Inc. replacement parts and components will be warranted for 30 days from date of purchase, or the remainder of the original equipment warranty period, whichever is longer.

Under no circumstances will it cover any merchandise or components thereof, which in the opinion of the company, has been subjected to misuse, unauthorized modification, alterations, an accident or if repairs have been made with parts other than those obtained through Ashland Industries Inc.

Ashland Industries Inc. in no way warrants Tires since these items are warranted separately by their respective manufacturer. Please call Ashland Industries Inc. to receive phone numbers of tire suppliers.

Ashland Industries Inc. in no way warrants wearable items such as cutting edges, front dolly wheel balls, socket halves.

Our obligation under this warranty shall be limited to repairing or replacing, free of charge to the original purchaser, any part that, in our judgement, shall show evidence of such defect, provided further that such part shall be returned within 30 days from the date of failure to Ashland Industries Inc. routed through the dealer and distributor from whom the purchase was made, transportation charges prepaid. Upon warranty approval proper credits will be reimbursed for transportation.

This warranty shall not be interpreted to render Ashland Industries Inc. liable for injury or damages of any kind or nature to person or property. This warranty does not extend to the loss revenue, extra labor cost associated with downtime, substitute machinery, rental or for any other reason.

Except as set forth above, Ashland Industries Inc. shall have no obligation or liability of any kind on account of any of its equipment and shall not be liable for special or consequential damages. Ashland Industries Inc. make no other warranty, expressed or implied, and, specifically, Ashland Industries Inc. disclaims any implied warrant or merchantability or fitness for a particular purpose. Some states or provinces do not permit limitations or exclusions of implied warranties or incidental or consequential damages, so the limitations or exclusion in this warranty may not apply.

This warranty is subject to any existing conditions of supply which may direct affect our ability to obtain materials or manufacture replacement parts.

Ashland Industries Inc. reserves the right to make improvements in design or changes in specifications at any time, without incurring any obligation to owners of units previously sold

No one is authorized to alter, modify or enlarge this warranty nor the exclusion, limitations and reservations.

Ashland Industries Inc.  
Warranty Department