



BUCHLI MASTER PARTS BOOK

B-45 Scraper

ver 12-02

Ashland Industries Inc.
1115 Rail Drive
P.O. Box 717
Ashland, WI. 54806
Ph: 877-634-4622 *Toll Free*
Ph: 715-682-4622
Fx: 715-682-9717
www.ashlandind.com



INDEX PAGE

B-45 Scraper

How to order parts:

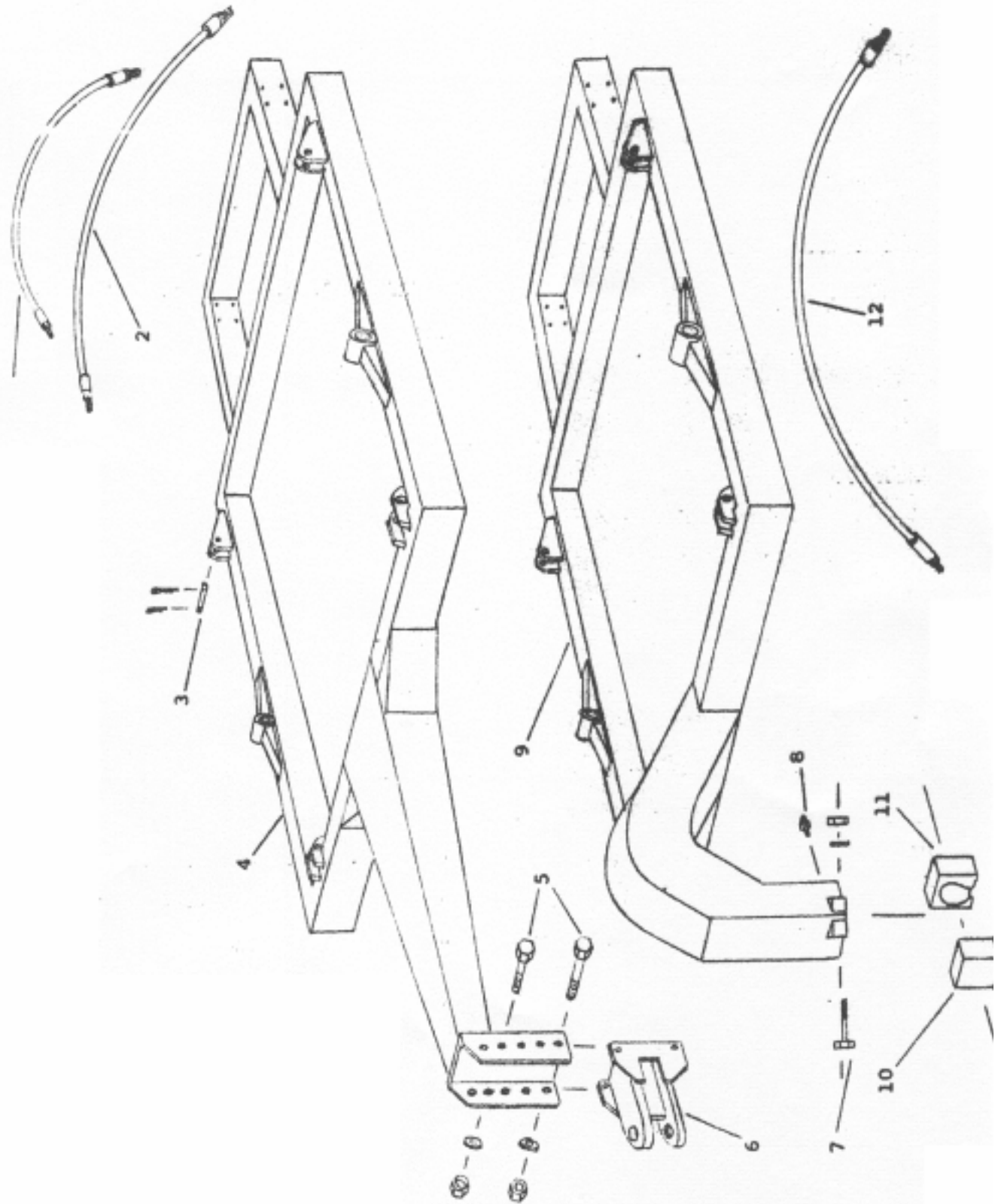
Be sure to state MODEL and SERIAL NO. of machine, PARTS NO., DESCRIPTION, and QUANTITY wanted.

Unless this is done, we cannot give you prompt service or send the correct parts.

I N D E X

<i>Page No.</i>	<i>Illustration & Parts List</i>
3 - 4	Frame Ass'y
5 - 6	Pole, Axle & Wheel Ass'y
7 - 8	Actuating Ass'y
9 - 10	Bucket & Apron Ass'y
11	Wheel, Hub, & Spindle Ass'y
12	Hyd. Cylinder, 4" x 16"
13	Hyd. Cylinder, 5" x 16" (opt)

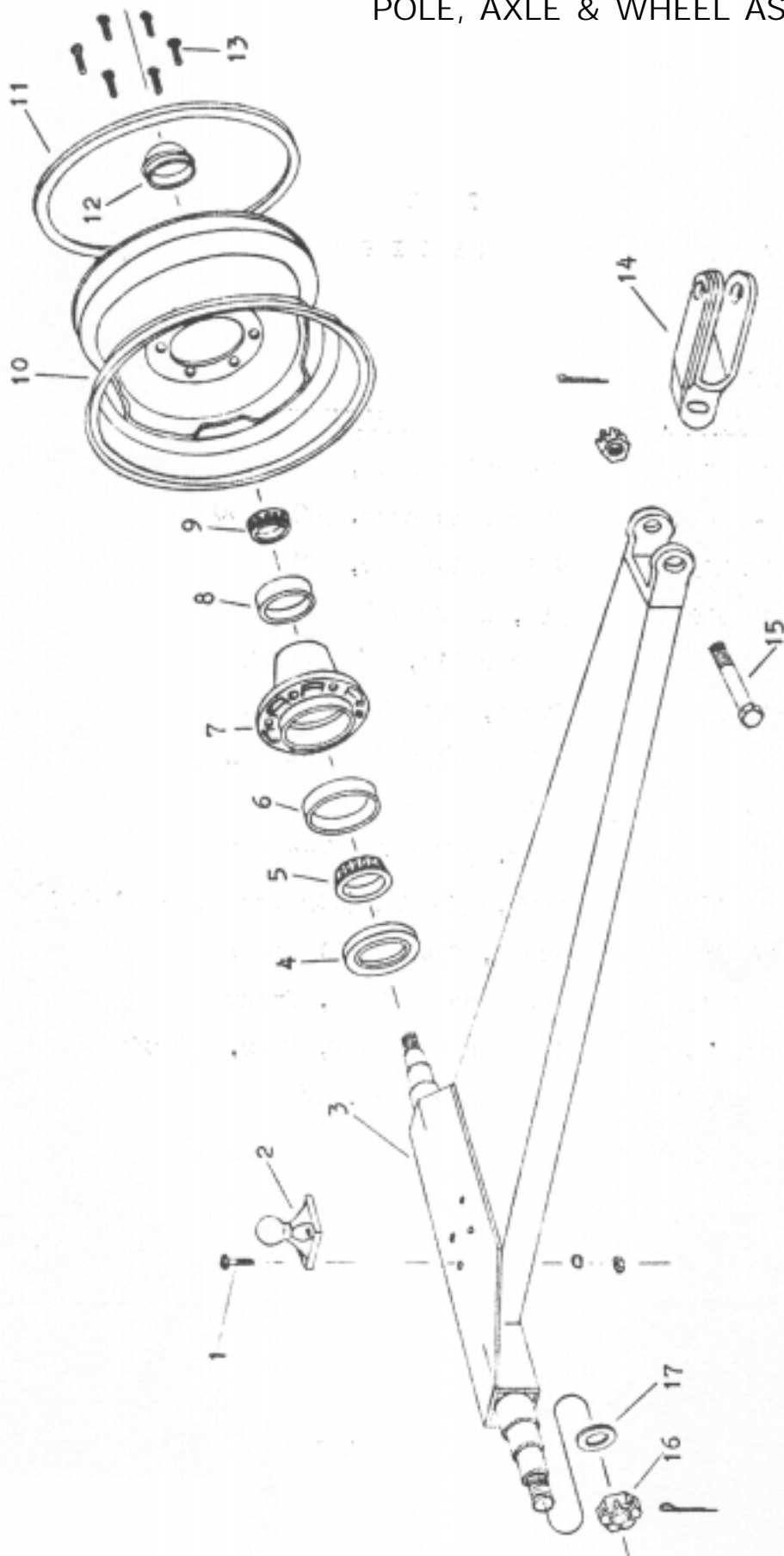
FRAME ASSEMBLY



PARTS LIST
 FRAME ASSEMBLIES
 B-45 SCRAPER

Key No.	Part No.	Description
1	B45H02A	Hydraulic hose, 3/8" x 22"
2	B45H01A	Hydraulic hose, 3/8" x 40"
	B22H03	Swivel adapter, 90 degree
3	B40010	Pin, 1-1/8" x 4"
		Cotter pin, 3/16" x 1-1/2"
4	B4522	Frame, Two Wheel Model
5		Bolt, 3/4" x 6" w/nut & LW
6	B4523	Hitch
7		Bolt, 5/8" x 4" w/nut and LW
8	B2206	Zerk, 1/8" NPT (straight long shank)
9	B4501	Frame, Four Wheel Model
10	B40004	Cast socket half, front
11	B40005	Cast socket half, rear w/zerk hole
12	B300H01	Hydraulic hose, 1/2" x 84"

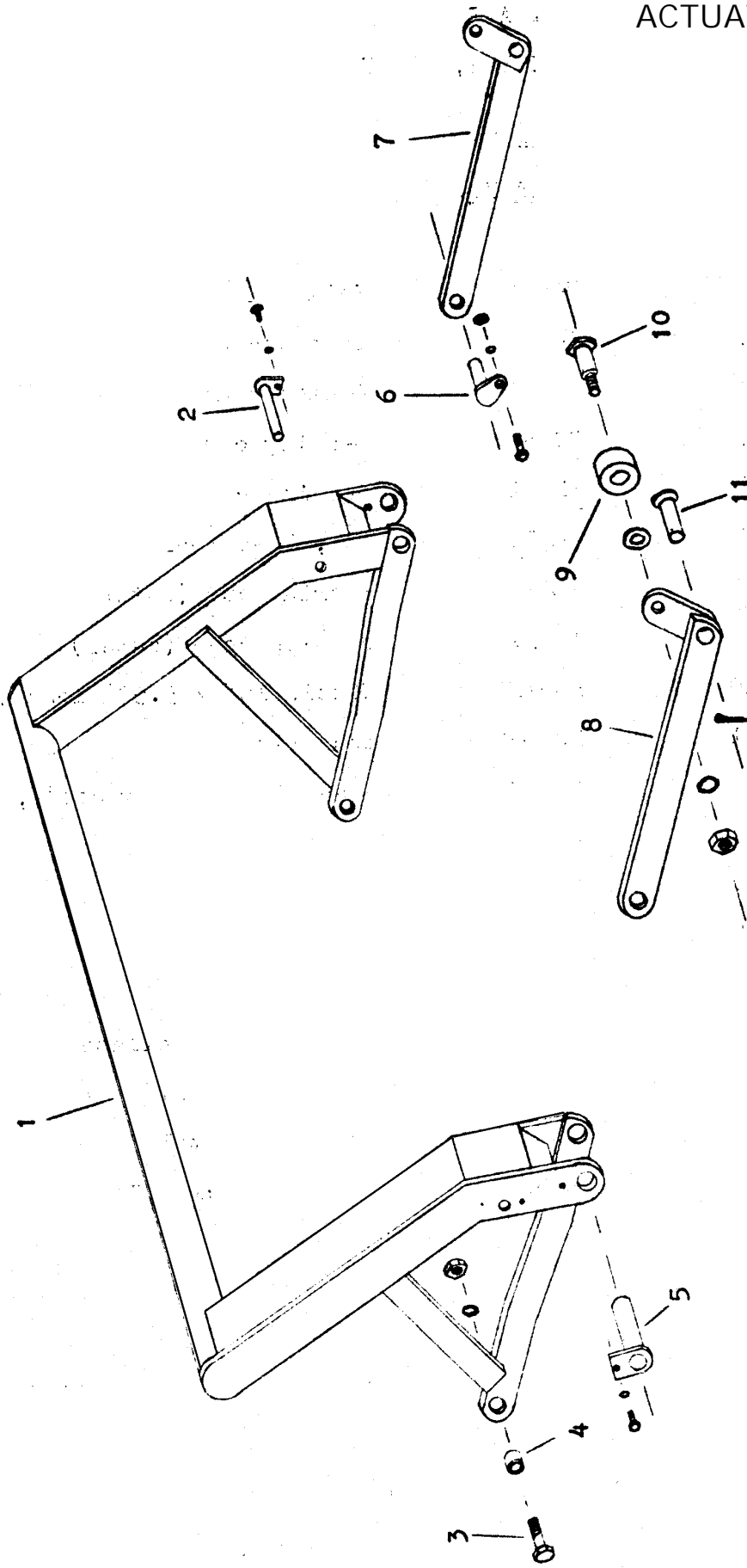
POLE, AXLE & WHEEL ASSEMBLY



PARTS LIST
POLE, AXLE & WHEEL ASSEMBLY
B-45 SCRAPER

Key No.	Part No.	Description
1		Bolt, 3/4 x 2-1/2 w/nut & LW
2	B40006	Ball swivel
3	B4502	Pole and axle
4	B2229	Grease seal
5	B2230	Bearing cone (inner)
6	B2231	Bearing cup (inner)
7	B2232	Hub, less bearing cups
8	B2233	Bearing cup (outer)
9	B2234	Bearing cone (outer)
10	B30023	Wheel, 15" x 5-1/2" less lock ring
11	B30024	Lock ring, 15"
	B30025	Wheel & lock ring ass'y, 15" x 5-1/2"
12	B2235	Hub cap
13	B2236	Wheel bolt
14	B2207	Swivel hitch
15		Bolt, 1 x 6 NF
		Nut, 1 NF castellated
		Cotter pin, 3/16 x 1-1/2
16		Nut, 7/8 castellated
17	B2239	Washer, special 7/8 flat

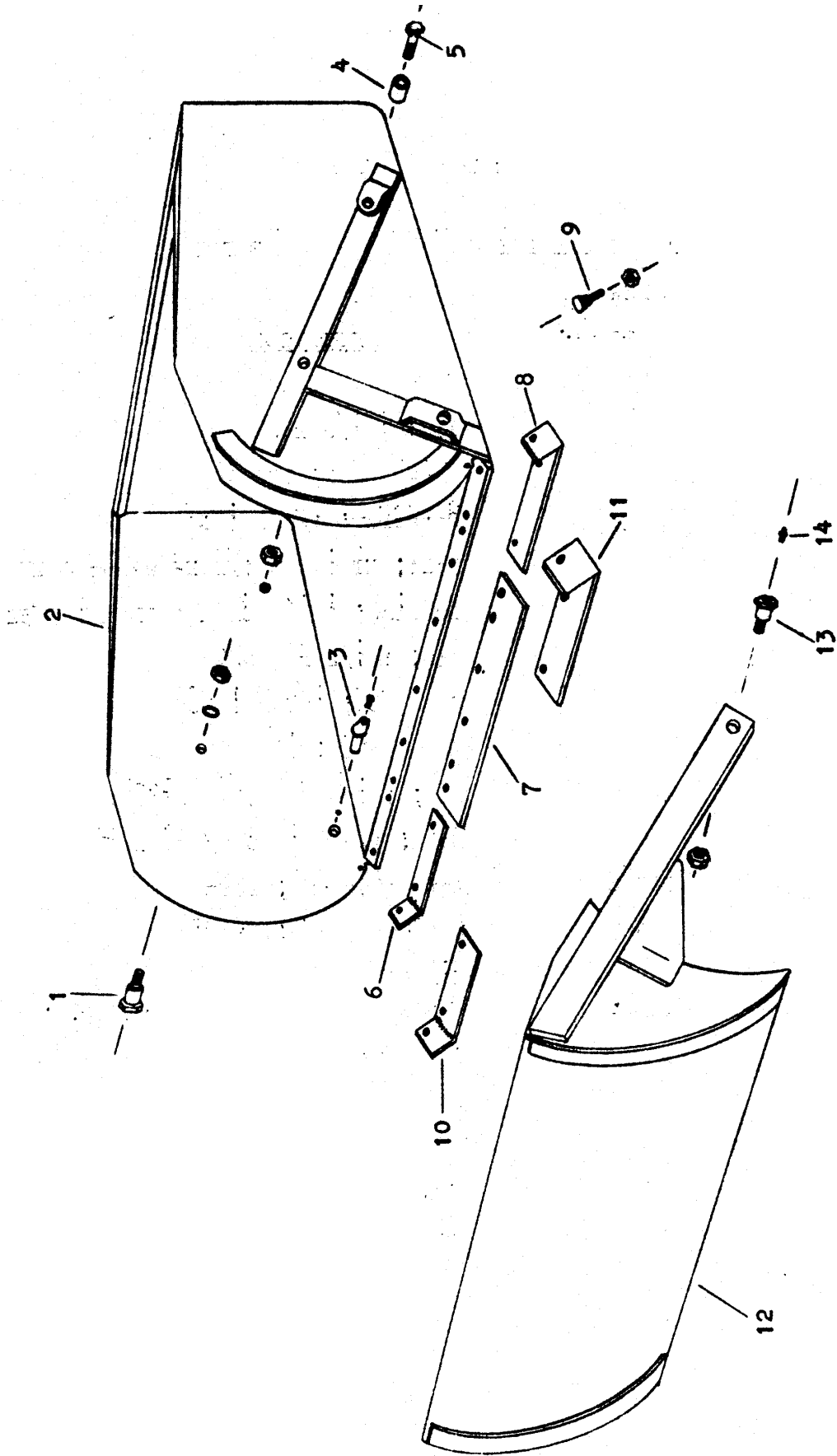
ACTUATING ASSEMBLIES



PARTS LIST
ACTUATING ASSEMBLIES
B-45 SCRAPER

Key No.	Part No.	Description
1	B4503	Actuating Frame
2	B4524	Pin, 1-1/8 x 6 Lockwasher, 1/2 Capscrew, 1/2 x 1 NC
3		Bolt, HT 1 x 3-1/2 NF w/nut & LW
4	B4504	Bushing, 1-1/2 OD x 1 ID x 1-3/32 long
5	B2502	Pin, 1-1/2 x 5-5/8 Capscrew, 1/2 x 1 NC Lockwasher, 1/2
6	B4505	Pin, 1-1/4 x 2-3/8 w/locking head Bolt, 1/2 x 1 NC w/nut & LW
7	B4506	Actuating arm, left
8	B4507	Actuating arm, right
9	B30002	Roller
10	B30003	Shoulder pin, 2-1/2 shoulder, 1-1/4 to 1 Flat washer, 1" Lockwasher, 1" Nut 1" NF
11	B4508	Pin, 1-1/4 x 3-5/8 Cotter pin, 1/4 x 2

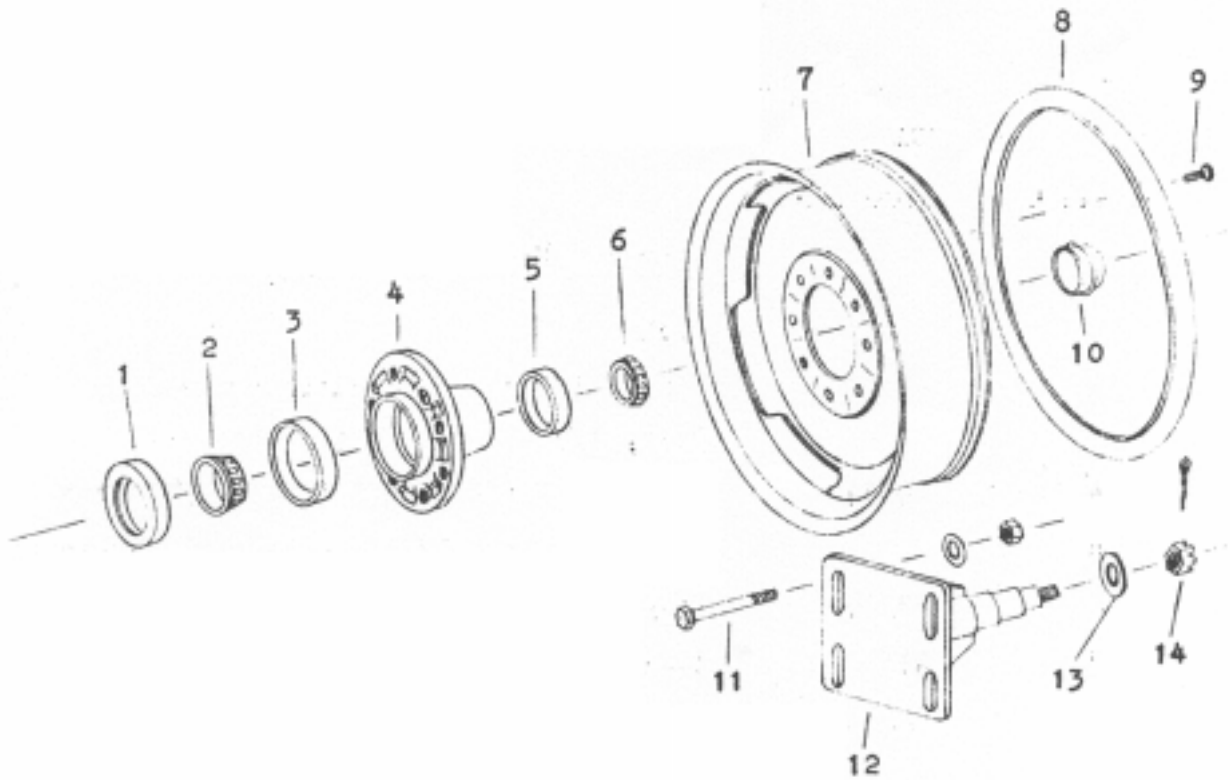
BUCKET & APRON ASSEMBLIES



PARTS LIST
 BUCKET & APRON ASSEMBLY
 B-45 SCRAPER

Key No.	Part No.	Description
1	B30020	Shoulder pin, 1-1/4" to 1" NF, ctsk hole in head
2	B4509	Bucket
3	B4505	Pin, 1-1/4" x 2-3/8" w/locking head Bolt, 1/2" x 1" NC w/nut and LW
4	B4504	Bushing, 1-1/2" OD x 1" ID x 1-3/32" long
5		Bolt, HT 1" x 3-1/2" NF, w/nut & LW
6	B2224	Right cutting edge, 4"
7	B4510	Center cutting edge, 6"
8	B2221	Left cutting edge, 4"
9		Plow bolts, 1/2" x 1-1/2" w/nuts Plow bolts, 1/2" x 1-3/4" w/nut
10	B2225	Right cutting edge, 6" optional
11	B2222	Left cutting edge, 6" optional
	B4525	One piece cutting edge, 6" optional (not shown)
	B4526	Cutting edge pitch control wedge, optional (not shown)
12	B4511	Apron
13	B30020	Shoulder pin, 1-1/4" to 1" NF w/ctsk zerk hole in head
14		Zerk, 1/8" NPT straight

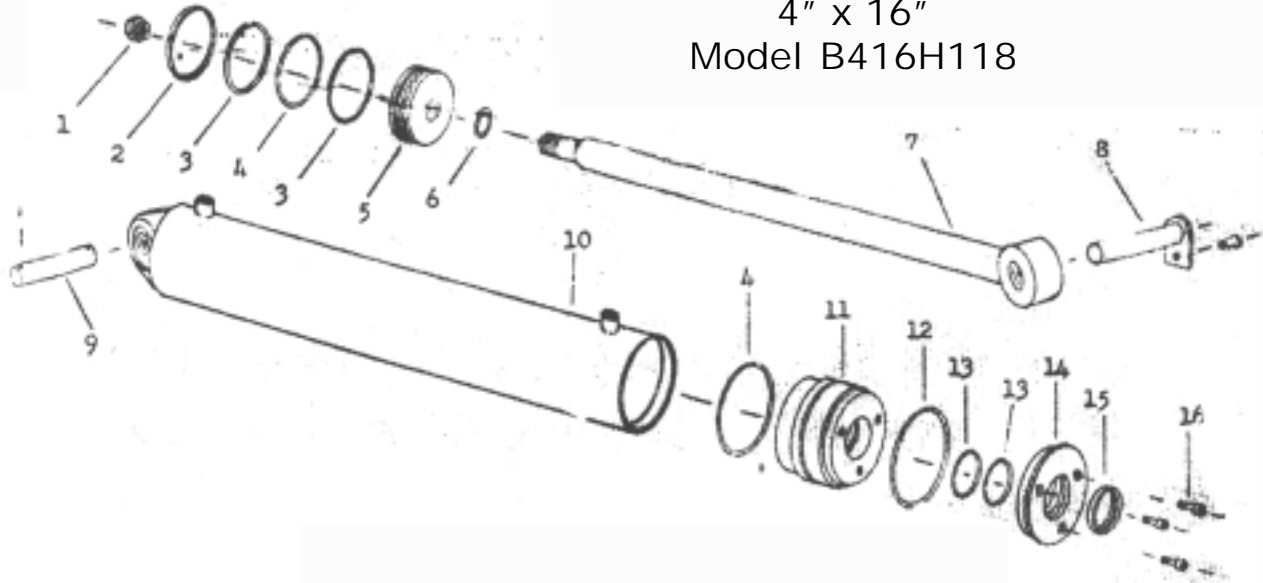
WHEEL, HUB & SPINDLE ASSEMBLY



PARTS LIST

Key No.	Part No.	Description
1	B4512	Grease seal
2	B4513	Bearing cone, inner
3	B4514	Bearing cup, inner
4	B4515	Hub, less bearings
5	B2233	Bearing cup, outer
6	B4516	Bearing cone, outer
7	B4517	Wheel, less lock ring
8	B4518	Lock ring
	B4521	Wheel assembly (includes lock ring)
9	B4519	Wheel bolt
10	B2235	Hub cap
11		Bolt, 3/4" x 5-1/2" w/flat washer & nut
12	B4520	Spindle
13	B2239	Washer, special 7/8" flat
14		Nut, 7/8" NF castellated Cotter pin, 5/32" x 1-1/4"

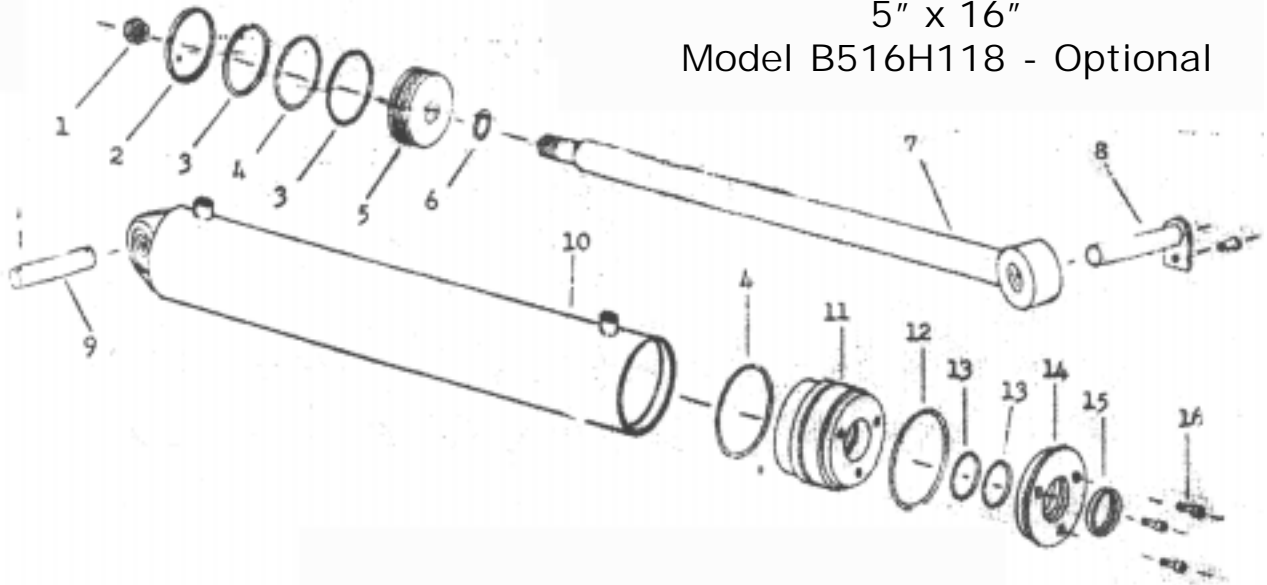
HYDRAULIC CYLINDER
4" x 16"
Model B416H118



PARTS LIST

Key No.	Part No.	Description
1	B300H03	Piston nut, 1 NF
2	B300H04	Cast iron piston ring, 4 OD
3	B300H05	Piston backup washer, 4 OD
4	B300H06	Piston & static O-ring seal, 4 OD
5	B300H07	Piston, 4 OD
6	B400H16	Piston gasket, 1-1/4 ID
7	B45H03	Shaft, 1-1/2"
8	B4524	Pin, 1-1/8 x 6
		Lockwasher, 1/2"
		Capscrew, 1/2 x 1 NC
9	B40010	Pin, 1-1/8" x 4"
		Cotter pin, 3/16" x 1-1/2"
10	B45H04	Barrell assembly
11	B300H11	Head gland
12	B300H12	Retainer ring
13	B22H15	Shaft O-ring seal, 1-1/2" ID
14	B300H13	Head cap
15	B22H17	Wiper seal, 1-1/2" ID
16	B22H18	Socket head capscrew, 1/4" x 1"
	B300H14	Packing kit containing:
		1 B300H04
		2 B300H05
		2 B300H06
		1 B300H08
		1 B300H12
		2 B22H15
		1 B22H17

HYDRAULIC CYLINDER
5" x 16"
Model B516H118 - Optional



PARTS LIST

Key No.	Part No.	Description
1	B300H03	Piston nut, 1 NF
2	B400H04	Cast iron piston ring, 5 OD
3	B400H05	Piston backup washer, 5 OD
4	B400H06	Piston & static O-ring seal, 5 OD
5	B400H07	Piston, 5 OD
6	B300H08	Piston gasket, 1 ID
7	B400H08	Shaft, 2"
8	B4524	Pin, 1-1/8 x 6
		Lockwasher, 1/2"
		Capscrew, 1/2 x 1 NC
9	B40010	Pin, 1-1/8" x 4"
		Cotter pin, 3/16" x 1-1/2"
10	B400H09	Barrell assembly
11	B400H10	Head gland
12	B400H11	Retainer ring
13	B400H12	Shaft O-ring seal, 2 ID
14	B400H13	Head cap
15	B400H14	Wiper seal, 2 ID
16	B22H18	Socket head capscrew, 1/4" x 1"
	B400H15	Packing kit containing:
		1 B400H04
		2 B400H05
		2 B400H06
		1 B300H08
		1 B400H11
		2 B400H12
		1 B400H14