



I-130 PARTS MANUAL

Updated 3/21/01



Ashland Industries Inc.
Hwy. 13 South
P.O. Box 717
Ashland, WI. 54806
877-634-4622 Toll Free - phone
715-682-4622 phone
715-682-9717 fax
www.ashlandind.com



MODEL I-130 SCRAPER

HOW TO ORDER PARTS:

Be sure to state MODEL and SERIAL NO. of machine, PARTS NO., DESCRIPTION, and QUANTITY wanted.

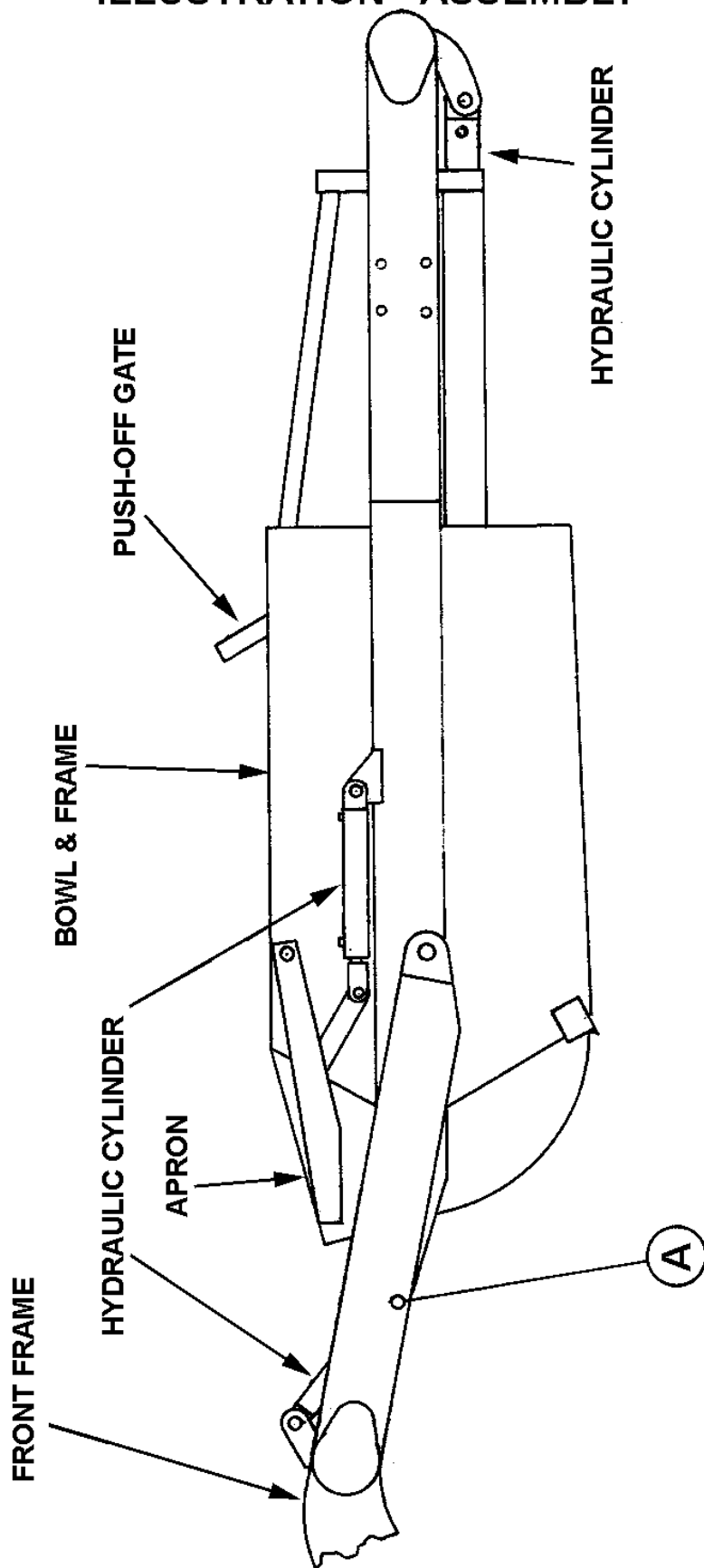
Unless this is done, we cannot provide prompt service or assure shipment of the correct parts.

INDEX

PAGE NO.

1. Illustration - Assembly
2. Operator and Maintenance Instructions
3. Gooseneck Frame Assembly
4. Apron Assembly
5. Bowl and Frame Assembly
6. Push Off Gate
7. Pole and Axle Assembly
8. Front Wheel and Hub Assembly
9. Rear Wheel, Spindle and Hub Assembly
10. Hydraulic Cylinder, 4" x 13", Left
11. Hydraulic Cylinder, 4" x 13", Right
12. Hydraulic Cylinder, 5" x 16"
13. Hydraulic Cylinder, 4 ½ " x 54"
14. Illustration - Hydraulic Circuit
15. Parts List - Hydraulic Circuit
16. Hydraulic Valve
17. Hydraulic Valve Adjustment Instructions

ILLUSTRATION - ASSEMBLY



OPERATOR AND MAINTENANCE INSTRUCTIONS

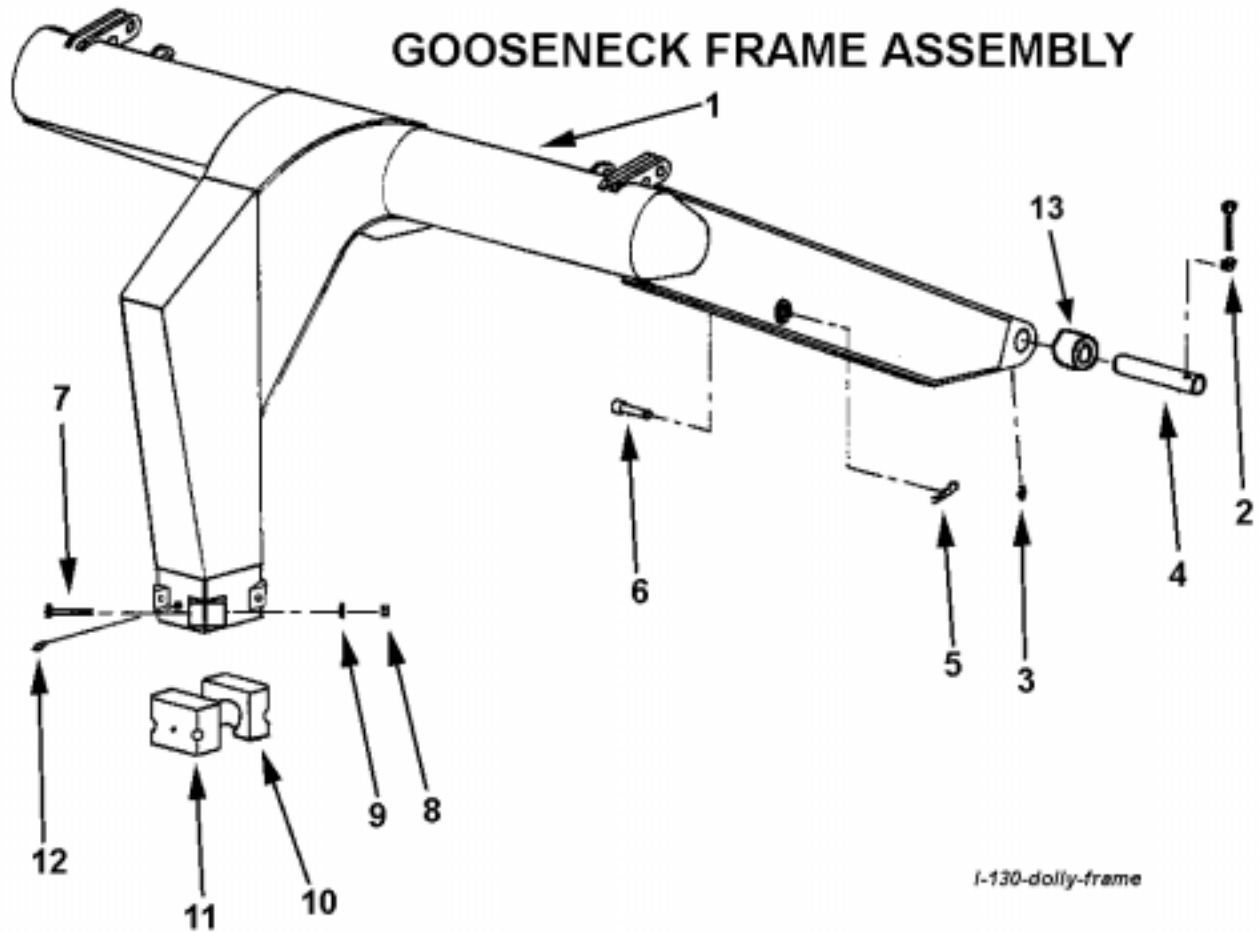
The scraper is a durable piece of equipment and with proper care will yield many years of trouble free operation. The scraper requires a power source with TWO 4-way (double acting) hydraulic control valves.

The scraper should be greased at all points where grease fittings are provided. Connect hydraulic hoses to the tractor and retract lift cylinders to remove transport lock pins (point A), then extend and retract all cylinders several times to force out any air from the hydraulic cylinders and lines. Check the oil level in the tractor hydraulic system and add to maintain the proper level. Care should be taken when adding oil or when disconnecting any oil line to keep all dirt out of the oil as dirt is a major factor in the failure of hydraulic components.

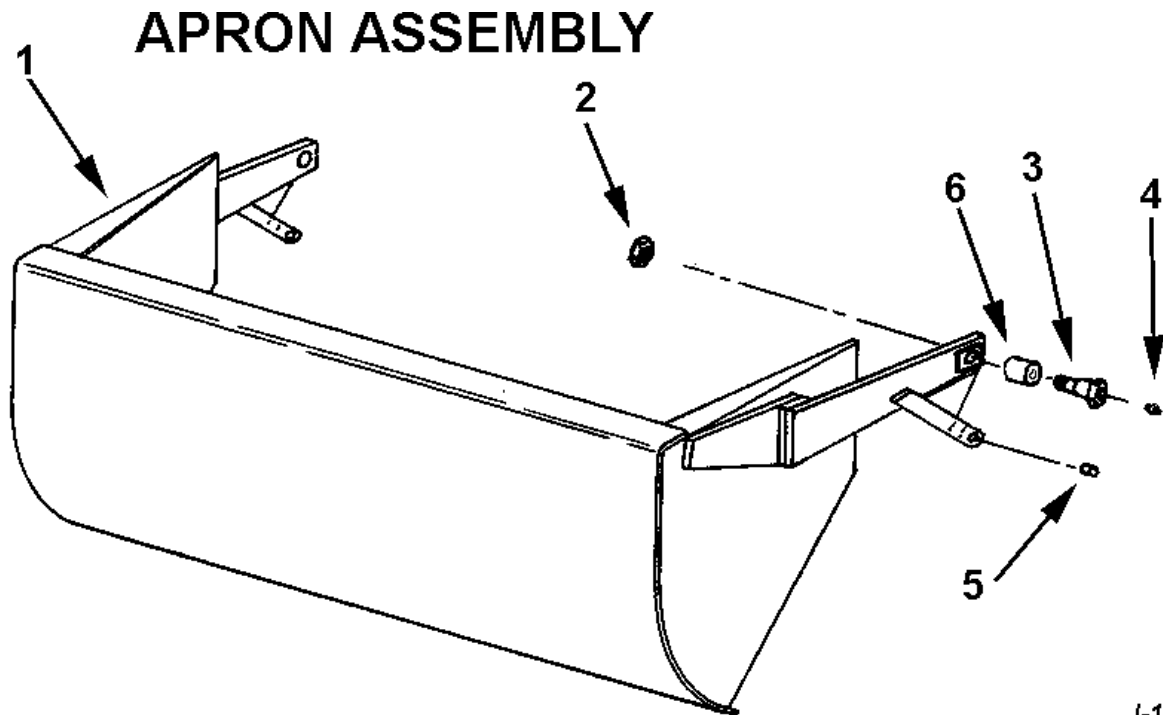
When the scraper is placed into operation, the operator will have to "feel out" the amount of depth of cut to obtain maximum loading efficiency. This is usually accomplished by taking a lesser and more uniform cut. However, some soil conditions such as loose sand may require a "pumping action" obtained by taking successive deep cuts and lifting out of cut as the tractor begins to lose power or traction.

1. After 10 hours work, all bolts should be checked and tightened if necessary.
2. Every 10 hours all grease fittings should be lubricated.
3. After 50 hours work, all bolts should be rechecked and tightened if necessary. Check wheel bearings and adjust if necessary.
4. After 300 hours work, clean and repack wheel bearings and replace, if necessary, cutting edges, worn pins, etc.

ASHLAND INDUSTRIES, INC.



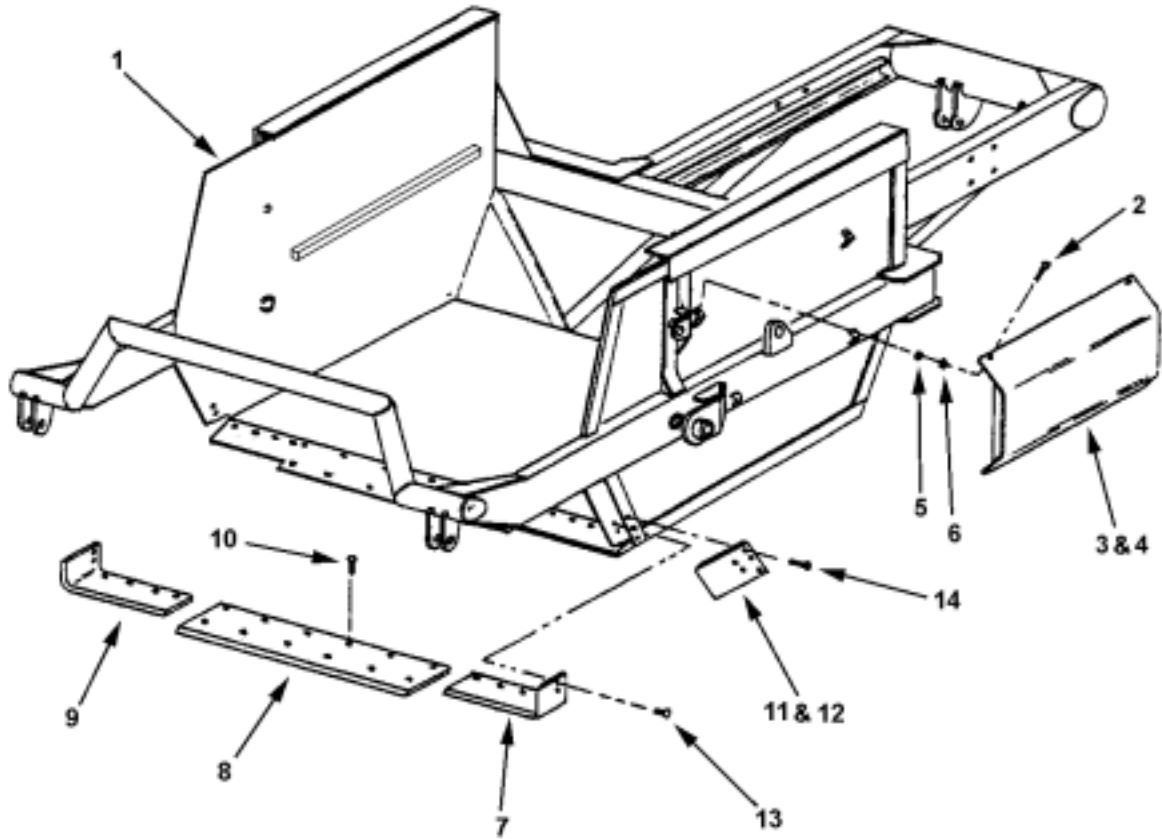
KEY NO.	PART NO.	DESCRIPTION
1	A13001	Gooseneck frame
	A13011	Gooseneck frame, s/n 17806 & up, cyl ears 1-1/4" hole spaced 2"
2		Bolt, 1/2" NC x 3-1/2" w/ nut
3		Grease zerk, straight
4	A10152A	Pin, Frame attachment, 2" OD x 8-1/16" Long
5		Hair pin
6	A10153	Pin, Transport lock
7		Bolt, 7/8" NC x 5"
8		Nut, 7/8" NC
9		Lockwasher, 7/8"
10	A14002	Cast socket half, rear
11	A14003	Cast socket half, front w/ zerk hole
12	A2206	Grease zerk, long shank
13 **	A14039	Bushing, 2.375 OD x 2.00 ID x 2" Long, Grease Passage <i>For serial number 20319 and above</i>



I-130-apron

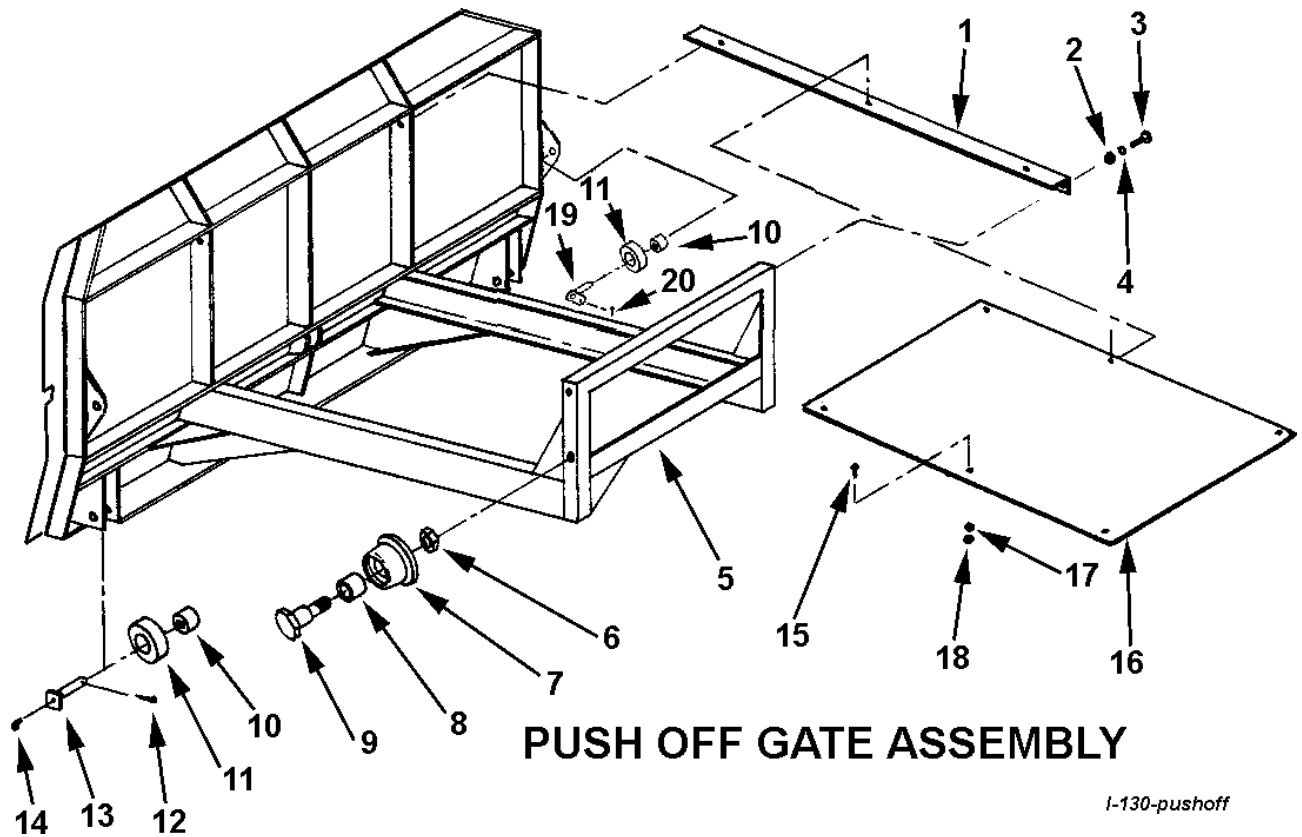
KEY NO.	PART NO.	DESCRIPTION
1	A13002 A13013	Apron Apron, s/n 17806 & up. w/ antiboard apron pin brkt & 1-1/4" hole in lift cyl ears spaced 2-1/4"
2		Self lock nut, 1-1/4" NF Self lock nut, 1-1/2" NF
3	A6010	Shoulder pin, 1-5/8" to 1-1/4" w/ zerk in head
4		Bolt, 1-1/2" NF x 6" lg, s/n 17806 & up
5	A10155	Grease fitting, 1/8" NPT
6	A16027	Bushing, 1-1/2" OD x 1-1/2" ID x 1" long Bushing, 2" OD x 1-1/2" ID x 2" long, s/n 17806 & up

BOWL AND FRAME ASSEMBLY



115-130 bowl

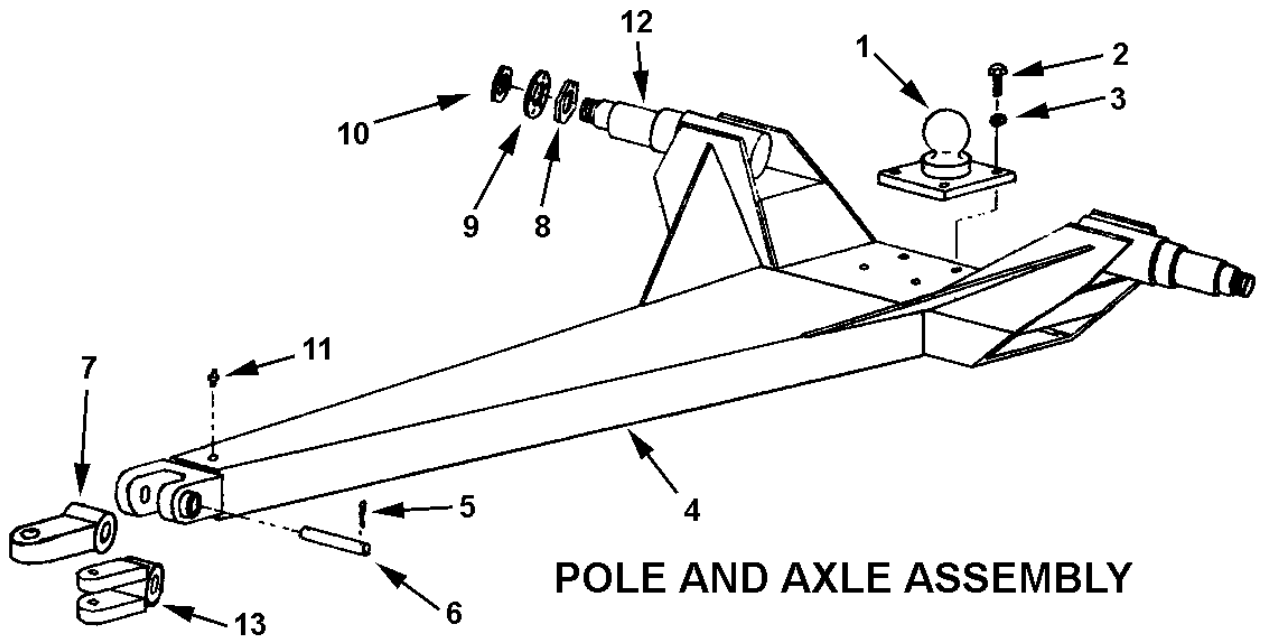
KEY NO.	PART NO.	DESCRIPTION
1	A13003	Bowl and Frame I-130, up to s/n 17805
	A13012	Bowl and Frame I-130, s/n 17806 & up
2	6835	Bolt, 3/8" NC x 1"
3	A10157	Left hand cylinder guard
4	A10158	Right hand cylinder guard
5	8078	3/8" Lockwasher
6	7450	Nut, 3/8" NC
7	A10011A	Left cutting edge, 8"
8	A10012A	Center cutting edge, 12" x 54"
9	A10010A	Right cutting edge, 8"
10	PB8P-NC-063-0250	Plow bolt, 5/8" NC x 2-1/2" (12 req'd)
11	A14031A	(Optional) Left Bank Shaver Side Blade (s/n 17582 +)
12	A14032A	(Optional) Right Bank Shaver Side Blade (s/n 17582 +)
13	PB8P-NC-063-0200	Plow bolt, 5/8" NC x 2" (6 req'd / blade)
14	PB8P-NC-063-0250	Plow Bolt, 5/8" NC x 2-1/2" (7 req'd / blade)
10, 13, 14	7530	Nuts for Plow Bolts: 5/8" NC (25 req'd total)



PUSH OFF GATE ASSEMBLY

I-130-pushoff

KEY NO.	PART NO.	DESCRIPTION
1	A13004	Brace, R. H. & L. H. same
2		Nut, 3/4" NC
3		Bolt, 3/4" NC x 1-1/2" lg.
4		Lockwasher, 3/4"
5	A13005	Push off gate
6		Jam nut, 1-1/4" NF
7	A10161	Gate roller, rear
8	A10162	Bushing, 2" OD x 1-5/8" ID x 1-7/16"
9	A10008	Shoulder pin, 1-5/8" to 1-1/4" w/ zerk in thd. end
10	A10163	Bushing, 1-3/4" OD x 1-1/4" ID x 2-3/8"
11	A10164	Gate roller, front, 4-1/4" OD
12		Cotter pin, 1/4" x 2" lg.
13	A6007A	Pin, 1-1/4" x 4-1/8" lg.
14		Grease zerk, 90° x 1/8" NPT
15		Bolt, 1/4" x 1" NC
16	A10171	Dirt shield
17		Nut, 1/4" NC
18		Lockwasher, 1/4"
19	A123288	Pin, 1-1/4" dia. x 2-3/8" lg. tab head w/ zerk
20		Bolt, 5/8" x 1-1/4" NC

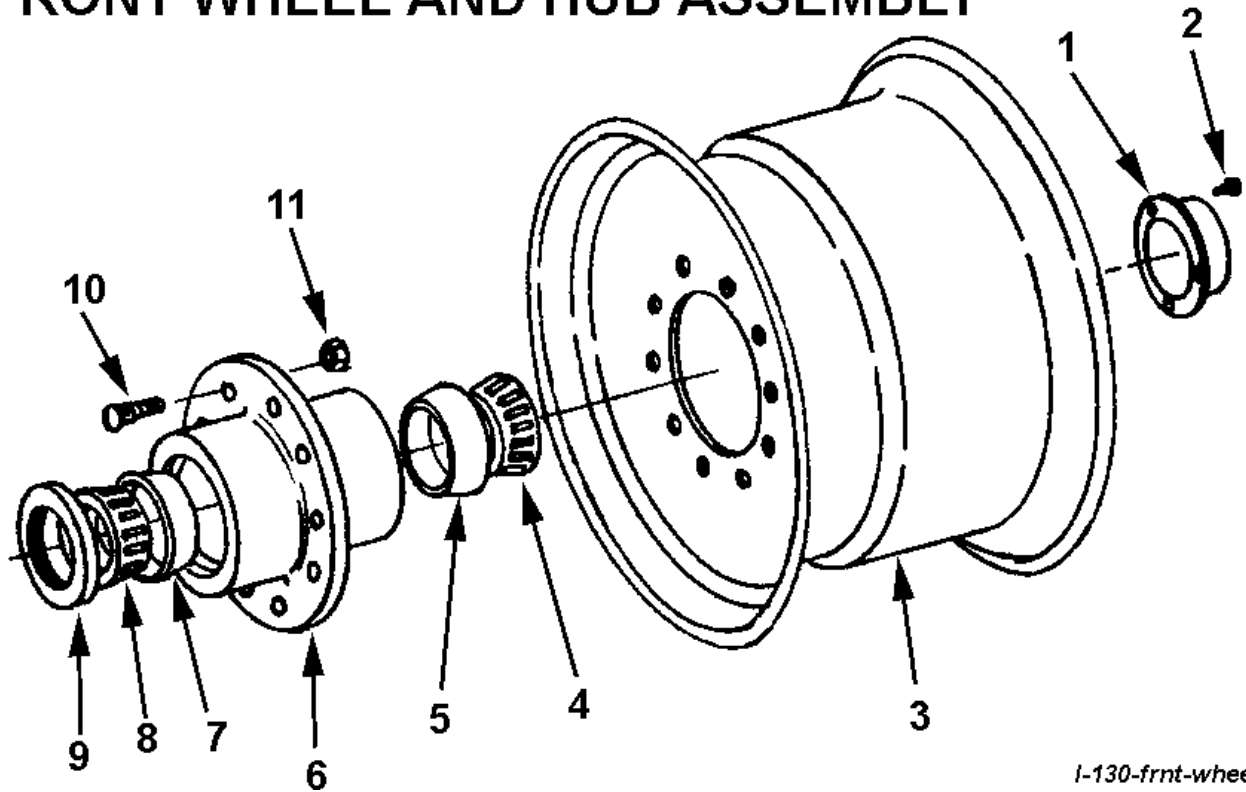


POLE AND AXLE ASSEMBLY

I-130-pole

KEY NO.	PART NO.	DESCRIPTION
1	A14017	Ball Swivel
2		Bolt, 1" NC x 3" lg.
3		Lockwasher, 1"
4	A13006	Pole
5		Cotter pin, 5/16" x 3"
6	A14019	Pin, 1-3/4" x 7-3/8" lg.
7	A14020A	Swivel hitch single lip
8	A10172	Nut w/ lock pin
9	A10049A	Lock collar
10	A10048	Spindle nut
11		Grease fitting
12	A14021	Spindle (weld on)
13	A14020	Swivel hitch, double lip (optional)

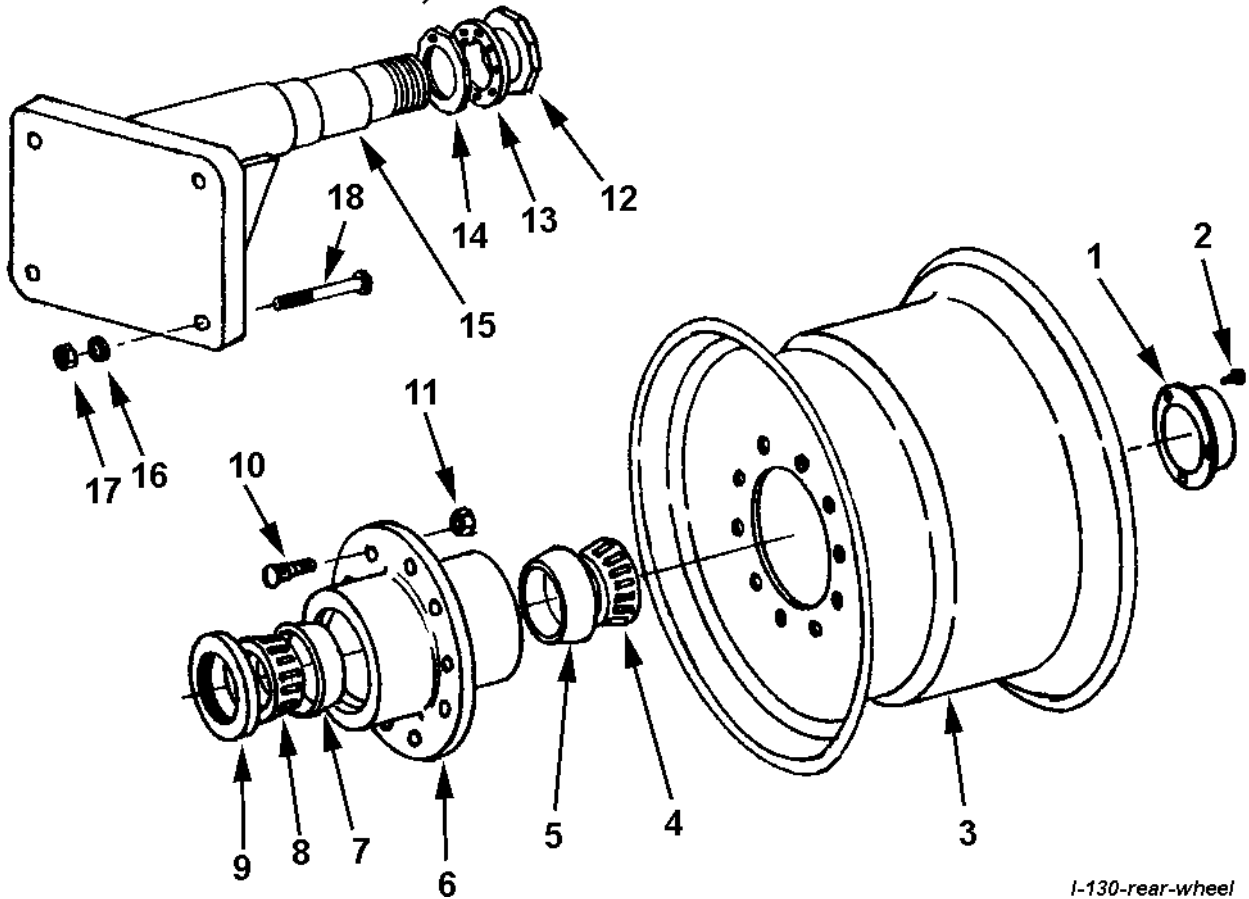
FRONT WHEEL AND HUB ASSEMBLY



I-130-frnt-wheel

KEY NO.	PART NO.	DESCRIPTION
1	A14004	Hub cap
2		Bolt, 5/16 NC x 5/8 lg.
3	A13007	Wheel, 18 x 16.1
4	A14015	Bearing cone (Timken 644)
5	A14014	Bearing cup (Timken 632)
6	A14010	Hub
7	A14013	Bearing cup (Timken 742)
8	A14012	Bearing cone (Timken 749)
9	A14011	Grease seal (CR 42624)
10	A10176	Stud
11	A10046	Lug nut

REAR WHEEL, SPINDLE & HUB ASSEMBLY



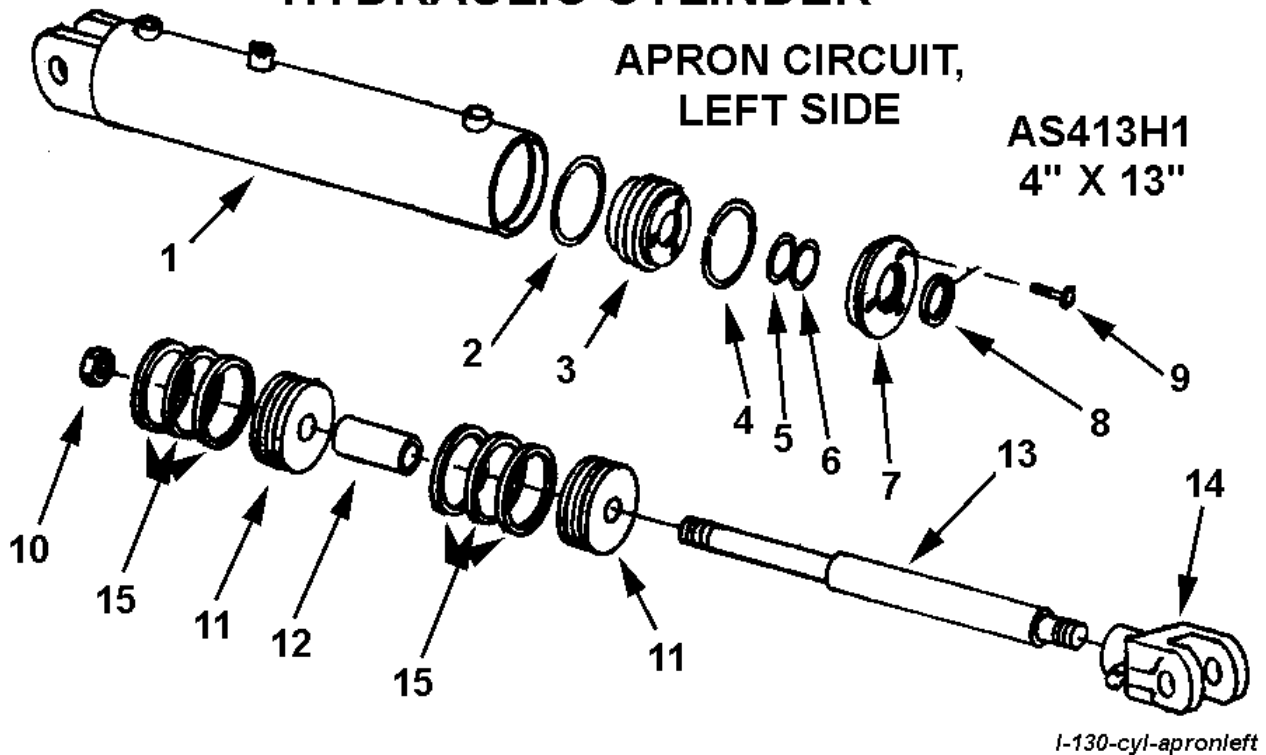
I-130-rear-wheel

KEY NO.	PART NO.	DESCRIPTION
1	A14004	Hub cap
2		Bolt, 5/16 NC x 5/8 lg.
3	A10039	Wheel, 16 x 26 Drop Center
4	A14015	Bearing cone (Timken 644)
5	A14014	Bearing cup (Timken 632)
6	A14010	Hub
7	A14013	Bearing cup (Timken 742)
8	A14012	Bearing cone (Timken 749)
9	A14011	Grease seal (CR 42624)
10	A10176	Stud
11	A10046	Lug nut
12	A10048	Spindle nut
13	A10172	Lock collar
14	A14037	Nut w/ lock pin
15		Spindle
16		Lockwasher, 1"
17		Nut, 1" NC
18		Bolt, 1" NC x 6-1/2" lg.

HYDRAULIC CYLINDER

APRON CIRCUIT, LEFT SIDE

AS413H1
4" X 13"



1-130-cyl-apronleft

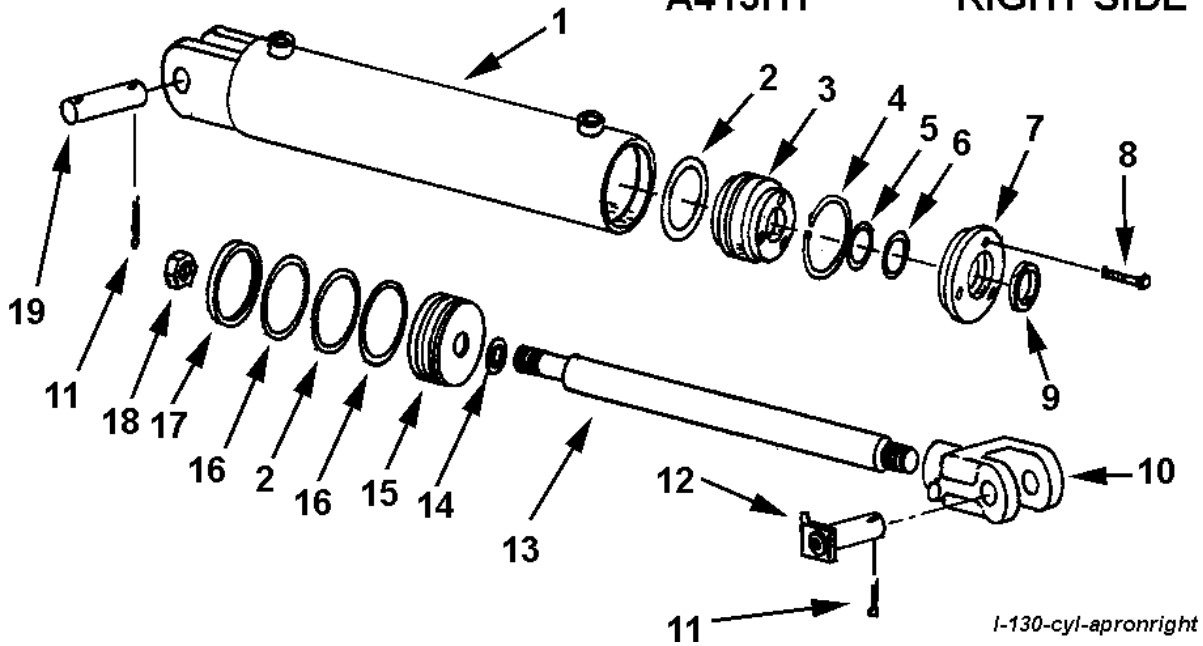
For s/n 17863 & up

KEY NO.	PART NO.	DESCRIPTION
1	A175H13	Barrel
2	A300H06	O-ring, 4" OD x 3/16"
3	A300H11	Head gland
4	A300H12	Retainer ring
5	A22H15	O-ring, 1-1/2" ID x 1/8"
6	A22H15A	Backup washer, 1-1/2" ID
7	A300H13	Gland cap
8	A22H17	Wiper seal, 1-1/2" ID
9	A22H18	Capscrew, 1/4" NC x 1"
10	A300H03	Piston nut
11	A450H15	Piston, 4"
12	A130H12	Piston spacer
13	A175H14	Shaft, 1-1/2" diameter
14	A12H03	Clevis end
15	A300H04	Cast iron rings, 4" OD
	A130H23	Packing kit containing:
	6 - A300H04	1 - A22H17
	1 - A22H15A	1 - A300H06
		1 - A22H15

HYDRAULIC CYLINDER

4" x 13"
A413H1

APRON CIRCUIT,
RIGHT SIDE



I-130-cyl-apronright

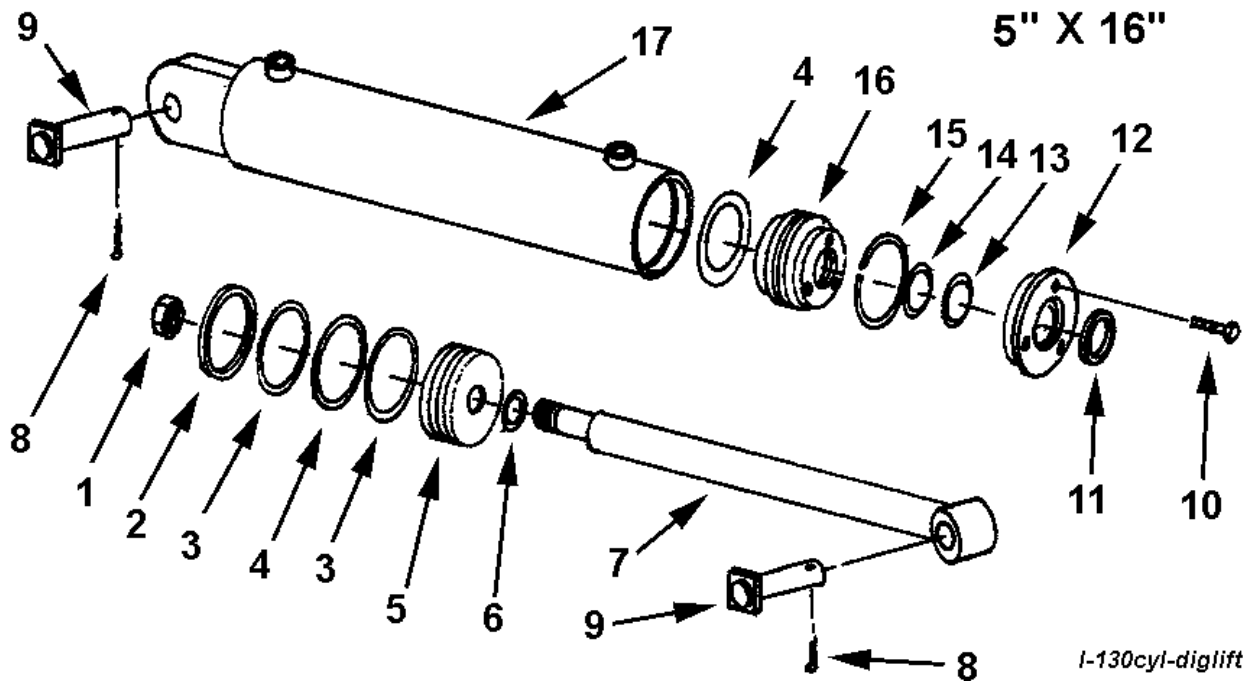
for s/n 17863 & up

KEY NO.	PART NO.	DESCRIPTION
1	A175H01	Barrel Assembly
2	A300H06	O-ring seal, 4" OD x 3/16"
3	A300H11	Head gland
4	A300H12	Retainer ring
5	A22H15	O-ring, 1-1/2" x 1/8"
6	A22H15A	Backup washer
7	A300H13	Head cap
8	A22H18	Capscrew, 1/4 NC x 1"
9	A22H17	Wiper seal, 1-1/2" ID
10	A12H03	Clevis end
11		Cotter pin, 3/16" x 1-1/2"
12	A10167	Pin, 1" x 3-1/16"
13	A175H02	Shaft, 1-1/2" diameter
14	A45H05	Piston gasket, 1"
15	A300H07	Piston, 4" dia.
16	A300H05	Back up washer, 4" OD
17	A300H04	Cast iron ring, 4" OD
18	A300H03	Piston nut, 1" NF
19	A1217	Pin, 1" x 3-1/2"
	A300H14B	Packing kit containing:

DESCRIPTION

1 - A300H04	2 - A22H15	2 - A300H05
1 - A22H15A	2 - A22H06	1 - A22H17
1 - A45H05		

HYDRAULIC CYLINDER DIG AND LIFT CIRCUIT

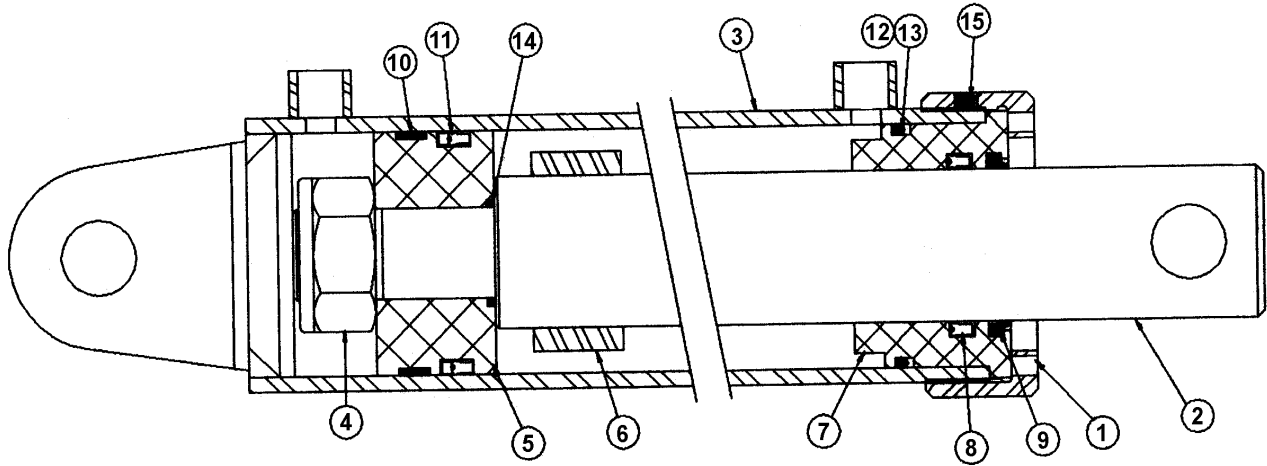


I-130cyl-diglift

CYLINDER PART NO. A516H114A

KEY NO.	PART NO.	DESCRIPTION	
1	A400H17	Lock nut, 1-1/4" NF	
2	A400H04	Cast iron ring, 5" OD	
3	A400H05	Backup washer, 5" OD	
4	A400H06	O-ring, 5" OD x 1/4"	
5	A400H07	Piston, 5" OD	
6	A60H52	O-ring, 1-1/4" ID x 1/8"	
7	A130H28	Shaft, 2" dia.	
8		Cotter pin, 3/16" x 1-1/2"	
9	A6007A	Pin, 1-1/4" x 4-1/4"	
10	A22H18A	Capscrew, 5/16" NC x 1"	
11	A400H14	Wiper seal	
12	A400H13	Head cap	
13	A400H12	O-ring, 2" ID	
14	A400H12A	Backup washer, 2" ID	
15	A400H11	Retainer ring	
16	A400H10	Head gland, 5" OD	
17	A130H27	Barrel Assembly, 5" ID	
	A400H15C	Packing kit containing:	
	1 - A400H04	1 - A400H11	2 - A400H05
	1 - A400H14	2 - A400H06	1 - A400H12
	1 - A60H52	1 - A400H12A	

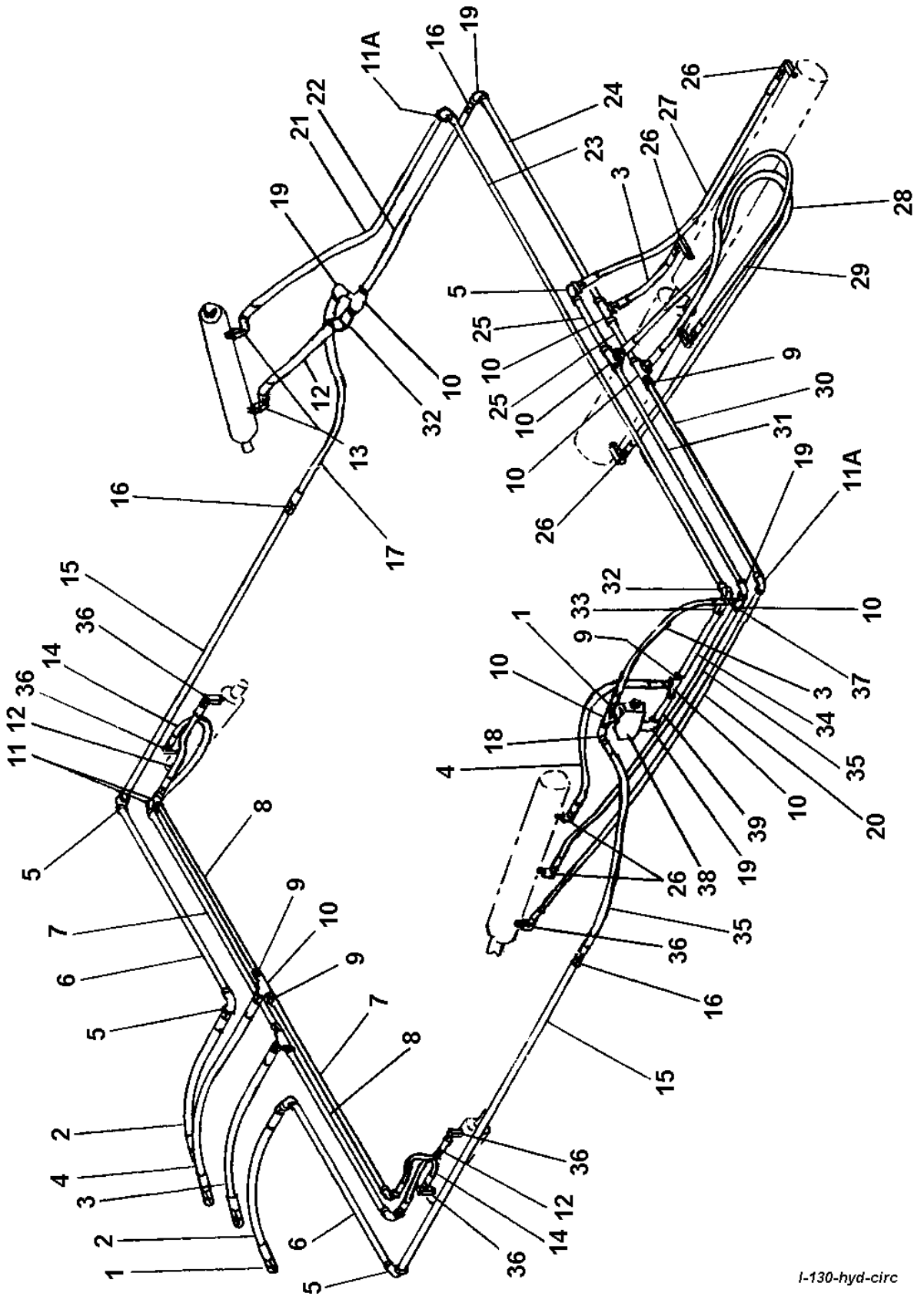
I-130 PUSH GATE CYLINDER ASSEMBLY PART NO. A455H114
 4 1/2" BORE X 54" STROKE - MODEL I-130 (SERIAL NO. 17870 & UP)



I-130-cyl-push

KEY NO.	QTY.	PART NO.	DESCRIPTION
1	1	A175H10	Collar
2	1	A130H30	2 1/2" Rod
3	1	A130H29	Barrel weldment
4	1	A140H13	Lock nut (2" - 12)
5	1	A175H12	Piston
6	1	A17506	Spacer
7	1	A175H09	Head
8	1	A140H07	Rod seal
9	1	A140H08	Rod wiper
10	1	A175H07	Wear ring
11	1	A175H05	Piston seal
12	1	A175H03	O-ring
13	1	A175H04	Backup ring
14	1	A140H14	O-ring
15	1		Nylon tip set screw (3/8" NC x 3/8)
16	1	A175H15	Seal kit (Items 8-14)

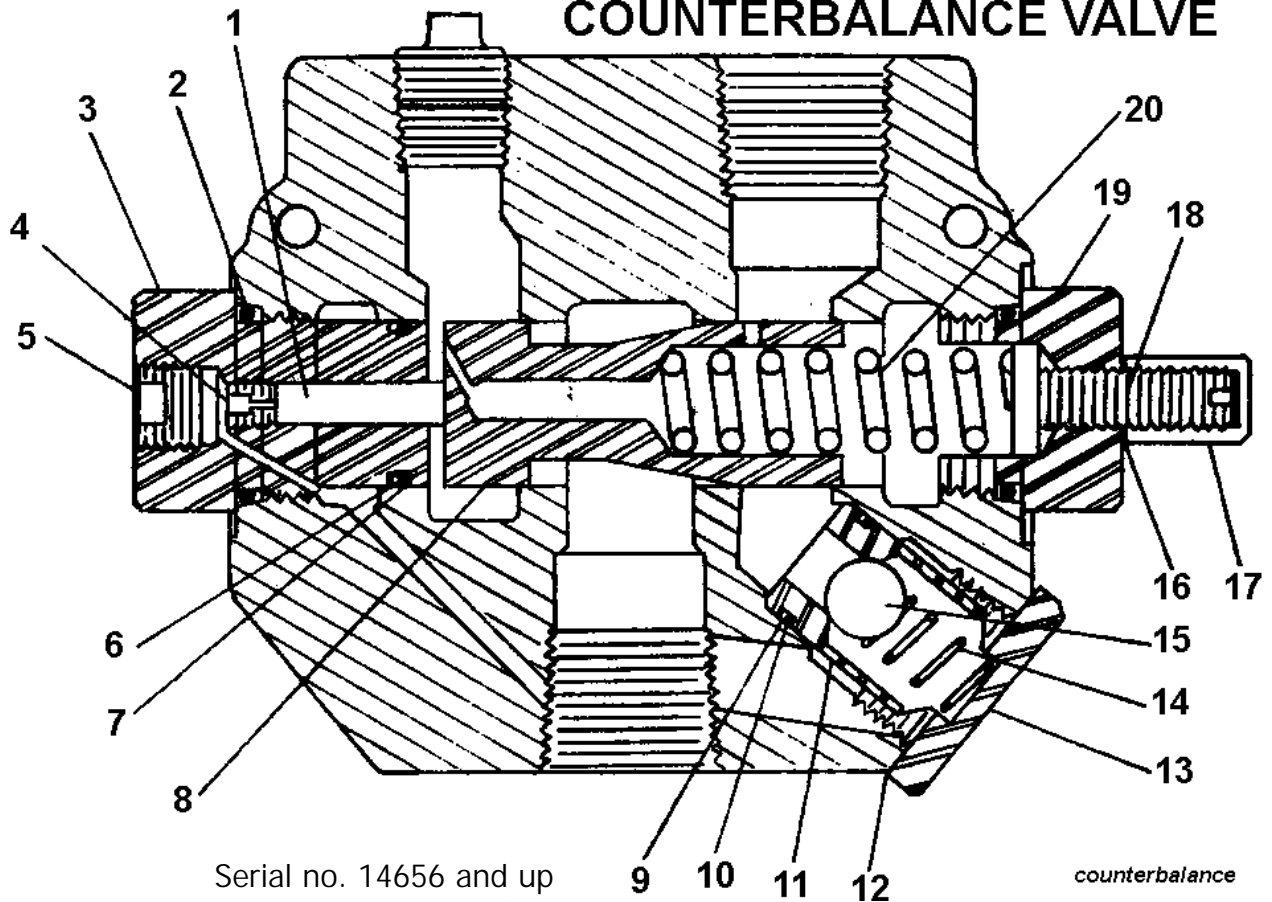
ILLUSTRATION - HYDRAULIC CIRCUIT



PARTS LIST- HYDRAULIC CIRCUIT

KEY NO.	NO. REQ'D	PART NO.	DESCRIPTION
1	5	A101H72	Swivel adapter, str. 3/4 male x female
2	2	A101H32	Hose, 3/4 x 21 long
3	3	A101H31A	Hose, 3/4 x 24-1/2 long
4	1		Hose, 3/4 x 28 long
5	5		Elbow, 90° x 3/4 NPT, Steel
6	2		Pipe, 3/4 x 48-3/4 long
7	2		Pipe, 1/2 x 38-1/4 long
8	2		Pipe, 1/2 x 35-3/4 long
9	7		Pipe bushing, 1/2 NPT x 3/4 NPT
10	9		Pipe tee, 3/4 NPT, Steel
11	4		Elbow, 90°, 1/2 NPT, Cast
11A	2		Elbow, 90°, 1/2 NPT, Steel
12	3	A45H06	Hose, 1/2 x 24 long
13	2	A45H07	Swivel adapter, 90°, 3/8 NPT x 1/2 NPT
14	2	A60H01A	Hose, 1/2 x 18 long
15	2		Pipe, 3/4 x 78-1/2 long
16	3	A101H35	Swivel adapter, str. 3/4 female x female
17	2	A101H36	Hose, 3/4 x 33 long
18	1		Street elbow, 45° x 3/4 NPT
19	4		Street elbow, 90°, 3/4 NPT, Steel
20	1	A101H82	Hose, 1/2 x 56 long
21	1	A80H29	Hose, 1/2 x 46 long
22	1		Pipe, 3/4 x 28 long
23	1		Pipe, 1/2 x 98 long
24	1		Pipe, 3/4 x 45-3/4 long
25	2		Pipe, 3/4 x 7 long
26	6	A101H77	Swivel adapter, 90°, 3/4 NPT
27	1	A101H38A	Hose, 3/4 x 71 long
28	1	A140H17A	Hose, 3/4 x 77 long
29	1	A130H21	Hose, 3/4 x 56 long
30	1		Pipe, 1/2 x 42-3/4 long
31	1		Pipe, 3/4 x 46-3/4 long
32	3	A101H73	Street elbow, 90°, 1/2 NPT, Steel
33	1	A101H74	Swivel adapter, str. 1/2 female x female
34	1		Pipe, 1/2 x 11-3/4 long
35	1	A101H42	Hose, 3/4 x 42 long
36	5	A400H02	Swivel adapter, 90° x 1/2 NPT
37	1	A101H75	Check valve
38	1	A101H48	Counterbalance valve
39	1		Pipe nipple, 3/4 x 5-1/2 long

COUNTERBALANCE VALVE



Serial no. 14656 and up

KEY NO.	PART NO.	DESCRIPTION
1	A101H49	Piston
2	A101H50	O-ring
3	A101H51	External pilot plug
4	A101H52	Orifice
5	A101H53	Plug
6	A101H54	O-ring
7	A101H55	Backup washer
*8	A101H56	Metering spool
9	A101H57	Backup washer
10	A101H58	O-ring
11	A101H59	Check seat
12	A101H60	Aluminum washer
13	A101H61	Check plug
14	A101H62	Check spring
15	A101H63	Check ball
16	A101H64	Aluminum washer
17	A101H65	Acorn nut
18	A101H66	Adjusting screw
19	A101H67	Adjusting plug - RD1075 CB
20	A101H68	Metering spring
*	A101H71	Valve body

counterbalance

* NOT SOLD SEPARATELY

COUNTERBALANCE VALVE

PURPOSE of the counterbalance valve is to prevent the front gate from closing before the rear pushgate is fully retracted when the scraper is empty. This enables the operator to start the next cut without having to reopen the gate from the closed position.

INSTRUCTIONS for establishing counterbalance valve setting:

When properly adjusted, the front gate will close 40% from full open position (26 ½" from bottom of gate to cutting edge) and hold at that position until the rear pushgate is fully retracted. If the front gate is closing more than 40%, loosen the lock nut under the hex socket head screw and turn the screw clockwise until the front gate holds at that position. Turn an additional ¼ turn clockwise, then tighten the lock nut. DO NOT turn the adjusting screw more than is necessary to hold the front gate at 40% open.

Limited Warranty Statement

Ashland Industries Inc. warrants each new product to be free from defects in material and workmanship. This warranty is applicable only for the normal service life expectancy of the product or components, not to exceed six consecutive months from the date of delivery of the new Ashland Industries product to the original purchaser.

Genuine Ashland Industries Inc. replacement parts and components will be warranted for 30 days from date of purchase, or the remainder of the original equipment warranty period, whichever is longer.

Under no circumstances will it cover any merchandise or components thereof, which in the opinion of the company, has been subjected to misuse, unauthorized modification, alterations, an accident or if repairs have been made with parts other than those obtained through Ashland Industries Inc.

Ashland Industries Inc. in no way warrants Tires since these items are warranted separately by their respective manufacturer. Please call Ashland Industries Inc. to receive phone numbers of tire suppliers.

Ashland Industries Inc. in no way warrants wearable items such as cutting edges, front dolly wheel balls, socket halves.

Our obligation under this warranty shall be limited to repairing or replacing, free of charge to the original purchaser, any part that, in our judgement, shall show evidence of such defect, provided further that such part shall be returned within 30 days from the date of failure to Ashland Industries Inc. routed through the dealer and distributor from whom the purchase was made, transportation charges prepaid. Upon warranty approval proper credits will be reimbursed for transportation.

This warranty shall not be interpreted to render Ashland Industries Inc. liable for injury or damages of any kind or nature to person or property. This warranty does not extend to the loss revenue, extra labor cost associated with downtime, substitute machinery, rental or for any other reason.

Except as set forth above, Ashland Industries Inc. shall have no obligation or liability of any kind on account of any of its equipment and shall not be liable for special or consequential damages. Ashland Industries Inc. make no other warranty, expressed or implied, and, specifically, Ashland Industries Inc. disclaims any implied warrant or merchantability or fitness for a particular purpose. Some states or provinces do not permit limitations or exclusions of implied warranties or incidental or consequential damages, so the limitations or exclusion in this warranty may not apply.

This warranty is subject to any existing conditions of supply which may direct affect our ability to obtain materials or manufacture replacement parts.

Ashland Industries Inc. reserves the right to make improvements in design or changes in specifications at any time, without incurring any obligation to owners of units previously sold

No one is authorized to alter, Modify or enlarge this warranty nor the exclusion, limitations and reservations.

Ashland Industries Inc.
Warranty Department