

Ashland **INDUSTRIES, INC.™**

*Quality
Equipment
Since
1953*

I-130 PARTS MANUAL

Version 2-03



Ashland Industries Inc.
1115 Rail Drive
P.O. Box 717
Ashland, WI. 54806
Ph: 877-634-4622 *Toll Free*
Ph: 715-682-4622
Fx: 715-682-9717
www.ashlandind.com

MEMBER
CIMA
CONSTRUCTION INDUSTRY
MANUFACTURERS ASSOCIATION



HOW TO ORDER PARTS:

IMPORTANT

Parts must be ordered through your local authorized ASHLAND dealer.

Be sure to state MODEL and SERIAL NUMBER of your machine, PART NUMBER, DESCRIPTION and QUANTITY needed.

Unless this is done, we cannot provide prompt service or assure shipment of the correct parts.



Ashland Industries weldable replacement parts are available to rebuild, modify or update your scraper to current factory specifications.

INDEX

Page 3.	Operators and Maintenance Instructions
Page 4.	Illustration - Assembly
Page 5.	Illustration and Parts List - Gooseneck Frame Assembly
Page 6.	Illustration and Parts List - Apron Assembly
Page 7.	Illustration and Parts List - Bowl and Frame Assembly
Page 8.	Illustration and Parts List - Push Off Gate Assembly
Page 9.	Illustration and Parts List - Pole and Axle Assembly
Page 10.	Illustration and Parts List - Front Wheel and Hub Assembly
Page 11.	Illustration and Parts List - Rear Wheel, Spindle and Hub Assembly
Page 12.	Illustration and Parts List - Hydraulic Cylinder, 4" x 13", Left
Page 13.	Illustration and Parts List - Hydraulic Cylinder, 4" x 13", Right
Page 14.	Illustration and Parts List - Hydraulic Cylinder, 5" x 16"
Page 15.	Illustration and Parts List - Hydraulic Cylinder, 4-1/2" x 54"
Page 16.	Illustration - Hydraulic Circuit
Page 17.	Parts List - Hydraulic Circuit
Page 18.	Counterbalance Valve
Page 19.	Counterbalance Valve Adjustment Instructions
Page 20-24.	Service Manual Appendix
Page 25-26.	Troubleshooting
Page 27.	Warranty Statement

OPERATORS AND MAINTENANCE INSTRUCTIONS

This scraper is a durable piece of equipment and with proper care will yield many years of trouble free operation. The scraper requires a power source with TWO 4 way (double acting) hydraulic control valves.

The scraper should be greased at all points where grease fittings are provided. Connect hydraulic hoses to the tractor and retract lift cylinders to REMOVE TRANSPORT LOCK PINS (point A), then extend and retract all cylinders several times to force out any air from the hydraulic cylinders and lines. Check the oil levels in the tractor hydraulic system and add to maintain the proper level. Care should be used when adding oil or when disconnecting any oil line to keep all dirt out of the oil as dirt is a major factor in the failure of hydraulic components.


When the scraper is placed into operation, the operator will have to "feel out" the amount of depth of cut to obtain maximum loading efficiency. This is usually accomplished by taking a lesser and more uniform cut; however, some soil conditions such as loose sand may require a "pumping action" obtained by taking successive deep cuts and lifting out of cut as the tractor begins to lose power or traction.


1. After 10 hours work, all bolts should be checked and tightened if necessary.
2. Every 10 hours all grease fittings should be lubricated.
3. After 50 hours work, all bolts should be rechecked and tightened if necessary. Check wheel bearings and adjust if necessary.
4. After 300 hours work, clean and repack wheel bearings and replace, if necessary, cutting edges, worn pins, etc.




SAFETY SIGNAL WORDS

Note the use of the signal words DANGER, WARNING and CAUTION with the safety messages. The appropriate signal word for each has been selected using the following guidelines:

 **DANGER:** Indicates an imminently hazardous situation that, if not avoided, will result in death or serious injury. This signal word is to be limited to the most extreme situations typically for machine components which, for functional purposes, cannot be guarded.

 **WARNING:** Indicates a potentially hazardous situation that, if not avoided, could result in death or serious injury, and includes hazards that are exposed when guards are removed. It may also be used to alert against unsafe practices.

 **CAUTION:** Indicates a potentially hazardous situation that, if not avoided, may result in minor or moderate injury. It may also be used to alert against unsafe practices.



GENERAL SAFETY GUIDELINES

Safety of the operator is one of the main concerns in designing and developing a new piece of equipment. Designers and manufacturers build in as many safety features as possible. However, every year many accidents occur which could have been avoided by a few seconds of thought and a more careful approach to handling equipment. You, the operator, can avoid many accidents by observing the following precautions in this section. To avoid personal injury, study the following precautions and insist those working with you, or for you, follow them.

Replace any CAUTION, WARNING, DANGER or instruction safety decal that is not readable or is missing. Location of such decals is indicated in this booklet.

Do not attempt to operate this equipment under the influence of drugs or alcohol.

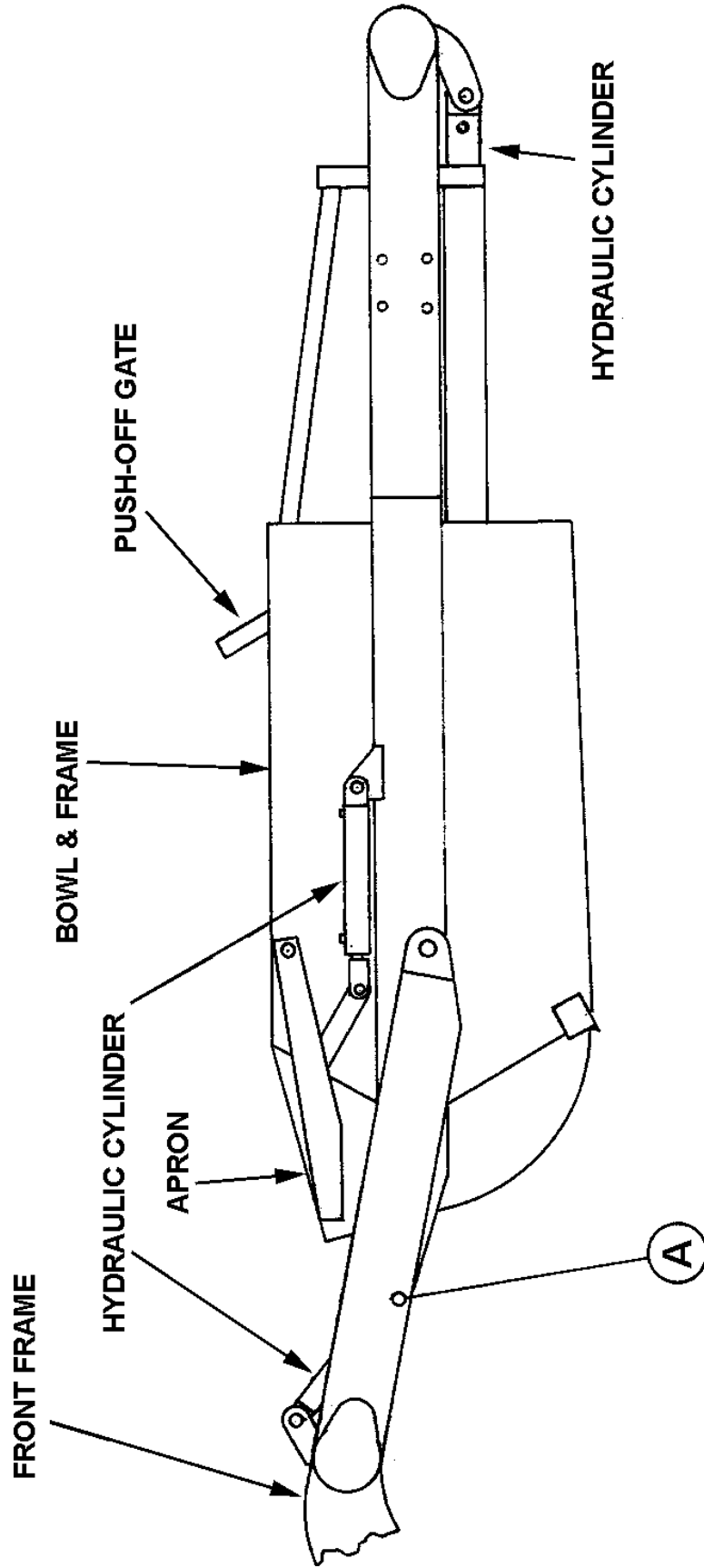
Review the safety instructions with all users annually.

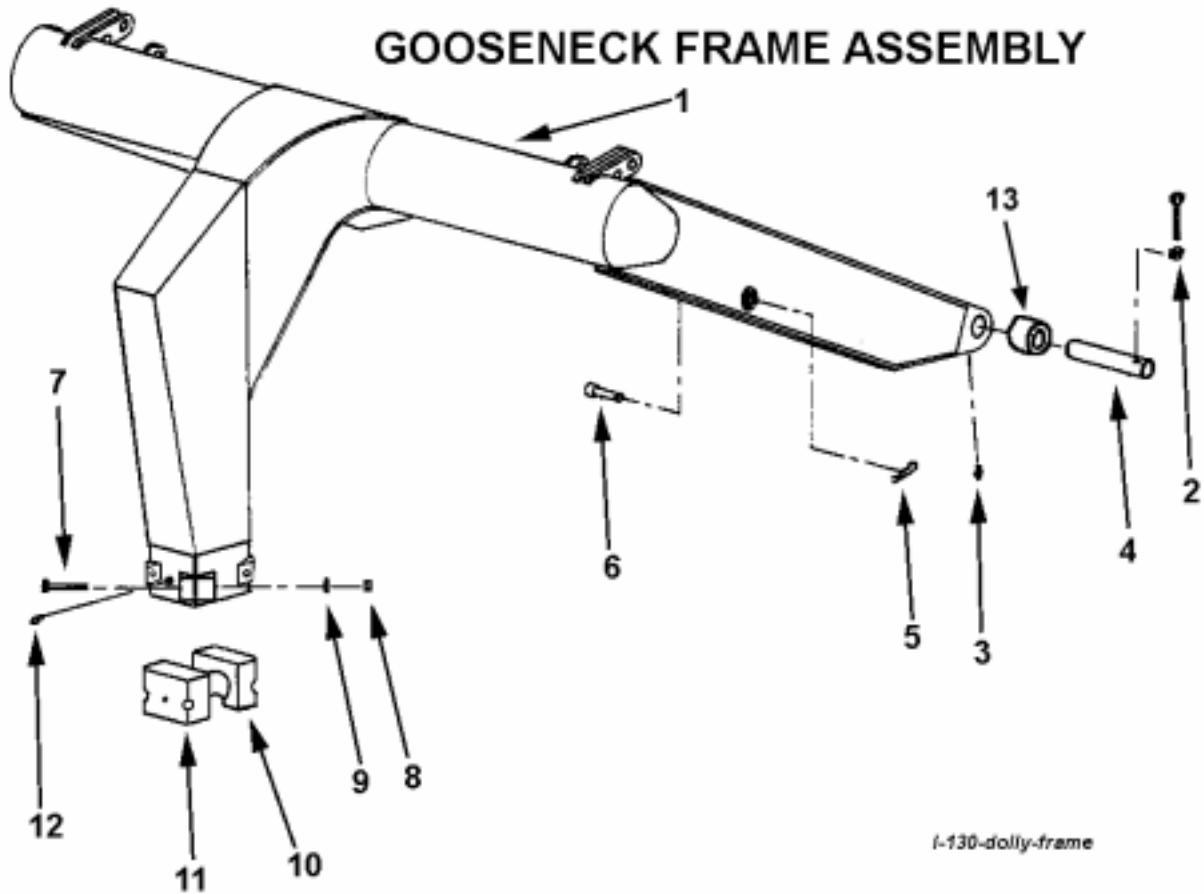
This equipment is dangerous to children and persons unfamiliar with its operation. The operator should be a responsible adult familiar with farm machinery and trained in this equipment's operations. Do not allow persons to operate or assemble this unit until they have read this manual and have developed a thorough understanding of the safety precautions and of how it works.

To prevent injury or death, use a tractor equipped with a Roll Over Protective System (ROPS). Do not paint over, remove or deface any safety signs or warning decals on your equipment. Observe all safety signs and practice the instructions on them.

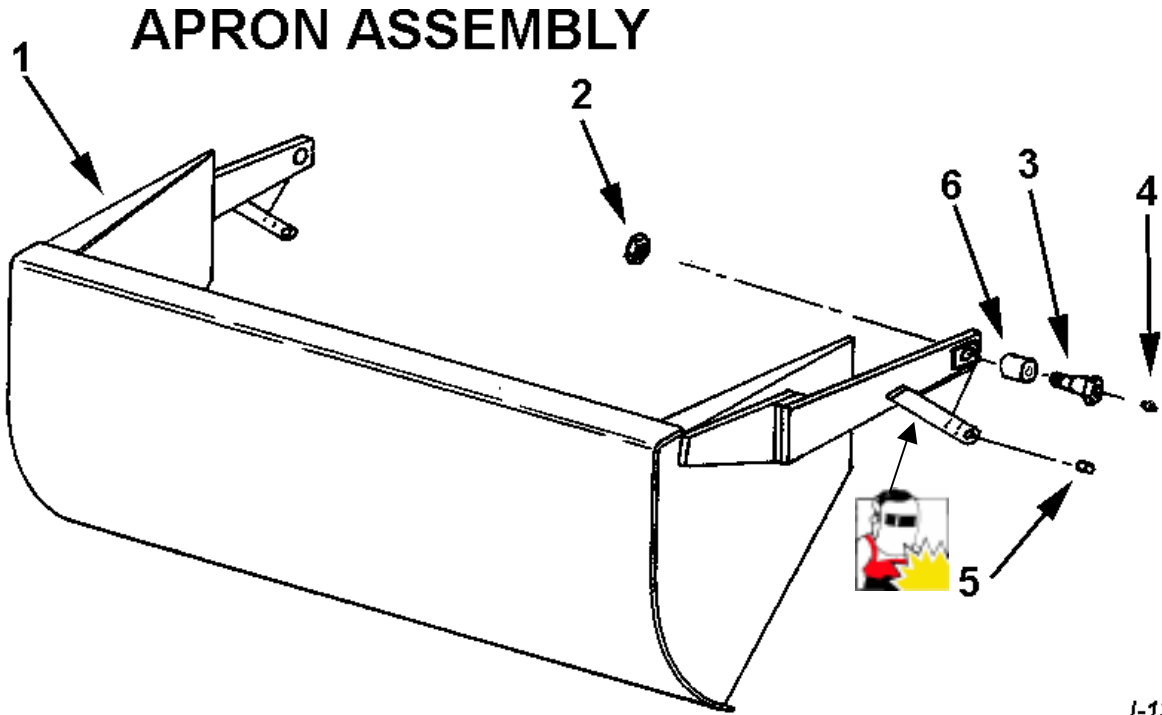
Never exceed the limits of a piece of machinery. If its ability to do a job, or to do so safely, is in question - DON'T TRY IT.

ILLUSTRATION - ASSEMBLY





KEY NO.	PART NO.	DESCRIPTION
1	A13001	Gooseneck frame
	A13011	Gooseneck frame, s/n 17806 & up, cyl ears 1-1/4" hole spaced 2"
2	AFB-00054	Bolt, 1/2" NC x 3-1/2" w/ nut (nut #7500)
3	14505	Grease zerk, straight
4	A10152A	Pin, Frame attachment, 2" OD x 8-1/16" Long
5		Hair pin
6	A10153	Pin, Transport lock
7	AFB-00081	Bolt, 7/8" NF x 5"
8	7610	Nut, 7/8" NF
9	8125	Lockwasher, 7/8"
10	A14002	Cast socket half, rear
11	A14003	Cast socket half, front w/ zerk hole
12	A2206	Grease zerk, long shank
13 **	A14039	Bushing, 2.375 OD x 2.00 ID x 2" Long, Grease Passage <i>For serial number 20319 and above</i>



I-130-apron

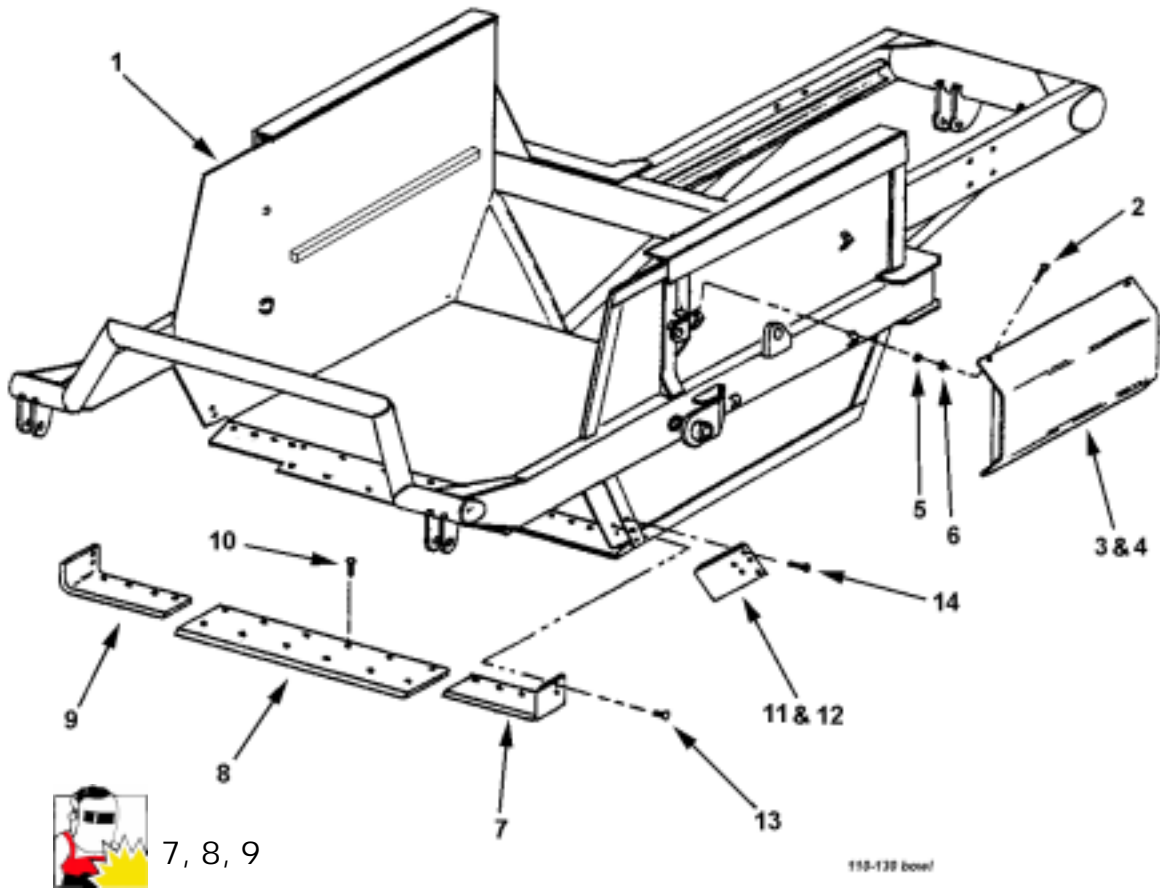
KEY NO.	PART NO.	DESCRIPTION
1	A13002 A13013	Apron Apron, s/n 17806 & up. w/ antiboard apron pin brkt & 1-1/4" hole in lift cyl ears spaced 2-1/4"
2	AFN-00009 AFN-00018	Self lock nut, 1-1/4" NF Self lock nut, 1-1/2" NF
3	A6010	Shoulder pin, 1-5/8" to 1-1/4" w/ zerk in head
4	14505	Bolt, 1-1/2" NF x 6" lg, s/n 17806 & up
5	A10155	Bushing, 1-1/2" OD x 1-1/2" ID x 1" long
6	A16027	Bushing, 2" OD x 1-1/2" ID x 2" long, s/n 17806 & up



Weldable Kits:

Part left 1" x 4" apron rod end ear, Left, Right & Gussets

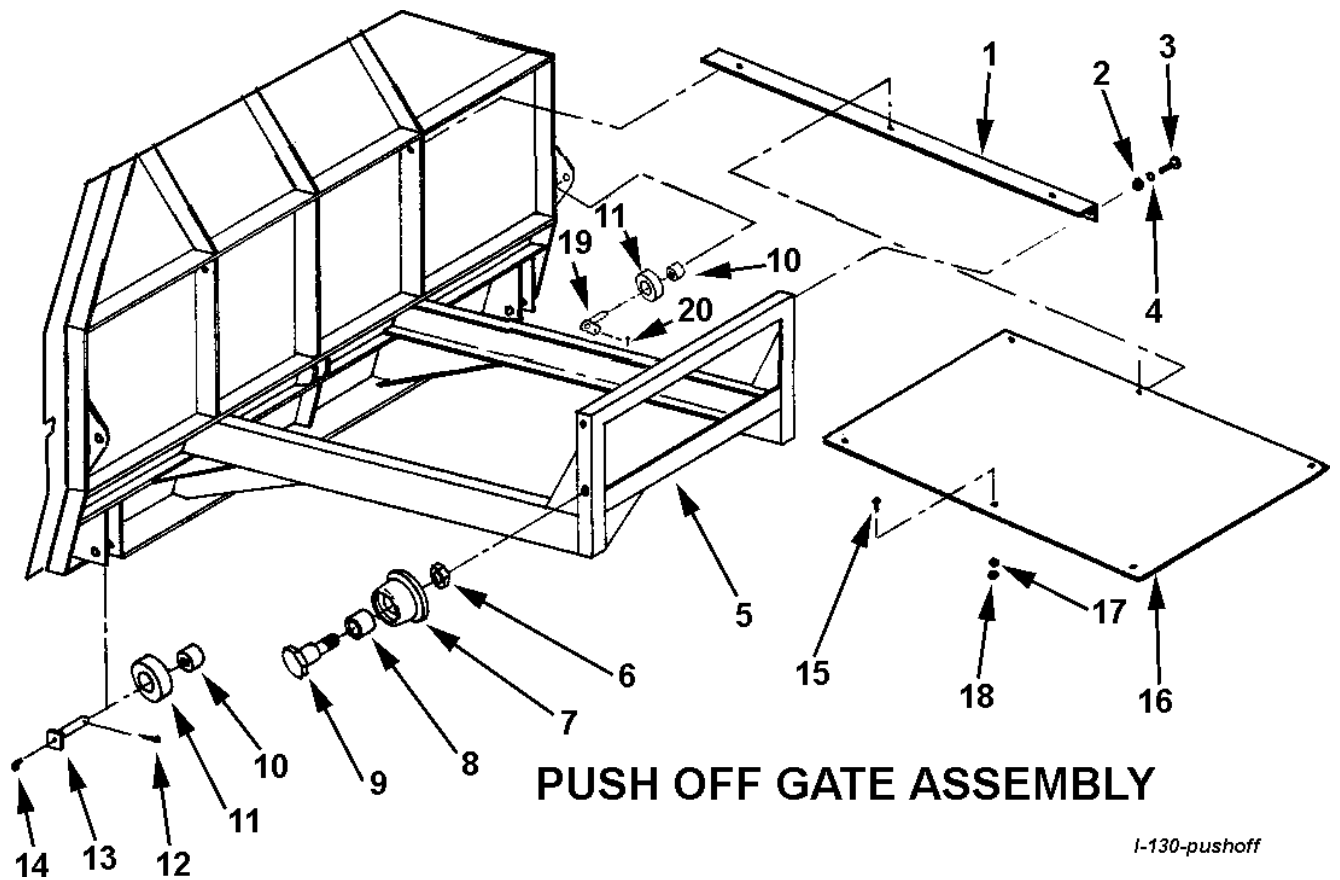
BOWL AND FRAME ASSEMBLY



KEY NO.	PART NO.	DESCRIPTION
1	A13003	Bowl and Frame I-130, up to s/n 17805
	A13012	Bowl and Frame I-130, s/n 17806 & up
2	6835	Bolt, 3/8" NC x 1"
3	A10157	Left hand cylinder guard
4	A10158	Right hand cylinder guard
5	8078	3/8" Lockwasher
6	7450	Nut, 3/8" NC
7	A10011A	Left cutting edge, 8"
8	A10012A	Center cutting edge, 12" x 54"
9	A10010A	Right cutting edge, 8"
10	PB8P-NC-063-0250	Plow bolt, 5/8" NC x 2-1/2" (12 req'd)
11	A14031A	(Optional) Left Bank Shaver Side Blade (s/n 17582 +)
12	A14032A	(Optional) Right Bank Shaver Side Blade (s/n 17582 +)
13	PB8P-NC-063-0200	Plow bolt, 5/8" NC x 2" (6 req'd / blade)
14	PB8P-NC-063-0250	Plow Bolt, 5/8" NC x 2-1/2" (7 req'd / blade)
10, 13, 14	7530	Nuts for Plow Bolts: 5/8" NC (25 req'd total)

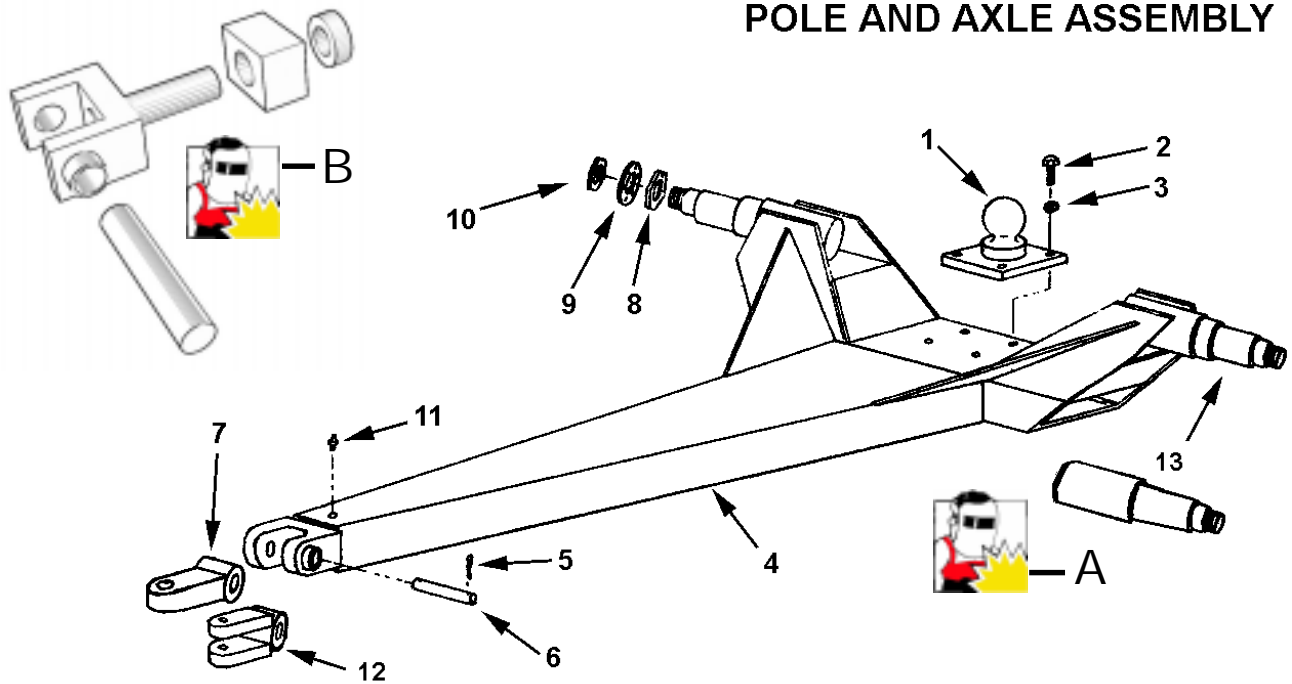


High quality boron thur - Hardened blade, need to drill frog to receive 7/8" plow bolts.



KEY NO.	PART NO.	DESCRIPTION
1	A13004	Brace, R. H. & L. H. same
2	AFN-00006	Nut, 3/4" NC
3	- -	Bolt, 3/4" NC x 1-1/2" lg.
4	AFW-00002	Lockwasher, 3/4"
5	A13005	Push off gate
6	AFN-00024	Jam nut, 1-1/4" NF
7	A10161	Gate roller, rear
8	A10162	Bushing, 2" OD x 1-5/8" ID x 1-7/16"
9	A10008	Shoulder pin, 1-5/8" to 1-1/4" w/ zerk in thd. end
10	A10163	Bushing, 1-3/4" OD x 1-1/4" ID x 2-3/8"
11	A10164	Gate roller, front, 4-1/4" OD
12	8602	Cotter pin, 1/4" x 2" lg.
13	A6007A	Pin, 1-1/4" x 4-1/8" lg.
14	AHF-00028	Grease zerk, 90° x 1/8" NPT
15	A22H18	Bolt, 1/4" x 1" NC
16	A10171	Dirt shield
17	7400	Nut, 1/4" NC
18	8060	Lockwasher, 1/4"
19	A123288	Pin, 1-1/4" dia. x 2-3/8" lg. tab head w/ zerk
20	7115	Bolt, 5/8" x 1-1/4" NC

POLE AND AXLE ASSEMBLY



I-130-pole

KEY NO.	PART NO.	DESCRIPTION
1	A14017	Ball Swivel
2	AFB-00018	Bolt, 1" NC x 3" lg.
3	AFW-00006	Lockwasher, 1"
4	A13006	Pole
5	--	Cotter pin, 5/16" x 3"
6	A14019	Pin, 1-3/4" x 7-3/8" lg.
7	A14020A	Swivel hitch single lip
8	A10172	Nut w/ lock pin
9	A10049A	Lock collar
10	A10048	Spindle nut
11	14505	Grease fitting
12	A14020	Swivel hitch, double lip (optional)



A - A14021

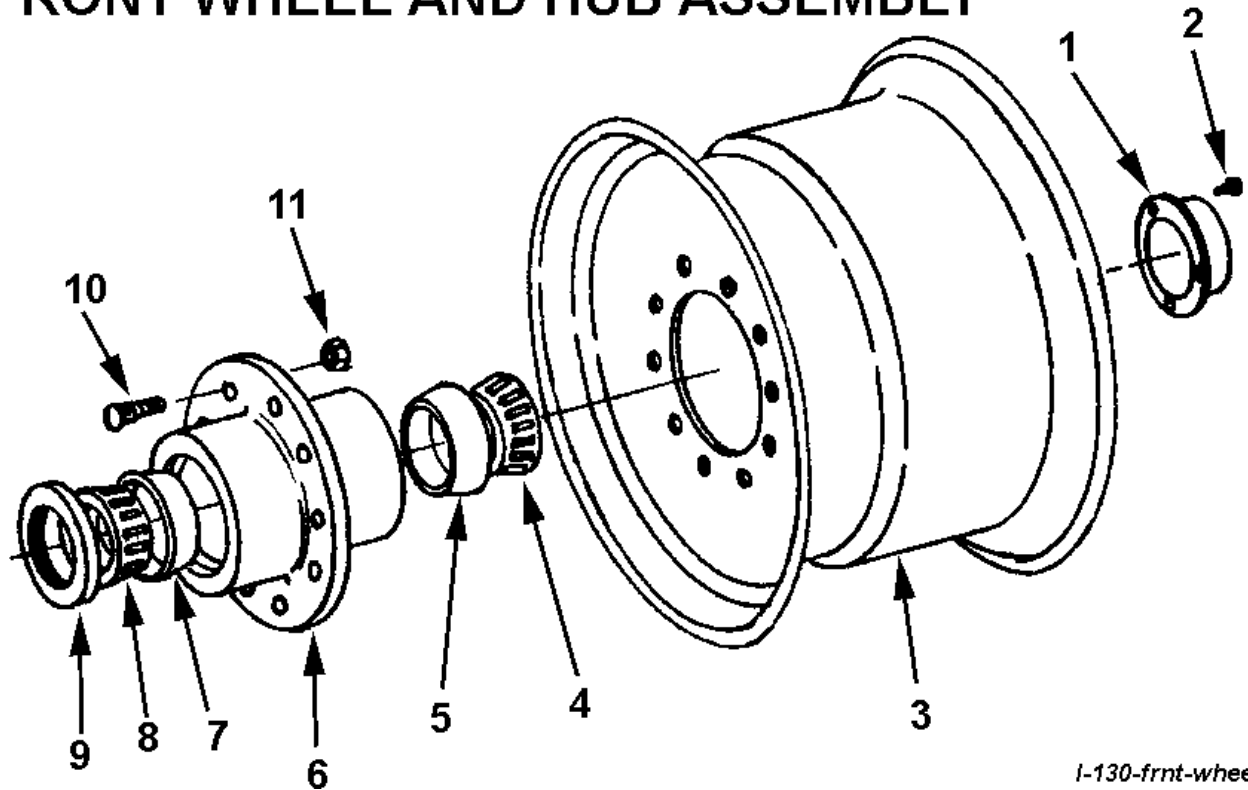
Spindle (weld on) blank



B

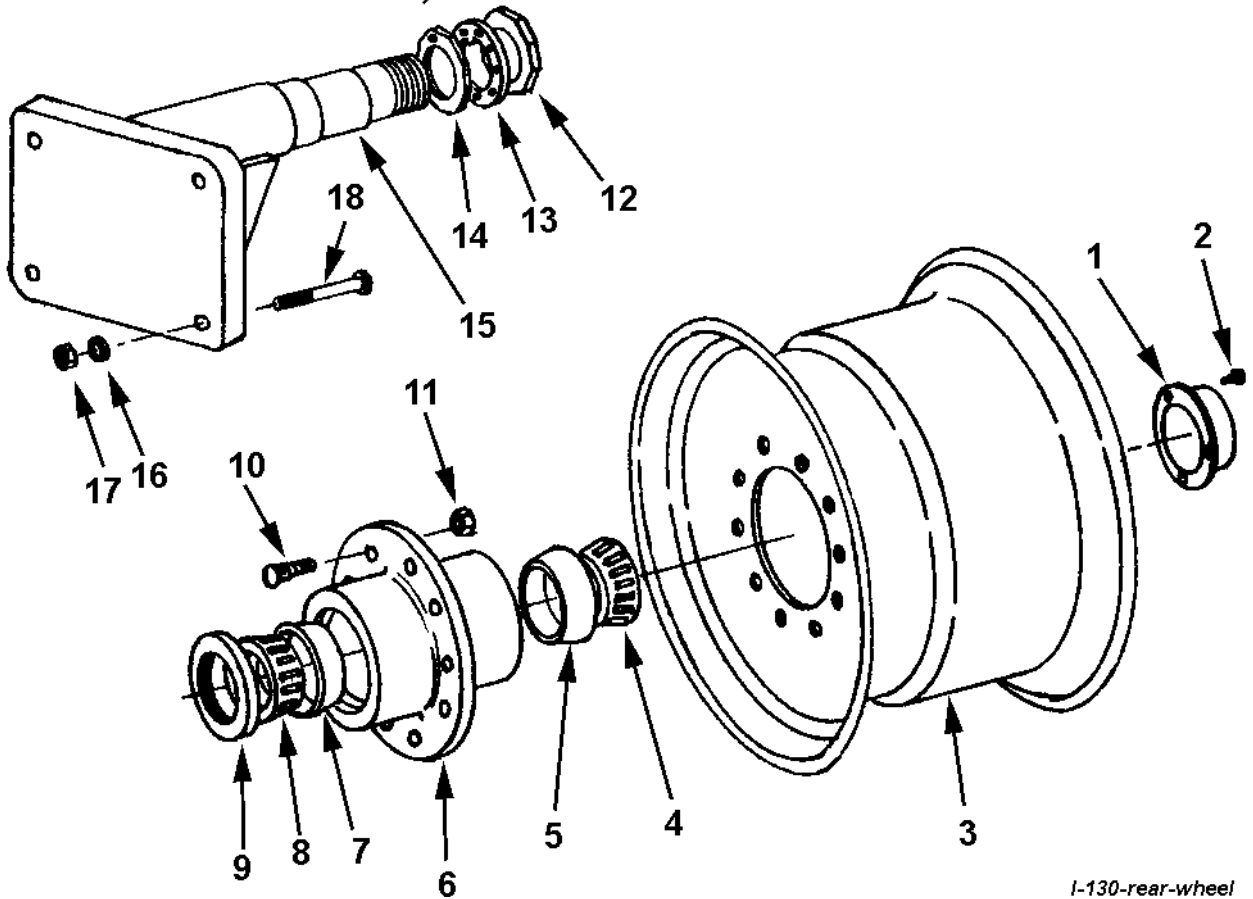
Yoke hitch rebuild kit. Includes thrust block, thrust collar, yoke, cross shaft.

FRONT WHEEL AND HUB ASSEMBLY



KEY NO.	PART NO.	DESCRIPTION
1	A14004	Hub cap
2	AFB-00026	Bolt, 5/16 NC x 3/4 lg.
3	A13007	Wheel, 18 x 16.1
4	A14015	Bearing cone (Timken 644)
5	A14014	Bearing cup (Timken 632)
6	A14010	Hub
7	A14013	Bearing cup (Timken 742)
8	A14012	Bearing cone (Timken 749)
9	A14011	Grease seal (CR 42624)
10	A10176	Stud
11	A10046	Lug nut

REAR WHEEL, SPINDLE & HUB ASSEMBLY



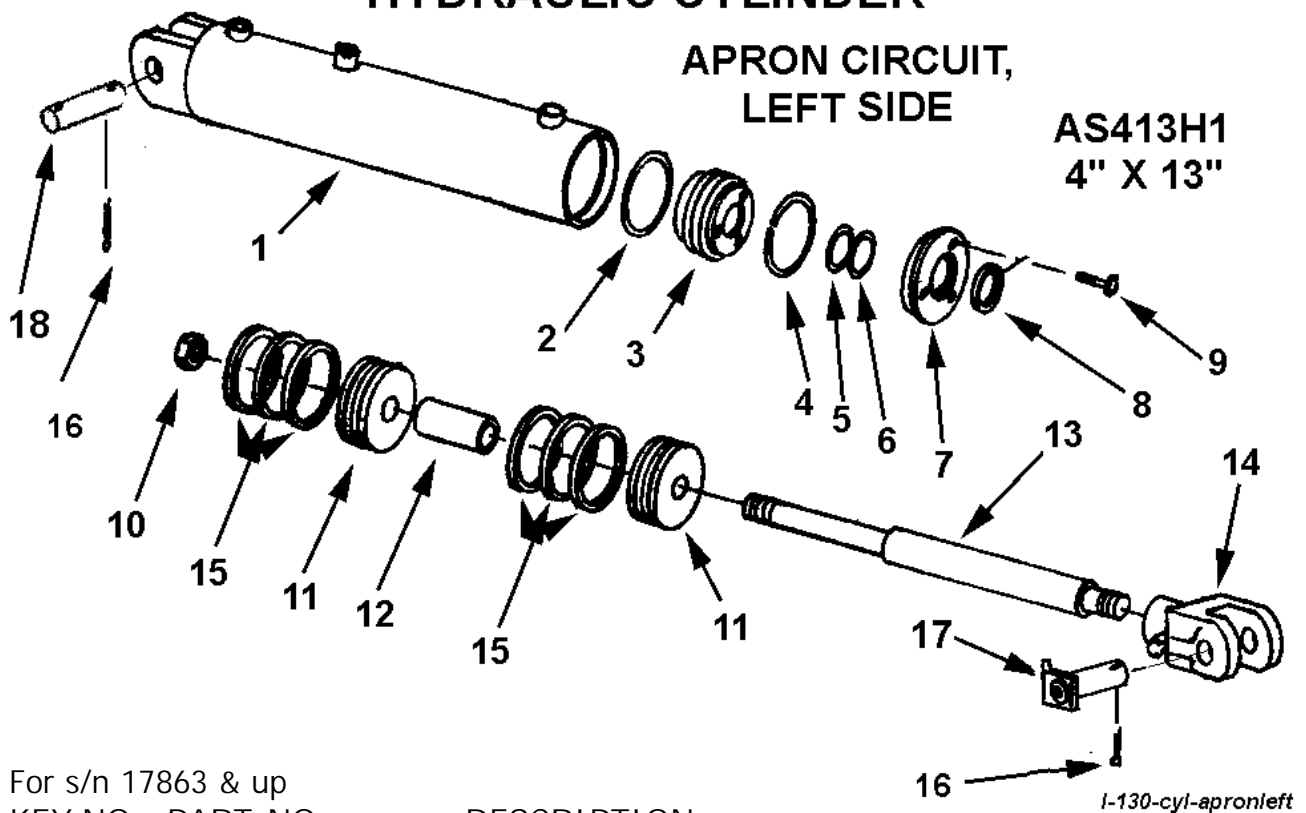
I-130-rear-wheel

KEY NO.	PART NO.	DESCRIPTION
1	A14004	Hub cap
2	AFB-00026	Bolt, 5/16 NC x 3/4 lg.
3	A10039	Wheel, 16 x 26 Drop Center
4	A14015	Bearing cone (Timken 644)
5	A14014	Bearing cup (Timken 632)
6	A14010	Hub
7	A14013	Bearing cup (Timken 742)
8	A14012	Bearing cone (Timken 749)
9	A14011	Grease seal (CR 42624)
10	A10176	Stud
11	A10046	Lug nut
12	A10048	Spindle nut
13	A10049A	Lock collar
14	A10172	Nut w/ lock pin
15	A14037	Spindle
16	AFW-00006	Lockwasher, 1"
17	AFN-00012	Nut, 1" NC
18	AFB-00001	Bolt, 1" NC x 6-1/2" lg.

HYDRAULIC CYLINDER

APRON CIRCUIT, LEFT SIDE

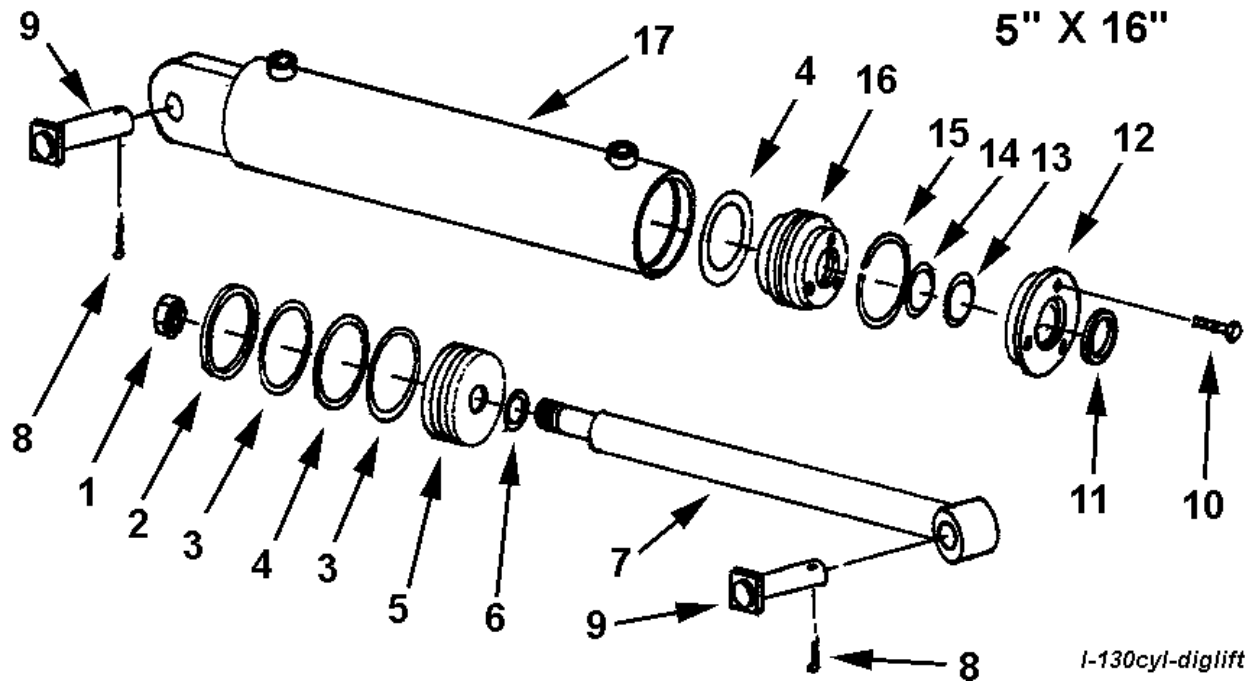
AS413H1
4" X 13"



For s/n 17863 & up

KEY NO.	PART NO.	DESCRIPTION	
1	A175H13	Barrel	
2	A300H06	O-ring, 4" OD x 3/16"	
3	A300H11	Head gland	
4	A300H12	Retainer ring	
5	A22H15	O-ring, 1-1/2" ID x 1/8"	
6	A22H15A	Backup washer, 1-1/2" ID	
7	A300H13	Gland cap	
8	A22H17	Wiper seal, 1-1/2" ID	
9	A22H18	Capscrew, 1/4" NC x 1"	
10	A300H03	Piston nut	
11	A450H15	Piston, 4"	
12	A130H12	Piston spacer	
13	A175H14	Shaft, 1-1/2" diameter	
14	A12H03	Clevis end	
	A12H03HD	Clevis end, heavy duty. Requires (pt #) Pin with tab head. (pt #)	
15	A300H04	Cast iron rings, 4" OD	
16	AFP-00003	Cotter Pin, 3/16" x 1-1/2"	
17	A10167	Pin, 1" x 3-1/16"	
18	A1217	Pin, 1" x 3-1/2"	
	A130H23	Packing kit containing:	
	6 - A300H04	1 - A22H17	1 - A22H15
	1 - A22H15A	1 - A300H06	

HYDRAULIC CYLINDER DIG AND LIFT CIRCUIT



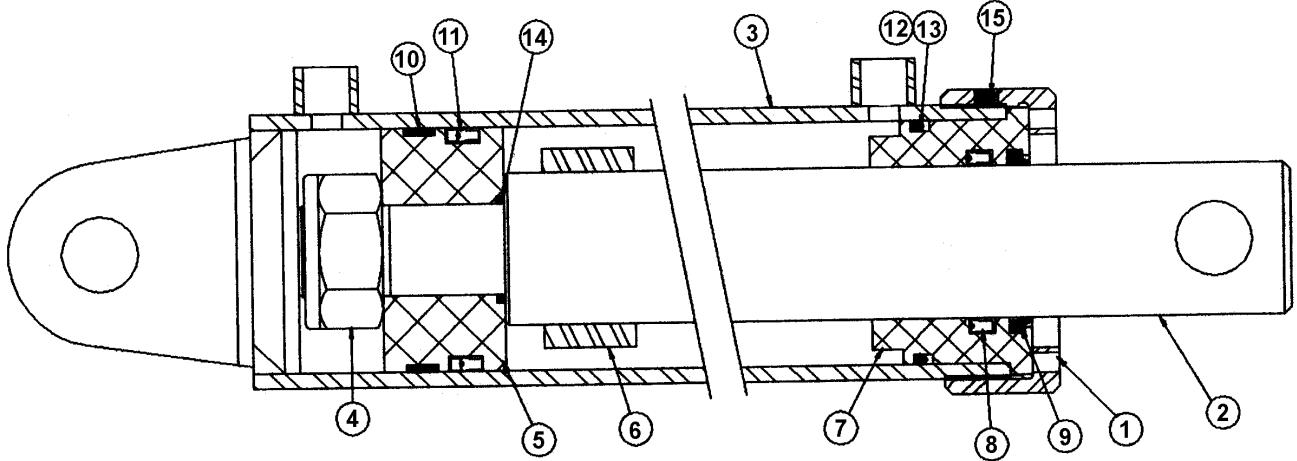
CYLINDER PART NO. A516H114A

KEY NO.	PART NO.	DESCRIPTION
1	A400H17	Lock nut, 1-1/4" NF
2	A400H04	Cast iron ring, 5" OD
3	A400H05	Backup washer, 5" OD
4	A400H06	O-ring, 5" OD x 1/4"
5	A400H07	Piston, 5" OD
6	A60H52	O-ring, 1-1/4" ID x 1/8"
7	A130H28	Shaft, 2" dia.
8	AFP-00003	Cotter pin, 3/16" x 1-1/2"
9	A6007A	Pin, 1-1/4" x 4-1/4"
10	A22H18A	Capscrew, 5/16" NC x 1"
11	A400H14	Wiper seal
12	A400H13	Head cap
13	A400H12	O-ring, 2" ID
14	A400H12A	Backup washer, 2" ID
15	A400H11	Retainer ring
16	A400H10	Head gland, 5" OD
17	A130H27	Barrel Assembly, 5" ID
	A400H15C	Packing kit containing:
	1 - A400H04	1 - A400H11
	1 - A400H14	2 - A400H06
	1 - A60H52	1 - A400H12A

I-130 PUSH GATE CYLINDER ASSEMBLY

PART NO. A455H114

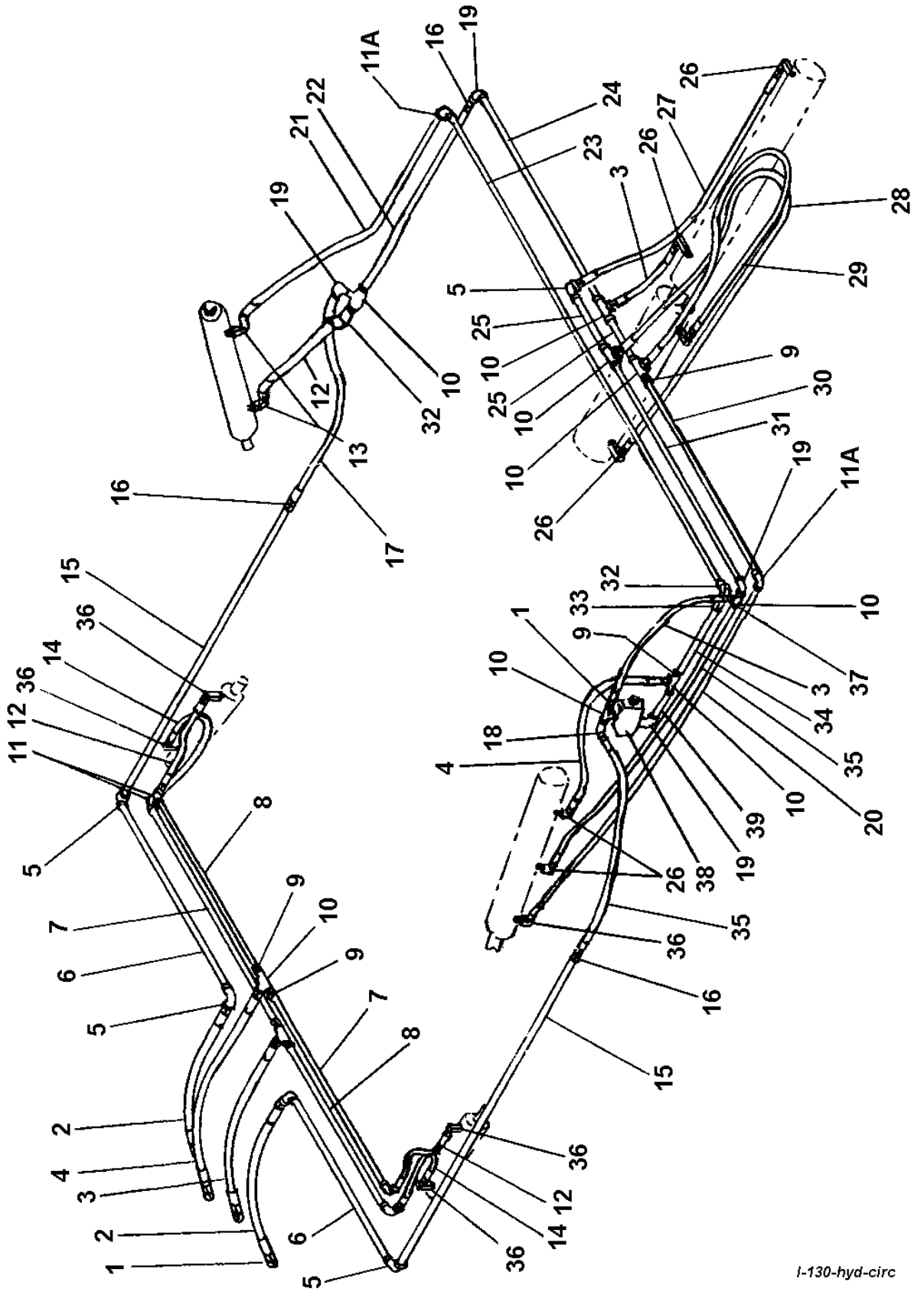
4 1/2" BORE X 54" STROKE - MODEL I-130 (SERIAL NO. 17870 & UP)



I-130-cyl-push

KEY NO.	QTY.	PART NO.	DESCRIPTION
1	1	A175H10	Collar
2	1	A130H30	2 1/2" Rod
3	1	A130H29	Barrel weldment
4	1	A140H13	Lock nut (2" - 12)
5	1	A175H12	Piston
6	1	A17506	Spacer
7	1	A175H09	Head
8	1	A140H07	Rod seal
9	1	A140H08	Rod wiper
10	1	A175H07	Wear ring
11	1	A175H05	Piston seal
12	1	A175H03	O-ring
13	1	A175H04	Backup ring
14	1	A140H14	O-ring
15	1	AFB-00061	Nylon tip set screw (3/8" NC x 3/8)
16	1	A175H15	Seal kit (Items 8-14)

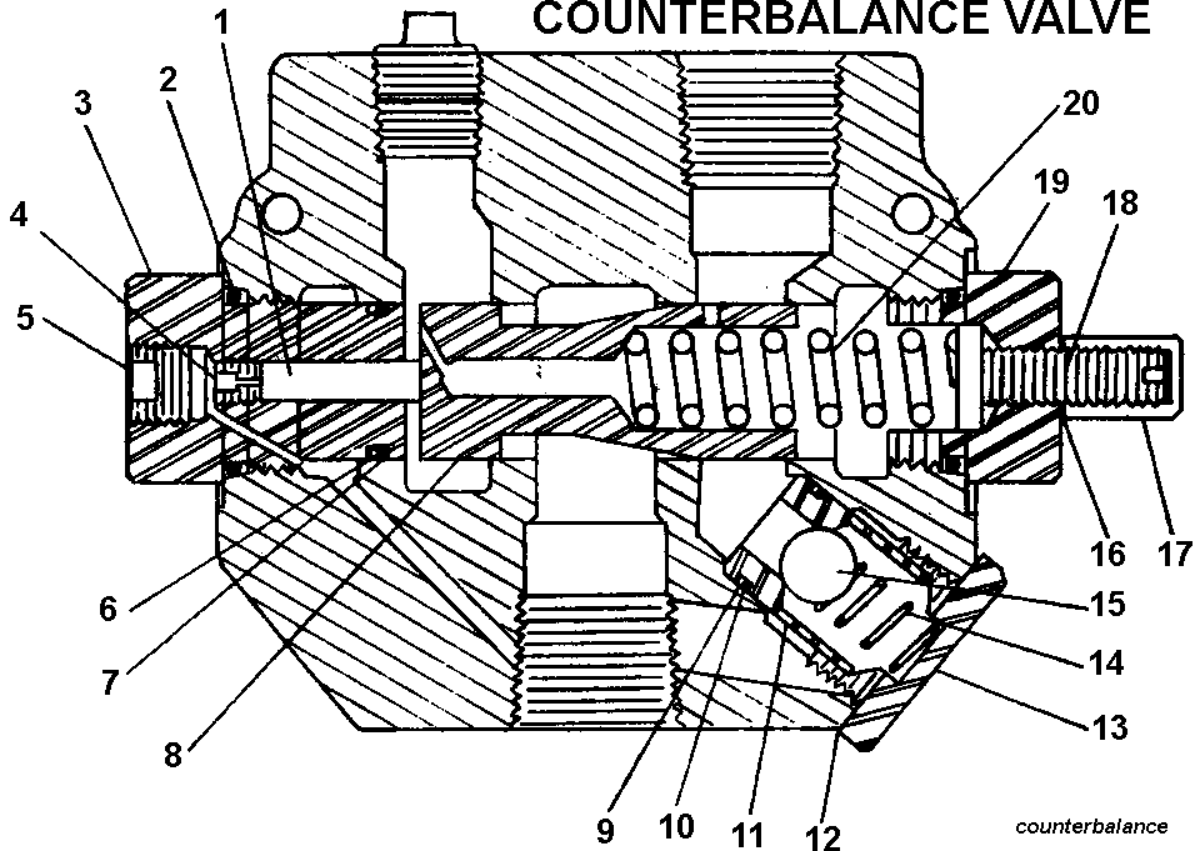
ILLUSTRATION - HYDRAULIC CIRCUIT



PARTS LIST- HYDRAULIC CIRCUIT

KEY NO.	NO. REQ'D	PART NO.	DESCRIPTION
1	5	A101H72	Swivel adapter, str. 3/4 male x female
2	2	A101H32	Hose, 3/4 x 21 long
3	3	A101H31A	Hose, 3/4 x 24-1/2 long
4	1		Hose, 3/4 x 28 long
5	5		Elbow, 90° x 3/4 NPT, Steel
6	2		Pipe, 3/4 x 48-3/4 long
7	2		Pipe, 1/2 x 38-1/4 long
8	2		Pipe, 1/2 x 35-3/4 long
9	7		Pipe bushing, 1/2 NPT x 3/4 NPT
10	9		Pipe tee, 3/4 NPT, Steel
11	4		Elbow, 90°, 1/2 NPT, Cast
11A	2		Elbow, 90°, 1/2 NPT, Steel
12	3	A45H06	Hose, 1/2 x 24 long
13	2	A45H07	Swivel adapter, 90°, 3/8 NPT x 1/2 NPT
14	2	A60H01A	Hose, 1/2 x 18 long
15	2		Pipe, 3/4 x 78-1/2 long
16	3	A101H35	Swivel adapter, str. 3/4 female x female
17	2	A101H36	Hose, 3/4 x 33 long
18	1		Street elbow, 45° x 3/4 NPT
19	4		Street elbow, 90°, 3/4 NPT, Steel
20	1	A101H82	Hose, 1/2 x 56 long
21	1	A80H29	Hose, 1/2 x 46 long
22	1		Pipe, 3/4 x 28 long
23	1		Pipe, 1/2 x 98 long
24	1		Pipe, 3/4 x 45-3/4 long
25	2		Pipe, 3/4 x 7 long
26	6	A101H77	Swivel adapter, 90°, 3/4 NPT
27	1	A101H38A	Hose, 3/4 x 71 long
28	1	A140H17A	Hose, 3/4 x 77 long
29	1	A130H21	Hose, 3/4 x 56 long
30	1		Pipe, 1/2 x 42-3/4 long
31	1		Pipe, 3/4 x 46-3/4 long
32	3	A101H73	Street elbow, 90°, 1/2 NPT, Steel
33	1	A101H74	Swivel adapter, str. 1/2 female x female
34	1		Pipe, 1/2 x 11-3/4 long
35	1	A101H42	Hose, 3/4 x 42 long
36	5	A400H02	Swivel adapter, 90° x 1/2 NPT
37	1	A101H75	Check valve
38	1	A101H48	Counterbalance valve
39	1		Pipe nipple, 3/4 x 5-1/2 long

COUNTERBALANCE VALVE



Serial no. 14656 and up

KEY NO.	PART NO.	DESCRIPTION
1	A101H49	Piston
2	A101H50	O-ring
3	A101H51	External pilot plug
4	A101H52	Orifice
5	A101H53	Plug
6	A101H54	O-ring
7	A101H55	Backup washer
*8	A101H56	Metering spool
9	A101H57	Backup washer
10	A101H58	O-ring
11	A101H59	Check seat
12	A101H60	Aluminum washer
13	A101H61	Check plug
14	A101H62	Check spring
15	A101H63	Check ball
16	A101H64	Aluminum washer
17	A101H65	Acorn nut
18	A101H66	Adjusting screw
19	A101H67	Adjusting plug - RD1075 CB
20	A101H68	Metering spring (medium pressure)
20	A101H70	Metering spring (high pressure)
*	A101H71	Valve body

* NOT SOLD SEPARATELY

COUNTERBALANCE VALVE

PURPOSE of the counterbalance valve is to prevent the front gate from closing before the rear pushgate is fully retracted when the scraper is empty. This enables the operator to start the next cut without having to reopen the gate from the closed position.

INSTRUCTIONS for establishing counterbalance valve setting:

When properly adjusted, the front gate will close 40% from full open position (26 ½" from bottom of gate to cutting edge) and hold at that position until the rear pushgate is fully retracted. If the front gate is closing more than 40%, loosen the lock nut under the hex socket head screw and turn the screw clockwise until the front gate holds at that position. Turn an additional ¼ turn clockwise, then tighten the lock nut. DO NOT turn the adjusting screw more than is necessary to hold the front gate at 40% open.

MAINTENANCE CHECKLIST

1. Grease all zerks.
 - a) Every 8 hours of operation.
 - b) See Lubrication Points section on following page.

2. Greasing the hubs.
 - a) Re-pack wheel bearings after 600 hrs of operation.
 - b) Completely clean grease out of hub and bearings every 1200 hours of operation.

3. Check tire pressure.
 - a) 20.5 - 25, 12-ply tire requires a tire pressure of 35-40 psi on a rear machine, 40-50 on a front machine.

4. Check all pins for signs of wear.
 - a) Daily

5. Check wheel lug nut torque.
 - a) After first 2 hours of operation.
 - b) Recheck daily for next 2 weeks.
 - c) Tighten wheel lug nuts in a star pattern.
 - d) Torque wheel lug nuts to 450 ft-lbs.

6. Check and retighten all bolts.
 - a) After initial 10 hours of use.
 - b) Again after 50 hours of use.
 - c) See Torque Specifications on following page.

7. Inspect cutting edges.
 - a) Daily
 - b) Replace cutting edges when center blade has been worn to approximately 6" and side edges worn to approximately 4".



CAUTION! Failure to replace worn cutting edges may result in unnecessary wear to the earthmover sides and floor.

Note: Please specify left or right "L" shaped cutting edges when ordering replacements.

TORQUE SPECIFICATIONS

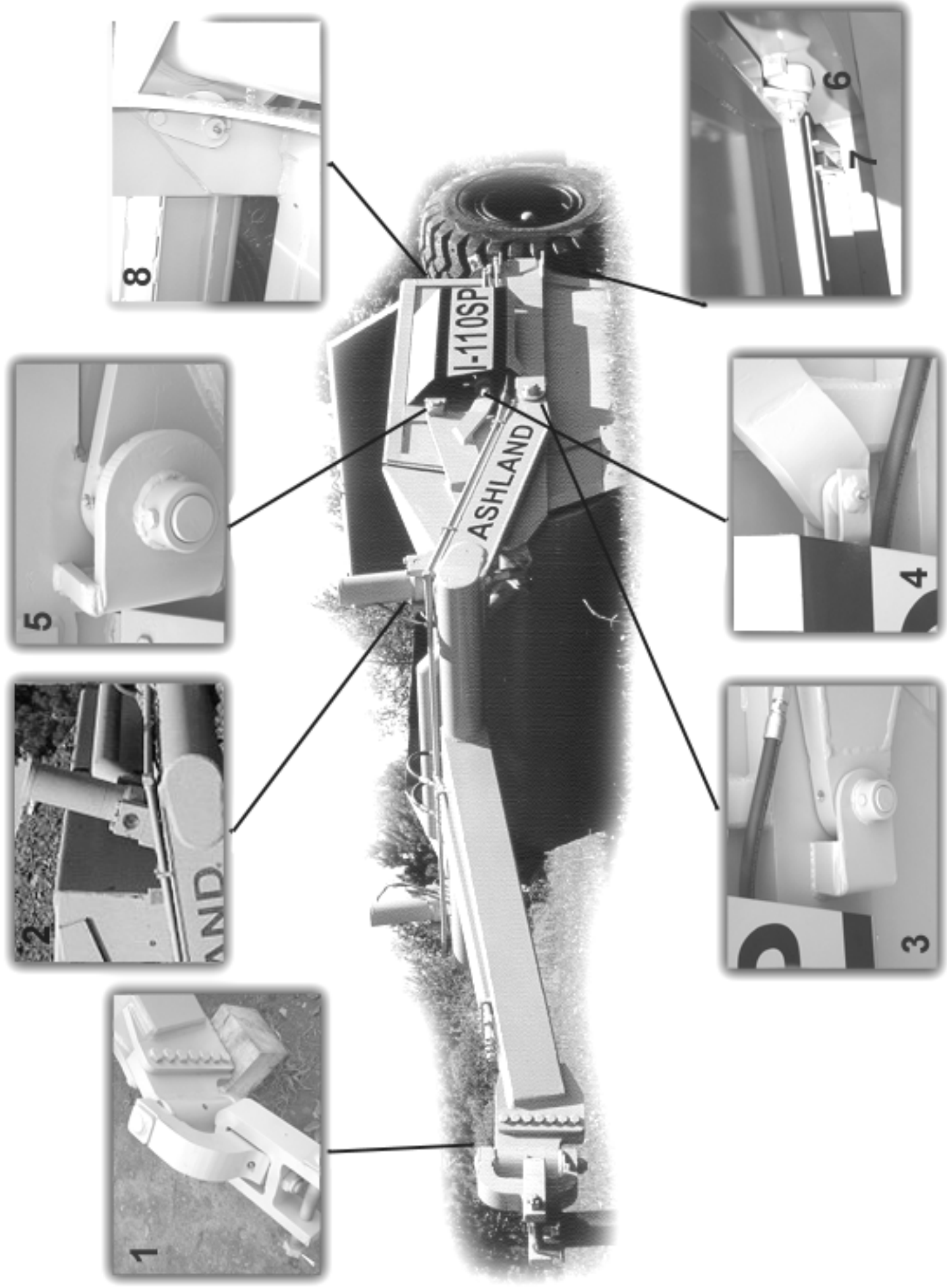
<i>Grade 8</i>	
<i>Bolt</i>	<i>Torque</i>
<i>Diameter</i>	<i>ft-lbs</i>
1/4"	12
5/16"	25
3/8"	45
7/16"	70
1/2"	110
9/16"	150
5/8"	220
3/4"	380
7/8"	600
1"	900
1-1/8"	1280
Lug Nuts	750

LUBRICATION

1. Grease all zerks every 8 hrs of operation with high quality, general-purpose grease.
 - a) Grease until grease flows from around pin.

Lubrication Points (*see Ill. on next page*)

1. Hitch – Horizontal and vertical pins.
2. Lift Cylinders – Rod end & Trunion; Both left & right sides.
3. Front Arm Pivot Joint – Both left & right sides.
4. Apron Cylinders – Rod clevis pin; Both left & right sides.
5. Apron Pivot Pin – Both left & right sides.
6. Hold-down Rollers – Both left & right sides.
7. Floor Rollers – Both left & right sides.
8. Tapered Rollers – Both left & right sides.



lubrication points

HYDRAULIC SYSTEM

Standard Two-Circuit Hydraulic Plumbing

The apron cylinders and the push-off cylinder are controlled on the same circuit with the sequence of the operation controlled by a sequence valve. The other hydraulic circuit controls the lift cylinders on the earthmover.

*To adjust the sequence valve, see Troubleshooting section.

Optional Three-Circuit Hydraulic Plumbing

The apron cylinders, push-off cylinder, and lift cylinders are all on separate hydraulic circuits.

PUSHING THE EARTHMOVER

The I-130 was designed to be pushed when equipped with the optional push-bar. However, Ashland Industries, Inc. *STRONGLY* recommends using extreme caution when pushing the I-130 earthmover to prevent any unnecessary damage.



CAUTION! The I-130 earthmover must be pushed in a straight line with a maximum of a 100 hp dozer. Do not ram or jar the earthmover while pushing and push at a constant speed.



TROUBLESHOOTING

Introduction

With proper care and maintenance, the I-130 will give many years of reliable service. When a situation arises where the earthmover performance is not satisfactory, this section will give some pointers on finding and correcting the problem.

Grease zerk will not take grease.

1. Grease zerk plugged.
 - a) Remove and replace grease zerk.
2. Pin is frozen.
 - a) Remove, clean, and inspect pin.
 - b) Replace pin if necessary.
3. Bushing grease passage is not aligned with grease zerk.
 - a) Remove, clean, inspect, and realign bushing.
 - b) Replace bushing if necessary and realign.

Push-off rollers do not roll.

1. The rollers need lubrication.
 - a) Check zerk hole and grease.
 - b) Remove pin, clean, inspect, and replace if necessary.
2. The roller bushing is worn out.
 - a) Remove roller assembly and replace bushing.
 - b) See parts manual.

Cylinders will not hold in preset position, i.e. the cylinder creeps.

1. Seals leaking internally.
 - a) Remove and replace seal kit.

Machine cuts unevenly.

1. Cutting edges worn unevenly.
 - a) Replace cutting edges.
2. Improperly inflated tires.
 - a) Check air pressure in tires.

Apron closes slowly

or

Apron and push-off are not working well together.

1. Sequence valve needs adjusting.
 - a) Remove acorn nut from end of sequence valve with a ½" wrench. Turn adjustment screw, using a 4mm hex wrench, clockwise until front apron rises before the push-off advances while the earthmover is empty. Turn the adjustment screw an additional ¼ turn clockwise, then replace the acorn nut and tighten.
 - b) Torque check valve assembly and int. pilot plug to 25 ft-lbs maximum.

CAUTION! Overtightening check valve assembly and int. pilot plug will cause internal damage to the sequence valve.



Note: Check valve assembly may leak slightly when torqued to 25 ft-lbs.



Limited Warranty Statement

Ashland Industries Inc. warrants each new product to be free from defects in material and workmanship. This warranty is applicable only for the normal service life expectancy of the product or components, not to exceed six consecutive months from the date of delivery of the new Ashland Industries product to the original purchaser, or the date the product is first put into service via a rental agreement or other means, whichever occurs first.

Genuine Ashland Industries Inc. replacement parts and components will be warranted for 30 days from date of purchase, or the remainder of the original equipment warranty period, whichever is longer.

Under no circumstances will it cover any merchandise or components thereof, which in the opinion of the company, has been subjected to misuse, unauthorized modification, alterations, an accident or if repairs have been made with parts other than those obtained through Ashland Industries Inc.

Ashland Industries Inc. in no way warrants Tires since these items are warranted separately by their respective manufacturer. Please call Ashland Industries Inc. to receive phone numbers of tire suppliers.

Ashland Industries Inc. in no way warrants wearable items such as cutting edges, front dolly wheel balls, socket halves.

Our obligation under this warranty shall be limited to repairing or replacing, free of charge to the original purchaser, any part that, in our judgement, shall show evidence of such defect, provided further that such part shall be returned within 30 days from the date of failure to Ashland Industries Inc. routed through the dealer and distributor from whom the purchase was made, transportation charges prepaid. Upon warranty approval proper credits will be reimbursed for transportation.

This warranty shall not be interpreted to render Ashland Industries Inc. liable for injury or damages of any kind or nature to person or property. This warranty does not extend to the loss revenue, extra labor cost associated with downtime, substitute machinery, rental or for any other reason.

Except as set forth above, Ashland Industries Inc. shall have no obligation or liability of any kind on account of any of its equipment and shall not be liable for special or consequential damages. Ashland Industries Inc. make no other warranty, expressed or implied, and, specifically, Ashland Industries Inc. disclaims any implied warrant or merchantability or fitness for a particular purpose. Some states or provinces do not permit limitations or exclusions of implied warranties or incidental or consequential damages, so the limitations or exclusion in this warranty may not apply.

This warranty is subject to any existing conditions of supply which may direct affect our ability to obtain materials or manufacture replacement parts.

Ashland Industries Inc. reserves the right to make improvements in design or changes in specifications at any time, without incurring any obligation to owners of units previously sold

No one is authorized to alter, Modify or enlarge this warranty nor the exclusion, limitations and reservations.

Ashland Industries Inc.
Warranty Department