



BUCHLI

MASTER PARTS BOOK

B-400 Scraper

ver 12-02

Ashland Industries Inc.
1115 Rail Drive
P.O. Box 717
Ashland, WI. 54806
Ph: 877-634-4622 *Toll Free*
Ph: 715-682-4622
Fx: 715-682-9717
www.ashlandind.com



INDEX PAGE

B-400 Scraper

How to order parts:

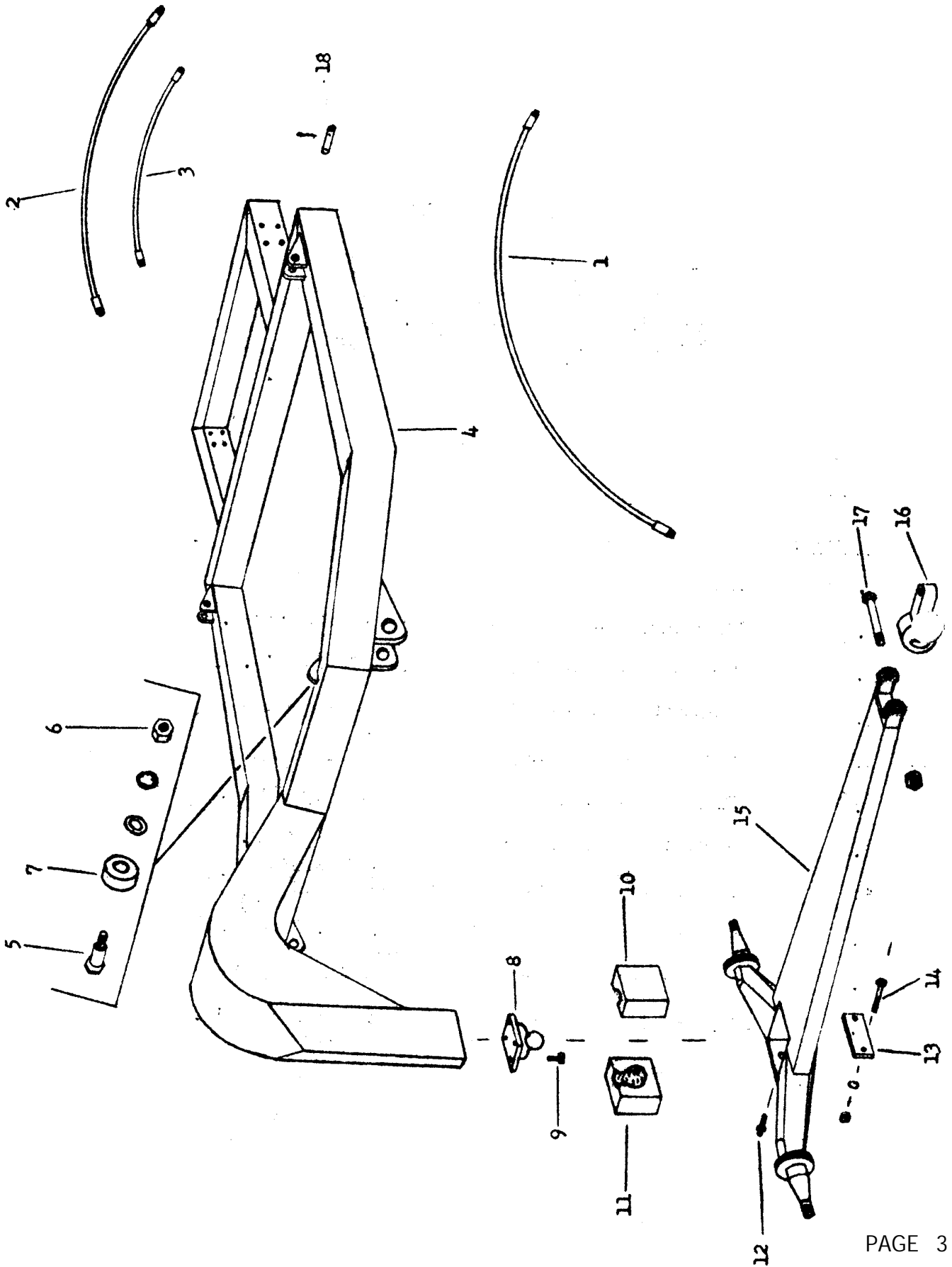
Be sure to state MODEL and SERIAL NO. of machine, PARTS NO., DESCRIPTION, and QUANTITY wanted.

Unless this is done, we cannot give you prompt service or send the correct parts.

I N D E X

<i>Page No.</i>	<i>Illustration & Parts List</i>
3 - 4	Main Frame, Pole & Hitch Ass'y
5 - 6	Actuating Ass'y
7 - 8	Apron, Bucket & Cutting Edges
9	Wheel & Hub Ass'y, Curent
10	Hyd. Cylinder, High Pressure (opt)
11	Hyd. Cylinder
12	Wheel & Hub Ass'y, Early

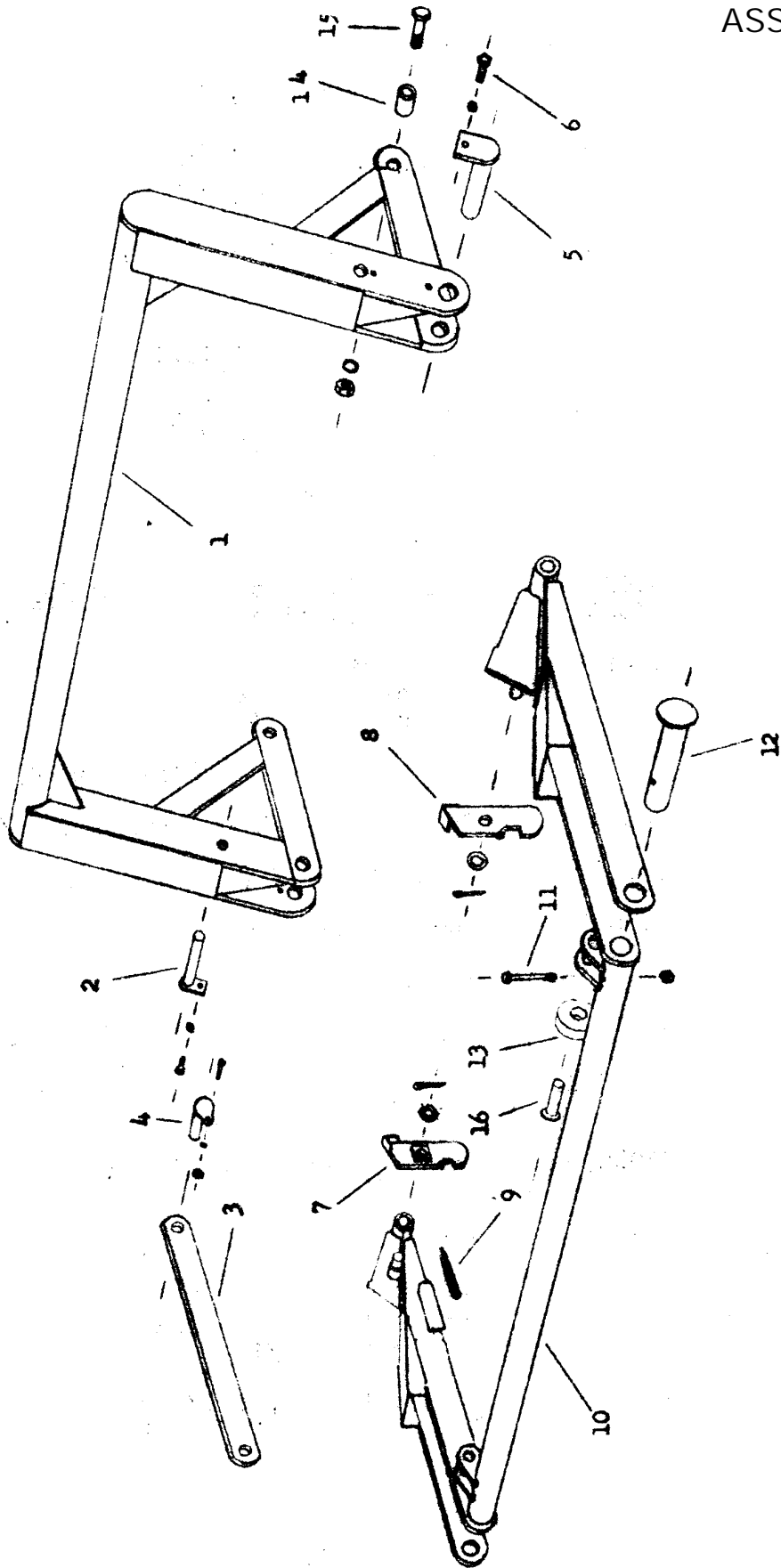
FRAME, HYD. HOSE & POLE ASSEMBLY



PARTS LIST
 FRAME & HOSE ASSEMBLY
 B-400 SCRAPER

Key No.	Part No.	Description
1	B300H01	Hydraulic hose, 1/2" x 84"
2	B34010	Hydraulic hose, 1/2" x 38"
3	L-1013	Hydraulic hose, 1/2" x 28"
	B400H02	Swivel adapter, 1/2" 90 degree
	B400H03	Swivel adapter, 1/2" straight
	B300H02	Male hydraulic coupler end, 1/2" Pioneer
4	4001	Main Frame
5	3320A	Shoulder pin, 1-13/16" shoulder, 1-1/4" to 1" NF (used up to sn 2545)
	B30003	Shoulder pin, 2-1/2" shoulder, 1-1/4" to 1" NF (used on sn 2548 and up)
		Flat washer, 1"
		Lockwasher, 1"
6		Nut, 1" NF
7	40028	Roller (used to sn 2545)
	B30002	Roller (used on sn 2548 and up)
8	40016	Ball swivel
9		Capscrew, 3/4" x 3" Lockwasher, 3/4"
10	400F	Cast ball socket (front half)
11	400R	Cast ball socket (rear half w/zerk hole)
12	3002	Zerk, 1/8" NPT (long shank)
13	B40008	Socket clamp bar
14		Bolt, 3/4" x 7" w/nut & LW
15	4003	Pole and axle ass'y (used up to sn 2418)
	B40007A	Pole and axle ass'y (used on sn 2437 to sn 2672)
	B40007B	Pole and axle ass'y (used on sn 2673 and up)
16	B40009	Swivel hitch
17		Capscrew, 1-1/4" x 7" NF Nut, 1-1/4" NF castellated Cotter pin, 3/16" x 1-3/4"
18	40027	Rear cylinder pin, 1-1/8" x 4" Cotter pin, 3/16" x 1-1/2"

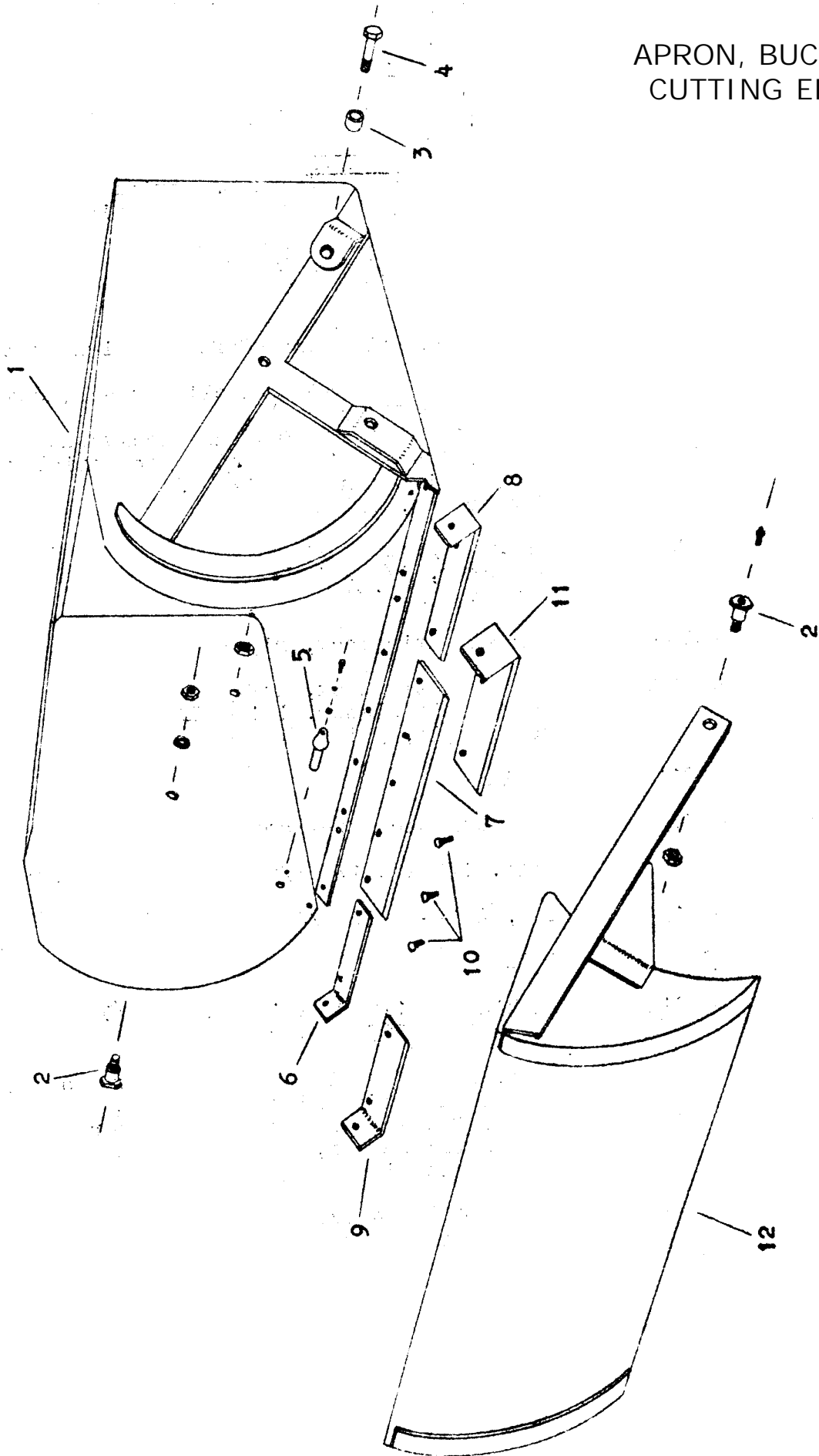
SUB-FRAME & ACTUATING ASSEMBLY



PARTS LIST
ACTUATING ASSEMBLY
B-400 SCRAPER

Key No.	Part No.	Description
1	4005B 4005A	Actuating frame ass'y, (used on sn 2673 and up) Actuating frame ass'y, (used up to sn 2672)
2	4006	Front cyl pin, 1-1/8" x 6-5/16" Capscrew, 1/2" x 1" NC Lockwasher, 1/2"
3	4007	Front actuating arm, left and right same
4	B40023 40022	Pin, 1-1/4" x 2-3/4" w/locking head (used on sn 2673 and up) Bolt, 1/2" x 1" NC w/nut and LW Pin, 1-1/4" x 3-1/4" (used up to sn 2672) Narrow rim washer, 1-1/4" ID Cotter pin, 1/4" x 2"
5 6	4008	Pin, 1-1/2" x 6-5/16" Capscrew, 1/2" x 1" NC Lockwasher, 1/2"
7	4009A	Spreadomatic lock, right
8	40010A	Spreadomatic lock, left Narrow rim washer, 1-1/4" ID Cotter pin, 3/16" x 1-3/4"
9	30011	Spring
10	40012	Spreadomatic sub-frame
11		Bolt, 1/2" x 4-1/2" w/nut and LW
12	40013	Pin, 2-1/4" x 10-1/2"
13	209	Roller
14	B40015	Bushing, 1-1/2" OD x 1" ID x 1-11/32" long (used on sn 2673 and up)
15	40022	Bolt, HT 1" x 4" NF w/nut and LW (used on sn 2673 and up) Pin, 1-1/4" x 3-1/4" (used up to sn 2672) Narrow rim washer, 1-1/4" ID Cotter pin, 1/4" x 2"
16	40023	Pin, 1-1/4" x 4-1/2" Cotter pin, 1/4" x 2"

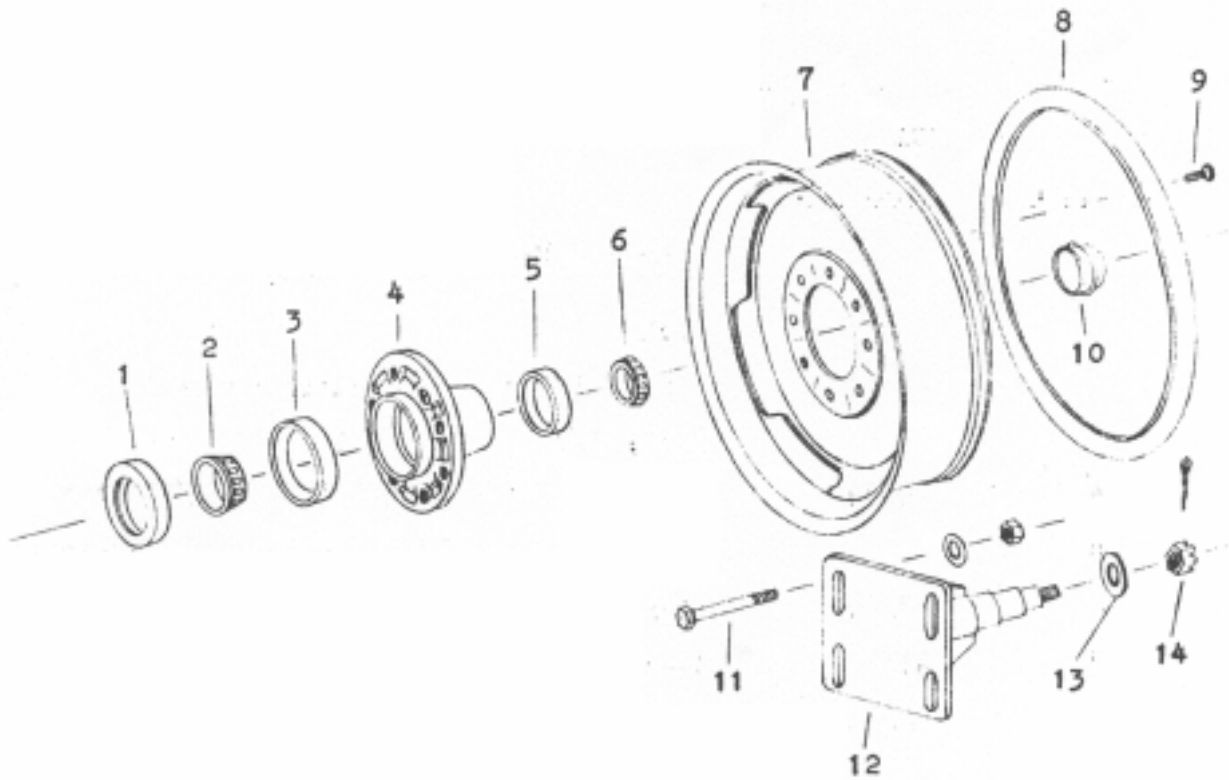
APRON, BUCKET &
CUTTING EDGES



PARTS LIST
 BUCKET, APRON & CUTTING EDGES
 B-400 SCRAPER

Key No.	Part No.	Description
1	40014A	Bucket (used on sn 2673 and up)
	40014	Bucket (used up to sn 2672)
2	30016	Shoulder pin, 1-1/4" to 1" NF w/ctsk hole in head Nut, 1" NF
3	B40015	Bushing, 1-1/2" OD x 1" ID x 1-11/32" long, (used on sn 2673 and up)
4		Bolt, HT 1" x 4" NF w/nut and LW (used on sn 2673 and up)
	40022	Pin, 1-1/4" x 3-1/4" (used up to sn 2672)
		Narrow rim washer, 1-1/4" ID
		Cotter pin, 1/4" x 2"
5	B40023	Pin, 1-1/4" x 2-3/4" w/locking head (used on sn 2673 and up)
	40022	Pin, 1-1/4" x 3-1/4" (used up to sn 2672) Narrow rim washer, 1-1/4" ID Cotter pin, 1/4" x 2"
6	205R	Right cutting edge, 4"
7	408C	Center cutting edge, 6"
8	206L	Left cutting edge, 4"
9	30017RW	Right cutting edge, 6" (optional)
10		Plow bolts, 1/2" x 1-1/2" w/nuts
		Plow bolts, 1/2" x 1-3/4" w/nuts
11	30018LW	Left cutting edge, 6" (optional)
	B40024	One-piece cutting edge, 6" (optional, not shown)
	B40025	Cutting edge pitch control wedge (optional, not shown)
12	40015	Apron

WHEEL, HUB & SPINDLE ASSEMBLY

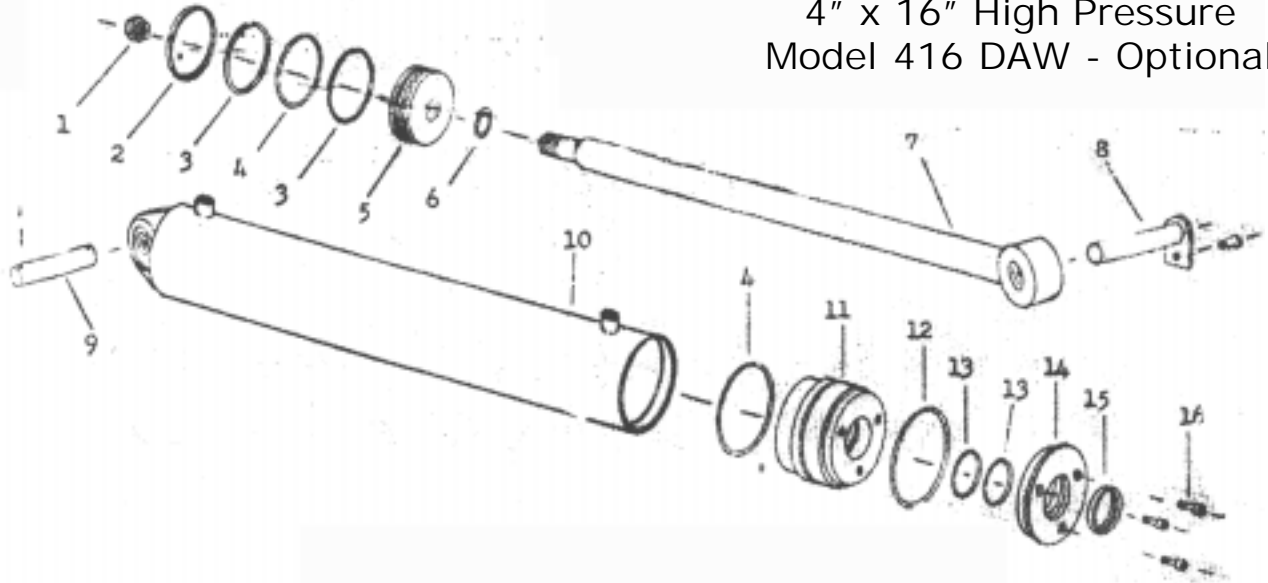


(USED ON SERIAL # 2673 AND UP)

PARTS LIST

Key No.	Part No.	Description
1	B4512	Grease seal
2	B4513	Bearing cone, inner
3	B4514	Bearing cup, inner
4	B4515	Hub, less bearings
5	B2233	Bearing cup, outer
6	B4516	Bearing cone, outer
7	B4517	Wheel, less lock ring
8	B4518	Lock ring
9	B4521	Wheel assembly (includes lock ring)
9	B4519	Wheel bolt
10	B2235	Hub cap
11		Bolt, 3/4" x 6" w/flat washer & nut
12	B4520	Spindle
13	B2239	Washer, special 7/8" flat
14		Nut, 7/8" NF castellated
		Cotter pin, 3/16" x 1-1/2"

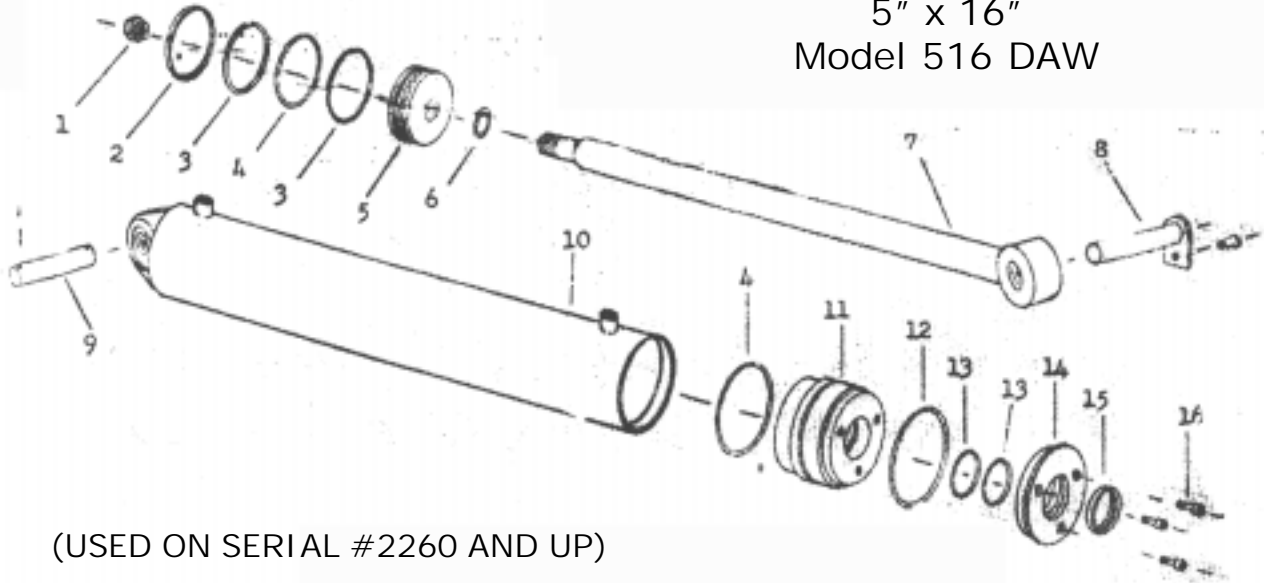
HYDRAULIC CYLINDER
4" x 16" High Pressure
Model 416 DAW - Optional



PARTS LIST

Key No.	Part No.	Description
1	4DAW-T	Piston nut
2	4DAW-PC	Cast iron piston ring
3	4DAW-PB	Piston backup washer
4	4DAW-P	Piston & static O-ring seal
5	4DAW-H	Piston
6	4DAW-S	Piston gasket
7	4DAW-F	Shaft
8	4006	Pin, 1-1/8" x 6-5/16"
		Capscrew, 1/2" x 1" NC
		Lockwasher, 1/2"
9	40027	Pin, 1-1/8" x 4"
		Cotter pin, 3/16" x 1-1/2"
10	4DAW-GJ	Barrell assembly
11	4DAW-E	Head
12	4DAW-W1	Retainer Ring
13	4DAW-O	Shaft O-ring seal
14	4DAW-W	Head cap
15	4DAW-N	Wiper seal
16	4DAW-X	Socket head cap screw
	4DAW-PK	Packing kit containing:
		1 4DAW-PC
		2 4DAW-PB
		2 4DAW-P
		1 4DAW-S
		1 4DAW-W1
		2 4DAW-O
		1 4DAW-N

HYDRAULIC CYLINDER
5" x 16"
Model 516 DAW

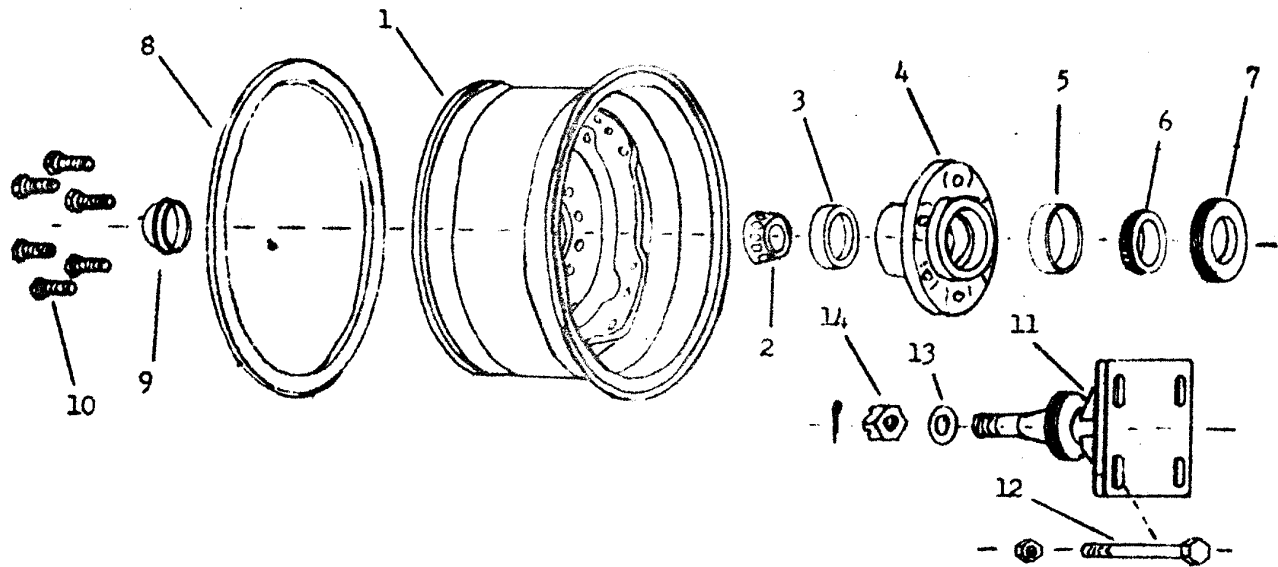


(USED ON SERIAL #2260 AND UP)

PARTS LIST

Key No.	Part No.	Description
1	5DAW-T	Piston nut
2	5DAW-PC	Cast iron piston ring
3	5DAW-PB	Piston backup washer
4	5DAW-P	Piston & static O-ring seal
5	5DAW-H	Piston
6	5DAW-S	Piston gasket
7	5DAW-F	Shaft
8	4006	Pin, 1-1/8" x 6-5/16"
		Capscrew, 1/2" x 1-1/4" NC
		Lockwasher, 1/2"
9	40027	Pin, 1-1/8" x 4"
		Cotter pin, 3/16" x 1-1/2"
10	5DAW-GJ	Barrell assembly
11	5DAW-E	Head
12	5DAW-W1	Retainer Ring
13	5DAW-O	Shaft O-ring seal
15	5DAW-W	Head cap
15	5DAW-N	Wiper seal
16	5DAW-X	Socket head cap screw
	5DAW-PK	Packing kit containing:
		1 5DAW-PC
		2 5DAW-PB
		2 5DAW-P
		1 5DAW-S
		1 5DAW-W1
		2 5DAW-O
		1 5DAW-N

WHEEL, HUB & SPINDLE ASSEMBLY



(USED UP TO SERIAL #2672)

PARTS LIST

Key No.	Part No.	Description
1	D-3624W	Wheel, less lock ring
2	D-3624W	Wheel, complete, 20" x 5-1/2"
3	3381	Bearing cone, outer
4	3320	Bearing cup, outer
5	Q618X	Hub, less bearings
6	3720	Bearing cup, inner
7	3780	Bearing cone, inner
8	421	Machine seal, pressed on
	D-3624R	Lock ring
9	B-8532	Hub cap
10	FS-13945	Wheel bolt
11	40019	Rear spindle
12		Bolt, 3/4" x 6"
13	40024	Keyed washer, 1-1/8" NF
14	40025	Castellated nut, 1-1/8" NF
		Cotter pin, 3/16" x 2"