



# *BUCHLI MASTER PARTS BOOK*

## B-33 Scraper

ver 12-02

Ashland Industries Inc.  
1115 Rail Drive  
P.O. Box 717  
Ashland, WI. 54806  
Ph: 877-634-4622 *Toll Free*  
Ph: 715-682-4622  
Fx: 715-682-9717  
[www.ashlandind.com](http://www.ashlandind.com)



## INDEX PAGE

B-33 Scraper  
B-33D Scraper

How to order parts:

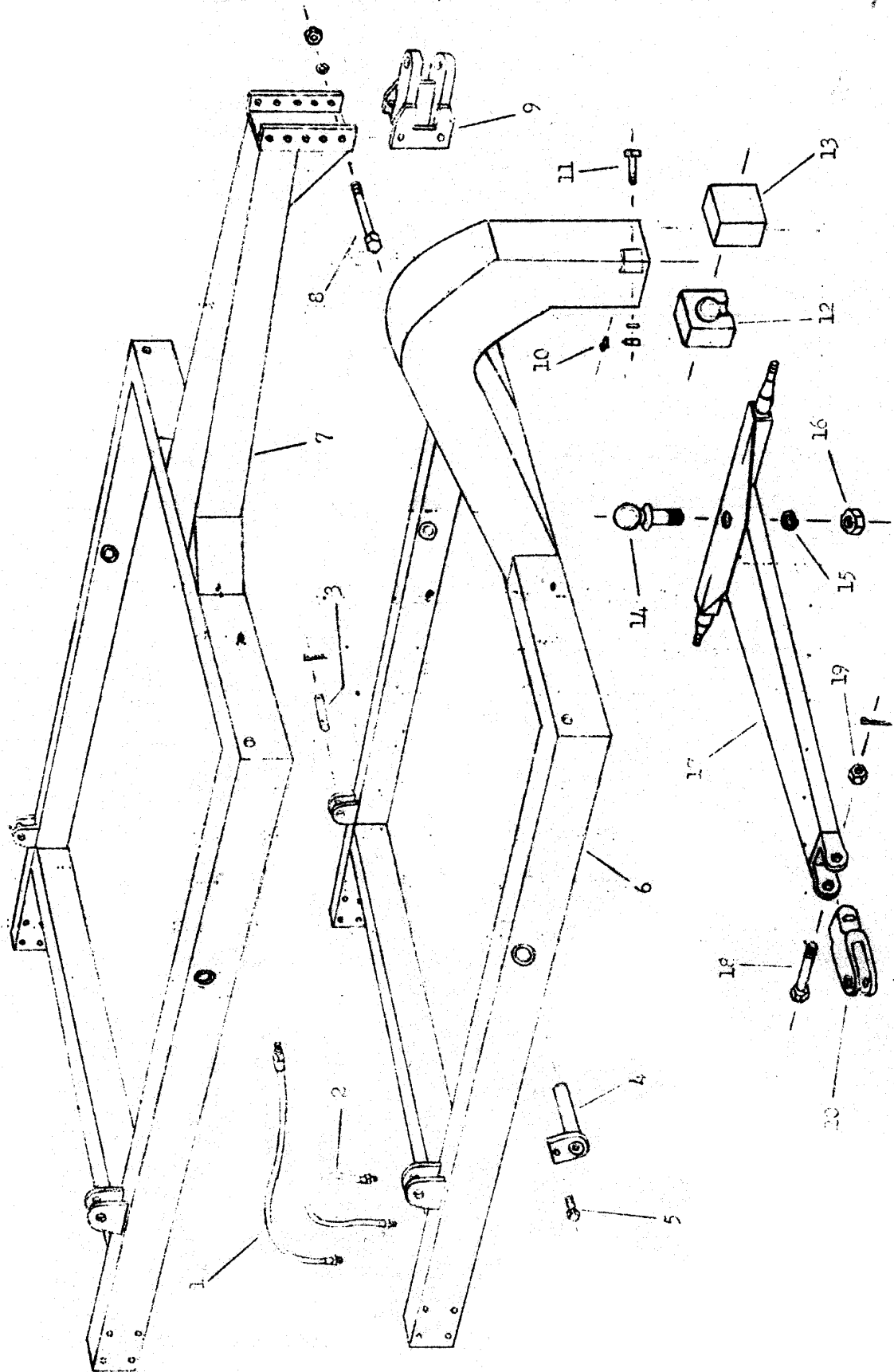
Be sure to state MODEL and SERIAL NO. of machine, PARTS NO., DESCRIPTION, and QUANTITY wanted.

Unless this is done, we cannot give you prompt service or send the correct parts.

### I N D E X

<i>Page No.</i>	<i>Illustration &amp; Parts List</i>
3 - 4	Frames, Hose, Pole and Axle Ass'y
5 - 6	Actuating Assembly
7 - 8	Bucket, Apron and Cutting Edges
9	Hyd. Cylinder, 3-1/2" x 16", Model 3516 DAW
10	Wheel, Hub, Bearing & Spindle Ass'y
11	Hyd. Cylinder, 3" x 16", Model B316H1, (high pressure)
12	Hyd. Cylinder, 3-1/2" x 16, Model FEQS-3B

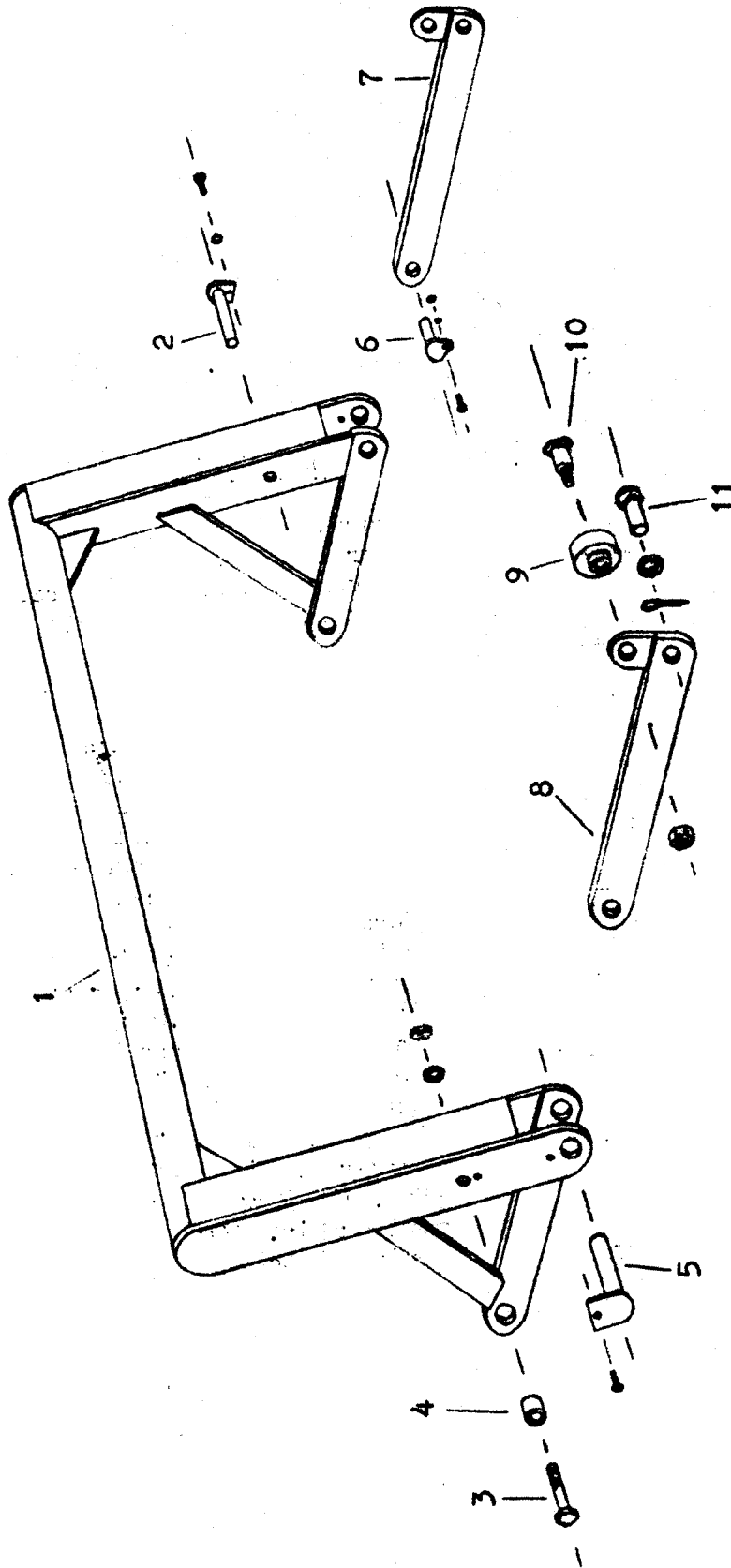
FRAMES, HOSE, POLE & AXLE ASSEMBLY



PARTS LIST  
 FRAMES, HOSE AND POLE & AXLE ASSEMBLY  
 B-33/B-33D

Key No.	Part No.	Description
1	116	Hydraulic hose, 3/8" x 33"
2	115	Hydraulic hose, 3/8" x 24" Swivel adapter, 3/8" straight Swivel adapter, 3/8" 90 degree
3	3310	Pin, 1" x 4" Cotter pin, 3/16" x 1-1/2"
4	3311	Pin, 1-1/2" x 5-5/8"
5		Capscrew, 1/2" x 1-1/4" NC Shakeproof washer, 1/2"
6	3312	Frame, Four Wheel Model
7	3313	Frame, Two Wheel Model
8		Bolt, 5/8" x 6" w/nut and LW
9	3314	Hitch, Two wheel model
10	3002	Zerk, 1/8" NPT (long shank)
11		Bolt, 5/8" x 4" w/nut and LW
12	300R	Cast ball socket, rear half w/zerk hole
13	300F	Cast ball socket, front half
14	216A	Ball swivel, 2" shank 1-1/4" NF thread
15		Lockwasher, 1-1/4"
16		Nut, 1-1/4" NF
17	3003A	Pole and axle ass'y
18		Capscrew, 1" x 6" NF
19		Nut, 1" NF castellated Cotter pin, 3/16" x 1-1/2"
20	3004	Swivel hitch

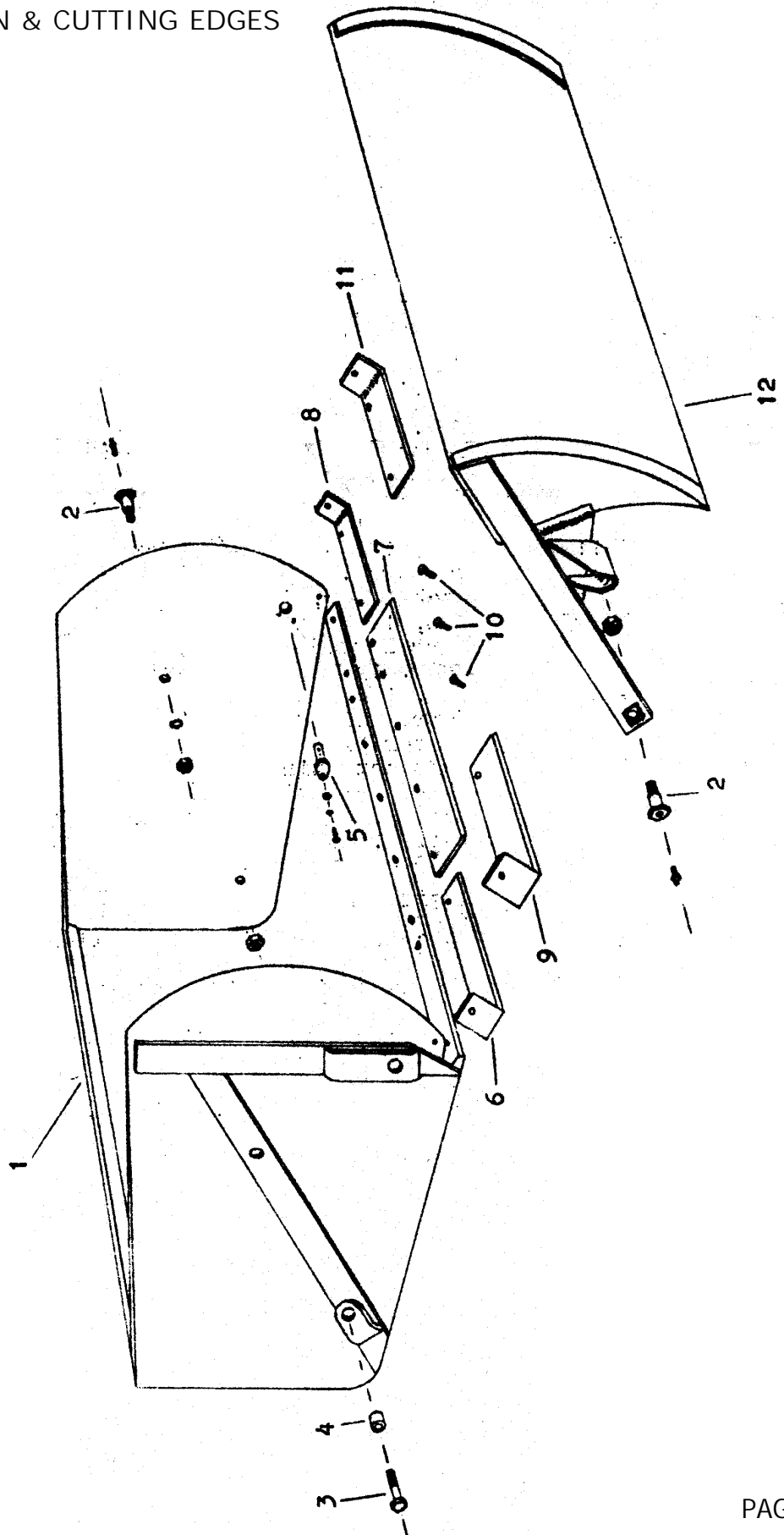
ACTUATING ASSEMBLY



PARTS LIST  
ACTUATING ASSEMBLY  
B-33/B-33D

Key No.	Part No.	Description
1	3315A	Actuating frame, (used on sn 2658 & up)
	3315	Actuating frame, (used up to sn 2655)
2	3316A	Front cylinder pin, 1" x 5-5/8"
		Capscrew, 1/2" x 1" NC
		Lockwasher, 1/2"
3	405	Bolt, HT 1" x 3-1/2" NF w/nut & LW, (used on sn 2658 & up)
		Pin, 1-1/4" x 2-7/8", (used up to sn 2655)
		Narrow rim washer, 1-1/4" ID
		Cotter pin, 1/4" x 2"
4	B4505	Bushing, 1-1/2" OD x 1" ID x 1-3/32" long (used on sn 2658 & up)
5	3311	Pin, 1-1/2" x 5-5/8" w/ctsk zerk hole in head
		Capscrew, 1/2" x 1" NC
		Lockwasher, 1/2"
6	B4505	Pin, 1-1/4" x 2-3/8" w/locking head (used on sn 2658 & up)
		Bolt, 1/2" x 1" NC w/nut & LW
	405	Pin, 1-1/4" x 2-7/8", (used up to sn 2655)
		Narrow rim washer, 1-1/4" ID
7	3319L	Cotter pin, 1/4" x 2"
		Left actuating arm
8	3318R	Right actuating arm
9	30002	Roller, (used on sn 2535 & up)
	3328	Roller, (used without 3321 spacer on sn 2404 up to sn 2534)
	209	Roller, (used with 3321 spacer up to sn 2387)
	3321	Spacer, (used with 209 roller up to sn 2387)
10	B30003	Shoulder pin, 2-1/2" shoulder length, (used on sn 2535 & up)
	3320A	Shoulder pin, 1-13/16" shoulder length, (used up to sn 2534)
11	217	Pin, 1-1/4" x 2-3/4"
		Narrow rim washer, 1-1/4" ID
		Cotter pin, 1/4" x 2"

BUCKET, APRON & CUTTING EDGES

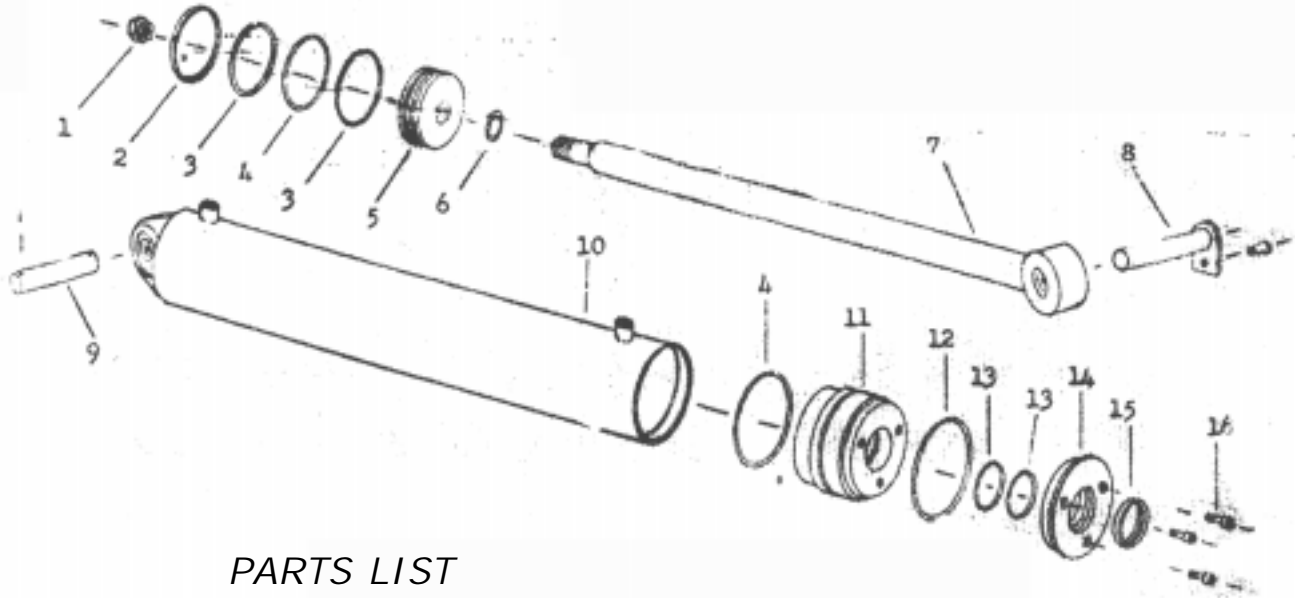


PARTS LIST  
 BUCKET, APRON & CUTTING EDGES  
 B-33/B-33D

Key No.	Part No.	Description
1	3322A	Bucket, (used on sn 2658 & up)
	3322	Bucket, (used up to sn 2655)
2	30016	Shoulder pin, 1-1/4" to 1 NF w/ctsk hole in head
		Nut, 1 NF
		Lockwasher, 1
3		Bolt, HT 1" x 3-1/2" NF w/nut & LW, (used on sn 2658 & up)
	405	Pin, 1-1/4" x 2-7/8", (used up to sn 2655)
		Narrow rim washer, 1-1/4" ID
		Cotter pin, 1/4" x 2"
4	B4504	Bushing, 1-1/2" OD x 1" ID x 1-3/32" long (used on sn 2658 & up)
5	B4505	Pin, 1-1/4" x 2-3/8" w/locking head, (used on sn 2658 & up)
	405	Pin, 1-1/4" x 2-7/8", (used up to sn 2655)
		Narrow rim washer, 1-1/4" ID
		Cotter pin, 1/4" x 2"
6	205R	Right cutting edge, 4"
7	3105037	Center cutting edge, 6"
8	206L	Left cutting edge, 4"
9	30017R	Right cutting edge, 6" (optional)
10		Plow bolts, 1/2" x 1-1/2" w/nuts
		Plow bolts, 1/2" x 1-3/4" w/nuts
11	30018L	Left cutting edge, 6" (optional)
12	3323	Apron



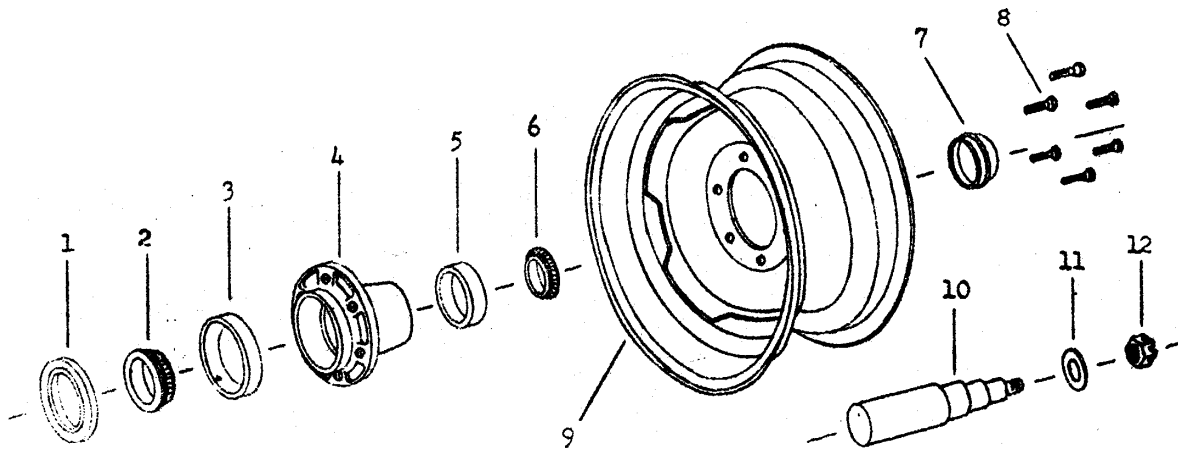
HYDRAULIC CYLINDER  
 3-1/2" x 16"  
 Model 3516 DAW



*PARTS LIST*

Key No.	Part No.	Description
1	35 DAW-T	Piston nut
2	35 DAW-PC	Cast iron piston ring
3	35 DAW-PB	Piston backup washer
4	35 DAW-P	Piston & static O-ring seal
5	35 DAW-H	Piston
6	35 DAW-S	Piston gasket
7	35 DAW-F	Shaft
8	228	Pin, 1 x 5-1/4"
		Capscrew, 1/2" x 1-1/4" NC
		Shakeproof washer, 1/2"
9	3310	Pin, 1" x 4"
		Cotter pin, 3/16" x 1-1/2"
10	35 DAW-GJ	Barrell assembly
11	35 DAW-E	Head
12	35 DAW-W1	Retainer Ring
13	35 DAW-O	Shaft O-ring seal
14	35 DAW-W	Head cap
15	35 DAW-N	Wiper seal
16	35 DAW-X	Socket head cap screw
	35 DAW-PK	Packing kit containing:
		1 35 DAW-PC
		2 35 DAW-PB
		2 35 DAW-P
		1 35 DAW-S
		1 35 DAW-W1
		2 35 DAW-O
		1 35 DAW-N

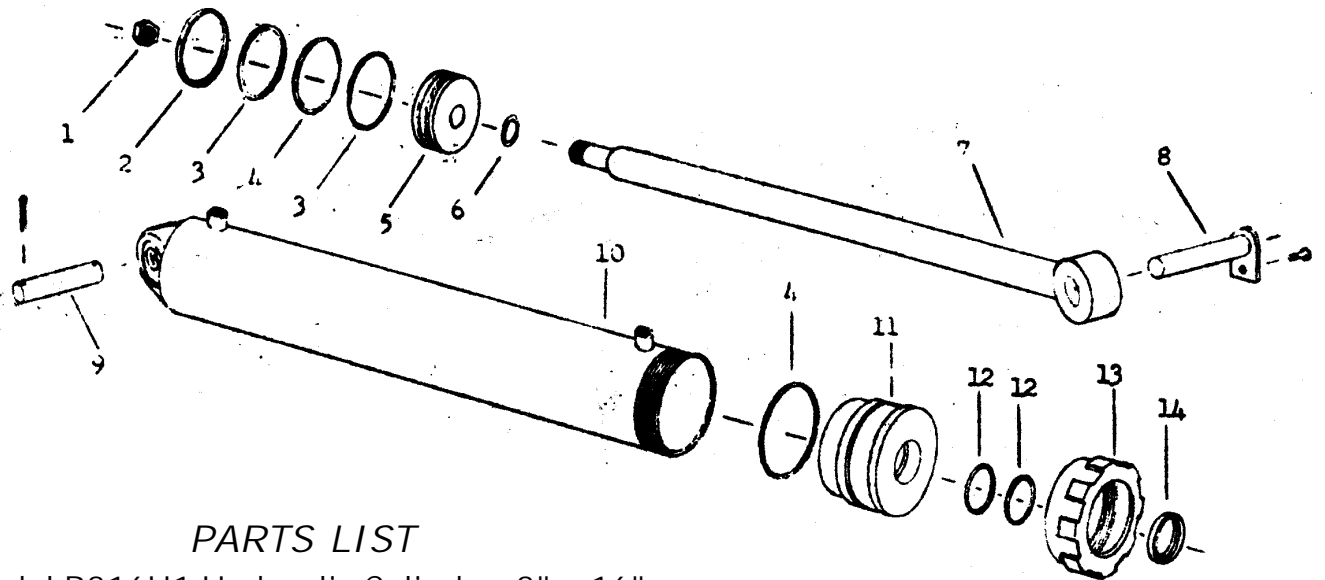
## WHEEL, HUB, BEARING & SPINDLE ASS'Y



### PARTS LIST

Key No.	Part No.	Description
1	AFS-1180	Grease seal
2	342A	Bearing cone, inner
3	332	Bearing cup, inner
4	Q-670	Hub, less bearings
5	14276	Bearing cup, outer
6	14137A	Bearing cone, outer
7	FS-8034	Hub cap
8	FS-13945	Wheel bolt
9	C-13753	Wheel, 14 x 6
	C-11141	Wheel, 15 x 6 (optional)
10	FS-12590	Spindle
11	FS-2002	Washer, special, 7/8 flat
12		Nut, 7/8 NF castellated
		Cotter pin, 3/16 x 1-1/2
		Bolt, 3/4 x 5-1/2 w/nut & FW

HYDRAULIC CYLINDER  
 3" x 16" (High Pressure)  
 Model B316 H1 - Optional



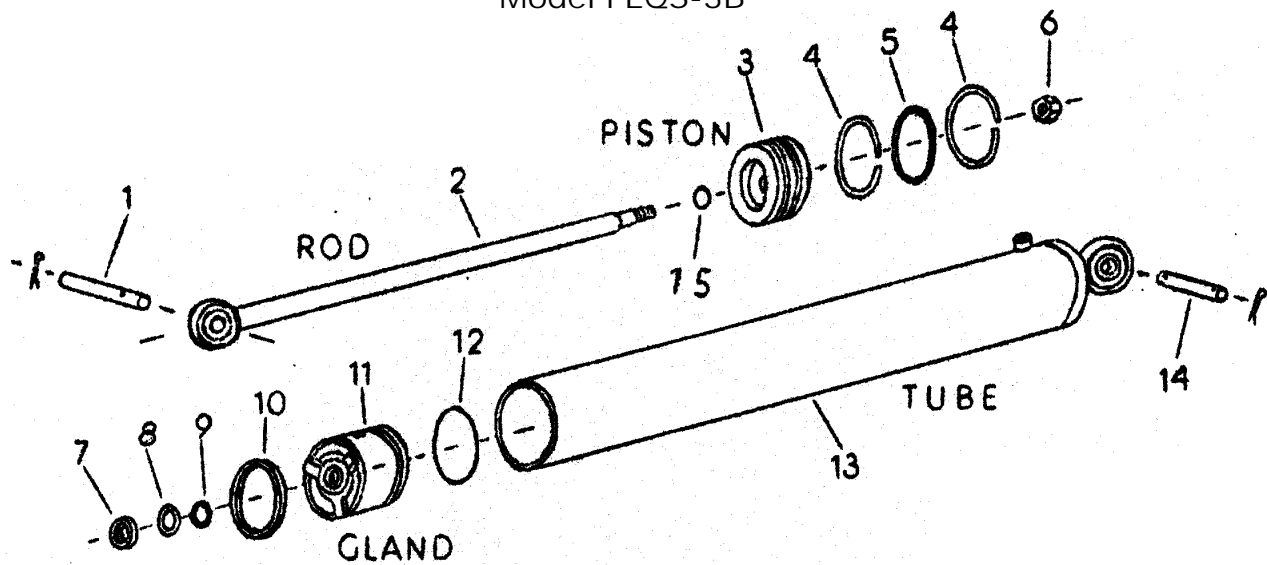
*PARTS LIST*

Model B316H1 Hydraulic Cylinder, 3" x 16"

Model B-33 & B-33D Scraper (Used on serial no. 2658 and up)

Key No.	Part No.	Description
1	B22H05	Piston nut, 3/4 NF
2	B11H01	Cast iron piston ring, 3 OD
3	B11H02	Piston backup washer, 3 OD
4	B11H03	Piston & static O-ring seal, 3 OD
5	B11H04	Piston, 3 OD
6	B22H10	Piston gasket, 3/4 ID
7	B22H11	Shaft, 1-1/2"
8	3316A	Front cylinder pin, 1" x 5-5/8"
		Cap screw, 1/2" x 1 NC
		Lockwasher, 1/2"
9	3310	Pin, 1" x 4"
		Cotter pin, 3/16" x 1-1/2"
10	B11H05	Barrell assembly
11	B11H06	Head gland
12	B11H07	Retainer ring
13	B22H15	Shaft O-ring seal, 1-1/2" ID
14	B11H08	Head cap
15	B22H17	Wiper seal, 1-1/2" ID
16	B22H18	Socket head cap screw, 1/4" x 1"
	B11H09	Packing kit containing:
		1 B11H01
		2 B11H02
		2 B11H03
		1 B22H10
		1 B11H07
		2 B22H15
		1 B22H17

HYDRAULIC CYLINDER  
3-1/2" x 16"  
Model FEQS-3B



*PARTS LIST*

Model FEQS-3B Hydraulic Cylinder, 3-1/2" x 16"  
Model B-33 & B-33D Scraper (Used up to serial no. 2255)

Key No.	Part No.	Description
1	3316	Rod end cyl. Pin 1" x 5-3/4" (w/1/4" x 2-1/2" CP)
2	P-13-FEQS-3B	Piston rod
3	P4-1100	Piston
4	PMAP-R-41	Piston ring, 3-1/2" OD (2 used)
5	PMAP-O-41	O-ring 3-1/2" OD (3 used)
6	1-HN	1" NF hex nut
7	PMAP-TBR-25	Wiper seal 1-3/8" ID
8	PMAP-W-25	Back up washer 1-3/8" ID
9	PMAP-O-25	O-ring 1-3/8" ID
10	3-1/2 SSR	Spiral retaining ring
11	G1-2070	Gland
12	PMAP-OG-14	O-ring gasket 3-1/2" OD
13	BT1-FEQS-3B	Cyl. Butt and tube ass'y
14	3310	Rear cyl. Pin 1" x 4" w/two 3/16" x 1-1/2" CP
15	PMAP-O-15	O-ring 1" OD
	PM-FEQS-3	Packing kit containing:
		2 PMAP-R-41
		1 PMAP-O-41
		1 PMAP-TBR-25
		1 PMAP-W-25
		1 PMAP-O-25
		1 PMAP-OG-14
		1 3-1/2 SSR
		1 PMAP-O-15