



BUCHLI MASTER PARTS BOOK

B-11 Scraper

ver 12-02

Ashland Industries Inc.
1115 Rail Drive
P.O. Box 717
Ashland, WI. 54806
Ph: 877-634-4622 *Toll Free*
Ph: 715-682-4622
Fx: 715-682-9717
www.ashlandind.com



INDEX PAGE

B-11 Scraper

How to order parts:

Be sure to state MODEL and SERIAL NO. of machine, PARTS NO., DESCRIPTION, and QUANTITY wanted.

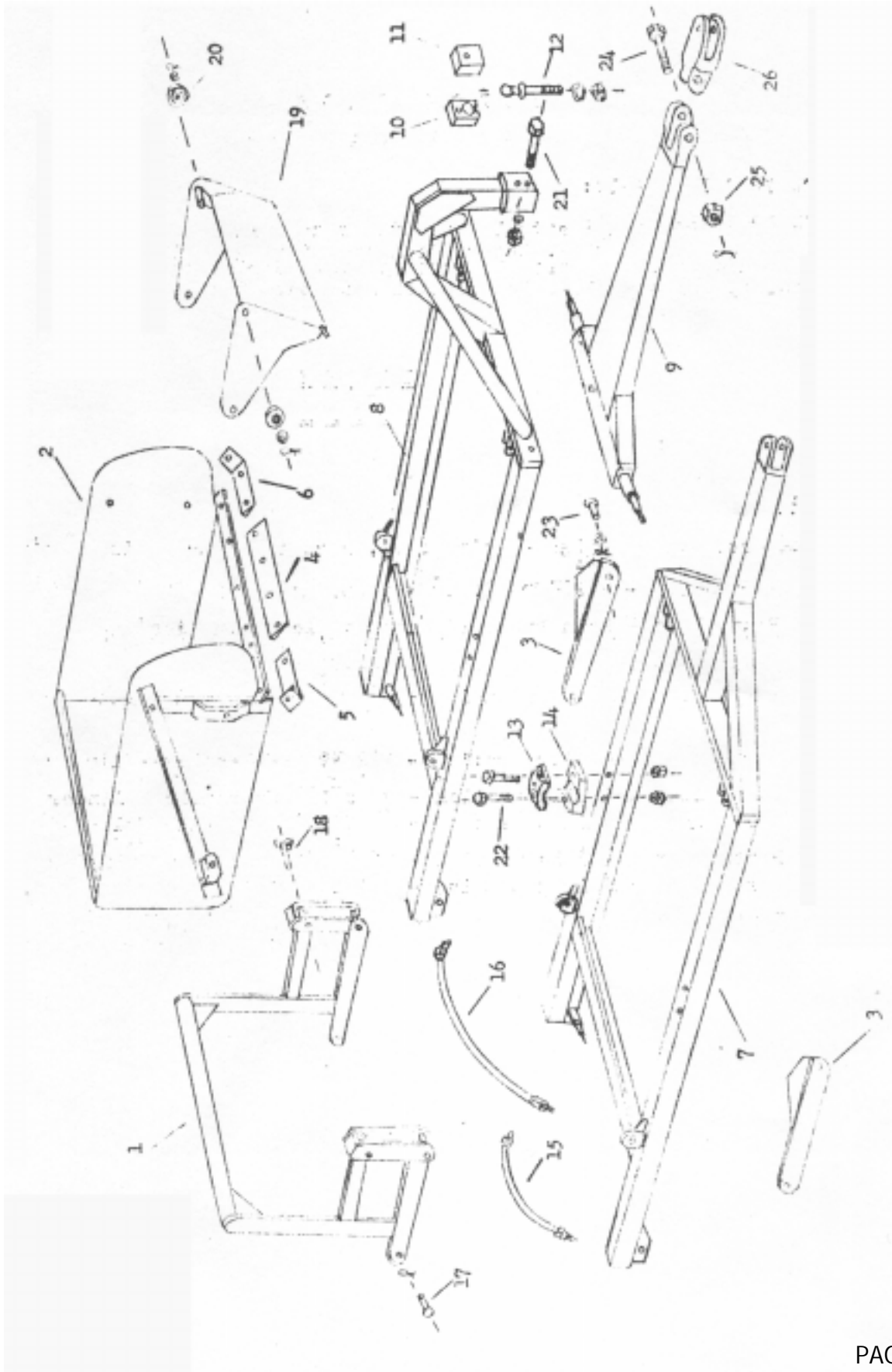
Unless this is done, we cannot give you prompt service or send the correct parts.

I N D E X

Page No.

3 & 4	Illustration & Parts List - Main Frame, Bucket & Actuating Assembly
5	Illustration & Parts List - Wheel, Hub, Bearings & Spindle Assembly
6	Illustration & Parts List - 3" x 16" Hydraulic Cylinder (up to serial # 2628)
7	Illustration & Parts List - 2" x 16" Hydraulic Cylinder High Pressure, (up to serial # 2628)
8	Illustration & Parts List - 3" x 16" Hydraulic Cylinder (serial # 2629 and up)
9	Illustration & Parts List - 2-1/2" x 16" Hydraulic Cylinder, High Pressure, (serial # 2629 and up)

MAIN FRAME, BUCKET, APRON, POLE, HITCH & ACTUATING ASS'Y



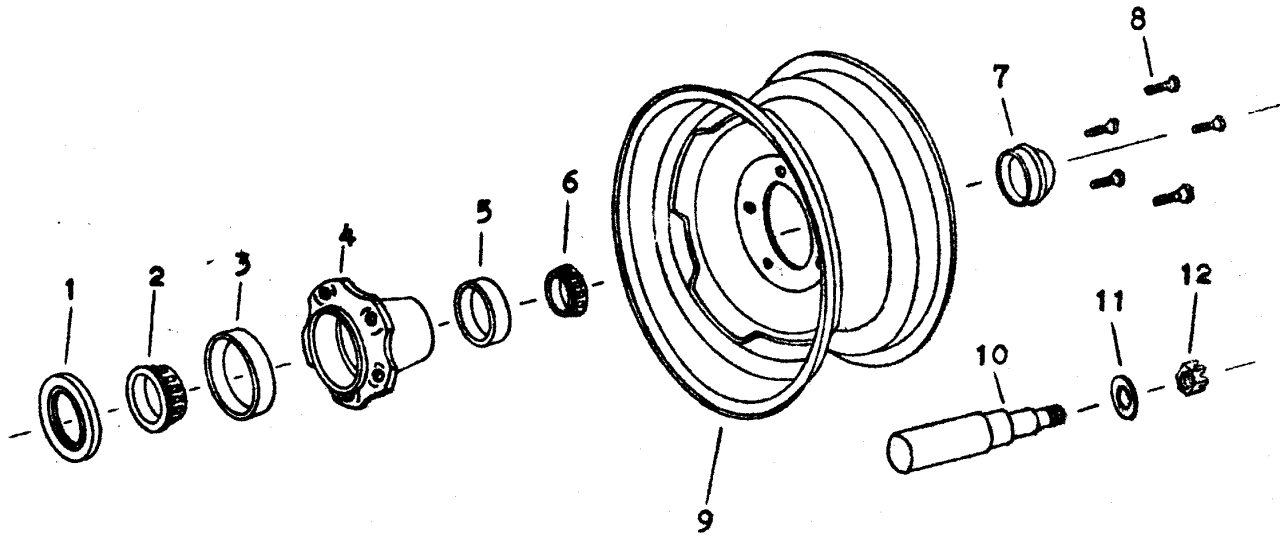
PARTS LIST

MAIN FRAME, BUCKET & ACTUATING ASS'Y

B-11 SCRAPER

Key No.	Part No.	Description
1	201	Actuating frame
2	202A	Bucket
3	103	Front actuating arm
4	204C	Cutting edge, center
5	205R	Cutting edge, right
6	206L	Cutting edge, left
		Plow bolts, 1/2" x 1-1/2" NC
7	107	Frame, two wheel model
8	108	Frame, four wheel model
9	109	Pole and axel ass'y
10	215	Ball Socket, rear w/zerk hole
11	215A	Ball Socket, front
12	216	Ball Swivel
		Lock washer, 1-1/4" NF
13	219U	Bearing block, upper
14	220L	Bearing block, lower
15	549	Hydraulic hose, 1/2" x 24"
	115	Hydraulic hose, 3/8" x 24"
16	542	Hydraulic hose, 1/2" x 33"
	116	Hydraulic hose, 3/8" x 33"
17	217	Pin, 1-1/4" x 2-3/3"
		Narrow rim washer, 1-1/4"
		Cotter pin, 1/4" x 2"
18	228	Pin, 1" x 5-1/4"
		Capscrew, 1/2" x 1-1/4" NC
		Lock washer, 1/2"
19	101	Apron
	102	Apron Pivot bushing, 9/16" x 1/2"
		Bolt, 9/16" x 2" NC
20	209	Cast roller
21		Bolt, 5/8" x 5-1/2" NC
22		Bolt, 3/4" x 6-1/2" NC
23	210A	Pin, 1-1/4" x 2-1/2"
24		Capscrew, 1" x 6" NF
25		Nut, castellated, 1" NF
		Cotter pin, 3/16" x 1-1/2"
26	3004	Swivel hitch

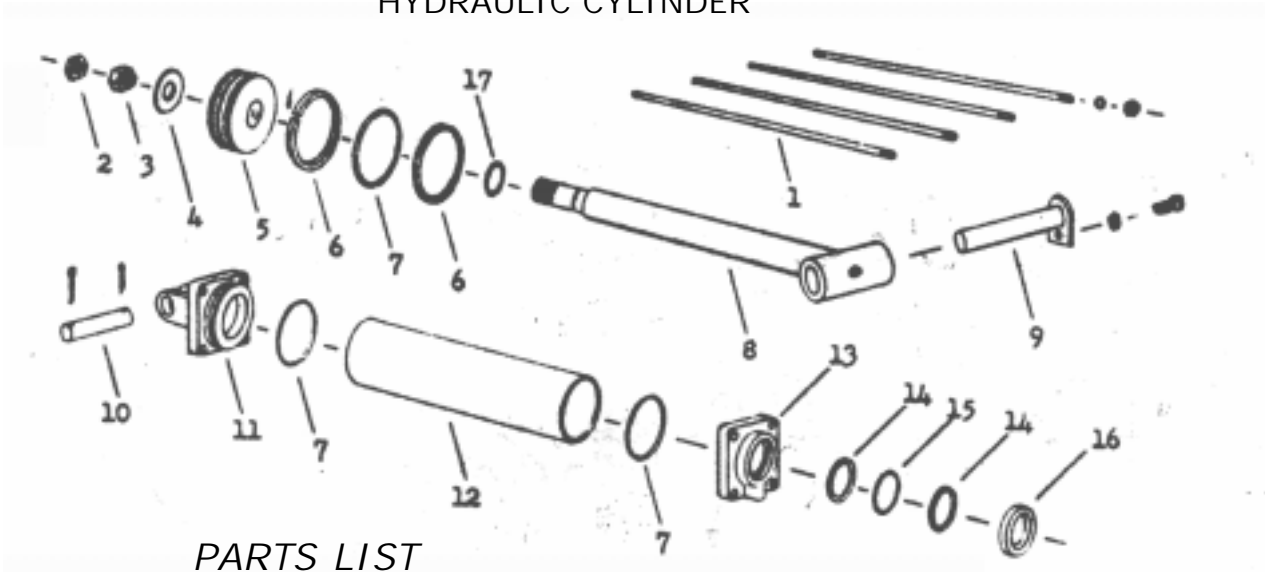
WHEEL, HUB & SPINDLE ASS'Y



PARTS LIST

Key No.	Part No.	Description
1	AFS-2130	Grease seal
2	14136A	Bearing cone, inner
3	14276	Bearing cup, inner
4	Q502	Hub, less bearings
5	09195	Bearing cup, outer
6	09067	Bearing cone, outer
7	FS-8432	Hub cap
8	MSK-523-1	Wheel bolt
9	C-13751	Wheel, 14" x 5"
10	FS-12594	Spindle
11		Washer, 3/4 flat
12		Nut, 3/4 NF castellated

HYDRAULIC CYLINDER

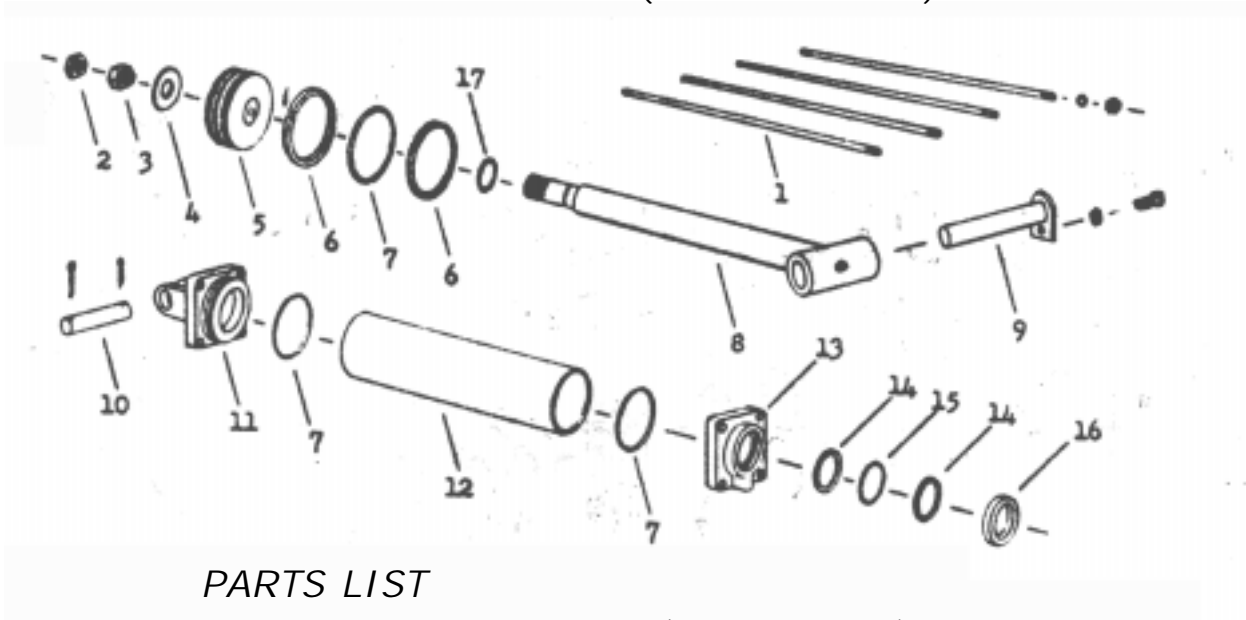


PARTS LIST

Model FEQS-4 Hydraulic Cylinder, 3" x 16"
 Model B-11 Scraper (Used up to serial no. 2628)

Key No.	Part No.	Description
1	PMAP-10215	Tie rod 1/2" Lockwasher 1/2" Nut, 1/2" NF
2		Jam nut, 7/8" NF
3		Nut, 7/8" NF
4		Flat washer, 7/8"
5	P4-1900	Piston 3 OD
6	PMAP-R-37	Cast ring 3 OD
7	PMAP-O-37	O-ring 3 OD
8	P13-FEQS-4	Piston rod
9	228	Pin, 1" x 5-1/4" Capscrew, 1/2" x 1 NC Lockwasher, 1/2"
10	230	Pin, 1" x 3-1/2" Cotter, 3/16" x 1-1/2"
11	B1-1900	Base clevis end
12	T1-FEQS-4	Cylinder tube 3 ID
13	G1-1900	Gland
14	PMAP-W-25	Backup washer, 1-3/8" ID
15	PMAP-O-25	O-ring 1-3/8 ID
16	PMAP-S-CP-25	Wiper seal, 1-3/8" ID
17	PMAP-O-15 PMCK-FEQS-4	O-ring, 1 OD Packing kit containing: 2 PMAP-R-37 3 PMAP-O-37 2 PMAP-W-25 1 PMAP-O-25 1 PAMP-S-CP-25 1 PMAP-O-15

HYDRAULIC CYLINDER (HIGH PRESSURE)

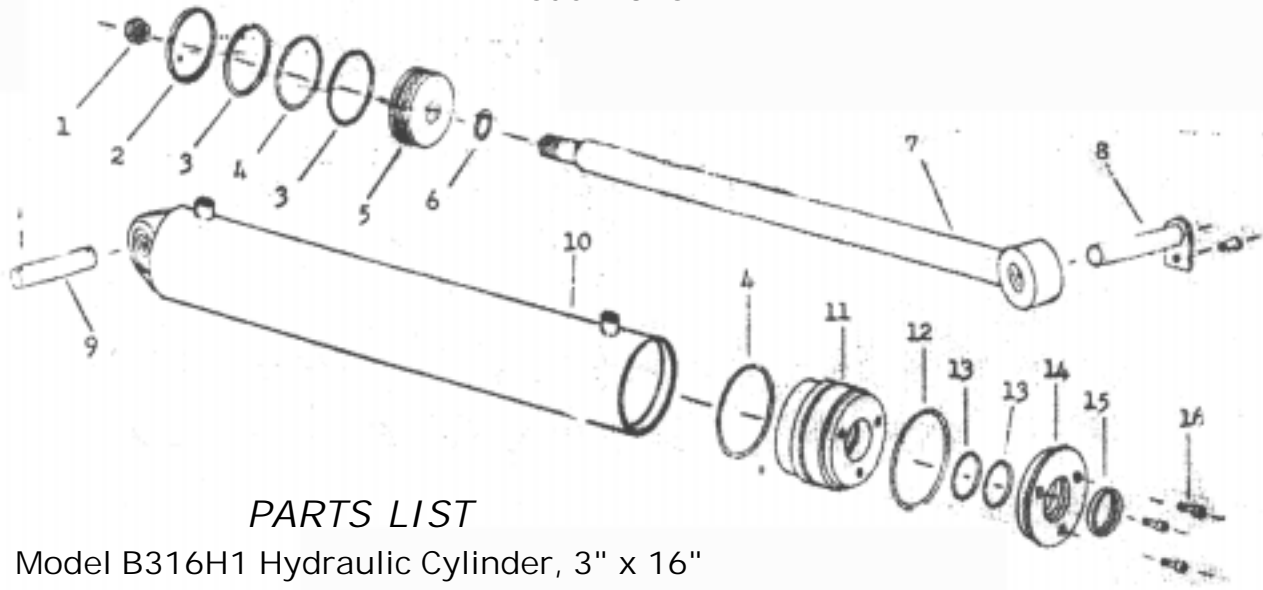


PARTS LIST

Model FEQS-5 Hydraulic Cylinder, 2" x 16" (High Pressure)
 Model B-11 Scraper (Used up to serial no. 2628)

Key No.	Part No.	Description
1	PMSP-10207	Tie rod 1/2" Lockwasher 1/2" Nut, 1/2" NF
2		Jam nut, 3/4" NF
3		Nut, 3/4" NF
4		Flat washer, 3/4"
5	P4-700	Piston 2 OD
6	PMAP-R-29	Cast ring 2 OD
7	PMAP-O-29	O-ring 2 OD
8	P13-FEQS-5	Piston rod
9	228	Pin, 1" x 5-1/4" Capscrew, 1/2" x 1 NC Lockwasher, 1/2"
10	230	Pin, 1" x 3-1/2" Cotter, 3/16" x 1-1/2"
11	B1-700	Base clevis end
12	T1-FEQS-5	Cylinder tube 2 ID
13	G1-700	Gland
14	PMAP-W-21	Backup washer, 1-1/8" ID
15	PMAP-O-21	O-ring 1-1/8 ID
16	PMAP-S-CP-21	Wiper seal, 1-1/8" ID
17	PMAP-O-13	O-ring gasket, 7/8" OD
	PMCK-FEQS-5	Packing kit containing: 2 PMAP-R-29 3 PMAP-O-29 2 PMAP-W-21 1 PMAP-O-21 1 PAMP-S-CP-21 1 PMAP-O-13

HYDRAULIC CYLINDER
3" x 16"
Model B316H1

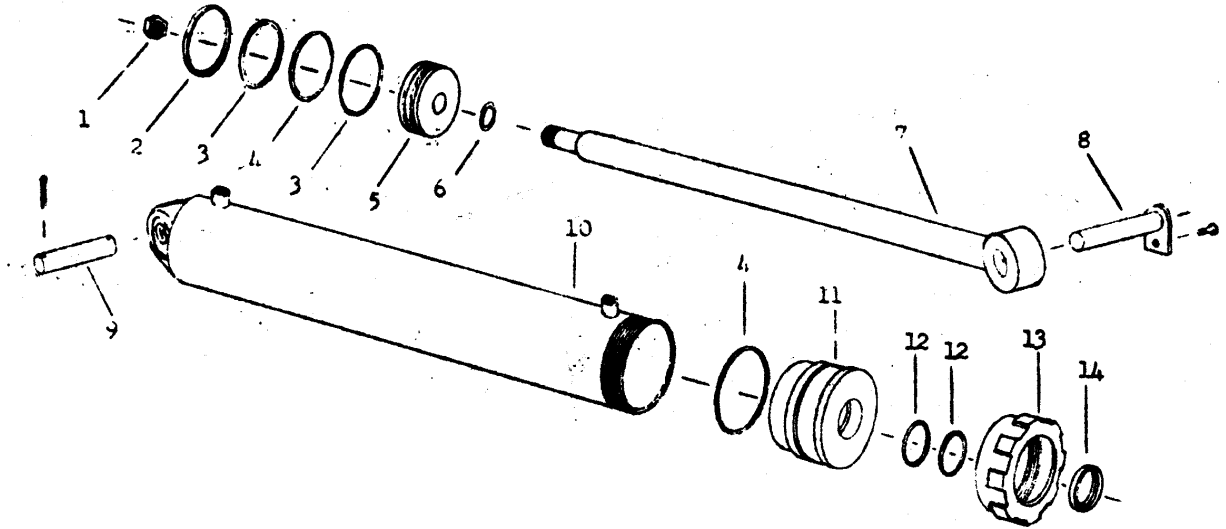


PARTS LIST

Model B316H1 Hydraulic Cylinder, 3" x 16"
Model B-11 Scraper (Used on serial no. 2629 and up)

Key No.	Part No.	Description
1	B22H05	Piston nut
2	B11H01	Cast iron piston ring, 3 OD
3	B11H02	Piston backup washer, 3 OD
4	B11H03	Piston & static O-ring seal, 3 OD
5	B11H04	Piston, 3 OD
6	B22H10	Piston gasket
7	B22H11	Shaft, 1-1/2"
8	228	Pin, 1 x 5-1/4"
		Capscrew, 1/2" x 1 NC
		Lockwasher, 1/2"
9	3310	Pin, 1" x 4"
		Cotter pin, 3/16" x 1-1/2"
10	B11H05	Barrell assembly
11	B11H06	Head gland
12	B11H07	Retainer ring
13	B22H15	Shaft O-ring seal, 1-1/2" ID
14	B11H08	Head cap
15	B22H17	Wiper seal, 1-1/2" ID
16	B22H18	Socket head capscrew, 1/4" x 1"
	B11H09	Packing kit containing:
		1 B11H01
		2 B11H02
		2 B11H03
		1 B22H10
		1 B11H07
		2 B22H15
		1 B22H17

HYDRAULIC CYLINDER
 2-1/2" x 16"
 Model 2516 DAW



PARTS LIST

Model 2516 DAW (High Pressure) Hydraulic Cylinder, 2-1/2" x 16"
 Model B-11 Scraper (Used on serial no. 2629 and up)

Key No.	Part No.	Description
1	25 DAW-T	Piston nut
2	25 DAW-CR	Cast iron piston ring
3	25 DAW-PB	Piston backup washer
4	25 DAW-P	Piston & static O-ring seal
5	25 DAW-H	Piston
6	25 DAW-S	Piston gasket
7	25 DAW-F	Shaft
8	228	Pin, 1 x 5-1/4"
		Capscrew, 1/2" x 1 NC
		Lockwasher, 1/2"
9	3310	Pin, 1" x 4"
		Cotter pin, 3/16" x 1-1/2"
10	25 DAW-GJ	Barrell assembly
11	25 DAW-E	Head
12	25 DAW-O	Shaft O-ring seal
13	25 DAW-W	Head cap
14	25 DAW-N	Wiper seal
	25 DAW-PK	Packing kit containing:
		1 25 DAW-CR
		2 25 DAW-PB
		2 25 DAW-PB
		1 25 DAW-S
		2 25 DAW-O
		1 25 DAW-N